



The Nexxus is a corrosion resistant bulkhead with a prismatic glass lens. It is available with a range of lamp types and is suitable for low temperature operation (-45°C). For ease of installation and maintenance the fixing points are located outside the restricted breathing enclosure.

Standard Specification		Features
Type of Protection	Ex nR (Restricted Breathing)	Improved light output
ATEX Classification	Group II Category 3 G	Easy control gear replacement
Area Classification	Zone 2 areas to EN 60079-10-1 with installation to EN 60079-14	Fixing points outside restricted breathing enclosure
Certificate	Type Examination Certificate BAS99ATEX3012	High corrosion resistance
Coding	⊕ II 3 G EEx nR Refer to table for T rating and Ambient	Suitable for ceiling or wall mounting
Enclosure	Painted LM6 (AC 44100) aluminium alloy body with prismatic glass lens, silicone rubber gasket and stainless steel fasteners	Through wire or looping as standard
Reflector	High purity anodised aluminium	Prismatic lens
Entry	3 x M20 cable entries	Suitable for low temperature applications
Termination	3 core 6mm ² max. conductor with looping or through wiring 16A max current rating	
Installation	4 x 7mm clearance holes in body fixing channel	
Control Gear	Internal copper/iron ballast with ignitor and PFC correction capacitors as specified	
Relamping	Access via front cover secured by four stainless steel screws	
Burning Position	Universal	
Ingress Protection	IP66/67 to EN 60529	
Electrical Supply	220, 230, 240, 254V 50Hz - 70W 220-240V 50Hz - 50W, 240V 50Hz - CF	
		International Approvals
		ATEX, GOST and CEPPEL

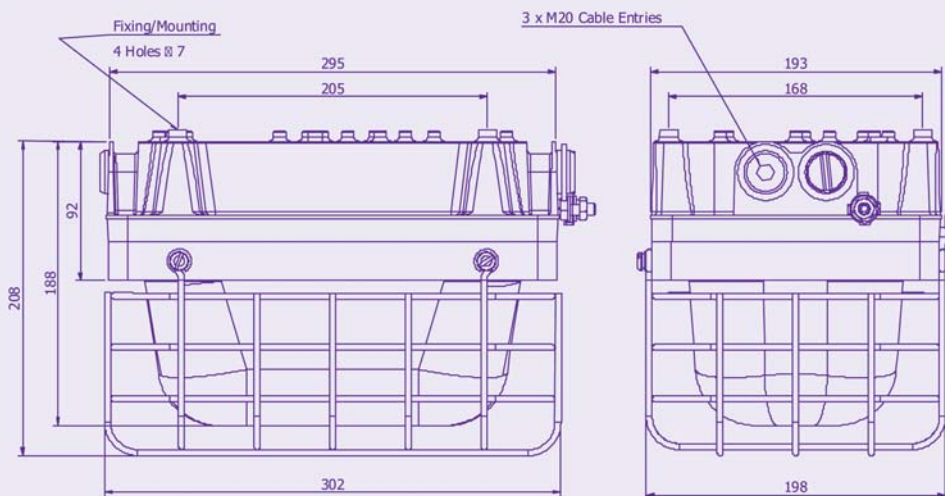
Std. Cat No.	Wattage	Lamp	Lampholder	T Class	Ambient °C	Weight
NEXN/050/HS	50W	HPS	E27	T4	-45 to +35	7.2kg
NEXN/070/MS	70W	HPS/Metal Halide	E27	T4	-45 to +35	7.7kg
NEXN/118/CF	1x18W	CFL	G24q	T5	-20 to +50	6.2kg
NEXN/126/CF	1x26W	CFL	G24q	T5	-20 to +50	6.2kg
NEXN/218/CF	2x18W	CFL	G24q	T5	-20 to +30	6.7kg
NEXN/226/CF	2x26W	CFL	G24q	T5	-20 to +30	6.7kg
NEXN/050/HS/NC*	50W	HPS	E27	150°C T3	-45 to +50	7.2kg
NEXN/070/MS/NC*	70W	HPS/Metal Halide	E27	150°C T3	-45 to +50	7.7kg
NEXN/100/HS/NC*	100W	HPS	E27	150°C T3	-45 to +50	8.2kg

* No power factor correction capacitors fitted.

** Other 'T' ratings and ambients available for lower wattages. Contact sales for details.

Options – Suffix to Catalogue No.

/___	Specific voltage (254V) (50W)	/MF	Mains fuse
/60	60Hz (50W and 70W only)		



Accessories Should be ordered separately

Catalogue Order Code

Wire Guard Assembly

SNEX1-0001

Product design and specifications are subject to change without notice, please check the Chalmit website for latest specifications.

