

STERLING II



Mounting Options

- Ceiling
- Wall
- Suspended
- Pole

International Approvals



The **Sterling II** LED is a high quality, cost effective luminaire, with significant power savings over the conventional equivalent.

Its lightweight and slimline construction make it simple to install and maintain. The luminaire also features high frequency electronic control gear, with optional 3hr battery back up.

Standard Specification

Sterling II LED Linear

Enclosure	GRP with prismatic polycarbonate diffuser and stainless steel retaining clips
Geartray	Aluminium
Entry	2 x 20mm diameter clearance holes
Termination	4 core 4mm ² max conductor with looping and through wiring 16A rating
Installation	Two clearance holes for M8 fasteners located on rear of body, sealing washers provided
Control Gear	Electronic Driver
Colour Temperature (CCT)	4000K (Neutral White)
Maintenance	Access via diffuser secured by quick release stainless steel clips
Battery	Internal Ni-Cd (6V) (Emergency version only)
Emergency Duration	3 Hours
Ingress Protection	IP65 to EN 60529
Surge Protection	2kV
Electrical Supply	220-240V AC, 50/60Hz

Chalmit[®]**LED
SOLUTIONS**

For Harsh & Hazardous Locations



Features

- ◆ Highly **Energy Efficient**
- ◆ Lightweight and **slimline construction**
- ◆ **80,000** maintenance free hours at 25°C (L70)

Product design and specifications are subject to change without notice. Please check the Chalmat website for latest specifications.
www.chalmat.com



MADE IN BRITAIN

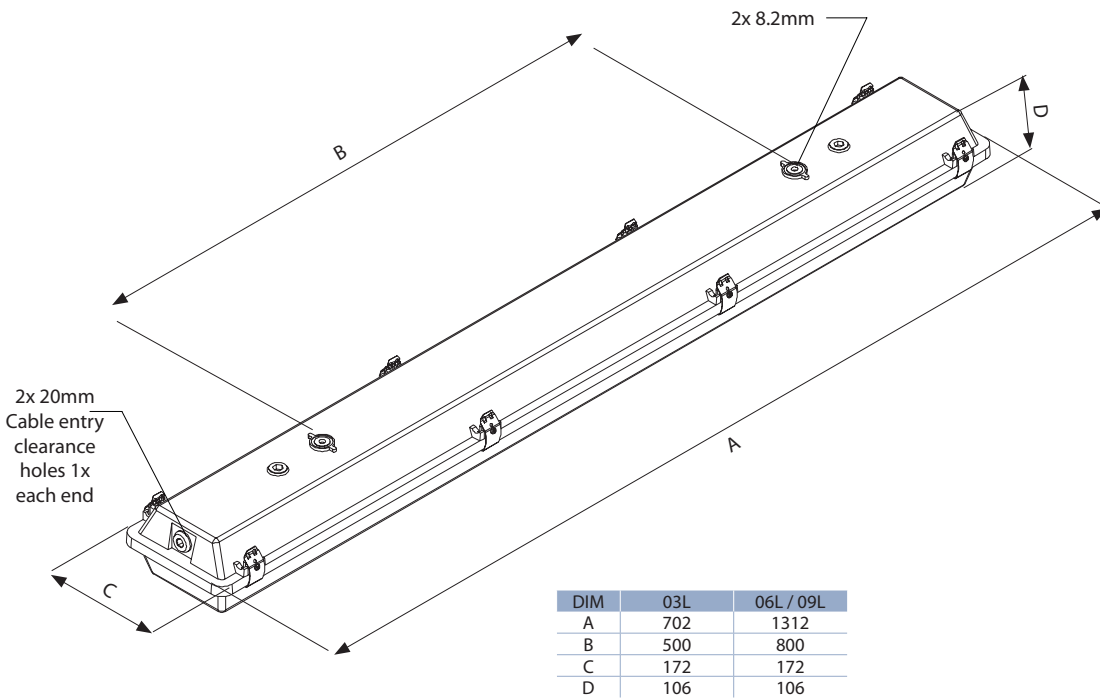
Std. Cat No.	Delivered Output	Power Consumption	Ambient °C	Weight
ST2I/03L/LE	2959 lm	27W	-20 to +45	2.8kg
ST2I/06L/LE	6235 lm	53W	-20 to +45	5.0kg
ST2I/09L/LE	9385 lm	76W	-20 to +45	5.2kg
ST2I/03L/LE/EM	2959 lm	29W	-20 to +45	3.0kg
ST2I/06L/LE/EM	6235 lm	55W	-20 to +45	5.5kg
ST2I/09L/LE/EM	9385 lm	78W	-20 to +45	5.7kg

Options - Suffix to Catalogue No.

/OD	Opaque polycarbonate diffuser	/SRG	Surge Protection (20kA and 10kV)
/HT	High temperature version to +55°C (note that lumen output will reduce)		

Accessories *Accessories should be ordered separately*

	Order Code
Pole mounting bracket assembly (38/42 diameter poles)	SPOL4-100004
Pole mounting bracket assembly (48/52 diameter poles)	SPOL4-100005
Pole mounting bracket assembly (58/62 diameter poles)	SPOL4-100006
Hook type ceiling bracket assembly	S3004-100003
Ceiling bracket assembly	S3004-100001
Flush wall mounting bracket assembly (30° luminaire rotation)	S3004-100004
18W wall mounting outreach bracket (use with SPOL4-100004)	NPRO4-0008
36W wall mounting outreach bracket (use with SPOL4-100004)	NPRO4-0012



LED SOLUTIONS

For Harsh & Hazardous Locations



Harsh & Hazardous