

The **Nevis LED** delivers an instant bright white light equivalent to a 70W HPS. Designed for low profile applications, the luminaire can be mounted on walls, handrails and ceilings as a wellglass making it ideal for walkways or restricted height areas.

A side mounted terminal chamber allows for flush mounting and ease of installation. Its excellent temperature range of -50°C to +55°C makes it a global lighting solution providing high quality lighting at extreme temperatures.

Mounting Options

- Ceiling
- Wall
- High Bay
- Pole/Stanchion
- Bulkhead
- Wellglass

International Approvals



Standard Specification

Nevis LED Bulkhead

Enclosure	Aluminium alloy LM6 to BS 1490 (AC44100) All fastenings A4 stainless steel Toughened glass dome cover
Entry	2x M20 cable entries
Termination	3 core 6mm ² max. conductor with looping
Installation	Flush mounting bracket
Control Gear	Electronic Driver
Colour Temperature (CCT)	5650K (Cool White)
Maintenance	Access via hinged front glass cover assembly
Ingress Protection	IP66 to EN 60529
Surge Protection	4kV
Electrical Supply	100-277V AC 50/60 Hz 110-390V DC

Chalmit®

**LED
SOLUTIONS**

For Harsh & Hazardous Locations



Features

- ◆ **Lower power consumption** than HID lamps
- ◆ Low temperature applications **to -55°C**
- ◆ **Up to 60,000 maintenance free hours** 70% initial lumens
- ◆ Highly **Energy Efficient**
- ◆ **Compact** construction
- ◆ **IP68** version available

www.chalmit.com

Product design and specifications are subject to change without notice. Please check the Chalmers website for latest specifications. www.chalmit.com

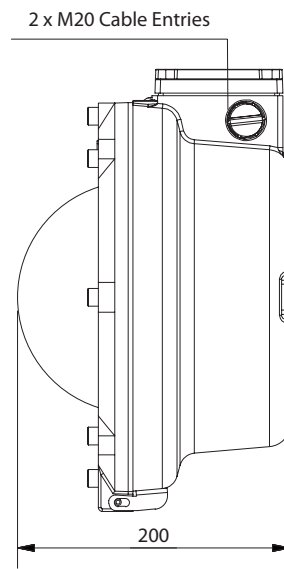
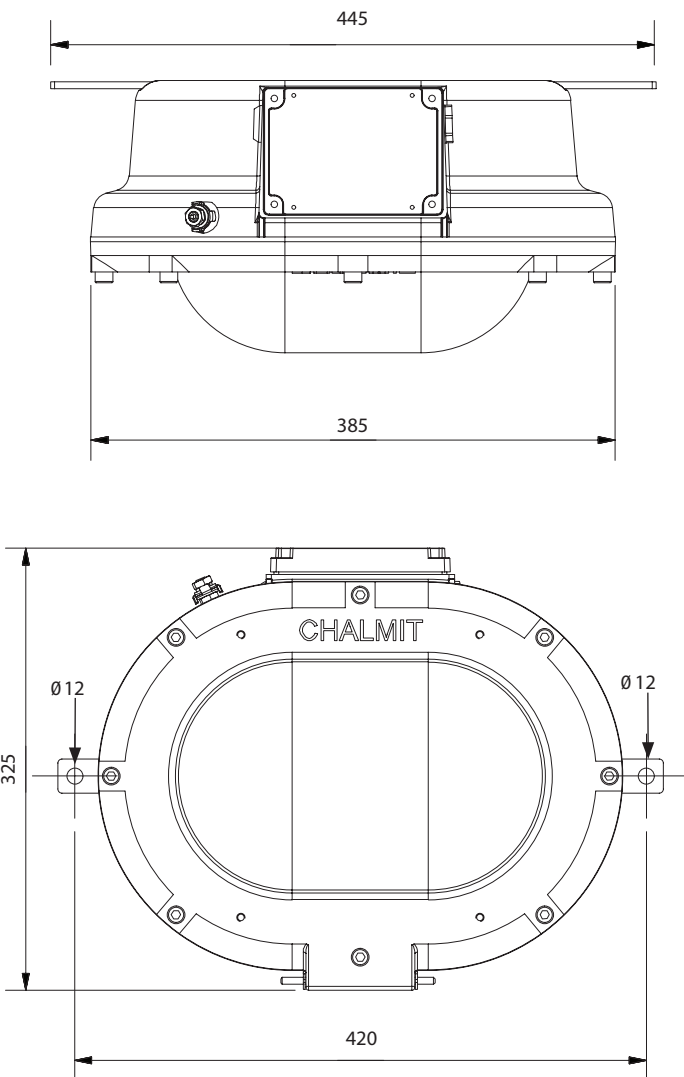
Std. Cat No.	Delivered Output	Power Consumption	Ambient °C	Weight
NEVI/052/LE	4058 lm	52W	-55 to +55	12.5kg

Options - Suffix to Catalogue No.			
/M25	M25 Cable entries	/P	PTFE coating
/SP	IP68 version (1m for 24 hours*) (single entry without looping)	/3-4NPT	3/4" NPT entries
/EP	Painted		

*Other depths available

Accessories *Accessories should be ordered separately*

	Order Code
Pole mounting bracket assembly (38-50mm diameter poles)	SNEV1-0001
Wire Guard	SNEV1-0002
Hand rail mounting bracket assembly	SNEV4-0003



LED SOLUTIONS
 For Harsh & Hazardous Locations



Harsh & Hazardous