

ASSEMBLY INSTRUCTIONS FOR 1 1/2" IPS COMPRESSION OUTLETS

STEEL COMPRESSION END

1. Follow your company's procedures for shutting off gas prior to installing compression outlet on live services.
2. Cut pipe ends square and deburr O.D. Clean thoroughly to ensure there is no dirt, grease, oil, etc. on O.D. or I.D. of pipe.
3. Loosen compression nut until seal ring is no longer compressed.
4. Stab pipe into outlet until it bottoms in coupling.

IMPORTANT

Pressure Rating: Non Pressure Rated

Operating Temperature: -20 to 140° F

Material: PVC

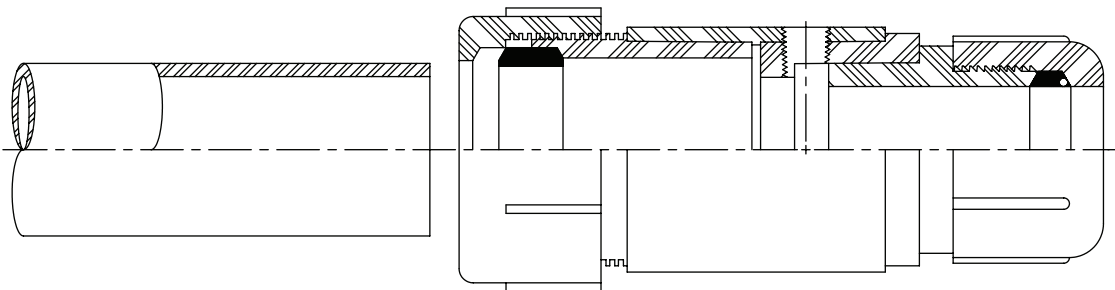


Figure 1

5. Tighten compression nut until it shoulders against the body of the outlet. **Do not over tighten.** See figure 2.

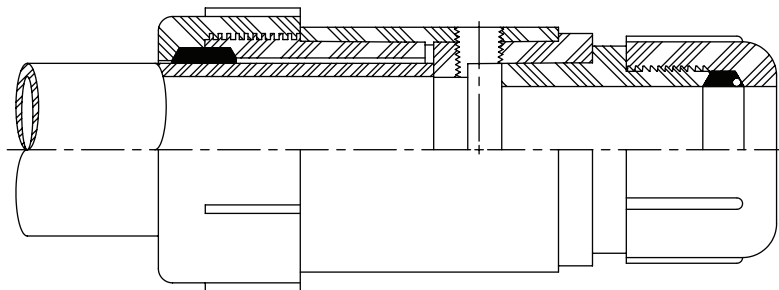


Figure 2

(SEE BACK OF THIS SHEET FOR PE COMPRESSION ASSEMBLY INSTRUCTIONS)

ECN 2620 REV "B" 07/22/14

PLASTIC COMPRESSION END

1. Cut pipe ends square, deburr outside and inside, clean thoroughly to assure there is no dirt, grease, oil, etc. on assembly area of pipe.
2. Loosen compression nut until seal ring is no longer compressed. Then insert pipe through fitting (Figure 3).

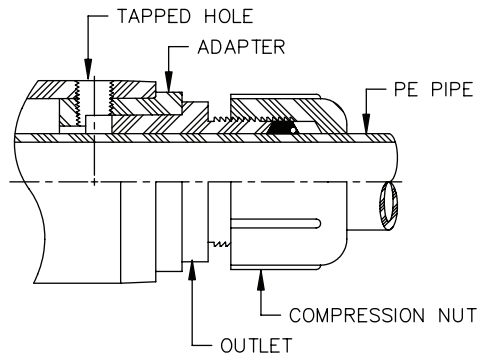


Figure 3

3. Tighten compression nut until it shoulders against the outlet. **DO NOT OVER TIGHTEN.** (Figure 4)

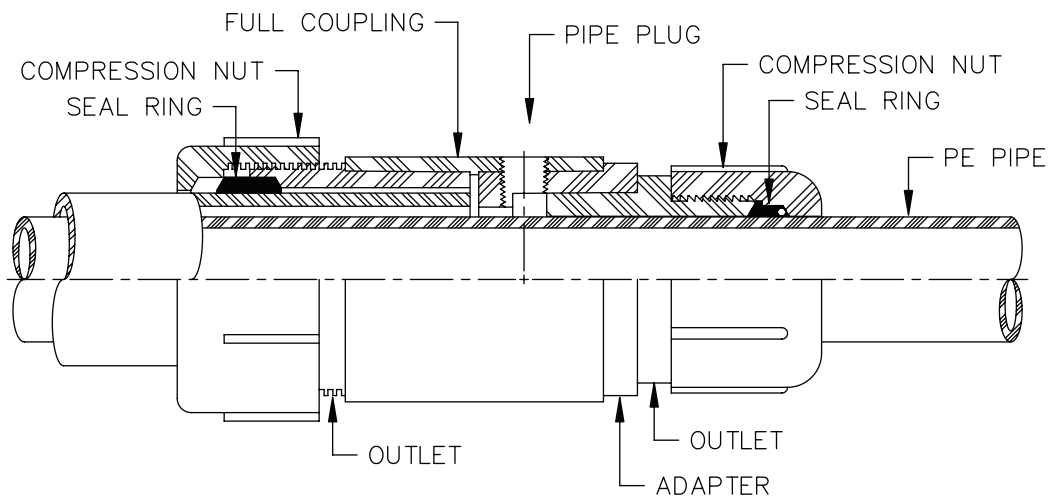


Figure 4