

INSTALLATION INSTRUCTIONS

CONDUCTIVE COMPRESSION X PE COMPRESSION COUPLINGS

P/N'S 9940-00-0017-00, 9940-00-0035-00, 9940-99-0033-00,
9940-99-0036-00, 9940-99-0041-00 & 9940-99-0044

IMPORTANT
PE Compression end for use on:
 Polyethylene (PE) gas pipe meeting
 the requirements of ASTM D 2513

Pressure Rating: Designed to meet or
 exceed pressure rating of PE pipe per
 49 CFR Part 192 and ASTM D 2513

Operating Temperature: -20 to 140° F

Material: Carbon Steel

CONDUCTIVE COMPRESSION END (3/4" IPS & LARGER)

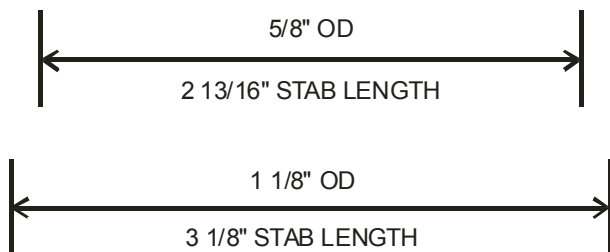
1. CLEAN METALLIC PIPE ENDS THOROUGHLY. REMOVE ANY COATINGS, DIRT, ETC.
2. LOOSEN COMPRESSION NUT AND INSERT PIPE UNTIL IT BOTTOMS IN COUPLING. PIPE MISALIGNMENT SHALL BE NO MORE THAN 3 1/2°.
3. TIGHTEN CONDUCTIVE COMPRESSION NUT TO THE TORQUE VALUES LISTED.

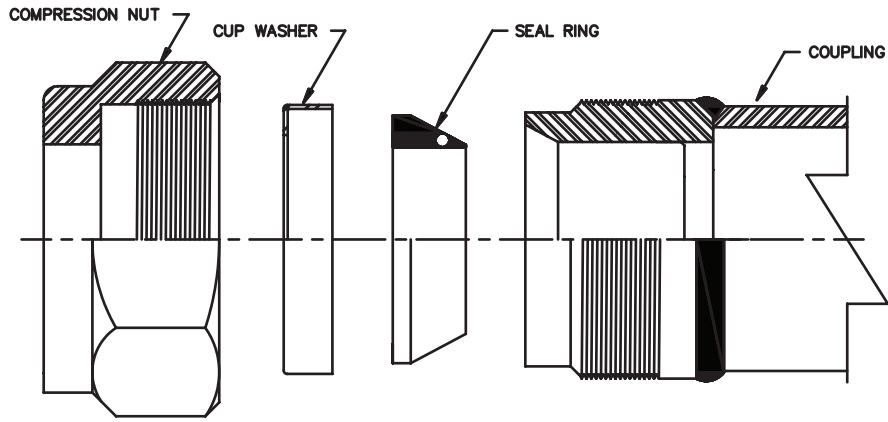
| Size | Torque Ftlbs | Metallic Pipe Pullout Resistance |
|------------|--------------|----------------------------------|
| 3/4" IPS | 120-140 | 575 lbs |
| 1" IPS | 120-140 | 900 lbs |
| 1 1/4" IPS | 280-300 | 1,000 lbs |

NOTE: THE CONDUCTIVE COMPRESSION END IS NOT A FULL RESTRAINT JOINT. WHERE PIPE PULLOUT COULD OCCUR, THE PIPE JOINT MUST BE ANCHORED.

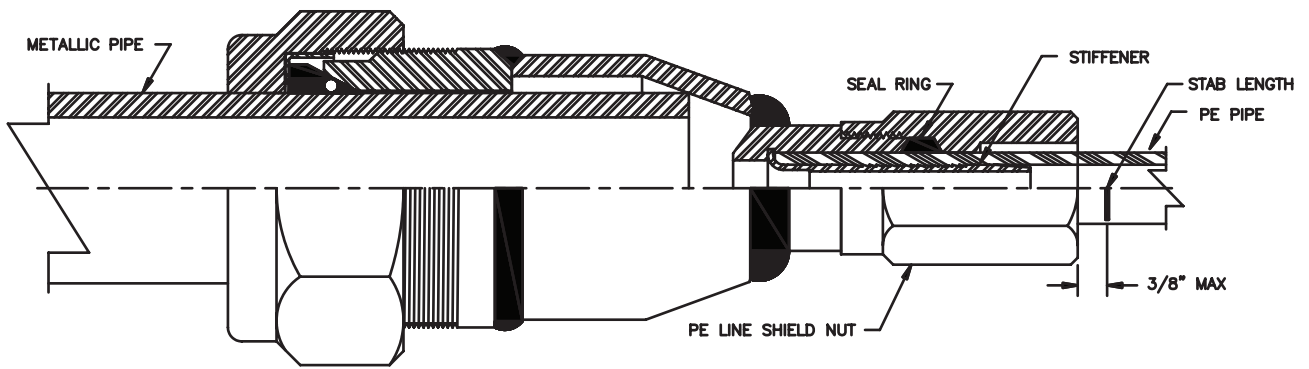
PE COMPRESSION END

4. VERIFY THAT THE COUPLING IS THE CORRECT SIZE FOR THE POLYETHYLENE (PE) PIPE. VERIFY THE SDR (OR WALL THICKNESS) OF THE PIPE MATCHES THE SDR (OR WALL THICKNESS) STAMPED ON THE END OF THE STIFFENER.
5. CUT PE PIPE ENDS SQUARE, DEBURR INSIDE AND OUTSIDE, CLEAN THOROUGHLY TO ASSURE THERE IS NO DIRT, GREASE, OIL, ETC. ON ASSEMBLY AREA OF PIPE.
6. MARK STAB LENGTH ON PE PIPE (SEE EXAMPLES FOR CORRECT PIPE OR TUBING SIZE AND CORRESPONDING STAB LENGTH).
7. LOOSEN COMPRESSION NUT AND INSERT PE PIPE UNTIL IT BOTTOMS IN COUPLING.
8. TIGHTEN PE COMPRESSION NUT UNTIL IT BOTTOMS ON SHOULDER (METAL TO METAL). LINE MARKED FOR STAB LENGTH SHOULD BE NO MORE THAN 3/8" FROM FACE OF NUT, IF NOT, REASSEMBLE.
9. TO ASSURE PROPER ASSEMBLY AND TO COMPLY WITH 49 CFR 192 SUBPART J—TEST REQUIREMENTS, THE JOINT SHALL BE LEAK TESTED.

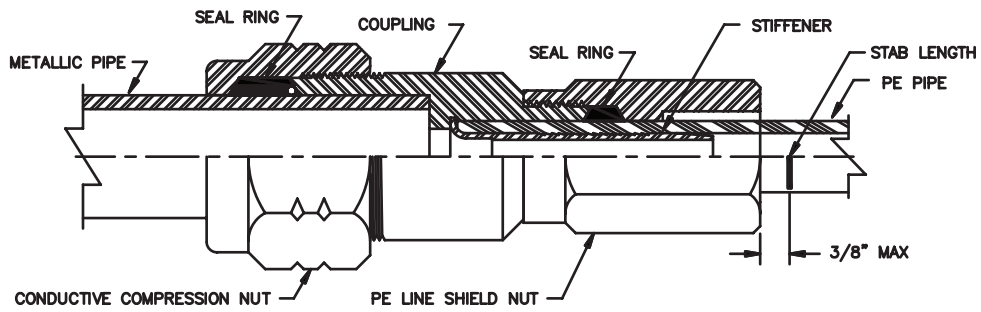




ORDER OF PARTS FOR 1 1/4" IPS PE COMPRESSION END



1 1/4" IPS CONDUCTIVE X 1/2" CTS (5/8" OD) PE COMPRESSION



3/4" IPS & 1" IPS CONDUCTIVE X 1/2" CTS (5/8" OD) PE COMPRESSION