

INSTALLATION INSTRUCTIONS CONDUCTIVE COMPRESSION X PE COMPRESSION COUPLINGS

P/N 9940-99-0043-00

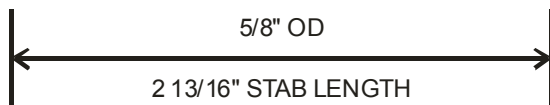
IMPORTANT
PE Compression end for use on:
 Polyethylene (PE) gas pipe meeting the requirements of ASTM D 2513

Pressure Rating: Designed to meet or exceed pressure rating of PE pipe per 49 CFR Part 192 and ASTM D 2513

Operating Temperature: -20 to 140° F

Material: Carbon Steel

Size	Metallic Pipe Pullout Resistance
5/8" OD	2,000 lbs



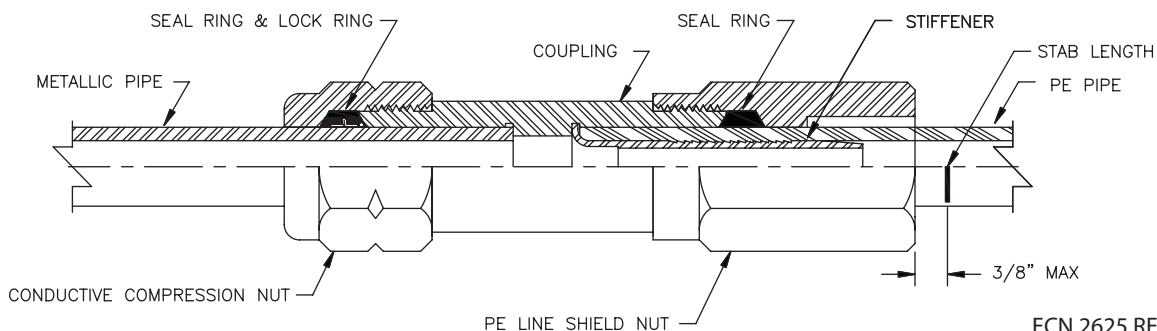
CONDUCTIVE COMPRESSION END

1. CLEAN METALLIC PIPE ENDS THOROUGHLY. REMOVE ANY COATINGS, DIRT, ETC.
2. LOOSEN COMPRESSION NUT AND INSERT PIPE UNTIL IT BOTTOMS IN COUPLING.
3. TIGHTEN CONDUCTIVE COMPRESSION NUT UNTIL IT BOTTOMS ON SHOULDER (METAL TO METAL).

NOTE: THE CONDUCTIVE COMPRESSION END IS NOT A FULL RESTRAINT JOINT. WHERE PIPE PULLOUT COULD OCCUR, THE PIPE JOINT MUST BE ANCHORED.

PE COMPRESSION END

4. VERIFY THAT THE COUPLING IS THE CORRECT SIZE FOR THE POLYETHYLENE (PE) PIPE. VERIFY THE SDR (OR WALL THICKNESS) OF THE PIPE MATCHES THE SDR (OR WALL THICKNESS) STAMPED ON THE END OF THE STIFFENER.
5. CUT PE PIPE ENDS SQUARE, DEBURR INSIDE AND OUTSIDE, CLEAN THOROUGHLY TO ASSURE THERE IS NO DIRT, GREASE, OIL, ETC. ON ASSEMBLY AREA OF PIPE.
6. MARK 2 13/16" STAB LENGTH ON PE PIPE.
7. LOOSEN COMPRESSION NUT AND INSERT PE PIPE UNTIL IT BOTTOMS IN OUTLET.
8. TIGHTEN PE COMPRESSION NUT UNTIL IT BOTTOMS ON SHOULDER (METAL TO METAL). LINE MARKED FOR STAB LENGTH SHOULD BE NO MORE THAN 3/16" FROM FACE OF NUT, IF NOT, REASSEMBLE.
9. TO ASSURE PROPER ASSEMBLY AND TO COMPLY WITH 49 CFR 192 SUBPART J—TEST REQUIREMENTS, THE JOINTS SHALL BE LEAK TESTED.



ECN 2625 REV "E" 08/29/14