

1521 Style Steel Safe-T Valve Service Tee Installation Instructions

Weld Inlet x Compression Outlet for 1 1/4" IPS PE Pipe

1. Verify that the compression outlet on the service tee is the correct size for the polyethylene (PE) pipe. Verify the SDR (or wall thickness) of the pipe matches the SDR (or wall thickness) stamped on the end of the stiffener.
2. Remove the pipe cap, the valve stem, outlet seal ring, cup washer and compression nut from the service tee and place in the plastic bag in which the service tee was shipped.
3. Clean the main of all coatings, rust, dirt, etc., in the area where the service tee is to be welded onto the main.
4. Weld service tee to main per your company's welding procedures.
5. When the outlet is cool to the touch, make the service connection. See other side for outlet assembly instructions.
6. To assure proper assembly and to comply with 49 CFR 192 Subpart J—Test requirements, the joint shall be leak tested.
7. Using proper size adapters, secure control chamber of gate valve to tee.

Body Size	Adapter #
3/4" IPS	23-7317-02
1" IPS	23-7317-01
1 1/4" IPS	23-7317-00

8. For drilling operation, refer to drilling machine manufacturer's instructions and your companies qualified drilling procedures. Drilling machines such as TD-101 and TD-12 have been used with Continental Safe-T Valve Tees.
9. After the drilling operation has been completed, install the valve stem in the tee using CI pn# 23-7216-00 insertion adapter or equal. This insertion adapter has been designed to work with the TDW Speed taper.
10. After the valve stem has been installed into the tee, remove the gate valve and size adapter.
11. Apply thread sealant and install pipe cap leak tight.

IMPORTANT

For use on:

Polyethylene (PE) gas pipe meeting the requirements of ASTM D 2513

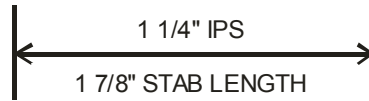
Pressure Rating: Designed to meet or exceed pressure rating of PE pipe per 49 CFR Part 192 and ASTM D 2513

Operating Temperature: -20 to 140° F

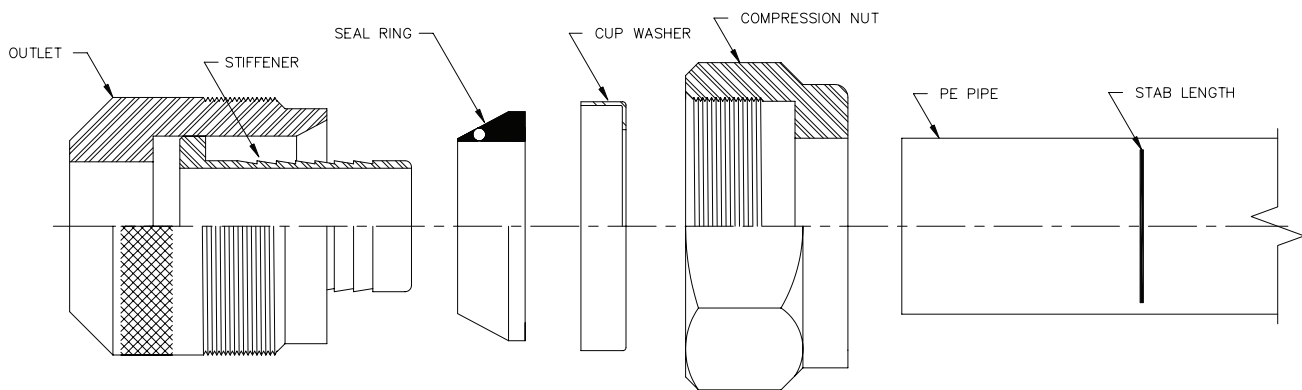
Material: Carbon Steel

Compression Outlet for 1 1/4" IPS PE Pipe Installation Instructions

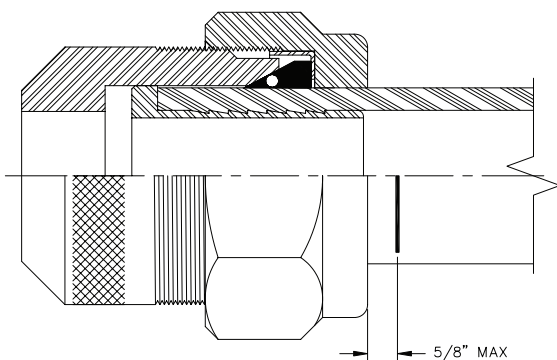
1. Install the seal ring, cup washer and compression nut onto the outlet. Do not tighten the compression nut.
2. Cut polyethylene pipe end square, deburr inside and outside, clean thoroughly to assure there is no dirt, grease, oil, etc. on assembly area of pipe.
3. Mark stab length on pipe (see example for correct pipe or tubing size and corresponding stab length).



4. Insert the polyethylene pipe through the compression nut until it bottoms in the outlet.
5. Tighten compression nut to approximately 90 ft. lbs. The stab length line should be no more than 5/8" from face of the compression nut. (See below)
6. If the stab length line is more than 5/8" from the face of the compression nut, disassemble the joint and repeat steps 1 through 5.



ORDER OF PARTS FOR 1 1/4" IPS PE COMPRESSION OUTLET



NOTE: It is advisable to limit shear at main connections. In this regard, your company's policies should be followed. For further information, reference; ASTM D 2774 Standard Practice for Underground Installation of Thermoplastic Pressure Piping; Code of Federal Regulations, Title 49, Transportation Part 192; AGA Plastic Pipe Manual and/or The Guidance Manual for Operators of Small Gas Systems by the U.S. Department of Transportation.