



Continental Industries

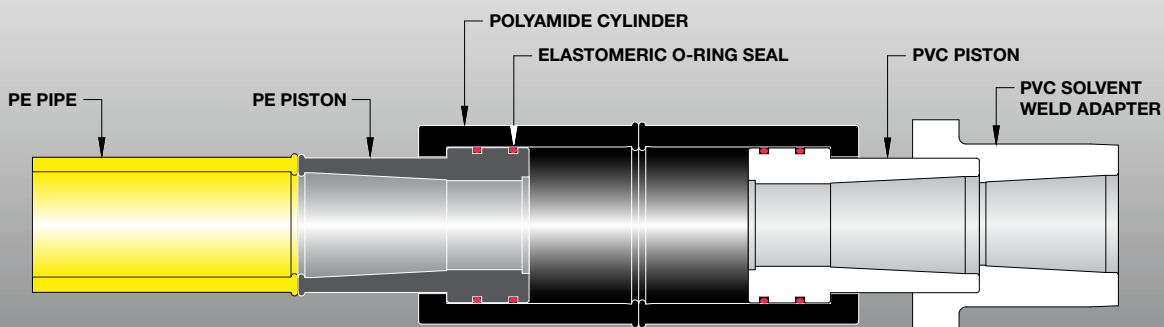
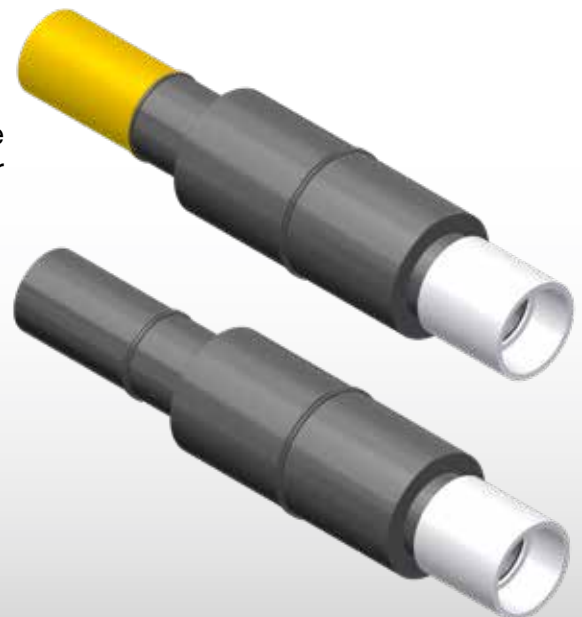
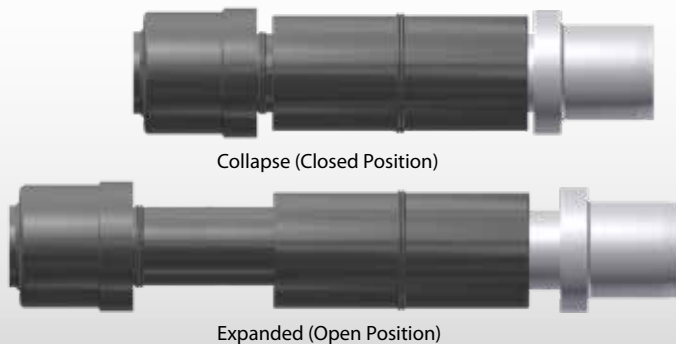
THE SCOPE[®] Expandable Repair Joint

Call it a pipe stretcher if you'd like. We call it The Scope[®]—the new, safe solution for quicker and easier repairs and main extensions, exclusively from Continental!

The innovative design of The Scope[®] compresses to fit a removed section of piping. Just put it in place and extend it for the final connection. Think of it! You can now enjoy great savings in time, labor and money with each repair, while delivering a greater margin of safety for installers and long-term reliable service!

Furthermore, The Scope[®] provides a method to transition from PE to PVC. This is the only PVC transition that does not require a compressive force on the PVC pipe.

Available in a variety of sizes. Contact Continental today for more information about The Scope[®]—the closest thing to a pipe stretcher you'll ever find.



Note: ASTM D2513 and ASTM F2817 "Poly (Vinyl Chloride) (PVC) Gas Pressure Pipe and Fittings for Maintenance or Repair" requires solvent cements to meet ASTM D2564.

Contact the IPS Corporation for more information on Weld-On[®] Cements and Primers that meet this specification.
IPS[®] Corporation, 455 W. Victoria Street, Compton, CA 90220, Technical Support (877) 477-8327

ECN 2625 REV "B" 08/14

0000-99-1060-00



1-800-558-1373 or FAX 1-800-788-1668 • Visit www.conind.com



Gas Connectors & Accessories

Continental Industries

THE SCOPE® Expandable Repair Couplings (PE Stab X PVC)

| PE SIZE | WALL | PVC SOCKET | LENGTH | PART NUMBER (3408/4710) | ACTUAL REPAIR LENGTH |
|--------------------|---------------|------------|--------|----------------------------|----------------------|
| 1/2" CTS (5/8" OD) | .090 | 3/8" IPS | 14" | 0457-55-0711-34 | 13 1/2" to 14" |
| | | 1/2" IPS | 14" | 0457-55-0712-34 | 13 1/2" to 14" |
| | | 3/4" IPS | 14" | 0457-55-0713-34 | 13 1/2" to 14" |
| 1" CTS (1 1/8" OD) | .099/.101 | 3/8" IPS | 14" | 0857-55-0711-34 | 13 1/2" to 14" |
| | | 1/2" IPS | 14" | 0857-55-0712-34 | 13 1/2" to 14" |
| | | 3/4" IPS | 14" | 0857-55-0713-34 | 13 1/2" to 14" |
| 3/4" IPS | SDR-11 (.095) | 1" IPS | 14" | 0857-55-0714-34 | 13 1/2" to 14" |
| | | 3/8" IPS | 14" | 1357-55-0711-34 | 13 1/2" to 14" |
| | | 1/2" IPS | 14" | 1357-55-0712-34 | 13 1/2" to 14" |
| | | 3/4" IPS | 14" | 1357-55-0713-34 | 13 1/2" to 14" |
| 1" IPS | SDR-11 (.119) | 1" IPS | 14" | 1357-55-0714-34 | 13 1/2" to 14" |
| 1 1/4" IPS | SDR-10 (.166) | 1" IPS | 14" | 1457-55-0714-34 | 13 1/2" to 14" |
| | | 1 1/4" IPS | 14" | 1557-55-0715-34 | 13 1/2" to 14" |
| | SDR-11 (.151) | 1" IPS | 14" | 1557-55-0714-34 | 13 1/2" to 14" |
| | | 1 1/4" IPS | 14" | 9957-55-0003-00 | 13 1/2" to 14" |
| 2" IPS | SDR-11 (.216) | 1 1/4" IPS | 14" | 9957-55-0001-00 | 13 1/2" to 14" |
| | | 1 1/2" IPS | 14" | 1757-55-0715-34 | 13 1/2" to 14" |
| | | 2" IPS | 14" | 1757-55-0716-34 | 13 1/2" to 14" |
| | | 2 1/2" IPS | 14" | 1757-55-0717-34 | 13 1/2" to 14" |
| | | 3" IPS | 14" | 1757-55-0718-34 | 13 1/2" to 14" |

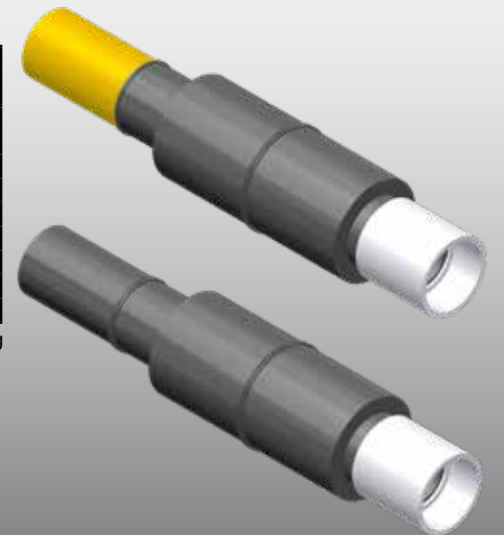


For sizes not listed, contact Continental Industries. Pressure rating—Designed to meet or exceed pressure rating of PE pipe per 49 CFR Part 192 and ASTM D2513. Recommended accessories; Continental's Bladed Chamfering Tool.

THE SCOPE® Expandable Repair Couplings (PE Fusion X PVC)

| PE SIZE | WALL | PVC SOCKET | LENGTH | PART NUMBER (3408/4710) | PART NUMBER (2406/2708) | ACTUAL REPAIR LENGTH |
|------------|---------------|------------|--------|----------------------------|----------------------------|----------------------|
| 1" IPS | SDR-11 (.119) | 3/8" IPS | 14" | 9957-55-0007-00 | 9957-55-0021-00 | 13 1/2" to 14" |
| | | 1/2" IPS | 14" | 9957-55-0012-00 | 9957-55-0022-00 | 13 1/2" to 14" |
| | | 3/4" IPS | 14" | 9957-55-0008-00 | 9957-55-0017-00 | 13 1/2" to 14" |
| | | 1" IPS | 14" | 9957-55-0009-00 | 9957-55-0013-00 | 13 1/2" to 14" |
| 1 1/4" IPS | SDR-10 (.166) | 3/4" IPS | 14" | 9957-55-0023-00 | 9957-55-0019-00 | 13 1/2" to 14" |
| | | 1 1/4" IPS | 14" | 9957-55-0024-00 | 9957-55-0014-00 | 13 1/2" to 14" |
| | SDR-11 (.151) | 1 1/4" IPS | 14" | 9957-55-0010-00 | 9957-55-0015-00 | 13 1/2" to 14" |
| 2" IPS | SDR-11 (.216) | 1 1/2" IPS | 14" | 9957-55-0025-00 | 9957-55-0020-00 | 13 1/2" to 14" |
| | | 2" IPS | 14" | 9957-55-0011-00 | 9957-55-0016-00 | 13 1/2" to 14" |

For sizes not listed, contact Continental Industries. Pressure rating—Designed to meet or exceed pressure rating of PE pipe per 49 CFR Part 192 and ASTM D2513.



ASTM D2513 PVC End Caps

| SIZE | PART NUMBER |
|----------|-----------------|
| 3/8" IPS | 0000-29-2400-00 |
| 3/4" IPS | 0000-29-2377-00 |
| 1" IPS | 0000-29-2374-00 |



1-800-558-1373 or FAX 1-800-788-1668 • Visit www.conind.com