



# LIGHTING








## LIGHTING INDEX





PRODUCT	PAGE NO.	NEMA 4 (or 4X or IP66)	Class I, Div. 2 / Zone 2	Class I, Zone 2 Ex nR	Class II / III Div. 1	Class II / III Div. 2	Class I, Div. 1 C, D / Zone 1	Class I, Div. 1 A, B, C, D / Zone 1	IECEX Zone 1	ATEX Zone 1	IECEX Zone 2	ATEX Zone 2
<b>LED LIGHTING SECTION</b>												
 LAL Series .....	2-7	X	X		X	X					X	X
 LALFP Series .....	8-13											
 LZ2NL/LZ2SL .....	14-15	X	X		X	X						
 HLLX Series .....	16-17	X	X		X	X						
 MBL Series .....	19-23	X	X		X	X						
 VM1L Series .....	24-30	X	X		X	X						
 VM2L & VM4L Series .....	31-37	X	X		X	X				X	X	
 EML Series .....	38-41	X	X		X	X	X					
 EZL Series .....	42-44	X	X		X	X	X					
 EAC/EACH Series .....	45											

PRODUCT	PAGE NO.	NEMA 4 (or 4X or IP66)	Class I, Div. 2 / Zone 2	Class I, Zone 2 Ex nR	Class II / III Div. 1	Class II / III Div. 2	Class I, Div. 1 C, D / Zone 1	Class I, Div. 1 A, B, C, D / Zone 1	IECEX Zone 1	ATEX Zone 1	IECEX Zone 2	ATEX Zone 2
 KFLC Series .....	47-48	X	X		X	X						
 KFL Series .....	49-50	X	X		X	X					X	X
 KFLH Series .....	51-52	X	X		X	X					X	X
 KFL2H Series .....	53-54	X	X		X	X					X	X
 KF1L Series .....	55-56	X	X		X	X	X		X	X	X	X
 KWPL Series .....	57-58											
 NEBS Series .....	60-62											
 EBS Series .....	63-68	X	X		X	X	X					
 LLS2 Series .....	69											
 VSL SERIES .....	70-74	X	X		X							



LIGHTING INDEX






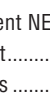






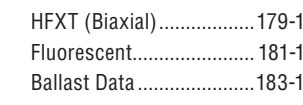



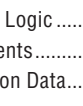








PRODUCT	PAGE NO.	NEMA 4 (or 4X or IP66) Class I, Div. 2 / Zone 2	Class I, Zone 2 Ex nR	Class II / III Div. 1	Class II / III Div. 2	Class I, Div. 1 C, D / Zone 1	Class I, Div. 1 A, B, C, D / Zone 1	IECEx Zone 1	ATEX Zone 1	IECEx Zone 2	ATEX Zone 2
 <b>DVL Series</b> .....	75	X	X	X							
 <b>Fixture Hangers</b> .....	76-79										
 <b>Floodlight Mounts</b> .....	80										
<b>CONVENTIONAL LIGHTING SECTION</b>											
 <b>MB Series</b> .....	82-87	X	X	X	X	X					
Ordering Logic.....	82										
 <b>VQ1F &amp; VQ2F Series</b> .....	88-94	X	X	X	X	X					
 <b>CERTILITE V Series</b> .....	95-154										
Accessories.....	135										
Components.....	136-138										
Dimensions.....	139-142										
Application Data.....	143-152										
Ballast Fuse Kit Data.....	153-154										
 <b>VM1 &amp; VM2</b> .....	102-110										
Ordering Logic.....	102										
35-150W HPS.....	103-106	X	X	X	X	X					
50-175W Metal Halide & MH Pulse.....	107-110	X	X	X	X	X					

PRODUCT	PAGE NO.	NEMA 4 (or 4X or IP66) Class I, Div. 2 / Zone 2	Class I, Zone 2 Ex nR	Class II / III Div. 1	Class II / III Div. 2	Class I, Div. 1 C, D / Zone 1	Class I, Div. 1 A, B, C, D / Zone 1	IECEx Zone 1	ATEX Zone 1	IECEx Zone 2	ATEX Zone 2
 <b>VM3 &amp; VM4 Series</b> .....	111-123										
Ordering Logic.....	111										
50-150W HPS.....	112-115	X	X	X	X	X					
70-250W Metal Halide.....	116-119	X	X	X	X	X					
150-200W Metal Halide Pulse.....	120-123	X	X	X	X	X					
 <b>VM5 Series</b> .....	124-134										
Ordering Logic.....	124										
200-600W HPS.....	125-128	X	X	X	X	X					
250-400W Metal Halide Pulse.....	129-134	X	X	X	X	X					
 <b>EM &amp; EQ</b> .....	155-163										
Ordering Logic.....	155										
Incandescent.....	156	X	X	X	X	X					
13-84W Fluorescent.....	156	X	X	X	X	X					
35-150W HPS.....	157	X	X	X	X	X					
Components.....	158-159										
Ballast Data.....	160										
Dimensions.....	161										
Application Data.....	162-163										
 <b>EZ Series</b> .....	164-173										
Ordering Logic.....	164										
50-400W HPS.....	165	X	X	X	X	X					
70-400W Metal Halide.....	166	X	X	X	X	X					
150-400W Metal Halide Pulse..	167	X	X	X	X	X					
Components.....	168-170										
Dimensions.....	171										
Application Data.....	172-173										












# LIGHTING






## LIGHTING INDEX

PRODUCT	PAGE NO.	Hazardous Location Classifications						PRODUCT	PAGE NO.	Hazardous Location Classifications																						
		NEMA 4 (or 4X or IP66)	Class I, Div. 2 / Zone 2	Class I, Zone 2 Ex nR	Class II / III Div. 1	Class II / III Div. 2	Class I, Div. 1 C, D / Zone 1			Class I, Div. 1 A, B, C, D / Zone 1	IECEx Zone 1	ATEX Zone 1	IECEx Zone 2	ATEX Zone 2	NEMA 4 (or 4X or IP66)	Class I, Div. 2 / Zone 2	Class I, Zone 2 Ex nR	Class II / III Div. 1	Class II / III Div. 2	Class I, Div. 1 C, D / Zone 1	Class I, Div. 1 A, B, C, D / Zone 1	IECEx Zone 1	ATEX Zone 1	IECEx Zone 2	ATEX Zone 2							
 DBF Series.....	174	X	X	X	X			 EZ Flood.....	193-194	X	X						X	 NV2.....	195-197	X	X	X	X									
 LZ Series.....	175-178							 V Series.....	198-205									 Incandescent NEMA 4.....	201-202	X	X											
 LZ2S.....	175	X	X	X	X			 Dimensions.....	203-204										205													
 LZ2N.....	176-178	X	X	X	X			 DV XHL XHLF.....	206			X	X																			
 HFXT (Biaxial).....	179-180	X	X	X	X	X		 NVPI & NVPF.....	207	X				X																		
 Fluorescent.....	181-182	X	X	X	X	X		 E Series.....	208	X		X	X	X	X	X																
 Ballast Data.....	183-184							 VE3Q & VE4Q.....	209-216	X	X	X	X	X				 Ordering Logic.....	210													
 QL Series.....	185							 Components.....	213-215									 Application Data.....	216													
 KF Series.....	186-188	X	X					 NWP.....	217-218	X	X	X	X																			
 Application Data.....	188																															
 KFSS Series.....	189-190	X	X																													
 KWP Series.....	191-192	X	X																													



LIGHTING INDEX

PRODUCT	PAGE NO.	NEMA 4 (or 4X or IP66)	Class I, Div. 2 / Zone 2	Class I, Zone 2 Ex nR	Class II / III Div. 1	Class II / III Div. 2	Class I, Div. 1 C, D / Zone 1	Class I, Div. 1 A, B, C, D / Zone 1	IECEX Zone 1	ATEX Zone 1	IECEX Zone 2	ATEX Zone 2
 DBFE .....	219	X	X		X	X						
 LZ2NE & LZ2SE .....	220	X	X		X	X						
 HFXE .....	221	X	X		X	X	X					
 EEQ .....	222	X	X		X	X	X					
 EBB .....	223-224	X	X		X	X	X					
 ESX .....	225-226	X	X		X	X	X					
 NVS Series .....	227-229	X	X		X	X						
 Fixture Hangers .....	230-233											
 Competative Adapters .....	234-235											

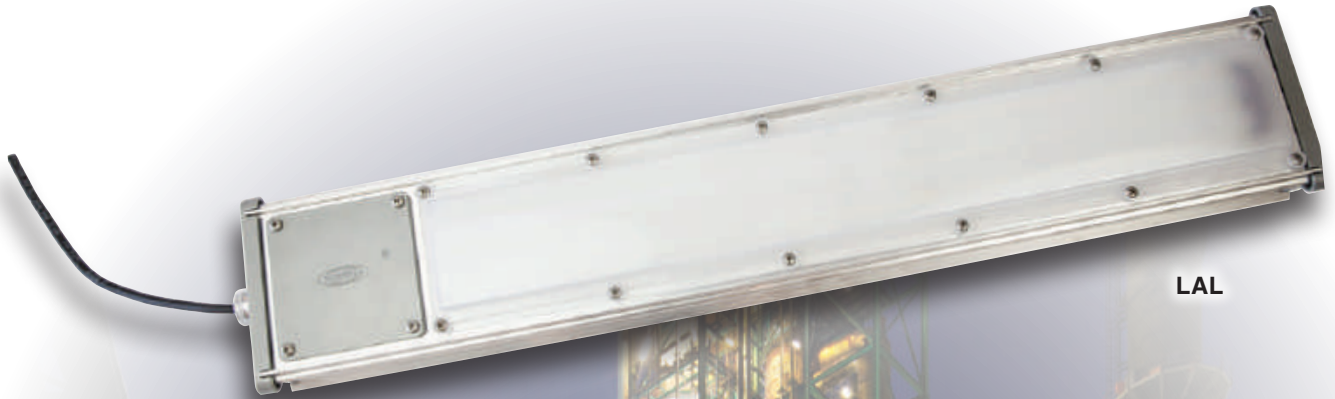
PRODUCT	PAGE NO.	NEMA 4 (or 4X or IP66)	Class I, Div. 2 / Zone 2	Class I, Zone 2 Ex nR	Class II / III Div. 1	Class II / III Div. 2	Class I, Div. 1 C, D / Zone 1	Class I, Div. 1 A, B, C, D / Zone 1	IECEX Zone 1	ATEX Zone 1	IECEX Zone 2	ATEX Zone 2
<b>Victor LIGHTING SECTION</b>												
 TRIDENT .....	236-243								X	X	X	X
Emergency .....	240-243								X	X	X	X
 PATHFINDER .....	244-245								X	X	X	X
 TITAN .....	246-251								X	X	X	X
VL38 .....	246-247								X	X	X	X
VL39 .....	248-249								X	X	X	X
VL147 .....	250-251								X	X	X	X
 VL100 .....	252-253										X	X
 VL64 EQUAL PLUS .....	254-257								X	X	X	X

# LIGHTING

LINEAR LIGHTING



## LINEAR LIGHTING



LAL

LALxE



LALFP



LZ2NL & LZ2SL



HLLX



LAL/LALxE/LALC SERIES

# KILLARK

## LOW PROFILE LINEAR ALUMINUM LED • EXCLUSIVE DESIGN FEATURES

High temperature rated silicone gasketing provides Type 4X & IP66 sealing.



Diffused

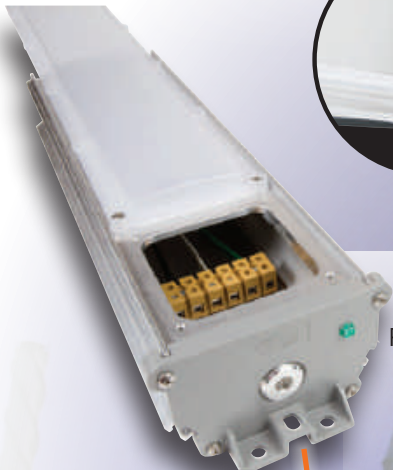


Clear

**2 Lens Choices:**

- Clear for maximum lumens
- Diffused for glare control

Looping Terminal Blocks under Wiring Access Plate(s).



**Optional Through Wiring**

2 Access Plates for feed through wiring



**Battery**

E5, E13 and E26 models include internal Emergency battery systems to 50°C suitability

**Surge**

Standard with internal 20kA/10kA Supplemental Surge Protection

Endcaps standard with 1 x 3/4" hub. 1/2" NPT and M20 available.

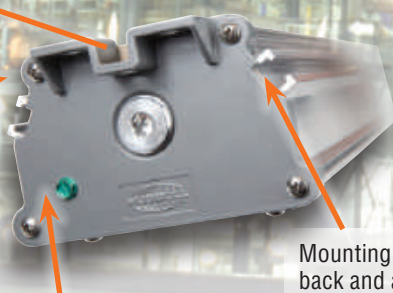


Shown with LAL-SB Height adjustable Swivel Brackets

End Caps include feet for direct ceiling mounting and safety cable connection



Mounting Slots on back and at 45°



**Earth**

External Earth Ground for IECEx requirement

# LIGHTING

LAL/LALxE/LALC SERIES



## LINEAR LED TECHNOLOGY



Segurança  
**NIEx**



**Class I, Div. 2, Groups A, B, C, D**  
**Class I, Zone 2, Groups IIC, IIB, IIA**  
**Class II, Div. 1 & 2, Groups E, F, G**  
**AEx nAII, Ex nAII**  
**Wet Locations**  
**Type 4X**  
**IP66**

Certified - File LR11713

**IECEX Rated**  
**Zone 2 and Zone 21 areas**  
**Ex nA IIC T6 to T3, Gc**  
**Ex tb IIC T95°C Db**  
**Tamb -50°C < Tz < +65°C, IP66**

**IECEX Certificate**  
**QPS 15.0010**

**ATEX Certificate**  
**CML 15ATEX4081X (nA)**  
**&**  
**CML15ATEX3082X (tb)**

**LINEARLITE®\***

\* marca registrada MEXICO

### FEATURES-SPECIFICATIONS

#### Applications

Linear LED Luminaires are designed for installations where moisture, dirt, dust, corrosion and vibration may be present, and Type 3, 4X, IP66 areas where wind, water, snow or high ambients can be expected. They can be used in locations made hazardous by the presence of flammable vapors or gases or combustible dusts as defined by the NEC/CEC/IECEX & INMETRO.

Typical applications include land based oil rigs, offshore oil platforms, dockside installations, chemical and petrochemical processing facilities, sewage treatment plants, garages, storage facilities, tunnels, and grain/food facilities.

**ABS** (American Bureau of Shipping) type approval for use on decks, vessels, platforms, barges, ships and boats. Also suitable for docks and marinas.

#### Compliances

- UL-8750 for LED lighting
- ANSI/UL 1598(A)
- UL-844 Standard for lighting fixtures for hazardous locations, Class I, Division 2; Class II, Divisions 1 and 2; Class III
- CSA C22.2 no. 137-M1981 electric luminaires for use in hazardous locations
- IEC suffix Zone 2/21 to IEC 60079-0, 60079-15, 60079-31 Standards
- Enclosed and gasketed
- Type 3, 4X
- IP66

Supplemental **20KA/10KV Surge Protection** is **standard** (for 120-277 VAC models)  
**10KA/10KV Surge Protection** (for 347-480 VAC)

#### Materials

- Housing – one piece natural finish  $\leq$  .1% copper-free aluminum extrusion
- Endcaps & wiring – Access covers are copper-free ( $\leq$  .4%) aluminum with gray baked powder epoxy-polyester finish, electrostatically applied for complete uniform corrosion resistance.
- External screws are 316 stainless steel
- Lens – Impact resistant polycarbonate lens available in diffuse or clear

#### LAL & LALxE Product Features

- LALxE models have “built-in” battery backup for 90 or 180 minute emergency exit
- Shallow design minimizes profile in work areas with low ceiling heights
- Diffuse Lens Standard to minimize glare; Clear Lens available
- Polycarbonate Single Lens 18W to 60W; Double Lens model 80W & 120W
- Slot Back Design allows multiple mounting access points across length – slots can also be used with 5/16” or 8mm bolts & nuts, 3 housing slots, 1 center back and 2 at 45°.
- Variety of mounting options including swivel brackets, wall, ceiling brackets, or beam clamps
- End Caps each have 2 mounting feet built-in plus a safety strap attachment point

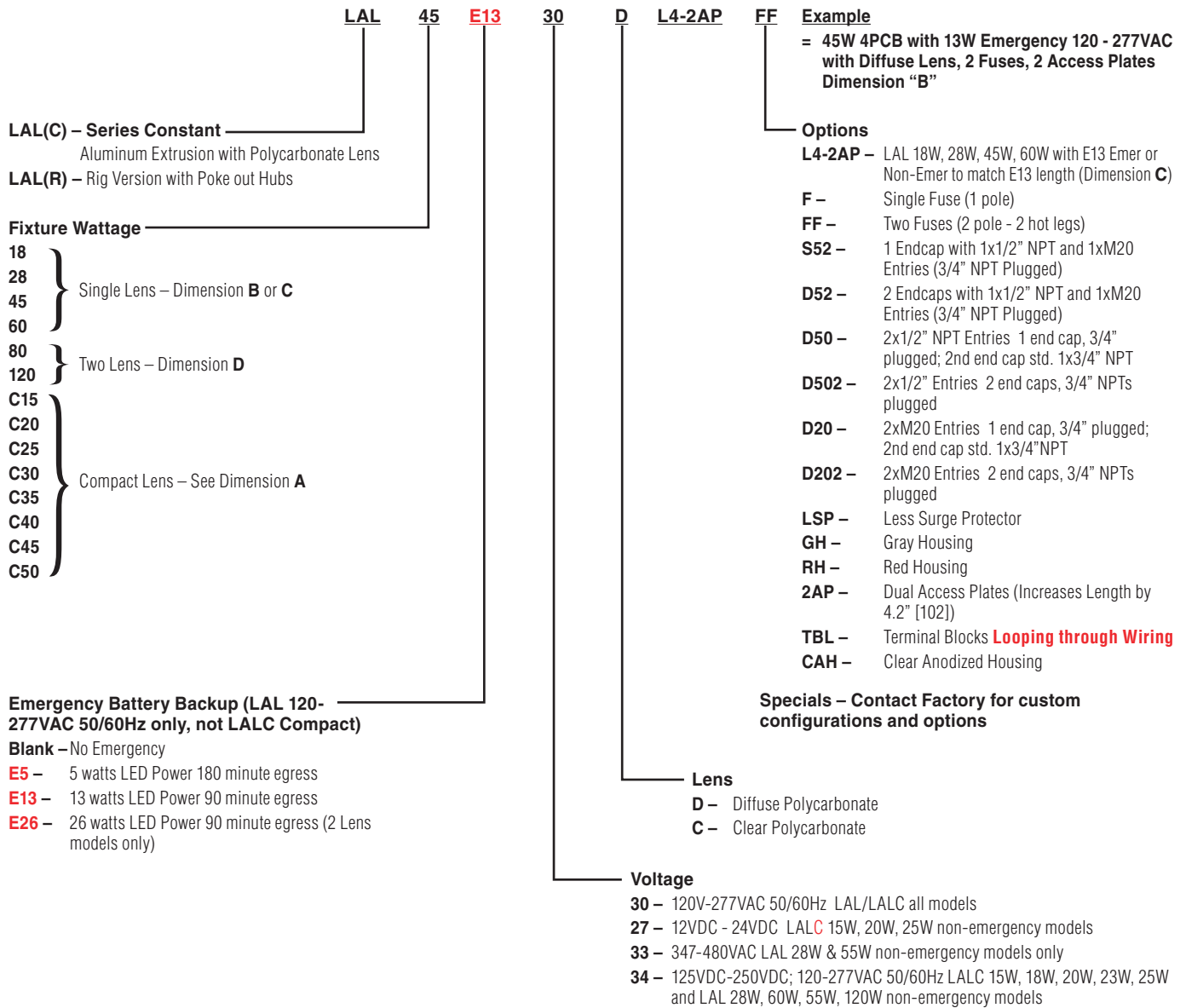
- Standard unit End Caps each have single a 3/4” NPT hub, and fixture is furnished with one 3/4” close-up plug and two 3/4” to 1/2” reducers – provides out of the box 1/2” dead-end to 3/4” feed-through flexibility. Metric openings are available.
- Standard LALs have one wiring Access Plate for easy access to driver leads.

#### LED Features and Standards

- Many Midpower LEDs blend light to simulate fluorescent tubes
- Crisp White Light for Excellent Color Rendering – Chromaticity 5000K (CCT); approx. 70 CRI
- Energy Savings – High lumens per watt
- LED Array Life – 100,000+ hours with 70% initial lumens
- Long Fixture Life – 50,000 - 55,000 maintenance free hours
- Ambient suitability -40°C to 65°C (see tables). **-20°C to 50°C Ambient suitability for Emergency models.**
- Instant On – Including after power interruption
- World Voltage 120 - 277VAC 50/60Hz
- Solder-LESS LED Board Connections – Vibration Resistant



## CATALOG LOGIC



### Energy Savings

LED VS FLUORESCENT WATTAGE & DELIVERED LUMENS						
CATALOG NUMBER	LUMENS	L/W	FLUORESCENT		LUMENS	L/W
LAL1830C	2479	138	40W	1x40W BX	2471	63
LAL2830C	3624	129	55W	1x55W BX	3766	65
LAL4530C	5515	122	56W	2x28T5	4676	71
			64W	2x32T8	4772	80
LAL6030C	7709	128	108W	2x54T5HO	8088	67
			120W	2x60T12HO	6965	56
LAL8030C	11032	138	162W	3x54T5HO	11619	65



# LIGHTING

LAL/LALxE/LALC SERIES

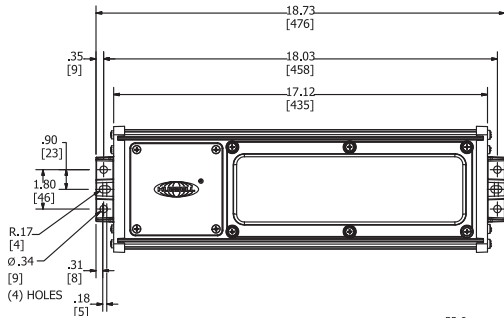


## ORDERING INFORMATION

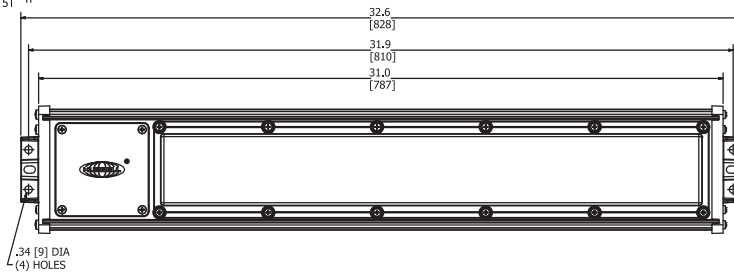
ORDERING INFORMATION AND AMBIENT SUITABILITY							C1D2 ABCD/ ZONE 2 IIC, IIB, IIA			C1D2 GRPS. EFG SIMULTANEOUS			C2D1 GRPS. EFG			IEC ZONE 2			IEC ZONE 21				
CATALOG NUMBER W/ DIFFUSE LENS	WEIGHT LBS./KG	WATTS STD. POWER	LENGTH STYLE - INCHES (MM)	VOLTAGE	AMPS	DELIVERED LUMENS Diffuse/ Clear	40°C	55°C	65°C	40°C	55°C	65°C	40°C	55°C	65°C	40°C	55°C	65°C	40°C	55°C	65°C		
LAL1830D	17.9 / 8.1	18	B-32.6 (828)	120-277VAC	0.15 - 0.06	2272 / 2479	T6	T6	T5	T4A	T4A	T4A	T4A	T4A	T4A	T6	T6	T5	T4	T4	T4		
LAL1830D-L4-2AP	21.9 / 9.9		C-51 (1295)				T6	T6	T5	T4A	T4A	T4A	T4A	T4A	T4A	T6	T6	T5	T4	T4	T4		
LAL18E1330D-L4-2AP	31.9 / 14.5		C-51 (1295)				T6	T6	T5	T4A	T4A	T4A	T4A	T4A	T4A	T6	T6	T5	T4	T4	T4		
LAL2830D	17.9 / 8.1	28	B-32.6 (828)		120-277VAC	0.23 - 0.10	3321 / 3624	T6	T6	T5	T4A	T4A	T4A	T4A	T4A	T4A	T6	T6	T5	T4	T4	T4	
LAL2830D-L4-2AP	21.9 / 9.9		C-51 (1295)					T6	T6	T5	T4A	T4A	T4A	T4A	T4A	T4A	T6	T6	T5	T4	T4	T4	
LAL28E1330D-L4-2AP	31.9 / 14.5		C-51 (1295)					T6	T6	T5	T4A	T4A	T4A	T4A	T4A	T4A	T6	T6	T5	T4	T4	T4	
LAL4530D	17.9 / 8.1	45	B-32.6 (828)			120-277VAC	0.38 - 0.16	5054 / 5515	T6	T5	-	T4A	T4A	T4A	T4A	T4A	T4A	T6	T5	T5	T4	T4	T4
LAL4530D-L4-2AP	21.9 / 9.9		C-51 (1295)						T6	T5	-	T4A	T4A	T4A	T4A	T4A	T4A	T6	T5	T5	T4	T4	T4
LAL45E1330D-L4-2AP	31.9 / 14.5		C-51 (1295)						T6	T5	-	T4A	T4A	T4A	T4A	T4A	T4A	T6	T5	T5	T4	T4	T4
LAL6030D	18.9 / 8.6	60	B-32.6 (828)				120-277VAC	0.50 - 0.22	7064 / 7709	T6	T5	-	T4A	T4A	-	T4A	T4A	-	T6	T5	-	T4	T4
LAL6030D-L4-2AP	22.9 / 10.4		C-51 (1295)	T6						T5	-	T4A	T4A	-	T4A	T4A	-	T6	T5	-	T4	T4	-
LAL60E1330D-L4-2AP	32.9 / 14.9		C-51 (1295)	T6						T5	-	T4A	T4A	-	T4A	T4A	-	T6	T5	-	T4	T4	-
LAL8030D	34.5 / 15.6	80	D-57.9 (1471)	120-277VAC				0.67 - 0.29	10110 / 11032	T6	T5	-	T4A	T4A	-	T4A	T4A	-	T6	T5	-	T4	T4
LAL80E1330D	44.5 / 20.2		D-57.9 (1471)		T6					T5	-	T4A	T4A	-	T4A	T4A	-	T6	T5	-	T4	T4	-
LAL80E2630D	54.5 / 24.7		D-57.9 (1471)		T6					T5	-	T4A	T4A	-	T4A	T4A	-	T6	T5	-	T4	T4	-
LAL12030D	36.5 / 16.6	120	D-57.9 (1471)		120-277VAC			1.00 - 0.43	15090 / 16467	T6	T5	-	T4A	T4A	-	T4A	T4A	-	T6	T5	-	T4	T4
LAL120E1330D	46.5 / 21.1		D-57.9 (1471)			T6				T5	-	T4A	T4A	-	T4A	T4A	-	T6	T5	-	T4	T4	-
LAL120E2630D	56.5 / 25.6		D-57.9 (1471)			T6				T5	-	T4A	T4A	-	T4A	T4A	-	T6	T5	-	T4	T4	-
LALC1527D	12.03 / 4.49	15	A-18.73 (476)			12-24VDC		1.3-0.6	1503 / 1640	T5	T4A	-	T4A	T4A	-	T4A	T4A	-	T5	T4	-	T4	T4
LALC1530D						120-277VAC	0.15-0.06																
LALC1534D						120-250VDC	0.2-0.1																
LALC2027D		20	A-18.73 (476)			12-24VDC	1.7-0.8	2337 / 2550	T5	T5	-	T4A	T4A	-	T4A	T4A	-	T5	T5	-	T4	T4	-
LALC2030D				120-277VAC		0.17-0.08																	
LALC2034D				120-250VDC		0.2-0.1																	
LALC2527D		25	A-18.73 (476)	12-24VDC		2.1-1.0	3019 / 3294	T5	T4A	-	T4A	T4A	-	T4A	T4A	-	T5	T4	-	T4	T4	-	
LALC2530D				120-277VAC	0.18-0.08																		
LALC2534D				120-250VDC	0.2-0.1																		
LALC3030D		30	A-18.73 (476)	120-277VAC	0.26-0.11	2726 / 2974	T5	T4A	-	T4A	T4A	-	T4A	T4A	-	T5	T4	-	T4	T4	-		
LALC3530D	35	A-18.73 (476)	120-277VAC	0.30-0.13	3261 / 3558	T5	T4A	-	T4A	T4A	-	T4A	T4A	-	T5	T4	-	T4	T4	-			
LALC4030D	40	A-18.73 (476)	120-277VAC	0.34-0.15	4152 / 4530	T5	T5	-	T4A	T4A	-	T4A	T4A	-	T5	T5	-	T4	T4	-			
LALC4530D	45	A-18.73 (476)	120-277VAC	0.38-0.17	5136 / 5604	T5	T5	-	T4A	T4A	-	T4A	T4A	-	T5	T5	-	T4	T4	-			
LALC5030D	50	A-18.73 (476)	120-277VAC	0.42-0.18	6039 / 6590	T5	-	-	T4A	-	-	T4A	-	-	T5	-	-	T4	-	-			



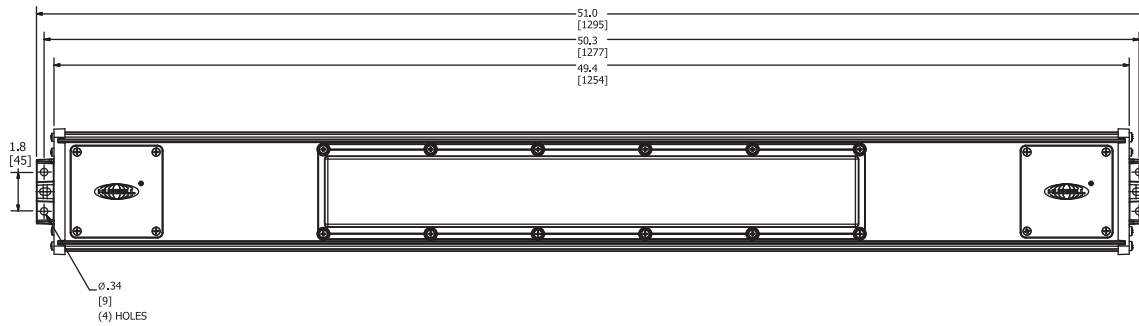
## DIMENSIONS AND ACCESSORIES



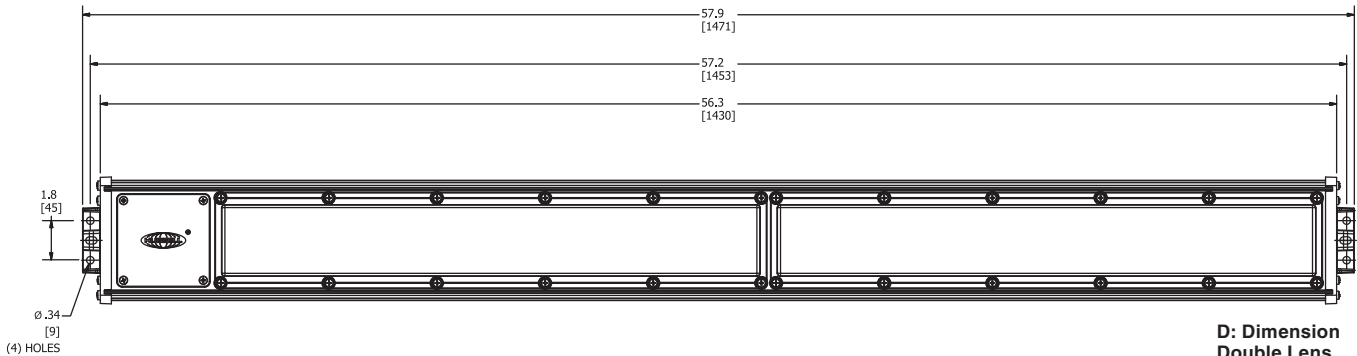
A: Dimensions for LALC



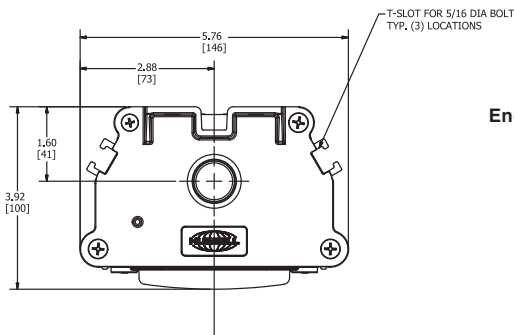
B: Dimension for Single Lens



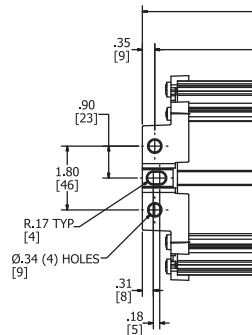
C: Dimension Single Lens with Emergency Battery or Extended Model to Match Emergency Length



D: Dimension Double Lens with or without Emergency Battery



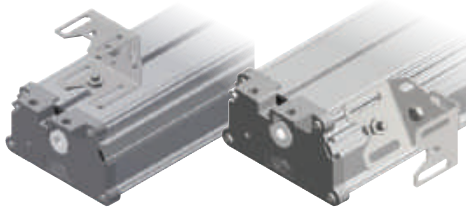
End Views





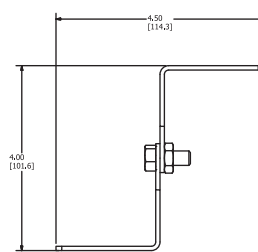
## ACCESSORIES AND REPLACEMENT PARTS

ACCESSORIES AND REPLACEMENT PARTS	
LAL-SB	Swivel Bracket Set w/ Adjustable Height; includes 5/16" bolts/nuts/lock-washers for attachment to LAL(C) "slots"; can also be attached to end cap mounting feet with FBO bolts.
LZCB	Ceiling Bracket Set with Stainless Steel Bolts to attach to LAL(C) "slots"
LZWB	Wall Bracket Set with Stainless Steel Bolts to attach to LAL(C) "slots"
LAL-BC	Steel/malleable Iron with Zinc electroplate for corrosion resistance; includes Stainless Steel Bolts to attach to LAL(C) "slots"
LAL-EB	Eyebolt Set with Stainless Steel Bolts to attach to LAL(C) "slots"
VMSC10	10' Stainless Steel Safety Cable with loop grip
LALG	Stainless Guard for 1 LAL Lens, order two for 2 lens models
LALCG	LALC Stainless Guard
LAL-LENSCLR	Single Clear Lens with Gasket for LAL Series
LAL-LENSDIF	Single Diffuse Lens with Gasket for LAL Series
LALC-LENSCLR	Single Clear Lens with Gasket for LALC Series
LALC-LENSDIF	Single Diffuse Lens with Gasket for LALC Series
LAL-RIG-CB	Rig Mounting Style Ceiling Bracket
LAL-RIG-WB	Rig Mounting Style Wall Bracket
RIG-LALC	Rig End Caps for LALC

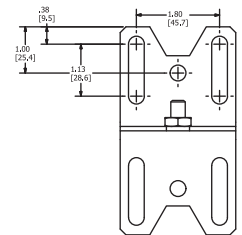
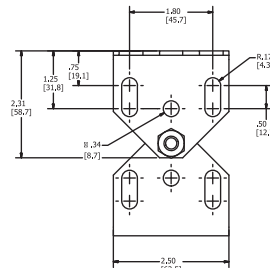


LAL-SB on Center Slot

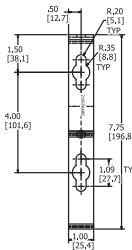
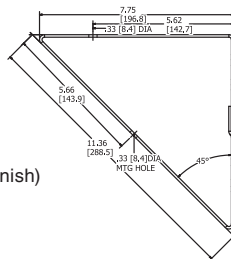
LAL-SB on 45° Slot



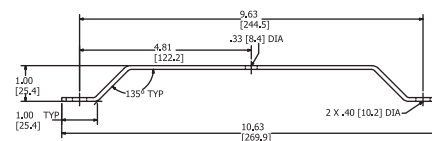
LAL-SB Dimensions – extended shown



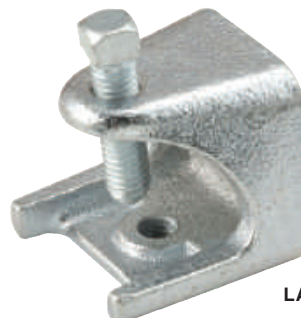
Wall Bracket Set  
Part Number LZWB  
Stainless Steel (natural finish)



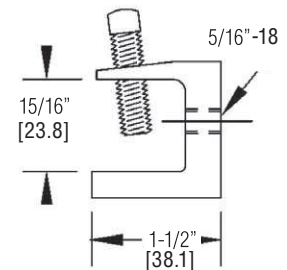
Ceiling Bracket Set  
Part Number LZCB  
Stainless Steel (natural finish)



VMSC10 Safety Cable



LAL-BC Beam Clamp





# LALFP

## Linear LED Food Processing Fixture

- Maintenance free long-lasting LEDs

- NSF Certified with Impact Resistant polycarbonate lens

- All exterior stainless steel hardware

- Large wiring access for ease of installation

- Extremely durable copper-free aluminum mounting feet & access plate with anodized aluminum housing

- 90 or 180 minute emergency with Self-diagnostics in accordance with NFPA 101® Life Safety Code



# LIGHTING

## LINEAR LED TECHNOLOGY



Approved

**LINEAR<sup>ITE</sup>**® \*

\* marca registrada MEXICO

### FEATURES-SPECIFICATIONS

#### Applications

Linear LED Luminaires are designed for food processing installations where moisture, corrosion and vibration may be present, and Type 3, 4X, IP66/IP67. They can be used in locations made hazardous by the presence of flammable vapors or gases or combustible dusts as defined by the NEC/CEC.

Typical applications include non-food zones, splash zones, hazardous food processing areas, high and low ambient areas, and hose-down zones.

**NSF** (National Sanitation Foundation) approved for "Food Handling" areas, typically requiring non-glass lighting.

**ABS** (American Bureau of Shipping) type approval for use on decks, vessels, platforms, barges, ships and boats. Also suitable for docks and marinas.

#### Compliances

- UL-8750 for LED lighting
- ANSI/UL 1598(A)
- UL-844 Standard for lighting fixtures for hazardous locations, Class I, Division 2; Class II, Divisions 1 and 2; Class III
- CSA C22.2 no. 137-M1981 electric luminaires for use in hazardous locations
- Enclosed and gasketed
- Type 3, 4X
- IP66/IP67

Supplemental **20KA/10KV Surge Protection** is **standard** (for 120-277 VAC models)  
**10KA/10KV Surge Protection** (for 347-480 VAC)

#### Materials

- Housing – one piece clear anodized  $\leq .1\%$  copper-free aluminum extrusion
- Endcaps & wiring – Access covers are copper-free ( $\leq .4\%$ ) aluminum with natural finish.
- External screws are 316 stainless steel
- Lens – Impact resistant polycarbonate lens available in diffuse or clear

#### LALFP & LALFPxiE Product Features

- LALFPxiE models have "built-in" battery backup for 90 or 180 minute battery backup
- Shallow design minimizes profile in work areas with low ceiling heights
- Diffuse Lens Standard to minimize glare; Clear Lens available
- Polycarbonate Single Lens L1 & L3; Double Lens model L5
- Variety of mounting options including swivel brackets, wall, ceiling brackets, or beam clamps
- End Caps each have 2 mounting feet built-in plus a safety strap attachment point
- Standard unit End Caps each have single a 3/4" NPT hub, and fixture is furnished with one 3/4" close-up plug and two 3/4" to 1/2" reducers – provides out of the box 1/2" dead-end to 3/4" feed-through flexibility. Metric openings are available.
- Standard LALFPs have one wiring Access Plate for easy access to terminal block.

**Class I, Div. 2, Groups A, B, C, D**  
**Class I, Zone 2, Groups IIC, IIB, IIA**  
**Class II, Div. 1 & 2, Groups E, F, G**  
**AEx nAll, Ex nAll**  
**Wet Locations**  
**Type 4X**  
**IP66/IP67**

**ABS Type Approval**  
**NSF Food Handling**

Certified - File LR11713

**IECEX Rated**  
**Zone 2 and Zone 21 areas**  
**Ex nA IIC T6 to T3, Gc**  
**Ex tb IIC T95°C Db**  
**Tamb -50°C < Tz < +65°C, IP66**

**IECEX Certificate**  
**QPS 15.0010**

**ATEX Certificate**  
**CML 15ATEX4081X (nA)**  
**&**  
**CML15ATEX3082X (tb)**

#### Electronics Includes:

- Self-diagnostics monitors LED status, LED driver circuit, battery capacity and charger function and displays any fault detection by means of a flashing code
- Self-Test feature automatically runs a 1 minute test once a month and an alternating 30-60 minute test once every 6 months. LED indicator provides visible fault detection and charging status
- User initiated 1, or 90-minute system test feature
- 15 minute re-transfer delay
- Automatic unit transfer in brown-out conditions (below 80% of nominal AC input voltage)

#### LED Features and Standards

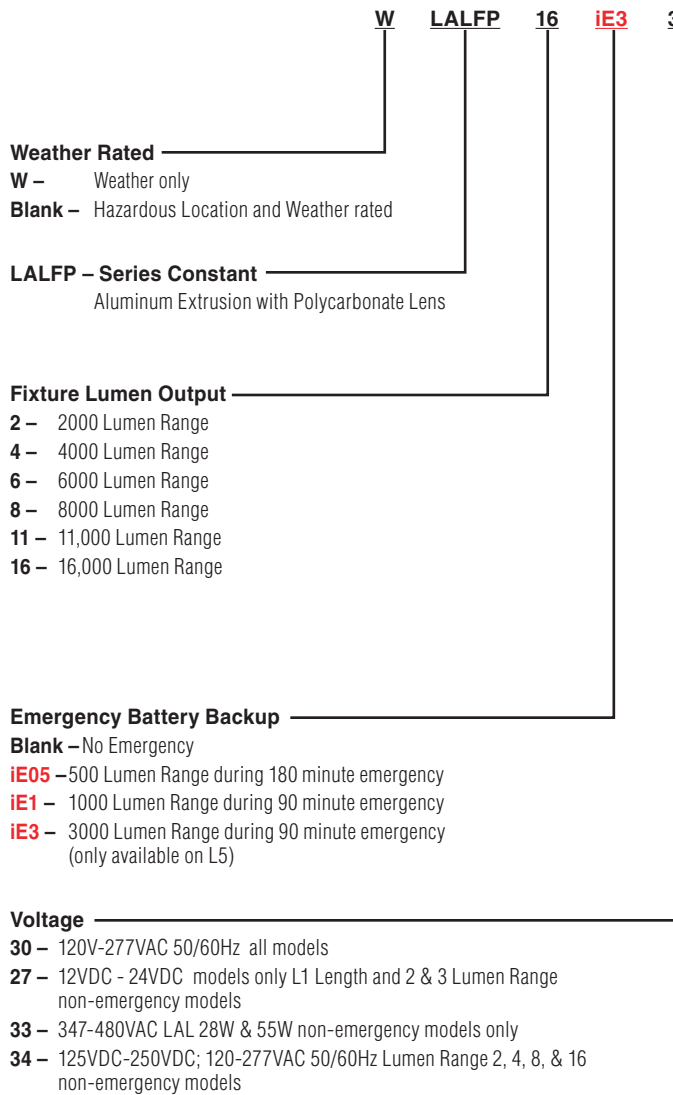
- Many Midpower LEDs blend light to simulate fluorescent tubes
- Crisp White Light for Excellent Color Rendering – Chromaticity 5000K (CCT); approx. 70 CRI
- LED Array Life – 100,000+ hours with 70% initial lumens
- Long Fixture Life – 50,000 - 55,000 maintenance free hours
- Ambient suitability -40°C to 65°C (see tables). **-20°C to 50°C Ambient suitability for Emergency models.**
- Instant On – Including after power interruption
- World Voltage 120 - 277VAC 50/60Hz
- Solder-LESS LED Board Connections – Vibration Resistant

#### INTELLIGENT EMERGENCY SERVICE CODES

INDICATOR STATUS SIGNAL	DESCRIPTION OF STATUS SIGNAL
0.5s ON and 0.5s OFF	Battery disconnected.
2.5s ON and 2.5s OFF	LED load disconnected.
4.5s ON and 0.5s OFF	Driver in self-diagnostic mode.
1.5s ON and 3.5s OFF	Battery needs to be replaced.
0.5s ON and 4.5s OFF	Damaged driver. Replace
ON	Normal/Charging.
OFF (LED Load ON)	Discharging / Emergency Operation



CATALOG LOGIC



**Example**  
 = Weather only rated, 16,000 Lumen output with 3,000 Lumen output during 90 minute emergency operation, 120-277 VAC, approximately 5 foot length Diffuse Lens, 2 fuses

**Options**

- F – Single Fuse (1 pole)
- FF – Two Fuses (2 pole - 2 hot legs)
- S52 – 1 Endcap with 1x1/2" NPT and 1xM20 Entries (3/4" NPT Plugged)
- D52 – 2 Endcaps with 1x1/2" NPT and 1xM20 Entries (3/4" NPT Plugged)
- D50 – 2x1/2" NPT Entries 1 end cap, 3/4" plugged; 2nd end cap std. 1x3/4" NPT
- D502 – 2x1/2" Entries 2 end caps, 3/4" NPTs plugged
- D20 – 2xM20 Entries 1 end cap, 3/4" plugged; 2nd end cap std. 1x3/4" NPT
- D202 – 2xM20 Entries 2 end caps, 3/4" NPTs plugged
- LSP – Less Surge Protector
- GH – Gray Housing
- RH – Red Housing
- TBL – Terminal Blocks **Looping through Wiring**
- NAP – No Access Plate (only available on L1)

**Specials – Contact Factory for custom configurations and options**

**Lens**

- D – Diffuse Polycarbonate
- C – Clear Polycarbonate

**Length**

- L1 – Approximately 1 foot (2, 4, 6 Lumen Outputs)
- L3 – Approximately 3 feet (2, 4, 6, 8 Lumen Outputs)
- L5 – Approximately 5 feet (11, 16 Lumen Outputs)

**Energy Savings**

LED VS FLUORESCENT WATTAGE & DELIVERED LUMENS						
CATALOG NUMBER	LUMENS	L/W	FLUORESCENT		LUMENS	L/W
LALFP230CL3	2479	138	40W	1x40W BX	2471	63
LALFP430CL3	3624	129	55W	1x55W BX	3766	65
LALFP630CL1	5515	122	64W	2x32T8	4772	80
LALFP830CL3	7709	128	120W	2x60T12HO	6965	56
LALFP1130CL5	11032	138	162W	3x54T5HO	11619	65



# LIGHTING

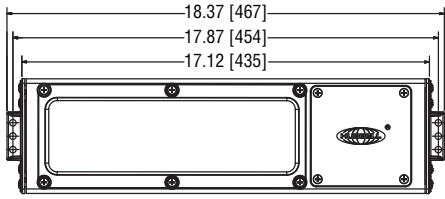
## ORDERING INFORMATION

ORDERING INFORMATION AND AMBIENT SUITABILITY						C1D2 A,B,C,D/ ZONE 2 IIC, IIB, IIA			C1D2 E, F, G SIMULTANEOUS			C2D1 E, F, G		
CATALOG NUMBER	WATTS	LENGTH IN / MM	VOLTAGE	AMPS	LUMENS DIFFUSE/CLEAR	40°C	55°C	65°C	40°C	55°C	65°C	40°C	55°C	65°C
LALFP230L1D	15	18.73 / 476	120/277 VAC 50/60 Hz	0.15-0.06	1503 / 1640	T5	T4A	-	T4A	T4A	-			
LALFP230L3D	18	32.6 / 828		0.15 - 0.06	2272 / 2479	T6	T6	T6	T4A	T4A	T4A	T4A	T4A	T4A
LALFP430L1D	35	18.73 / 476		0.30-0.13	3261 / 3558	T5	T4A	-	T4A	T4A	-	T4A	T4A	-
LALFP430L3D	28	32.6 / 828		0.23 - 0.10	3321 / 3624	T6	T6	T5	T4A	T4A	T4A	T4A	T4A	T4A
LALFP630L1D	45	18.73 / 476		0.38-0.17	5136 / 5604	T5	T4A	-	T4A	T4A	-	T4A	T4A	-
LALFP630L3D	45	32.6 / 828		0.38 - 0.16	5054 / 5515	T6	T5	-	T4A	T4A	-	T4A	T4A	-
LALFP830L3D	60	32.6 / 828		0.50 - 0.22	7064 / 7709	T6	T5	-	T4A	T4A	-	T4A	T4A	-
LALFP1130L5D	80	57.9 / 1471		0.67 - 0.29	10110 / 11032	T6	T5	-	T4A	T4A	-	T4A	T4A	-
LALFP1630L5D	120	57.9 / 1471		1.00 - 0.43	15090 / 16467	T6	T5	-	T4A	T4A	-	T4A	T4A	-

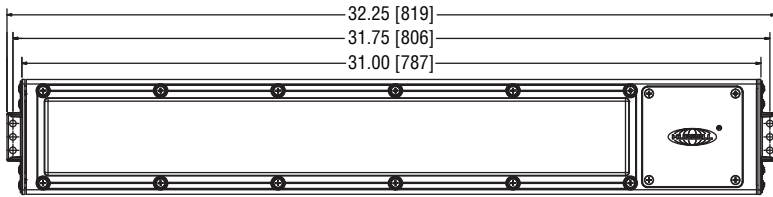
ORDERING INFORMATION AND AMBIENT SUITABILITY					
CATALOG NUMBER	WATTS	LENGTH IN / MM	VOLTAGE	AMPS	LUMENS DIFFUSE/CLEAR
WLALFP230L1D	15	18.73 / 476	120/277 VAC 50/60 Hz	0.15-0.06	1503 / 1640
WLALFP230L3D	18	32.6 / 828		0.15 - 0.06	2272 / 2479
WLALFP430L1D	35	18.73 / 476		0.30-0.13	3261 / 3558
WLALFP430L3D	28	32.6 / 828		0.23 - 0.10	3321 / 3624
WLALFP630L1D	45	18.73 / 476		0.38-0.17	5136 / 5604
WLALFP630L3D	45	32.6 / 828		0.38 - 0.16	5054 / 5515
WLALFP830L3D	60	32.6 / 828		0.50 - 0.22	7064 / 7709
WLALFP1130L5D	80	57.9 / 1471		0.67 - 0.29	10110 / 11032
WLALFP1630L5D	120	57.9 / 1471		1.00 - 0.43	15090 / 16467



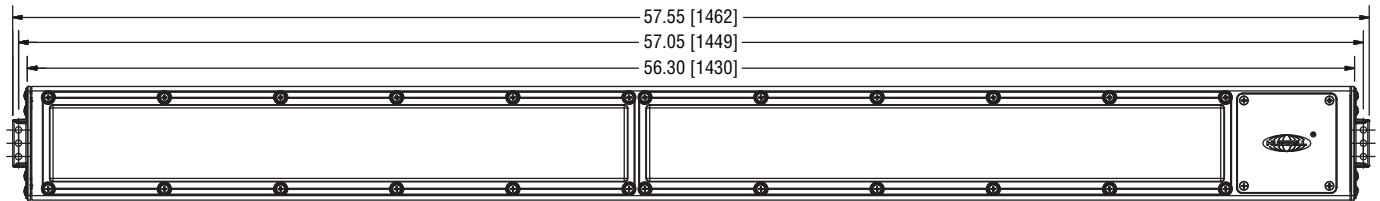
## DIMENSIONS



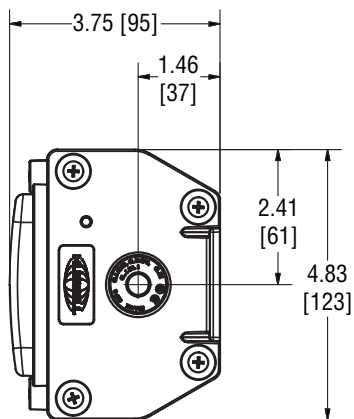
LALFP-L1 Single Access Panel



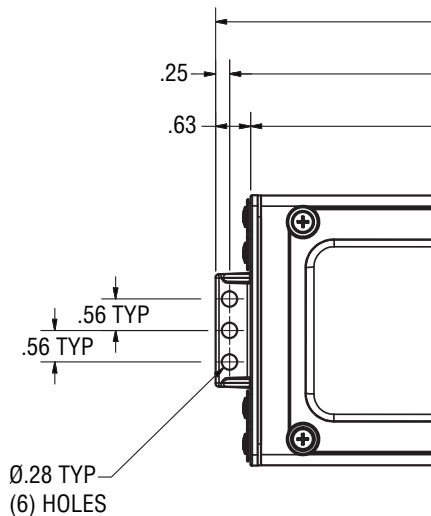
LALFP-L3 Single Access Panel



LALFP-L5 Single Access Panel



End View

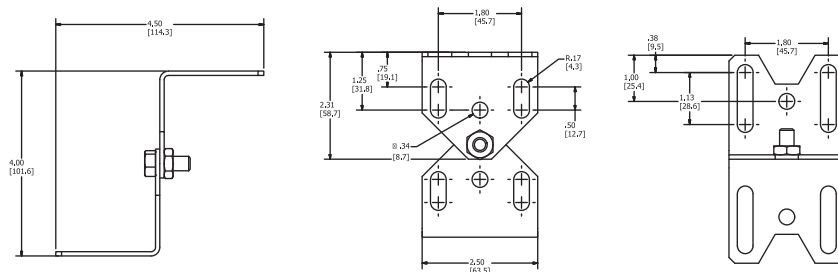






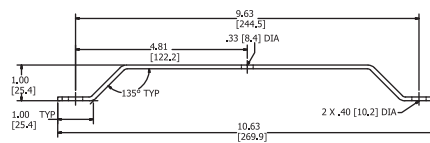
## ACCESSORIES AND REPLACEMENT PARTS

ACCESSORIES AND REPLACEMENT PARTS	
LAL-SB	Swivel Bracket Set w/ Adjustable Height; includes 5/16" bolts/nuts/lock-washers for attachment to LAL(C) "slots"; can also be attached to end cap mounting feet with FBO bolts.
LZCB	Ceiling Bracket Set with Stainless Steel Bolts to attach to LAL(C) "slots"
LZWB	Wall Bracket Set with Stainless Steel Bolts to attach to LAL(C) "slots"
LAL-BC	Steel/malleable Iron with Zinc electroplate for corrosion resistance; includes Stainless Steel Bolts to attach to LAL(C) "slots"
LAL-EB	Eyebolt Set with Stainless Steel Bolts to attach to LAL(C) "slots"
VMSC10	10' Stainless Steel Safety Cable with loop grip
LALG	Stainless Guard for 1 LAL Lens, order two for 2 lens models
LALCG	LALC Stainless Guard
LAL-LENSCLR	Single Clear Lens with Gasket for LAL Series
LAL-LENSDIF	Single Diffuse Lens with Gasket for LAL Series
LALC-LENSCLR	Single Clear Lens with Gasket for LALC Series
LALC-LENSDIF	Single Diffuse Lens with Gasket for LALC Series

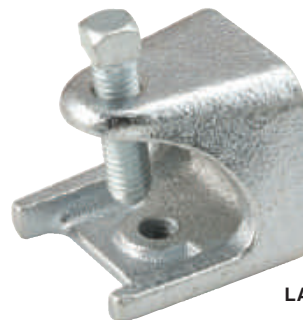


LAL-SB Dimensions – extended shown

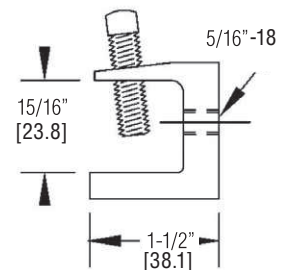
**Ceiling Bracket Set**  
Part Number LZCB  
Stainless Steel (natural finish)



VMSC10 Safety Cable



LAL-BC Beam Clamp



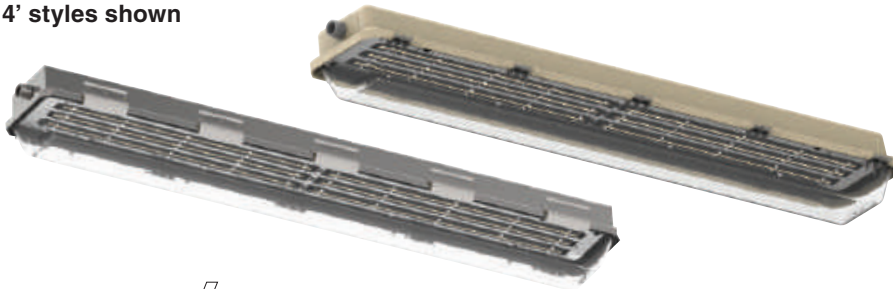


LZ2NL/LZ2SL SERIES

# KILLARK

## LZ LED INTRODUCTION & LOGIC

4' styles shown



**Class I, Div. 2, Groups A, B, C, D**  
**Class I, Zone 2, Groups IIC, IIB, IIA**  
**Class II, Div. 1 & 2, Groups E, F, G**  
**AEx nAll, Ex nAll**  
**Wet Locations**  
**Type 4X, IP66**

Certified - File LR11713

**ABS Type Approval (L32NL, L32SL)**  
**NSF Food Handling (LZ2NL)**

**LINEAR<sup>lite</sup>**® \*

\* marca registrada MEXICO

### FEATURES-SPECIFICATIONS

#### Applications

Linear LED Luminaires are designed for installations where moisture, dirt, dust, corrosion and vibration may be present, and Type 3, 4X IP66 areas where wind, water, snow or high ambients can be expected. They can be used in locations made hazardous by the presence of flammable vapors or gases or combustible dusts as defined by the NEC/CEC.

**ABS** (American Bureau of Shipping) type approval for use on decks, vessels, platforms, barges, ships and boats. Also suitable for docks and marinas.

**NSF** (National Sanitation Foundation) approved for "Food Handling" areas, typically requiring non-glass lighting.

Typical applications include manufacturing plants, and certain chemical and petrochemical processing facilities, sewage treatment plants, off-shore and dockside installations, garages, storage facilities, tunnels, and grain/food facilities.

#### Compliances

- UL-8750 for LED lighting
- ANSI/UL 1598(A)
- UL-844 Standard for lighting fixtures for hazardous locations, Class I, Division 2; Class II, Divisions 1 and 2; Class III
- CSA C22.2 no. 137-M1981 electric luminaires for use in hazardous locations
- Enclosed and gasketed
- Type 3, 4X, IP66

#### Materials

- Housing – one piece fiberglass reinforced polyester or 316 Stainless Steel
- Lens – Clear Lexan® impact resistant polycarbonate lens (Lexan is a registered trademark of SABIC)
- Two 3/4" NTP hubs – one at each end (includes one 3/4" close-up plug and two 3/4"x1/2" reducers for maximum user flexibility – LZ2NL hubs aluminum; LZ2SL hubs 316 Stainless Steel)

### LED Features and Standards

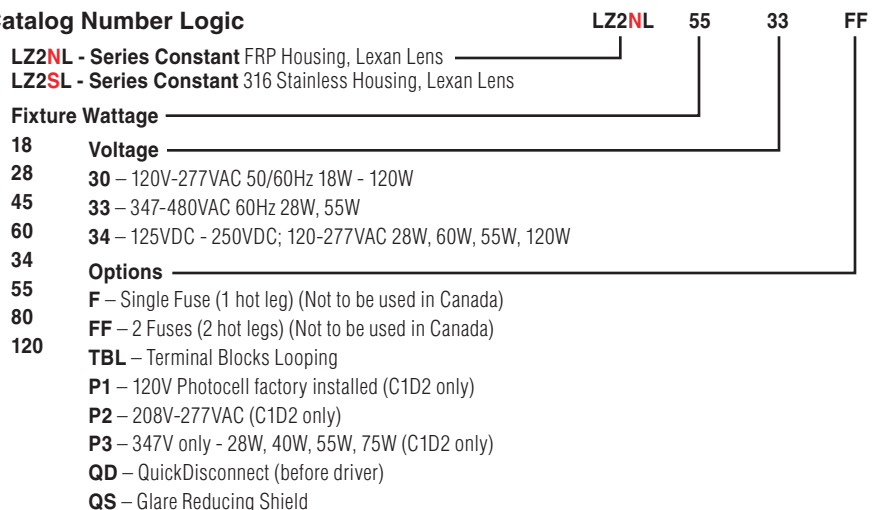
Supplemental **20KA/10KV Surge Protection** is standard (for 120-277 VAC models)  
**10KA/10KV Surge Protection** (for 347-480 VAC)

- Many Midpower LEDs blend light to simulate fluorescent tube
- Crisp White Light for Excellent Color Rendering – Chromaticity 5000K (CCT); approx. 70 CRI
- Energy Savings – High lumens per watt
- LED Array Life – 100,000+ hours with 70% initial lumens

- Long Fixture Life – 50,000 - 55,000 maintenance free hours
- Ambient suitability -40°C to 55°C up to 120W
- Instant On – Including after power interruption
- World Voltage 120 - 277VAC 50/60Hz
- Solder-LESS LED Board Connections – Vibration Resistant

LED VS FLUORESCENT WATTAGE & DELIVERED LUMENS						
LED WATT	LUMENS	L/W	FLUORESCENT	LUMENS	L/W	
18W	2557	150	40W 1x40W BX	2471	63	
28W	3775	144	55W 1x55W BX	3766	65	
34W	5075	149	56W 2x28T5	4676	71	
45W	5562	137	64W 2x32T8	4772	80	
55W	7577	144	108W 2x54T5HO	8088	67	
60W	7618	132	120W 2x60T12HO	6965	56	
80W	11140	137	162 3x54T5HO	11619	65	

### Catalog Number Logic

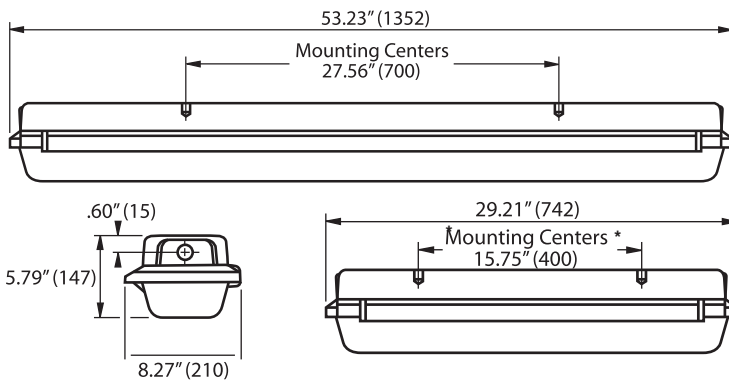




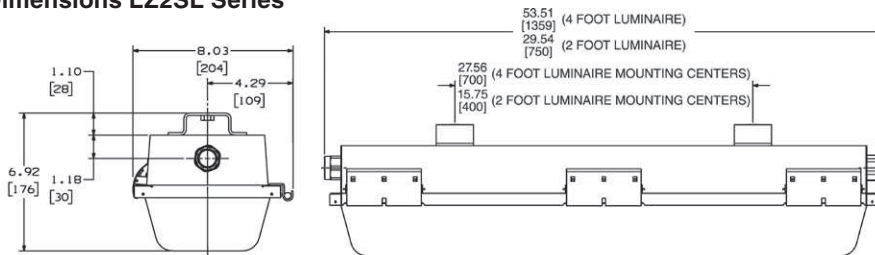
## LZ SERIES – ORDERING INFORMATION & TECHNICAL DATA

ORDERING INFORMATION AND AMBIENT SUITABILITY									C1D2		C2D1 LZ2 NL GRPS. FG LZ2 SL GRPS. FFG		C1Z2 AEx nA Ex nA	
CATALOG NUMBER			WEIGHT LBS/KG	WATTS	LENGTH	VOLTAGE	AMPS	DELIVERED LUMENS	40°C	55°C	40°C	55°C	40°C	55°C
FIBERGLASS	WEIGHT LBS/KG	STAINLESS												
LZ2NL1830	12/5.4	LZ2SL1830	13/5.9	18	2'	120-277VAC	0.15 - 0.06	2557	T5	T4A	≤ 135°C	≤ 135°C	T5	T4
LZ2NL2830	12/5.4	LZ2SL2830	13/5.9	28	2'	120-277VAC	0.23 - 0.10	3775	T5	T4A	≤ 135°C	≤ 135°C	T5	T4
LZ2NL4530	12/5.4	LZ2SL4530	13/5.9	45	2'	120-277VAC	0.38 - 0.16	5562	T5	T4A	≤ 135°C	≤ 135°C	T5	T4
LZ2NL6030	14/6.4	LZ2SL6030	15/6.8	60	2'	120-277VAC	0.50 - 0.22	7618	T4A	-	≤ 135°C	-	T4	-
LZ2NL3430	23/10.4	LZ2SL3430	24/10.9	34	4'	120-277VAC	0.28 - 0.12	5075	T5	T4A	≤ 135°C	≤ 135°C	T5	T4
LZ2NL5530	23/10.4	LZ2SL5530	24/10.9	55	4'	120-277VAC	0.46 - 0.20	7577	T5	T4A	≤ 135°C	≤ 135°C	T5	T4
LZ2NL8030	23/10.4	LZ2SL8030	24/10.9	80	4'	120-277VAC	0.67 - 0.29	11140	T5	T4A	≤ 135°C	≤ 135°C	T5	T4
LZ2NL12030	25/11.3	LZ2SL12030	26/11.8	120	4'	120-277VAC	1.00 - 0.43	16010	T4A	-	≤ 135°C	-	T4	-

### Dimensions LZ2NL Series



### Dimensions LZ2SL Series



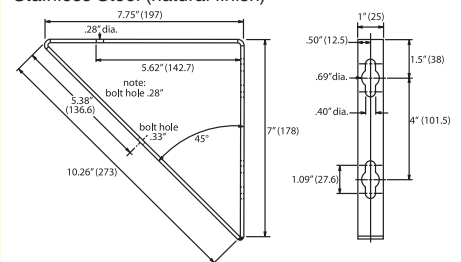
REPLACEMENT PARTS:	
LZ2N4LENS	4' Lens only LZ2NL/LZ2SL
LZ2N2LENS	2' Lens only LZ2NL/LZ2SL
LZ2N4BAR	4' Locking Bar only LZ2NL
LZ2N2BAR	2' Locking Bar only LZ2NL
LZ2S-LATCH	Latch and Spring LZ2SL

\*Mounting Centers are 1/4-20" tapped for user all thread rod or below accessories.

### Mounting Accessories

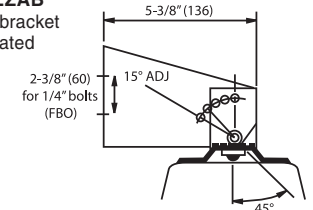
#### Wall Bracket Set

Part Number LZWB  
Stainless Steel (natural finish)



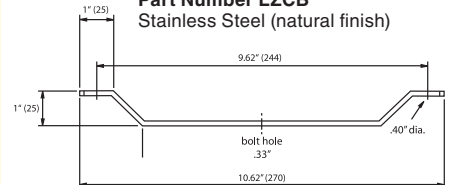
#### Adjustable Wall Bracket Set

Part Number LZAB  
Stainless Steel bracket with ceramic coated pivot bolt



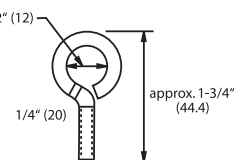
#### Ceiling Bracket Set

Part Number LZCB  
Stainless Steel (natural finish)



#### Eyebolt Set

Part Number LZEB  
Stainless Steel bolt with lockwasher & nut (natural finish)



#### Suspension Chains (2 required)

Part Number HFX-SC

36" length plated steel chain with snap link ends  
For use with LZEB



HLLX SERIES

LED FIXTURES



**LINEAR**lite® \*

\* marca registrada MEXICO

**FEATURES-SPECIFICATIONS**

**Applications**

HLLX Series LED fixtures are designed for installations where moisture, dirt, dust, corrosion and vibration may be present, or Type 3 and 4X areas where wind, water and snow can be expected. They can also be used in locations made hazardous due to the presence of flammable or explosive gases, vapors and combustible ducts as defined by the NEC.

Typical applications include classified areas such as inside paint spray booths, paint manufacturing plants, ammunition facilities, oil and gas producing and refining plants, off-shore and dockside installations, tank farms, pipeline pumping stations and marine loading and fuel transfer terminals.

**LED Features and Standards**

- UL Listed and labeled for use inside paint spray booths and rooms
- Construction is strong lightweight corrosion resistant copper-free aluminum alloy, less than 4/10 of 1%
- Energy Savings – High efficiency LED chips
- All external hardware is corrosion resistant 316 stainless steel to provide maintenance free long life

Supplemental **20KA/10KV Surge Protection** is **standard** (for 120-277 VAC models)  
**10KA/10KV Surge Protection** (for 347-480 VAC)

- UL factory sealed construction (no external seals required). Saves installation time and cost
- Extruded aluminum reflectors are easily removable for cleaning. White baked enamel finish
- Optional 316 stainless steel wire guard for added protection
- Threaded O-Ring gasketed covers provide easy access to driver and wiring compartment
- Suitable for use in both indoor and outdoor wet locations
- Many Midpower LEDs blend light to simulate fluorescent tubes
- Crisp White Light for Excellent Color Rendering – Chromaticity 5000K (CCT); approx. 70 CRI

- Class I, Div. 1 & 2, Groups C,D
- Class I, Zones 1 & 2, Groups IIB, IIA
- Class II, Div. 1 & 2, Groups E,F,G
- Class III, Div. 1 & 2
- Type 3, 4X, 7(C,D) 9(E,F,G)
- Suitable for wet locations
- Suitable for paint spray booths

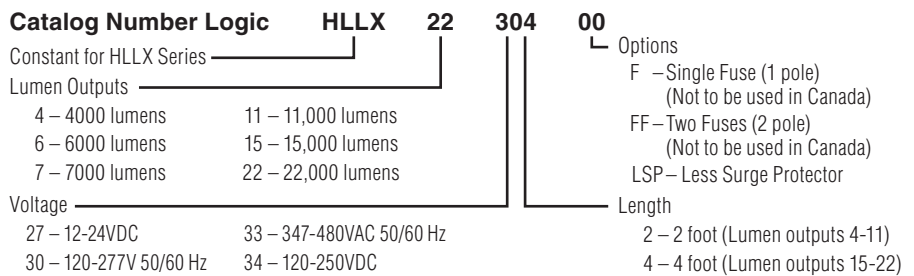
**UL LISTED** - File E12976 and E89665 (Marine)

**SP** Certified - File LR11713

- Energy Savings – High lumens per watt
- LED Array Life – 100,000+ hours with 70% initial lumens
- Long Fixture Life – 50,000 - 55,000 maintenance free hours
- Instant On – Including after power interruption
- World Voltage 120-277VAC 50/60Hz

**Compliances**

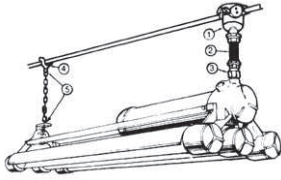
- UL-8750 for LED lighting
- UL-844, Electric Lighting Fixtures for use in Hazardous Locations
- UL Marine Type Electric Lighting Fixtures
- CSA C22.2 no. 137-M1981 Electric Luminaires for use in Hazardous Locations
- Type 3, 4X, 7(C,D), 9 (E,F,G)



ORDERING INFORMATION AND AMBIENT SUITABILITY						C1D1		C2D1		L70	
CATALOG NO.	WEIGHT LBS./KG	WATTS	VOLTAGE	AMPS	DELIVERED LUMENS	40°C	55°C	40°C	55°C	TM-21	CALCULATED
HLLX4272	32.00 / 14.52	24	12-24VDC	2.0 - 4.0	3829	T6	T6	T4A	T4A	60300	199000
HLLX4302			120-277VAC	0.2 - 0.09							
HLLX4342			108-250VDC	0.2 - 0.1							
HLLX6272		35	12-24VDC	2.91 - 5.83	5756	T6	T6	T4A	T4A	60300	19900
HLLX6302			120-277VAC	0.29 - 0.67							
HLLX6342			108-250VDC	0.29 - 0.14							
HLLX7302		55	120-277VAC	0.44 - 1.02	7644	T6	T6	T4A	T4A	60300	199000
HLLX7342			108-250VDC	0.44 - 0.21							
HLLX11302			120-277VAC	0.71 - 1.64							
HLLX11342		85	108-250VDC	0.71 - 1.48	10830	T6	T6	T4A	T4A	60300	199000
HLLX15304	120-277VAC		0.92 - 0.40								
HLLX15344	108-250VDC		1.02 - 0.44								
HLLX22304	50.00 / 22.6	170	120-277VAC	1.38 - 3.18	22540	T6	T6	T4A	T4A	60300	128000 @40C
HLLX22344			108-250VDC	1.57 - 0.68							



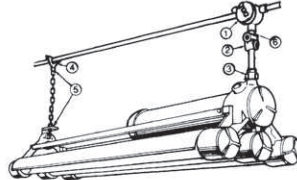
# LIGHTING



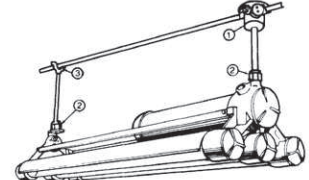
Flexible mounting provides free swing and impact protection.

1. Splice Box/Fixture Hanger (HXB)
2. Flexible Pendant Hanger (EKJ)
3. Union (GUM)
4. Rigid Support Saddle Bracket (KFHS)
5. Support Hook (KEFHM)

Note: Chain furnished by others.



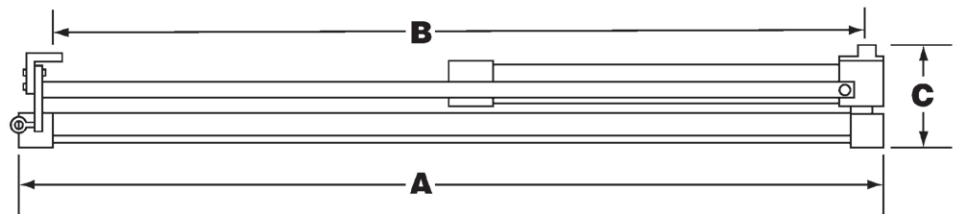
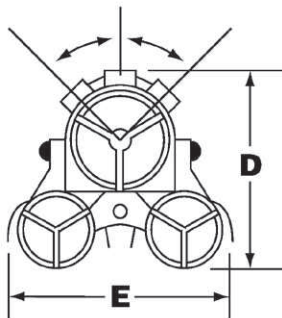
1. Splice Box/Fixture Hanger (XFH)
  2. Swivel Hanger (KESD)
  3. Union (GUM)
  4. Rigid Support Saddle Bracket (KFHS)
  5. Support Hook (KEFHM)
  6. 3/4" Rigid Threaded Nipple
- Note: Chain furnished by others.



- Rigid mounted
1. Splice Box/Fixture Hanger (HXB)
  2. Union (GUM)
  3. Rigid Support Saddle Bracket (KFHS)
- For wall mounting, use securely fastened 3/4" pipe 6" or less in length. Floor flange (furnished by others) recommended for dummy end as well as chain or cable providing vertical strain relief from above fixture. Chain furnished by others.

MOUNTING HARDWARE			
CATALOG NUMBER	HUB SIZE	LENGTH	DESCRIPTION
HXB-12 HXB-22	1/2" 3/4"	— —	HXB SERIES Splice Box/ 3/4" Fixture Hanger
EKJ-24	3/4"	4	EKJ SERIES Flexible Pendant Hanger
EKJ-26	3/4"	6	
EKJ-28	3/4"	8	
EKJ-210	3/4"	10	
EKJ-212	3/4"	12	
EKJ-215	3/4"	15	
EKJ-218	3/4"	18	
GUM-2	3/4"		GU SERIES Male Union

MOUNTING HARDWARE		
CATALOG NUMBER	HUB SIZE	DESCRIPTION
XFH-22	3/4"	XFH SERIES Splice box/fixture hanger
KESD-75	3/4"	KESD SERIES Swivel Hanger 15° swivel drop from center and full 360° free swing
KFHS-5075	3/4"	KFHS SERIES Rigid support saddle bracket for fluorescent fixtures (dummy end) Will support 350 lbs. and straddle Max. 1-1/4" conduit
KEFHM-75	3/4"	KEFHM SERIES Safety support hook with 3/4" male end For dummy end of fixture Will support 200 lbs. screw closed 3/8" jaw opening
HFX-SC	—	HFX SERIES Safety chain (36" length plated steel), standard on 4-tube fixture



HLLX DIMENSIONS								
HLLX MODEL	CONDUIT SIZE	CONDUIT SIZE	DIMENSIONS					NET WEIGHT
			A	B	C	D	E	
Nominal 2'	2 Tubes	3/4-14 NPT	28-15/16" (735)	24-3/8" (619)	9-3/32" (231)	9-3/32" (231)	11" (279)	36.0 Lbs.
Nominal 4'	2 Tubes	3/4-14 NPT	52-13/16" (1367)	48-3/8" (1229)	9-3/32" (231)	9-3/32" (231)	11" (279)	47.7 Lbs.



LOWBAY & HIGHBAY LIGHTING



MBL



VM2L & VM4L



VM1L



EML



EZL

# LIGHTING

**MBL SERIES**



## COMPACT SIZE – INTRODUCTION & LOGIC



Luminaire w/Glass Refractor and Guard



Luminaire w/Flat Lens



Wall Mount w/VZRF8PR Pathway Reflector

**Class I, Div. 2, Groups A,B,C,D**  
**Class I, Zone 2, Groups IIC,IIB,IIA**  
**Class II, Div. 1 & 2, Groups E,F,G**  
**Class III**  
**Suitable for wet locations**  
**Marine Rated (US only)**  
**Type 3, 4X**

Certified - File LR11713

## CERTILITE<sup>®</sup> LED

### FEATURES-SPECIFICATIONS Applications

CERTILITE<sup>®</sup> MBL LED fixtures are designed for installations where moisture, dirt, dust, corrosion and vibration may be present, or Type 3 and 4X areas where wind, water, snow or high ambients can be expected. They can be used in locations made hazardous by the presence of flammable vapors or gases or combustible dusts as defined by the NEC/CEC.

Typical applications can low ceiling areas in manufacturing plants, and certain chemical and petrochemical processing facilities, sewage treatment plants, off-shore and dockside installations, garages and storage facilities.

### Compliances

- UL-8750 for LED lighting; UL 1598A
- UL Marine type lighting fixtures
- UL-844 Standard for lighting fixtures for hazardous locations, Class I, Division 2; Class II, Divisions 1 and 2; Class III
- CSA C22.2 no. 137-M1981 electric luminaries for use in hazardous locations
- Enclosed and gasketed
- Type 3, 4X

### Materials

- Housing, splice box and guards (MBAG, VMAG) corrosion resistant copper-free aluminum alloy
- Baked powder epoxy/polyester finish, electrostatically applied for complete, uniform corrosion protection
- All external hardware - stainless steel
- Reflectors - Polyester reinforced fiberglass

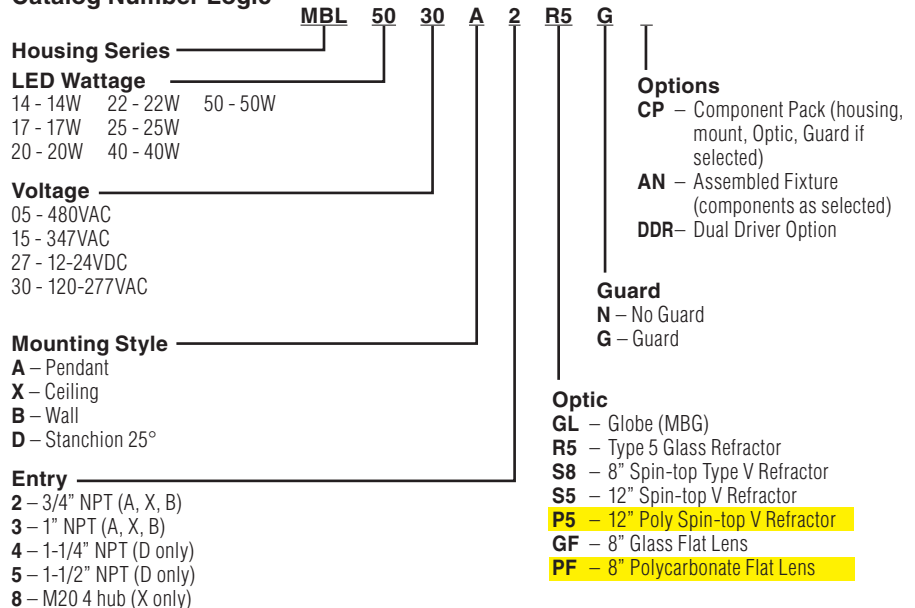
### LED Luminaire Features and Standards

Supplemental **20KA/10KV Surge Protection** is **standard** (for 120-277 VAC models)  
**10KA/10KV Surge Protection** (for 347-480 VAC)

- Compact in Size with Traditional Industrial Appearance and Suitability
- Wide variety of optics including globes, globes with reflectors, all-glass refractors, and spin-top refractors
- Optional Mounting arrangements including Pendant, Wall, Ceiling, and Stanchion
- MBL LED Housings can be retrofitted to existing MB splice boxes; upgrade from Fluorescent or HID

- Energy Savings – Less than 50 Watts of Power
- LED Array Life – 100,000+ hours with 70% initial lumens
- Long Fixture Life – 50,000 - 55,000 maintenance free hours
- Crisp White Light for Excellent Color Rendering - Chromaticity 5000°K (CCT); 70 CRI
- Ambient suitability -40°C to 40°C (to 55°C for 14W to 22W)
- Instant on – Including after power interruption
- “World Voltage” 120-277VAC 50/60Hz
- Solder-LESS LED Board Connections – Vibration Resistant

### Catalog Number Logic





COMPACT SIZE – ORDERING INFORMATION



PENDANT

CEILING

WALL

STANCHION

**ORDERING INFORMATION**

MBL SERIES PENDANT WITH OPTIC AND GUARD							
WATTS	HUB SIZE	VOLTAGE	GLOBE & GUARD	8" SPIN-TOP POLYCARBONATE FLAT LENS	TYPE V GLASS REFRACTOR & GUARD	8" SPIN-TOP TYPE V REFRACTOR & GUARD	12" SPIN-TOP TYPE V REFRACTOR & GUARD
14	3/4"	120-277VAC	MBL1430A2GLG	MBL1430A2PFN	MBL1430A2R5G	MBL1430A2S8G	MBL1430A2S5G
17	3/4"	120-277VAC	MBL1730A2GLG	MBL1730A2PFN	MBL1730A2R5G	MBL1730A2S8G	MBL1730A2S5G
20	3/4"	120-277VAC	MBL2030A2GLG	MBL2030A2PFN	MBL2030A2R5G	MBL2030A2S8G	MBL2030A2S5G
22	3/4"	120-277VAC	MBL2230A2GLG	MBL2230A2PFN	MBL2230A2R5G	MBL2230A2S8G	MBL2230A2S5G
25	3/4"	120-277VAC	MBL2530A2GLG	MBL2530A2PFN	MBL2530A2R5G	MBL2530A2S8G	MBL2530A2S5G
40	3/4"	120-277VAC	MBL4030A2GLG	-	MBL4030A2R5G	MBL4030A2S8G	MBL4030A2S5G
50	3/4"	120-277VAC	MBL5030A2GLG	-	MBL5030A2R5G	MBL5030A2S8G	MBL5030A2S5G
MBL SERIES CEILING WITH OPTIC AND GUARD							
14	3/4"	120-277VAC	MBL1430X2GLG	MBL1430X2PFN	MBL1430X2R5G	MBL1430X2S8G	MBL1430X2S5G
17	3/4"	120-277VAC	MBL1730X2GLG	MBL1730X2PFN	MBL1730X2R5G	MBL1730X2S8G	MBL1730X2S5G
20	3/4"	120-277VAC	MBL2030X2GLG	MBL2030X2PFN	MBL2030X2R5G	MBL2030X2S8G	MBL2030X2S5G
22	3/4"	120-277VAC	MBL2230X2GLG	MBL2230X2PFN	MBL2230X2R5G	MBL2230X2S8G	MBL2230X2S5G
25	3/4"	120-277VAC	MBL2530X2GLG	MBL2530X2PFN	MBL2530X2R5G	MBL2530X2S8G	MBL2530X2S5G
40	3/4"	120-277VAC	MBL4030X2GLG	-	MBL4030X2R5G	MBL4030X2S8G	MBL4030X2S5G
50	3/4"	120-277VAC	MBL5030X2GLG	-	MBL5030X2R5G	MBL5030X2S8G	MBL5030X2S5G
MBL SERIES WALL WITH OPTIC AND GUARD							
14	3/4"	120-277VAC	MBL1430B2GLG	MBL1430B2PFN	MBL1430B2R5G	MBL1430B2S8G	MBL1430B2S5G
17	3/4"	120-277VAC	MBL1730B2GLG	MBL1730B2PFN	MBL1730B2R5G	MBL1730B2S8G	MBL1730B2S5G
20	3/4"	120-277VAC	MBL2030B2GLG	MBL2030B2PFN	MBL2030B2R5G	MBL2030B2S8G	MBL2030B2S5G
22	3/4"	120-277VAC	MBL2230B2GLG	MBL2230B2PFN	MBL2230B2R5G	MBL2230B2S8G	MBL2230B2S5G
25	3/4"	120-277VAC	MBL2530B2GLG	MBL2530B2PFN	MBL2530B2R5G	MBL2530B2S8G	MBL2530B2S5G
40	3/4"	120-277VAC	MBL4030B2GLG	-	MBL4030B2R5G	MBL4030B2S8G	MBL4030B2S5G
50	3/4"	120-277VAC	MBL5030B2GLG	-	MBL5030B2R5G	MBL5030B2S8G	MBL5030B2S5G
MBL SERIES 25° STANCHION WITH OPTIC AND GUARD							
14	1-1/4"	120-277VAC	MBL1430D4GLG	MBL1430D4PFN	MBL1430D4R5G	MBL1430D4S8G	MBL1430D4S5G
17	1-1/4"	120-277VAC	MBL1730D4GLG	MBL1730D4PFN	MBL1730D4R5G	MBL1730D4S8G	MBL1730D4S5G
20	1-1/4"	120-277VAC	MBL2030D4GLG	MBL2030D4PFN	MBL2030D4R5G	MBL2030D4S8G	MBL2030D4S5G
22	1-1/4"	120-277VAC	MBL2230D4GLG	MBL2230D4PFN	MBL2230D4R5G	MBL2230D4S8G	MBL2230D4S5G
25	1-1/4"	120-277VAC	MBL2530D4GLG	MBL2530D4PFN	MBL2530D4R5G	MBL2530D4S8G	MBL2530D4S5G
40	1-1/4"	120-277VAC	MBL4030D4GLG	-	MBL4030D4R5G	MBL4030D4S8G	MBL4030D4S5G
50	1-1/4"	120-277VAC	MBL5030D4GLG	-	MBL5030D4R5G	MBL5030D4S8G	MBL5030D4S5G



# LIGHTING

MBL SERIES



## COMPACT SIZE – COMPONENTS



MB MOUNTING BRACKETS				
CATALOG NUMBER				HUB SIZE
PENDANT	CEILING	WALL	STANCHION	
MBA-2	MBX-2	MBB-2	—	3/4"
MBA-3	MBX-3	MBB-3	—	1"
—	MBX-8	—	—	M20
—	—	—	MBD-4	1-1/4"
—	—	—	MBD-5	1-1/2"



### Non-Glass Polycarbonate 8" Flat Lens or Spin-top



Patented Design

MBL LED OPTICS AND ACCESSORIES		
DESCRIPTION	OPTIC LOGIC	GUARD
Globe (glass)	MBG (GL)	MBAG
Refractor (all glass) Type V	VMR175 (R5)	VMAG17
Refractor (spin top) 8" Type V	VZRG1550 (S8)	VMRWG8
Refractor (spin top) 12" Type V	VZRG2550 (S5)	VMRWGS
8" Spin-top flat lens (glass) 14-24W	VZRGF8 (GF)	VZRF8GRD
8" Spin-top flat lens (polycarbonate) 14-24W	VZRPF8 (PF)	VZRF8GRD
Refractor polycarbonate (spin -top) 12" Type V	VZRP175 (P5)	VMRWGS
Pathway Reflector 14-24W	VZRF8PR	NA
Reflector for MBG Globe - DOME	VMPSD-17	NA
Reflector for MBG Globe - ANGLE	VMPA-17	NA
120VAC Photocell with FS Style Cover	VMFSPC1	NA
208-277VAC Photocell with FS Style Cover	VMFSPC2	NA
3-sided EXIT Accessory (use without guard)	VEXA100B	NA



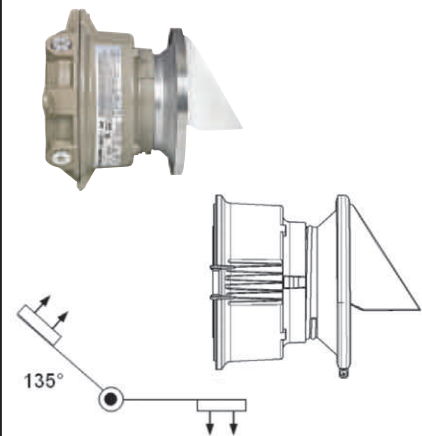
COMPACT SIZE – RATINGS, SPECIAL AIMING ANGLES

ORDERING INFORMATION AND AMBIENT SUITABILITY					C1D2 OPTIC ONLY		ABCD W/ REFLECTOR		C2D1 OPTIC ONLY		EFG W/ REFLECTOR	
CATALOG NO.	WEIGHT LBS./KG	WATTS	VOLTAGE	AMPS	40°C	55°C	40°C	55°C	40°C	55°C	40°C	55°C
MBL1427	10.00 / 4.54	14	12-24VDC	1.17-0.58	T5	T4A	T4	T3B	T4A	T4A	T4A	T4A
MBL1430			120-277VAC	0.12-0.05								
MBL1434			120-250VDC	0.12-0.04								
MBL1727		17	12-24VDC	1.42-0.71	T5	T5	T5	T5	T4	T4	T4	T4
MBL1730			120-277VAC	0.14-0.06								
MBL1734			120-250VDC	0.14-0.06								
MBL2027		20	12-24VDC	1.67-0.83	T5	T5	T5	T5	T4	T4	T4	T4
MBL2030			120-277VAC	0.17-0.07								
MBL2034			120-250VDC	0.17-0.06								
MBL2227		22	12-24VDC	1.83-0.92	T4A	T4	T4A	T4	T4	T4	T4	T4
MBL2230			120-277VAC	0.18-0.08								
MBL2234			120-250VDC	0.18-0.07								
MBL2527		25	12-24VDC	2.08-1.04	T5	T5	T5	T5	T4	T4	T4	T4
MBL2530			120-277VAC	0.21-0.09								
MBL2534	120-250VDC		0.21-0.08									
MBL4027	15.5 / 7.03	40	12-24VDC	3.33-1.67	T5	-	T5	-	T4	-	T4	-
MBL4030			120-277VAC	0.33-0.14								
MBL5027		50	12-24VDC	4.17-2.08	T5	-	T5	-	T4	-	T4	-
MBL5030			120-277VAC	0.42-0.18								

TYPICAL WEIGHTS (LBS.) W/STANDARD GLOBE AND GUARD - MBL SERIES				
14-25W	Pendant 14.96	Ceiling 15.96	Wall 19.30	Stanchion 16.83
40-50W	Pendant 20.96	Ceiling 21.69	Wall 25.30	Stanchion 22.83

DELIVERED LUMENS					
WATTS	MBL + MBG	MBL + VMR	MBL + VZRXF8	L70	
				TM-21	CALCULATED
14	910	800	980	60100	270000
20	1785	1570	2009	60100	270000
22	1365	1201	1427	60100	270000
25	2485	2236	3186	72600	278000
40	3625	3821	-	60100	270000
50	5824	6139	-	72600	278000

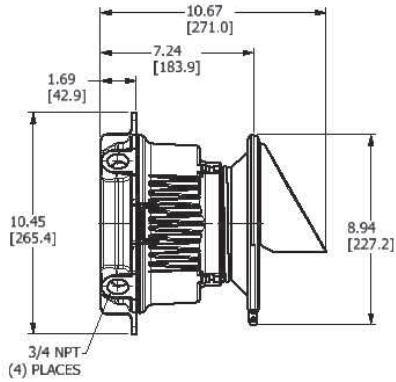
**Special Aiming Angles  
Wall Mount MBL with Pathway  
Reflector**



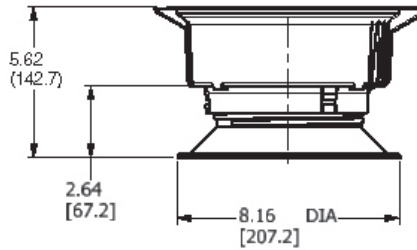
14W-25W MBL Housings with 8" Flat Spin-Top Lens may be aimed from 135° to 0° with or without the VZRF8PF Pathway Reflector. Pathways Reflector must NOT be aimed upwards in a Class II (Dust) environment, or where any contaminant may be collected. Applications include tunnels, lighting dark spots around ceiling piping or pathways near handrails.



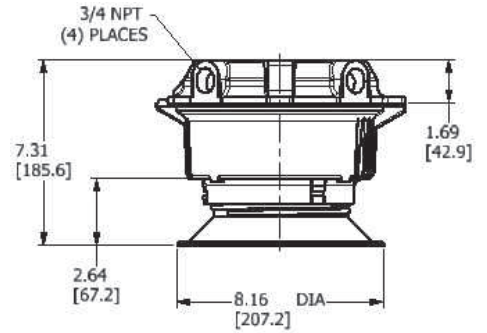
## COMPACT SIZE – DIMENSIONS & WEIGHTS



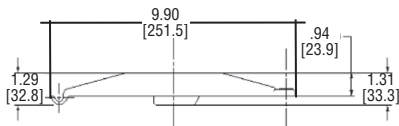
**MBL Flat Lens, Pathway Reflector Wall Mount**



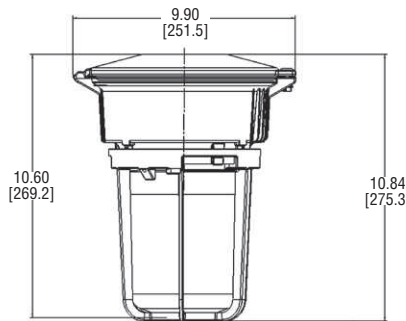
**MBL Tank with Flat Lens**



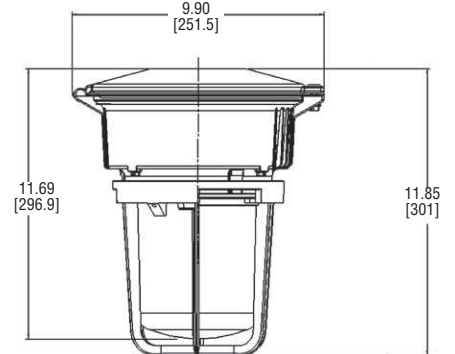
**MBL Flat Lens Ceiling Mount**



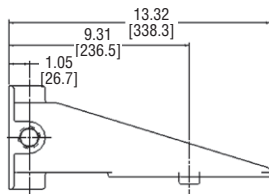
**MBA Pendant**



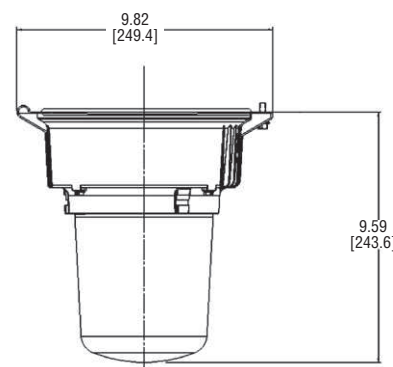
**MBL Pendant, Globe, Guard**



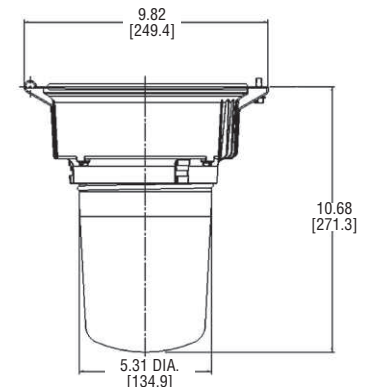
**MBL Pendant, Refractor, Guard**



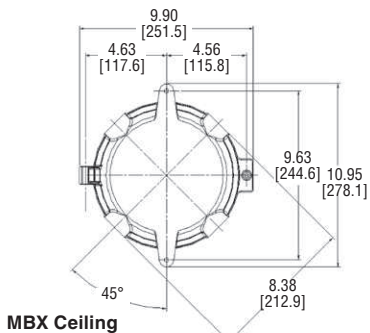
**MBB Wall Mount**



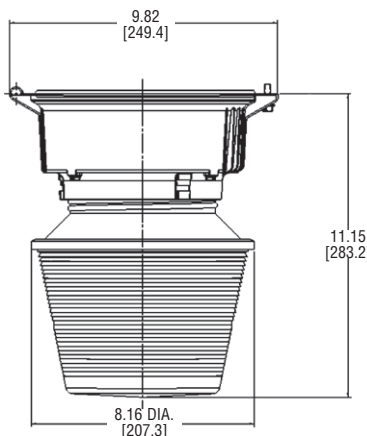
**MBL & MBG Globe Only**



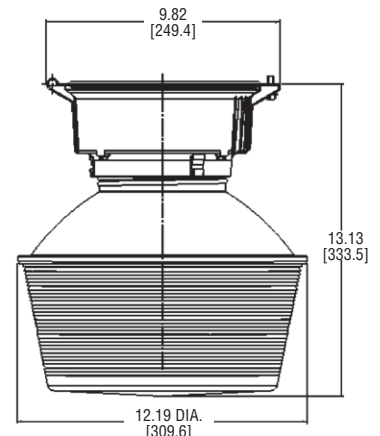
**MBL & VMR Refractor**



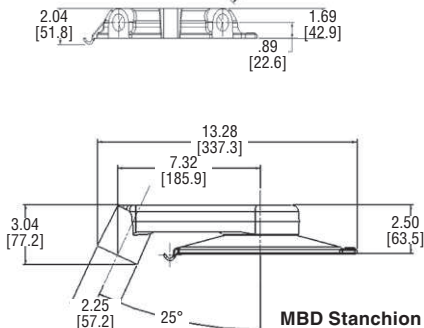
**MBX Ceiling**



**MBL & 8" Type V Spin-top**



**MBL & 12" Type V Spin-top**



**MBD Stanchion**



## REDUCED PROFILE – INTRODUCTION



Class I, Div. 2, Groups A,B,C,D  
 Class I, Zone 2, Groups IIC,IIB,IIA  
 Class II, Div. 1 & 2, Groups E,F,G  
 Class III  
 Suitable for wet locations  
 Marine Rated (US only)  
 Type 3, 4X

Certified - File LR11713

## CERTILite<sup>®</sup> V LED

### FEATURES-SPECIFICATIONS

#### Applications

CertiLite<sup>®</sup> VM1L LED fixtures are designed for installations where moisture, dirt, dust, corrosion and vibration may be present, or Type 3 and 4X areas where wind, water, snow, or high ambients can be expected. They can be used in locations made hazardous by the presence of flammable vapors or gases or combustible dusts as defined by the NEC.

Typical applications include manufacturing plants, and certain chemical and petrochemical processing facilities, sewage treatment plants, off-shore and dockside installations, garages and storage facilities.

#### Compliances

- UL-8750 for LED lighting
- UL-844 Standard for lighting fixtures for hazardous locations, Class I, Division 2; Class II, Divisions 1 and 2; Class III
- CSA C22.2 no. 137-M1981 electric luminaries for use in hazardous locations
- Enclosed and gasketed
- Type 3, 4X

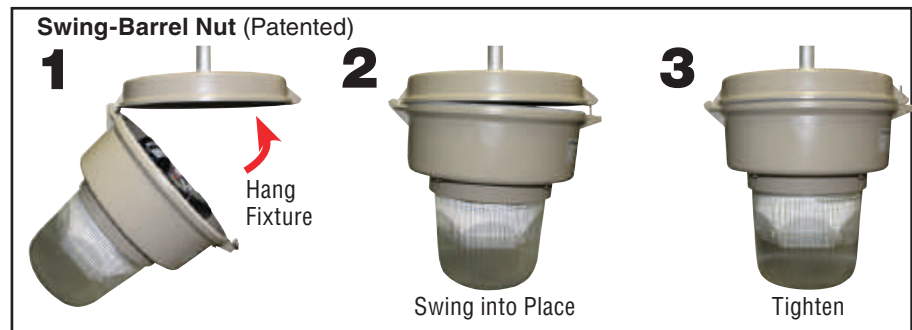
#### Materials

- Housing, splice box and cast guards corrosion resistant copper-free aluminum alloy
- Baked powder epoxy/polyester finish, electrostatically applied for complete, uniform corrosion protection
- All external hardware - stainless steel
- Reflectors - Polyester reinforced fiberglass

#### LED Luminaire Features and Standards

Supplemental **20KA/10KV Surge Protection** is **standard** (for 120-277 VAC models)  
**10KA/10KV Surge Protection** (for 347-480 VAC)

- Reduced profile with Traditional Industrial Appearance and Suitability
- Wide variety of optics including globes, globes with reflectors, all-glass refractors, and spin-top refractors
- Swing-Barrel Nut patented tank mounting system
- Optional Mounting arrangements including Pendant, Wall, Ceiling, Stanchion and others
- VM1L LED Housings can be retrofitted to existing VM splice boxes; upgrade from HID sources
- Energy Savings – less than 55 Watts of Power
- LED Array Life – 100,000+ hours with 70% initial lumens
- Long Fixture Life – 50,000 - 55,000 maintenance free hours
- Crisp White Light for Excellent Color Rendering – Chromaticity 5000°K (CCT); 70 CRI
- Ambient suitability -40°C to 55°C
- Instant on – including after power interruption
- “World Voltage” 120-277VAC 50/60Hz
- Solder-LESS LED Board Connections – Vibration Resistant
- Dual Driver Option (DDR) – For additional energy savings, half of the fixture can be turned off



Polycarbonate 12” Spin-top Refractor VZRG2550



**Photo controls – Class I Div. 2 / N4X areas**  
 Available as Field or Factory Installed to save energy when light not required.



**Earthquake Tab –**  
 Built-in attachment point for safety cables.  
**Safety: Secures fixture to structure in case of conduit failure.**

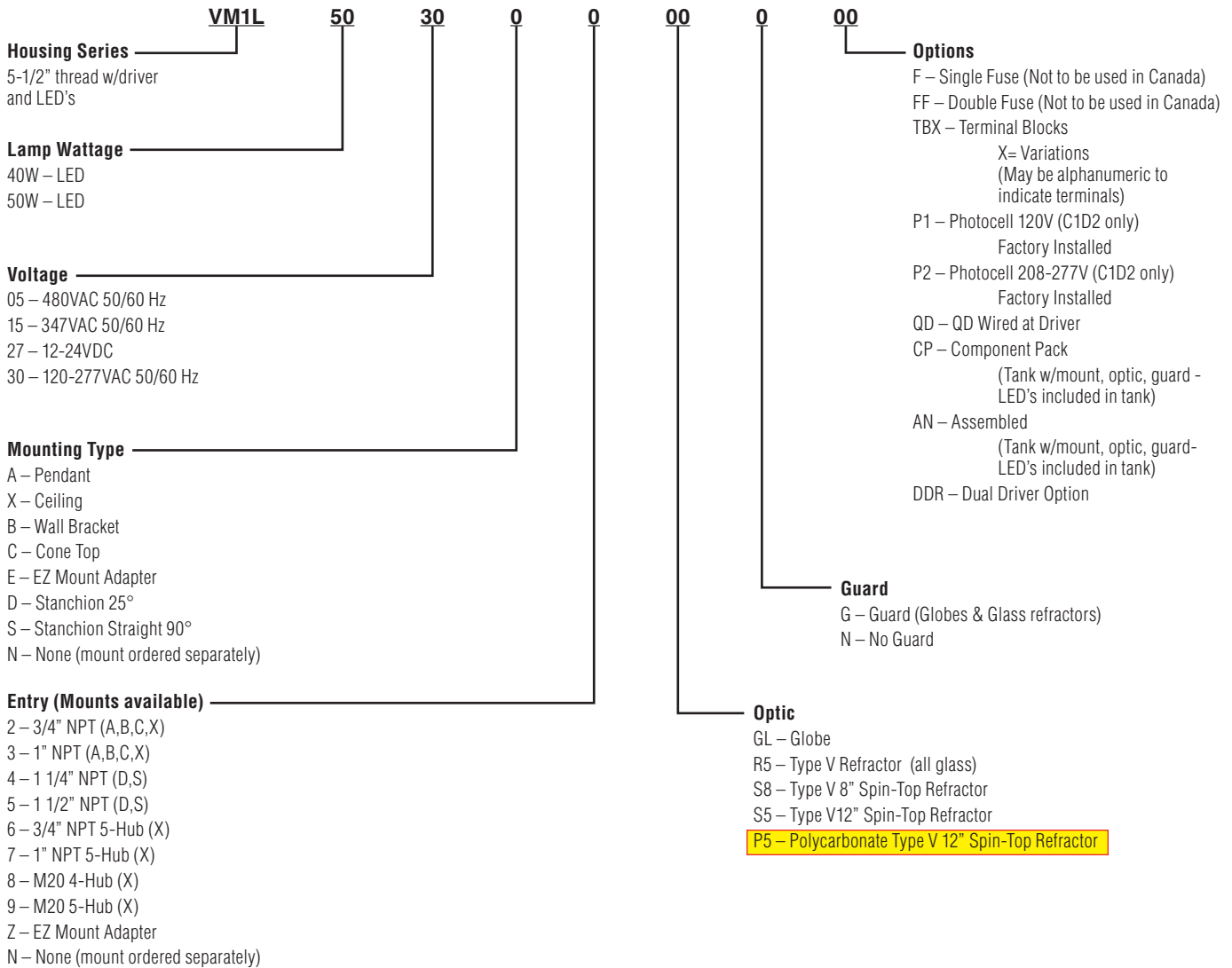


# LIGHTING

## REDUCED PROFILE – CATALOG LOGIC

# CERTILITE<sup>®</sup>V LED

### CertiLite<sup>®</sup>V LED Catalog Number Logic





VM1L SERIES

# KILLARK

REDUCED PROFILE – ORDERING INFORMATION



**ORDERING INFORMATION**

VM1L SERIES PENDANT WITH OPTIC AND GUARD						
WATTS	HUB SIZE	VOLTAGE	GLOBE & GUARD	TYPE V GLASS REFRACTOR & GUARD	8" SPIN-TOP TYPE V REFRACTOR & GUARD	12" SPIN-TOP TYPE V REFRACTOR & GUARD
40	3/4"	120-277VAC	VM1L4030A2GLG	VM1L4030A2R5G	VM1L4030A2S8G	VM1L4030A2S5G
50	3/4"	120-277VAC	VM1L5030A2GLG	VM1L5030A2R5G	VM1L5030A2S8G	VM1L5030A2S5G

VM1L SERIES CEILING WITH OPTIC AND GUARD						
WATTS	HUB SIZE	VOLTAGE	GLOBE & GUARD	TYPE V GLASS REFRACTOR & GUARD	8" SPIN-TOP TYPE V REFRACTOR & GUARD	12" SPIN-TOP TYPE V REFRACTOR & GUARD
40	3/4"	120-277VAC	VM1L4030X2GLG	VM1L4030X2R5G	VM1L4030X2S8G	VM1L4030X2S5G
50	3/4"	120-277VAC	VM1L5030X2GLG	VM1L5030X2R5G	VM1L5030X2S8G	VM1L5030X2S5G

VM1L SERIES WALL WITH OPTIC AND GUARD						
WATTS	HUB SIZE	VOLTAGE	GLOBE & GUARD	TYPE V GLASS REFRACTOR & GUARD	8" SPIN-TOP TYPE V REFRACTOR & GUARD	12" SPIN-TOP TYPE V REFRACTOR & GUARD
40	3/4"	120-277VAC	VM1L4030B2GLG	VM1L4030B2R5G	VM1L4030B2S8G	VM1L4030B2S5G
50	3/4"	120-277VAC	VM1L5030B2GLG	VM1L5030B2R5G	VM1L5030B2S8G	VM1L5030B2S5G

VM1L SERIES CONE WITH OPTIC AND GUARD						
WATTS	HUB SIZE	VOLTAGE	GLOBE & GUARD	TYPE V GLASS REFRACTOR & GUARD	8" SPIN-TOP TYPE V REFRACTOR & GUARD	12" SPIN-TOP TYPE V REFRACTOR & GUARD
40	3/4"	120-277VAC	VM1L4030C2GLG	VM1L4030C2R5G	VM1L4030C2S8G	VM1L4030C2S5G
50	3/4"	120-277VAC	VM1L5030C2GLG	VM1L5030C2R5G	VM1L5030C2S8G	VM1L5030C2S5G

# LIGHTING

VM1L SERIES



## REDUCED PROFILE – ORDERING INFORMATION



STANCHION 25°



STANCHION STRAIGHT



EZ ADAPTER

### ORDERING INFORMATION

VM1L SERIES 25° STANCHION WITH OPTIC AND GUARD						
WATTS	HUB SIZE	VOLTAGE	GLOBE & GUARD	TYPE V GLASS REFRACTOR & GUARD	8" SPIN-TOP TYPE V REFRACTOR & GUARD	12" SPIN-TOP TYPE V REFRACTOR & GUARD
40	1-1/2"	120-277VAC	VM1L4030D5GLG	VM1L4030D5R5G	VM1L4030D5S8G	VM1L4030D5S5G
50	1-1/2"	120-277VAC	VM1L5030D5GLG	VM1L5030D5R5G	VM1L5030D5S8G	VM1L5030D5S5G

VM1L SERIES STRAIGHT STANCHION WITH OPTIC AND GUARD						
WATTS	HUB SIZE	VOLTAGE	GLOBE & GUARD	TYPE V GLASS REFRACTOR & GUARD	8" SPIN-TOP TYPE V REFRACTOR & GUARD	12" SPIN-TOP TYPE V REFRACTOR & GUARD
40	1-1/2"	120-277VAC	VM1L4030S5GLG	VM1L4030S5R5G	VM1L4030S5S8G	VM1L4030S5S5G
50	1-1/2"	120-277VAC	VM1L5030S5GLG	VM1L5030S5R5G	VM1L5030S5S8G	VM1L5030S5S5G

VM1L SERIES EZ ADAPTER WITH OPTIC AND GUARD						
WATTS	HUB SIZE	VOLTAGE	GLOBE & GUARD	TYPE V GLASS REFRACTOR & GUARD	8" SPIN-TOP TYPE V REFRACTOR & GUARD	12" SPIN-TOP TYPE V REFRACTOR & GUARD
40	NA	120-277VAC	VM1L4030EZGLG	VM1L4030EZR5G	VM1L4030EZR5G	VM1L4030EZR5G
50	NA	120-277VAC	VM1L5030EZGLG	VM1L5030EZR5G	VM1L5030EZR5G	VM1L5030EZR5G

MOUNTING BOXES FOR EZ ADAPTER				
CATALOG NUMBER				HUB SIZE
PENDANT	CEILING	BRACKET	STANCHION	
EZA2	EZX2	EZB2	—	3/4"
EZA3	EZX3	EZB3	—	1"
—	—	—	EZD4A	1-1/4"/1-1/2"



Pendant



Ceiling



Wall Bracket



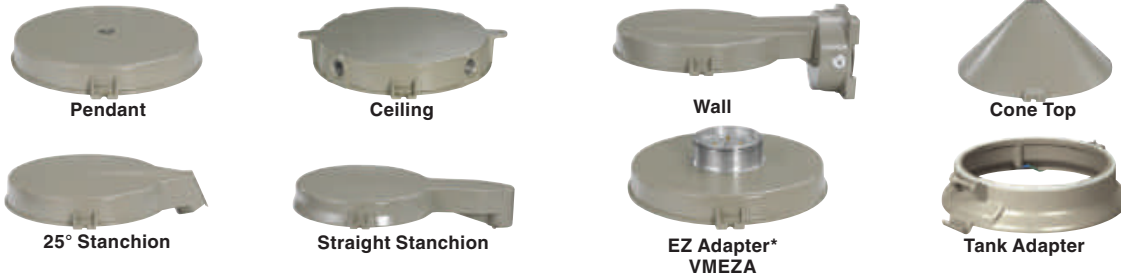
25° Stanchion



VM1L SERIES

# KILLARK

## REDUCED PROFILE – COMPONENTS



CERTILITE® VM MOUNTING SPLICE BOXES							
HUB SIZE	CATALOG NUMBER						
	PENDANT	CEILING 4 HUB	CEILING 5 HUB	WALL	CONE TOP	25 DEGREE STANCHION	90 DEGREE STANCHION
3/4"	VMA2B	VMX2B	VMX6B	VMB2B	VMC2B	—	—
1"	VMA3B	VMX3B	VMX7B	VMB3B	VMC3B	—	—
1-1/4"	—	—	—	—	—	VMD4B	VMS4B
1-1/2"	—	—	—	—	—	VMD5B	VMS5B
M-20	—	VMX8B**	VMX9B**	VMB8B**	—	—	—

\* VMEZA is used between a driver tank and an EZ mount-ordered separately.

\*\* Furnished with Ⓢ non-metallic plugs. Also available: VMB10B wall 4xM25 hubs, and VMB810B 2xM20 side hubs and 2xM25 top/bottom

VM1L LED OPTICS AND ACCESSORIES		
DESCRIPTION	OPTIC LOGIC	GUARD
Globe (glass)	VMG17 (GL)	VMAG17
Refractor (all glass) Type V	VMR175 (R5)	VMAG17
Refractor (spin top) 8" Type V	VZRG1550 (S8)	VMRWG8
Refractor (spin top) 12" Type V	VZRG2550 (S5)	VMRWGS
Refractor polycarbonate (spin-top) 12" Type V	VZRP175 (P5)	VMRWGS
DOME REFLECTOR (Polyester reinforced fiberglass)	VMPSD40	NA
ANGLE REFLECTOR (Polyester reinforced fiberglass)	VMPA40	NA
120VAC Photocell with FS Style Cover	VMFSPC1	NA
208-277VAC Photocell with FS Style Cover	VMFSPC2	NA
3-sided EXIT Accessory (use without guard)	VEXA100B	NA
Tank adapter to Crouse-Hinds® VM Series mounts*	VMCHVM	NA

ORDERING INFORMATION AND AMBIENT SUITABILITY						C1D2		C2D1		L70		
CATALOG NO.	WEIGHT LBS./KG	WATTS	VOLTAGE	AMPS	VMG15 LUMENS	VMR175 LUMENS	40°C	55°C	40°C	55°C	TM-21	CALCULATED
VM1L4005	15.50 / 7.03	40	480 VAC	0.09	5267	5060	T6	T5	T4 (EFG)	60100	270,000	
VM1L4015			347 VAC	0.13								
VM1L4027			12-24VDC	3.33-1.67								
VM1L4030			120-277VAC	0.36-0.16								
VM1L5005	15.50 / 7.03	50	480 VAC	0.10	6162	6427	T5	T4A	T4 (EFG)	72600	278,000	
VM1L5015			347 VAC	0.14								
VM1L5027			12-24VDC	4.17-2.08								
VM1L5030			120-277VAC	0.43-0.18								

OPTICS




VMG17

VMR175




VZRG1550

VZRG2550




VMAG17

VMRWG8  
VMRWGS




VMPSD40

VMPA40




VMFSPC1

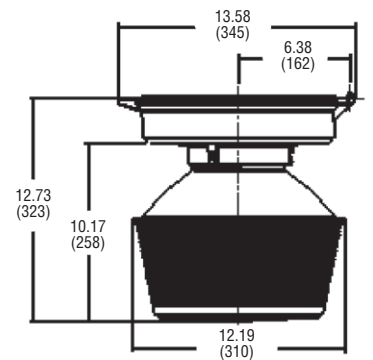
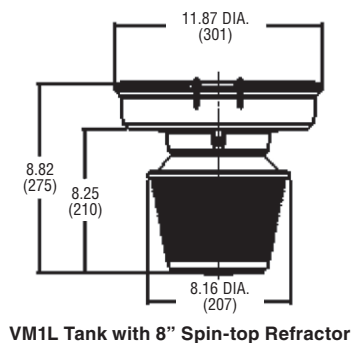
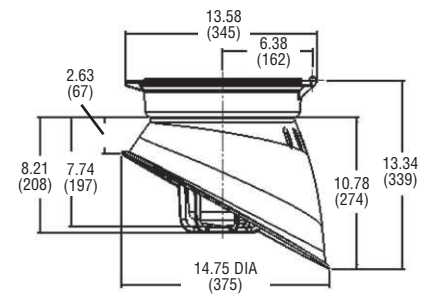
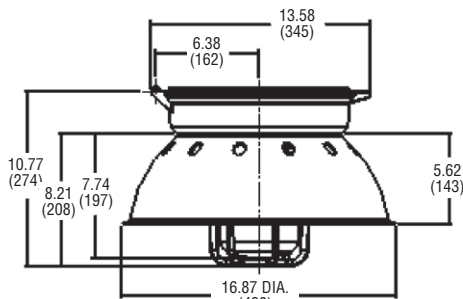
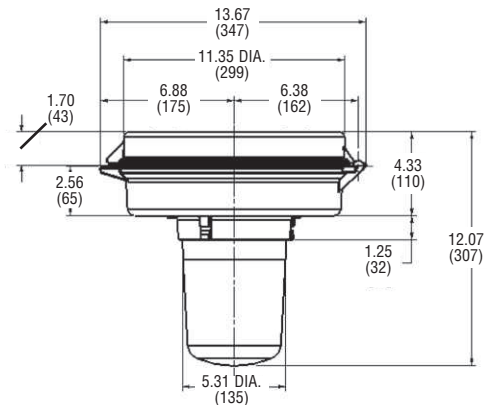
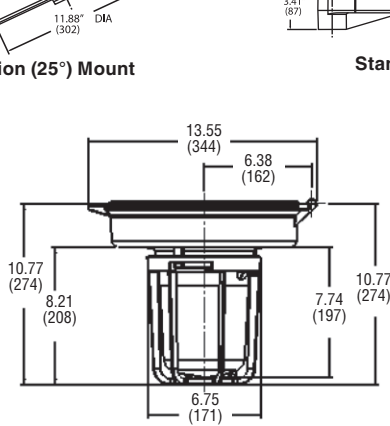
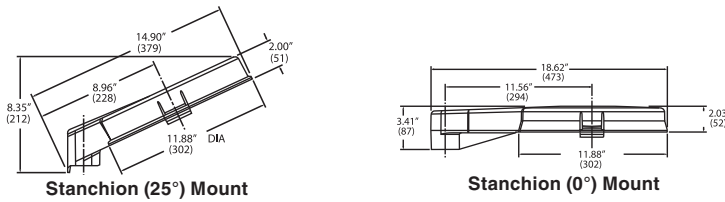
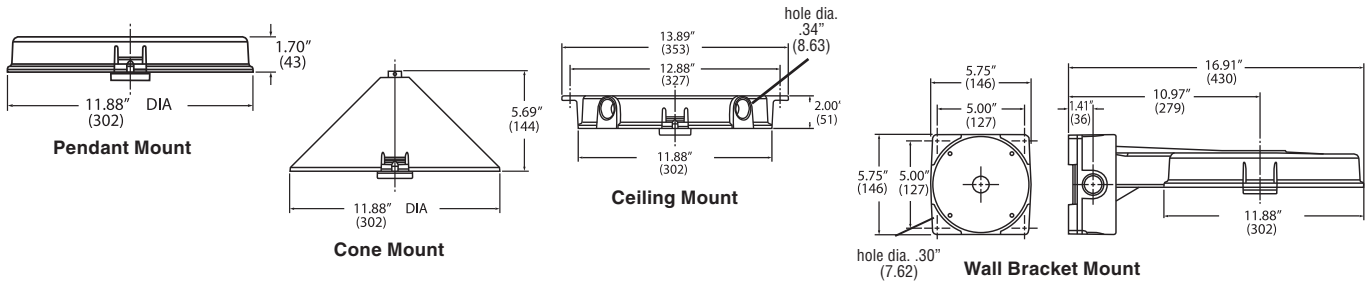
VEXA100B

TYPICAL WEIGHTS (LBS.) W/ STANDARD GLOBE AND GUARD - VM1L SERIES			
Pendant 23.00	Ceiling 24.10	Wall 27.50	Stanchion 23.90





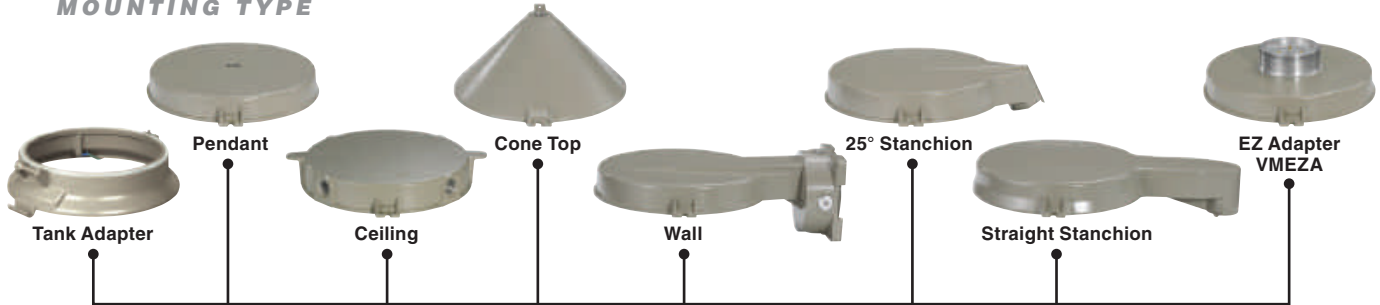
## REDUCED PROFILE – DIMENSIONS & WEIGHTS





## HOUSING FIXTURE ASSEMBLY GUIDE

**MOUNTING TYPE**



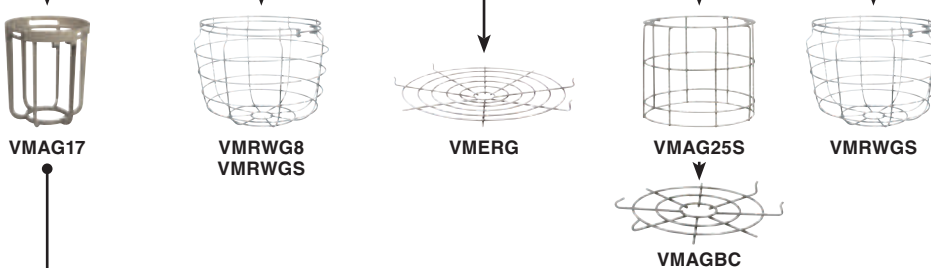
**TANK**



**OPTIC**



**GUARD**



**REFLECTOR**



# LIGHTING

## VM2&4LB, VM2&4LC SERIES



### HIGH WATTAGE – INTRODUCTION



VM2LB with Globe/  
Guard



VM4LB with Globe/  
Guard



VM4LC with Flat Lens



Class I, Div. 2, Groups A, B, C, D  
Class I, Zone 2, Groups IIC, IIB, IIA  
Class II, Div. 1 & 2, Groups E, F, G  
Class III  
Suitable for wet locations  
Type 3, 4X  
IP66  
Marine Rated (US only)

CSUS Certified - File LR11713

IECEx Rated Models (VM4L with IEx suffix)  
Ex nA IIC T4, Gc / Ex tb IIIC T83°C Db  
Tamp -40°C ≤Ta ≤+65°C, IP66

IECEx Certificate  
QPS 15.0006

INMETRO Certificate  
IEx 16.0137

ATEX Certificate  
CML 15ATEX4101X(nA)  
&  
CML 15ATEX3102X(tb)

Contact Factory for other certification details



Consult website  
for current list of  
approved luminaires

## CERTILITE<sup>®</sup> V LED

### FEATURES-SPECIFICATIONS

#### Applications

CERTILITE<sup>®</sup> V VM4L LED fixtures are designed for installations where moisture, dirt, dust, corrosion and vibration may be present, or Type 3 and 4X areas where wind, water, snow or high ambients can be expected. They can be used in locations made hazardous by the presence of flammable vapors or gases or combustible dusts as defined by the NEC/CEC/IECEx/ATEX & INMETRO.

Typical applications include manufacturing plants, food processing, certain chemical and petrochemical processing facilities, sewage treatment plants, off-shore and dockside installations, garages and storage facilities.

#### Compliances

- UL-8750 for LED lighting
- UL-844 Standard for lighting fixtures for hazardous locations, Class I, Division 2; Class II, Divisions 1 and 2; Class III
- CSA C22.2 no. 137-M1981 electric luminaires for use in hazardous locations
- Enclosed and gasketed
- Type 3, 4X
- IP66 & Marine
- Self-testing per NFPA 101<sup>®</sup> Life Safety Code

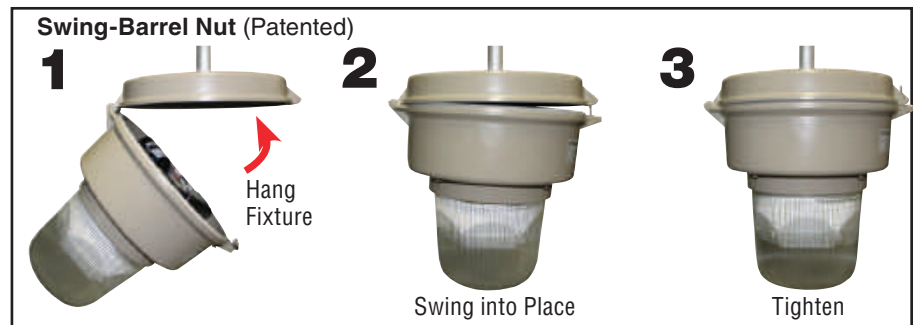
#### Materials

- Housing, splice box and cast guards corrosion resistant copper-free aluminum alloy
- Baked powder epoxy/polyester finish, electrostatically applied for complete, uniform corrosion protection
- All external hardware – stainless steel
- Reflectors – Polyester reinforced fiber glass or aluminum

### LED Luminaire Features and Standards

Supplemental **20KA/10KV Surge Protection** is **standard** (for 120-277 VAC models)  
**10KA/10KV Surge Protection** (for 347-480 VAC)

- Traditional Industrial Appearance, Suitability, and Photometric Performance
- Wide variety of optics including globes, globes with reflectors, all-glass refractors, spin-top refractors and flat lens
- Swing-Barrel Nut patented tank mounting system
- Optional Mounting arrangements including Pendant, Wall, Ceiling, Stanchion and others
- VM4L LED Housings can be retrofitted to existing VM splice boxes; upgrade from HID sources
- **VM2Lx housing is 1.56" shallower for low ceilings**
- Crisp White Light for Excellent Color Rendering – Chromaticity 5000 K (CCT range); approx. 70 CRI
- Energy Savings – less than 130 Watts of Power
- LED Array Life – 100,000+ hours with 70% initial lumens
- Long Fixture Life – 50,000 - 55,000 maintenance free hours
- Ambient suitability -40°C to 65°C (see tables). **-20°C to 50°C Ambient suitability for Emergency models.**
- Instant On – Including after power interruption
- World Voltage 120 – 277VAC 50/60Hz
- Solder-LESS LED Board Connections – Vibration Resistant
- Dual Driver Option (DDR) – For additional energy savings, half of the fixture can be turned off.
- Two LED internal heat sink styles
  - » Bulb VM2LB/VM4LB
  - » Concave VM2LC/VM4LC





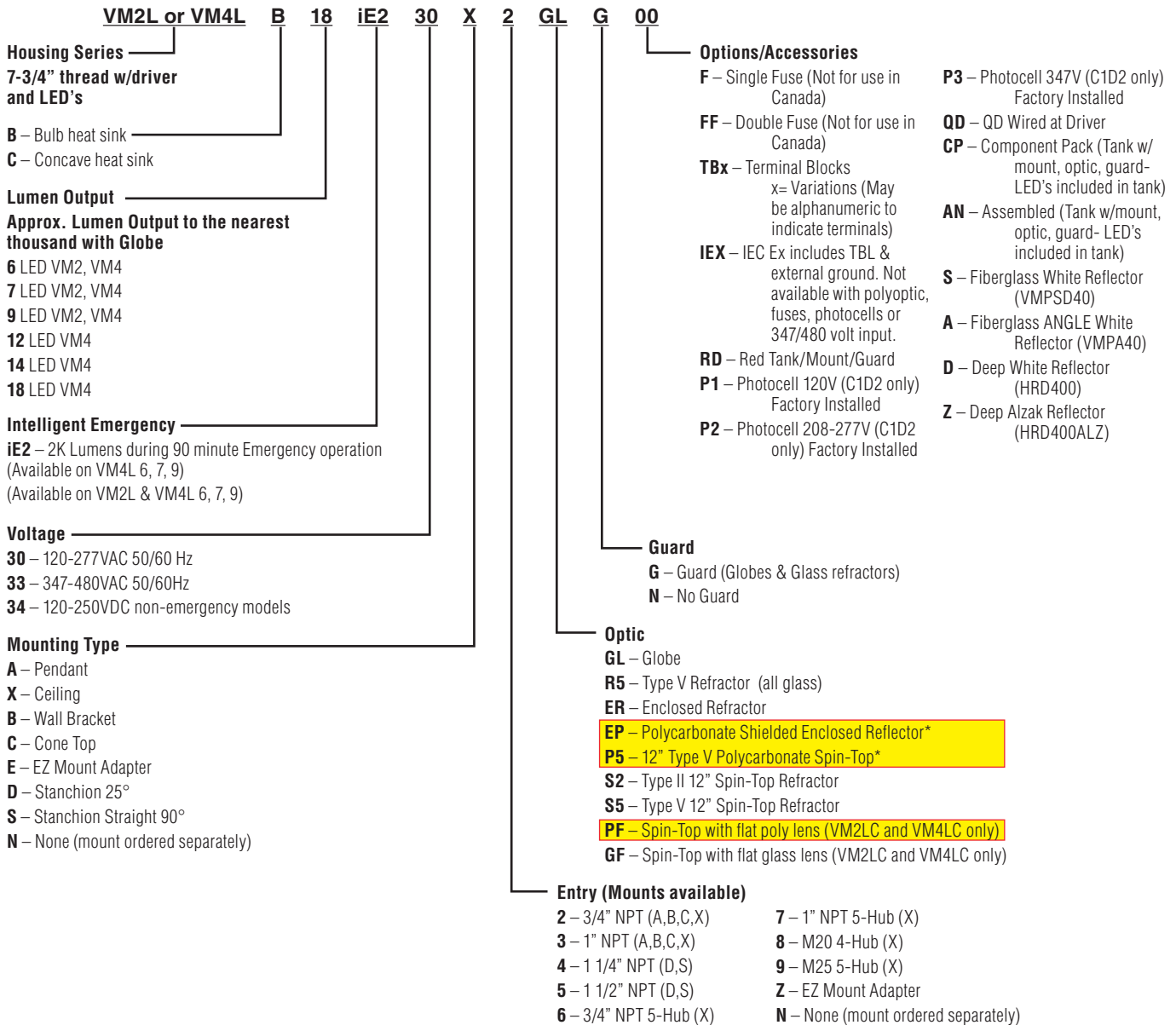
HIGH WATTAGE – CATALOG LOGIC

## CERTILITE<sup>®</sup>V LED

Killark high efficiency LED Luminaries require NO external heat sink which adds weight and collects dust and other contaminants



### CertiLite<sup>®</sup>V LED Catalog Number Logic



\*Non-glass Group G Food Processing Suitability

# LIGHTING

## VM2&4LB, VM2&4LC SERIES



### HIGH WATTAGE – OPTICS AND ACCESSORIES

CATALOG NUMBER	DELIVERED LUMENS								
	VMG25	VMR255	VMER40	VMEP40	VZRP175B	VZRG4020	VZRG4050	VZRPF12	VZRGF12
	GL	R5	ER	EP	P5	S2	S5	PF	GF
VM4LB6(XX)(YY)N	6278	5915	4575	4336	4692	4771	4879		
VM4LC6(XX)(YY)N	6223	5127	4645	4041	4880	4989	4914	5570	5644
VM4LB7(XX)(YY)N	7437	6996	5589	5210	5846	5968	5973		
VM4LC7(XX)(YY)N	7344	6026	5491	4776	5757	5892	5830	6563	6679
VM4LB9(XX)(YY)N	9692	9084	7465	6933	7928	8090	8078		
VM4LC9(XX)(YY)N	9453	7746	6973	6093	7420	7671	7482	8492	8647
VM4LB12(XX)(YY)N	12750	12020	9804	9168	10410	10550	9168		
VM4LC12(XX)(YY)N	12300	10380	9470	8165	9969	10190	10030	11370	11570
VM4LB14(XX)(YY)N	14760	13810	11240	10430	11890	12110	12010		
VM4LC14(XX)(YY)N	14120	11980	10910	9417	11460	11810	11520	13080	13300
VM4LB18(XX)(YY)N	17710	16700	14080	13050	14910	15050	15140		
VM4LC18(XX)(YY)N	17820	14530	13380	11480	13970	14390	14190	15940	16270

(XX) = VOLTAGE  
(YY) = MOUNT



VMG25



VMR255



VMER40



VMEP40



VZRP175B



VZRG4020



VZRG4050



VZRPF/VZRGF

TYPICAL WEIGHTS (LBS./KG) W/STANDARD GLOBE AND GUARD - VM4LB/C SERIES			
Pendant 33.4/15.2	Ceiling 33.0/15.0	Wall 37.9/17.2	Stanchion 34.3/15.6

ORDERING INFORMATION AND AMBIENT SUITABILITY					C1D2			C2D1		
CATALOG NO. ②	TYPICAL TANK ONLY WEIGHT LBS./KG	WATTS	VOLTAGE	AMPS ①	40°C	55°C	65°C	40°C	55°C	65°C
VM4L(Y)630	18.90 / 8.57	40	120-277 VAC	0.35-0.16	T4A	T4A	T4	EFG		
VM4L(Y)633		40	347-480VAC	0.12-0.09						
VM4L(Y)634		40	120-250VDC	0.33-0.16						
VM4L(Y)730		50	120-277 VAC	0.43-0.21	T4A	T4A	T4	EFG		
VM4L(Y)733		50	347-480VAC	0.15-0.12						
VM4L(Y)734		50	120-250VDC	0.42-0.20						
VM4L(Y)930		65	120-277 VAC	0.56-0.24	T4A	T4A	T4	EFG		
VM4L(Y)933		65	347-480VAC	0.19-0.14						
VM4L(Y)934		65	120-250VDC	0.54-0.26						
VM4L(Y)1230		90	120-277 VAC	0.77-0.33	T4A	T4	-	EFG	-	
VM4L(Y)1233		90	347-480VAC	0.27-0.19						
VM4L(Y)1234		90	120-250VDC	0.75-0.36	T4A	T4	-	EFG	-	
VM4L(Y)1430		105	120-277 VAC	0.89-0.39						
VM4L(Y)1433		105	347-480VAC	0.31-0.23						
VM4L(Y)14834		105	120-250VDC	0.88-0.42	T4A	T4	-	EFG	-	
VM4L(Y)1830		130	120-277 VAC	1.10-0.46						
VM4L(Y)1833		130	347-480 VAC	0.38-0.27						

ORDERING INFORMATION AND AMBIENT SUITABILITY					C1D2			C2D1		
CATALOG NO. ②	TYPICAL TANK ONLY WEIGHT LBS./KG	WATTS	VOLTAGE	AMPS ①	40°C	55°C	65°C	40°C	55°C	65°C
VM2L(Y)630	17.65 / 8.00	40	120-277 VAC	0.35-0.16	T4A	T4A	T4	EFG		
VM2L(Y)633		40	347-480VAC	0.12-0.09						
VM2L(Y)634		40	120-250VDC	0.33-0.16						
VM2L(Y)730		50	120-277 VAC	0.43-0.21	T4A	T4A	T4	EFG		
VM2L(Y)733		50	347-480VAC	0.15-0.12						
VM2L(Y)734		50	120-250VDC	0.42-0.20						
VM2L(Y)930		65	120-277 VAC	0.56-0.24	T4A	T4A	T4	EFG		
VM2L(Y)933		65	347-480VAC	0.19-0.14						
VM2L(Y)934		65	120-250VDC	0.54-0.26						

① For a given wattage current values are the same, regardless of tank type VM2LB/C or VM4LB/C.

② Replace (Y) with heat sink style B or C.



## HIGH WATTAGE SELF-TESTING EMERGENCY

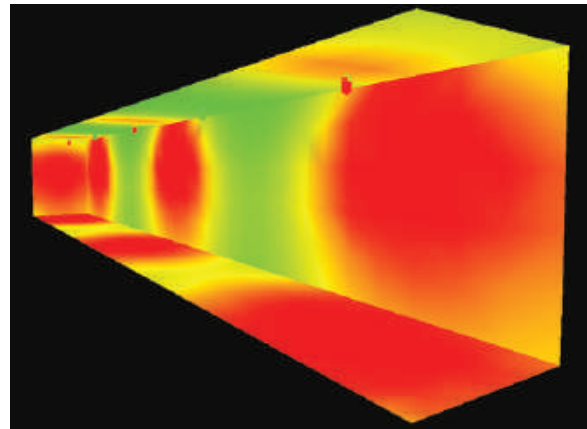
### Electronics Includes:

- Self-diagnostics monitors LED status, LED driver circuit, battery capacity and charger function and displays any fault detection by means of a flashing code
- Self-Test feature automatically runs a 1 minute test once a month and an alternating 30-60 minute test once every 6 months. LED indicator provides visible fault detection and charging status
- User initiated 1, or 90-minute system test feature
- 15 minute re-transfer delay
- Automatic unit transfer in brown-out conditions (below 80% of nominal AC input voltage)

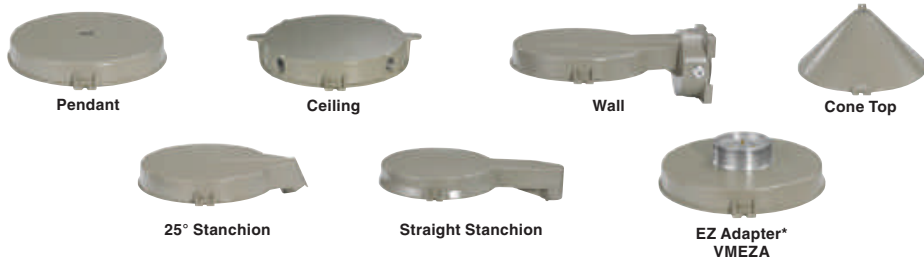
INDICATOR STATUS SIGNAL	DESCRIPTION OF STATUS SIGNAL
0.5s ON and 0.5s OFF	Battery disconnected.
2.5s ON and 2.5s OFF	LED load disconnected.
4.5s ON and 0.5s OFF	Driver in self-diagnostic mode.
1.5s ON and 3.5s OFF	Battery needs to be replaced.
0.5s ON and 4.5s OFF	Damaged driver. Replace
ON	Normal/Charging.
OFF (LED Load ON)	Discharging / Emergency Operation



### LED Emergency Lighting Design



## HIGH WATTAGE – COMPONENTS



CERTILITE® VM MOUNTING SPLICE BOXES							
HUB SIZE	CATALOG NUMBER						
	PENDANT	CEILING 4 HUB	CEILING 5 HUB	WALL	CONE TOP	25 DEGREE STANCHION	STRAIGHT STANCHION
3/4"	VMA2B	VMX2B	VMX6B	VMB2B	VMC2B	—	—
1"	VMA3B	VMX3B	VMX7B	VMB3B	VMC3B	—	—
1-1/4"	—	—	—	—	—	VMD4B	VMS4B
1-1/2"	—	—	—	—	—	VMD5B	VMS5B
M-20	—	VMX8B	VMX9B	VMB8B	—	—	—
M-25	—	—	—	VMB10B	—	—	—

# LIGHTING

## VM2&4LB, VM2&4LC SERIES



### HIGH WATTAGE – COMPONENTS & RATINGS



**“EZ” Mount Adapter**  
For easy fixture relocation or to repair fixture on ‘bench top’.

VMEZA adapter is used between a driver tank and EZ mount ordered separately.



Pendant



Ceiling



Wall Bracket



25° Stanchion

MOUNTING BOXES				
CATALOG NUMBER				HUB SIZE
PENDANT	CEILING	BRACKET	STANCHION	
EZA2	EZX2	EZB3	—	3/4"
EZA3	EZX3	EZB3	—	1"
—	—	—	EZD4A	1-1/4" / 1/2"*

\*1-1/2" furnished with 1-1/2"-1-1/4" reducer and extension.

#### Competitive Adapters

Designed to ease upgrading of other manufacturer’s fixtures to KILLARK LEDs where removal of existing mounting screws and conduit would be difficult and time consuming.

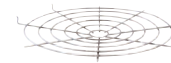
VM2L/VM4L LED OPTICS AND ACCESSORIES		
DESCRIPTION	OPTIC LOGIC	GUARD
Flat Lens (glass spin top) "C" tank only	VZRGF12 (GF)	VZRF12GRD
Flat Lens (polycarbonate spin top) "C" tank only	VZRPF12 (PF)	VZRF12GRD
Globe (glass)	VMG25 (GL)	VMAG25S
Reflector (all glass) Type V	VMR255 (R5)	VMAG25S
Enclosed Reflector	VMER40 (ER)	VMERG
Enclosed Reflector with polycarbonate Lens	VMEP40 (EP)	—
Reflector (polycarbonate spin top) 12" Type V	VZRP175B (P5)	VMRWGS
Reflector (glass spin top) 12" Type V	VZRG4050 (S5)	VMRWGS



VMAG25S



VMRWGS



VMERG



VMAGBC



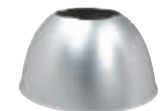
VMPSD40  
Standard Dome, Fiberglass  
White Reflector, Dia: 16"



VMPA40  
30° Angle, Fiberglass  
White Reflector, Dia:16"



HRD400  
Deep Aluminum, White  
Reflector, Dia: 21"



HRD400ALZ  
Deep Aluminum, Anodized  
Reflector, Dia: 21"



VEXA400  
Fixture not included



VMFSPC

VM2L/VM4L LED REFLECTORS AND ACCESSORIES	
DOME REFLECTOR (Polyester reinforced fiberglass)	VMPSD40
ANGLE REFLECTOR (Polyester reinforced fiberglass)	VMPA40
DEEP DOME REFLECTOR (White Painted Aluminum)	HRD400
DEEP DOME REFLECTOR (Anodized Aluminum)	HRD400ALZ
120VAC Photocell with FS Style Cover	VMFSPC1
208-277VAC Photocell with FS Style Cover	VMFSPC2
Bottom Closure for VMAG25S	VMAGBC
4-sided EXIT Accessory (use without guard)	VEXA400



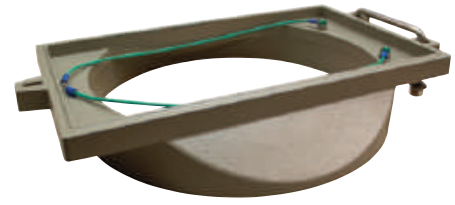
## FIXTURE ADAPTERS



VMCHVM-DEEP



VMCHVM



VMGEH2

## CERTIFIED LED

### FEATURES-SPECIFICATIONS

#### Applications

The Killark VM adapters are designed to ease upgrading of other manufacturer's fixtures to KILLARK LEDs where removal of existing mounting screws and conduit would be difficult and time consuming.

Adapters are used with the Killark Fixture Housing, Globe, guard (if applicable) and the competitive fixture splicebox. The Killark fixtures when used with the Killark adapters and appropriate competitive adapter.

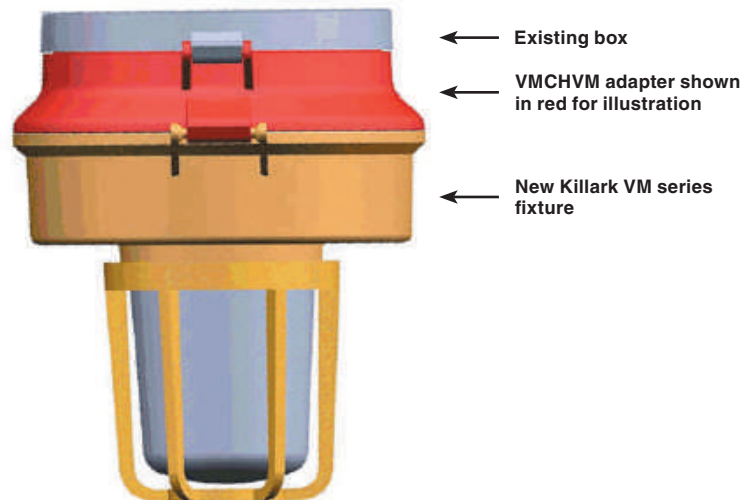
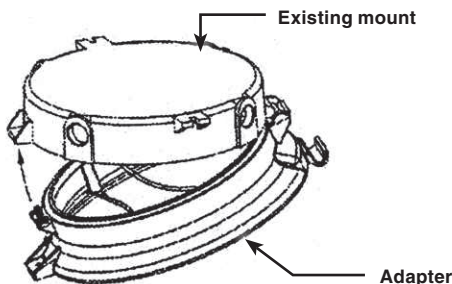
#### Features

- Fixture and competitive mount are certified together
- Baked powder epoxy/polyester finish, electrostatically applied to match the Killark VM tank
- All external hardware – Stainless Steel

Class I, Div. 2, Groups A, B, C, D  
Class II, Div. 1, Groups E, F, G  
Class III  
Type 4X



VM SERIES COMPETATIVE ADAPTERS		
CATALOG NUMBER	DESCRIPTION	EXAMPLE OF MODEL UTILIZED OR REPLACED
VMCHVM	Tank adapter to Crouse-Hinds® VM Series mounts	VMV S2 C 050 R5
VMCHVM-DEEP	Tank adapter to CH (70's era wall mount with deep box)	VMV S2 TW 050 R5
VMM2LP	Tank adapter to Appleton® MERCMaster II mounts	LPCL 50 75 J
VMM3KP	Tank adapter to Appleton® MERCMaster III mounts	KPCL 50 75 J5 MT
VMHLDS	Tank adapter to Hazlux®3 mounts	DS015 H040-TGL-P2 E1 F
VMHPP2	Tank adapter mount to Holophane® Petrolux™	PETL 250HP 27 S25 CD
VMGEH2	Tank adapter H2 mount to GE® H2 Filtr-gard™	H2 4 05L 3C GG



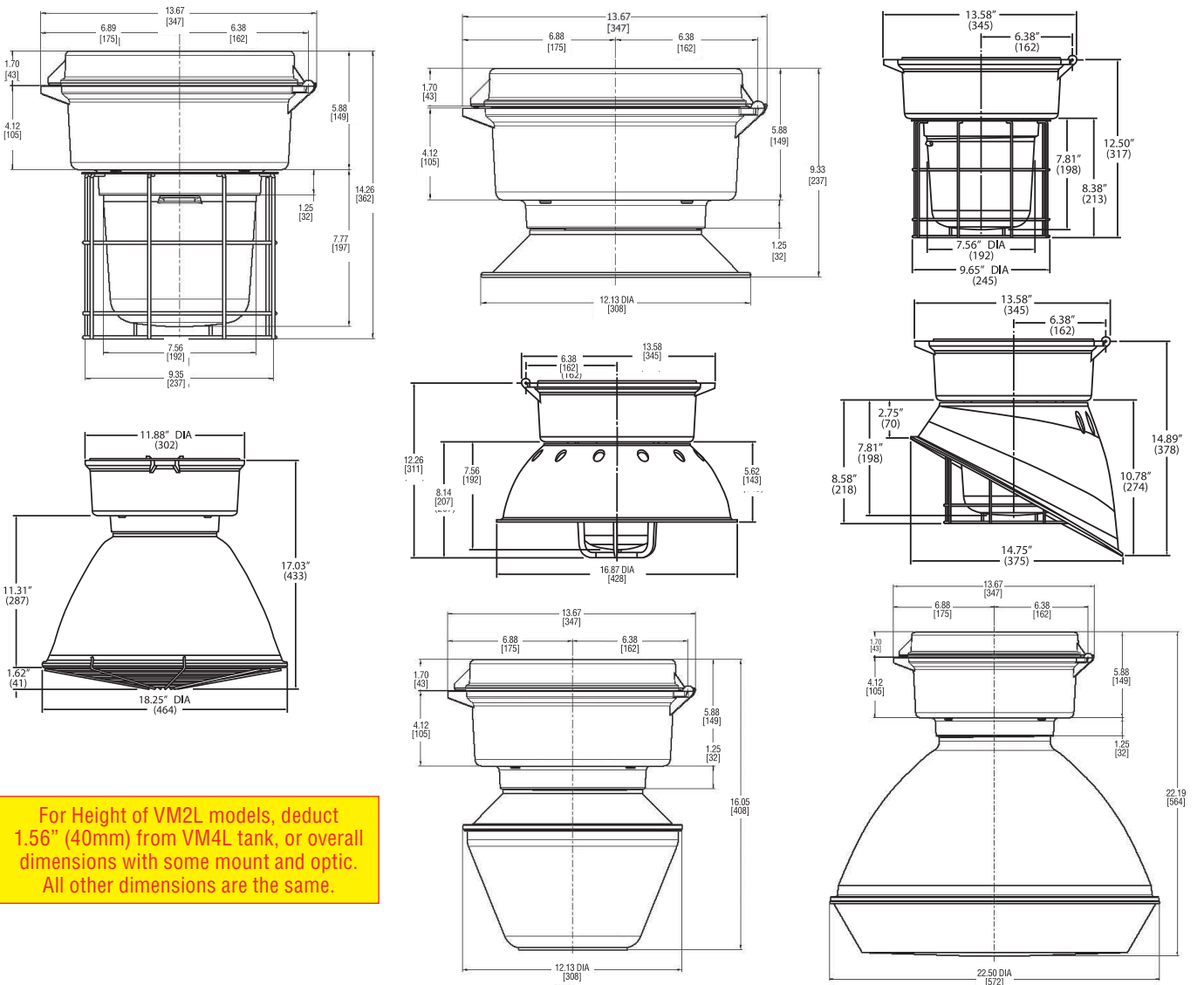
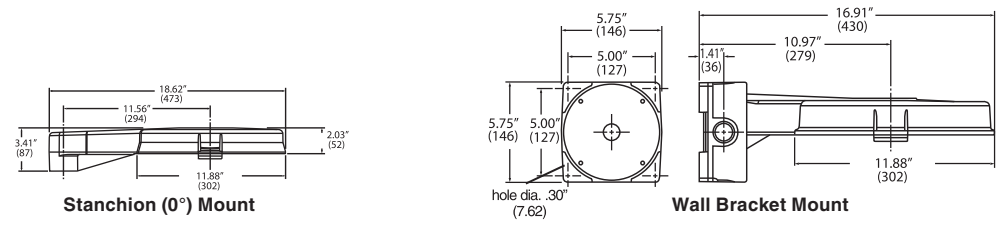
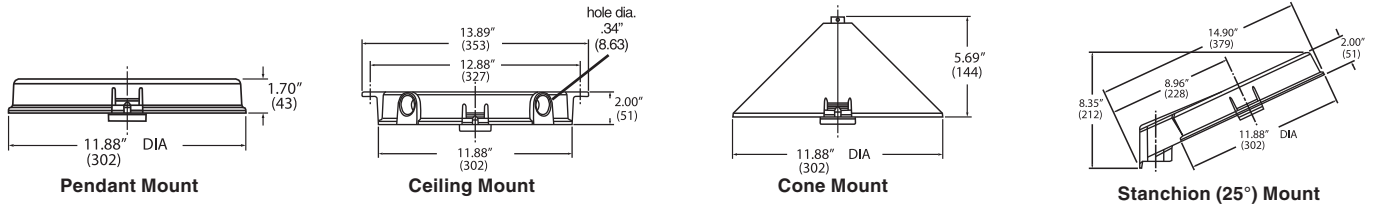


# LIGHTING

VM2&4LB, VM2&4LC SERIES



## HIGH WATTAGE – DIMENSIONS & WEIGHTS



For Height of VM2L models, deduct 1.56" (40mm) from VM4L tank, or overall dimensions with some mount and optic. All other dimensions are the same.



## EXPLOSION-PROOF – INTRODUCTION & LOGIC



Class I, Div. 1 & 2, Groups C,D  
 Class I, Zones 1 & 2, Groups IIB, IIA  
 Class II, Div. 1 & 2, Groups E,F,G  
 Class III, Div. 1 & 2  
 Suitable for wet locations  
 Suitable for Paint Spray Booth  
 Marine Rated (US only)  
 Type 3, 4, 4X  
 Factory Sealed

Certified - File LR11713

### HOSTILELITE® LED

#### FEATURES-SPECIFICATIONS Applications

HostileLite® EML LED Series fixtures are designed for installations where moisture, dirt, dust, corrosion and vibration may be present, or Type 3 and 4X areas where wind, water, snow, or high ambients can be expected. They can be used in locations made hazardous due to the presence of flammable or explosive gases, vapors and combustible dusts as defined by the NEC.

Applications include classified areas such as paint manufacturing plants, ammunition facilities, oil and gas producing and refining plants, off-shore and dockside installations, tank farms, pipeline pumping stations and marine loading and fuel transfer terminals.

#### Compliances

- UL-8750 for LED lighting
- UL-844 Electric Lighting Fixtures for use in Hazardous Locations
- UL Marine Type Electric Lighting Fixtures
- CSA C22.2 no. 137-M1981 Electric Luminaires for use in Hazardous Locations
- Type 3, 4, 4X, 7CD, 9EFG

#### Materials

- Housing, splice box and guards corrosion resistant copper-free aluminum alloy
- Baked powder epoxy/polyester finish, electrostatically applied for complete, uniform corrosion protection
- All external hardware – Stainless Steel
- Reflectors are aluminum with white finish

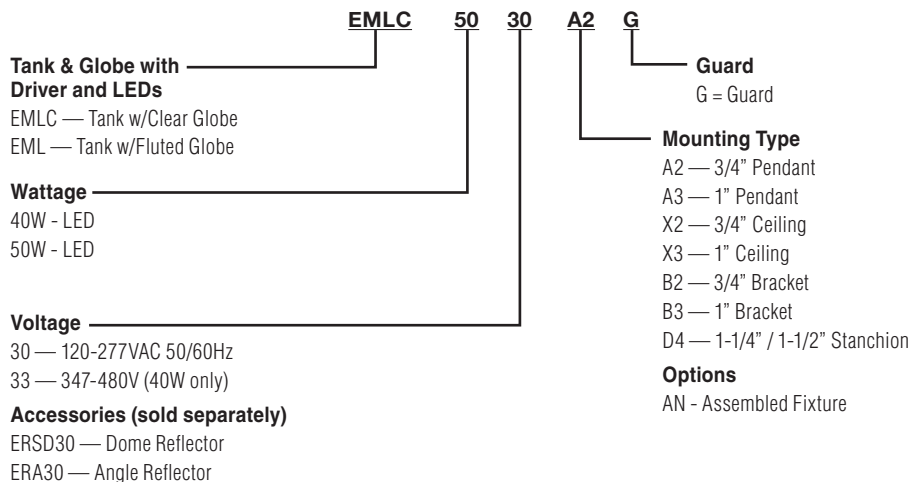
#### LED Luminaire Features and Standards

- Compact Explosion-proof with Traditional Industrial Appearance and Suitability
- Fluted or Exclusive Clear Globe; Dome or Angle Reflectors
- Optional Mounting arrangements including Pendant, Wall, Ceiling, and Stanchion
- EML LED Housings can be retrofitted to existing EZ splice boxes; upgrade from Incandescent, Fluorescent or HID
- Energy Savings – Less than 55 Watts of Power
- LED Array Life – 100,000+ hours with 70% initial lumens
- Long Fixture Life – 50,000 - 55,000 maintenance free hours

- Crisp White Light for Excellent Color Rendering – Chromaticity 5000K (CCT range; approx. 70 CRI)
- Ambient suitability -40°C to 55°C
- Instant on – Including after power interruption
- “World Voltage” 120-277VAC 50/60Hz
- Solder-LESS LED Board Connections – Vibration Resistant
- Factory Sealed Construction – No external seal required, simply wire mouting cap and thread-in fixture to install

Suitable for Paint Spray Booth Applications

#### Catalog Number Logic





## EXPLOSION-PROOF – ORDERING INFORMATION



Pendant



Ceiling



Wall



Stanchion

### ORDERING INFORMATION

EML SERIES PENDANT WITH OPTIC AND GUARD				
WATTS	HUB SIZE	VOLTAGE	FLUTED GLOBE & GUARD	CLEAR GLOBE & GUARD
40	3/4"	120-277VAC	EML4030A2G	EMLC4030A2G
50	3/4"	120-277VAC	EML5030A2G	EMLC5030A2G

EML SERIES CEILING WITH OPTIC AND GUARD				
WATTS	HUB SIZE	VOLTAGE	FLUTED GLOBE & GUARD	CLEAR GLOBE & GUARD
40	3/4"	120-277VAC	EML4030X2G	EMLC4030X2G
50	3/4"	120-277VAC	EML5030X2G	EMLC5030X2G

EML SERIES WALL WITH OPTIC AND GUARD				
WATTS	HUB SIZE	VOLTAGE	FLUTED GLOBE & GUARD	CLEAR GLOBE & GUARD
40	3/4"	120-277VAC	EML4030B2G	EMLC4030B2G
50	3/4"	120-277VAC	EML5030B2G	EMLC5030B2G

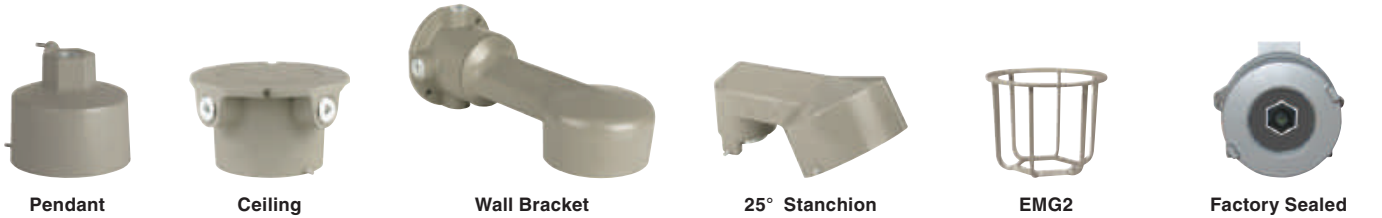
EML SERIES 25° STANCHION WITH OPTIC AND GUARD				
WATTS	HUB SIZE	VOLTAGE	FLUTED GLOBE & GUARD	CLEAR GLOBE & GUARD
40	1-1/4"/1-1/2"	120-277VAC	EML4030D4G	EMLC4030D4G
50	1-1/4"/1-1/2"	120-277VAC	EML5030D4G	EMLC5030D4G



**EML SERIES**

# KILLARK

EXPLOSION-PROOF – COMPONENTS & RATINGS



Pendant

Ceiling

Wall Bracket

25° Stanchion

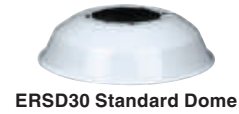
EMG2

Factory Sealed Photocell VMHKPC1

EZ MOUNTING BRACKETS				
CATALOG NUMBER				HUB SIZE
PENDANT	CEILING	WALL	STANCHION	
EZA2	EZX2	EZB2	—	3/4"
EZA3	EZX3	EZB3	—	1"
—	—	—	EZD4*	1-1/4" / 1-1/2"*

\* 1-1/2" furnished with 1-1/2" - 1-1/4" reducer

EML - EMLC LED ACCESSORIES	
DESCRIPTION	CATALOG NUMBER
Guard	EMG2
Dome Reflector	ERSD30
Angle Reflector	ERA30
CIDI C2D1 N4X Photocell 120VAC	VMHKPC1
CIDI C2D1 N4X Photocell 208-277VAC	VMHKPC2
Replacement Fluted Globe & Support	EMGS3
Replacement Clear Globe & Support	EMGS2
Adapter to old Killark "H" Series or Crouse Hinds®	EAC/EACH



ERSD30 Standard Dome



EMGS3  
EMGS2



ERA30 Angle Dome



EML4530  
EMLC4530



EAC/EACH

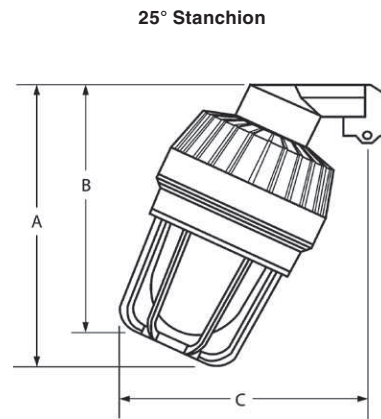
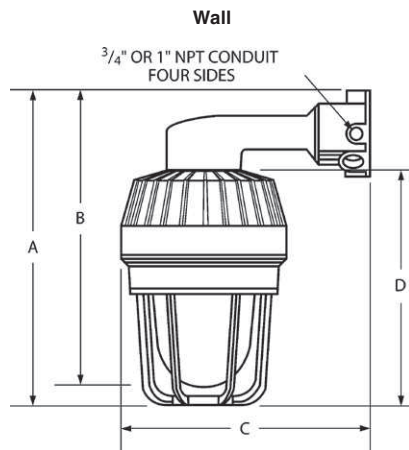
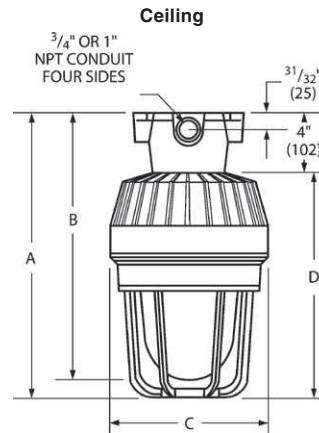
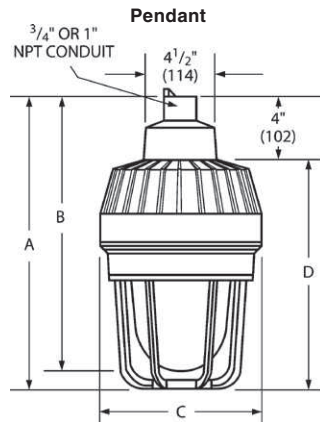
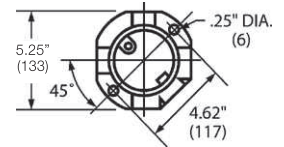
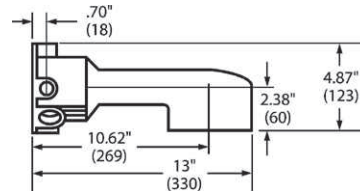
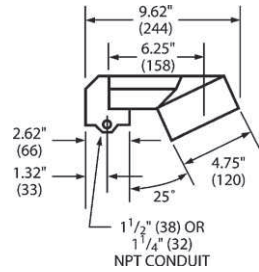
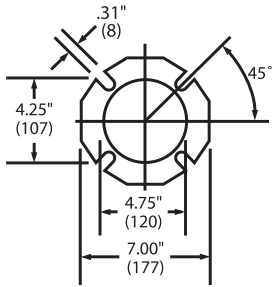
ORDERING INFORMATION AND AMBIENT SUITABILITY							C1D1/C1Z1		C2D1		L70	
CATALOG NO.	WEIGHT LBS./KG	WATTS	VOLTAGE	AMPS	EML FLUTTED LUMENS	EMLC CLEAR LUMENS	40°C	55°C	40°C	55°C	TM-21	CALCULATED
EML4030	26.00 / 11.79	40	120-277VAC	0.46-0.16	3479	3750	T6	T6	T4A (EFG)	T4 (EFG)	60100	270000
EML4033			347-480VAC	0.14-0.10								
EML5030		50	120-277VAC	0.43-0.18	5740	5741	T6	T6	T4A (EFG)	T4 (EFG)	72600	278000

TYPICAL WEIGHTS (LBS.) W/STANDARD GLOBE AND GUARD - EML (C) SERIES			
Pendant 29.33	Ceiling 31.79	Wall 33.25	Stanchion 30.94



# LIGHTING

## EXPLOSION-PROOF – DIMENSIONS & WEIGHTS



EML(C) DIMENSIONS				
TYPE	A	B	C	D
PENDANT	15-15/16" (404)	15-1/16" (382)	8-13/16" (224)	11-15/16" (303)
CEILING	15-15/16" (404)	15-1/16" (382)	8-13/16" (224)	11-15/16" (303)
WALL	16-13/16" (426)	15-15/16" (404)	15" (379)	11-15/16" (303)
STANCHION	15-1/8" (384)	14" (356)	13-1/2" (343)	



## EXPLOSION-PROOF – INTRODUCTION & LOGIC



Class I, Div. 1 & 2, Groups C,D  
 Class I, Zones 1 & 2, Groups IIB, IIA  
 Class II, Div. 1 & 2, Groups E,F,G  
 Class III, Div. 1 & 2  
 Suitable for wet locations  
 Suitable for Paint Spray Booth  
 Marine Rated (US only)  
 Type 3, 4, 4X  
 Factory Sealed

Certified - File LR11713

### HOSTILE<sup>LITE</sup> LED

#### FEATURES-SPECIFICATIONS

##### Applications

HOSTILELITE® EZL Series high wattage LED fixtures are designed for installations where moisture, dirt, dust, corrosion and vibration may be present, or Type 3 and 4X areas where wind, water, snow or where high ambient temperatures can be expected. They can be used in locations made hazardous due to the presence of flammable or explosive gases, vapors and combustible dusts as defined by the NEC.

Typical applications include classified areas such as paint manufacturing plants, paint spray, oil and gas producing and refining plants, off-shore and dockside installations, tank farms, pipeline pumping stations and marine loading and fuel transfer terminals.

##### Compliances

- UL-8750 for LED lighting
- UL-844 Electric Lighting Fixtures for use in Hazardous Locations
- UL Marine Type Electric Lighting Fixtures
- CSA C22.2 no. 137-M1981 Electric Luminaires for use in Hazardous Locations
- Type 3, 4, 4X, 7CD, 9EFG

##### Materials

- Housing, splice box, and guards corrosion resistant copper-free aluminum alloy
- Baked powder epoxy/polyester finish, electrostatically applied for complete, uniform corrosion protection
- All external hardware – Stainless Steel
- Reflectors are aluminum with white finish

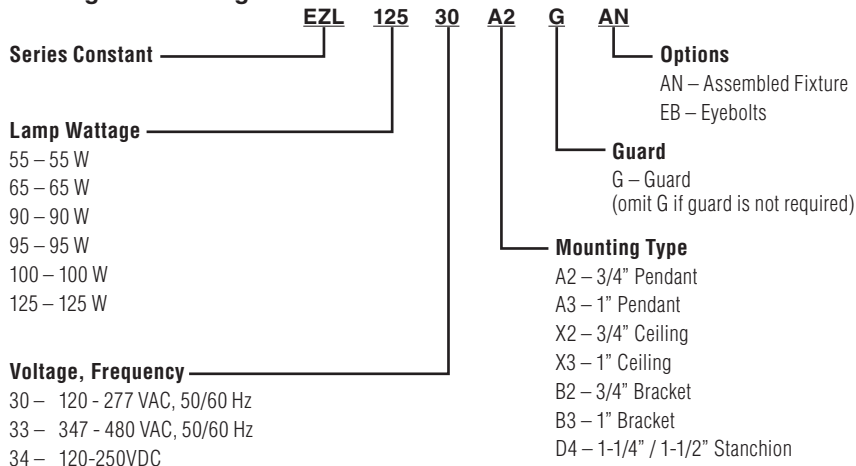
#### LED Luminaire Features and Standards

Supplemental **20KA/10KV Surge Protection** is **standard** (for 120-277 VAC models)  
**10KA/10KV Surge Protection** (for 347-480 VAC)

- Explosion-proof with Traditional Industrial Appearance and Suitability
- Mounting choice – Pendant, ceiling, 25° stanchion or 90° wall mount, all with “wireless” design that allows fast, easy fixture installation or removal for maintenance.
- Accessories – Available with or without guard, standard dome or angle reflector
- EZL LED Housings can be retrofitted to existing EZ splice boxes; upgrade from Incandescent, Fluorescent or HID
- Energy Savings – Less than 130 Watts of Power

- LED Array Life – 100,000+ hours with 70% initial lumens
- Long Fixture Life – 50,000 - 55,000 maintenance free hours
- Crisp White Light for Excellent Color Rendering – Chromaticity 5000K (CCT range; approx. 70 CRI)
- Ambient suitability -40°C to 55°C
- Instant on – Including after power interruption
- “World Voltage” 120-277VAC 50/60Hz
- Solder-LESS LED Board Connections – Vibration Resistant
- Factory Sealed Construction – No external seal required, simply wire mouting cap and thread-in fixture to install

#### Catalog Number Logic



# LIGHTING

EZL SERIES



## EXPLOSION PROOF – ORDERING INFORMATION, COMPONENTS & RATINGS



EZL SERIES PENDANT WITH OPTIC AND GUARD			
WATTS	HUB SIZE	VOLTAGE	GLOBE & GUARD
55	3/4"	120-277VAC	EZL5530A2G
65	3/4"	120-277VAC	EZL6530A2G
90	3/4"	120-277VAC	EZL9030A2G
95	3/4"	120-277VAC	EZL9530A2G
100	3/4"	120-277VAC	EZL10030A2G
125	3/4"	120-277VAC	EZL12530A2G



EZL SERIES CEILING WITH OPTIC AND GUARD			
WATTS	HUB SIZE	VOLTAGE	GLOBE & GUARD
55	3/4"	120-277VAC	EZL5530X2G
65	3/4"	120-277VAC	EZL6530X2G
90	3/4"	120-277VAC	EZL9030X2G
95	3/4"	120-277VAC	EZL9530X2G
100	3/4"	120-277VAC	EZL10030X2G
125	3/4"	120-277VAC	EZL12530X2G

EZL SERIES WALL BRACKET WITH OPTIC AND GUARD			
WATTS	HUB SIZE	VOLTAGE	GLOBE & GUARD
55	3/4"	120-277VAC	EZL5530B2G
65	3/4"	120-277VAC	EZL6530B2G
90	3/4"	120-277VAC	EZL9030B2G
95	3/4"	120-277VAC	EZL9530B2G
100	3/4"	120-277VAC	EZL10030B2G
125	3/4"	120-277VAC	EZL12530B2G



EZL SERIES STANCHION WITH OPTIC AND GUARD			
WATTS	HUB SIZE	VOLTAGE	GLOBE & GUARD
55	3/4"	120-277VAC	EZL5530D4G
65	3/4"	120-277VAC	EZL6530D4G
90	3/4"	120-277VAC	EZL9030D4G
95	3/4"	120-277VAC	EZL9530D4G
100	3/4"	120-277VAC	EZL10030D4G
125	3/4"	120-277VAC	EZL12530D4G



MOUNTING BOXES				
HUB SIZE	CATALOG NUMBER			
	PENDANT	CEILING	BRACKET	STANCHION
3/4"	EZA2	EZX2	EZB2	—
1"	EZA3	EZX3	EZB3	—
1-1/4"/1-1/2"	—	—	—	EZD4



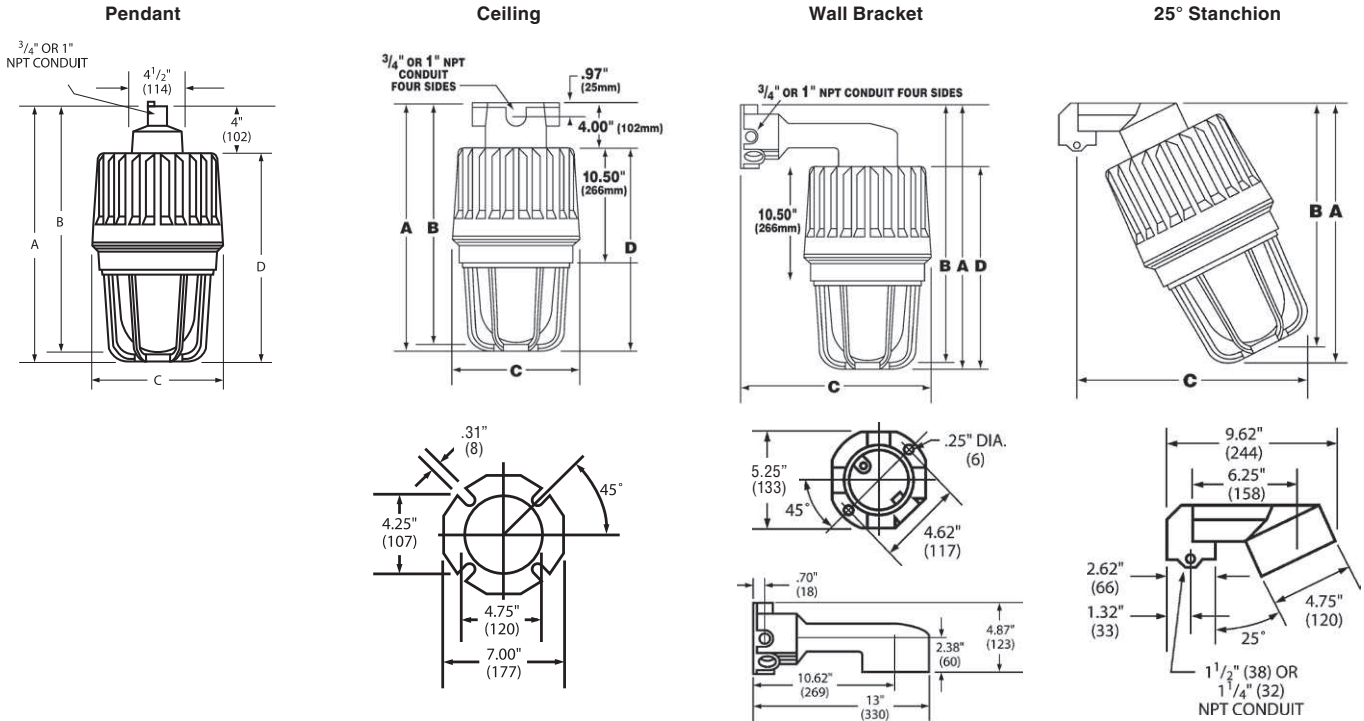
REFLECTORS	
CATALOG NUMBER	DESCRIPTION
VMPD40	Standard dome. fiberglass reinforced polyester
VMPA40	30° Angle fiberglass reinforced polyester
HRD400	Deep dome. Aluminum with white finish
HRD400ALZ	Deep dome with specular anodized finish



ORDERING INFORMATION AND AMBIENT SUITABILITY						C1D1/C1Z1		C2D1		L70	
CATALOG NO.	WEIGHT LBS./KG	WATTS	VOLTAGE	AMPS	DELIVERED LUMENS	40°C	55°C	40°C	55°C	TM-21	CALCULATED
EZL6530	36 / 16.33	65	120-277VAC	0.54/0.23	6515	T6	T6	EFG	EFG	60100	270000
EZL9030		90	120-277VAC	0.75/0.32	7818	T6	T6	EFG	EFG	60100	270000
EZL9530		95	120-277VAC	0.79/0.34	9121	T6	T6	EFG	EFG	60100	270000
EZL10030		100	120-277VAC	0.83/0.36	10903	T6	XXX	EFG	XXX	72600	278000
EZL12530		125	120-277VAC	1.04/0.45	12720	T6	XXX	EFG	XXX	72600	278000

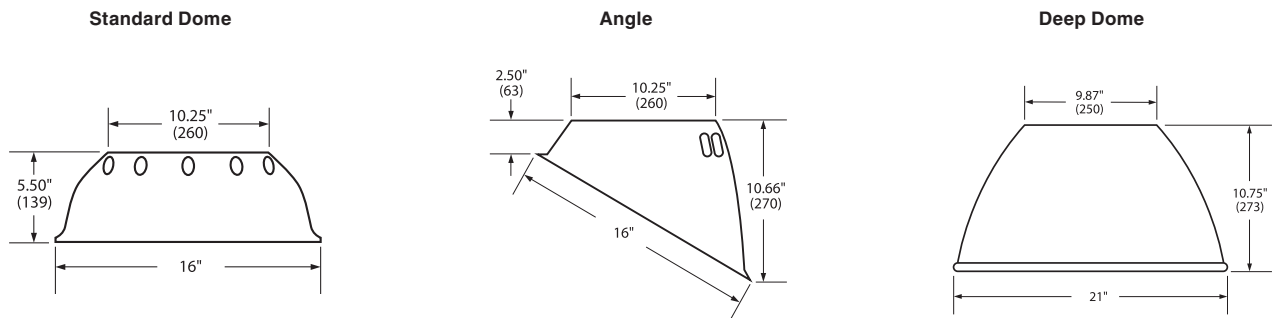


## DIMENSIONS



MOUNTING DIMENSIONS														
PENDANT				CEILING				BRACKET				STANCHION		
A	B	C	D	A	B	C	D	A	B	C	D	A	B	C
22" (558)	21-1/4" (539)	11-1/4" (285)	18" (457)	22" (558)	21-1/4" (539)	11-1/4" (285)	18" (457)	22-7/8" (580)	22-1/8" (561)	16-3/4" (425)	18" (457)	24-7/8" (631)	24" (609)	19-13/16" (503)

### Reflector Dimensions





# LIGHTING

EAC/EACH SERIES



## FIXTURE ADAPTERS



EAC/EACH



EZBA12

Class I, Div. 1 & 2, Group D  
 Class I, Zones 1 & 2, Groups IIA  
 Class II, Div. 1 & 2, Groups E,F,G  
 Class III



### FEATURES-SPECIFICATIONS

# HOSTILELITE®

#### Applications

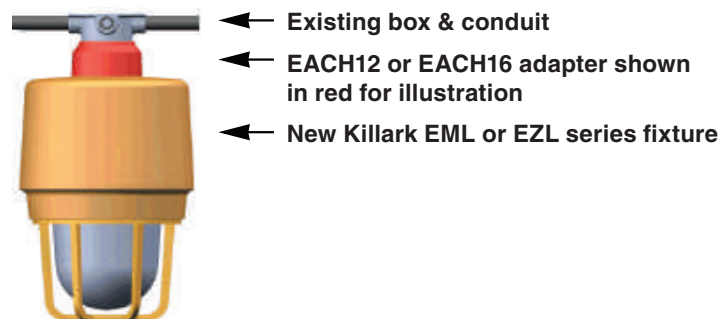
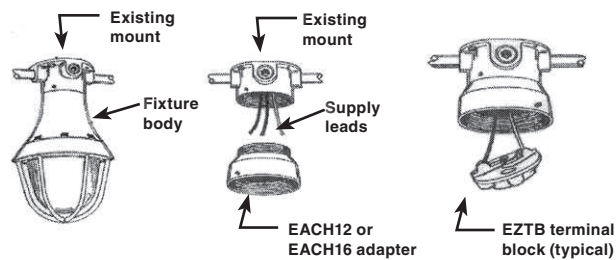
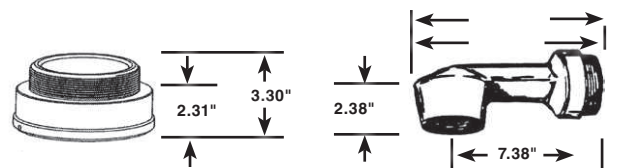
EAC Series adapters are designed to ease upgrading of existing Crouse-Hinds® “EV” series or existing Killark “H” series to Killark HOSTILELITE® EML or EZL series. Units are primarily designed to aid replacement of old ceiling or wall mount units where removal of the existing mounting box and conduit would be difficult or time consuming. Adapter & Killark fixtures rated Type 4.

Adapters are used with Fixture Housing, Globe, Globe Support assemblies. Complete fixture with mounting box is not required. Adapters are painted to match Killark beige fixture finish.

#### Features

- Setscrews permit secure adapter attachment into old mounting box and to new fixture
- Converted fixtures may be easily removed for service using the Killark EZ mounting system. Wire terminals are included in the adapter (EZTB Terminal Block)

EAC / EZBA FIXTURE ADAPTERS		
CATALOG NUMBER	DESCRIPTION	EXAMPLE OF MODEL UTILIZED OR REPLACED
EAC	Killark H series Ceiling or Wall	HXG-2-125 Fixture
EACH12	Crouse old style Ceiling Mount with lamp socket in adapter ring between fixture body and a GUF 12 pitch box	GUF box w/Set Screw
EZBA12	Crouse old style Wall Mount, old style Arm with integral lamp socket (socket in fixture in newer models) attached to GUF 12 pitch mounting box. EZBA12 includes arm	GUF box w/Set Screw
EACH16	Crouse newer style ceiling or wall fixtures w/lamp socket in fixture body; mounted to EV series 16 pitch threaded box; adapter fits in ceiling box or existing arm attached to wall fixture	EVA26/EV22 Box; EVBX240
EAAP-C2	Appleton Code-Master 2	CLC5075





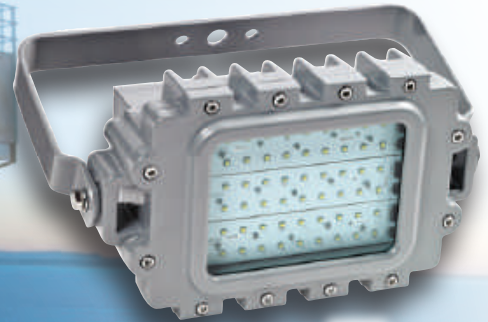
## FLOODLIGHTING & WALLPACK



KFL



KFLC



KF1L



KFL2H



KFLH



KWPL

# LIGHTING

KFLC SERIES



## COMPACT FLOOD – INTRODUCTION & LOGIC



Class I, Div. 2, Groups A,B,C,D  
 Class I, Zone 2, Groups IIC, IIB, IIA  
 Class II, Div. 1 & 2, Groups E,F,G  
 Class III  
 Type 4X

 File LR11713

### PETROBRIGHT® LED

#### FEATURES-SPECIFICATIONS

##### Applications

LED Compact Floods are designed for installations where moisture, dirt, dust, corrosion and vibration may be present, or Type 3 and 4X areas where wind, water, snow or high ambients can be expected. They can be used in locations made hazardous by the presence of flammable vapors or gases or combustible dusts as defined by the NEC.

Typical applications include spot lighting or walkways in manufacturing plants, and certain chemical and petrochemical processing facilities, sewage treatment plants, off-shore and dockside installations, garages and storage facilities

##### Compliances

- UL-8750 for LED lighting
- ANSI/UL 1598 (A)
- UL-844 Standard for lighting fixtures for hazardous locations, Class I, Division 1; Class II, Division 1; Class III
- CSA C22.2 no. 137-M1981 electric luminaires for use in hazardous locations
- Enclosed and gasketed
- Type 3, 4X, IP66

##### Materials

- Body and lens frame corrosion resistant copper-free aluminum alloy with baked powder epoxy/polyester finish, electrostatically applied for complete, uniform corrosion protection
- All external hardware – stainless steel
- Thermal shock and impact resistant extra heavy-duty glass lens
- High temperature silicone gasketing
- Trunnion heavy gauge galvanized steel with painted finish

#### LED Flood Features and Standards

Supplemental **20KA/10KV Surge Protection** is **standard** (for 120-277 VAC models)  
**10KA/10KV Surge Protection** (for 347-480 VAC)

- One 3/4" NPT hub & R-21 3/4" x 1/2" reducer is standard
- Crisp White Light for Excellent Color Rendering – Chromaticity 5000 K (CCT); approx. 70 CRI
- Energy Savings – High lumens per watt
- LED Array Life – 100,000+ hours with 70% initial lumens
- Long Fixture Life – 50,000 - 55,000 maintenance free hours
- Ambient suitability -40°C to 55°C
- Instant On – Including after power interruption
- Solder-LESS LED Board Connections – Vibration Resistant

Patented Fixture Design

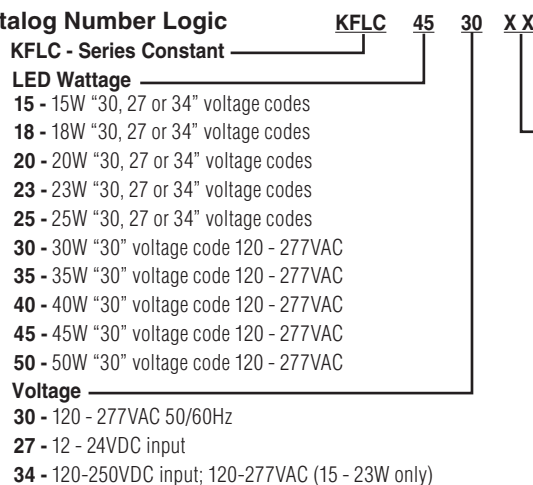


KFLC with KFS-6 Slipfitter mount on 2" pipe



Dark Sky Visor KFLC-DARK

#### Catalog Number Logic



#### Options

- LY- Less Yoke for Wall Mount
- F- Single Fuse (Not for use in Canada)
- FF- 2 Fuses (Not for use in Canada)
- SP- Surge Protection
- TBL- Terminal Blocks Looping
- D75- Dual 3/4" threaded NPT entry
- M25- Single M25 Slip-hole Entry
- D25- Two M25 Slip-hole Entry
- M20- Single M20 Slip-hole Entry
- D20- Dual M20 Slip-hole Entry
- PL- Polycarbonate Lens**



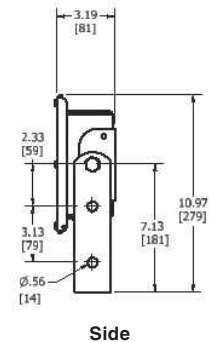
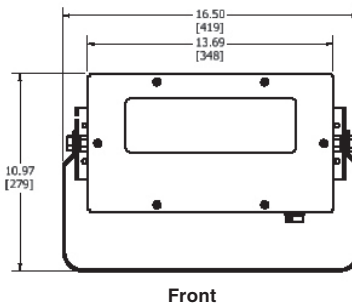
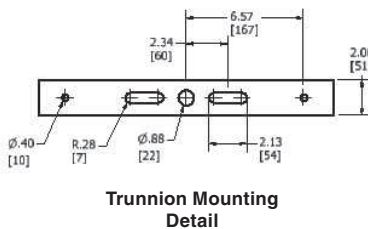
## COMPACT FLOOD – ORDERING & TECHNICAL DATA

ORDERING INFORMATION AND AMBIENT SUITABILITY						C1D2		C1D2		C2D1		L70	
CATALOG NO.	WEIGHT LBS./KG	WATTS	VOLTAGE	AMPS	DELIVERED LUMENS	40°C	55°C	40°C	55°C	40°C	55°C	TM-21	CALCULATED
KFLC1527	9.50 / 4.31	15	12-24VDC	1.3-0.6	1435	T6	T6	T4	T3B	T4A	T4A	60100	270000
KFLC1530			120-277VAC	0.2-0.1									
KFLC1534			120-250VDC	0.2-0.1									
KFLC1827		18	12-24VDC	1.5-0.8	1830	T6	T6	T4	T3B	T4A	T4A	72600	278000
KFLC1830			120-277VAC	0.2-0.1									
KFLC1834			120-250VDC	0.2-0.1									
KFLC2027		20	12-24VDC	1.7-0.8	2170	T6	T6	T4	T3B	T4A	T4A	60100	270000
KFLC2030			120-277VAC	0.2-0.1									
KFLC2034			120-250VDC	0.2-0.1									
KFLC2327		23	12-24VDC	1.9-1.0	2550	T6	T6	T4	T3B	T4A	T4A	60100	270000
KFLC2330			120-277VAC	0.2-0.1									
KFLC2334			120-250VDC	0.2-0.1									
KFLC2527		25	12-24VDC	2.1-1.0	2667	T6	T6	T4	T3B	T4A	T4A	72600	278000
KFLC2530			120-277VAC	0.2-0.1									
KFLC2534			120-250VDC	0.2-0.1									
KFLC3030		30	120-277VAC	0.26-0.11	2662	T6	T6	T4	T3B	T4A	T4A	60100	270000
KFLC3530		35		0.30-0.13	3302	T6	T6	T4	T3B	T4A	T4A	60100	270000
KFLC4030		40		0.34-0.15	4039	T6	T6	T4	T3B	T4A	T4A	72600	278000
KFLC4530		45		0.38-0.17	4718	T6	T6	T4	T3B	T4A	T4A	72600	278000
KFLC5030		50		0.42-0.18	5353	T6	T6	T4	T3B	T4A	T4A	60300	190000

KFL MOUNTS AND ACCESSORIES	
CATALOG NUMBER	DESCRIPTION
KFLC-DARK	Reflector for field addition - No uplight at 45° to 70°
KFLCG	Guard
KFLC-DOOR	Replacement Door Assembly
NWP-HUBA	3/4" Aluminum Hub; Replacement or Additional (Max. 4)
VMSC10	Safety Cable (through yoke)
KFS-6	Steel Slipfitter for 2" Pipe (2-3/8" o.d.) Tenon. Slips 3.75" Over Pipe.
KFCB	Heavy Duty Cast-Iron Crossarm Fitting for Horizontal Trunnion
KFWB	Heavy Duty Wall Mount and/or Pipe Clamp Fitting Clamps 2" Pipe (2-3/8" o.d.) Through 2-1/2" Pipe (2-7/8" o.d.)
K4040	Heavy Duty Steel Wall Bracket. (Must be with KFCB Crossarm Fitting)
4041	Heavy Duty Steel Wall Bracket 2" Pipe (2-3/8" o.d.) Tenon Fitting



### Dimensions





# LIGHTING

## C1D2 FLOOD – INTRODUCTION & LOGIC



### PETROBRIGHT® LED

#### FEATURES-SPECIFICATIONS

##### Applications

LED Floods are designed for installations where moisture, dirt, dust, corrosion and vibration may be present, or Type 3 and 4X areas where wind, water, snow, or high ambients can be expected. They can be used in locations made hazardous by the presence of flammable vapors or gases or combustible dusts as defined by the NEC/CEC/IECEX/ATEX & INMETRO.

Typical applications include manufacturing plants, and certain chemical and petrochemical processing facilities, sewage treatment plants, off-shore and dockside installations, garages and storage facilities.

##### Compliances

- UL-8750 for LED lighting
- ANSI/UL 1598(A)
- UL-844 Standard for lighting fixtures for hazardous locations, Class I, Division 2; Class II, Divisions 1 and 2; Class III
- CSA C22.2 no. 137-M1981 electric luminaires for use in hazardous locations
- Enclosed and gasketed
- Type 3, 4X
- IP66
- IEX suffix Zone 2/21 to IEC 60079-0, 60079-15, 60079-31 Standards

##### Materials

- Body, end caps and lens frame corrosion resistant copper-free aluminum alloy with baked powder epoxy/polyester finish, electrostatically applied for complete, uniform corrosion protection
- All external hardware - stainless steel
- Thermal shock and impact resistant glass lens
- High temperature silicone gasketing
- Trunion heavy gauge galvanized steel with painted finish



#### LED Flood Features and Standards

Supplemental **20KA/10KV Surge Protection** is **standard** (for 120-277 VAC models)  
**10KA/10KV Surge Protection** (for 347-480 VAC)

- Crisp White Light for Excellent Color Rendering - Chromaticity 5000K (CCT); approx. 70 CRI
- Energy Savings – High lumens per watt
- LED Array Life – 100,000+ hours with 70% initial lumens
- Long Fixture Life – 50,000 - 55,000 maintenance free hours
- Ambient suitability -50°C to 55°C up to 125W
- Instant On – Including after power interruption
- World Voltage 120 – 277VAC 50/60Hz
- Solder-LESS LED Board Connections – Vibration Resistant

Class I, Div. 2, Groups A,B,C,D  
 Class II, Div. 1&2, Groups EFG  
 Class III  
 Suitable for wet locations  
 Marine Rated (US Only)  
 Type 3, 4X  
 IP66

CS US File LR11713

IEC Ex Rated model (w/IEX suffix)  
 Zone 2 and Zone 21 areas  
 Ex nA IIC T6...T3, Gc  
 Ex tb IIC T160°C Db  
 Tamb -50°C <Ta<+55°C, IP66

IECEX Certificate  
 CSA 14.0002X

ATEX Certificate  
 CML 14ATEX3087/4088

#### PATENTED LUMINAIRE DESIGN



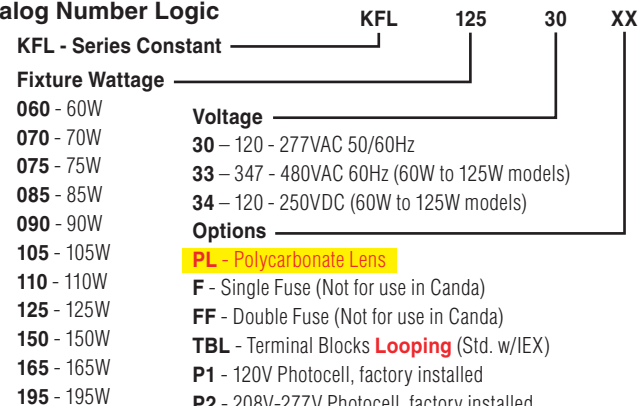
KFL with KFS-6 Slipfitter mount on 2" pipe



Dark Sky Visor KFL-DARK

IEX Units include Qty. 3 6mm terminals plus external ground as standard

#### Catalog Number Logic



Consult website for current list of approved luminaires

IEX - IECEX & ATEX includes TBL and External Ground (to 125W)



## C1D2 FLOOD – ORDERING INFORMATION & TECHNICAL DATA

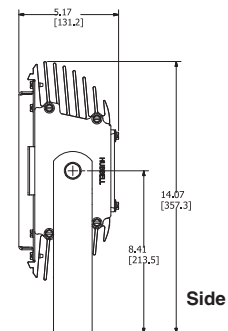
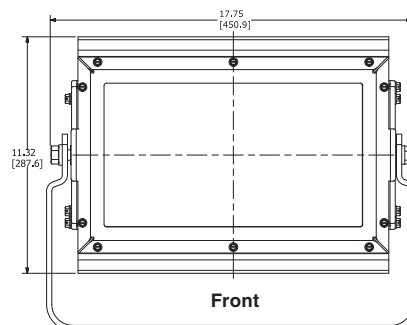
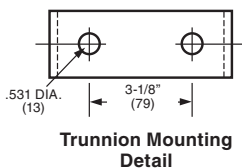
ORDERING INFORMATION AND AMBIENT SUITABILITY					C1D2		C1D2 SIMULTANEOUS		C2D1		IEC ZONE 2		IEC ZONE 21		L70		
CATALOG NO.	WEIGHT LBS./KG	WATTS	VOLTAGE	AMPS	DELIVERED LUMENS	40°C	55°C	40°C	55°C	40°C	55°C	40°C	55°C	40°C	55°C	TM-21	CALCULATED
KFL06030	30.00 / 13.61	60	120-277VAC	0.50-0.20	6111	T6	T5	T3C	T3C	T3C (EFG)	T3C (EFG)	T6	T5	145	160	60100	270000
KFL07030		70	120-277VAC	0.60-0.30	9742	T6	T5	T3C	T3C	T3C (EFG)	T3C (EFG)	T6	T5	145	160	72600	278000
KFL07530		75	120-277VAC	0.60-0.30	7454	T6	T5	T3C	T3C	T3C (EFG)	T3C (EFG)	T6	T5	145	160	60100	270000
KFL08530		85	120-277VAC	0.70-0.30	10840	T6	T5	T3C	T3C	T3C (EFG)	T3C (EFG)	T6	T5	145	160	72600	278000
KFL08533			347-480VAC	0.24-0.17													
KFL08534		120-250VDC	0.70-0.27	9023	T6	T5	T3C	T3C	T3C (EFG)	T3C (EFG)	T6	T5	145	160	60100	270000	
KFL09030		120-277VAC	0.80-0.40														
KFL09033		90	347-480VAC	0.28-0.23	10370	T4A	T4A	T3C	T3C	T3C (EFG)	T3C (EFG)	T4	T4	145	160	60100	270000
KFL09034			120-250VDC	0.80-0.36													
KFL10530		105	120-277VAC	0.90-0.40	13780	T6	T5	T3C	T3C	T3C (EFG)	T3C (EFG)	T6	T5	145	160	72600	278000
KFL10533			347-480VAC	0.31-0.23													
KFL10534		120-250VDC	0.90-0.36	15340	T6	T5	T3C	T3C	T3C (EFG)	T3C (EFG)	T6	T5	145	160	72600	278000	
KFL11030		120-277VAC	1.00-0.50														
KFL11033		110	347-480VAC	0.31-0.23	18550	T5	-	T3C	-	T3C (EFG)	-	T5	T5	160	160	60300	190000
KFL11034			120-250VDC	0.90-0.36													
KFL12530		125	120-277VAC	1.25-0.54	19220	T5	-	T3C	-	T3C (EFG)	-	T5	T4	160	160	72600	278000
KFL12533			347-480VAC	0.35-0.29													
KFL12534		120-250VDC	1.00-0.45	21940	T5	-	T3C	-	T3C (EFG)	-	T5	T4	160	160	72600	278000	
KFL15030		120-277VAC	1.63-0.70														
KFL16530		165	120-277VAC	1.38-0.60													
KFL19530	195	120-277VAC	1.63-0.70														

### KFL MOUNTS AND ACCESSORIES

CATALOG NUMBER	DESCRIPTION
KFS-6	Steel Slipfitter for 2" Pipe (2-3/8" o.d.) Tenon. Slips 3.75" Over Pipe.
KFCB	Heavy Duty Cast-Iron Crossarm Fitting for Horizontal Trunnion
KFWB	Heavy Duty Wall Mount and/or Pipe Clamp Fitting Clamps 2" Pipe (2-3/8" o.d.) Through 2-1/2" Pipe (2-7/8" o.d.)
K4040	Heavy Duty Steel Wall Bracket. (Must be with KFCB Crossarm Fitting)
4041	Heavy Duty Steel Wall Bracket 2" Pipe (2-3/8" o.d.) Tenon Fitting. Uses with KFS-6
KFLG	Wire Guard, 316 Stainless Steel (not used with KFL-DARK)
VMSC10	10' Stainless Steel Safety Cable with loop grip
KFL-DARK	Dark Sky Visor, White Painted Aluminum (not used with KFLG)
KFL-DOOR	Replacement Door and Lens Assembly (for units w/o internal reflectors)
KFL-DOOR2	Replacement Internal Reflector and Lens Assembly



### Dimensions



# LIGHTING

KFLH SERIES



## C1D2 FLOOD – INTRODUCTION & LOGIC



### PETROBRIGHT® LED FEATURES-SPECIFICATIONS

#### Applications

LED Floods are designed for installations where moisture, dirt, dust, corrosion and vibration may be present, or Type 3 and 4X areas where wind, water, snow or high ambients can be expected. They can be used in locations made hazardous by the presence of flammable vapors or gases or combustible dusts as defined by the NEC/CEC/IECEX/ATEX & INMETRO.

Typical applications include manufacturing plants, and certain chemical and petrochemical processing facilities, sewage treatment plants, off-shore and dockside installations, garages and storage facilities.

#### Compliances

- UL-8750 for LED lighting
- ANSI/UL 1598(A)
- UL-844 Standard for lighting fixtures for hazardous locations, Class I, Division 2; Class II, Divisions 1 and 2; Class III
- CSA C22.2 no. 137-M1981 electric luminaires for use in hazardous locations
- Enclosed and gasketed
- Type 3, 4X
- IP66

#### Materials

- Body and lens frame corrosion resistant copper-free aluminum alloy with baked powder epoxy/polyester finish, electrostatically applied for complete, uniform corrosion protection
- All external hardware – stainless steel
- Thermal shock and impact resistant glass lens (Polycarbonate available)
- High temperature silicone gasketing
- Trunnion heavy gauge 316 stainless steel



#### LED Flood Features and Standards

Supplemental **20KA/10KV Surge Protection** is **standard** (for 120-277 VAC models)  
**10KA/10KV Surge Protection** (for 347-480 VAC)

- Crisp White Light for Excellent Color Rendering – Chromaticity 5000K (CCT); approx. 70 CRI
- Energy Savings – High lumens per watt
- LED Array Life – 100,000+ hours with 70% initial lumens
- Long Fixture Life – 50,000 - 55,000 maintenance free hours
- Ambient suitability -40°C to 55°C up to 250W to -50°C for non-hazardous applications
- Instant On – Including after power interruption
- World Voltage 120 – 277VAC 50/60Hz
- Solder-LESS LED Board Connections – Vibration Resistant

Class I, Div. 2, Groups A, B, C, D  
Class I, Zone 2, IIC, IIB, IIA  
Class II, Div. 1 & 2, Groups E, F, G  
Class III  
Suitable for wet locations  
Marine Rated (US only)  
Type 3, 4X  
IP66

IEC Ex Rated Model (w/ IEX suffix)  
Zone 2 and Zone 21 areas  
Ex nA IIC T6...T3, Gc  
Ex tb IIC T105°C Db  
Tamb -50°C < Ta < +55°C, IP66

IECEX Certificate  
QPS 15.0011



ATEX Certificate  
CML 15ATEX4079X (nA)  
&  
CML 15ATEX3080X (tb)

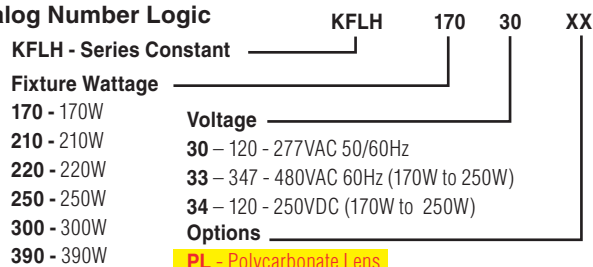
#### PATENTED LENS and REFLECTOR DESIGN



KFLH  
Luminaire

Dark Sky Visor  
KFLH-DARK

#### Catalog Number Logic

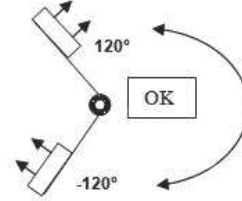


- F - Single Fuse (Not for use in Canada)
- FF - Double Fuse (Not for use in Canada)
- TBL - Terminal Blocks **Looping**
- P1 - 120V Photocell, factory installed
- P2 - 208V-277V Photocell, factory installed
- P3 - 347V Photocell, factory installed
- IEX - IEXEx includes TBL & External ground

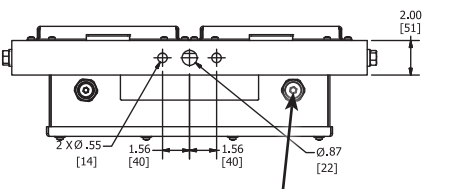
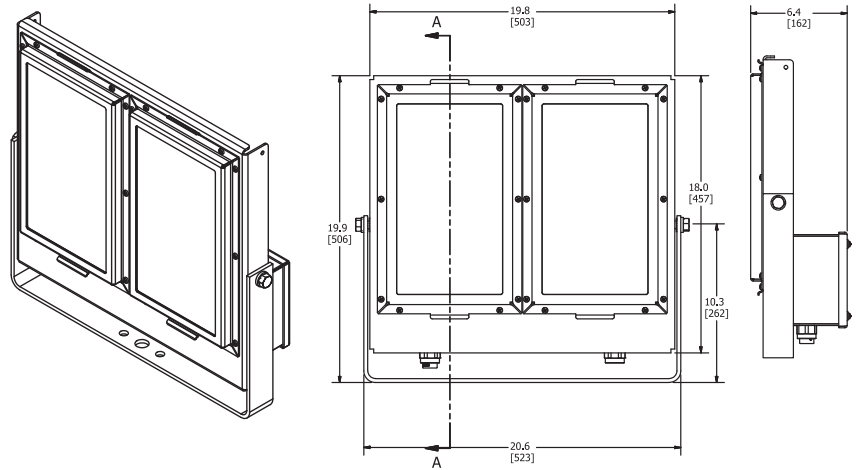


## C1D2 FLOOD – ORDERING INFORMATION & TECHNICAL DATA

ORDERING INFORMATION AND AMBIENT SUITABILITY						C1D2 (C1Z2)		C1D2 SIMULTANEOUS		C2D1		L70	
CATALOG NO.	WEIGHT LBS./KG	WATTS	VOLTAGE	AMPS	DELIVERED LUMENS	40°C	55°C	40°C	55°C	40°C	55°C	TM-21	CALCULATED
KFLH17030	25.00 / 11.3	170	120-277VAC	1.46-0.63	21620	T4A (T4)	T4	T4	T3C	T4	T3C	72600	278000
KFLH17033			347-480VAC	0.51-0.36			-		-		-		
KFLH17034			120-250VDC	1.46-0.56			T4		T3C		T3C		
KFLH21030		210	120-277VAC	1.75-0.75	21220	T4A (T4)	T4	T4	T3C	T4	T3C	60100	270000
KFLH21033			347-480VAC	0.61-0.43			-		-		-		
KFLH21034			120-250VDC	1.75-0.68			T4		T3C		T3C		
KFLH22030		220	120-277VAC	1.88-0.81	26970	T4A (T4)	T4	T4	T3C	T4	T3C	72600	278000
KFLH22033			347-480VAC	0.65-0.47			-		-		-		
KFLH22034			120-250VDC	1.88-0.73			T4		T3C		T3C		
KFLH25030		250	120-277VAC	2.17-0.94	30950	T4A (T4)	T4	T4	T3C	T4	T3C	72600	278000
KFLH25033			347-480VAC	0.75-0.54			-		-		-		
KFLH25034			120-250VDC	2.17-0.85			T4		T3C		T3C		
KFLH30030		300	120-277VAC	2.48-1.07	37030	T4A (T4)	T4	-	-	-	-	60300	107000
KFLH39030		390	120-277VAC	3.30-1.43	40410	T4A (T4)	T4	-	-	-	-	60300	190000



KFLH MOUNTS AND ACCESSORIES	
CATALOG NUMBER	DESCRIPTION
KFS-6	Steel Slipfitter for 2" Pipe (2-3/8" o.d.) Tenon. Slips 3.75" Over Pipe.
KFCB	Heavy Duty Cast-Iron Crossarm Fitting for Horizontal Trunnion
KFWB	Heavy Duty Wall Mount and/or Pipe Clamp Fitting Clamps 2" Pipe (2-3/8" o.d.) Through 2-1/2" Pipe (2-7/8" o.d.)
K4040	Heavy Duty Steel Wall Bracket. (Must be with KFCB Crossarm Fitting)
4041	Heavy Duty Steel Wall Bracket 2" Pipe (2-3/8" o.d.) Tenon Fitting. Use with KFS-6
KFLG	Wire Guard, 316 Stainless Steel (order 2 per fixture)
VMSC10	10' Stainless Steel Safety Cable with loop grip
KFLH-DARK	Dark Sky Visor, White Painted Aluminum
KFLH-DOOR	Replacement Internal Reflector and Lens Assembly (order 2 per fixture as required)



2-M20 slip holes supplied with 3/4" NPT adapters with one plugged.



# LIGHTING

## KFL2H SERIES



### C1D2 FLOOD – INTRODUCTION & LOGIC



Class I, Div. 2, Groups A, B, C, D  
 Class I, Zone 2, IIC, IIB, IIA  
 Class II, Div. 1 & 2, Groups E, F, G  
 Class III  
 Suitable for wet locations  
 Marine Rated (US only)  
 Type 3, 4X  
 IP66

IEC Ex Rated Model (w/ IEX suffix)  
 Zone 2 and Zone 21 areas  
 Ex nA IIC T6...T3, Gc  
 Ex tb IIC T105°C Db  
 Tamb -50°C ≤ Ta ≤ +55°C, IP66

IECEx Certificate  
 QPS 15.0011



ATEX Certificate  
 CML 15ATEX4079X (nA)  
 &  
 CML 15ATEX3080X (tb)

## PETROBRIGHT® LED

### FEATURES-SPECIFICATIONS

#### Applications

LED Floods are designed for installations where moisture, dirt, dust, corrosion and vibration may be present, or Type 3 and 4X areas where wind, water, snow or high ambients can be expected. They can be used in locations made hazardous by the presence of flammable vapors or gases or combustible dusts as defined by the NEC/CEC/IECEx/ATEX & INMETRO.

Typical applications include manufacturing plants, and certain chemical and petrochemical processing facilities, sewage treatment plants, off-shore and dockside installations, garages and storage facilities.

#### Compliances

- UL-8750 for LED lighting
- ANSI/UL 1598(A)
- UL-844 Standard for lighting fixtures for hazardous locations, Class I, Division 2; Class II, Divisions 1 and 2; Class III
- CSA G22.2 no. 137-M1981 electric luminaires for use in hazardous locations
- Enclosed and gasketed
- Type 3, 4X
- IP66

#### Materials

- Body and lens frame corrosion resistant copper-free aluminum alloy with baked powder epoxy/polyester finish, electrostatically applied for complete, uniform corrosion protection
- All external hardware – stainless steel
- Thermal shock and impact resistant glass lens (Polycarbonate available)
- High temperature silicone gasketing
- Trunnion heavy gauge 316 stainless steel

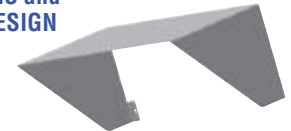
### LED Flood Features and Standards

Supplemental **20KA/10KV Surge Protection** is **standard** (for 120-277 VAC models)  
**10KA/10KV Surge Protection** (for 347-480 VAC)

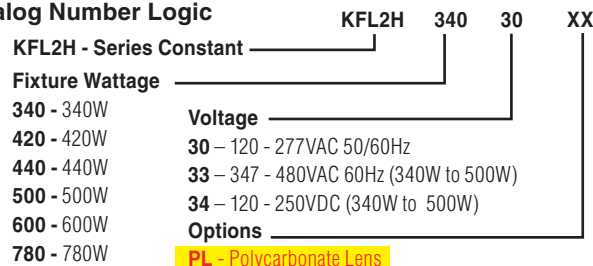
- Crisp White Light for Excellent Color Rendering – Chromaticity 5000K (CCT); approx. 70 CRI
- Energy Savings – High lumens per watt
- LED Array Life – 100,000+ hours with 70% initial lumens
- Long Fixture Life – 50,000 - 55,000 maintenance free hours
- Ambient suitability -40°C to 55°C up to 500W to -50°C for non-hazardous applications
- Instant On – Including after power interruption
- World Voltage 120 – 277VAC 50/60Hz
- Solder-LESS LED Board Connections – Vibration Resistant

### PATENTED LENS and REFLECTOR DESIGN

Dark Sky Visor  
 KFLH-DARK



### Catalog Number Logic

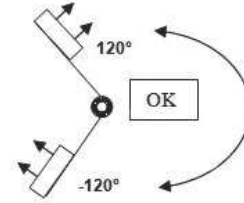


- F** - Single Fuse (Not for use in Canada)
- FF** - Double Fuse (Not for use in Canada)
- TBL** - Terminal Blocks **Looping**
- P1** - 120V Photocell, factory installed
- P2** - 208V-277V Photocell, factory installed
- P3** - 347V Photocell, factory installed
- IEX** - IEXEx includes TBL & External ground

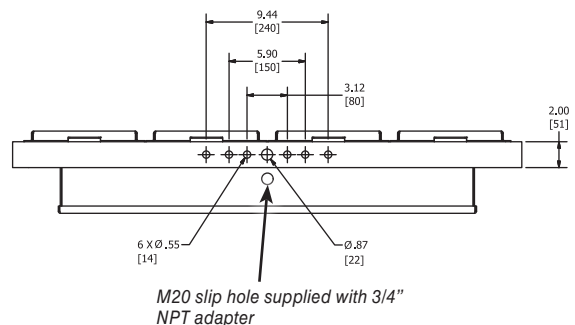
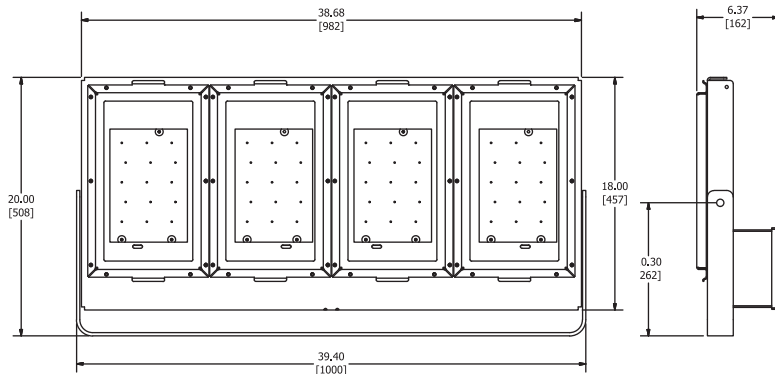


## C1D2 FLOOD – ORDERING INFORMATION & TECHNICAL DATA

ORDERING INFORMATION AND AMBIENT SUITABILITY						C1D2 (C1Z2)		C1D2 SIMULTANEOUS		C2D1		L70	
CATALOG NO.	WEIGHT LBS./KG	WATTS	VOLTAGE	AMPS	DELIVERED LUMENS	40°C	55°C	40°C	55°C	40°C	55°C	TM-21	CALCULATED
KFL2H34030	50.00 / 22.6	340	120-277VAC	2.92-1.26	43240	T4A (T4)	T4	T4	T3C	T4	T3C	72600	278000
KFL2H34033			347-480VAC	1.02-0.72			-		-		-		
KFL2H34034			120-250VDC	2.92-1.12			T4		T3C		T3C		
KFL2H42030		420	120-277VAC	3.50-1.50	42440	T4A (T4)	T4	T4	T3C	T4	T3C	60100	270000
KFL2H42033			347-480VAC	1.22-0.86			-		-		-		
KFL2H42034			120-250VDC	3.50-1.36			T4		T3C		T3C		
KFL2H44030		440	120-277VAC	3.76-1.62	53940	T4A (T4)	T4	T4	T3C	T4	T3C	72600	278000
KFL2H44033			347-480VAC	1.30-0.94			-		-		-		
KFL2H44034			120-250VDC	3.76-1.46			T4		T3C		T3C		
KFL2H50030		500	120-277VAC	4.34-1.88	69410	T4A (T4)	T4	T4	T3C	T4	T3C	72600	278000
KFL2H50033			347-480VAC	1.50-1.08			-		-		-		
KFL2H50034		120-250VDC	4.34-1.70	-	-	-							
KFL2H60030		600	120-277VAC	4.96-2.14	74060	T4A (T4)	T4	-	-	-	-	60300	107000
KFL2H78030		780	120-277VAC	6.60-2.86	80820	T4A (T4)	T4	-	-	-	-	60300	190000



KFL2H MOUNTS AND ACCESSORIES	
CATALOG NUMBER	DESCRIPTION
KFS-6	Steel Slipfitter for 2" Pipe (2-3/8" o.d.) Tenon. Slips 3.75" Over Pipe
KFCB	Heavy Duty Cast-Iron Crossarm Fitting for Horizontal Trunnion
KFWB	Heavy Duty Wall Mount and/or Pipe Clamp Fitting Clamps 2" Pipe (2-3/8" o.d.) Through 2-1/2" Pipe (2-7/8" o.d.)
K4040	Heavy Duty Steel Wall Bracket. (Must be with KFCB Crossarm Fitting)
4041	Heavy Duty Steel Wall Bracket 2" Pipe (2-3/8" o.d.) Tenon Fitting. Use with KFS-6
KFLG	Wire Guard, 316 Stainless Steel (order 4 per fixture)
VMSC10	10' Stainless Steel Safety Cable with loop grip
KFLH-DARK	Dark Sky Visor, White Painted Aluminum
KFLH-DOOR	Replacement Internal Reflector and Lens Assembly (order 4 per fixture as required)





# LIGHTING

## C1D1 FLOOD – INTRODUCTION & LOGIC



### PETROBRIGHT® LED

#### FEATURES-SPECIFICATIONS

##### Applications

LED KF1L Series Explosion-proof Floods are designed for installations where moisture, dirt, dust, corrosion and vibration may be present, or Type 3 and 4X areas where wind, water, snow or high ambients can be expected. They can be used in locations made hazardous by the presence of flammable vapors or gases or combustible dusts as defined by the NEC/CEC/IECEX/ATEX & INMETRO

Typical applications include manufacturing plants, and certain chemical and petrochemical processing facilities, sewage treatment plants, off-shore and dockside installations, garages and storage facilities

##### Compliances

- UL-8750 for LED lighting
- ANSI/UL 1598A
- UL-844 Standard for lighting fixtures for hazardous locations, Class I, Division 1; Class II, Division 1; Class III
- CSA C22.2 no. 137-M1981 electric luminaires for use in hazardous locations
- Zone 1 and Zone 21 to IEC 60079-0,60079-1,60079-31, 60079-7 Standards
- Enclosed and gasketed
- Type 3, 4X
- IP66

##### Materials

- Body, end caps and lens frame corrosion resistant copper-free aluminum alloy with baked powder epoxy/polyester finish, electrostatically applied for complete, uniform corrosion protection
- All external hardware - stainless steel
- Thermal shock and impact resistant extra heavy-duty glass lens
- High temperature silicone gasketing
- Trunnion heavy gauge 316 SS



#### LED Flood Features and Standards

Supplemental **20KA/10KV Surge Protection** is **standard** (for 120-277 VAC models)  
**10KA/10KV Surge Protection** (for 347-480 VAC)

- **Factory Sealed Construction**
- One 3/4" NPT & one M20 entry standard (see logic for other choices)
- Crisp White Light for Excellent Color Rendering – Chromaticity 5000 K (CCT); approx. 70 CRI
- Energy Savings – High lumens per watt
- LED Array Life – 100,000+ hours with 70% initial lumens
- Long Fixture Life – 50,000 - 55,000 maintenance free hours
- Instant On – Including after power interruption
- World Voltage 120 – 277VAC 50/60Hz
- Solder-LESS LED Board Connections – Vibration Resistant

**Class I, Div. 1&2, Groups B,C,D**  
**Class I, Zone 1&2, Groups IIB+H2, IIA**  
**Class II, Div. 1&2, Groups EFG, Class III**  
**Enclosure Type 4X, IP66 (-50°C to +55°C)**

File LR11713

IEC Ex Rated model (w/IEX or IEX4B suffix) Zone 1, Zone 21

Ex de IIB+H2 T6..T5, Gb, IP66

Tamb -20°C ≤Ta≤ +55°C; Option LT for -50°C ≤Ta≤ +55°CⓈ

Ex de IIB T6..T5, Gb, -50°C ≤Ta≤ +55°CⓈ

Ex tb IIIC T90°C Db, -50°C ≤Ta≤ +55°CⓈ

IECEX Certificate  
 CSA 14.0010

ATEX Certificate  
 SIRA14ATEX1159X

Patent Pending  
 Fixture  
 Design



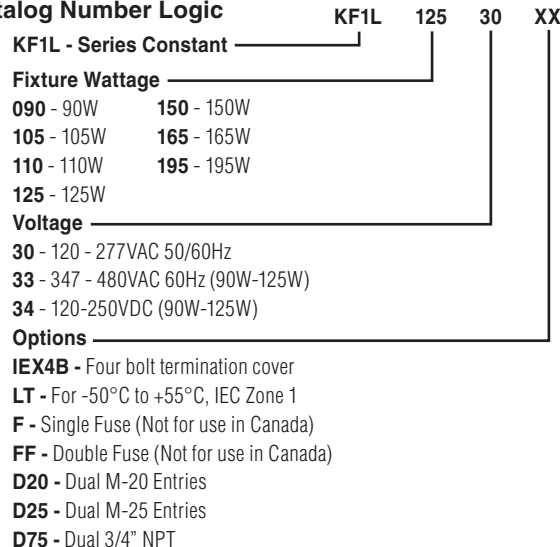
KF1L with KFS-6 Slipfitter mount on 2" pipe



Dark Sky Visor  
 KF1L-DARK

Suitable for Paint  
 Spray

#### Catalog Number Logic



**Construction/Certification Notes:**  
 KF1L units are standard with one 3/4" NPT hub & one M20 hub – both plugged, with an 8-bolt factory sealed termination chamber, suitable for CID1 BCD -50°C to +55°C and IEC Zone 1 Ex de suitable for -20°C to 55°C.

Use option LT for models needing IEC Zone 1, -50°C to +55°C suitability for hydrogen.

Option IEX4B utilizes 4 terminal cover bolts for Ex de and maintains all ratings **EXCEPT CID1 BCD.**

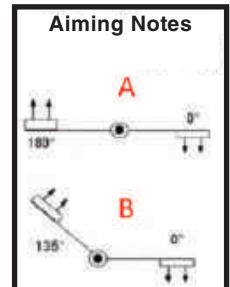
See logic for other entry options



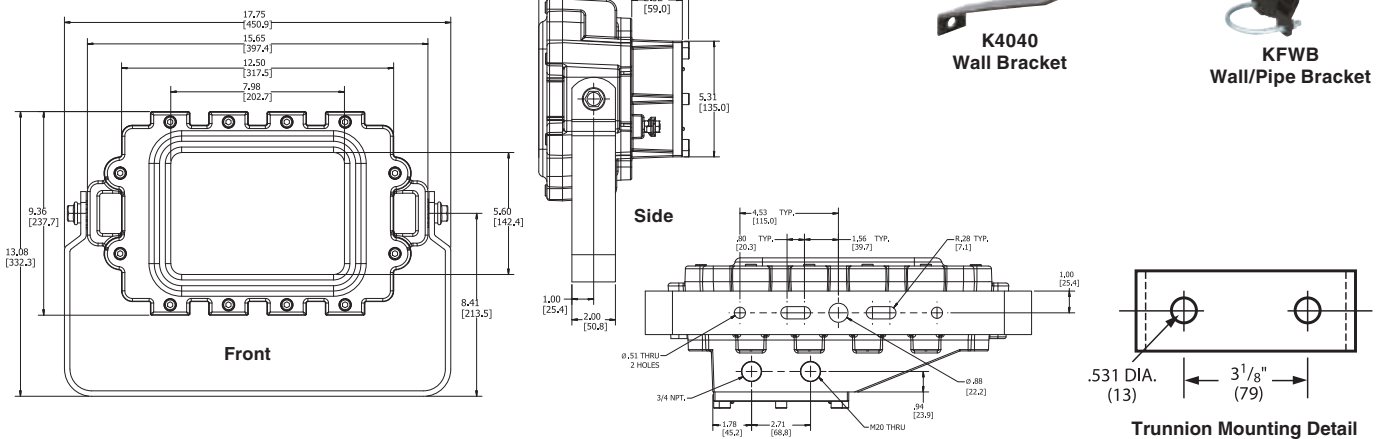
## C1D1 FLOOD – ORDERING & TECHNICAL DATA

ORDERING INFORMATION AND AMBIENT SUITABILITY						C1D1		C2D1		IEC ZONE 1		IEC ZONE 21		L70		
CATALOG NO.	WEIGHT LBS./KG	WATTS	VOLTAGE	AMPS	DELIVERED LUMENS	40°C	55°C	40°C	55°C	40°C	55°C	40°C	55°C	TM-21	CALCULATED	
KF1L09030	46.00 / 20.87	90	120-277VAC	0.72-0.31	7182	T6	T6	(EFG)	Limited Aiming B	T6	T5	160-75	175-90	60100	270000	
KF1L09033			347-480VAC	0.25-0.18												
KF1L09034			120-250VDC	0.72-0.28												
KF1L10530		120-277VAC	0.85-0.37	8362	T6	T6	(EFG)	Limited Aiming B	T6	T5	160-76	175-91	60100	270000		
KF1L10533		347-480VAC	0.29-0.21													
KF1L10534		120-250VDC	0.85-0.33													
KF1L11030		120-277VAC	0.95-0.41	10590	T6	T6	(EFG)	Limited Aiming B	T6	T5	160-77	175-92	72600	278000		
KF1L11033		347-480VAC	0.33-0.24													
KF1L11034		120-250VDC	0.95-0.37													
KF1L12530		120-277VAC	1.10-0.48	11590	T6	T6	(EFG)	Limited Aiming B	T6	T5	160-78	175-93	72600	278000		
KF1L12533		347-480VAC	0.38-0.28													
KF1L12534		120-250VDC	1.10-0.43													
KF1L15030		150	120-277VAC	1.25-0.54	13280	T5	-	-	-	-	T5	-	-	-	60300	190000
KF1L16530		165	120-277VAC	1.38-0.60	13760	T5	-	-	-	-	T5	-	-	-	72600	278000
KF1L19530		195	120-277VAC	1.63-0.70	15707	T5	-	-	-	-	T5	-	-	-	72600	278000

KFL MOUNTS AND ACCESSORIES	
CATALOG NUMBER	DESCRIPTION
KFS-6	Steel Slipfitter for 2" Pipe (2-3/8" o.d.) Tenon. Slips 3.75" Over Pipe
KFCB	Heavy Duty Cast-Iron Crossarm Fitting for Horizontal Trunnion
KFWB	Heavy Duty Wall Mount and/or Pipe Clamp Fitting Clamps 2" Pipe (2-3/8" o.d.) Through 2-1/2" Pipe (2-7/8" o.d.)
K4040	Heavy Duty Steel Wall Bracket. (Must be with KFCB Crossarm Fitting)
4041	Heavy Duty Steel Wall Bracket 2" Pipe (2-3/8" o.d.) Tenon Fitting
KFLG	Wire Guard, 316 Stainless Steel
VMSC10	10' Stainless Steel Safety Cable with loop grip
KF1L-DARK	Dark Sky Visor, White Painted Aluminum
KF1L-DOOR	Replacement Door and Lens Assembly



### Dimensions





# LIGHTING

## WALLPACK



Class I, Div. 2, Groups A,B,C,D  
Class I, Zone 2, Groups IIC, IIB, IIA  
Type 4X



### FEATURES-SPECIFICATIONS

## CERTILITE®

#### Applications

KWPL Wall Luminaires are ideally suited for applications requiring a pleasing aesthetic appearance or hazardous location suitability in a compact energy saving fixture. Units are of copper-free aluminum construction for cool operation with a bronze electrostatically applied powder-coat finish. Suitable for locations such as perimeter security lighting, parking areas, factories and parking garages.

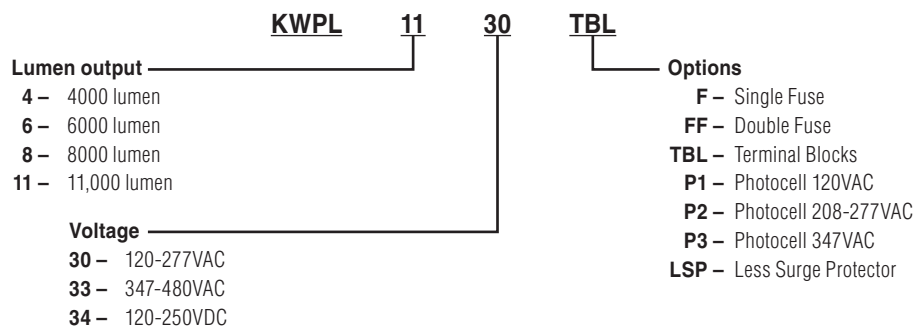
#### Features

- Aluminum with Bronze finish 1/2" hub on either side for conduit entry
- Suitability for 55°C ambient, 90°C supply wire required (see table)
- Lens thermal shock and impact resistant prismatic borosilicate glass
- Two Hubbell Guard® Corrosion resistant hex head fasteners provide water-tight seal for door gasket
- Options include: factory installed photo cells, fusing

#### Compliances

- UL 1598 Standard for Luminaires
- UL 844 Standard for lighting fixtures for hazardous locations
- CSA C22 no. 137-M1981 electric luminaires for use in hazardous locations
- Enclosed and gasketed
- Type 3, 4X
- LED Array Life – 100,000+ hours with 70% initial lumens
- Long Fixture Life – 50,000 - 55,000 maintenance free hours

### Catalog Logic





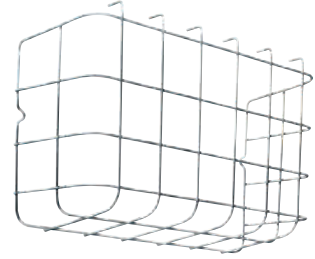
## WALLPACK



Glare Shield



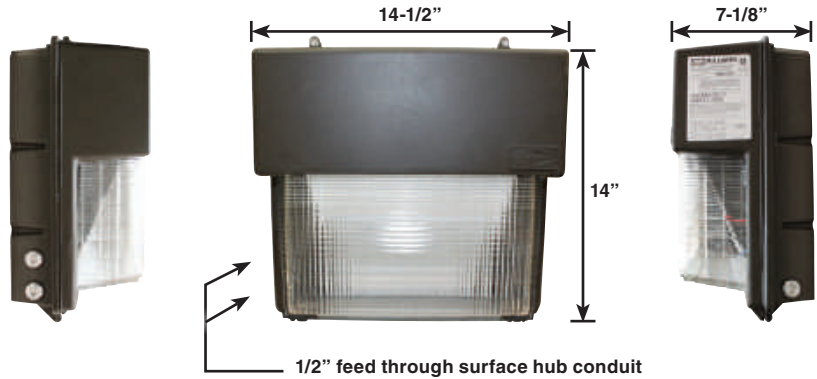
Clear Shield



Wire Guard

### ORDERING INFORMATION

ORDERING INFORMATION AND AMBIENT SUITABILITY						C1D2		L70		
CATALOG NO.	WEIGHT LBS./KG	WATTS	VOLTAGE	AMPS	LUMENS	40°C	55°C	TM-21	CALCULATED	
KWPL430	14.00 / 6.35	34	120-277VAC	0.12 - 0.28	4436	T5	T4A	60500	247000	
KWPL433			347-480VAC	0.07 - 0.10		T5	T4A	60500	247000	
KWPL434			120-250VDC	0.14 - 0.28		T5	T4A	60500	247000	
KWPL630		46	46	120-277VAC	0.17 - 0.38	5636	T4A	T4	60500	247000
KWPL633				347-480VAC	0.10 - 0.13					
KWPL634				120-250VDC	0.18 - 0.38					
KWPL830		68	68	120-277VAC	0.25 - 0.57	8404	T4A	T4	60500	247000
KWPL833				347-480VAC	0.14 - 0.20					
KWPL834				120-250VDC	0.27 - 0.57					
KWPL1130		90	90	120-277VAC	0.32 - 0.75	10914	T4	-	60500	247000
KWPL1133				347-480VAC	0.19 - 0.26					
KWPL1134				120-250VDC	0.36 - 0.75					



CSA US  
FACTORY  
SEALED

#### Photo Cell Field Kits for Harsh Type 4X and Class I, Div. 2 Locations

PHOTO CELL FIELD KITS	
CATALOG NUMBER	VOLTS
VMFSPC1	120VAC
VMFSPC2	208-277VAC
VMFSPC3	347VAC

KWP ACCESSORIES	
CATALOG NUMBER	DESCRIPTION
PGPS	Clear Shield (Polycarbonate) for Protecting Lens
PGWG	Wire Guard, Cadmium Plated Steel
PVLV	Glare Shield Full Cutoff Visor - Formed Bronze Aluminum Forces light to Walkway
KWPLENS	Replacement Door and Lens

# LIGHTING

EMERGENCY & UTILITY LIGHTING



## EMERGENCY BATTERY BACKUP & UTILITY LIGHTING



NEBS



LLS2



EBS



VSL



DVL



## EMERGENCY BATTERY SYSTEM



Class I, Division 2, Groups A, B, C, D  
 Class I, Zone 2, Groups IIA, IIB, IIB+H2, IIC  
 Class II, Division 1, Groups E, F, G  
 Class III  
 Suitable for wet locations  
 Type 4, 4X  
 IP66

UL Sanitation Certified with FP Option  
 Operating Temperature:  
 C1D2 & C2D1: 50° to 122°F (10° to 50°C)  
 C1D2 & C2D1: with heater option -22° to 122°F (-30° to 50°C)

### FEATURES-SPECIFICATIONS

#### Applications

The NEBS Series is a highly versatile superior lumen output, industrial application emergency lighting unit, designed to provide a minimum of 90 minutes illumination when primary power is lost. The NEBS Series provides the same level of lumen output with no light degradation for the full 90 minutes of battery discharge. It has a flame-rated, UV stable thermoplastic housing which is fully gasketed and corrosion resistant with a gray finish. LED based lamp-heads are made of high strength die-cast aluminum with a polycarbonate lens. Includes micro-controller based 3-stage charger and Lithium Iron Phosphate (LiFePO4) battery. The NEBS Series accepts 120 through 277VAC input at 50 or 60Hz. Not designed for self-diagnostic operation at 220-240VAC input. Universal mounting plate made of painted stamped steel. The NEBS is specifically designed for demanding environments, high reliability operation in industrial settings such as wet location or hose-down, food processing, food storage, production facilities, chemical plant and wastewater treatment.

#### Construction

The NEBS Series housing, covers, remote housing, shield and LED Lenses are made of impact resistant polycarbonate. Lamp-heads are made of die-cast aluminum for thermal dissipation.

#### Installation

The unit includes a universal mounting plate which facilitates mounting to a truss or I-beam, pole, column, or wall.

#### Illumination

The NEBS series provides bright and uniform illumination and is specifically designed for higher mounting heights above 9'. Coverage provided by 2 sealed aluminum lamp-heads using 3 high power LEDs each. The LEDs are located in a specially designed heat dissipating lamp-head which is fully adjustable and can be locked into position. The NEBS is designed for full lumen output across the entire 90 minutes of operation. This ensures maximum visibility of the egress path over the full 90 minute discharge period.

#### Electronics

Upon failure of the normal utility power, a LED driver is automatically activated to power the emergency LED lamp-heads. At resumption of normal utility power, the LED driver is turned off. The battery is recharged through a micro-controller based 3-stage charger. The battery is a maintenance-free Lithium Iron Phosphate (LiFePO4) type. The NEBS series accepts dual-voltage input of 120 through 277VAC at 50 or 60 Hz. A low voltage battery disconnect feature protects the battery from severe damage during prolonged power failures. Manual testing is available at any time using the push-to-test button. The NEBS remote can be located up to 100' from the source unit using 75°C minimum rated 12 gage wire.

#### Spectron Includes:

- Self-diagnostics monitors LED status, LED driver circuit, battery capacity and charger function and displays any fault detection by means of a flashing code
- Self-Test feature automatically runs a 1 minute test once a month and an alternating 30-60 minute test once every 6 months. Multi-color LED indicator provides visible fault detection and charging status
- User initiated 1, or 90-minute system test feature
- 15 minute re-transfer delay
- Automatic unit transfer in brown-out conditions (below 80% of nominal AC input voltage)







# LIGHTING

## EMERGENCY BATTERY SYSTEM

NEBS	12	I	C1D2	06L
Model	Capacity	Self-Diagnostics	Application	Lamp
	6 – 6 Watt 12 – 12 Watt	Blank – None I – Spectron® Self-Diagnostics	FP – Food Processing Rated C1D2 – Class 1 Div. 2 C2D1 – Class 2 Div. 1 HTR – Heater for Cold Temp	Blank – 3 Watt LED lamps 06L – 6 Watt LED lamps

OPERATING TEMPERATURE IN °C		
AMBIENT °C	CLASS 1 DIV. 2 A, B, C, D	CLASS 2 DIV. 1 E, F, G
40	T6	T6
50	T5	T6

ADDITIONAL PRODUCT INFORMATION							
CATALOG NUMBER	BATTERY	CAPACITY	LAMP(W)	LUMENS PER LAMP	RUNTIME	REMOTE CAPABLE	REMOTE PART NUMBER
NEBS6I-C1D2	LiFePO4	6 watts	3 watts	331	90 min	No	N/A
NEBS6I-C2D1							
NEBS12I-C1D2		12 watts	3 watts	331	90 min	Yes	NEBSRS-C1D2
NEBS12I-C2D1							NEBSRD-C1D2
NEBS12I-C1D2-06L							NEBSRS-C2D1
NEBS12I-C2D1-06L	NEBSRD-C2D1						
		12 watts	6 watts	514	90 min	No	N/A

INPUT POWER CONSUMPTION			
	INPUT VOLTAGE	AMPS.	MAX. WATTS
NEBS6	120	0.03	3.40
	277	0.04	3.49
NEBS12	120	0.05	5.98
	277	0.04	6.52

ACCESSORIES	
NEBSRS	Type 4X Rated Single Head Remote
NEBSRD	Type 4X Rated Double Head Remote
NEBSRS-FP	Food Processing Rated Single Head Remote
NEBSRD-FP	Food Processing Rated Double Head Remote
NEBSWG	Wire Guard (Does not include Food Processing option) 15”H x 14”L x 7”D
NEBSRD-C1D2	Class 1, Div. 2 Remote, 3W heads, 1 conduit hub included
NEBSRD-C2D1	Class 2, Div. 1 Remote, 3W heads with shield, 1 conduit hub included

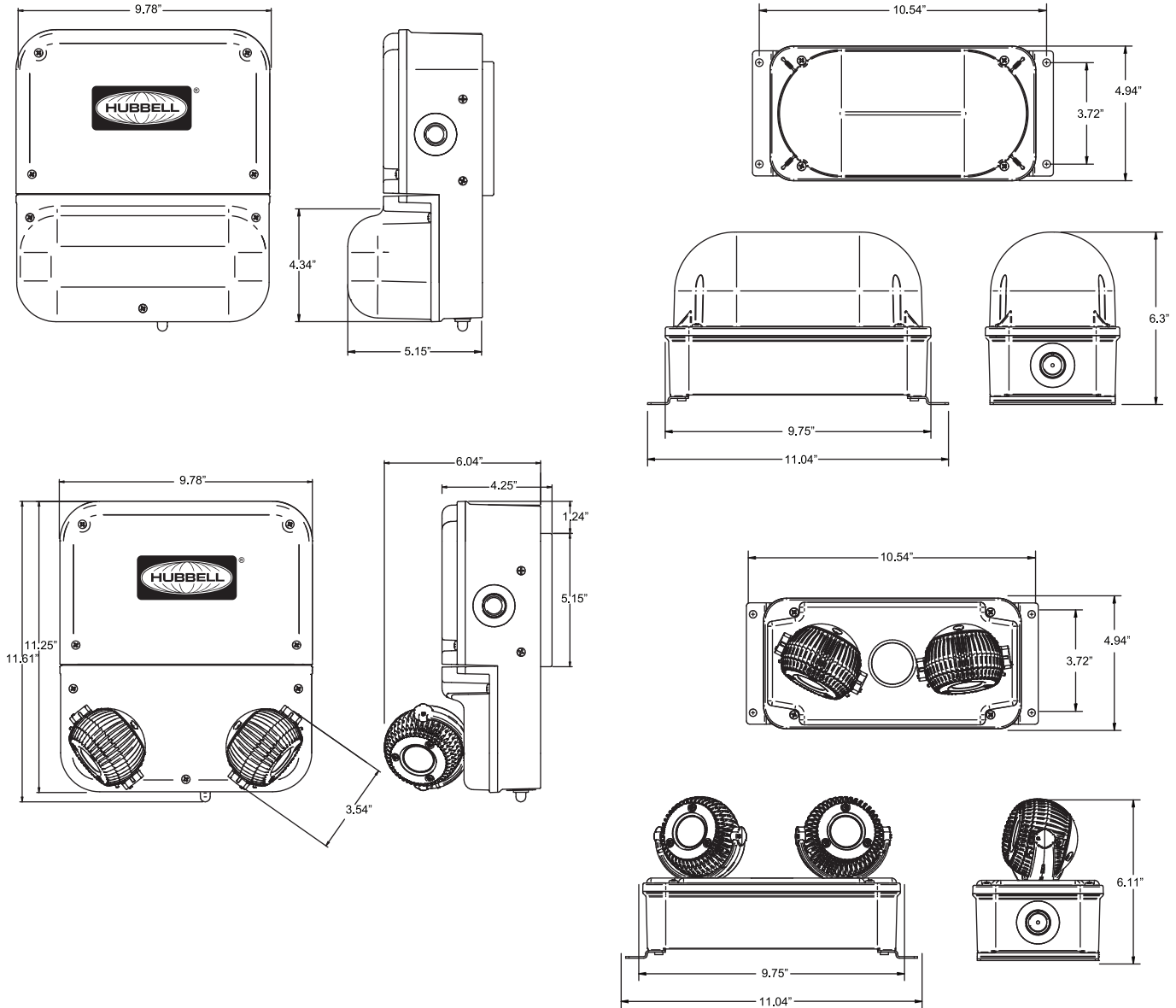
The NEBS Series meets proposed California Energy Commission(CEC) requirements for limits on power consumption in maintenance mode with less than 0.5 watts.

- Maintenance Mode Power Consumption 120VAC- 0.33W
- Maintenance Mode Power Consumption 277VAC- 0.36W



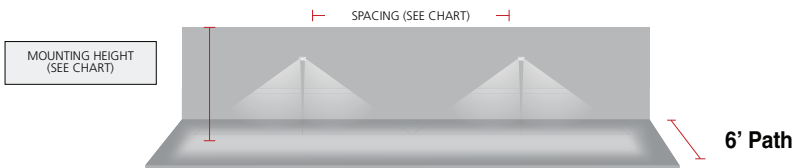


## DIMENSIONS



### APPLICATION DATA

#### Ceiling Mount



\* Multiple unit spacing based on 6' path

INDUSTRIAL PARAMETERS CH=30', R=10/10/10, CEILING MOUNTED (MULTIPLE UNIT SPACING), 6' PATH															
NEBS12I-06L (6 WATT HEAD OPTION)							NEBS6I (3 WATT HEADS)								
MOUNTING HEIGHT	20'	18'	16'	14'	12'	10'	7.5'	MOUNTING HEIGHT	20'	18'	16'	14'	12'	10'	7.5'
MAX SPACING @ 1 FC AVG.	62'	65'	68'	71'	74'	77'	81'	MAX SPACING @ 1 FC AVG.	43'	45'	48'	51'	53'	56'	59'
MAX SPACING @ 1 FC MIN.	35'	34'	34'	33'	32'	31'	29'	MAX SPACING @ 1 FC MIN.	28'	28'	27'	27'	26'	24'	22'



## EMERGENCY BATTERY SYSTEM – INTRODUCTION



EBS Battery Unit Only

## HOSTILE<sup>ITE</sup>® EBS

EMERGENCY

### FEATURES-SPECIFICATIONS

#### Applications

Where required by the NEC (or local “Life Safety” code) for safe egress (over doors, aisleways, stairs, walkways, exit paths, and outer perimeter walls) to provide illumination during interruption of normal power to area lighting.

In indoor or outdoor locations made hazardous by the presence of flammable gas, vapors, or dusts. Includes refinery/chemical production and storage, grain processing, waste water treatment facilities and any area requiring heavy-duty dependable emergency lighting.

#### Exclusive Features

- LED Heads provide clear crisp illumination at 5000° Kelvin
- LED Head L70 value 100,000 hours for minimal maintenance
- Two head models up to 500% brighter than competitive non-LED units
- Enclosure Type 4 (Type 4) for wet and harsh locations
- Group B is standard when using EBSHK type heads
- Automatic Safety Disconnect – Removing main cover disconnects battery power
- Ambient Suitability 0°C to 45°C Battery Unit; Heads to 55°
- Compact unit requires only two mounting points
- World Voltage 120-277 VAC 50/60Hz input

#### Other Features

- High % of lumens maintained during 90 minute egress cycle
- EBSHK type heads are fully adjustable on unit or remote when ordered with RFSL Factory Sealed mounting kits

- EBSEL type heads are factory sealed on their EZ type mounting boxes
- Heads can be remote mounted over 300' from battery unit
- Ni-Cad sealed batteries provide 90 minutes of illumination
- Integral base unit LED pilot light indicates AC power is present
- Choice of Integral or Remote Push-To-Test station to verify system operation
- Vapor Capsule to inhibit corrosion is standard with main enclosure unit
- Terminal Blocks identified for incoming and outgoing connections

#### Compliances

- UL 1598 Standard for Luminaires
- UL 8750 for LED Lighting
- UL 844 Luminaires for Hazardous Locations
- UL 1203 Explosion-Proof/Dust-Ignition-Proof Electrical Enclosures
- UL 924 Emergency Lighting
- CSA C22.2 no. 137-M1981 Luminaires for Hazardous Locations
- CSA C22.2 no. 30-M1986 C1D1 Enclosures
- CSA 22.2 no. 25-1066 C2D1 EFG Enclosures
- Enclosure Type 4
- Type 4, 7BCD, 9EFG

#### Materials

- Main Enclosure and Heads Copper Free Aluminum alloy with Baked Powder epoxy/polyester finish, electrostatically applied for complete, uniform corrosion protection
- Attachment fittings copper-free aluminum
- External hardware 316 Stainless Steel
- EBSEL reflectors EXIT accessory aluminum with white paint

Class I, Div. 1&2, Groups B,C,D  
 Class I, Zone 1&2, Groups IIB+H2, IIA  
 Class II, Div. 1&2, Groups EFG  
 Class III  
 Enclosure Type 4 (Type 4, 7B CD, 9EFG)

SP US File LR11713

#### Notes

- Main EBS unit is CID1 Grp B (Suitable Zone 1 IIB+H2) with attached EBSHK heads or no heads; with attached EBSEL heads unit is CID1 Groups CD (Suitable Zone 1 IIB, IIA)



EBS Unit with HK Type Heads and Integral Push-To-Test



EBS Unit with EL Type Heads and Integral Push-To-Test



EBS Unit with EL Type Head and Exit plus HK Head with remote Push-To-Test



## EMERGENCY BATTERY SYSTEM – LOGIC & COMPONENTS

### Catalog Number Logic

**EBS23DH - P T A D**

**EBS23DH** Series Constant 120-277V 50/60Hz 23W  
Dual-Head (Remote or Attached)

#### Test Options

- P** – Push-To-Test on Enclosure
- R** – Remote Push-To-Test Station (EBS-PTT shipped separately)
- N** – None - ordered separately or breaker controlled

#### Time Delay Option

- T** – Power Resumption Emergency Time-delay (Factory set approx. 15 min.) 120 thru 277V
- N** – No Time-Delay

#### Luminaire Head Options

- N** – No heads - For Remote Heads Ordered Separately
- A** – 2 EBSHK1030 Heads Factory Attached
- B** – 2 EBSEL1030 Heads (Less Guards) and Fittings for Attachment
- BG** – 2 EBSEL1030 Heads with Guards and Fittings for Attachment
- BE** – 2 EBSEL1030 Heads with 1 Guard and 1 HEXA-100 EXIT and Fittings for Attachment
- C** – 1 EBSHK1030 Head Attached and 1 EBSEL1030 Head (Less Guard) and Fittings for Attachment
- CG** – 1 EBSHK1030 Heads Attached and 1 EBSEL1030 Head with Guard and Fittings for Attachment
- CE** – 1 EBSHK1030 Heads Attached and 1 EBSEL1030 Head with HEXA-100 EXIT and Fittings for Attachment
- D** – 1 EBSHK1030 Only (2nd Head Remote - Ordered Separately)
- E** – 1 EBSEL1030 Only Less Guard and Fittings for Attachment (2nd Head Remote - Ordered Separately)
- EG** – 1 EBSEL1030 Only with Guard and Fittings for Attachment (2nd Head Remote - Ordered Separately)
- EE** – 1 EBSEL1030 Only with HEXA100 EXIT and Fittings for Attachment (2nd Head Remote - Ordered Separately)

#### Drain

- D** – Group B Drain for Wet Applications including condensation from heat <> cold cycling
- Blank** – Not included



Factory Sealed Remote LED Spot Light - Bottom Feed



Factory Sealed Remote LED Spot Light - Side Feed



Remote Push-To-Test Station



Remote LED Luminaire

### EBS UNIT - BOTTOM DETAIL



- A** Optional Push-To-Test
- B** Optional Group B Drain
- C** Standard Pilot Light
- D** Entry for Remote P-T-T Station
- E** Power Entry (also on top)

The EBS23 System is designed to power 2 Heads for operation (total attached or remote); each Head is approximately 10 Watts.



# LIGHTING

## EMERGENCY BATTERY SYSTEM – PRE-CONFIGURED UNITS



Class I, Div. 1&2, Groups B,C,D  
 Class I, Zone 1&2, Groups IIB+H2, IIA  
 Class II, Div. 1&2, Groups EFG  
 Class III  
 Enclosure Type 4 (Type 4, 7B CD, 9EFG)

cSP US File LR11713

### ORDERING INFORMATION

INTEGRAL PUSH-TO-TEST		REMOTE PUSH-TO-TEST		
<b>EBS SYSTEM WITH TWO EBSHK HEADS</b>				<b>CID1BCD</b>
Integral PTT, Two EBSHK	Integral PTT, <b>TDR</b> , Two EBSHK	Remote PTT, Two EBSHK	Remote PTT, <b>TDR</b> , Two EBSHK	
<b>EBS23DH-PNA</b>	<b>EBS23DH-PTA</b>	<b>EBS23DH-RNA</b>	<b>EBS23DH-RTA</b>	
<b>EBS SYSTEM WITH TWO EBSEL HEADS WITH GUARDS</b>				<b>CID1CD</b>
Integral PTT, Two EBSEL Heads w/ Guards	Integral PTT, <b>TDR</b> , Two EBSEL Heads w/ Guards	Remote PTT, Two EBSEL Heads w/ Guards	Remote PTT, <b>TDR</b> , Two EBSEL Heads w/ Guards	
<b>EBS23DH-PN8G</b>	<b>EBS23DH-PT8G</b>	<b>EBS23DH-RN8G</b>	<b>EBS23DH-RT8G</b>	
<b>EBS SYSTEM WITH ONE EBSHK HEAD &amp; 1 EBSEL HEAD WITH GUARD</b>				<b>CID1CD</b>
Integral PTT, One EBSHK & One EBSEL Head w/ Guard	Integral PTT, <b>TDR</b> , One EBSHK & One EBSEL Head w/ Guard	Remote PTT, One EBSHK & One EBSEL Head w/ Guard	Remote PTT, <b>TDR</b> , One EBSHK & One EBSEL Head w/ Guard	
<b>EBS23DH-PNCG</b>	<b>EBS23DH-PTCG</b>	<b>EBS23DH-RNCG</b>	<b>EBS23DH-RTCG</b>	
<b>EBS SYSTEM WITH TWO EBSEL HEADS ONE WITH EXIT</b>				<b>CID1CD</b>
Integral PTT, Two EBSEL Heads, One w/ EXIT, One w/ Guard	Integral PTT, <b>TDR</b> , Two EBSEL Heads One w/ EXIT, One w/ Guard	Remote PTT, Two EBSEL Heads, One w/ EXIT, One w/ Guard	Remote PTT, <b>TDR</b> , Two EBSEL Heads, One w/ EXIT, One w/ Guard	
<b>EBS23DH-PNBE</b>	<b>EBS23DH-PTBE</b>	<b>EBS23DH-RNBE</b>	<b>EBS23DH-RTBE</b>	
<b>EBS SYSTEM WITH ONE EBSHK HEAD &amp; ONE EBSEL HEAD WITH EXIT</b>				<b>CID1CD</b>
Integral PTT, One EBSHK Head, One EBSEL w/ EXIT	Integral PTT, <b>TDR</b> , One EBSHK Head, One EBSEL w/ EXIT	Remote PTT, One EBSHK Head, One EBSEL w/ EXIT	Remote PTT, <b>TDR</b> , One EBSHK Head, One EBSEL w/ EXIT	
<b>EBS23DH-PNCE</b>	<b>EBS23DH-PTCE</b>	<b>EBS23DH-RNCE</b>	<b>EBS23DH-RTCE</b>	
<b>EBS SYSTEM ONLY FOR REMOTE HEADS (ORDER TWO SEPARATELY)</b>				<b>CID1BCD</b>
Integral PTT, No Heads	Integral PTT, <b>TDR</b> , No Heads	Remote PTT, No Heads	Remote PTT, <b>TDR</b> , No Heads	
<b>EBS23DH-PNN</b>	<b>EBS23DH-PTN</b>	<b>EBS23DH-RNN</b>	<b>EBS23DH-RTN</b>	





## EMERGENCY BATTERY SYSTEM – REMOTE HEADS & ACCESSORIES



EBSEL1030 COMPONENTS & ACCESSORIES – DESCRIPTION	CATALOG NUMBER
EBSEL 10W Head Only with LED's, Less Mount and Guard	EBSEL1030
Guard	EMG1
Red Guard – used to signify remote fixture is for Emergency	EMG1-R
EXIT Accessory – 3-sided white painted aluminum	HEXA-100
Dome Reflector	ERSD15
Angle Reflector	ERA15
Sealed Fittings Set for attachment of Pendant EBSEL to EBS23HD-xxx	EBS-AHFS
Replacement Globe and Support Assembly	EMGS1



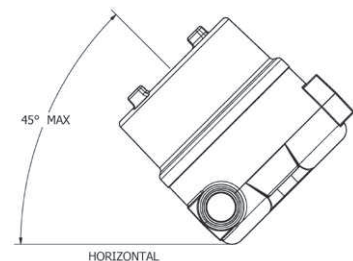
EBSEL Shown with Exit Accessory



MOUNTING BOXES				
CATALOG NUMBER				HUB SIZE
PENDANT	CEILING	BRACKET	STANCHION	
EZA2	EZX2	EZB2	-	3/4"
EZA3	EZX3	EZB3	-	1"
-	-	-	EZD4	1-1/4" / 1-1/2"



EBS23DH SERIES ACCESSORIES – DESCRIPTION	CATALOG NUMBER
Remote Push-To-Test Station Group B 3/4" Feed-Thru w/Close Up Plug	EBS-PTT
Remote Push-To-Test Station with Lock Off, Group B 3/4" Feed-Thru	EBS-PTT-LO
Lock-Off for Integral Push-To-Test	G010502
Sealed Fittings Set for attachment of EBSHK to GEBC-2 or GEBL-2	EBS-AHFS
Replacement Battery Pack and Electronics	KLBP01
Replacement Vapor Capsule for corrosion protection	EBS-VC



EBSHK Heads can be aimed up to 45 above horizontal – if flush on wall will require spacing out.



# LIGHTING

## EMERGENCY BATTERY SYSTEM – ELECTRICAL & TEMPERATURE DATA



EBS System with SINGLE HEAD

SPOTLIGHT

LUMINAIRE

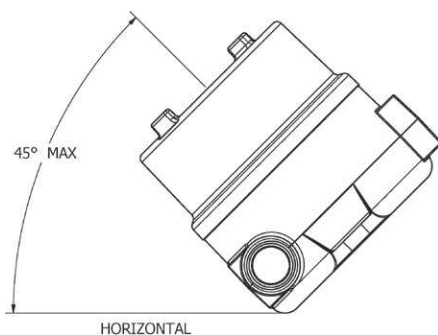
EXIT SIGN

EBS23DH ELECTRICAL DATA						
CATALOG NUMBER	INPUT**			OUTPUT**		
	VOLTAGE	WATTS	CURRENT	VOLTAGE	WATTS	CURRENT
EBS23DH	120-277VAC	7.5	.1 A	33VDC	23	700mA

\*\* Figures nominal. Current is 350mA to each of 2 heads (2 heads are required for proper operation, remote or attached).

THERMAL PERFORMANCE DATA					
CATALOG NUMBER	AMBIENT	CID1	CHD1	SUITABILITY	SUPPLY WIRE
EBS23DH	45°C	T6	EFG	0-45°C	75°C
EBSEL1030	55°C	T6	EFG	-40 to 40°C	75°C
EBSHK1030	55°C	T6	EFG	-40 to 40°C	75°C

\* Heads are NOT certified for use without EBS Battery Unit

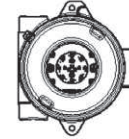


EBSHK Heads can be aimed up to 45 above horizontal – if flush on wall will require spacing out.

### 4 Head EBS option:

EBS units are designed for 2 head operation and will provide the lumens noted at right. However, 4 heads can be connected and will operate for 90 minutes at half the published lumen values. The EBSHK1030 would provide 456 lumens; the EVSEL1030 540 lumens. Instructions for wiring are included with the main EBS unit.

### LED 10W EBSHK1030

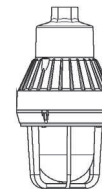


ZONAL LUMEN SUMMARY		
ZONE	LUMENS	FIXT%
0-30	254	27.9%
0-40	423	46.3%
0-60	781	85.5%
0-90	913	100.0%
90-120	0	0.0%
90-130	0	0.0%
90-150	0	0.0%
90-180	0	0.0%
0-180	913	100.0%

Absolute Photometry  
Total Luminaire Efficiency = N.A.%  
Spacing to Mounting Height Ratio 2.1

EMERGENCY MODE LUMENS		
5 Min.	99.1%	905 Lumens
45 Min.	99.4%	871 Lumens
90 Min.	95.3%	871 Lumens

### LED 10W EBSEL1030



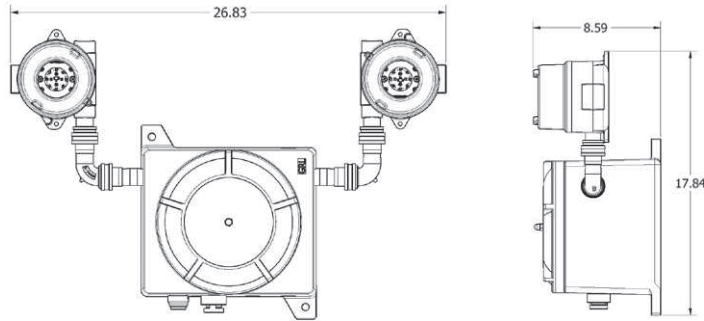
ZONAL LUMEN SUMMARY		
ZONE	LUMENS	FIXT%
0-30	180	16.7%
0-40	344	31.8%
0-60	758	70.1%
0-90	1067	98.7%
90-120	11	1.0%
90-130	13	1.2%
90-150	14	1.3%
90-180	14	1.3%
0-180	1081	100%

Absolute Photometry  
Total Luminaire Efficiency = N.A.%  
Spacing to Mounting Height Ratio 2.1

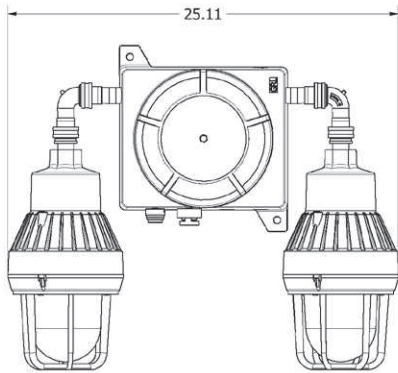
EMERGENCY MODE LUMENS		
5 Min.	94.4%	102 Lumens
45 Min.	91.3%	987 Lumens
90 Min.	89.3%	966 Lumens



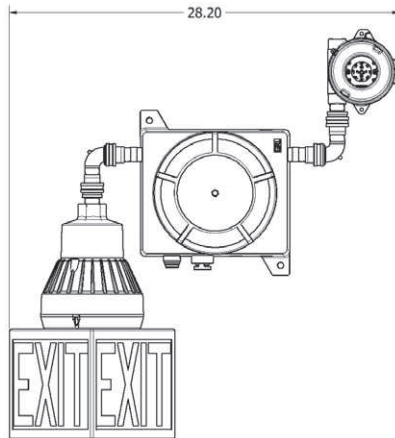
## EMERGENCY BATTERY SYSTEM – DIMENSIONS & WEIGHTS



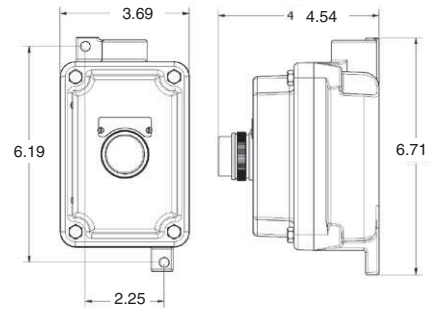
Dimensions - EBS with HK Heads



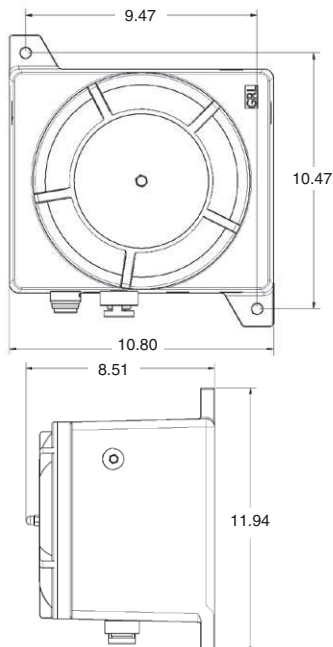
Dimensions - EBS with EL Heads



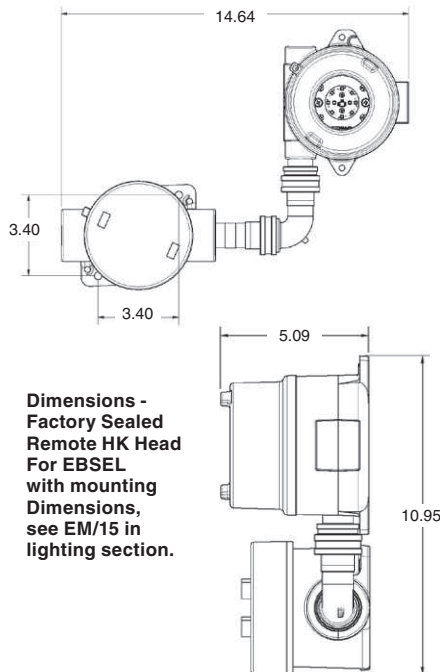
Dimensions - EBS with EL-EXIT & HK Heads



Dimensions - Remote Test Station



Dimensions - EBS Main Unit



Dimensions -  
Factory Sealed  
Remote HK Head  
For EBSEL  
with mounting  
Dimensions,  
see EM/15 in  
lighting section.

WEIGHTS (SHIPPING) INDIVIDUAL AND COMBINATIONS	LBS.
EGS23DH Main Unit Only	36.6
EBSEL1030 Pendant Head Only w/ Fittings Set	12.3
EBSHK1030 Head Only w/ Fittings Set	5.0
EBSHK1030-RFSC (or RFSL)	11.0
EBS-PTT	3.0
EBS-AHFS Factory Sealed Fittings Set	0.6
EBS23DH & 1 EBSHK w/ Fittings	41.6
EBS23DH & 2 EBSHK w/ Fittings	46.6
EBS23DH & 1 EBSEL w/ Fittings	48.9
EBS23DH & 2 EBSEL w/ Fittings	61.2
EBS23DH & 1 EBSEL & 1 EBSHK w/ Fittings	53.9





# LIGHTING

## LED LIGHT HEAD LUMINAIRE



GR Box

### FEATURES-SPECIFICATIONS Applications

The intrinsically safe Type LLS2 LED luminaire is part of the Killark portable area lighting system that is designed to provide plant and area illumination in Group I and II harsh and hazardous areas. The LLS2 LED finds application on longwalls, around load centres and on machinery such as road headers, continuous miners and roof bolters for general area illumination.

The LLS2 LED luminaire uses high efficiency LED technology to provide both a compact low profile form factor and a long life maintenance free area illumination solution.

The luminaire is powered from a general-purpose intrinsically safe 12V power supply the Austdac AC36W installed in a GR enclosure. The AC36W is capable of powering up to 4 LLS2 LEDs. Up to 2 power supplies can be placed in a GR enclosure allowing for 8 LED's

The LLS2 LED luminaire is fitted with two power connectors which allow the LLS2 LED to be daisy chained.

The LLS2 LED can be mounted by the integral high strength magnets or may be bolted in place using the two external 12mm mounting holes. These two simple mounting alternatives and integral connector make the LLS2 LED particularly suited for use as longwall area lighting as the lighting system can be quickly removed during longwall relocations.

### Compliances

- The LED luminaire type LLS2 is IECEx certified for use in Group I and II hazardous areas. The LLS2 IECEx certificate is IECEx TSA 15.0028X
- The LLS2 LED markings are Ex ia I Ma and Ex ia IIB T3 Ga.
- For Group II applications the user should refer to the User's Manual regarding potential electrostatic charging hazard.

### Features and Standards

- High Intensity cool white
- High efficiency LED technology 650lm
- Low profile
- Magnetic or bolt mounting
- Intrinsically safe
- Long life
- Certified for Group I and II

### Specifications

- Name – Luminaire LED
- Type – LLS2
- Mounting – M12 @ 340mm centres
- Size – 100(H)x360(W)x42(D)mm  
3.93(H)x14.17(W)x1.65(D)
- Mass – 1100g
- Electrical connections – Integral connector
- Maximum cable length – 50m (164 feet)
- Ingress protection – IP65
- Operating temp range – -20°C to +40°C  
-04°F to +104°F

- LED Head** Zones 0, 1, 2  
Ex ia I Ma and Ex ia IIB T3 Ga  
IP65  
Ta = -20°C to +40°C  
Certificate: IECEx TSA 15.00 28X
- 
- GR** Zone 1, 2  
Ex d IIB T5/T6 and Ex tDA21 T80°C or T90°C  
IP66  
Ta = -20°C to +60°C  
Certificate: IECEx PTB 05.0029
- 
- Connectors** Zone 1, 2  
Ex dbe IIC and Ex tb IIIC Db T85  
IP66  
Ta = -40°C to +60°C  
Certificate: IECEx BAS 06.0018X

### Power Supply

- Operating Voltage – 10.0 - 12.6Vdc
- Current Consumption – 700mA max
- Ui – 12.6Vdc
- Ii – 3.3A
- Ci – 3.3uF
- Li – 0uH

### Photometrics

- Luminance Flux – 650lm
- Beam angle – 90°
- Color temperature – 5000-8300°K



CATALOG NUMBER	DESCRIPTION
LLS002-01	LED Light Head Luminaire Type LLS2 - GROUP I
LLS002-02	LED Light Head Luminaire Type LLS2 - GROUP II
LLS002-C1-10	Cable LLS2 - 1 Connector – 10m
LLS002-C2-10	Cable LLS2 - 2 Connector – 10m
PSAC36W-12V-3.00A	Power Supply Type AC36W
GRISCB1	GR Enclosure / (1) Intrinsically-Safe Power Supply / InstrumEx Connectors
GRISCB2	GR Enclosure / (2) Intrinsically-Safe Power Supply / InstrumEx Connectors



## UTILITY LIGHT – INTRODUCTION



Class I, Div. 2, Groups A,B,C,D  
 Class I, Zone 2, Groups IIC,IIB,IIA  
 Class II, Div. 2, Groups F,G  
 Class III  
 Suitable for wet locations  
 Enclosure Type 4

 Certified - File LR11713

## V SERIES LED

### FEATURES-SPECIFICATIONS

#### Introduction

Killark 'VSL' Series LED fixtures are designed for installations where moisture, dirt, dust, corrosion and vibration may be present, or Type 3 and 4 areas where wind, water, snow or high ambients can be expected. VSL's are sized to replace "Utility" type fixtures (incandescent or CFL's) in hallways, closets, elevator pits, docks, stairwells, access tunnels, and mechanical rooms. These fixtures can be used in locations made hazardous by the presence of flammable vapors or gases or combustible dusts as defined by the NEC. Typical applications include manufacturing plants, and certain chemical and petrochemical processing facilities, sewage treatment plants, off-shore and dockside installations, and garage areas.

#### LED Luminaire Features and Standards

- Compact in Size with Traditional Industrial Appearance and Suitability
- Wide variety of optics including glass globes (clear and tempered, color) plus polycarbonate globes in clear and colors (Polycarbonate globes are suitable to 40°C.)
- Optional Mounting arrangements including Pendant, Wall, Ceiling, Stanchion and Adapters
- Fixtures available unit packed, order option CP
- VSL LED Housings can be retrofitted to existing V Series splice boxes; upgrade from CFL or incandescent
- Energy Savings – less than 13 Watts of Power; less than 16 Watts for VSL1630. Replaces 75W or higher incandescent

- Long Fixture Life – 50,000 - 55,000 maintenance free hours
- Crisp White Light for Excellent Color Rendering – Chromaticity 5000°K (CCT); 70 CRI
- Integral driver – maintains fixture's compact profile to fit in existing spaces
- Ambient suitability -40°C to 55°C
- Instant on – including after power interruption
- "World Voltage" 120-277VAC 50/60Hz
- Solder-LESS LED Board Connections – Vibration Resistant

#### Compliances

- UL-8750 for LED lighting
- UL 1598 standard for luminaires
- UL-844 Standard for lighting fixtures for hazardous locations, Class I, Division 2; Class II, Division 2; Class III, Division 2
- CSA C22.2 no. 137-M1981 electric luminaires for use in hazardous locations
- Enclosed and gasketed
- Type 3, 4

#### Materials, Weights

- Body, splice box and guards are corrosion resistant copper-free aluminum alloy
- Baked powder epoxy/polyester finish, electrostatically applied for complete, uniform corrosion protection
- Reflectors – Polypropylene for pendant or ceiling applications
- Heavy-duty silicone gasketing for Type 4 requirements

#### Optic Selection Examples

- Broadest **COLOR** globe offering for Hazardous Locations in the industry
- Use as status lights or specialty/emergency indicators



# LIGHTING

VSL SERIES



## UTILITY LIGHT – CATALOG LOGIC



Clear Glass w/Guard    White Glass w/Guard    Blue Glass    Clear Polycarbonate    Red Polycarbonate

**Class I, Div. 2, Groups A,B,C,D**  
**Class I, Zone 2, Groups IIC,IIB,IIA**  
**Class II, Div. 2, Groups F,G**  
**Class III**  
**Suitable for wet locations**  
**Enclosure Type 4**

Certified - File LR11713

### V SERIES LED Catalog Number Logic

- VSL Series Constant**
  - 1
  - 2
  - 3
- Lamp Wattage**
  - 13 = 13W LED
  - 16 = 16W LED
- Voltage**
  - 30 – 120-277VAC (13W, 16W)
  - 27 – 12-24VDC (13W, 16W)
  - 34 – 120-250VDC (13W)
- Mounting Type**
  - NN – Mounr Ordered Separately
  - A1 – 1/2" Pendant (VGA-1)
  - A2 – 3/4" Pendant (VGA-2)
  - F1 – 1/2" Ceiling w/Feet & Adapter (VBC-1 w/VBA)
  - F2 – 3/4" Ceiling w/Feet & Adapter (VBC-2 w/VBA)
  - X1 – 1/2" Ceiling (VGX-1)
  - X2 – 3/4" Ceiling (VGX-2)
  - C1 – 1/2" Ceiling (VGC-1)
  - C2 – 3/4" Ceiling (VGC-2)
  - H1 – 1/2" Ceiling Dead End (VGH-1)
  - H2 – 3/4" Ceiling Dead End (VGH-2)
  - D1 – 1/2" Ceiling Deep (VXA-1)
  - D2 – 3/4" Ceiling Deep (VXA-2)
  - D4 – 1-1/4" Stanchion (VD-4)
  - RA – Round (Box) Adapter (VBA)
  - SA – Square (Box) Adapter (VFPS)
  - W1 – 1/2" Wall w/Feet (VBC-1 w/VB-1)
  - W2 – 3/4" Wall w/Feet (VBC-2 w/VB-2)
  - V1 – 1/2" Wall Elbow (VB-1)
  - V2 – 3/4" Wall Elbow (VB-2)
  - FL – Elbow for "V" Box (VFL)

- A1** – 1/2" Pendant (VGA-1)
- S** – Standard Reflector (Pendant or Ceiling Use Only)
- G - B S** – **Reflector**
  - CP – Component Pack
- G - B S** – **Optic Color (Optic Type)**
  - A – Amber (S, H, P)
  - B – Blue (S, H)
  - R – Red (S, H, P)
  - G – Green (S, P)
  - P – Purple (S)
  - BG – Blue Green (S, H)
  - W – White (S)
- G - B S** – **Guard**
  - G – Guard (For Glass Globes Only)
  - N – No Guard (Standard on Polycarbonate Globes)
  - R – Guard Red (For Glass Globes Only)  
Can Signify Emergency UPS Circuits
- Optics\*\***
  - S – Standard Globe (Clear)
  - H – Heat Resistant (Tempered) Globe (Clear)
  - P – Polycarbonate (Clear)



COLORED GLOBE OPTIONS** EXAMPLE VSL1330A1SG-A			
SUFFIX AND AVAILABLE COMBINATIONS			
COLOR NUMBER	STANDARD GLOBE	TEMPERED GLOBE	POLYCARBONATE
AMBER	A	A	A
BLUE	B	B	—
RUBY	R	R	R
GREEN	G	—	G
PURPLE	P	—	—
BLUE-GREEN	BG	BG	—
WHITE	W	W	W



\*\* Use tempered glass or poly globe for wet location applications.



## UTILITY LIGHT – COMPONENTS



VSL Body

**RETROFIT  
FOR ENERGY  
SAVINGS**

### VSL Fixture Bodies Only

Fixture bodies contain the LED driver and array, heat sink plus gaskets, and are threaded to accept globes, guards and reflectors. Users with KILLARK “V” Series vapor tight fixtures from the 1960’s onward can up-grade to the latest technology and, in many cases, reuse existing mounts, globes and guards. VSL bodies are designed for metallic boxes and mount directly to V Series splice boxes or adapters as indicated.

VSL FIXTURE BODIES	
CATALOG NUMBER	DESCRIPTION
VSL1330	13W 120-277VAC 50/60Hz Body with LEDs and Driver
VSL1630	16W 120-277VAC 50/60Hz Body with LEDs and Driver



VGA



VGH



VGC



VGX



VXA



VBC



VBA



VFPS

### VSL Splice Boxes

For use with VSL Series fixture bodies.

VSL SPLICE BOXES				
CATALOG NUMBER	HUB SIZE	QTY.	LOGIC CODE	DESCRIPTION
VGA-1	1/2"	1	A1	Pendant mount
VGA-2	3/4"	1	A2	
VGH-1	1/2"	1	H1	Ceiling mount
VGH-2	3/4"	1	H2	
VGC-1	1/2"	2	C1	Ceiling mount
VGC-2	3/4"	2	C2	
VGX-1	1/2"	4	X1	Ceiling mount
VGX-2	3/4"	4	X2	
VXA-1	1/2"	5	D1	Ceiling mount, deep box
VXA-2	3/4"	5	D2	
VBC-1	1/2"	4	F1	Ceiling mount, with 3 close-up plugs (requires VBA Adapter) or wall mount with VB elbow
VBC-2	3/4"	4	F2	
VXAB	–	–	–	Blank close-up plate (less gasket)

### VSL Adapters

VSL ADAPTER MOUNTING PLATES	
CATALOG NUMBER	DESCRIPTION
VBA	Adapts fixture body to VB, VJ or steel 3-1/2" & 4" splice boxes. Supplied with gasket.
VFPS	Adapts fixture body to steel 4" square outlet boxes or 3-1/2" or 4" octagon boxes

### VSL Wall/Stanchion Mounts



VB



VFL



VD

VSL MOUNTING BRACKETS			
CATALOG NUMBER	HUB SIZE	QTY.	DESCRIPTION
VB-1	1/2"	1	Wall mount to VJ or VB boxes
VB-2	3/4"	1	Wall mount to VJ or VB boxes
VFL	–	–	Wall mount to V boxes directly or to VJ, VB boxes with VBA adapter
VD-4	1-1/4"	1	Stanchion mount



# LIGHTING

## UTILITY LIGHT – COMPONENTS, RATINGS & WEIGHTS

### VSL Globes



VSL GLOBES – ORDERING INFORMATION AND SUFFIX GRID*						
COLOR	GLASS	OPTIC LOGIC	TEMPERED GLASS	OPTIC LOGIC	POLYCARBONATE	OPTIC LOGIC
Clear	VCG-100	S*	VCGP-100	H*	VPLCG-100	P*
Amber	AMG-100	A	VAMGP-100	A	VPLCG-100A	A
Blue	VBG-100	B	VBGP-100	B	–	–
Ruby (Red)	VRG-100	R	VRGP-100	R	VPLCG-100R	R
Green	VRSG-100	G	–	–	VPLCG-100G	G
Purple	VPG-100	P	–	–	–	–
Blue-Green	VGG-100	BG	VGGP-100	BG	–	–
White	VWG-100	W	VWGP-100	W	VPLCG-100W	W

\* Use tempered glass or polycarbonate globes for wet location applications.

### VSL Components



VSL COMPONENT PARTS AND ACCESSORIES	
CATALOG NUMBER	DESCRIPTION
VAG-100	Aluminum Guard for use with Glass Globe
VAG-100R	Red Aluminum Guard for use with Glass Globe
VTG-S	Body to Splice Box Gasket – Silicone
VTGG1-S	Globe Gasket – Silicone
VPRSD-100	White polypropylene for pendant & ceiling applications. Not for use with wall or stanchion models.

Typical Weights (lbs.) w/Standard Globe and Guard – VSL Series			
Pendant 7.03	Ceiling 7.51	Wall 8.09	Stanchion 7.61

### VSL Thermal Ratings

VSL THERMAL PERFORMANCE DATA INCLUDING VPRSD-100 REFLECTOR								
CATALOG NUMBER	AMBIENT	C1D2		C2D2		SUPPLY	L70	
		GLASS GLOBE	POLY GLOBE	GLASS GLOBE	POLY GLOBE	WIRE	TM-21	CALCULATED
VSL1330	40°C	T6	T5	T5 (F,G)	T5 (F,G)	90°	60,500	100,000+
VSL1330	55°C	T5	–	–	–	90°	60,500	100,000+
VSL1630	40°C	T5	–	T5 (F,G)	–	90°	60,500	100,000+

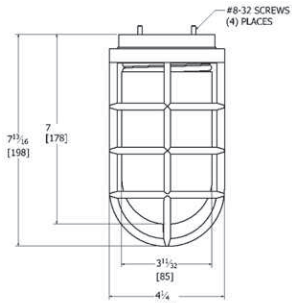
### VSL Electrical Ratings

VSL LED BODY WITH DRIVERS/JAND LEDS – ELECTRICAL RATINGS					
CATALOG NUMBER	VOLTAGE 50/60HZ	WATTS	AMPS 120/277	LUMENS	WEIGHT LBS.
VSL1330	120-277VAC	12.42	.108/.047	1300	5.0
VSL1630	120-277VAC	15.64	.156/.067	1625	5.0

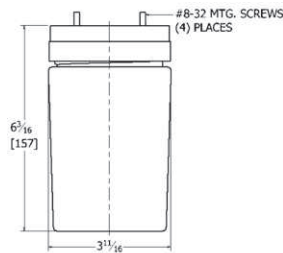
DELIVERED LUMENS			
WATTS	W/GLOBE VCG-100	W/GLOBE VPLCG-100	W/GLOBE VWG100
13W	1211	1104	905
16W	1328	1308	1072



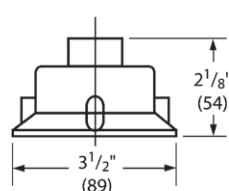
## UTILITY LIGHT – DIMENSIONS



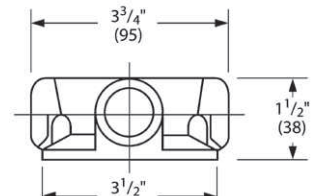
VSL Body w/Globe & Guard, No Splice Box



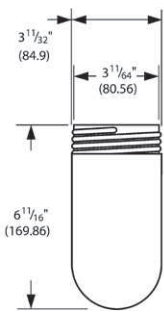
VSL Body w/Polycarbonate Globe, No Splice Box



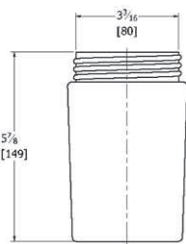
VGA



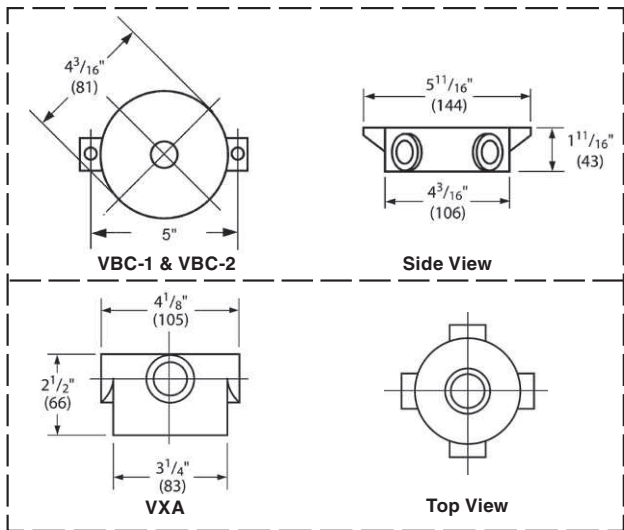
VGC or VGX  
\*VGH is 3-5/8" (92)



Glass Globe



Polycarbonate Globe

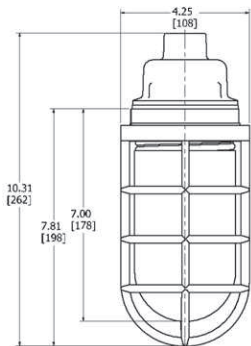


VBC-1 & VBC-2

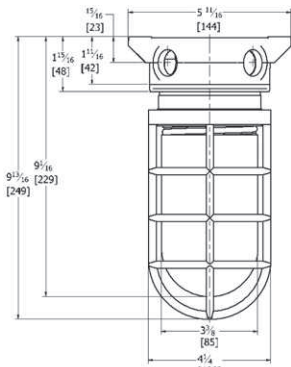
Side View

VXA

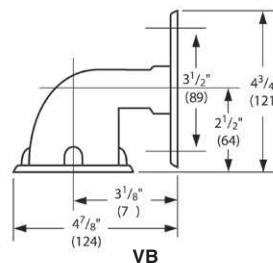
Top View



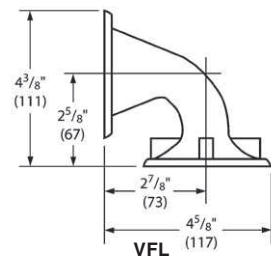
VSL Pendant Fixture w/Globe & Guard



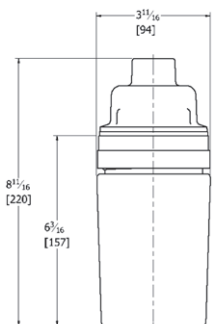
VSL Ceiling Fixture w/Globe & Guard



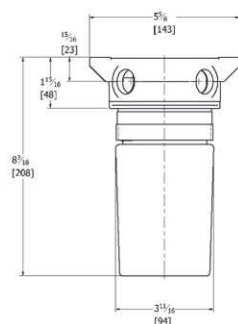
VB



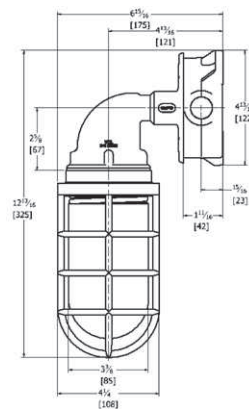
VFL



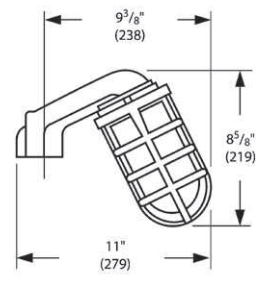
VSL Pendant Fixture w/Polycarbonate Globe



VSL Ceiling Fixture w/Polycarbonate Globe



VSL Wall Mounted Fixture w/Globe & Guard



VSL Stanchion Fixture w/Globe & Guard



# LIGHTING

## CLASS II UTILITY LIGHT – INTRODUCTION & ORDERING INFORMATION



Class II, Div. 1 & 2, Groups E, F, G  
 Class III  
 Class I, Div. 2, Groups A, B, C, D

 Certified - File LR11713

### DV SERIES LED

#### FEATURES-SPECIFICATIONS Introduction

Killark 'DVL' Series LED fixtures are designed for hazardous locations where suspended metal, carbon (such as coal) and grain dusts create explosive or ignitable mixture with the air.

#### LED Luminaire Features and Standards

- Compact in Size with Traditional Industrial Appearance and Suitability
- DVL LED Housings can be retrofitted to existing DV Series splice boxes; upgrade from incandescent housing 100 Series components
- Long Fixture Life – 50,000 - 55,000 maintenance free hours
- Crisp White Light for Excellent Color Rendering – Chromaticity 5000°K (CCT); 70 CRI
- Integral driver – maintains fixture's compact profile to fit in existing spaces
- Instant on – including after power interruption
- "World Voltage" 120-277VAC 50/60Hz
- Solder-LESS LED Board Connections – Vibration Resistant

#### Compliances

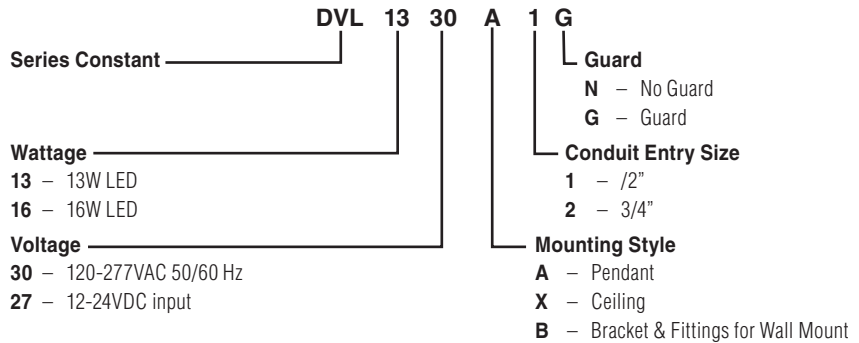
- UL-8750 for LED lighting
- UL 1598 standard for luminaires
- UL-844 Standard for lighting fixtures for hazardous locations, Class I, Division 2; Class II, Division 2; Class III, Division 2
- CSA C22.2 no. 137-M1981 electric luminaries for use in hazardous locations

#### Materials, Weights

- Body and splice box are corrosion resistant copper-free aluminum alloy. Steel guard.
- Baked powder epoxy/polyester finish, electrostatically applied for complete, uniform corrosion protection

DVL 100 SERIES						
MODEL	LAMP	HUB	PENDANT	CEILING	WALL	DELIVERED LUMENS
Type 100 13Watt	Included	1/2"	DVL1330A1G	DVL1330X1G	DVL1330B1G	1144
		3/4"	DVL1330A2G	DVL1330X2G	DVL1330B2G	
Type 100 16Watt	Included	1/2"	DVL1630A1G	DVL1630X1G	DVL1630B1G	1355
		3/4"	DVL1630A2G	DVL1630X2G	DVL1630B2G	

#### DVL Series LED Catalog Logic



ACCESSORIES/COMPONENTS			
BODIES		MOUNTS	
DVL 1330	LED 13W	DVA1	1/2" Pendant Mount
DVL 1327	LED 13W	DVA2	3/4" Pendant Mount
DVL 1630	LED 16W	DVX1	1/2" Ceiling Mount
DVL 1627	LED 16W	DVX2	3/4" Ceiling Mount
		DVB1	1/2" Wall Mount
		DVB2	3/4" Wall Mount
GLOBE		GUARD	
DCGE-10		DAG-100	

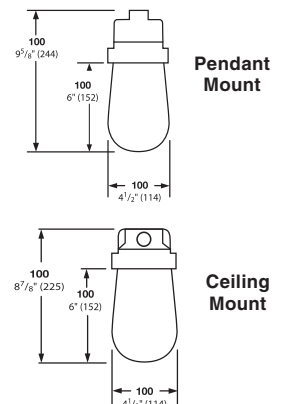
DVL THERMAL RATINGS					
CAT. NO.	AMBIENT	WATTS	C2D1 EFG	C1D2 ABCD	SUPPLY WIRE
DVL1330	40°C	13	T3B	T6	90°C
DVL1630	40°C	16	T3B	T6	90°C
DVL1330	55°C	13	-	T5	90°C
DVL1630	55°C	16	-	T5	90°C

#### DVL Electrical and L70 Ratings

Same as VSL Series - See page L55

#### Dimensions

As 100 Series incandescent



#### Wall Mount overall dimensions

Height = 13.125" (333mm)  
 Outward from wall = 7.4" (188mm)



## FIXTURE HANGERS



FKA



FH



HOOKLOOP

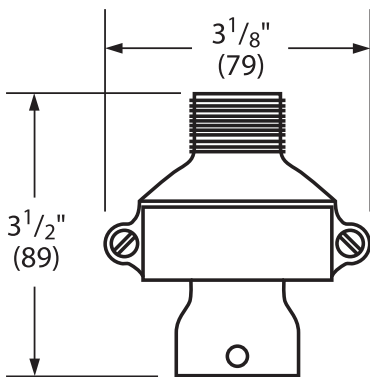
### FEATURES-SPECIFICATIONS

#### FKA

##### Features

- Ball joint permits fixture to hang plumb. Fixture may swing up to 20° from vertical in any direction
- Cast of aluminum alloy (copper-free aluminum; less than 4/10 of 1%)
- Set screw locks fixture stem in place. Cannot accidentally loosen – intended for use with threaded metal conduit
- Joint cannot twist conductor
- Suitable for fixtures up to 125 pounds

FKA		
CATALOG NUMBER	MALE THREAD	FIXTURE STEM SIZE
FKA-22	3/4"	3/4"



For replacement ball only catalog number 00890545



Listed - File E27731



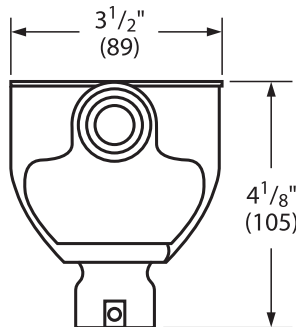
Certified - File LR11851  
See files for details or call Killark.

#### FH

##### Features

- Combination splice box and flexible fixture hanger
- Ball joint permits fixture to hang plumb. Fixture may swing up to 20° from vertical
- Cast of aluminum alloy (copper-free aluminum; less than 4/10 of 1%)
- Set screw locks fixture stem in place – intended for use with threaded metal conduit
- Joint cannot twist conductors
- Cover may be removed for easy wiring – 11 cu. inches
- Mounts directly to metal conduit
- Suitable for fixtures up to 125 pounds

FH			
TWO HUBS	THREE HUBS	CONDUIT SIZE	FIXTURE STEM SIZE
FEED THRU	T		
FHC-21	FHT-21	3/4"	1/2"
FHC-22	FHT-22	3/4"	3/4"



For replacement ball only catalog number 00890545



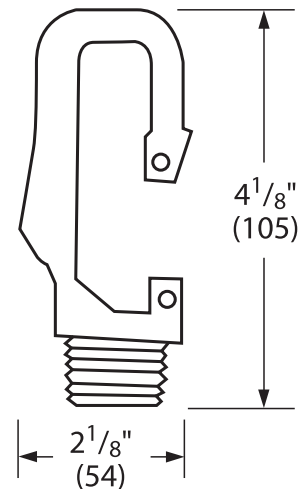
Listed - File E27731

#### HOOKLOOP

##### Features

- Pendant fixture hanger consists of a "HOOK" and safety bar which allows conversion to a "LOOP" configuration as necessary
- 3/4" male thread
- Maximum load 125 pounds

HOOKLOOP
CATALOG NUMBER
HOOKLOOP





# LIGHTING

FH/VX SERIES



## FIXTURE HANGERS

FH

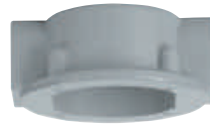


Hook

V Hanger Boxes



VGA



VGC



VGH



VGX

Covers



Flexible Hanger Covers



Hub Covers  
(for Rigid Mounting)

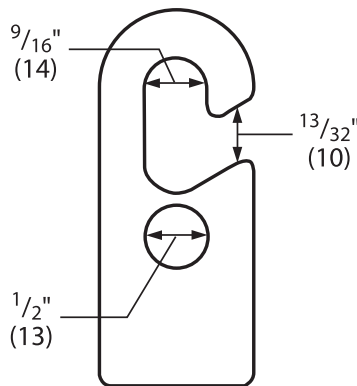
### FEATURES-SPECIFICATIONS

#### FH HOOK

##### Features

- Economical hanger for pendant fixtures
- Fixtures may absorb minor bumps and vibration through free swinging action
- Hub provided with a set screw to pre-vent accidental loosening of fixture stem
- A 1/2 inch hole in body is for flexible cable. Cord may be assembled with plug for quick removal of fixtures
- Cast of aluminum alloy (copper-free—less than 4/10 of 1%)
- FH supports up to 125 pounds

FH HOOK, LOOP		
CATALOG NUMBER	DESCRIPTION	FIXTURE STEM SIZE
FH-2	Hook	3/4"



UL LISTED - File E27731 or E3397

See files for details or call Killark

#### V SERIES

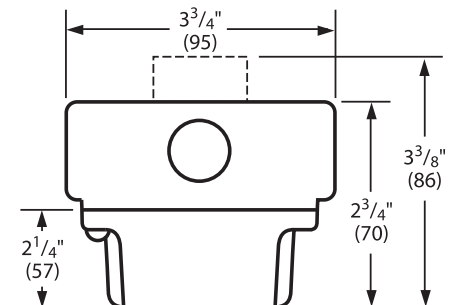
##### Features

- Flexible fixture hanger for threaded fixture stem. +120° from vertical
- Enclosed and gasketed, suitable for wet locations
- Permits angular displacement of fixture without twisting wires
- Cushioned—absorbs shock and vibration. Internal strap assures ground continuity
- Combines splice box and hanger in one unit. Splice box available in four configurations
- Cast of corrosion resistant aluminum alloy (copper-free—less than 4/10 of 1%)
- Supports up to 125 pounds

UL LISTED - File E27731 or E3397

FLEXIBLE HANGERS, V SERIES ENCLOSED AND GASKETED			
CATALOG NUMBER		HUB SIZE	FIXTURE STEM SIZE
HANGER W/SPLICE BOX	SPLICE BOX ONLY		
VPFHA-12	VGA-1	1/2"	3/4"
VPFHA-22	VGA-2	3/4"	3/4"
VPFHC-12	VGC-1	1/2"	3/4"
VPFHC-22	VGC-2	3/4"	3/4"
VPFHH-12	VGH-1	1/2"	3/4"
VPFHH-22	VGH-2	3/4"	3/4"
VPFHX-12	VGX-1	1/2"	3/4"
VPFHX-22	VGX-2	3/4"	3/4"

FIXTURE HANGERS ONLY		
CATALOG NUMBER	DESCRIPTION	FIXTURE STEM SIZE
VPFH-2	Flexible hanger cover, maximum load 125 Lbs.	3/4"
VG-2	Hub cover for rigid mounting	3/4"



Flexible cover with box, dotted line is VGA pendant



FIXTURE HANGERS



HXB



XFH



EKJ

FEATURES-SPECIFICATIONS

HXB

Class I, Div. 1 & 2, Groups C,D  
 Class I, Zones 1 & 2, Groups IIB, IIA  
 Class II, Div. 1 & 2, Groups E,F,G  
 Class III

Features

- Fixture hanger for hazardous locations combining splice box and hanger
- Set screws in female hub prevents accidental loosening of fixture stem; set screws in hub cover lock cover to the splice box
- Four hubs in "X" configuration up to 3/4"
- Flange mounting ring cast as integral part of box
- Splice box wiring hole with cover for access to box interior
- Cast of corrosion resistant aluminum alloy (copper-free aluminum; less than 4/10 of 1%)
- Supports to 125 pounds; vol. 16 cu."

UL LISTED - File E10514  
 SP Certified - File LR11716

XFH

Class I, Div. 1 & 2, Groups C,D  
 Class I, Zones 1 & 2, Groups IIB, IIA  
 Class II, Div. 1 & 2, Groups E,F,G  
 Class III

Features

- Fixture hanger for hazardous locations combining splice box and hanger
- Set screws in female hub prevents accidental loosening of fixture
- Straight through conduit hubs for through feed. 20 cu"
- Mounting lugs are standard
- Cast of corrosion resistant aluminum alloy (copper-free aluminum; less than 4/10 of 1%)
- Supports to 125 pounds

UL LISTED - File E10514  
 SP Certified - File LR11716

XFH SPLICE BOX AND HANGER		
CATALOG NUMBER	CONDUIT HUB SIZE	FIXTURE STEM SIZE
XFH-21	3/4"	1/2"
XFH-22	3/4"	3/4"

EKJ

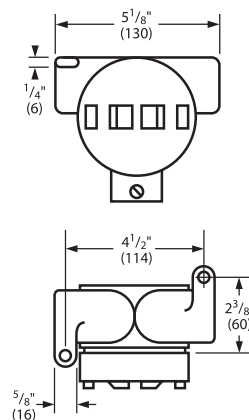
Class I, Div. 1 & 2, Groups A,B,C,D  
 Class I, Zones 1 & 2, Groups IIC, IIB, IIA  
 Class II, Div. 1 & 2, Groups E,F,G  
 Class III

Features

- Fixture pendant hanger for hazardous locations
- Permits free swing and plumb hang
- Set screws in each hub prevents accidental loosening of fixture
- Constructed of seamless bronze hose with brass outer braid. Asphaltum impregnated jute inner insulates and protects wire from abrasion. Brass female end fittings are supplied with short nipples
- Electrical ground continuity without bonding jumper
- Suitable for wet locations as well as hazardous locations
- Flexible lengths 4 to 18 inches
- Supports to 125 pounds

UL LISTED - File E10514  
 SP Certified - File LR11716

HXB SPLICE BOX AND HANGER		
CATALOG NUMBER	CONDUIT HUB SIZE	FIXTURE STEM SIZE
HXB-11	1/2"	1/2"
HXB-12	1/2"	3/4"
HXB-21	3/4"	1/2"
HXB-22	3/4"	3/4"
HXBC	Blank Cover	
HIC-SILVER	Replacement Wiring Plug	



EKJ FLEXIBLE PENDANT HANGER *		
CATALOG NUMBER	CONDUIT HUB SIZE	FIXTURE STEM SIZE
EKJ-14	1/2"	4"
EKJ-24	3/4"	4"
EKJ-16	1/2"	6"
EKJ-26	3/4"	6"
EKJ-18	1/2"	8"
EKJ-28	3/4"	8"
EKJ-110	1/2"	10"
EKJ-210	3/4"	10"
EKJ-112	1/2"	12"
EKJ-212	3/4"	12"
EKJ-115	1/2"	15"
EKJ-215	3/4"	15"
EKJ-118	1/2"	18"
EKJ-218	3/4"	18"



# LIGHTING

## FIXTURE HANGERS



JL



JAL



ENY Pendant Seal

### FEATURES-SPECIFICATIONS

#### JL/JAL

Class I, Div. 1 & 2, Groups C,D  
 Class I, Zones 1 & 2, Group IIB  
 Class II, Div. 1 & 2, Groups E,F,G  
 Class III

#### Features

- Splice box and hub cover for mounting pendant fixtures in hazardous locations
- Conduit openings in two configurations

- Flange type cover. Set screw in hub prevents accidental loosening of fixture stem
- Integral lugs for mounting box to ceiling
- Cast of corrosion resistant aluminum alloy (copper-free aluminum; less than 4/10 of 1%)
- Supports up to 125 pounds

UL LISTED - File E10514


SR Certified - File LR11716

#### ENY PENDANT SEALS

Class I, Div. 1 & 2, Groups A,B,C,D  
 Class I, Zones 1 & 2, Groups IIC,IIB,IIA  
 Class II, Div. 1 & 2, Groups E,F,G  
 Class III

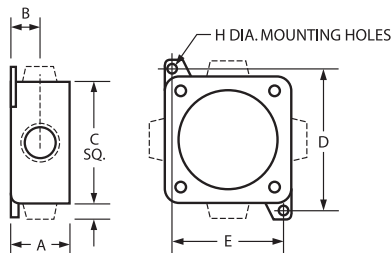
#### Features

- ENY Pendant Seals are designed for hazardous locations and meet code requirements for a safety set-screw when hanging fixtures. Common applications are for Class I Division I Group B or Class I Zone 2 Ex nR restricted breathing fixtures
- Cast of corrosion resistant aluminum alloy (copper-free aluminum; less than 4/10 of 1%)
- Supports up to 125 pounds

JL/JAL SPlice BOX AND HUB COVER FIXTURE HANGER				
CATALOG NUMBER		CONDUIT BOX	COVER	TYPE
JL SERIES W/HUB COVER	JAL SERIES W/HUB COVER			
JLC-11	—	1/2"	1/2"	CS Straight Through
JLC-12	—	1/2"	3/4"	
JLC-21	—	3/4"	1/2"	
JLC-22	—	3/4"	3/4"	
JLX-11	JALX-11	1/2"	1/2"	XF our Hubs 
JLX-12	JALX-12	1/2"	3/4"	
JLX-21	JALX-21	3/4"	1/2"	
JLX-22	JALX-22	3/4"	3/4"	
—	JALX-31	1"	1/2"	
—	JALX-32	1"	3/4"	

CATALOG NUMBER	SIZE
ENY-2SET	3/4"

JL/JAL DIMENSIONS						
SERIES	A	B	C	D	E	F
JL	1-15/16" (49)	11/16" (17)	3-1/4" (95)	4-7/32" (107)	2-3/8" (60)	5/16" (8)
JAL	2-3/8" (60)	15/32" (12)	4-5/8" (117)	5-1/4" (133)	4-1/8" (105)	5/16" (8)





## FLOODLIGHT MOUNTS

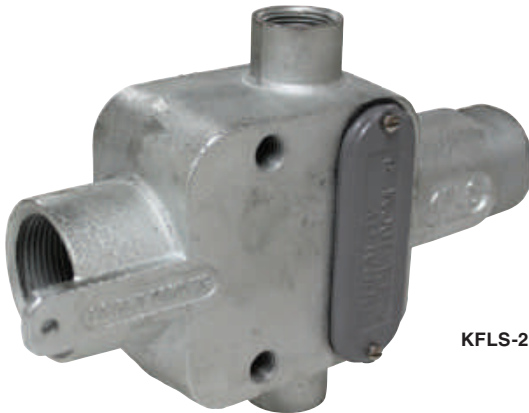
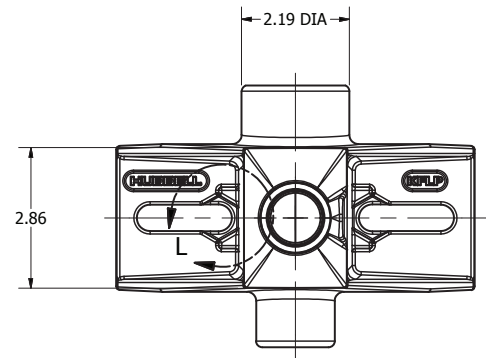
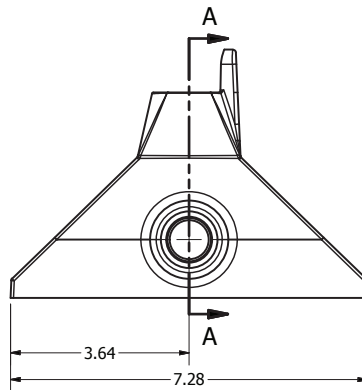


KFLP-23

Class I, Div. 1&2, Groups A, B, C, D  
 Class II, Div. 1&2, Groups E, F, G  
 Class III  
 Suitable for wet locations Types 3, 4 IP66

**Features:**

- Zinc Plated ductile iron
- Stainless Steel Set Screw prevents accidental loosening due to vibration
- Indention in slot to prevent the nut from moving for one handed tightening during installation
- 1" or 3/4" NPT Conduit
- 3/4" NPT Cord Connector or Flexible Coupling
- Splice box wiring hole with cover for wiring access
- Earthquake tab
- Supports 125 lbs.

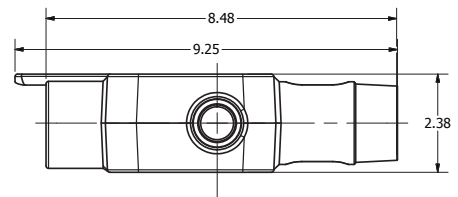
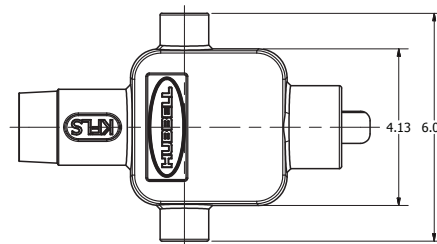


KFLS-25

Suitable for wet locations when used with gasketed covers.  
 Federal Specification W-C-586D/A-A 50563.  
 Suitable for use in hazardous location applications when installed according to NEC Articles 501.10(b), Class I, Div. 2, (Suitable for use in Class I Zone 2 applications) 502.10 and 503.10.

**Features:**

- Zinc Plated ductile iron
- Stainless Steel Set Screw prevents accidental loosening due to vibration
- 1.5", 1" or 3/4" NPT Conduit
- (2) - 3/4" NPT Cord Connector or Flexible Coupling
- Stackable; allowing up-to 4 positions to mount a floodlight
- Splice box wiring hole with cover for wiring access
- Supports 125 lbs.



# LIGHTING



LIGHTING FOR HARSH AND HAZARDOUS ENVIRONMENTS



NVS Series

VM4 Series



EZ Series



EM Series



NV2 Series



KF Series



NWP Series



HFX Series



MB Series



LZ Series



## FLUORESCENT BI-PIN/MEDIUM BASE HID



**Class I, Div. 2, Groups A,B,C,D\***  
**Class I, Zone 2, Groups IIC,IIB,IIA**  
**Class II, Div. 1 & 2, Groups E,F,G\***  
**Class III**  
**Suitable for wet locations**  
**Marine Rated (US Only)**  
**NEMA 3, 4X**

**UL LISTED** - Files E10514 and E91793 (Marine)  
**SP** Certified - File LR11713

### FEATURES-SPECIFICATIONS



#### Applications

CertiLite® MB fixtures are designed for installations where moisture, dirt, dust, corrosion and vibration may be present, or NEMA 3 and 4X areas where wind, water, snow or high ambients can be expected. They can be used in locations made hazardous by the presence of flammable vapors or gases or combustible dusts as defined by the NEC.

Typical applications include manufacturing plants, and certain chemical and petrochemical processing facilities, sewage treatment plants, off-shore and dockside installations, garages and storage facilities.

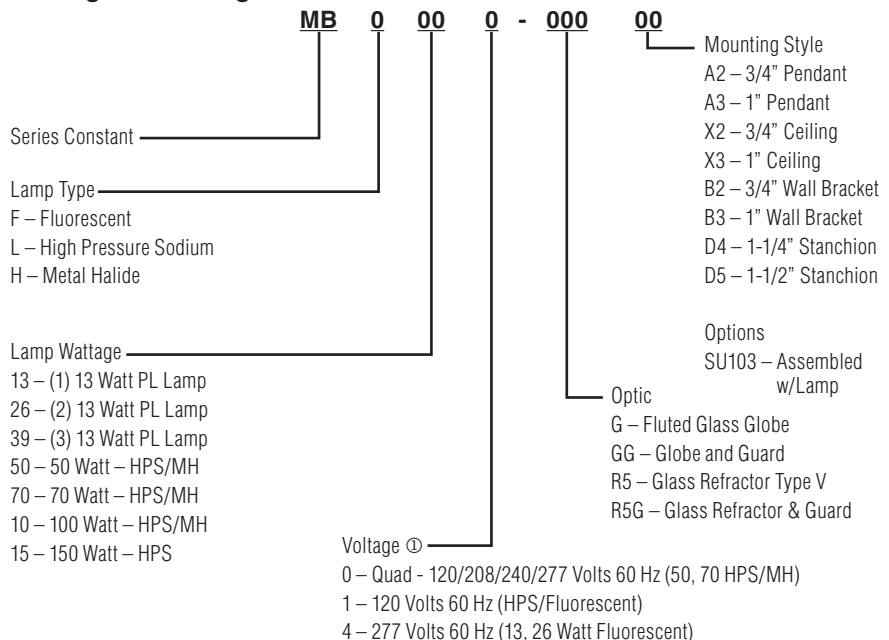
#### Features

- Ballast tank and splice box – corrosion resistant copper-free aluminum alloy
- Baked powder epoxy/polyester finish, electrostatically applied for complete, uniform corrosion protection
- All external hardware – stainless steel
- Guard – copper-free aluminum alloy
- Normally shipped as components for quick delivery
- Refractor guard – steel with corrosion resistant finish
- Reflector – lightweight, corrosion resistant fiberglass reinforced polyester
- Fluorescent models furnished with lamps. Energy efficient instant on white light (2700K). 10,000 hour lamp life
- HID lamp holders are E26 medium base

#### Compliances

- UL-1572 Standard for HID lighting fixtures
- UL-1570 Standard for Fluorescent fixtures
- UL Marine type lighting fixtures (HID models) UL-844 Standard for lighting fixtures for hazardous locations, Class I, Division 2; Class II, Divisions 1 and 2; Class III
- CSA C22.2 no. 137-M1981 electric luminaires for use in hazardous locations
- Enclosed and gasketed
- NEMA 3, 4X

#### Catalog Number Logic



Ⓢ Consult factory for available lamp and voltage combinations.  
 \* See hazardous location application data on page L72 for limitations.

# LIGHTING

MB SERIES



## HIGH PRESSURE SODIUM, 50-150W MEDIUM BASE HID



### FEATURES-SPECIFICATIONS

Pendant



PENDANT 50-150W HIGH PRESSURE SODIUM					
LAMP TYPE	LAMP WATTS/ANSI	HUB SIZE <sup>②</sup>	VOLTAGE 60 HZ <sup>①</sup>	CATALOG NUMBER <sup>②</sup>	
				GLOBE AND GUARD	REFRACTOR AND GUARD
HPS	50 (S68)	3/4"	120	MBL501-GGA2	MBL501-R5GA2
	70 (S62)	3/4"	120	MBL701-GGA2	MBL701-R5GA2
	100 (S54)	3/4"	120	MBL101-GGA2	MBL101-R5GA2
	150 (S55)	3/4"	120	MBL151-GGA2	MBL151-R5GA2

Ceiling



CEILING 50-150W HIGH PRESSURE SODIUM					
LAMP TYPE	LAMP WATTS/ANSI	HUB SIZE <sup>②</sup>	VOLTAGE 60 HZ <sup>①</sup>	CATALOG NUMBER <sup>②</sup>	
				GLOBE AND GUARD	REFRACTOR AND GUARD
HPS	50 (S68)	3/4"	120	MBL501-GGX2	MBL501-R5GX2
	70 (S62)	3/4"	120	MBL701-GGX2	MBL701-R5GX2
	100 (S54)	3/4"	120	MBL101-GGX2	MBL101-R5GX2
	150 (S55)	3/4"	120	MBL151-GGX2	MBL151-R5GX2

Wall



WALL 50-150W HIGH PRESSURE SODIUM					
LAMP TYPE	LAMP WATTS/ANSI	HUB SIZE <sup>②</sup>	VOLTAGE 60 HZ <sup>①</sup>	CATALOG NUMBER <sup>②</sup>	
				GLOBE AND GUARD	REFRACTOR AND GUARD
HPS	50 (S68)	3/4"	120	MBL501-GGB2	MBL501-R5GB2
	70 (S62)	3/4"	120	MBL701-GGB2	MBL701-R5GB2
	100 (S54)	3/4"	120	MBL101-GGB2	MBL101-R5GB2
	150 (S55)	3/4"	120	MBL151-GGB2	MBL151-R5GB2

Stanchion



STANCHION 50-150W HIGH PRESSURE SODIUM					
LAMP TYPE	LAMP WATTS/ANSI	HUB SIZE <sup>②</sup>	VOLTAGE 60 HZ <sup>①</sup>	CATALOG NUMBER <sup>②</sup>	
				GLOBE AND GUARD	REFRACTOR AND GUARD
HPS	50 (S68)	1-1/4"	120	MBL501-GGD4	MBL501-R5GD4
	70 (S62)	1-1/4"	120	MBL701-GGD4	MBL701-R5GD4
	100 (S54)	3/4"	120	MBL101-GGD4	MBL101-R5GD4
	150 (S55)	1-1/4"	120	MBL151-GGD4	MBL151-R5GD4
	150	1-1/4"	120	MBL151-GGD4	MBL151-R5GD4

<sup>①</sup> Catalog numbers shown are 120. Consult factory for other available voltages.

<sup>②</sup> Catalog numbers shown with 3/4" conduit openings (1-1/4" on stanchion mount) and includes globe and guard or IES type V 8" glass refractor and guard. See catalog logic for other possible configurations.

\* See Hazardous Location Application Data on page L72 for limitations.



METAL HALIDE, 50-100W MEDIUM BASE HID



**ORDERING INFORMATION**

Pendant



PENDANT 50-100W METAL HALIDE					
LAMP TYPE	LAMP WATTS/ANSI	HUB SIZE <sup>②</sup>	VOLTAGE 60 HZ <sup>①</sup>	CATALOG NUMBER <sup>②</sup>	
				GLOBE AND GUARD	REFRACTOR AND GUARD
MH <sup>③</sup>	50 (M110)	3/4"	120/208/240/277	MBH500-GGA2	MBH500-R5GA2
	70 (M98)	3/4"	120/208/240/277	MBH700-GGA2	MBH700-R5GA2
	100 (M90)	3/4"	120/208/240/277	MBH100-GGA2	MBH100-R5GA2

Ceiling



CEILING 50-100W METAL HALIDE					
LAMP TYPE	LAMP WATTS/ANSI	HUB SIZE <sup>②</sup>	VOLTAGE 60 HZ <sup>①</sup>	CATALOG NUMBER <sup>②</sup>	
				GLOBE AND GUARD	REFRACTOR AND GUARD
MH <sup>③</sup>	50 (M110)	3/4"	120/208/240/277	MBH500-GGX2	MBH500-R5GX2
	70 (M98)	3/4"	120/208/240/277	MBH700-GGX2	MBH700-R5GX2
	100 (M90)	3/4"	120/208/240/277	MBH100-GGX2	MBH100-R5GX2

Wall



WALL 50-100W METAL HALIDE					
LAMP TYPE	LAMP WATTS/ANSI	HUB SIZE <sup>②</sup>	VOLTAGE 60 HZ <sup>①</sup>	CATALOG NUMBER <sup>②</sup>	
				GLOBE AND GUARD	REFRACTOR AND GUARD
MH <sup>③</sup>	50 (M110)	3/4"	120/208/240/277	MBH500-GGB2	MBH500-R5GB2
	70 (M98)	3/4"	120/208/240/277	MBH700-GGB2	MBH700-R5GB2
	100 (M90)	3/4"	120/208/240/277	MBH100-GGB2	MBH100-R5GB2

Stanchion



STANCHION 50-100W METAL HALIDE					
LAMP TYPE	LAMP WATTS/ANSI	HUB SIZE <sup>②</sup>	VOLTAGE 60 HZ <sup>①</sup>	CATALOG NUMBER <sup>②</sup>	
				GLOBE AND GUARD	REFRACTOR AND GUARD
MH <sup>③</sup>	50 (M110)	1-1/4"	120/208/240/277	MBH500-GGD4	MBH500-R5GD4
	70 (M98)	1-1/4"	120/208/240/277	MBH700-GGD4	MBH700-R5GD4
	100 (M90)	1-1/4"	120/208/240/277	MBH100-GGD4	MBH100-R5GD4

① Metal Halide MB fixtures use quad-volt ballasts.

② Catalog numbers shown with 3/4" conduit openings (1-1/4" on stanchion mount) and include globe and guard or IES type V 8" glass refractor and guard. See catalog logic for other possible configurations.

③ 50, 70, 100 MH Ballasts include a separate ignitor and are PULSE circuits.

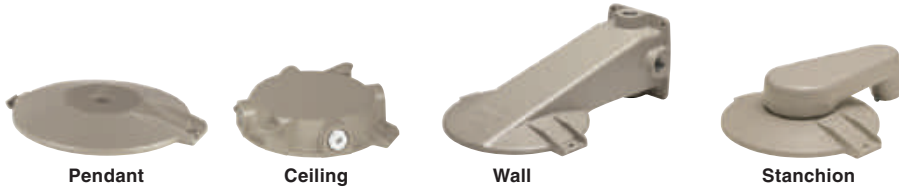
\* See Hazardous Location Application Data on page L72 for limitations.





# LIGHTING

## COMPONENT PARTS/BALLAST DATA



MB MOUNTING BRACKETS				
CATALOG NUMBER				HUB SIZE
PENDANT	CEILING	WALL	STANCHION	
MBA-2	MBX-2	MBB-2	—	3/4
MBA-3	MBX-3	MBB-3	—	1
—	MBX-8*	—	—	M20
—	—	—	MBD-4	1-1/4
—	—	—	MBD-5	1-1/2

\* MBX-8 furnished with 3 non-metallic plugs



MB BALLAST TANK			
LAMP TYPE	LAMP WATTAGE	VOLTAGE 60 HZ	CATALOG NUMBER
FL	13	120	MBF131
	26	120	MBF261
	39	120	MBF391
HPS	50	120	MBL501
	70	120	MBL701
	100	120	MBL101
	150	120	MBL151
MH	50	120/208/240/277	MBH500
	70	120/208/240/277	MBH700
	100	120/208/240/277	MBH100

MB ACCESSORIES	
CATALOG NUMBER	DESCRIPTION
EMRS	MB medium base replacement socket (E26)
EBRS	MB Bi-Pin base replacement socket
MPL13	Replacement lamp for MBF and EBF series
ENY-2SET	3/4 ENY seal with set screw for sealed (Ex nR) pendant installations
ENY-3SET	1 ENY seal with set screw for sealed (Ex nR) pendant installations

MB BALLAST DATA									
LAMP	LAMP TYPE		STARTING AMPS	OPERATING AMPS	OPEN CIRCUIT AMPS	INPUT WATTS MAX	BALLAST CIRCUIT	REGULATIONS	MINIMUM START TEMPERATURE
	WATTS	VOLTS - VAC							
FL <sup>①</sup>	13	120/277	.39/.35	.30/.3	—	16	NPF	—	0° -18°C
HPS	50	120	0.75	0.55	0.9	60	HX-HPF <sup>②</sup>	±5% Line voltage <sup>③</sup>	-40°F -40°C
	70	120	0.85	0.75	1.3	82	HX-HPF <sup>②</sup>	±5% Line voltage <sup>③</sup>	-40°F -40°C
	100	120	1.50	1.05	1.8	115	HX-HPF <sup>②</sup>	±5% Line voltage <sup>③</sup>	-40°F -40°C
	150	120	2.20	1.50	2.35	170	HX-HPF <sup>②</sup>	±5% Line voltage <sup>③</sup>	-40°F -40°C
MH	50	120/208 240/277	.87/.51/.47/.39	.6/.35/.3/.25	1.6/.67/.57/.5	67	HX-HPF <sup>②</sup>	±5% Line voltage <sup>③</sup> ±12% Lamp watts <sup>③</sup>	-20°F -30°C
	70	120/208 240/277	.8/.5/.43/.39	.85/.5/.43/.37	1.7/1.04/.87/.78	95	HX-HPF <sup>②</sup>	±5% Line voltage <sup>③</sup> ±12% Lamp watts <sup>③</sup>	-20°F -30°C
	100	120/208 240/277	1.2/.8/.65/.6	1.15/.66/.58/.5	2.3/1.4/1.15/1.0	129	HX-HPF <sup>②</sup>	±5% Line voltage <sup>③</sup> ±12% Lamp watts <sup>③</sup>	-20°F -30°C

① Per lamp, max available amps @ 120VAC is 0.3A; max @ 277VAC is 0.2A

② Ballasts are High Power Factor 90%+.

③ Lamp watts within ANSI Trapezoid limitations.



## ACCESSORIES/DIMENSIONS

Globe



MBG

Refractor



VZRG1550

Guards



MBAG



VMRWG8

Reflectors



VMPSD17

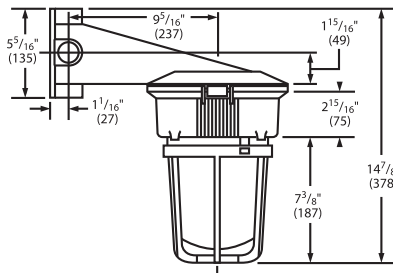
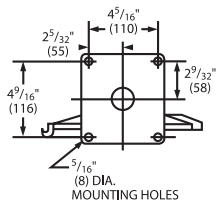
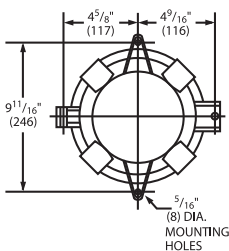
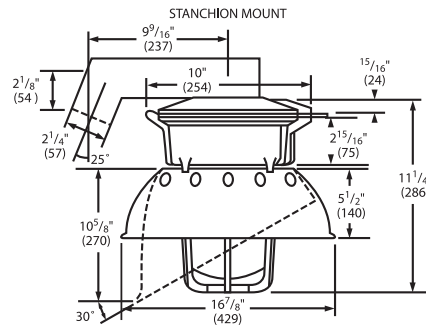
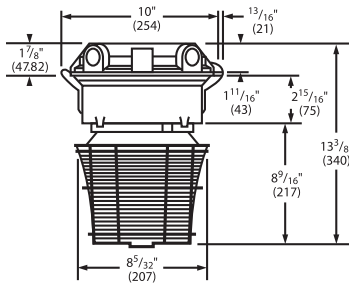


VMPA17

### ORDERING INFORMATION

MB ACCESSORIES	
CATALOG NUMBER	DESCRIPTION
MBG	Heat and impact resistant globe
VZRG1550	(I.E.S. Type V) closed bottom 8 glass refractor
MBAG	Globe guard - Epoxy/polyester painted aluminum
VMRWG8	Refractor guard - plated steel
VMPSD17	Standard dome reflector (fiberglass reinforced polyester)
VMPA17	Angle reflector (fiberglass reinforced polyester)

### Dimensions





APPLICATION DATA

MBF HAZARDOUS LOCATION DATA								
		CLASS I, DIVISION 2 GROUPS A, B, C, D <sup>①</sup> LAMP TEMP, W/GLOBE, GLOBE & REFLECTOR <sup>②</sup> OR 8" GLASS REFRACTOR		CLASS II, DIVISION 1 & 2 <sup>①</sup> MAXIMUM SURFACE TEMPERATURE W/GLOBE, GUARD <sup>③</sup> & REFLECTOR <sup>②</sup> OR 8" GLASS REFRACTOR <sup>④</sup>		CLASS III, DIV. 1 & 2 <sup>①</sup> W/GLOBE, W/GUARD <sup>③</sup> & REFLECTOR <sup>②</sup> OR 8" GLASS REFRACTOR		SUPPLY WIRE SUITABLE FOR °C
LAMP TYPE	LAMPS/ WATTS	RATED AMBIENT °C	UL/CSA TEMP I.D	UL/CSA TEMP I.D.	GROUP	UL/CSA		
PL	13	40	(T3B) 165°C	(T4) 135°C	E, F & G	YES		90
	26 (2x13)	40	(T3B) 165°C	(T4) 135°C	E, F & G	YES		90
	39 (3x13)	25	(T3A) 180°C	(T4) 135°C	E, F & G	YES		90

① Verify temperatures for suitability for intended use.

② Includes both standard dome and angle reflectors.

③ Guard required for Class II, Division 1 and Class III, Division 1 applications.

④ Note: 8 inch glass refractor not CSA certified for Class II, Division 1 and Class III, Divisions 1 installations.

MB HAZARDOUS LOCATION DATA												
LAMP		RATED AMBIENT °C	CLASS I, DIV. 2, GROUPS A, B, C, D <sup>①</sup> LAMP TEMPERATURES			CLASS II, DIV. 1 & 2, GROUPS E, F, G <sup>③</sup> <sup>⑤</sup> MAXIMUM SURFACE TEMPERATURES			CLASS III, DIV. 1 & 2 <sup>③</sup>			SUPPLY WIRE SUITABLE FOR °C
TYPE	WATTAGE		WITHOUT <sup>④</sup> REFLECTOR	WITH <sup>②</sup> REFLECTOR	WITH REFLECTOR	WITHOUT <sup>④</sup> REFLECTOR	WITH <sup>②</sup> REFLECTOR	WITH REFRACTOR	WITHOUT <sup>④</sup> REFLECTOR	WITH <sup>②</sup> REFLECTOR	WITH REFRACTOR	
HPS	50	40	215°C(T2D)	215°C(T2D)	215°C(T2D)	120°C(T4A)	135°C(T4)	120°C(T4A)	YES	YES	YES	75
	50	55	230°C(T2C)	230°C(T2C)	230°C(T2C)	135°C(T4)	160°C(T3C)	135°C(T4)	YES	YES	YES	90
	50	65	230°C(T2C)	230°C(T2C)	230°C(T2C)	160°C(T3C)	160°C(T3C)	160°C(T3C)	YES	YES	YES	90
	70	40	260°C(T2B)	260°C(T2B)	230°C(T2C)	120°C(T4A)	135°C(T4)	120°C(T4A)	YES	YES	YES	75
	100	40	280°C(T2A)	280°C(T2A)	280°C(T2A)	160°C(T3C)	160°C(T3C)	160°C(T3C)	YES	YES	YES	90
	150	40	325°C(T1)	325°C(T1)	325°C(T1)	—	—	160°C(T3C)	NO	NO	YES	110
MH	150	40	325°C(T1)	325°C(T1)	325°C(T1)	180°C(T3A)	200°C(T3)	—	NO	NO	NO	110
	50	40	230°C(T2C)	230°C(T2C)	230°C(T2C)	160°C(T3C)	160°C(T3C)	160°C(T3C)	YES	YES	YES	90
	70	40	230°C(T2C)	230°C(T2C)	230°C(T2C)	160°C(T3C)	160°C(T3C)	160°C(T3C)	YES	YES	YES	90
	100	40	280°C(T2A)	280°C(T2A)	280°C(T2A)	160°C(T3C)	160°C(T3C)	160°C(T3C)	YES	YES	YES	85

① Verify temperatures for suitability for intended use.

② Includes both standard dome and angle reflectors.

③ Guard required for Class II, Division 1 and Class III applications.

④ Based on luminaire with globe and guard only.

⑤ 150 watt HPS—Groups E, F only with or without reflector and Groups E, F and G with refractor.



VQ1F/VQ2F SERIES

# KILLARK

## CERTILITE® COMPACT FLUORESCENT FIXTURES 13-84 WATT



VM1/Pendant  
Globe & Guard



VM2/Ceiling  
Globe & Guard



VM1/Wall  
Globe & Guard



VM2/Stanchion 25°  
Refractor & Guard

Class I, Div. 2, Groups A,B,C,D  
Class I, Zone 2, Groups IIC, IIB, IIA  
Class II, Div. 1 & 2, Groups E,F,G  
Class III  
Suitable for wet locations  
NEMA 3, 4, 4X  
IP66

CSA US Certified - File LR11713

NR Restricted Breathing Option  
Class I, Zone 2 AEx nAnR  
Class I, Zone 2 Ex nR



FEATURES-SPECIFICATIONS



Applications:

CertiLite® VQ1F/VQ2F Series are designed for installations where moisture, dirt, dust, corrosion and vibration may be present, or NEMA 3 and 4X areas and where wind, water, snow or high ambients can be expected. They can be used in locations made hazardous by the presence of flammable vapors and gases or combustible dusts, as defined by the NEC®. Typical applications include manufacturing plants and certain chemical and petrochemical processing facilities, sewage treatment plants, off-shore and dockside installations, garages and warehouses.

Standard Materials:

- Ballast tank and splice box – corrosion resistant copper-free aluminum alloy with baked powder epoxy/polyester finish, electrostatically applied for complete, uniform corrosion protection.
- All external hardware – 316 stainless steel.
- Guards – Painted copper-free aluminum alloy or 316SS for 7-3/4" glass optics and Enclosed Reflectors.
- Reflectors – lightweight, corrosion resistant fiberglass reinforced polyester, or copper-free aluminum.

Features:


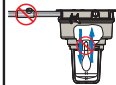






- "World Voltage" Ballast 120 through 277 VAC 50/60Hz
- Six mounting splice box types: Pendant, Ceiling, Wall bracket, Cone Top, 25° Angle Stanchion, Straight Stanchion – in a variety of entry sizes, including M20 for the VMX ceiling style.
- Elevated ambients to 55°C 13W–64W
- Two lamp models have 2 ballasts for separate switching or system redundancy

- Normally shipped as components for fast delivery, or may be ordered factory assembled.
- Options for Fuses and Quick Disconnect
- Tank assemblies include quad-pin lamp

Compliances

- UL1598 Standard for luminaires
- UL1598A Marine type luminaire
- UL-844 Standard for lighting fixtures for hazardous locations

- CSA C22.2 no. 137-M1981 electric luminaires for use in hazardous locations
- Enclosed and gasketed
- NEMA 3, 4X IP66
- UL 60079-15 - Electrical apparatus for Explosive Gas Atmospheres with Type of Protection "n" (Restricted Breathing and non-sparking).

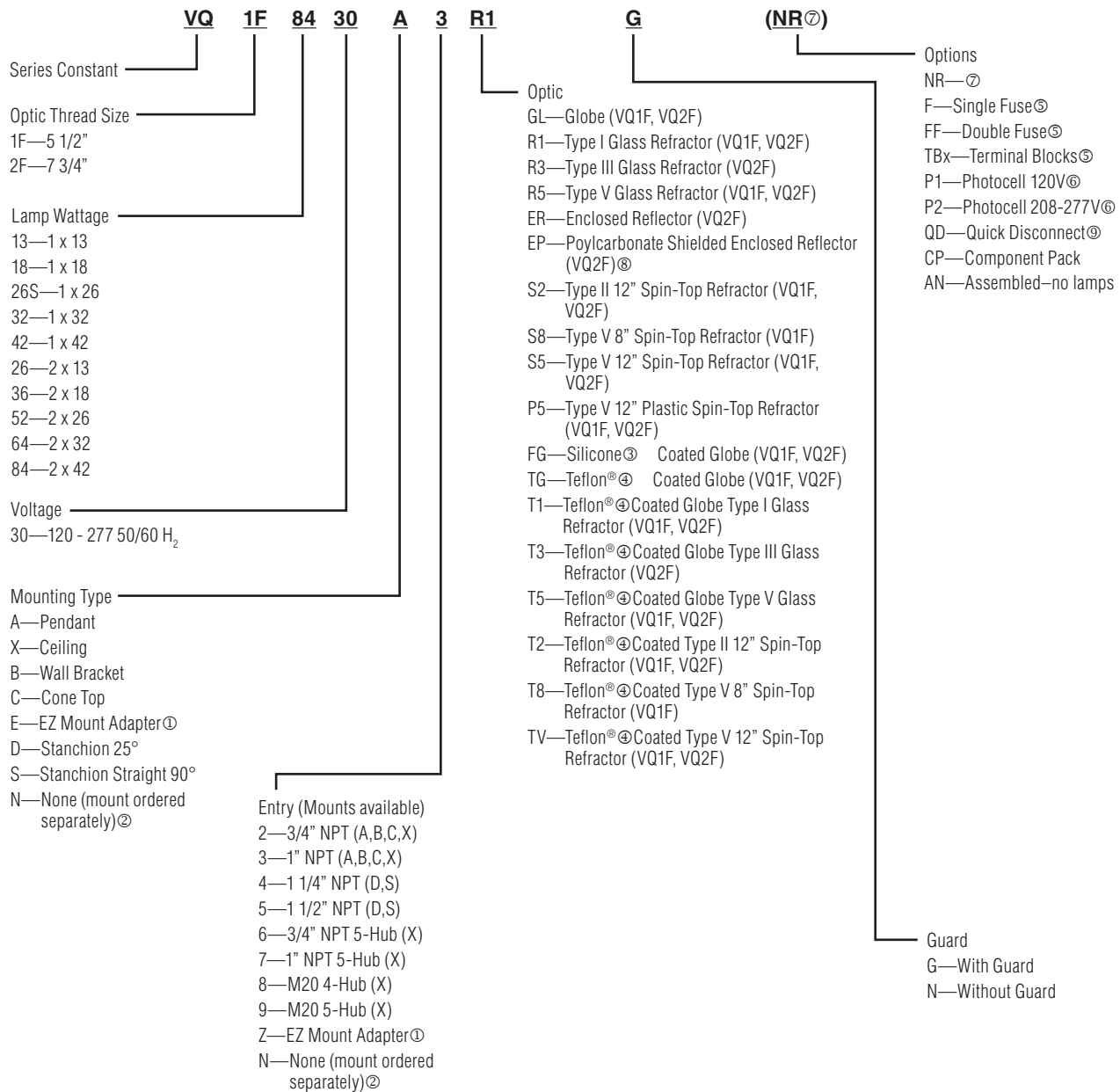
FEATURES		BENEFITS
	Swing-Barrel Nut Patented Tank Mounting System	<ul style="list-style-type: none"> <li>• Stainless-to-Stainless securement</li> <li>• Takes load off during installation                             <ul style="list-style-type: none"> <li>• Uses ordinary tools</li> <li>• Saves time and labor</li> </ul> </li> </ul>
	Sealed Optic Zone 2 AEx nAR Restricted Breathing (suffix NR)	NO External Seals. Lower T-codes, Suitable for Class I Div. 2 Classified areas per the NEC®. See L54 for more info.
	All glass refractors	Compact (5-1/2" thread size, types I & V) Standard (7-3/4", thread size, types I, III, V) Enhances user selection flexibility
	"EZ" mount adapter	Easier Maintenance, saves labor, move fixture from the ladder to the workbench
	Photo controls - Class I Div. 2 / N4X areas	Available as Field or Factory Installed to save energy when light not required
	Earthquake Tab - Built-in attachment point for safety cables	Safety: Secures fixture to structure in case of conduit failure. "3rd hand" accessories for lamp change out. See L83 for more info.
	"FULL CUTOFF" & CUTOFF Optics	For "Dark Sky" Requirements. Helps to minimize offending light pollution. See L86 for more info.
	VMEP40 "Food Optic" VQ2F	Expanded Offering for Food or Grain Handling Applications to minimize contamination. See L85 for more info.

Note: VQ1F dimensions are the same as VM1 and VQ2F are same as VM2.



## CATALOG ORDERING LOGIC

### CertiLite® Catalog Number Logic; 13-84 W Compact Fluorescent Fixtures



① Completes as "EZ", conduit mounting boxes ordered separately.  
 ② NN mount ordered separately.  
 ③ Silicone coated globe for additional impact protection.  
 ④ Teflon® is a registered trademark of DuPont, Inc.  
 ⑤ Fusing not for Marine or Canadian installations.  
 ⑥ Photo cells for Class I, Div. 2 only  
 ⑦ Restricted Breathing.  
 ⑧ Not for use with wall or straight (90°) Stanchion.

⑨ QD = Quick Disconnect. Allows easy tank removal for maintenance. Electrician simply unplugs de-energized ballast from supply circuit.



VQ1F/VQ2F SERIES

# KILLARK

CERTILITE® COMPACT FLUORESCENT FIXTURES



VM1 Pendant  
w/ 5-1/2"  
Globe & Guard



VM2 Pendant  
w/ 7-3/4"  
Globe & Guard



VM1 Ceiling  
w/ 5-1/2"  
Globe & Guard



VM2 Ceiling  
w/ 7-3/4"  
Globe & Guard

VQ1F-VQ2F 13-84 WATT COMPACT FLUORESCENT - PENDANT										
DESCRIPTION				5-1/2" OPTIC THREAD SIZE			7-3/4" OPTIC THREAD SIZE			
WATTS	LAMPS INCL.	HUB SIZE	VOLTAGE	GLOBE & GUARD	TYPE I GLASS REFRACTOR & GUARD	TYPE V GLASS REFRACTOR & GUARD	GLOBE & GUARD	TYPE I GLASS REFRACTOR & GUARD	TYPE V GLASS REFRACTOR & GUARD	12" SPIN-TOP TYPE V REFRACTOR & GUARD
13	1X13	3/4"	120VAC THROUGH 227VAC 50/60Hz	VQ1F1330A2GLG	VQ1F1330A2R1G	VQ1F1330A2R5G	VQ2F1330A2GLG	VQ2F1330A2R1G	VQ2F1330A2R5G	VQ2F1330A2S5G
18	1X18	3/4"		VQ1F1830A2GLG	VQ1F1830A2R1G	VQ1F1830A2R5G	VQ2F1830A2GLG	VQ2F1830A2R1G	VQ2F1830A2R5G	VQ2F1830A2S5G
26	1X26	3/4"		VQ1F26S30A2GLG	VQ1F26S30A2R1G	VQ1F26S30A2R5G	VQ2F26S30A2GLG	VQ2F26S30A2R1G	VQ2F26S30A2R5G	VQ2F26S30A2S5G
32	1X32	3/4"		VQ1F3230A2GLG	VQ1F3230A2R1G	VQ1F3230A2R5G	VQ2F3230A2GLG	VQ2F3230A2R1G	VQ2F3230A2R5G	VQ2F3230A2S5G
42	1X42	3/4"		VQ1F4230A2GLG	VQ1F4230A2R1G	VQ1F4230A2R5G	VQ2F4230A2GLG	VQ2F4230A2R1G	VQ2F4230A2R5G	VQ2F4230A2S5G
26	2X13	3/4"		VQ1F2630A2GLG	VQ1F2630A2R1G	VQ1F2630A2R5G	VQ2F2630A2GLG	VQ2F2630A2R1G	VQ2F2630A2R5G	VQ2F2630A2S5G
36	2X18	3/4"		VQ1F3630A2GLG	VQ1F3630A2R1G	VQ1F3630A2R5G	VQ2F3630A2GLG	VQ2F3630A2R1G	VQ2F3630A2R5G	VQ2F3630A2S5G
52	2X26	3/4"		VQ1F5230A2GLG	VQ1F5230A2R1G	VQ1F5230A2R5G	VQ2F5230A2GLG	VQ2F5230A2R1G	VQ2F5230A2R5G	VQ2F5230A2S5G
64	2X32	3/4"		VQ1F6430A2GLG	VQ1F6430A2R1G	VQ1F6430A2R5G	VQ2F6430A2GLG	VQ2F6430A2R1G	VQ2F6430A2R5G	VQ2F6430A2S5G
84	2X42	3/4"		VQ1F8430A2GLG	VQ1F8430A2R1G	VQ1F8430A2R5G	VQ2F8430A2GLG	VQ2F8430A2R1G	VQ2F8430A2R5G	VQ2F8430A2S5G

VQ1F-VQ2F 13-84 WATT COMPACT FLUORESCENT - CEILING										
DESCRIPTION				5-1/2" OPTIC THREAD SIZE			7-3/4" OPTIC THREAD SIZE			
WATTS	LAMPS INCL.	HUB SIZE	VOLTAGE	GLOBE & GUARD	TYPE I GLASS REFRACTOR & GUARD	TYPE V GLASS REFRACTOR & GUARD	GLOBE & GUARD	TYPE I GLASS REFRACTOR & GUARD	TYPE V GLASS REFRACTOR & GUARD	12" SPIN-TOP TYPE V REFRACTOR & GUARD
13	1X13	3/4"	120VAC THROUGH 227VAC 50/60Hz	VQ1F1330X2GLG	VQ1F1330X2R1G	VQ1F1330X2R5G	VQ2F1330X2GLG	VQ2F1330X2R1G	VQ2F1330X2R5G	VQ2F1330X2S5G
18	1X18	3/4"		VQ1F1830X2GLG	VQ1F1830X2R1G	VQ1F1830X2R5G	VQ2F1830X2GLG	VQ2F1830X2R1G	VQ2F1830X2R5G	VQ2F1830X2S5G
26	1X26	3/4"		VQ1F26S30X2GLG	VQ1F26S30X2R1G	VQ1F26S30X2R5G	VQ2F26S30X2GLG	VQ2F26S30X2R1G	VQ2F26S30X2R5G	VQ2F26S30X2S5G
32	1X32	3/4"		VQ1F3230X2GLG	VQ1F3230X2R1G	VQ1F3230X2R5G	VQ2F3230X2GLG	VQ2F3230X2R1G	VQ2F3230X2R5G	VQ2F3230X2S5G
42	1X42	3/4"		VQ1F4230X2GLG	VQ1F4230X2R1G	VQ1F4230X2R5G	VQ2F4230X2GLG	VQ2F4230X2R1G	VQ2F4230X2R5G	VQ2F4230X2S5G
26	2X13	3/4"		VQ1F2630X2GLG	VQ1F2630X2R1G	VQ1F2630X2R5G	VQ2F2630X2GLG	VQ2F2630X2R1G	VQ2F2630X2R5G	VQ2F2630X2S5G
36	2X18	3/4"		VQ1F3630X2GLG	VQ1F3630X2R1G	VQ1F3630X2R5G	VQ2F3630X2GLG	VQ2F3630X2R1G	VQ2F3630X2R5G	VQ2F3630X2S5G
52	2X26	3/4"		VQ1F5230X2GLG	VQ1F5230X2R1G	VQ1F5230X2R5G	VQ2F5230X2GLG	VQ2F5230X2R1G	VQ2F5230X2R5G	VQ2F5230X2S5G
64	2X32	3/4"		VQ1F6430X2GLG	VQ1F6430X2R1G	VQ1F6430X2R5G	VQ2F6430X2GLG	VQ2F6430X2R1G	VQ2F6430X2R5G	VQ2F6430X2S5G
84	2X42	3/4"		VQ1F8430X2GLG	VQ1F8430X2R1G	VQ1F8430X2R5G	VQ2F8430X2GLG	VQ2F8430X2R1G	VQ2F8430X2R5G	VQ2F8430X2S5G

# LIGHTING

VQ1F/VQ2F SERIES



## CERTILITE® COMPACT FLUORESCENT FIXTURES



VM1 Wall  
w/ 5-1/2"  
Globe & Guard



VM2 Wall  
w/ 7-3/4"  
Globe & Guard



VM1 EZ Adapter  
w/ 5-1/2"  
Globe & Guard



VM2 EZ Adapter  
w/ 7-3/4"  
Globe & Guard

VQ1F-VQ2F 13-84 WATT COMPACT FLUORESCENT - WALL											
DESCRIPTION				5-1/2" OPTIC THREAD SIZE			7-3/4" OPTIC THREAD SIZE				
WATTS	LAMPS INCL.	HUB SIZE	VOLTAGE	GLOBE & GUARD	TYPE I GLASS REFRACTOR & GUARD	TYPE V GLASS REFRACTOR & GUARD	GLOBE & GUARD	TYPE I GLASS REFRACTOR & GUARD	TYPE V GLASS REFRACTOR & GUARD	12" SPIN-TOP TYPE V REFRACTOR & GUARD	
13	1X13	3/4"	120VAC THROUGH 227VAC 50/60Hz	VQ1F1330B2GLG	VQ1F1330B2R1G	VQ1F1330B2R5G	VQ2F1330B2GLG	VQ2F1330B2R1G	VQ2F1330B2R5G	VQ2F1330B2S5G	
18	1X18	3/4"		VQ1F1830B2GLG	VQ1F1830B2R1G	VQ1F1830B2R5G	VQ2F1830B2GLG	VQ2F1830B2R1G	VQ2F1830B2R5G	VQ2F1830B2S5G	
26	1X26	3/4"		VQ1F26S30B2GLG	VQ1F26S30B2R1G	VQ1F26S30B2R5G	VQ2F26S30B2GLG	VQ2F26S30B2R1G	VQ2F26S30B2R5G	VQ2F26S30B2S5G	
32	1X32	3/4"		VQ1F3230B2GLG	VQ1F3230B2R1G	VQ1F3230B2R5G	VQ2F3230B2GLG	VQ2F3230B2R1G	VQ2F3230B2R5G	VQ2F3230B2S5G	
42	1X42	3/4"		VQ1F4230B2GLG	VQ1F4230B2R1G	VQ1F4230B2R5G	VQ2F4230B2GLG	VQ2F4230B2R1G	VQ2F4230B2R5G	VQ2F4230B2S5G	
26	2X13	3/4"		VQ1F2630B2GLG	VQ1F2630B2R1G	VQ1F2630B2R5G	VQ2F2630B2GLG	VQ2F2630B2R1G	VQ2F2630B2R5G	VQ2F2630B2S5G	
36	2X18	3/4"		VQ1F3630B2GLG	VQ1F3630B2R1G	VQ1F3630B2R5G	VQ2F3630B2GLG	VQ2F3630B2R1G	VQ2F3630B2R5G	VQ2F3630B2S5G	
52	2X26	3/4"		VQ1F5230B2GLG	VQ1F5230B2R1G	VQ1F5230B2R5G	VQ2F5230B2GLG	VQ2F5230B2R1G	VQ2F5230B2R5G	VQ2F5230B2S5G	
64	2X32	3/4"		VQ1F6430B2GLG	VQ1F6430B2R1G	VQ1F6430B2R5G	VQ2F6430B2GLG	VQ2F6430B2R1G	VQ2F6430B2R5G	VQ2F6430B2S5G	
84	2X42	3/4"		VQ1F8430B2GLG	VQ1F8430B2R1G	VQ1F8430B2R5G	VQ2F8430B2GLG	VQ2F8430B2R1G	VQ2F8430B2R5G	VQ2F8430B2S5G	

VQ1F-VQ2F 13-84 WATT COMPACT FLUORESCENT - EZ ADAPTER											
DESCRIPTION				5-1/2" OPTIC THREAD SIZE			7-3/4" OPTIC THREAD SIZE				
WATTS	LAMPS INCL.	HUB SIZE	VOLTAGE	GLOBE & GUARD	TYPE I GLASS REFRACTOR & GUARD	TYPE V GLASS REFRACTOR & GUARD	GLOBE & GUARD	TYPE I GLASS REFRACTOR & GUARD	TYPE V GLASS REFRACTOR & GUARD	12" SPIN-TOP TYPE V REFRACTOR & GUARD	
13	1X13	⓪	120VAC THROUGH 227VAC 50/60Hz	VQ1F1330EZGLG	VQ1F1330EZR1G	VQ1F1330EZR5G	VQ2F1330EZGLG	VQ2F1330EZR1G	VQ2F1330EZR5G	VQ2F1330EZS5G	
18	1X18	⓪		VQ1F1830EZGLG	VQ1F1830EZR1G	VQ1F1830EZR5G	VQ2F1830EZGLG	VQ2F1830EZR1G	VQ2F1830EZR5G	VQ2F1830EZS5G	
26	1X26	⓪		VQ1F26S30EZGLG	VQ1F26S30EZR1G	VQ1F26S30EZR5G	VQ2F26S30EZGLG	VQ2F26S30EZR1G	VQ2F26S30EZR5G	VQ2F26S30EZS5G	
32	1X32	⓪		VQ1F3230EZGLG	VQ1F3230EZR1G	VQ1F3230EZR5G	VQ2F3230EZGLG	VQ2F3230EZR1G	VQ2F3230EZR5G	VQ2F3230EZS5G	
42	1X42	⓪		VQ1F4230EZGLG	VQ1F4230EZR1G	VQ1F4230EZR5G	VQ2F4230EZGLG	VQ2F4230EZR1G	VQ2F4230EZR5G	VQ2F4230EZS5G	
26	2X13	⓪		VQ1F2630EZGLG	VQ1F2630EZR1G	VQ1F2630EZR5G	VQ2F2630EZGLG	VQ2F2630EZR1G	VQ2F2630EZR5G	VQ2F2630EZS5G	
36	2X18	⓪		VQ1F3630EZGLG	VQ1F3630EZR1G	VQ1F3630EZR5G	VQ2F3630EZGLG	VQ2F3630EZR1G	VQ2F3630EZR5G	VQ2F3630EZS5G	
52	2X26	⓪		VQ1F5230EZGLG	VQ1F5230EZR1G	VQ1F5230EZR5G	VQ2F5230EZGLG	VQ2F5230EZR1G	VQ2F5230EZR5G	VQ2F5230EZS5G	
64	2X32	⓪		VQ1F6430EZGLG	VQ1F6430EZR1G	VQ1F6430EZR5G	VQ2F6430EZGLG	VQ2F6430EZR1G	VQ2F6430EZR5G	VQ2F6430EZS5G	
84	2X42	⓪		VQ1F8430EZGLG	VQ1F8430EZR1G	VQ1F8430EZR5G	VQ2F8430EZGLG	VQ2F8430EZR1G	VQ2F8430EZR5G	VQ2F8430EZS5G	

⓪ VMEZA tank adapters "classified" as an assembly for use between VM type tanks and EZ mounts. Order EZ mounts separately.



VQ1F/VQ2F SERIES

# KILLARK

CERTILITE® COMPACT FLUORESCENT FIXTURES



VM1 Stanchion 25°  
w/5-1/2"  
Globe & Guard



VM1 Stanchion  
Straight  
w/5-1/2"  
Globe & Guard



VM2 Stanchion 25°  
w/7-3/4"  
Globe & Guard



VM2 Stanchion  
Straight  
w/7-3/4"  
Globe & Guard

VQ1F-VQ2 F13-84 WATT COMPACT FLUORESCENT - STANCHION 25° ANGLE											
DESCRIPTION				5-1/2" OPTIC THREAD SIZE			7-3/4" OPTIC THREAD SIZE				
WATTS	LAMPS INCL.	HUB SIZE	VOLTAGE	GLOBE & GUARD	TYPE I GLASS REFRACTOR & GUARD	TYPE V GLASS REFRACTOR & GUARD	GLOBE & GUARD	TYPE I GLASS REFRACTOR & GUARD	TYPE V GLASS REFRACTOR & GUARD	12" SPIN-TOP TYPE V REFRACTOR & GUARD	
13	1X13	3/4"	120VAC THROUGH 227VAC 50/60Hz	VQ1F1330D5GLG	VQ1F1330D5R1G	VQ1F1330D5R5G	VQ2F1330D5GLG	VQ2F1330D5R1G	VQ2F1330D5R5G	VQ2F1330D5S5G	
18	1X18	3/4"		VQ1F1830D5GLG	VQ1F1830D5R1G	VQ1F1830D5R5G	VQ2F1830D5GLG	VQ2F1830D5R1G	VQ2F1830D5R5G	VQ2F1830D5S5G	
26	1X26	3/4"		VQ1F26S30D5GLG	VQ1F26S30D5R1G	VQ1F26S30D5R5G	VQ2F26S30D5GLG	VQ2F26S30D5R1G	VQ2F26S30D5R5G	VQ2F26S30D5S5G	
32	1X32	3/4"		VQ1F3230D5GLG	VQ1F3230D5R1G	VQ1F3230D5R5G	VQ2F3230D5GLG	VQ2F3230D5R1G	VQ2F3230D5R5G	V12F3230D5S5G	
42	1X42	3/4"		VQ1F4230D5GLG	VQ1F4230D5R1G	VQ1F4230D5R5G	VQ2F4230D5GLG	VQ2F4230D5R1G	VQ2F4230D5R5G	VQ2F4230D5S5G	
26	2X13	3/4"		VQ1F2630D5GLG	VQ1F2630D5R1G	VQ1F2630D5R5G	VQ2F2630D5GLG	VQ2F2630D5R1G	VQ2F2630D5R5G	VQ2F2630D5S5G	
36	2X18	3/4"		VQ1F3630D5GLG	VQ1F3630D5R1G	VQ1F3630D5R5G	VQ2F3630D5GLG	VQ2F3630D5R1G	VQ2F3630D5R5G	VQ2F3630D5S5G	
52	2X26	3/4"		VQ1F5230D5GLG	VQ1F5230D5R1G	VQ1F5230D5R5G	VQ2F5230D5GLG	VQ2F5230D5R1G	VQ2F5230D5R5G	VQ2F5230D5S5G	
64	2X32	3/4"		VQ1F6430D5GLG	VQ1F6430D5R1G	VQ1F6430D5R5G	VQ2F6430D5GLG	VQ2F6430D5R1G	VQ2F6430D5R5G	VQ2F6430D5S5G	
84	2X42	3/4"		VQ1F8430D5GLG	VQ1F8430D5R1G	VQ1F8430D5R5G	VQ2F8430D5GLG	VQ2F8430D5R1G	VQ2F8430D5R5G	VQ2F8430D5S5G	

VQ1F-VQ2F 13-84 WATT COMPACT FLUORESCENT - STANCHION STRAIGHT											
DESCRIPTION				5-1/2" OPTIC THREAD SIZE			7-3/4" OPTIC THREAD SIZE				
WATTS	LAMPS INCL.	HUB SIZE	VOLTAGE	GLOBE & GUARD	TYPE I GLASS REFRACTOR & GUARD	TYPE V GLASS REFRACTOR & GUARD	GLOBE & GUARD	TYPE I GLASS REFRACTOR & GUARD	TYPE V GLASS REFRACTOR & GUARD	12" SPIN-TOP TYPE V REFRACTOR & GUARD	
13	1X13	1-1/2"	120VAC THROUGH 227VAC 50/60Hz	VQ1F1330S5GLG	VQ1F1330S5R1G	VQ1F1330S5R5G	VQ2F1330S5GLG	VQ2F1330S5R1G	VQ2F1330S5R5G	VQ2F1330S5S5G	
18	1X18	1-1/2"		VQ1F1830S5GLG	VQ1F1830S5R1G	VQ1F1830S5R5G	VQ2F1830S5GLG	VQ2F1830S5R1G	VQ2F1830S5R5G	VQ2F1830S5S5G	
26	1X26	1-1/2"		VQ1F26S30S5GLG	VQ1F26S30S5R1G	VQ1F26S30S5R5G	VQ2F26S30S5GLG	VQ2F26S30S5R1G	VQ2F26S30S5R5G	VQ2F26S30S5S5G	
32	1X32	1-1/2"		VQ1F3230S5GLG	VQ1F3230S5R1G	VQ1F3230S5R5G	VQ2F3230S5GLG	VQ2F3230S5R1G	VQ2F3230S5R5G	VQ2F3230S5S5G	
42	1X42	1-1/2"		VQ1F4230S5GLG	VQ1F4230S5R1G	VQ1F4230S5R5G	VQ2F4230S5GLG	VQ2F4230S5R1G	VQ2F4230S5R5G	VQ2F4230S5S5G	
26	2X13	1-1/2"		VQ1F2630S5GLG	VQ1F2630S5R1G	VQ1F2630S5R5G	VQ2F2630S5GLG	VQ2F2630S5R1G	VQ2F2630S5R5G	VQ2F2630S5S5G	
36	2X18	1-1/2"		VQ1F3630S5GLG	VQ1F3630S5R1G	VQ1F3630S5R5G	VQ2F3630S5GLG	VQ2F3630S5R1G	VQ2F3630S5R5G	VQ2F3630S5S5G	
52	2X26	1-1/2"		VQ1F5230S5GLG	VQ1F5230S5R1G	VQ1F5230S5R5G	VQ2F5230S5GLG	VQ2F5230S5R1G	VQ2F5230S5R5G	VQ2F5230S5S5G	
64	2X32	1-1/2"		VQ1F6430S5GLG	VQ1F6430S5R1G	VQ1F6430S5R5G	VQ2F6430S5GLG	VQ2F6430S5R1G	VQ2F6430S5R5G	VQ2F6430S5S5G	
84	2X42	1-1/2"		VQ1F8430S5GLG	VQ1F8430S5R1G	VQ1F8430S5R5G	VQ2F8430S5GLG	VQ2F8430S5R1G	VQ2F8430S5R5G	VQ2F8430S5S5G	



# LIGHTING

VQ1F/VQ2F SERIES



## COMPONENTS/TECHNICAL DATA

MOUNTING SPLICE BOXES							
HUB SIZE	CATALOG NUMBER						
	PENDANT	CEILING 4 HUB	CEILING 5 HUB	WALL	CONE TOP	25 DEGREE STANCHION	90 DEGREE STANCHION
3/4"	VMA2B	VMX2B	VMX6B	VMB2B	VMC2B	—	—
1"	VMA3B	VMX3B	VMX7B	VMB3B	VMC3B	VMD4B	—
1-1/4"	—	—	—	—	—	VMD5B	VMS4B
1-1/2"	—	—	—	—	—	—	VMS5B
M-20	—	VMX8B**	VMX9B	—	—	—	—

\* VMEZA is used between a ballast tank and an EZ mount-ordered separately.

\*\* VMX8B furnished with 3 non-metallic plugs.

OPTICS AND GUARDS				
DESCRIPTION	VQ1F LOW WATTAGE 5-1/2" OPTIC THREAD SIZE		VQ2F LOW WATTAGE 7-3/4" OPTIC THREAD SIZE	
	OPTICS	GUARD	OPTICS	GUARD
Globe (glass)	VMG17	VMAG17	VMG25	VMAG25S
Refractor (all glass) Type V	VMR175	VMAG17	VMR255	VMAG25S
Refractor (all glass) Type I	VMR171	VMAG17	VMR251	VMAG25S
Refractor (all glass) Type III	—	—	VMR253	VMAG25S
Refractor (spin top glass) 8" Type V	VZRG1550	VMRWG8	—	—
Refractor (spin top glass) 12" Type V	VZRG2550	VMRWG	VZRG4050	VMRWGS
Refractor (spin top glass) 12" Type II	VZRG2520	VMRWG	VZRG4020	VMRWGS
Refractor (spin top plastic) 12" Type V	VZRP175	VMRWG	VZRP175B	VMRWGS
Enclosed Refractor (glass lens)	—	—	VMER40	VMERG
Enclosed Refractor (plastic lens)	—	—	VMEP40	—

BALLAST TANKS ONLY 120 VAC THROUGH 277 VAC 50/60 HZ			
CATALOG NUMBER			
5-1/2" OPTIC	7-3/4" OPTIC	WATTS	LAMPS INCL.
VQ1F1330	VQ2F1330	13	1X13
VQ1F1830	VQ2F1830	18	1X18
VQ1F26S30	VQ2F26S30	26	1X26
VQ1F3230	VQ2F3230	32	1X32
VQ1F4230	VQ2F4230	42	1X42
VQ1F2630	VQ2F2630	26	2X13
VQ1F3630	VQ2F3630	36	2X18
VQ1F5230	VQ2F5230	52	2X26
VQ1F6430	VQ2F6430	64	2X32
VQ1F8430	VQ2F8430	84	2X42

REPLACEMENT LAMPS	
CATALOG NUMBER	DESCRIPTION
MQL13	13W Quad-Pin
MQL18	18W Quad-Pin
MQL26	26W Quad-Pin
MQL32	32W Quad-Pin
MQL42	42W Quad-Pin

LUMEN OUTPUT	
LAMP SOURCE	LUMEN OUTPUT
13 Watt (1X13)	900
18 Watt (1X18)	1200
26 Watt (1X26)	1800
32 Watt (1X32)	2400
42 Watt (1X42)	3200
26 Watt (2X13)	1800
36 Watt (2X18)	2400
52 Watt (2X26)	3600
64 Watt (2X32)	4800
84 Watt (2X42)	6400

Ⓢ Order splice box, optic and guard separately.

VQ1F/VQ2F BALLAST DATA							
LAMP SOURCE	LAMP WATTS/TYPE	VOLTAGE 60HZ	OPERATING (AMPS)	BALLAST CIRCUIT	REGULATION	MIN. START	
Quad-Pin Fluorescent	13 Watt (1X13)	120-277	.144 (120)/.067 (277)	HPF	Electronic	5°F (-20°C) 5°F (-15°C)	
	18 Watt (1X18)		.158 (120)/.073 (277)				
	26 Watt (1X26)		.24 (120)/.11 (277)				
	32 Watt (1X32)	120-277	HPF	.31 (120)/.13 (277)	Electronic	-4°F (-20°C) Watt	
	42 Watt (1X42)						.38 (120)/.18 (277)
	26 Watt (2X13)						120-277
	36 Watt (2X18)	.316 (120)/.146 (277)					
	52 Watt (2X26)	120-277	HPF	.48 (120)/.11 (277)	Electronic	-4°F (-20°C)	
	64 Watt (2X32)						.62 (120)/.26 (277)
	84 Watt (2X42)						.76 (120)/.36 (277)



VQ1F/VQ2F SERIES

# KILLARK

APPLICATION DATA FOR HAZARDOUS LOCATIONS

VQ1F/VQ2F SERIES THERMAL PERFORMANCE DATA ①									
CLASS I DIVISION 2 GROUPS A,B,C,D/ZONE 2 GROUPS IIC,IIB,IIA/CLASS II E,F,G/CLASS III									
CATALOG NUMBER*	LAMP WATTS	AMBIENT DEGREES C	CLASS I DIVISION 2		CLASS I ZONE 2 NR II		CLASS II DIVISION 1		SUPPLY WIRE
			GLOBE OR REFRACTOR ①	GLOBE + REFLECTOR	GLOBE OR REFRACTOR ②	GLOBE + REFLECTOR	GLOBE OR REFRACTOR ①	GLOBE + REFLECTOR	TEMP. MIN. °C
VQ1F1330	13 (1X13)	40	T3C	T3C	T6	T6	T3C (EFG)	T3C (EFG)	75
		55	T3C	T3C	T6	T6	T3C (EFG)	T3C (EFG)	75
VQ1F1830	18 (1X18)	40	T3C	T3C	T6	T6	T3C (EFG)	T3C (EFG)	75
		55	T3C	T3C	T6	T6	T3C (EFG)	T3C (EFG)	75
VQ1F26S30	26 (1X26)	40	T3A	T3A	T6	T6	T3C (EFG)	T3C (EFG)	75
		55	T3A	T3A	T6	T6	T3C (EFG)	T3C (EFG)	75
VQ1F3230	32 (1X32)	40	T3A	T3A	T6	T6	T3C (EFG)	T3C (EFG)	75
		55	T3A	T3A	T6	T6	T3C (EFG)	T3C (EFG)	75
VQ1F4230	42 (1X42)	40	T3A	T3A	T6	T6	T3C (EFG)	T3C (EFG)	75
		55	T3A	T3A	T6	T6	T3C (EFG)	T3C (EFG)	75
VQ1F2630	26 (2X13)	40	T3A	T3A	T6	T6	T3C (EFG)	T3C (EFG)	60
		55	T3A	T3A	T5	T5	T3C (EFG)	T3C (EFG)	75
VQ1F3630	36 (2X18)	40	T3A	T3A	T6	T6	T3C (EFG)	T3C (EFG)	60
		55	T3A	T3A	T6	T6	T3C (EFG)	T3C (EFG)	75
VQ1F5230	52 (2X26)	40	T3	T2D	T6	T5	T3C (EFG)	T3C (EFG)	75
		55	T2D	T2D	T4	T4	T3C (EFG)	T3C (EFG)	75
VQ1F8430	64 (2X32)	40	T3	T2D	T6	T5	T3C (EFG)	T3C (EFG)	75
		55	T2D	T2D	T4	T4	T3C (EFG)	T3C (EFG)	75
VQ1F8430	84 (2X42)	40	T2B	T2B	T4	T4	T3C (EFG)	T3C (EFG)	75
		55	XXX	XXX	XXX	XXX	XXX	XXX	XXX
VQ2F1330	13 (1X13)	40	T3C	T3C	T6	T6	T4A (EFG)	T4A (EFG)	60
		55	T3C	T3C	T6	T6	T4A (EFG)	T4A (EFG)	75
VQ2F1830	18 (1X18)	40	T3C	T3C	T6	T6	T4A (EFG)	T4A (EFG)	60
		55	T3C	T3C	T6	T6	T4A (EFG)	T4A (EFG)	75
VQ2F26S30	26 (1X26)	40	T3A	T3A	T6	T6	T4A (EFG)	T4A (EFG)	60
		55	T3A	T3A	T6	T6	T4A (EFG)	T4A (EFG)	75
VQ2F3230	32 (1X32)	40	T3A	T3A	T6	T6	T4A (EFG)	T4A (EFG)	60
		55	T3A	T3A	T6	T6	T4A (EFG)	T4A (EFG)	75
VQ2F4230	42 (1X42)	40	T3A	T3A	T6	T6	T4A (EFG)	T4A (EFG)	60
		55	T3A	T3A	T6	T6	T4A (EFG)	T4A (EFG)	75
VQ2F2630	26 (2X13)	40	T3A	T3A	T6	T6	T4A (EFG)	T4A (EFG)	60
		55	T3A	T3A	T6	T6	T4A (EFG)	T4A (EFG)	75
VQ2F3630	36 (2X18)	40	T3A	T3A	T6	T6	T4A (EFG)	T4A (EFG)	60
		55	T3A	T3A	T6	T6	T4A (EFG)	T4A (EFG)	75
VQ2F5230	52 (2X26)	40	T3	T3	T6	T6	T4A (EFG)	T4A (EFG)	60
		55	T3	T3	T6	T6	T4A (EFG)	T4A (EFG)	75
VQ2F6430	64 (2X32)	40	T3	T3	T6	T6	T4A (EFG)	T4A (EFG)	60
		55	T3	T3	T6	T6	T4A (EFG)	T4A (EFG)	75
VQ1F8430	84 (2X42)	40	T2C	T2C	T6	T6	T4A (EFG)	T4A (EFG)	75
		55	XXX	XXX	XXX	XXX	XXX	XXX	XXX

T-CODE & TEMPERATURE RANGE CONVERSION TABLE °C															
T1	350	325	T2	T2A	T2B	T2C	T2D	T3	T3A	T3B	T3C	T4	T4A	T5	T6
351-450	326-350	301-325	281-300	261-280	231-260	216-230	201-215	181-200	166-180	161-165	136-160	121-135	101-120	86-100	<=85

① C1D2 & T-codes for Refractors include VMR "All Glass" and VZ Spin-Top Types. Also applies for VMER40 and VMEP40 in VQ2F models.

② T-codes for Ex nR Refractors are for VMR "All Glass" Types. Also applies for VMER40 and VMEP40 in VQ2F models.

\* VQ1F models use 5-1/2" CertiLite® V VM optics; VQ2F models use 7-3/4" VM optics.



CERTILITE® TO CERTILITE® V

GENERAL CROSS-REFERENCE FOR CERTILITE® TO CERTILITE®V***							
	WATTS	ANSI LAMP TYPE		GLOBE & GUARD	SPIN-TOP REFRACTOR	ENCLOSED REFLECTOR	TANK ONLY
HPS	50	S68	Certilite® Certilite®V	VML0-0-10 GG	VML0-0-10 G58	—	VML0-0-100
				VM3S050000GLG	VM3S050000S8N	—	VM3S0500
	70	S62		VML0-0-40 GG	VML0-0-40 G58	—	VML0-0-400
				VM3S070000GLG	VM3S070000S8N	—	VM3S0700
	100	S54		VML0-0-50 GG	VML0-0-50 G58	—	VML0-0-500
				VM3S100000GLG	VM3S100000S8N	—	VM3S1000
	150	S55		VML0-0-90 GG	VML0-0-90 G58	—	VML0-0-900
VM3S150000GLG			VM3S150000S8N	—	VM3S1500		
250	S50	VMV0-0-70 GG	VMV0-0-70 G58	VMV0-0-70ER	VMV0-0-700		
		VM5S250000GLG	VM5S250000S5N	VM5S250000ERN	VM5S2500		
400	S51	VMV0-0-80 GG	VMV0-0-80 G58	VMV0-0-80ER	VMV0-0-800		
		VM5S400000GLG	VM5S400000S5N	VM5S400000ERN	VM5S4000		
MH	70	M98	Certilite® Certilite®V	VMM0-0-40 GG	VMM0-0-40 G58	—	VMM0-0-400
				VM3H070000GLG	VM3H070000S8N	—	VM3H0700
	100	M90		VMM0-0-50 GG	VMM0-0-50 G58	—	VMM0-0-500
				VM3H100000GLG	VM3H100000S8N	—	VM3H1000
	175	M57		VMM0-0-60 GG	VMM0-0-60 G58	—	VMM0-0-600
				VM3H170000GLG	VM3H170000S5N	—	VM3H1700
250	M58	VMM0-0-70 GG	VMM0-0-70 G58	—	VMM0-0-700		
		VM3H250000GLG	VM3H250000S5N	—	VM3H2500		
400	M59	VMF0-0-80 GG	VMF0-0-80 G58	VMF0-0-80ER	VMF0-0-800		
		VM5H400000GLG	VM5H400000S5N	VM5H400000ERN	VM5H4000		
MHP	175	M137	Certilite® Certilite®V	VMU0-0-60 GG	VMU0-0-60 G58	—	VMU0-0-600
				VM3P170000GLG	VM3P170000S8N	—	VM3P1700
	250	M138		VMP0-0-70 GG	VMP0-0-70 G58	VMP0-0-70ER	VMP0-0-700
				VM5P250000GLG	VM5P250000S5N	VM5P250000ERN	VM5P2500
	320	M132		VMP0-0-32 GG	VMP0-0-32 G58	VMP0-0-32ER	VMP0-0-320
				VM5P320000GLG	VM5P320000S5N	VM5P320000ERN	VM5P3200
350	M131	VMP0-0-35 GG	VMP0-0-35 G58	VMP0-0-35ER	VMP0-0-350		
		VM5P350000GLG	VM5P350000S5N	VM5P350000ERN	VM5P3500		
400	M135	VMP0-0-80 GG	VMP0-0-80 G58	VMP0-0-80ER	VMP0-0-800		
		VM5P400000GLG	VM5P400000S5N	VM5P400000ERN	VM5P4000		
MV	100	H38	Certilite® Certilite®V	VMK0-0-50 GG	VMK0-0-50 G58	—	VMK0-0-500
				VM3M100000GLG	VM3M100000S8N	—	VM3M1000
	175	H39		VMK0-0-60 GG	VMK0-0-60 G58	—	VMK0-0-600
				VM3M170000GLG	VM3M170000S8N	—	VM3M1700
	250	H37		VMK0-0-70 GG	VMK0-0-70 G58	—	VMK0-0-700
VM3M250000GLG			VM3M250000S8N	—	VM3M2500		
400	H33	VME0-0-80 GG	VME0-0-80 G58	VME0-0-80ER	VME0-0-800		
		VM5M400000GLG	VM5M400000S5N	VM5M400000ERN	VM5M4000		

\*\*\* See catalog logic for more information regarding additional conduit sizing and fixture options and accessories.

Ⓢ 175-400W MH Fixtures are EXPORT ONLY (EISA LAW).

COMPONENTS			
	CERTILITE®	CERTILITE®V	DESCRIPTION
MOUNTS	VMA-2	VMA2B	3/4" Pendant
	VMA-3	VMA3B	1" Pendant
	VMB-2	VMB2B	3/4" Wall Bracket
	VMB-3	VMB3B	1" Wall Bracket
	VMC-2	VMC2B	3/4" Cone Top
	VMD-4	VMD4B	1-1/4" 25° Stanchion
	VMD-5	VMD5B	1-1/2" 25° Stanchion
	VMD-5	VMD5B	1-1/2" 90° Stanchion
	VMX-2	VMX2B	3/4" Ceiling
VMX-3	VMX3B	1" Ceiling	
OPTICS	VMG-17	VMG17	5-1/2" GLOBE
	VMGT-17	VMG17F	TUFFSKIN GLOBE
	VMGTC-17	VMG17T	TELFON GLOBE
	VMG-40	VMG40	7-3/4" HIGH WATT GLOBE
	VZRG-1550	VZRG1550	8" SPIN-TOP V REFRACTOR
	VZRG-2550	VZRG2550	12" SPIN-TOP V REFRACTOR
	VZRG-2510	VZRG2520	12" SPIN-TOP II REFRACTOR
	VZRP-175	VZRP175	12" POLY REFRACTOR
	VZRG-4050	VZRG4050	12" SPIN-TOP V REFRACTOR
VZRG-4020	VZRG4020	12" SPIN-TOP II REFRACTOR	
GUARDS	VMAG-17	VMAG17	5-1/2" GLOBE GUARD
	VMAG-40	VMAG40S	HIGH WATT GLOBE GUARD
	VMRWG-8	VMRWG8	8" SPIN-TOP GUARD
	VMRWG	VMRWG	12" SPIN-TOP GUARD
REFLECTORS	VMP-SD-17	VMP-SD-40	WHITE REFLECTOR
	VMP-PA-17	VMP-PA-40	WHITE ANGLE REFLECTOR
	VMP-SD-40	VMP-SD-40	WHITE REFLECTOR
	VMP-PA-40	VMP-PA-40	WHITE ANGLE REFLECTOR
	HRD-400	HRD400	DEEP WHITE REFLECTOR
	HRD-400ALZ	HRD400ALZ	DEEP ALZAK REFLECTOR

Ⓢ All Certilite®V tanks use "40" reflectors.

MOUNT CODES ①①		
CERTILITE® ①-①	CERTILITE®V ①①	DESCRIPTION
A-2	A2	3/4" Pendant
A-3	A3	1" Pendant
B-2	B2	3/4" Wall Bracket
B-3	B3	1" Wall Bracket
C-2	C2	3/4" Cone Top
D-4	D4	1-1/4" 25° Stanchion
D-5	D5	1-1/2" 25° Stanchion
S-5	S5	1-1/2" 90° Stanchion
X-2	X2	3/4" Ceiling
X-3	X3	1" Ceiling

OPTIONS		
CERTILITE®	CERTILITE®V	DESCRIPTION
QTZ	QA	Quartz Auxiliary
IR	IR	Instant Restart
BP	BP	Ballast Protector
NR	NR	Restricted Breathing
SU103	AS	Assembled w/Standard Lamp

VOLTAGE CODES ②		
CERTILITE®	CERTILITE®V	DESCRIPTION
0	0	Quad-Tap 120, 208, 240, 277V 60Hz
6	6	Tri-Tap 120, 277, 347V 60Hz
5	5	480V 60Hz
7	7	220V 60Hz
8	8	240V 50Hz





## INTRODUCTION

### FEATURES-SPECIFICATIONS



KILLARK® CertiLite® V Series sets a new standard for industrial grade HID luminaires. Designed for installations where moisture, dirt, dust, corrosion and vibration may be present, these fixtures are suitable for NEMA 3 and 4X areas and where wind, water, snow or high ambients can be expected. They also can be used in locations made hazardous by the presence of flammable vapors and gases or combustible dusts, as defined by the NEC®. Typical applications include manufacturing sites, chemical and petrochemical processing facilities, sewage treatment plants, off-shore and dockside installations, garages and warehouses.

#### Standard Materials:

- Ballast tank and splice box – corrosion resistant copper-free aluminum alloy with baked powder epoxy/polyester finish, electrostatically applied for complete, uniform corrosion protection.
- All external hardware – 316 stainless steel.
- Guards – painted copper-free aluminum alloy or 316SS for 7-3/4” glass optics and Enclosed Reflectors.
- Spin-top Refractor Guards are Plated Steel.
- Reflectors – lightweight, corrosion resistant fiberglass reinforced polyester, or copper-free aluminum.

#### Additional Features:

- Seven mounting splice box types; Pendant, Flex Pendant, Ceiling, Wall bracket, Cone Top, 25° Angle Stanchion, Straight Stanchion – in a variety of entry sizes, including M20 for the VMX ceiling style.
- Quartz auxiliary, HPS instant restart, Ballast Protectors
- Minimum starting temperature: HPS – 40°C; MV, MH & MHP – 30°C
- Normally shipped as components for fast delivery, or may be ordered factory assembled with or without lamps.
- Options for fuses and quick disconnect



Class I, Div. 2, Groups A,B,C,D  
 Class I, Zone 2, Groups IIC, IIB, IIA  
 Class II, Div. 1 & 2, Groups E,F,G  
 Class III  
 Suitable for wet locations  
 NEMA 3, 4, 4X  
 IP66

UL US LISTED - File E10514 (Hazardous & Marine)

SP US Certified - File LR11713

NR Restricted Breathing Option

Class I, Zone 2 AEx nAnR

Class I, Zone 2 Ex nR

#### Compliances

- UL1598 Standard for luminaires
- UL1598A Marine type luminaire
- UL-844 Standard for lighting fixtures for hazardous locations
- CSA C22.2 no. 137-M1981 electric luminaires for use in hazardous locations
- Enclosed and gasketed
- NEMA 3, 4X IP66
- UL 60079-15 - Electrical apparatus for Explosive Gas Atmospheres with Type of Protection “n” (Restricted Breathing and non-sparking).

FEATURES		BENEFITS
	Swing-Barrel Nut Patented Tank Mounting System	<ul style="list-style-type: none"> <li>• Stainless-to-Stainless securement</li> <li>• Takes load off during installation</li> <li>• Uses ordinary tools</li> <li>• Saves time and labor</li> </ul>
	Range of ballast tanks	Cover a wider range of wattage sizes and socket types (will include five total) for maximum user selection flexibility
	Sealed Optic Zone 2 AEx nAR Restricted Breathing (suffix NR)	NO External Seals. Lower T-codes, Suitable for Class I Div. 2 Classified areas per the NEC®
	All glass refractors	Compact (5-1/2” thread size, types I & V) Standard (7-3/4”, thread size, types I, III, V) Enhances user selection flexibility
	“EZ” mount adapter	Easier Maintenance, saves labor, move fixture from the ladder to the workbench
	Photo controls- Class I Div.2 / N4X areas	Available as Field or Factory Installed to save energy when light not required
	Earthquake Tab -Built-in attachment point for safety cables	Safety: Secures fixture to structure in case of conduit failure. “3rd hand” accessories for lamp change out. See L53 for more info.
	“FULL CUTOFF” & CUTOFF Optics	For “Dark Sky” Requirements. Helps to minimize offending light pollution.
	VMEP40 “Food Optic”	Expanded Offering for Food or Grain Handling Applications to minimize contamination
	NEMA Decals 15 17 17P	Easier Maintenance, Saves labor “Have the right lamp in hand before going up the ladder”.
	Expanded lamp types and wattages	Philips® QL Induction type and 600Watt HPS available for long life or high lumen requirements
	CertiLite Software	Used to determine number of fixtures required and their proper layout for various tasks and applications.

Philips® is a registered trademark of Koninklijke Philips Electronics N.V.



## INTRODUCTION

**CERTILITE® V**  
*The Logical Choice*



**VM1**  
5 1/2" Optic  
Reduced Profile  
Medium Base



**VM2**  
7 3/4" Optic  
Reduced Profile  
Medium Base



**VM3**  
5 1/2" Optic Low  
Wattage Mogul  
Base



**VM4**  
7 3/4" Optic Low  
Wattage Mogul  
Base



**VM5**  
7 3/4" Optic High  
Wattage Mogul  
Base

## SWING-BARREL NUT



### Hang Fixture

- The CertiLite® V patented Swing-Barrel Nut System provides a Stainless-to-Stainless securement between tank and mounting box. No more Stainless-to-Aluminum connections or need for Stainless inserts.



### Swing into Place

- Users can easily lift the tank into place and "take the load off" then tighten. Saves time and labor.



### Tighten

- Only the patented Swing-Barrel Nut Stainless System can be tightened with a common screwdriver or nut driver; others are either stainless-to-aluminum, or require a wrench or special deep socket.

**NOTE:** CertiLite® V series tanks are backwardly compatible with older



## INTRODUCTION

### CERTILITE® V *The Logical Choice*

#### FOR PERSONNEL SAFETY

Maintenance personnel are often in awkward positions when relamping: trying to simultaneously hold on to a ladder, a globe and the lamp. Available “3rd Hand” suspension cables support 5-1/2” VMG17/VMR17x optics, utilizing the VMAG17 guard. 7-3/4” VMG25/VMR25x/VMG40 optics utilize the VMAGxxS guard and VMAGBC bottom closure. Cables attach to a special “Earthquake Tab” built into the ballast tank housing. See Suspension Accessories page L126.



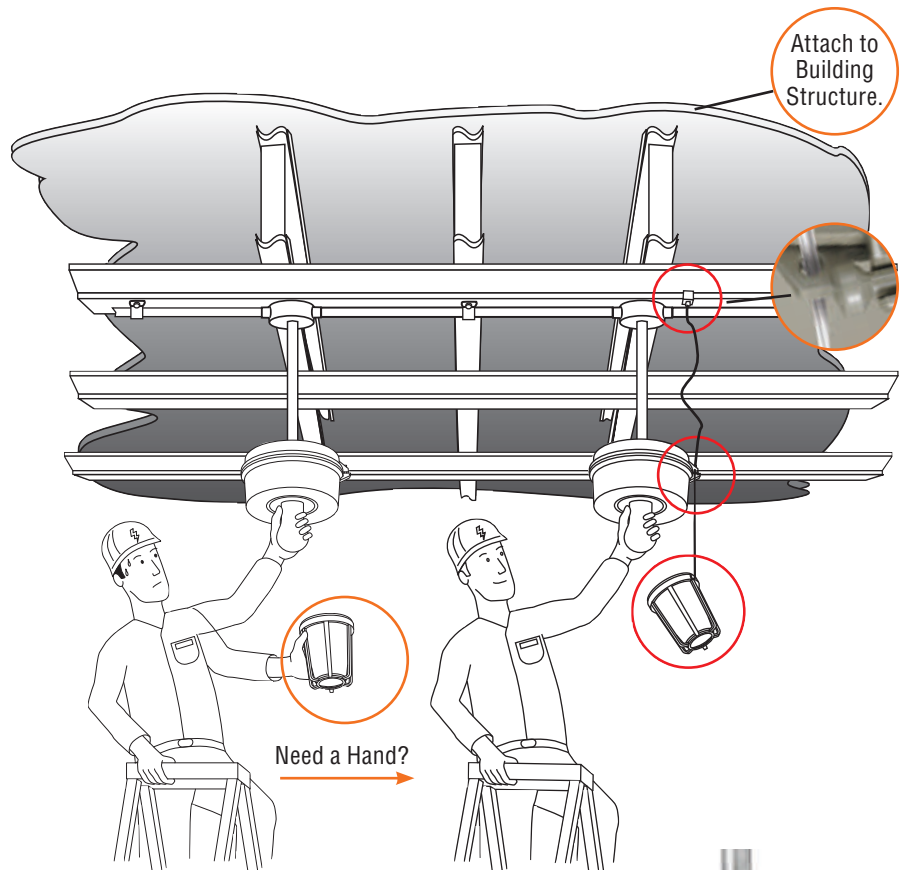
CertiLite®V tanks as standard have a built-in “Earthquake Tab”. The tab is used to hold optic suspension devices, and can simultaneously be used to add a safety cable linked to the building superstructure.

#### EZ MOUNT & LAMP IDENTIFICATION

To enable easy and safe removal of CertiLite®V fixtures for maintenance, install with the new VMEZA ballast tank to EZ mount adapter.

The complete assembly is removed for maintenance at the workbench.

Large facilities often keep spares so that a “new” fixture is put in at the time one needs maintenance – thus eliminating the need to set up access equipment multiple times.

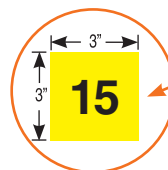


#### HAVE THE RIGHT LAMP IN HAND BEFORE GOING UP THE LADDER.

**15**  
Yellow  
150W HPS

**17**  
RED  
175W MH

**17P**\*  
RED  
175W MHP



NEMA Decals for Lamp Type & Wattage

\* “P” designates newer pulse start Metal Halide lamps: 150, 175, 200, 250, 320, 350 and 400 watt models.

# LIGHTING

## CERTILITE® V SERIES



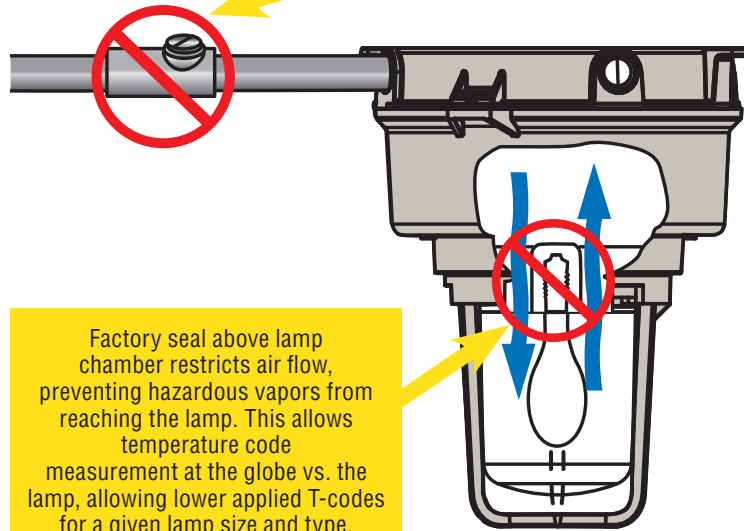
### INTRODUCTION

NEW "Sealed Optic" construction, option "NR". Rated for Class I, Zone 2 **AEx nAnR/Ex nR II** Restricted Breathing. "Sealed Entry" is no longer required to obtain significantly lower T-codes.

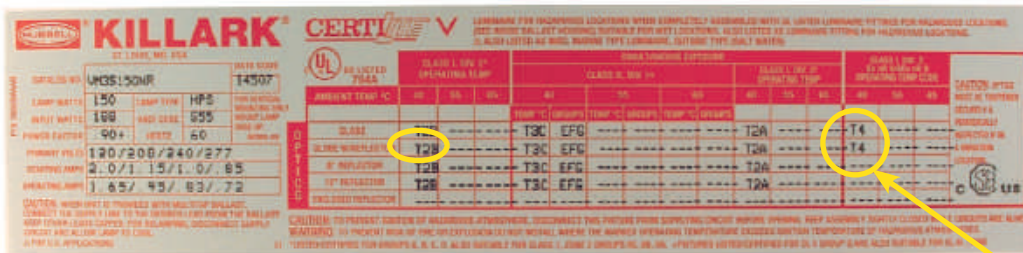
#### FOR LOWER T-CODES

- CertiLite®V luminaires with the NR option are factory sealed to save installation time and labor costs.
- AEx nAnR/Ex nR II is covered under NEC® Article 505, and indicates Non-Arcing and Non-Breathing.
- North American Class I Division 2 designated locations may use properly marked Zone 2 rated equipment per NEC Article 501.5.
- The CertiLite®V NR option is available for VMG, VMR, and VMER40 optics, but not VZRG Type "Spin-top" Refractors.
- Permits the use of fewer higher wattage luminaires for a given application.

No labor intensive conduit seals or sealed cable glands required for installation



Factory seal above lamp chamber restricts air flow, preventing hazardous vapors from reaching the lamp. This allows temperature code measurement at the globe vs. the lamp, allowing lower applied T-codes for a given lamp size and type.



See the Benefit!

LAMP TYPE AND WATTAGE	EXAMPLES AT 40C AMBIENT. SEE THERMAL PERFORMANCE CHARTS BEGINNING L84 FOR MORE INFORMATION	CLASS I DIV. 2/ ZONE 2 GLOBE ONLY	CLASS I ZONE 2 AEX NANR II	REDUCTION IN APPLIED T-CODE
		①	②	
150 HPS	VM3 w/ VMG or VMR	T2B (260°C)	T4 (135°C)	-125°C
	VM4 w/ VMG or VMR	T2B (260°C)	T4 (135°C)	-125°C
400 HPS	VM5 w/ VMG	350° C	T3 (200°C)	-150°C
	VM5 w/ VMER40	350° C	T3 (200°C)	-150°C
175 MH	VM3 w/ VMG or VMR	T2A (280°C)	T3 (200°C)	-80°C
	VM4 w/ VMG or VMR	T2B (260°C)	T4 (135°C)	-125°C
400 MH	VM5 w/ VMG40	325° (300°C)	T3 (200°C)	-100°C
	VM5 w/ VMER40	T2 (300°C)	T3 (200°C)	-100°C

① Based on Lamp temperature data  
 ② Based on Globe temperature data



## INTRODUCTION

### CERTILITE® V *The Logical Choice*

#### FOR FOOD & GRAIN SAFETY AND LOW BAY APPLICATIONS

- CertiLite®V VM4 or VM5 series luminaires with the new VMPE40 Optic have a strong non-glass polycarbonate shield protecting food from potential broken glass contamination, as could be the case even with heat-resistant heavy duty globes.
- Unique design incorporates internal glass lens to seal out dust and vapors from the lamp, with a polycarbonate shield banded tightly at the bottom.
- Copper-free aluminum reflector has anodized finish for easy cleaning; threaded portion at top is natural aluminum to prevent paint dust contamination during maintenance (from attaching/detaching).
- Polycarbonate shield is replaceable and must always be used to maintain ratings. Order part number VMPE40-LENS.

#### SAFETY COATING

#### EXPANDED TEFLON® COATED OPTICS

- CertiLite®V now offers additional all glass threaded refractors, and many are available with a Teflon coating.
- Teflon® coating helps to reduce the likelihood of glass breakage, and if broken, reduces the area of contamination. Also enhances cleanability.

*Teflon® is a registered trademark of Dupont, Inc.*



Grain Area



Food Area



VMG17T



VMPE40 Optic



# LIGHTING

CERTILITE® V SERIES

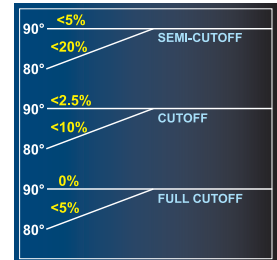
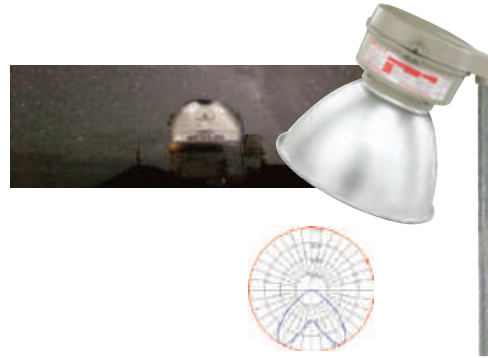


## INTRODUCTION




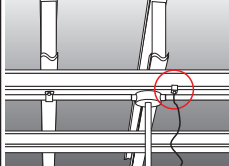
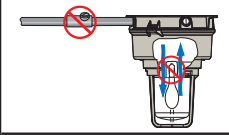



**CERTILITE® V**  
*The Logical Choice*

### For Dark Sky Needs

- The CertiLite®V VMER40 Enclosed Reflector meets the “Full Cutoff” photometric requirement in many areas, such as observatories, to minimize offending light pollution. Fits VM2, VM4 & VM5 Series tanks.
- Use VMDARK1 gasket kit to enable the deep HRD Series Reflectors to meet the “Full Cutoff” requirement over globes on the VM4, or “Cutoff” on VM5 Series tanks.



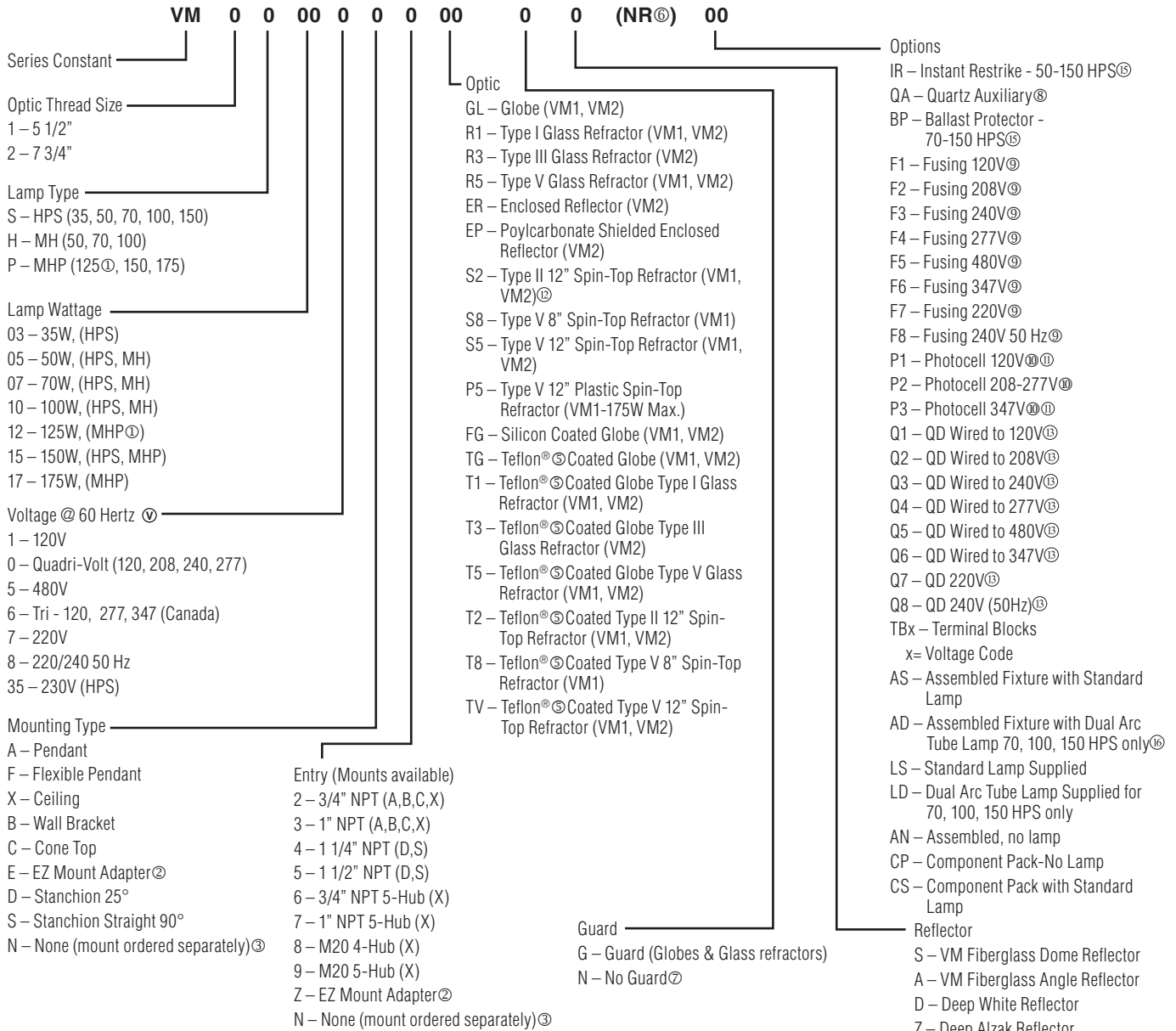
### COMPETITIVE COMPARISONS

CERTILITE®V KILLARK	COMPETITION
 <p>Swing-barrel nut (patented) Stainless-to-Stainless securement between tank and mounting box. Can be tightened with a common screwdriver or nut driver.</p>	Either not stainless, or require a wrench or special deep socket.
 <p>Earthquake tab Built in securement location for safety cables, optic “3rd Hand” or to building structure.</p>	Not available
 <p>Maintenance Safety Optic suspension systems</p>	Not available
 <p>Suspension safety cable to building superstructure</p>	Not available
 <p>“Sealed Optic” Instead of more costly “Sealed Entry” Meets AEx nAR Requirements</p>	“Sealed Entry” requires extra parts (conduit seals) and labor to install, and block pulling of replacement wiring.
 <p>VMEP40 Food Area Suitable Optic</p>	Only Glass Optics Offered
 <p>Dark Sky Optics Available</p>	Limited, if any, solutions for light pollution, a problem in many areas.
 <p>316 Stainless Guards For 7 3/4” All Glass Optics. Optional Bottom Closure.</p>	“Ordinary” stainless & open bottom type only. Provides less protection from bottom impact or corrosion.



## VM1/VM2 CATALOG ORDERING LOGIC

### CertiLite®V Catalog Number Logic; 35-175 Low Wattage (Medium Base) HID Fixtures



<sup>Ⓞ</sup> Special order lamp type/wattage not shown in grids, minimums apply.  
<sup>Ⓞ</sup> Completes as "EZ"; conduit mounting boxes ordered separately.  
<sup>Ⓞ</sup> NN mount ordered separately.  
<sup>Ⓞ</sup> Silicone coated globe for additional impact protection.  
<sup>Ⓞ</sup> Teflon<sup>®</sup> is a registered trademark of DuPont, Inc.  
<sup>Ⓞ</sup> Consult factory for available lamp and voltage combinations.  
<sup>Ⓞ</sup> Restricted Breathing - See L84 for more information.  
<sup>Ⓞ</sup> Order Guards for Spin-Tops & VMER40 separately.

<sup>Ⓞ</sup> QA not suitable for Class I, Div. 2/Zone 2 applications; consult factory for other hazardous applications.  
<sup>Ⓞ</sup> Fusing not for Marine or Canadian installations.  
<sup>Ⓞ</sup> Photo cells for Class I, Div. 2 only, or C122 nR not Class II.  
<sup>Ⓞ</sup> Field connection to proper tap in case of Multitap Ballasts.  
<sup>Ⓞ</sup> Not for use with wall or straight (90°) Stanchion.  
<sup>Ⓞ</sup> QD = Quick Disconnect. Allows easy tank removal for maintenance.

<sup>Ⓞ</sup> Electrician simply unplugs de-energized ballast from supply circuit. 220V 60Hz or 230V 50Hz used with QA-requires VM5 tank.  
<sup>Ⓞ</sup> IR and BP cannot be ordered together.  
<sup>Ⓞ</sup> Not available with IR or QA.

# LIGHTING

## CERTILITE® V SERIES



### HIGH PRESSURE SODIUM, 35-150W MEDIUM BASE HID



**VM1 Pendant**  
w/ 5-1/2"  
Globe & Guard



**VM2 Pendant**  
w/ 7-3/4"  
Globe & Guard



**VM1 Flexible Pendant**  
w/ 5-1/2"  
Refractor & Guard



**VM2 Flexible Pendant**  
w/ 7-3/4"  
Refractor & Guard

**Class I, Div. 2, Groups A,B,C,D<sup>①</sup>**  
**Class I, Zone 2, Groups IIC, IIB, IIA**  
**Class II, Div. 1 & 2, Groups E,F,G**  
**Class III**  
**Suitable for wet locations**  
**NEMA 3, 4, 4X**  
**IP66**  
**US LISTED** - File E10514 (Hazardous & Marine)  
**US Certified** - File LR11713  
**NR Restricted Breathing Option<sup>⑤</sup>**  
**Class I, Zone 2 AEx nAnR** **US**  
**Class I, Zone 2 Ex nR** **US**

VM 35 - 150 HIGH PRESSURE SODIUM - PENDANT										
DESCRIPTION				5-1/2" OPTIC THREAD SIZE ②			7-3/4" OPTIC THREAD SIZE ②			
WATTS	ANSI	HUB SIZE ③	VOLTAGE ④	GLOBE & GUARD	TYPE I GLASS REFRACTOR & GUARD	TYPE V GLASS REFRACTOR & GUARD	GLOBE & GUARD	TYPE I GLASS REFRACTOR & GUARD	TYPE V GLASS REFRACTOR & GUARD	12" SPIN-TOP TYPE V REFRACTOR & GUARD
35	S76	3/4"	120V	VM1S031A2GLG	VM1S031A2R1G	VM1S031A2R5G	VM2S031A2GLG	VM2S031A2R1G	VM2S031A2R5G	VM2S031A2S5G
50	S68	3/4"	Quad	VM1S050A2GLG	VM1S050A2R1G	VM1S050A2R5G	VM2S050A2GLG	VM2S050A2R1G	VM2S050A2R5G	VM2S050A2S5G
70	S62	3/4"	Quad Tri 480	VM1S070A2GLG	VM1S070A2R1G	VM1S070A2R5G	VM2S070A2GLG	VM2S070A2R1G	VM2S070A2R5G	VM2S070A2S5G
				VM1S076A2GLG	VM1S076A2R1G	VM1S076A2R5G	VM2S076A2GLG	VM2S076A2R1G	VM2S076A2R5G	VM2S076A2S5G
				VM1S075A2GLG	VM1S075A2R1G	VM1S075A2R5G	VM2S075A2GLG	VM2S075A2R1G	VM2S075A2R5G	VM2S075A2S5G
100	S54	3/4"	Quad Tri 480	VM1S100A2GLG	VM1S100A2R1G	VM1S100A2R5G	VM2S100A2GLG	VM2S100A2R1G	VM2S100A2R5G	VM2S100A2S5G
				VM1S106A2GLG	VM1S106A2R1G	VM1S106A2R5G	VM2S106A2GLG	VM2S106A2R1G	VM2S106A2R5G	VM2S106A2S5G
				VM1S105A2GLG	VM1S105A2R1G	VM1S105A2R5G	VM2S105A2GLG	VM2S105A2R1G	VM2S105A2R5G	VM2S105A2S5G
150	S55	3/4"	Quad Tri 480	VM1S150A2GLG	VM1S150A2R1G	VM1S150A2R5G	VM2S150A2GLG	VM2S150A2R1G	VM2S150A2R5G	VM2S150A2S5G
				VM1S156A2GLG	VM1S156A2R1G	VM1S156A2R5G	VM2S156A2GLG	VM2S156A2R1G	VM2S156A2R5G	VM2S156A2S5G
				VM1S155A2GLG	VM1S155A2R1G	VM1S155A2R5G	VM2S155A2GLG	VM2S155A2R1G	VM2S155A2R5G	VM2S155A2S5G

VM 35 - 150 HIGH PRESSURE SODIUM - FLEX PENDANT										
DESCRIPTION				5-1/2" OPTIC THREAD SIZE ②			7-3/4" OPTIC THREAD SIZE ②			
WATTS	ANSI	HUB SIZE ③	VOLTAGE ④	GLOBE & GUARD	TYPE I GLASS REFRACTOR & GUARD	TYPE V GLASS REFRACTOR & GUARD	GLOBE & GUARD	TYPE I GLASS REFRACTOR & GUARD	TYPE V GLASS REFRACTOR & GUARD	12" SPIN-TOP TYPE V REFRACTOR & GUARD
35	S76	3/4"	120V	VM1S031F2GLG	VM1S031F2R1G	VM1S031F2R5G	VM2S031F2GLG	VM2S031F2R1G	VM2S031F2R5G	VM2S031F2S5G
50	S68	3/4"	Quad	VM1S050F2GLG	VM1S050F2R1G	VM1S050F2R5G	VM2S050F2GLG	VM2S050F2R1G	VM2S050F2R5G	VM2S050F2S5G
70	S62	3/4"	Quad Tri 480	VM1S070F2GLG	VM1S070F2R1G	VM1S070F2R5G	VM2S070F2GLG	VM2S070F2R1G	VM2S070F2R5G	VM2S070F2S5G
				VM1S076F2GLG	VM1S076F2R1G	VM1S076F2R5G	VM2S076F2GLG	VM2S076F2R1G	VM2S076F2R5G	VM2S076F2S5G
				VM1S075F2GLG	VM1S075F2R1G	VM1S075F2R5G	VM2S075F2GLG	VM2S075F2R1G	VM2S075F2R5G	VM2S075F2S5G
100	S54	3/4"	Quad Tri 480	VM1S100F2GLG	VM1S100F2R1G	VM1S100F2R5G	VM2S100F2GLG	VM2S100F2R1G	VM2S100F2R5G	VM2S100F2S5G
				VM1S106F2GLG	VM1S106F2R1G	VM1S106F2R5G	VM2S106F2GLG	VM2S106F2R1G	VM2S106F2R5G	VM2S106F2S5G
				VM1S105F2GLG	VM1S105F2R1G	VM1S105F2R5G	VM2S105F2GLG	VM2S105F2R1G	VM2S105F2R5G	VM2S105F2S5G
150	S55	3/4"	Quad Tri 480	VM1S150F2GLG	VM1S150F2R1G	VM1S150F2R5G	VM2S150F2GLG	VM2S150F2R1G	VM2S150F2R5G	VM2S150F2S5G
				VM1S156F2GLG	VM1S156F2R1G	VM1S156F2R5G	VM2S156F2GLG	VM2S156F2R1G	VM2S156F2R5G	VM2S156F2S5G
				VM1S155F2GLG	VM1S155F2R1G	VM1S155F2R5G	VM2S155F2GLG	VM2S155F2R1G	VM2S155F2R5G	VM2S155F2S5G

① See hazardous location data pages L131- L140 for application suitability  
 ② Catalog numbers shown are with Guard; to omit guard change ending G to N; e.g. VM1S050A2GLN  
 ③ Catalog numbers shown are with 3/4" conduit openings; change "2" to "3" for 1" e.g. VM1S050A3GLG  
 ④ Consult catalog logic for other available voltage & lamp combinations  
 ⑤ Add suffix NR for AEx nR Restricted Breathing; see page L84 for more information (CSB US only)



HIGH PRESSURE SODIUM, 35-150W MEDIUM BASE HID



VM1 Ceiling  
w/ 5-1/2"  
Globe & Guard



VM2 Ceiling  
w/ 7-3/4"  
Globe & Guard



VM1 Wall  
w/ 5-1/2"  
Refractor & Guard



VM2 Wall  
w/ 7-3/4"  
Refractor & Guard

VM 35 - 150 HIGH PRESSURE SODIUM - CEILING										
DESCRIPTION				5-1/2" OPTIC THREAD SIZE ⊗			7-3/4" OPTIC THREAD SIZE ⊗			
WATTS	ANSI	HUB SIZEⓈ	VOLTAGEⓈ	GLOBE & GUARD	TYPE I GLASS REFRACTOR & GUARD	TYPE V GLASS REFRACTOR & GUARD	GLOBE & GUARD	TYPE I GLASS REFRACTOR & GUARD	TYPE V GLASS REFRACTOR & GUARD	12" SPIN-TOP TYPE V REFRACTOR & GUARD
35	S76	3/4"	120V	VM1S031X2GLG	VM1S031X2R1G	VM1S031X2R5G	VM2S031X2GLG	VM2S031X2R1G	VM2S031X2R5G	VM2S031X2S5G
50	S68	3/4"	Quad	VM1S050X2GLG	VM1S050X2R1G	VM1S050X2R5G	VM2S050X2GLG	VM2S050X2R1G	VM2S050X2R5G	VM2S050X2S5G
70	S62	3/4"	Quad Tri 480	VM1S070X2GLG	VM1S070X2R1G	VM1S070X2R5G	VM2S070X2GLG	VM2S070X2R1G	VM2S070X2R5G	VM2S070X2S5G
				VM1S076X2GLG	VM1S076X2R1G	VM1S076X2R5G	VM2S076X2GLG	VM2S076X2R1G	VM2S076X2R5G	VM2S076X2S5G
				VM1S075X2GLG	VM1S075X2R1G	VM1S075X2R5G	VM2S075X2GLG	VM2S075X2R1G	VM2S075X2R5G	VM2S075X2S5G
100	S54	3/4"	Quad Tri 480	VM1S100X2GLG	VM1S100X2R1G	VM1S100X2R5G	VM2S100X2GLG	VM2S100X2R1G	VM2S100X2R5G	VM2S100X2S5G
				VM1S106X2GLG	VM1S106X2R1G	VM1S106X2R5G	VM2S106X2GLG	VM2S106X2R1G	VM2S106X2R5G	VM2S106X2S5G
				VM1S105X2GLG	VM1S105X2R1G	VM1S105X2R5G	VM2S105X2GLG	VM2S105X2R1G	VM2S105X2R5G	VM2S105X2S5G
150	S55	3/4"	Quad Tri 480	VM1S150X2GLG	VM1S150X2R1G	VM1S150X2R5G	VM2S150X2GLG	VM2S150X2R1G	VM2S150X2R5G	VM2S150X2S5G
				VM1S156X2GLG	VM1S156X2R1G	VM1S156X2R5G	VM2S156X2GLG	VM2S156X2R1G	VM2S156X2R5G	VM2S156X2S5G
				VM1S155X2GLG	VM1S155X2R1G	VM1S155X2R5G	VM2S155X2GLG	VM2S155X2R1G	VM2S155X2R5G	VM2S155X2S5G

VM 35 - 150 HIGH PRESSURE SODIUM - WALL										
DESCRIPTION				5-1/2" OPTIC THREAD SIZE ⊗			7-3/4" OPTIC THREAD SIZE ⊗			
WATTS	ANSI	HUB SIZEⓈ	VOLTAGEⓈ	GLOBE & GUARD	TYPE I GLASS REFRACTOR & GUARD	TYPE V GLASS REFRACTOR & GUARD	GLOBE & GUARD	TYPE I GLASS REFRACTOR & GUARD	TYPE V GLASS REFRACTOR & GUARD	12" SPIN-TOP TYPE V REFRACTOR & GUARD
35	S76	3/4"	120V	VM1S031B2GLG	VM1S031B2R1G	VM1S031B2R5G	VM2S031B2GLG	VM2S031B2R1G	VM2S031B2R5G	VM2S031B2S5G
50	S68	3/4"	Quad	VM1S050B2GLG	VM1S050B2R1G	VM1S050B2R5G	VM2S050B2GLG	VM2S050B2R1G	VM2S050B2R5G	VM2S050B2S5G
70	S62	3/4"	Quad Tri 480	VM1S070B2GLG	VM1S070B2R1G	VM1S070B2R5G	VM2S070B2GLG	VM2S070B2R1G	VM2S070B2R5G	VM2S070B2S5G
				VM1S076B2GLG	VM1S076B2R1G	VM1S076B2R5G	VM2S076B2GLG	VM2S076B2R1G	VM2S076B2R5G	VM2S076B2S5G
				VM1S075B2GLG	VM1S075B2R1G	VM1S075B2R5G	VM2S075B2GLG	VM2S075B2R1G	VM2S075B2R5G	VM2S075B2S5G
100	S54	3/4"	Quad Tri 480	VM1S100B2GLG	VM1S100B2R1G	VM1S100B2R5G	VM2S100B2GLG	VM2S100B2R1G	VM2S100B2R5G	VM2S100B2S5G
				VM1S106B2GLG	VM1S106B2R1G	VM1S106B2R5G	VM2S106B2GLG	VM2S106B2R1G	VM2S106B2R5G	VM2S106B2S5G
				VM1S105B2GLG	VM1S105B2R1G	VM1S105B2R5G	VM2S105B2GLG	VM2S105B2R1G	VM2S105B2R5G	VM2S105B2S5G
150	S55	3/4"	Quad Tri 480	VM1S150B2GLG	VM1S150B2R1G	VM1S150B2R5G	VM2S150B2GLG	VM2S150B2R1G	VM2S150B2R5G	VM2S150B2S5G
				VM1S156B2GLG	VM1S156B2R1G	VM1S156B2R5G	VM2S156B2GLG	VM2S156B2R1G	VM2S156B2R5G	VM2S156B2S5G
				VM1S155B2GLG	VM1S155B2R1G	VM1S155B2R5G	VM2S155B2GLG	VM2S155B2R1G	VM2S155B2R5G	VM2S155B2S5G

Ⓢ See hazardous location data pages L131 - L140 for application suitability  
 ⊗ Catalog numbers shown are with Guard; to omit guard change ending G to N; e.g. VM1S050X2GLN  
 ⊗ Catalog numbers shown are with 3/4" conduit openings; change "2" to "3" for 1" e.g. VM1S050X3GLG  
 ⊗ Consult catalog logic for other available voltage & lamp combinations  
 ⊗ Add suffix NR for AEx nR Restricted Breathing; see page L84 for more information (Ⓢ only)

# LIGHTING

CERTILITE® V SERIES



## HIGH PRESSURE SODIUM, 35-150W MEDIUM BASE HID



VM1 Cone  
w/5-1/2"  
Globe & Guard



VM2 Cone  
w/7-3/4"  
Globe & Guard



VM1 EZ Adapter  
w/5-1/2"  
Refractor & Guard



VM2 EZ Adapter  
w/7-3/4"  
Refractor & Guard

VM 35 - 150 HIGH PRESSURE SODIUM - CONE										
DESCRIPTION				5-1/2" OPTIC THREAD SIZE ②			7-3/4" OPTIC THREAD SIZE ②			
WATTS	ANSI	HUB SIZE ③	VOLTAGE ④	GLOBE & GUARD	TYPE I GLASS REFRACTOR & GUARD	TYPE V GLASS REFRACTOR & GUARD	GLOBE & GUARD	TYPE I GLASS REFRACTOR & GUARD	TYPE V GLASS REFRACTOR & GUARD	12" SPIN-TOP TYPE V REFRACTOR & GUARD
35	S76	3/4	120V	VM1S031C2GLG	VM1S031C2R1G	VM1S031C2R5G	VM2S031C2GLG	VM2S031C2R1G	VM2S031C2R5G	VM2S031C2S5G
50	S68	3/4	Quad	VM1S050C2GLG	VM1S050C2R1G	VM1S050C2R5G	VM2S050C2GLG	VM2S050C2R1G	VM2S050C2R5G	VM2S050C2S5G
70	S62	3/4	Quad Tri 480	VM1S070C2GLG	VM1S070C2R1G	VM1S070C2R5G	VM2S070C2GLG	VM2S070C2R1G	VM2S070C2R5G	VM2S070C2S5G
				VM1S076C2GLG	VM1S076C2R1G	VM1S076C2R5G	VM2S076C2GLG	VM2S076C2R1G	VM2S076C2R5G	VM2S076C2S5G
				VM1S075C2GLG	VM1S075C2R1G	VM1S075C2R5G	VM2S075C2GLG	VM2S075C2R1G	VM2S075C2R5G	VM2S075C2S5G
100	S54	3/4	Quad Tri 480	VM1S100C2GLG	VM1S100C2R1G	VM1S100C2R5G	VM2S100C2GLG	VM2S100C2R1G	VM2S100C2R5G	VM2S100C2S5G
				VM1S106C2GLG	VM1S106C2R1G	VM1S106C2R5G	VM2S106C2GLG	VM2S106C2R1G	VM2S106C2R5G	VM2S106C2S5G
				VM1S105C2GLG	VM1S105C2R1G	VM1S105C2R5G	VM2S105C2GLG	VM2S105C2R1G	VM2S105C2R5G	VM2S105C2S5G
150	S55	3/4	Quad Tri 480	VM1S150C2GLG	VM1S150C2R1G	VM1S150C2R5G	VM2S150C2GLG	VM2S150C2R1G	VM2S150C2R5G	VM2S150C2S5G
				VM1S156C2GLG	VM1S156C2R1G	VM1S156C2R5G	VM2S156C2GLG	VM2S156C2R1G	VM2S156C2R5G	VM2S156C2S5G
				VM1S155C2GLG	VM1S155C2R1G	VM1S155C2R5G	VM2S155C2GLG	VM2S155C2R1G	VM2S155C2R5G	VM2S155C2S5G

VM 35 - 150 HIGH PRESSURE SODIUM - EZ ADAPTER ②										
DESCRIPTION				5-1/2" OPTIC THREAD SIZE ②			7-3/4" OPTIC THREAD SIZE ②			
WATTS	ANSI	HUB SIZE ③	VOLTAGE ④	GLOBE & GUARD	TYPE I GLASS REFRACTOR & GUARD	TYPE V GLASS REFRACTOR & GUARD	GLOBE & GUARD	TYPE I GLASS REFRACTOR & GUARD	TYPE V GLASS REFRACTOR & GUARD	12" SPIN-TOP TYPE V REFRACTOR & GUARD
35	S76	⑥	120V	VM1S031EZGLG	VM1S031EZR1G	VM1S031EZR5G	VM2S031EZGLG	VM2S031EZR1G	VM2S031EZR5G	VM2S031Ezs5G
50	S68	⑥	Quad	VM1S050EZGLG	VM1S050EZR1G	VM1S050EZR5G	VM2S050EZGLG	VM2S050EZR1G	VM2S050EZR5G	VM2S050Ezs5G
70	S62	⑥	Quad Tri 480	VM1S070EZGLG	VM1S070EZR1G	VM1S070EZR5G	VM2S070EZGLG	VM2S070EZR1G	VM2S070EZR5G	VM2S070Ezs5G
				VM1S076EZGLG	VM1S076EZR1G	VM1S076EZR5G	VM2S076EZGLG	VM2S076EZR1G	VM2S076EZR5G	VM2S076Ezs5G
				VM1S075EZGLG	VM1S075EZR1G	VM1S075EZR5G	VM2S075EZGLG	VM2S075EZR1G	VM2S075EZR5G	VM2S075Ezs5G
100	S54	⑥	Quad Tri 480	VM1S100EZGLG	VM1S100EZR1G	VM1S100EZR5G	VM2S100EZGLG	VM2S100EZR1G	VM2S100EZR5G	VM2S100Ezs5G
				VM1S106EZGLG	VM1S106EZR1G	VM1S106EZR5G	VM2S106EZGLG	VM2S106EZR1G	VM2S106EZR5G	VM2S106Ezs5G
				VM1S105EZGLG	VM1S105EZR1G	VM1S105EZR5G	VM2S105EZGLG	VM2S105EZR1G	VM2S105EZR5G	VM2S105Ezs5G
150	S55	⑥	Quad Tri 480	VM1S150EZGLG	VM1S150EZR1G	VM1S150EZR5G	VM2S150EZGLG	VM2S150EZR1G	VM2S150EZR5G	VM2S150Ezs5G
				VM1S156EZGLG	VM1S156EZR1G	VM1S156EZR5G	VM2S156EZGLG	VM2S156EZR1G	VM2S156EZR5G	VM2S156Ezs5G
				VM1S155EZGLG	VM1S155EZR1G	VM1S155EZR5G	VM2S155EZGLG	VM2S155EZR1G	VM2S155EZR5G	VM2S155Ezs5G

① See hazardous location data pages L131 - L140 for application suitability.  
 ② Catalog numbers shown are with Guard; to omit guard change ending G to N; e.g. VM1S050C2GLN.  
 ③ Catalog numbers shown are with 3/4" conduit openings; change "2" to "3" for 1" e.g. VM1S050C3GLG.  
 ④ Consult catalog logic for other available voltage & lamp combinations.  
 ⑤ Add suffix NR for AEx nR Restricted Breathing; see page L84 for more information (cULus only)  
 ⑥ VMEZA tank adapters UL "classified" as an assembly for use between VM tanks and EZ mounts. Order EZ mounts separately. See page L101.



HIGH PRESSURE SODIUM, 35-150W MEDIUM BASE HID



VM1 Stanchion 25°  
w/5-1/2"  
Globe & Guard



VM2 Stanchion 25°  
w/7-3/4"  
Globe & Guard



VM1 Stanchion  
Straight  
w/5-1/2"  
Refractor & Guard



VM2 Stanchion  
Straight  
w/7-3/4"  
Refractor & Guard

VM 35 - 150 HIGH PRESSURE SODIUM - STANCHION 25° ANGLE										
DESCRIPTION				5-1/2" OPTIC THREAD SIZE <sup>②</sup>			7-3/4" OPTIC THREAD SIZE <sup>②</sup>			
WATTS	ANSI	HUB SIZE <sup>③</sup>	VOLTAGE <sup>④</sup>	GLOBE & GUARD	TYPE I GLASS REFRACTOR & GUARD	TYPE V GLASS REFRACTOR & GUARD	GLOBE & GUARD	TYPE I GLASS REFRACTOR & GUARD	TYPE V GLASS REFRACTOR & GUARD	12" SPIN-TOP TYPE V REFRACTOR & GUARD
35	S76	1-1/2"	120V	VM1S031D5GLG	VM1S031D5R1G	VM1S031D5R5G	VM2S031D5GLG	VM2S031D5R1G	VM2S031D5R5G	VM2S031D5S5G
50	S68	1-1/2"	Quad	VM1S050D5GLG	VM1S050D5R1G	VM1S050D5R5G	VM2S050D5GLG	VM2S050D5R1G	VM2S050D5R5G	VM2S050D5S5G
70	S62	1-1/2"	Quad Tri 480	VM1S070D5GLG	VM1S070D5R1G	VM1S070D5R5G	VM2S070D5GLG	VM2S070D5R1G	VM2S070D5R5G	VM2S070D5S5G
				VM1S076D5GLG	VM1S076D5R1G	VM1S076D5R5G	VM2S076D5GLG	VM2S076D5R1G	VM2S076D5R5G	VM2S076D5S5G
				VM1S075D5GLG	VM1S075D5R1G	VM1S075D5R5G	VM2S075D5GLG	VM2S075D5R1G	VM2S075D5R5G	VM2S075D5S5G
100	S54	1-1/2"	Quad Tri 480	VM1S100D5GLG	VM1S100D5R1G	VM1S100D5R5G	VM2S100D5GLG	VM2S100D5R1G	VM2S100D5R5G	VM2S100D5S5G
				VM1S106D5GLG	VM1S106D5R1G	VM1S106D5R5G	VM2S106D5GLG	VM2S106D5R1G	VM2S106D5R5G	VM2S106D5S5G
				VM1S105D5GLG	VM1S105D5R1G	VM1S105D5R5G	VM2S105D5GLG	VM2S105D5R1G	VM2S105D5R5G	VM2S105D5S5G
150	S55	1-1/2"	Quad Tri 480	VM1S150D5GLG	VM1S150D5R1G	VM1S150D5R5G	VM2S150D5GLG	VM2S150D5R1G	VM2S150D5R5G	VM2S150D5S5G
				VM1S156D5GLG	VM1S156D5R1G	VM1S156D5R5G	VM2S156D5GLG	VM2S156D5R1G	VM2S156D5R5G	VM2S156D5S5G
				VM1S155D5GLG	VM1S155D5R1G	VM1S155D5R5G	VM2S155D5GLG	VM2S155D5R1G	VM2S155D5R5G	VM2S155D5S5G

VM 35 - 150 HIGH PRESSURE SODIUM - STANCHION STRAIGHT										
DESCRIPTION				5-1/2" OPTIC THREAD SIZE <sup>②</sup>			7-3/4" OPTIC THREAD SIZE <sup>②</sup>			
WATTS	ANSI	HUB SIZE <sup>③</sup>	VOLTAGE <sup>④</sup>	GLOBE & GUARD	TYPE I GLASS REFRACTOR & GUARD	TYPE V GLASS REFRACTOR & GUARD	GLOBE & GUARD	TYPE I GLASS REFRACTOR & GUARD	TYPE V GLASS REFRACTOR & GUARD	12" SPIN-TOP TYPE V REFRACTOR & GUARD
35	S76	1-1/2"	120V	VM1S031S5GLG	VM1S031S5R1G	VM1S031S5R5G	VM2S031S5GLG	VM2S031S5R1G	VM2S031S5R5G	VM2S031S5S5G
50	S68	1-1/2"	Quad	VM1S050S5GLG	VM1S050S5R1G	VM1S050S5R5G	VM2S050S5GLG	VM2S050S5R1G	VM2S050S5R5G	VM2S050S5S5G
70	S62	1-1/2"	Quad Tri 480	VM1S070S5GLG	VM1S070S5R1G	VM1S070S5R5G	VM2S070S5GLG	VM2S070S5R1G	VM2S070S5R5G	VM2S070S5S5G
				VM1S076S5GLG	VM1S076S5R1G	VM1S076S5R5G	VM2S076S5GLG	VM2S076S5R1G	VM2S076S5R5G	VM2S076S5S5G
				VM1S075S5GLG	VM1S075S5R1G	VM1S075S5R5G	VM2S075S5GLG	VM2S075S5R1G	VM2S075S5R5G	VM2S075S5S5G
100	S54	1-1/2"	Quad Tri 480	VM1S100S5GLG	VM1S100S5R1G	VM1S100S5R5G	VM2S100S5GLG	VM2S100S5R1G	VM2S100S5R5G	VM2S100S5S5G
				VM1S106S5GLG	VM1S106S5R1G	VM1S106S5R5G	VM2S106S5GLG	VM2S106S5R1G	VM2S106S5R5G	VM2S106S5S5G
				VM1S105S5GLG	VM1S105S5R1G	VM1S105S5R5G	VM2S105S5GLG	VM2S105S5R1G	VM2S105S5R5G	VM2S105S5S5G
150	S55	1-1/2"	Quad Tri 480	VM1S150S5GLG	VM1S150S5R1G	VM1S150S5R5G	VM2S150S5GLG	VM2S150S5R1G	VM2S150S5R5G	VM2S150S5S5G
				VM1S156S5GLG	VM1S156S5R1G	VM1S156S5R5G	VM2S156S5GLG	VM2S156S5R1G	VM2S156S5R5G	VM2S156S5S5G
				VM1S155S5GLG	VM1S155S5R1G	VM1S155S5R5G	VM2S155S5GLG	VM2S155S5R1G	VM2S155S5R5G	VM2S155S5S5G

① See hazardous location data pages L131 - L140 for application suitability.  
 ② Catalog numbers shown are with Guard; to omit guard change ending G to N; e.g. VM1S050D5GLN.  
 ③ Catalog numbers shown are with 1-1/2" conduit openings; change "5" to "4" for 1-1/4" e.g. VM1S050D4GLG.  
 ④ Consult catalog logic for other available voltage & lamp combinations.  
 ⑤ Add suffix NR for AEx nR Restricted Breathing; see page L84 for more information (cULus only)

# LIGHTING

## CERTILITE® V SERIES



### METAL HALIDE/METAL HALIDE PULSE, 50-175W MEDIUM BASE HID



**VM1 Pendant**  
w/5-1/2"  
Globe & Guard



**VM2 Pendant**  
w/7-3/4"  
Globe & Guard



**VM1 Flexible Pendant**  
w/5-1/2"  
Refractor & Guard



**VM2 Flexible Pendant**  
w/7-3/4"  
Refractor & Guard

**Class I, Div. 2, Groups A,B,C,D<sup>①</sup>**  
**Class I, Zone 2, Groups IIC, IIB, IIA**  
**Class II, Div. 1 & 2, Groups E,F,G**  
**Class III**  
**Suitable for wet locations**  
**NEMA 3, 4, 4X**  
**IP66**  
 cUL<sup>®</sup> LISTED - File E10514 (Hazardous & Marine)  
 cSB<sup>®</sup> US Certified - File LR11713  
**NR Restricted Breathing Option<sup>⑤</sup>**  
**Class I, Zone 2 AEx nAnR<sup>⑥</sup>**  
**Class I, Zone 2 Ex nR<sup>⑥</sup>**

VM 50 - 175 METAL HALIDE (PULSE * *) - PENDANT										
DESCRIPTION				5-1/2" OPTIC THREAD SIZE ②			7-3/4" OPTIC THREAD SIZE ②			
WATTS	ANSI	HUB SIZE ③	VOLTAGE ④	GLOBE & GUARD	TYPE I GLASS REFRACTOR & GUARD	TYPE V GLASS REFRACTOR & GUARD	GLOBE & GUARD	TYPE I GLASS REFRACTOR & GUARD	TYPE V GLASS REFRACTOR & GUARD	12" SPIN-TOP TYPE V REFRACTOR & GUARD
50	M110	3/4"	Quad Tri	VM1H050A2GLG	VM1H050A2R1G	VM1H050A2R5G	VM2H050A2GLG	VM2H050A2R1G	VM2H050A2R5G	VM2H050A2S5G
				VM1H056A2GLG	VM1H056A2R1G	VM1H056A2R5G	VM2H056A2GLG	VM2H056A2R1G	VM2H056A2R5G	VM2H056A2S5G
70	M98	3/4"	Quad Tri 480	VM1H070A2GLG	VM1H070A2R1G	VM1H070A2R5G	VM2H070A2GLG	VM2H070A2R1G	VM2H070A2R5G	VM2H070A2S5G
				VM1H076A2GLG	VM1H076A2R1G	VM1H076A2R5G	VM2H076A2GLG	VM2H076A2R1G	VM2H076A2R5G	VM2H076A2S5G
				VM1H075A2GLG	VM1H075A2R1G	VM1H075A2R5G	VM2H075A2GLG	VM2H075A2R1G	VM2H075A2R5G	VM2H075A2S5G
100	M90	3/4"	Quad Tri 480	VM1H100A2GLG	VM1H100A2R1G	VM1H100A2R5G	VM2H100A2GLG	VM2H100A2R1G	VM2H100A2R5G	VM2H100A2S5G
				VM1H106A2GLG	VM1H106A2R1G	VM1H106A2R5G	VM2H106A2GLG	VM2H106A2R1G	VM2H106A2R5G	VM2H106A2S5G
				VM1H105A2GLG	VM1H105A2R1G	VM1H105A2R5G	VM2H105A2GLG	VM2H105A2R1G	VM2H105A2R5G	VM2H105A2S5G
150	M102 M142	3/4"	Quad Tri 480	VM1P150A2GLG	VM1P150A2R1G	VM1P150A2R5G	VM2P150A2GLG	VM2P150A2R1G	VM2P150A2R5G	VM2P150A2S5G
				VM1P156A2GLG	VM1P156A2R1G	VM1P156A2R5G	VM2P156A2GLG	VM2P156A2R1G	VM2P156A2R5G	VM2P156A2S5G
				VM1P155A2GLG	VM1P155A2R1G	VM1P155A2R5G	VM2P155A2GLG	VM2P155A2R1G	VM2P155A2R5G	VM2P155A2S5G
175	M137 M152	3/4"	Quad Tri 480	VM1P170A2GLG	VM1P170A2R1G	VM1P170A2R5G	VM2P170A2GLG	VM2P170A2R1G	VM2P170A2R5G	VM2P170A2S5G
				VM1P176A2GLG	VM1P176A2R1G	VM1P176A2R5G	VM2P176A2GLG	VM2P176A2R1G	VM2P176A2R5G	VM2P176A2S5G
				VM1P175A2GLG	VM1P175A2R1G	VM1P175A2R5G	VM2P175A2GLG	VM2P175A2R1G	VM2P175A2R5G	VM2P175A2S5G

VM 50 - 175 METAL HALIDE (PULSE * *) - FLEX PENDANT										
DESCRIPTION				5-1/2" OPTIC THREAD SIZE ②			7-3/4" OPTIC THREAD SIZE ②			
WATTS	ANSI	HUB SIZE ③	VOLTAGE ④	GLOBE & GUARD	TYPE I GLASS REFRACTOR & GUARD	TYPE V GLASS REFRACTOR & GUARD	GLOBE & GUARD	TYPE I GLASS REFRACTOR & GUARD	TYPE V GLASS REFRACTOR & GUARD	12" SPIN-TOP TYPE V REFRACTOR & GUARD
50	M110	3/4"	Quad Tri	VM1H050F2GLG	VM1H050F2R1G	VM1H050F2R5G	VM2H050F2GLG	VM2H050F2R1G	VM2H050F2R5G	VM2H050F2S5G
				VM1H056F2GLG	VM1H056F2R1G	VM1H056F2R5G	VM2H056F2GLG	VM2H056F2R1G	VM2H056F2R5G	VM2H056F2S5G
70	M98	3/4"	Quad Tri 480	VM1H070F2GLG	VM1H070F2R1G	VM1H070F2R5G	VM2H070F2GLG	VM2H070F2R1G	VM2H070F2R5G	VM2H070F2S5G
				VM1H076F2GLG	VM1H076F2R1G	VM1H076F2R5G	VM2H076F2GLG	VM2H076F2R1G	VM2H076F2R5G	VM2H076F2S5G
				VM1H075F2GLG	VM1H075F2R1G	VM1H075F2R5G	VM2H075F2GLG	VM2H075F2R1G	VM2H075F2R5G	VM2H075F2S5G
100	M90	3/4"	Quad Tri 480	VM1H100F2GLG	VM1H100F2R1G	VM1H100F2R5G	VM2H100F2GLG	VM2H100F2R1G	VM2H100F2R5G	VM2H100F2S5G
				VM1H106F2GLG	VM1H106F2R1G	VM1H106F2R5G	VM2H106F2GLG	VM2H106F2R1G	VM2H106F2R5G	VM2H106F2S5G
				VM1H105F2GLG	VM1H105F2R1G	VM1H105F2R5G	VM2H105F2GLG	VM2H105F2R1G	VM2H105F2R5G	VM2H105F2S5G
150	M102 M142	3/4"	Quad Tri 480	VM1P150F2GLG	VM1P150F2R1G	VM1P150F2R5G	VM2P150F2GLG	VM2P150F2R1G	VM2P150F2R5G	VM2P150F2S5G
				VM1P156F2GLG	VM1P156F2R1G	VM1P156F2R5G	VM2P156F2GLG	VM2P156F2R1G	VM2P156F2R5G	VM2P156F2S5G
				VM1P155F2GLG	VM1P155F2R1G	VM1P155F2R5G	VM2P155F2GLG	VM2P155F2R1G	VM2P155F2R5G	VM2P155F2S5G
175	M137 M152	3/4"	Quad Tri 480	VM1P170F2GLG	VM1P170F2R1G	VM1P170F2R5G	VM2P170F2GLG	VM2P170F2R1G	VM2P170F2R5G	VM2P170F2S5G
				VM1P176F2GLG	VM1P176F2R1G	VM1P176F2R5G	VM2P176F2GLG	VM2P176F2R1G	VM2P176F2R5G	VM2P176F2S5G
				VM1P175F2GLG	VM1P175F2R1G	VM1P175F2R5G	VM2P175F2GLG	VM2P175F2R1G	VM2P175F2R5G	VM2P175F2S5G

① See hazardous location data pages L131 - L140 for application suitability.  
 ② Catalog numbers shown are with Guard; to omit guard change ending G to N; e.g. VM1H050A2GLN.  
 ③ Catalog numbers shown are with 3/4" conduit openings; change "2" to "3" for 1" e.g. VM1H050A3GLG.  
 ④ Consult catalog logic for other available voltage & lamp combinations.  
 ⑤ Add suffix NR for AEx nR Restricted Breathing; see page L84 for more information (cUL<sup>®</sup> only)  
 \*\* 50, 70, & 100 Watt "Traditional Metal Halide" ballasts include a Pulse Ignitor, as do 150 & 175W Metal Halide Pulse models.



METAL HALIDE/METAL HALIDE PULSE, 50-175W MEDIUM BASE HID



VM1 Ceiling  
w/5-1/2"  
Globe & Guard



VM2 Ceiling  
w/7-3/4"  
Globe & Guard



VM1 Wall  
w/5-1/2"  
Refractor & Guard



VM2 Wall  
w/7-3/4"  
Refractor & Guard

VM 50 - 175 METAL HALIDE (PULSE * *) - CEILING										
DESCRIPTION				5-1/2" OPTIC THREAD SIZE ②			7-3/4" OPTIC THREAD SIZE ②			
WATTS	ANSI	HUB SIZE ③	VOLTAGE ④	GLOBE & GUARD	TYPE I GLASS REFRACTOR & GUARD	TYPE V GLASS REFRACTOR & GUARD	GLOBE & GUARD	TYPE I GLASS REFRACTOR & GUARD	TYPE V GLASS REFRACTOR & GUARD	12" SPIN-TOP TYPE V REFRACTOR & GUARD
50	M110	3/4"	Quad Tri	VM1H050X2GLG	VM1H050X2R1G	VM1H050X2R5G	VM2H050X2GLG	VM2H050X2R1G	VM2H050X2R5G	VM2H050X2S5G
				VM1H056X2GLG	VM1H056X2R1G	VM1H056X2R5G	VM2H056X2GLG	VM2H056X2R1G	VM2H056X2R5G	VM2H056X2S5G
70	M98	3/4"	Quad Tri 480	VM1H070X2GLG	VM1H070X2R1G	VM1H070X2R5G	VM2H070X2GLG	VM2H070X2R1G	VM2H070X2R5G	VM2H070X2S5G
				VM1H076X2GLG	VM1H076X2R1G	VM1H076X2R5G	VM2H076X2GLG	VM2H076X2R1G	VM2H076X2R5G	VM2H076X2S5G
				VM1H075X2GLG	VM1H075X2R1G	VM1H075X2R5G	VM2H075X2GLG	VM2H075X2R1G	VM2H075X2R5G	VM2H075X2S5G
100	M90	3/4"	Quad Tri 480	VM1H100X2GLG	VM1H100X2R1G	VM1H100X2R5G	VM2H100X2GLG	VM2H100X2R1G	VM2H100X2R5G	VM2H100X2S5G
				VM1H106X2GLG	VM1H106X2R1G	VM1H106X2R5G	VM2H106X2GLG	VM2H106X2R1G	VM2H106X2R5G	VM2H106X2S5G
				VM1H105X2GLG	VM1H105X2R1G	VM1H105X2R5G	VM2H105X2GLG	VM2H105X2R1G	VM2H105X2R5G	VM2H105X2S5G
150	M102 M142	3/4"	Quad Tri 480	VM1P150X2GLG	VM1P150X2R1G	VM1P150X2R5G	VM2P150X2GLG	VM2P150X2R1G	VM2P150X2R5G	VM2P150X2S5G
				VM1P156X2GLG	VM1P156X2R1G	VM1P156X2R5G	VM2P156X2GLG	VM2P156X2R1G	VM2P156X2R5G	VM2P156X2S5G
				VM1P155X2GLG	VM1P155X2R1G	VM1P155X2R5G	VM2P155X2GLG	VM2P155X2R1G	VM2P155X2R5G	VM2P155X2S5G
175	M137 M152	3/4"	Quad Tri 480	VM1P170X2GLG	VM1P170X2R1G	VM1P170X2R5G	VM2P170X2GLG	VM2P170X2R1G	VM2P170X2R5G	VM2P170X2S5G
				VM1P176X2GLG	VM1P176X2R1G	VM1P176X2R5G	VM2P176X2GLG	VM2P176X2R1G	VM2P176X2R5G	VM2P176X2S5G
				VM1P175X2GLG	VM1P175X2R1G	VM1P175X2R5G	VM2P175X2GLG	VM2P175X2R1G	VM2P175X2R5G	VM2P175X2S5G

VM 50 - 175 METAL HALIDE (PULSE * *) - WALL										
DESCRIPTION				5-1/2" OPTIC THREAD SIZE ②			7-3/4" OPTIC THREAD SIZE ②			
WATTS	ANSI	HUB SIZE ③	VOLTAGE ④	GLOBE & GUARD	TYPE I GLASS REFRACTOR & GUARD	TYPE V GLASS REFRACTOR & GUARD	GLOBE & GUARD	TYPE I GLASS REFRACTOR & GUARD	TYPE V GLASS REFRACTOR & GUARD	12" SPIN-TOP TYPE V REFRACTOR & GUARD
50	M110	3/4"	Quad Tri	VM1H050B2GLG	VM1H050B2R1G	VM1H050B2R5G	VM2H050B2GLG	VM2H050B2R1G	VM2H050B2R5G	VM2H050B2S5G
				VM1H056B2GLG	VM1H056B2R1G	VM1H056B2R5G	VM2H056B2GLG	VM2H056B2R1G	VM2H056B2R5G	VM2H056B2S5G
70	M98	3/4"	Quad Tri 480	VM1H070B2GLG	VM1H070B2R1G	VM1H070B2R5G	VM2H070B2GLG	VM2H070B2R1G	VM2H070B2R5G	VM2H070B2S5G
				VM1H076B2GLG	VM1H076B2R1G	VM1H076B2R5G	VM2H076B2GLG	VM2H076B2R1G	VM2H076B2R5G	VM2H076B2S5G
				VM1H075B2GLG	VM1H075B2R1G	VM1H075B2R5G	VM2H075B2GLG	VM2H075B2R1G	VM2H075B2R5G	VM2H075B2S5G
100	M90	3/4"	Quad Tri 480	VM1H100B2GLG	VM1H100B2R1G	VM1H100B2R5G	VM2H100B2GLG	VM2H100B2R1G	VM2H100B2R5G	VM2H100B2S5G
				VM1H106B2GLG	VM1H106B2R1G	VM1H106B2R5G	VM2H106B2GLG	VM2H106B2R1G	VM2H106B2R5G	VM2H106B2S5G
				VM1H105B2GLG	VM1H105B2R1G	VM1H105B2R5G	VM2H105B2GLG	VM2H105B2R1G	VM2H105B2R5G	VM2H105B2S5G
150	M102 M142	3/4"	Quad Tri 480	VM1P150B2GLG	VM1P150B2R1G	VM1P150B2R5G	VM2P150B2GLG	VM2P150B2R1G	VM2P150B2R5G	VM2P150B2S5G
				VM1P156B2GLG	VM1P156B2R1G	VM1P156B2R5G	VM2P156B2GLG	VM2P156B2R1G	VM2P156B2R5G	VM2P156B2S5G
				VM1P155B2GLG	VM1P155B2R1G	VM1P155B2R5G	VM2P155B2GLG	VM2P155B2R1G	VM2P155B2R5G	VM2P155B2S5G
175	M137 M152	3/4"	Quad Tri 480	VM1P170B2GLG	VM1P170B2R1G	VM1P170B2R5G	VM2P170B2GLG	VM2P170B2R1G	VM2P170B2R5G	VM2P170B2S5G
				VM1P176B2GLG	VM1P176B2R1G	VM1P176B2R5G	VM2P176B2GLG	VM2P176B2R1G	VM2P176B2R5G	VM2P176B2S5G
				VM1P175B2GLG	VM1P175B2R1G	VM1P175B2R5G	VM2P175B2GLG	VM2P175B2R1G	VM2P175B2R5G	VM2P175B2S5G

① See hazardous location data pages L131 - L140 for application suitability.  
 ② Catalog numbers shown are with Guard; to omit guard change ending G to N; e.g. VM1H050X2GLN.  
 ③ Catalog numbers shown are with 3/4" conduit openings; change "2" to "3" for 1" e.g. VM1H050X3GLG.  
 ④ Consult catalog logic for other available voltage & lamp combinations.  
 ⑤ Add suffix NR for AEx nR Restricted Breathing; see page L84 for more information (UL only)  
 \*\* 50, 70, & 100 Watt "Traditional Metal Halide" ballasts include a Pulse Ignitor, as do 150 & 175W Metal Halide Pulse models.



# LIGHTING

CERTILITE® V SERIES



METAL HALIDE/METAL HALIDE PULSE, 50-175W MEDIUM BASE HID



VM1 Cone  
w/5-1/2"  
Globe & Guard



VM2 Cone  
w/7-3/4"  
Globe & Guard



VM1 EZ Adapter  
w/5-1/2"  
Refractor & Guard



VM2 EZ Adapter  
w/7-3/4"  
Refractor & Guard

VM 50 - 175 METAL HALIDE (PULSE**) - CONE											
DESCRIPTION				5-1/2" OPTIC THREAD SIZE ②			7-3/4" OPTIC THREAD SIZE ②				
WATTS	ANSI	HUB SIZE ③	VOLTAGE ④	GLOBE & GUARD	TYPE I GLASS REFRACTOR & GUARD	TYPE V GLASS REFRACTOR & GUARD	GLOBE & GUARD	TYPE I GLASS REFRACTOR & GUARD	TYPE V GLASS REFRACTOR & GUARD	12" SPIN-TOP TYPE V REFRACTOR & GUARD	
50	M110	3/4"	Quad Tri	VM1H050C2GLG	VM1H050C2R1G	VM1H050C2R5G	VM2H050C2GLG	VM2H050C2R1G	VM2H050C2R5G	VM2H050C2S5G	
				VM1H056C2GLG	VM1H056C2R1G	VM1H056C2R5G	VM2H056C2GLG	VM2H056C2R1G	VM2H056C2R5G	VM2H056C2S5G	
70	M98	3/4"	Quad Tri 480	VM1H070C2GLG	VM1H070C2R1G	VM1H070C2R5G	VM2H070C2GLG	VM2H070C2R1G	VM2H070C2R5G	VM2H070C2S5G	
				VM1H076C2GLG	VM1H076C2R1G	VM1H076C2R5G	VM2H076C2GLG	VM2H076C2R1G	VM2H076C2R5G	VM2H076C2S5G	
				VM1H075C2GLG	VM1H075C2R1G	VM1H075C2R5G	VM2H075C2GLG	VM2H075C2R1G	VM2H075C2R5G	VM2H075C2S5G	
100	M90	3/4"	Quad Tri 480	VM1H100C2GLG	VM1H100C2R1G	VM1H100C2R5G	VM2H100C2GLG	VM2H100C2R1G	VM2H100C2R5G	VM2H100C2S5G	
				VM1H106C2GLG	VM1H106C2R1G	VM1H106C2R5G	VM2H106C2GLG	VM2H106C2R1G	VM2H106C2R5G	VM2H106C2S5G	
				VM1H105C2GLG	VM1H105C2R1G	VM1H105C2R5G	VM2H105C2GLG	VM2H105C2R1G	VM2H105C2R5G	VM2H105C2S5G	
150	"M102 M142"	3/4"	Quad Tri 480	VM1P150C2GLG	VM1P150C2R1G	VM1P150C2R5G	VM2P150C2GLG	VM2P150C2R1G	VM2P150C2R5G	VM2P150C2S5G	
				VM1P156C2GLG	VM1P156C2R1G	VM1P156C2R5G	VM2P156C2GLG	VM2P156C2R1G	VM2P156C2R5G	VM2P156C2S5G	
				VM1P155C2GLG	VM1P155C2R1G	VM1P155C2R5G	VM2P155C2GLG	VM2P155C2R1G	VM2P155C2R5G	VM2P155C2S5G	
175	"M137 M152"	3/4"	Quad Tri 480	VM1P170C2GLG	VM1P170C2R1G	VM1P170C2R5G	VM2P170C2GLG	VM2P170C2R1G	VM2P170C2R5G	VM2P170C2S5G	
				VM1P176C2GLG	VM1P176C2R1G	VM1P176C2R5G	VM2P176C2GLG	VM2P176C2R1G	VM2P176C2R5G	VM2P176C2S5G	
				VM1P175C2GLG	VM1P175C2R1G	VM1P175C2R5G	VM2P175C2GLG	VM2P175C2R1G	VM2P175C2R5G	VM2P175C2S5G	

VM 50 - 175 METAL HALIDE (PULSE**) - EZ ADAPTER ⑥											
DESCRIPTION				5-1/2" OPTIC THREAD SIZE ②			7-3/4" OPTIC THREAD SIZE ②				
WATTS	ANSI	HUB SIZE ③	VOLTAGE ④	GLOBE & GUARD	TYPE I GLASS REFRACTOR & GUARD	TYPE V GLASS REFRACTOR & GUARD	GLOBE & GUARD	TYPE I GLASS REFRACTOR & GUARD	TYPE V GLASS REFRACTOR & GUARD	12" SPIN-TOP TYPE V REFRACTOR & GUARD	
50	M110	⑥	Quad Tri	VM1H050EZGLG	VM1H050EZR1G	VM1H050EZR5G	VM2H050EZGLG	VM2H050EZR1G	VM2H050EZR5G	VM2H050EZS5G	
				VM1H056EZGLG	VM1H056EZR1G	VM1H056EZR5G	VM2H056EZGLG	VM2H056EZR1G	VM2H056EZR5G	VM2H056EZS5G	
70	M98	⑥	Quad Tri 480	VM1H070EZGLG	VM1H070EZR1G	VM1H070EZR5G	VM2H070EZGLG	VM2H070EZR1G	VM2H070EZR5G	VM2H070EZS5G	
				VM1H076EZGLG	VM1H076EZR1G	VM1H076EZR5G	VM2H076EZGLG	VM2H076EZR1G	VM2H076EZR5G	VM2H076EZS5G	
				VM1H075EZGLG	VM1H075EZR1G	VM1H075EZR5G	VM2H075EZGLG	VM2H075EZR1G	VM2H075EZR5G	VM2H075EZS5G	
100	M90	⑥	Quad Tri 480	VM1H100EZGLG	VM1H100EZR1G	VM1H100EZR5G	VM2H100EZGLG	VM2H100EZR1G	VM2H100EZR5G	VM2H100EZS5G	
				VM1H106EZGLG	VM1H106EZR1G	VM1H106EZR5G	VM2H106EZGLG	VM2H106EZR1G	VM2H106EZR5G	VM2H106EZS5G	
				VM1H105EZGLG	VM1H105EZR1G	VM1H105EZR5G	VM2H105EZGLG	VM2H105EZR1G	VM2H105EZR5G	VM2H105EZS5G	
150	M102 M142	⑥	Quad Tri 480	VM1P150EZGLG	VM1P150EZR1G	VM1P150EZR5G	VM2P150EZGLG	VM2P150EZR1G	VM2P150EZR5G	VM2P150EZS5G	
				VM1P156EZGLG	VM1P156EZR1G	VM1P156EZR5G	VM2P156EZGLG	VM2P156EZR1G	VM2P156EZR5G	VM2P156EZS5G	
				VM1P155EZGLG	VM1P155EZR1G	VM1P155EZR5G	VM2P155EZGLG	VM2P155EZR1G	VM2P155EZR5G	VM2P155EZS5G	
175	M137 M152	⑥	Quad Tri 480	VM1P170EZGLG	VM1P170EZR1G	VM1P170EZR5G	VM2P170EZGLG	VM2P170EZR1G	VM2P170EZR5G	VM2P170EZS5G	
				VM1P176EZGLG	VM1P176EZR1G	VM1P176EZR5G	VM2P176EZGLG	VM2P176EZR1G	VM2P176EZR5G	VM2P176EZS5G	
				VM1P175EZGLG	VM1P175EZR1G	VM1P175EZR5G	VM2P175EZGLG	VM2P175EZR1G	VM2P175EZR5G	VM2P175EZS5G	

① See hazardous location data pages L131 - L140 for application suitability.  
 ② Catalog numbers shown are with Guard; to omit guard change ending G to N; e.g. VM1H050A2GLN.  
 ③ Catalog numbers shown are with 3/4" conduit openings; change "2" to "3" for 1" e.g. VM1H050A3GLG.  
 ④ Consult catalog logic for other available voltage & lamp combinations.  
 ⑤ Add suffix NR for AEx nR Restricted Breathing; see page L84 for more information (Ⓢ is only)  
 \*\* 50, 70, & 100 Watt "Traditional Metal Halide" ballasts include a Pulse Ignitor, as do 150 & 175W Metal Halide Pulse models.



METAL HALIDE/METAL HALIDE PULSE, 50-175W MEDIUM BASE HID



VM1 Stanchion 25°  
w/5-1/2"  
Globe & Guard



VM2 Stanchion 25°  
w/7-3/4"  
Globe & Guard



VM1 Stanchion Straight  
w/5-1/2"  
Refractor & Guard



VM2 Stanchion Straight  
w/7-3/4"  
Refractor & Guard

VM 50 - 175 METAL HALIDE (PULSE**) - STANCHION 25° ANGLE											
DESCRIPTION				5-1/2" OPTIC THREAD SIZE ②				7-3/4" OPTIC THREAD SIZE ②			
WATTS	ANSI	HUB SIZE ③	VOLTAGE ④	GLOBE & GUARD	TYPE I GLASS REFRACTOR & GUARD	TYPE V GLASS REFRACTOR & GUARD	GLOBE & GUARD	TYPE I GLASS REFRACTOR & GUARD	TYPE V GLASS REFRACTOR & GUARD	12" SPIN-TOP TYPE V REFRACTOR & GUARD	
50	M110	1-1/2"	Quad Tri	VM1H050D5GLG	VM1H050D5R1G	VM1H050D5R5G	VM2H050D5GLG	VM2H050D5R1G	VM2H050D5R5G	VM2H050D5S5G	
				VM1H056D5GLG	VM1H056D5R1G	VM1H056D5R5G	VM2H056D5GLG	VM2H056D5R1G	VM2H056D5R5G	VM2H056D5S5G	
70	M98	1-1/2"	Quad Tri 480	VM1H070D5GLG	VM1H070D5R1G	VM1H070D5R5G	VM2H070D5GLG	VM2H070D5R1G	VM2H070D5R5G	VM2H070D5S5G	
				VM1H076D5GLG	VM1H076D5R1G	VM1H076D5R5G	VM2H076D5GLG	VM2H076D5R1G	VM2H076D5R5G	VM2H076D5S5G	
				VM1H075D5GLG	VM1H075D5R1G	VM1H075D5R5G	VM2H075D5GLG	VM2H075D5R1G	VM2H075D5R5G	VM2H075D5S5G	
100	M90	1-1/2"	Quad Tri 480	VM1H100D5GLG	VM1H100D5R1G	VM1H100D5R5G	VM2H100D5GLG	VM2H100D5R1G	VM2H100D5R5G	VM2H100D5S5G	
				VM1H106D5GLG	VM1H106D5R1G	VM1H106D5R5G	VM2H106D5GLG	VM2H106D5R1G	VM2H106D5R5G	VM2H106D5S5G	
				VM1H105D5GLG	VM1H105D5R1G	VM1H105D5R5G	VM2H105D5GLG	VM2H105D5R1G	VM2H105D5R5G	VM2H105D5S5G	
150	M102 M142	1-1/2"	Quad Tri 480	VM1P150D5GLG	VM1P150D5R1G	VM1P150D5R5G	VM2P150D5GLG	VM2P150D5R1G	VM2P150D5R5G	VM2P150D5S5G	
				VM1P156D5GLG	VM1P156D5R1G	VM1P156D5R5G	VM2P156D5GLG	VM2P156D5R1G	VM2P156D5R5G	VM2P156D5S5G	
				VM1P155D5GLG	VM1P155D5R1G	VM1P155D5R5G	VM2P155D5GLG	VM2P155D5R1G	VM2P155D5R5G	VM2P155D5S5G	
175	M137 M152	1-1/2"	Quad Tri 480	VM1P170D5GLG	VM1P170D5R1G	VM1P170D5R5G	VM2P170D5GLG	VM2P170D5R1G	VM2P170D5R5G	VM2P170D5S5G	
				VM1P176D5GLG	VM1P176D5R1G	VM1P176D5R5G	VM2P176D5GLG	VM2P176D5R1G	VM2P176D5R5G	VM2P176D5S5G	
				VM1P175D5GLG	VM1P175D5R1G	VM1P175D5R5G	VM2P175D5GLG	VM2P175D5R1G	VM2P175D5R5G	VM2P175D5S5G	

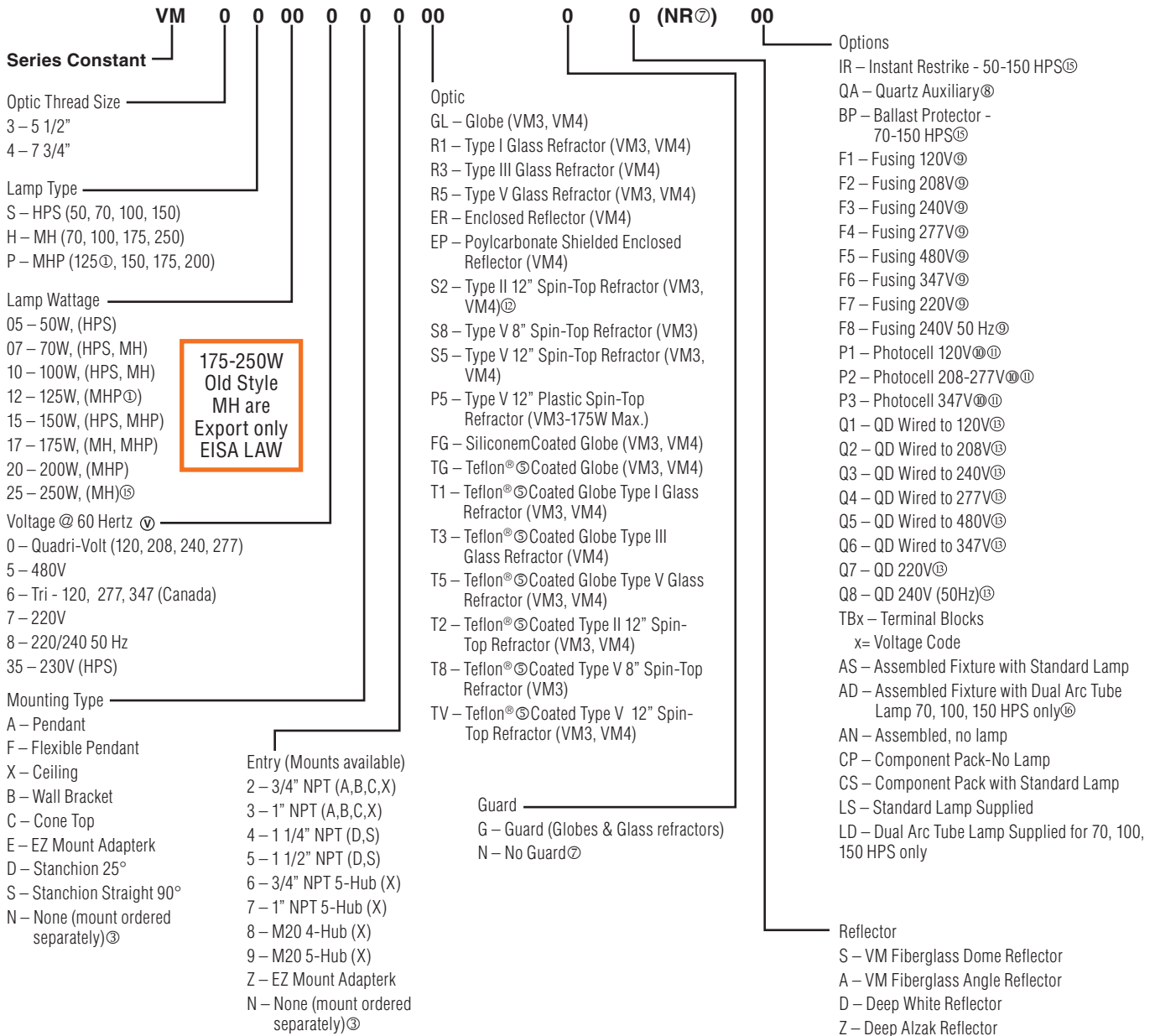
VM 50 - 175 METAL HALIDE (PULSE**) - STANCHION STRAIGHT											
DESCRIPTION				5-1/2" OPTIC THREAD SIZE ②				7-3/4" OPTIC THREAD SIZE ②			
WATTS	ANSI	HUB SIZE ③	VOLTAGE ④	GLOBE & GUARD	TYPE I GLASS REFRACTOR & GUARD	TYPE V GLASS REFRACTOR & GUARD	GLOBE & GUARD	TYPE I GLASS REFRACTOR & GUARD	TYPE V GLASS REFRACTOR & GUARD	12" SPIN-TOP TYPE V REFRACTOR & GUARD	
50	M110	1-1/2"	Quad Tri	VM1H050S5GLG	VM1H050S5R1G	VM1H050S5R5G	VM2H050S5GLG	VM2H050S5R1G	VM2H050S5R5G	VM2H050S5S5G	
				VM1H056S5GLG	VM1H056S5R1G	VM1H056S5R5G	VM2H056S5GLG	VM2H056S5R1G	VM2H056S5R5G	VM2H056S5S5G	
70	M98	1-1/2"	Quad Tri 480	VM1H070S5GLG	VM1H070S5R1G	VM1H070S5R5G	VM2H070S5GLG	VM2H070S5R1G	VM2H070S5R5G	VM2H070S5S5G	
				VM1H076S5GLG	VM1H076S5R1G	VM1H076S5R5G	VM2H076S5GLG	VM2H076S5R1G	VM2H076S5R5G	VM2H076S5S5G	
				VM1H075S5GLG	VM1H075S5R1G	VM1H075S5R5G	VM2H075S5GLG	VM2H075S5R1G	VM2H075S5R5G	VM2H075S5S5G	
100	M90	1-1/2"	Quad Tri 480	VM1H100S5GLG	VM1H100S5R1G	VM1H100S5R5G	VM2H100S5GLG	VM2H100S5R1G	VM2H100S5R5G	VM2H100S5S5G	
				VM1H106S5GLG	VM1H106S5R1G	VM1H106S5R5G	VM2H106S5GLG	VM2H106S5R1G	VM2H106S5R5G	VM2H106S5S5G	
				VM1H105S5GLG	VM1H105S5R1G	VM1H105S5R5G	VM2H105S5GLG	VM2H105S5R1G	VM2H105S5R5G	VM2H105S5S5G	
150	"M102 M142"	1-1/2"	Quad Tri 480	VM1P150S5GLG	VM1P150S5R1G	VM1P150S5R5G	VM2P150S5GLG	VM2P150S5R1G	VM2P150S5R5G	VM2P150S5S5G	
				VM1P156S5GLG	VM1P156S5R1G	VM1P156S5R5G	VM2P156S5GLG	VM2P156S5R1G	VM2P156S5R5G	VM2P156S5S5G	
				VM1P155S5GLG	VM1P155S5R1G	VM1P155S5R5G	VM2P155S5GLG	VM2P155S5R1G	VM2P155S5R5G	VM2P155S5S5G	
175	"M137 M152"	1-1/2"	Quad Tri 480	VM1P170S5GLG	VM1P170S5R1G	VM1P170S5R5G	VM2P170S5GLG	VM2P170S5R1G	VM2P170S5R5G	VM2P170S5S5G	
				VM1P176S5GLG	VM1P176S5R1G	VM1P176S5R5G	VM2P176S5GLG	VM2P176S5R1G	VM2P176S5R5G	VM2P176S5S5G	
				VM1P175S5GLG	VM1P175S5R1G	VM1P175S5R5G	VM2P175S5GLG	VM2P175S5R1G	VM2P175S5R5G	VM2P175S5S5G	

① See hazardous location data pages L131 - L140 for application suitability.  
 ② Catalog numbers shown are with Guard; to omit guard change ending G to N; e.g. VM1H050D4GLN.  
 ③ Catalog numbers shown are with 1-1/2" conduit openings; change "5" to "4" for 1-1/4" e.g. VM1H050D4GLG.  
 ④ Consult catalog logic for other available voltage & lamp combinations.  
 ⑤ Add suffix NR for AEx nR Restricted Breathing; see page L84 for more information (☉ only)  
 \*\* 50, 70, & 100 Watt "Traditional Metal Halide" ballasts include a Pulse Ignitor, as do 150 & 175W Metal Halide Pulse models.



VM3/VM4 CATALOG ORDERING LOGIC

CertiLite® Catalog Number Logic; 50-250 Low Wattage (Mogul Base) HID Fixtures



① Special order lamp type/wattage not shown in grids, minimums apply.  
 ② Completes as "EZ", conduit mounting boxes ordered separately.  
 ③ Silicone coated globe for additional impact protection.  
 ④ Teflon® is a registered trademark of DuPont, Inc. Consult factory for available lamp and voltage combinations.  
 ⑤ Restricted Breathing - See L84 for more information.  
 ⑥ Order Guards for Spin-Tops & VMER40 separately.  
 ⑦ QA not suitable for Class I, Div. 2/Zone 2 applications; consult factory for other hazardous applications.  
 ⑧ Fusing not for Marine or Canadian installations.  
 ⑨ Photo cells for Class I, Div. 2 only, or C1Z2 nR not Class II.  
 ⑩ Field connection to proper tap in case of Multitap Ballasts.  
 ⑪ Not for use with wall or straight (90°) Stanchion.  
 ⑫ QD = Quick Disconnect. Allows easy tank removal for maintenance.  
 ⑬ Electrician simply unplugs de-energized ballast from supply circuit. 220V 60Hz or 230V 50Hz used with QA-requires VM5 tank.  
 ⑭ IR and BP cannot be ordered together.  
 ⑮ Not available with IR or QA. c Ⓢ us



## HIGH PRESSURE SODIUM, 50-150W MOGUL BASE HID



Pendant  
w/ 5-1/2"  
Globe & Guard



Flexible Pendant  
w/ 5-1/2"  
Refractor & Guard



Pendant  
w/ 7-3/4"  
Globe & Guard



Flexible Pendant  
w/ 7-3/4"  
Refractor & Guard



Pendant  
w/ Enclosed Reflector

Class I, Div. 2, Groups A,B,C,D<sup>Ⓢ</sup>  
Class I, Zone 2, Groups IIC, IIB, IIA  
Class II, Div. 1 & 2, Groups E,F,G  
Class III  
Suitable for wet locations  
NEMA 3, 4, 4X  
IP66

US LISTED - File E10514 (Hazardous & Marine)  
 US Certified - File LR11713

NR Restricted Breathing Option<sup>Ⓢ</sup>  
Class I, Zone 2 AEx nAnR  
Class I, Zone 2 Ex nR US

VM 50 - 150 WATT HIGH PRESSURE SODIUM PENDANT										
DESCRIPTION				5-1/2" OPTIC THREAD SIZE <sup>Ⓢ</sup>			7-3/4" OPTIC THREAD SIZE <sup>Ⓢ</sup>			
WATTS	ANSI	HUB SIZE <sup>Ⓢ</sup>	VOLTAGE <sup>Ⓢ</sup>	GLOBE & GUARD	TYPE I GLASS REFRACTOR & GUARD	TYPE V GLASS REFRACTOR & GUARD	GLOBE & GUARD	TYPE I GLASS REFRACTOR & GUARD	TYPE V GLASS REFRACTOR & GUARD	12" SPIN-TOP TYPE V REFRACTOR & GUARD
50	S68	3/4"	Quad	VM3S050A2GLG	VM3S050A2R1G	VM3S050A2R5G	VM4S050A2GLG	VM4S050A2R1G	VM4S050A2R5G	VM4S050A2ERN
				VM3S070A2GLG	VM3S070A2R1G	VM3S070A2R5G	VM4S070A2GLG	VM4S070A2R1G	VM4S070A2R5G	VM4S070A2ERN
70	S62	3/4"	Quad Tri 480	VM3S076A2GLG	VM3S076A2R1G	VM3S076A2R5G	VM4S076A2GLG	VM4S076A2R1G	VM4S076A2R5G	VM4S076A2ERN
				VM3S075A2GLG	VM3S075A2R1G	VM3S075A2R5G	VM4S075A2GLG	VM4S075A2R1G	VM4S075A2R5G	VM4S075A2ERN
				VM3S100A2GLG	VM3S100A2R1G	VM3S100A2R5G	VM4S100A2GLG	VM4S100A2R1G	VM4S100A2R5G	VM4S100A2ERN
100	S54	3/4"	Quad Tri 480	VM3S106A2GLG	VM3S106A2R1G	VM3S106A2R5G	VM4S106A2GLG	VM4S106A2R1G	VM4S106A2R5G	VM4S106A2ERN
				VM3S105A2GLG	VM3S105A2R1G	VM3S105A2R5G	VM4S105A2GLG	VM4S105A2R1G	VM4S105A2R5G	VM4S105A2ERN
				VM3S150A2GLG	VM3S150A2R1G	VM3S150A2R5G	VM4S150A2GLG	VM4S150A2R1G	VM4S150A2R5G	VM4S150A2ERN
150	S55	3/4"	Quad Tri 480	VM3S156A2GLG	VM3S156A2R1G	VM3S156A2R5G	VM4S156A2GLG	VM4S156A2R1G	VM4S156A2R5G	VM4S156A2ERN
				VM3S155A2GLG	VM3S155A2R1G	VM3S155A2R5G	VM4S155A2GLG	VM4S155A2R1G	VM4S155A2R5G	VM4S155A2ERN

VM 50 - 150 WATT HIGH PRESSURE SODIUM FLEXIBLE PENDANT										
DESCRIPTION				5-1/2" OPTIC THREAD SIZE <sup>Ⓢ</sup>			7-3/4" OPTIC THREAD SIZE <sup>Ⓢ</sup>			
WATTS	ANSI	HUB SIZE <sup>Ⓢ</sup>	VOLTAGE <sup>Ⓢ</sup>	GLOBE & GUARD	TYPE I GLASS REFRACTOR & GUARD	TYPE V GLASS REFRACTOR & GUARD	GLOBE & GUARD	TYPE I GLASS REFRACTOR & GUARD	TYPE V GLASS REFRACTOR & GUARD	12" SPIN-TOP TYPE V REFRACTOR & GUARD
50	S68	3/4"	Quad	VM3S050F2GLG	VM3S050F2R1G	VM3S050F2R5G	VM4S050F2GLG	VM4S050F2R1G	VM4S050F2R5G	VM4S050F2ERN
				VM3S070F2GLG	VM3S070F2R1G	VM3S070F2R5G	VM4S070F2GLG	VM4S070F2R1G	VM4S070F2R5G	VM4S070F2ERN
70	S62	3/4"	Quad Tri 480	VM3S076F2GLG	VM3S076F2R1G	VM3S076F2R5G	VM4S076F2GLG	VM4S076F2R1G	VM4S076F2R5G	VM4S076F2ERN
				VM3S075F2GLG	VM3S075F2R1G	VM3S075F2R5G	VM4S075F2GLG	VM4S075F2R1G	VM4S075F2R5G	VM4S075F2ERN
				VM3S100F2GLG	VM3S100F2R1G	VM3S100F2R5G	VM4S100F2GLG	VM4S100F2R1G	VM4S100F2R5G	VM4S100F2ERN
100	S54	3/4"	Quad Tri 480	VM3S106F2GLG	VM3S106F2R1G	VM3S106F2R5G	VM4S106F2GLG	VM4S106F2R1G	VM4S106F2R5G	VM4S106F2ERN
				VM3S105F2GLG	VM3S105F2R1G	VM3S105F2R5G	VM4S105F2GLG	VM4S105F2R1G	VM4S105F2R5G	VM4S105F2ERN
				VM3S150F2GLG	VM3S150F2R1G	VM3S150F2R5G	VM4S150F2GLG	VM4S150F2R1G	VM4S150F2R5G	VM4S150F2ERN
150	S55	3/4"	Quad Tri 480	VM3S156F2GLG	VM3S156F2R1G	VM3S156F2R5G	VM4S156F2GLG	VM4S156F2R1G	VM4S156F2R5G	VM4S156F2ERN
				VM3S155F2GLG	VM3S155F2R1G	VM3S155F2R5G	VM4S155F2GLG	VM4S155F2R1G	VM4S155F2R5G	VM4S155F2ERN

Ⓢ See hazardous application data on pages L131 - L140 for limitations.  
 Ⓢ Catalog numbers shown are with guard (except enclosed reflector); to omit guard change ending G to N; e.g. VM3S050A2GLN  
 Ⓢ Catalog numbers shown are with 3/4" conduit openings; change 2 to 3 for 1"; e.g. VM3S050A3GLG.  
 Ⓢ Consult catalog logic for other available voltages.  
 Ⓢ Add suffix NR for restricted breathing; see page L84 for more information.

# LIGHTING

CERTILITE® V SERIES



## HIGH PRESSURE SODIUM, 50-150W MOGUL BASE HID



Ceiling  
w/ 5-1/2"  
Globe & Guard



Wall  
w/ 5-1/2"  
Refractor & Guard



Ceiling  
w/ 7-3/4"  
Globe & Guard



Wall  
w/ 7-3/4"  
Refractor & Guard



Ceiling  
w/ Enclosed Reflector

VM 50 - 150 WATT HIGH PRESSURE SODIUM CEILING										
DESCRIPTION				5-1/2" OPTIC THREAD SIZE ②			7-3/4" OPTIC THREAD SIZE ②			
WATTS	ANSI	HUB SIZE ③	VOLTAGE ④	GLOBE & GUARD	TYPE I GLASS REFRACTOR & GUARD	TYPE V GLASS REFRACTOR & GUARD	GLOBE & GUARD	TYPE I GLASS REFRACTOR & GUARD	TYPE V GLASS REFRACTOR & GUARD	12" SPIN-TOP TYPE V REFRACTOR & GUARD
50	S68	3/4"	Quad	VM3S050X2GLG	VM3S050X2R1G	VM3S050X2R5G	VM4S050X2GLG	VM4S050X2R1G	VM4S050X2R5G	VM4S050X2ERN
				VM3S070X2GLG	VM3S070X2R1G	VM3S070X2R5G	VM4S070X2GLG	VM4S070X2R1G	VM4S070X2R5G	VM4S070X2ERN
70	S62	3/4"	Quad Tri 480	VM3S076X2GLG	VM3S076X2R1G	VM3S076X2R5G	VM4S076X2GLG	VM4S076X2R1G	VM4S076X2R5G	VM4S076X2ERN
				VM3S075X2GLG	VM3S075X2R1G	VM3S075X2R5G	VM4S075X2GLG	VM4S075X2R1G	VM4S075X2R5G	VM4S075X2ERN
				VM3S100X2GLG	VM3S100X2R1G	VM3S100X2R5G	VM4S100X2GLG	VM4S100X2R1G	VM4S100X2R5G	VM4S100X2ERN
100	S54	3/4"	Quad Tri 480	VM3S106X2GLG	VM3S106X2R1G	VM3S106X2R5G	VM4S106X2GLG	VM4S106X2R1G	VM4S106X2R5G	VM4S106X2ERN
				VM3S105X2GLG	VM3S105X2R1G	VM3S105X2R5G	VM4S105X2GLG	VM4S105X2R1G	VM4S105X2R5G	VM4S105X2ERN
				VM3S150X2GLG	VM3S150X2R1G	VM3S150X2R5G	VM4S150X2GLG	VM4S150X2R1G	VM4S150X2R5G	VM4S150X2ERN
150	S55	3/4"	Quad Tri 480	VM3S156X2GLG	VM3S156X2R1G	VM3S156X2R5G	VM4S156X2GLG	VM4S156X2R1G	VM4S156X2R5G	VM4S156X2ERN
				VM3S155X2GLG	VM3S155X2R1G	VM3S155X2R5G	VM4S155X2GLG	VM4S155X2R1G	VM4S155X2R5G	VM4S155X2ERN

VM 50 - 150 WATT HIGH PRESSURE SODIUM FLEXIBLE PENDANT										
DESCRIPTION				5-1/2" OPTIC THREAD SIZE ②			7-3/4" OPTIC THREAD SIZE ②			
WATTS	ANSI	HUB SIZE ③	VOLTAGE ④	GLOBE & GUARD	TYPE I GLASS REFRACTOR & GUARD	TYPE V GLASS REFRACTOR & GUARD	GLOBE & GUARD	TYPE I GLASS REFRACTOR & GUARD	TYPE V GLASS REFRACTOR & GUARD	12" SPIN-TOP TYPE V REFRACTOR & GUARD
50	S68	3/4"	Quad	VM3S050F2GLG	VM3S050F2R1G	VM3S050F2R5G	VM4S050F2GLG	VM4S050F2R1G	VM4S050F2R5G	VM4S050F2ERN
				VM3S070F2GLG	VM3S070F2R1G	VM3S070F2R5G	VM4S070F2GLG	VM4S070F2R1G	VM4S070F2R5G	VM4S070F2ERN
70	S62	3/4"	Quad Tri 480	VM3S076F2GLG	VM3S076F2R1G	VM3S076F2R5G	VM4S076F2GLG	VM4S076F2R1G	VM4S076F2R5G	VM4S076F2ERN
				VM3S075F2GLG	VM3S075F2R1G	VM3S075F2R5G	VM4S075F2GLG	VM4S075F2R1G	VM4S075F2R5G	VM4S075F2ERN
				VM3S100F2GLG	VM3S100F2R1G	VM3S100F2R5G	VM4S100F2GLG	VM4S100F2R1G	VM4S100F2R5G	VM4S100F2ERN
100	S54	3/4"	Quad Tri 480	VM3S106F2GLG	VM3S106F2R1G	VM3S106F2R5G	VM4S106F2GLG	VM4S106F2R1G	VM4S106F2R5G	VM4S106F2ERN
				VM3S105F2GLG	VM3S105F2R1G	VM3S105F2R5G	VM4S105F2GLG	VM4S105F2R1G	VM4S105F2R5G	VM4S105F2ERN
				VM3S150F2GLG	VM3S150F2R1G	VM3S150F2R5G	VM4S150F2GLG	VM4S150F2R1G	VM4S150F2R5G	VM4S150F2ERN
150	S55	3/4"	Quad Tri 480	VM3S156F2GLG	VM3S156F2R1G	VM3S156F2R5G	VM4S156F2GLG	VM4S156F2R1G	VM4S156F2R5G	VM4S156F2ERN
				VM3S155F2GLG	VM3S155F2R1G	VM3S155F2R5G	VM4S155F2GLG	VM4S155F2R1G	VM4S155F2R5G	VM4S155F2ERN

① See hazardous application data on pages L131 - L140 for limitations.

② Catalog numbers shown are with guard (except enclosed reflector); to omit guard change ending G to N; e.g. VM3S050A2GLN

③ Catalog numbers shown are with 3/4" conduit openings; change 2 to 3 for 1"; e.g. VM3S050A3GLG.

④ Consult catalog logic for other available voltages.

⑤ Add suffix NR for restricted breathing; see page L84 for more information.



HIGH PRESSURE SODIUM, 50-150W MOGUL BASE HID



Cone  
w/ 5-1/2"  
Globe & Guard



EZ Adapter  
w/ 5-1/2"  
Refractor & Guard



Cone  
w/ 7-3/4"  
Globe & Guard



EZ Adapter  
w/ 7-3/4"  
Refractor & Guard



Cone  
w/ Enclosed Reflector

VM 50 - 150 WATT HIGH PRESSURE SODIUM CONE										
DESCRIPTION				5-1/2" OPTIC THREAD SIZE ②			7-3/4" OPTIC THREAD SIZE ②			
WATTS	ANSI	HUB SIZE ③	VOLTAGE ④	GLOBE & GUARD	TYPE I GLASS REFRACTOR & GUARD	TYPE V GLASS REFRACTOR & GUARD	GLOBE & GUARD	TYPE I GLASS REFRACTOR & GUARD	TYPE V GLASS REFRACTOR & GUARD	12" SPIN-TOP TYPE V REFRACTOR & GUARD
50	S68	3/4"	Quad	VM3S050C2GLG	VM3S050C2R1G	VM3S050C2R5G	VM4S050C2GLG	VM4S050C2R1G	VM4S050C2R5G	VM4S050C2ERN
				VM3S070C2GLG	VM3S070C2R1G	VM3S070C2R5G	VM4S070C2GLG	VM4S070C2R1G	VM4S070C2R5G	VM4S070C2ERN
70	S62	3/4"	Quad Tri 480	VM3S076C2GLG	VM3S076C2R1G	VM3S076C2R5G	VM4S076C2GLG	VM4S076C2R1G	VM4S076C2R5G	VM4S076C2ERN
				VM3S075C2GLG	VM3S075C2R1G	VM3S075C2R5G	VM4S075C2GLG	VM4S075C2R1G	VM4S075C2R5G	VM4S075C2ERN
				VM3S100C2GLG	VM3S100C2R1G	VM3S100C2R5G	VM4S100C2GLG	VM4S100C2R1G	VM4S100C2R5G	VM4S100C2ERN
100	S54	3/4"	Quad Tri 480	VM3S106C2GLG	VM3S106C2R1G	VM3S106C2R5G	VM4S106C2GLG	VM4S106C2R1G	VM4S106C2R5G	VM4S106C2ERN
				VM3S105C2GLG	VM3S105C2R1G	VM3S105C2R5G	VM4S105C2GLG	VM4S105C2R1G	VM4S105C2R5G	VM4S105C2ERN
				VM3S150C2GLG	VM3S150C2R1G	VM3S150C2R5G	VM4S150C2GLG	VM4S150C2R1G	VM4S150C2R5G	VM4S150C2ERN
150	S55	3/4"	Quad Tri 480	VM3S156C2GLG	VM3S156C2R1G	VM3S156C2R5G	VM4S156C2GLG	VM4S156C2R1G	VM4S156C2R5G	VM4S156C2ERN
				VM3S155C2GLG	VM3S155C2R1G	VM3S155C2R5G	VM4S155C2GLG	VM4S155C2R1G	VM4S155C2R5G	VM4S155C2ERN

VM 50 - 150 WATT HIGH PRESSURE SODIUM EZ ADAPTER ⑥										
DESCRIPTION				5-1/2" OPTIC THREAD SIZE ②			7-3/4" OPTIC THREAD SIZE ②			
WATTS	ANSI	HUB SIZE ③	VOLTAGE ④	GLOBE & GUARD	TYPE I GLASS REFRACTOR & GUARD	TYPE V GLASS REFRACTOR & GUARD	GLOBE & GUARD	TYPE I GLASS REFRACTOR & GUARD	TYPE V GLASS REFRACTOR & GUARD	12" SPIN-TOP TYPE V REFRACTOR & GUARD
50	S68	⑥	Quad	VM3S050EZGLG	VM3S050EZR1G	VM3S050EZR5G	VM4S050EZGLG	VM4S050EZR1G	VM4S050EZR5G	VM4S050EZERN
				VM3S070EZGLG	VM3S070EZR1G	VM3S070EZR5G	VM4S070EZGLG	VM4S070EZR1G	VM4S070EZR5G	VM4S070EZERN
70	S62	⑥	Quad Tri 480	VM3S076EZGLG	VM3S076EZR1G	VM3S076EZR5G	VM4S076EZGLG	VM4S076EZR1G	VM4S076EZR5G	VM4S076EZERN
				VM3S075EZGLG	VM3S075EZR1G	VM3S075EZR5G	VM4S075EZGLG	VM4S075EZR1G	VM4S075EZR5G	VM4S075EZERN
				VM3S100EZGLG	VM3S100EZR1G	VM3S100EZR5G	VM4S100EZGLG	VM4S100EZR1G	VM4S100EZR5G	VM4S100EZERN
100	S54	⑥	Quad Tri 480	VM3S106EZGLG	VM3S106EZR1G	VM3S106EZR5G	VM4S106EZGLG	VM4S106EZR1G	VM4S106EZR5G	VM4S106EZERN
				VM3S105EZGLG	VM3S105EZR1G	VM3S105EZR5G	VM4S105EZGLG	VM4S105EZR1G	VM4S105EZR5G	VM4S105EZERN
				VM3S150EZGLG	VM3S150EZR1G	VM3S150EZR5G	VM4S150EZGLG	VM4S150EZR1G	VM4S150EZR5G	VM4S150EZERN
150	S55	⑥	Quad Tri 480	VM3S156EZGLG	VM3S156EZR1G	VM3S156EZR5G	VM4S156EZGLG	VM4S156EZR1G	VM4S156EZR5G	VM4S156EZERN
				VM3S155EZGLG	VM3S155EZR1G	VM3S155EZR5G	VM4S155EZGLG	VM4S155EZR1G	VM4S155EZR5G	VM4S155EZERN

① See hazardous application data on pages L131 - L140 for limitations.  
 ② Catalog numbers shown are with guard (except enclosed reflector); to omit guard change ending G to N; e.g. VM3S050C2GLN  
 ③ Cone top catalog numbers shown are with 3/4" conduit openings, change 2 to 3 for 1"; e.g. VM3S050C3GLG.  
 ④ Consult catalog logic for other available voltages.  
 ⑤ Add suffix NR for restricted breathing; see page L84 for more information.  
 ⑥ VMEZA tank adapters UL "classified" as an assembly for use between VM tanks and EZ mounts. Order EZ mounts separately.

# LIGHTING

CERTILITE® V SERIES



## HIGH PRESSURE SODIUM, 50-150W MOGUL BASE HID



Stanchion 25°  
w/ 5-1/2"  
Globe & Guard



Stanchion Straight  
w/ 5-1/2"  
Refractor & Guard



Stanchion 25°  
w/ 7-3/4"  
Globe & Guard



Stanchion Straight  
w/ 7-3/4"  
Refractor & Guard



Stanchion 25°  
w/ Enclosed Reflector

VM 50 - 150 WATT HIGH PRESSURE SODIUM STANCHION 25° ANGLE										
DESCRIPTION				5-1/2" OPTIC THREAD SIZE ②			7-3/4" OPTIC THREAD SIZE ②			
WATTS	ANSI	HUB SIZE ③	VOLTAGE ④	GLOBE & GUARD	TYPE I GLASS REFRACTOR & GUARD	TYPE V GLASS REFRACTOR & GUARD	GLOBE & GUARD	TYPE I GLASS REFRACTOR & GUARD	TYPE V GLASS REFRACTOR & GUARD	ENCLOSED REFLECTOR
50	S68	1-1/2"	Quad	VM3S050D5GLG	VM3S050D5R1G	VM3S050D5R5G	VM4S050D5GLG	VM4S050D5R1G	VM4S050D5R5G	VM4S050D5ERN
70	S62	1-1/2"	Quad Tri 480	VM3S070D5GLG	VM3S070D5R1G	VM3S070D5R5G	VM4S070D5GLG	VM4S070D5R1G	VM4S070D5R5G	VM4S070D5ERN
				VM3S076D5GLG	VM3S076D5R1G	VM3S076D5R5G	VM4S076D5GLG	VM4S076D5R1G	VM4S076D5R5G	VM4S076D5ERN
				VM3S075D5GLG	VM3S075D5R1G	VM3S075D5R5G	VM4S075D5GLG	VM4S075D5R1G	VM4S075D5R5G	VM4S075D5ERN
100	S54	1-1/2"	Quad Tri 480	VM3S100D5GLG	VM3S100D5R1G	VM3S100D5R5G	VM4S100D5GLG	VM4S100D5R1G	VM4S100D5R5G	VM4S100D5ERN
				VM3S106D5GLG	VM3S106D5R1G	VM3S106D5R5G	VM4S106D5GLG	VM4S106D5R1G	VM4S106D5R5G	VM4S106D5ERN
				VM3S105D5GLG	VM3S105D5R1G	VM3S105D5R5G	VM4S105D5GLG	VM4S105D5R1G	VM4S105D5R5G	VM4S105D5ERN
150	S55	1-1/2"	Quad Tri 480	VM3S150D5GLG	VM3S150D5R1G	VM3S150D5R5G	VM4S150D5GLG	VM4S150D5R1G	VM4S150D5R5G	VM4S150D5ERN
				VM3S156D5GLG	VM3S156D5R1G	VM3S156D5R5G	VM4S156D5GLG	VM4S156D5R1G	VM4S156D5R5G	VM4S156D5ERN
				VM3S155D5GLG	VM3S155D5R1G	VM3S155D5R5G	VM4S155D5GLG	VM4S155D5R1G	VM4S155D5R5G	VM4S155D5ERN

VM 50 - 150 WATT HIGH PRESSURE SODIUM STANCHION STRAIGHT										
DESCRIPTION				5-1/2" OPTIC THREAD SIZE ②			7-3/4" OPTIC THREAD SIZE ②			
WATTS	ANSI	HUB SIZE ③	VOLTAGE ④	GLOBE & GUARD	TYPE I GLASS REFRACTOR & GUARD	TYPE V GLASS REFRACTOR & GUARD	GLOBE & GUARD	TYPE I GLASS REFRACTOR & GUARD	TYPE V GLASS REFRACTOR & GUARD	ENCLOSED REFLECTOR
50	S68	1-1/2"	Quad	VM3S050S5GLG	VM3S050S5R1G	VM3S050S5R5G	VM4S050S5GLG	VM4S050S5R1G	VM4S050S5R5G	VM4S050S5ERN
70	S62	1-1/2"	Quad Tri 480	VM3S070S5GLG	VM3S070S5R1G	VM3S070S5R5G	VM4S070S5GLG	VM4S070S5R1G	VM4S070S5R5G	VM4S070S5ERN
				VM3S076S5GLG	VM3S076S5R1G	VM3S076S5R5G	VM4S076S5GLG	VM4S076S5R1G	VM4S076S5R5G	VM4S076S5ERN
				VM3S075S5GLG	VM3S075S5R1G	VM3S075S5R5G	VM4S075S5GLG	VM4S075S5R1G	VM4S075S5R5G	VM4S075S5ERN
100	S54	1-1/2"	Quad Tri 480	VM3S100S5GLG	VM3S100S5R1G	VM3S100S5R5G	VM4S100S5GLG	VM4S100S5R1G	VM4S100S5R5G	VM4S100S5ERN
				VM3S106S5GLG	VM3S106S5R1G	VM3S106S5R5G	VM4S106S5GLG	VM4S106S5R1G	VM4S106S5R5G	VM4S106S5ERN
				VM3S105S5GLG	VM3S105S5R1G	VM3S105S5R5G	VM4S105S5GLG	VM4S105S5R1G	VM4S105S5R5G	VM4S105S5ERN
150	S55	1-1/2"	Quad Tri 480	VM3S150S5GLG	VM3S150S5R1G	VM3S150S5R5G	VM4S150S5GLG	VM4S150S5R1G	VM4S150S5R5G	VM4S150S5ERN
				VM3S156S5GLG	VM3S156S5R1G	VM3S156S5R5G	VM4S156S5GLG	VM4S156S5R1G	VM4S156S5R5G	VM4S156S5ERN
				VM3S155S5GLG	VM3S155S5R1G	VM3S155S5R5G	VM4S155S5GLG	VM4S155S5R1G	VM4S155S5R5G	VM4S155S5ERN

① See hazardous application data on pages L131 - L140 for limitations.

② Catalog numbers shown are with guard (except enclosed reflector); to omit guard change ending G to N; e.g. VM3S050D5GLN

③ Catalog numbers shown are with 1-1/2" conduit openings, change 5 to 4 for 1-1/4"; e.g. VM3S050D4GLG.

④ Consult catalog logic for other available voltages.

⑤ Add suffix NR for restricted breathing; see page L84 for more information.



## METAL HALIDE, 70-250W MOGUL BASE HID



Pendant  
w/ 5-1/2"  
Globe & Guard



Flexible Pendant  
w/ 5-1/2"  
Refractor & Guard



Pendant  
w/ 7-3/4"  
Globe & Guard



Flexible Pendant  
w/ 7-3/4"  
Refractor & Guard



Pendant  
w/ Enclosed Reflector

Class I, Div. 2, Groups A,B,C,D<sup>Ⓛ</sup>  
Class I, Zone 2, Groups IIC, IIB, IIA  
Class II, Div. 1 & 2, Groups E,F,G  
Class III  
Suitable for wet locations  
NEMA 3, 4, 4X  
IP66

US LISTED - File E10514 (Hazardous & Marine)

Certified - File LR11713

NR Restricted Breathing Option<sup>Ⓢ</sup>

Class I, Zone 2 AEx nAnR  
Class I, Zone 2 Ex nR

VM 70 - 250 WATT METAL HALIDE PENDANT										
DESCRIPTION				5-1/2" OPTIC THREAD SIZE <sup>Ⓢ</sup>			7-3/4" OPTIC THREAD SIZE <sup>Ⓢ</sup>			
WATTS	ANSI	HUB SIZE <sup>Ⓢ</sup>	VOLTAGE <sup>Ⓢ</sup>	GLOBE & GUARD	TYPE I GLASS REFRACTOR & GUARD	TYPE V GLASS REFRACTOR & GUARD	GLOBE & GUARD	TYPE I GLASS REFRACTOR & GUARD	TYPE V GLASS REFRACTOR & GUARD	ENCLOSED REFLECTOR
70	M98 M143	3/4"	Quad Tri 480	VM3H070A2GLG	VM3H070A2R1G	VM3H070A2R5G	VM4H070A2GLG	VM4H070A2R1G	VM4H070A2R5G	VM4H070A2ERN
				VM3H076A2GLG	VM3H076A2R1G	VM3H076A2R5G	VM4H076A2GLG	VM4H076A2R1G	VM4H076A2R5G	VM4H076A2ERN
				VM3H075A2GLG	VM3H075A2R1G	VM3H075A2R5G	VM4H075A2GLG	VM4H075A2R1G	VM4H075A2R5G	VM4H075A2ERN
100	M90 M140	3/4"	Quad Tri 480	VM3H100A2GLG	VM3H100A2R1G	VM3H100A2R5G	VM4H100A2GLG	VM4H100A2R1G	VM4H100A2R5G	VM4H100A2ERN
				VM3H106A2GLG	VM3H106A2R1G	VM3H106A2R5G	VM4H106A2GLG	VM4H106A2R1G	VM4H106A2R5G	VM4H106A2ERN
				VM3H105A2GLG	VM3H105A2R1G	VM3H105A2R5G	VM4H105A2GLG	VM4H105A2R1G	VM4H105A2R5G	VM4H105A2ERN
175 <sup>Ⓢ</sup>	M57	3/4"	Quad Tri 480	VM3H170A2GLG	VM3H170A2R1G	VM3H170A2R5G	VM4H170A2GLG	VM4H170A2R1G	VM4H170A2R5G	VM4H170A2ERN
				VM3H176A2GLG	VM3H176A2R1G	VM3H176A2R5G	VM4H176A2GLG	VM4H176A2R1G	VM4H176A2R5G	VM4H176A2ERN
				VM3H175A2GLG	VM3H175A2R1G	VM3H175A2R5G	VM4H175A2GLG	VM4H175A2R1G	VM4H175A2R5G	VM4H175A2ERN
250 <sup>Ⓢ</sup>	M58	3/4"	Quad Tri 480	VM3H250A2GLG	VM3H250A2R1G	VM3H250A2R5G	VM4H250A2GLG	VM4H250A2R1G	VM4H250A2R5G	VM4H250A2ERN
				VM3H256A2GLG	VM3H256A2R1G	VM3H256A2R5G	VM4H256A2GLG	VM4H256A2R1G	VM4H256A2R5G	VM4H256A2ERN
				VM3H255A2GLG	VM3H255A2R1G	VM3H255A2R5G	VM4H255A2GLG	VM4H255A2R1G	VM4H255A2R5G	VM4H255A2ERN

VM 70 - 250 WATT METAL HALIDE FLEXIBLE PENDANT										
DESCRIPTION				5-1/2" OPTIC THREAD SIZE <sup>Ⓢ</sup>			7-3/4" OPTIC THREAD SIZE <sup>Ⓢ</sup>			
WATTS	ANSI	HUB SIZE <sup>Ⓢ</sup>	VOLTAGE <sup>Ⓢ</sup>	GLOBE & GUARD	TYPE I GLASS REFRACTOR & GUARD	TYPE V GLASS REFRACTOR & GUARD	GLOBE & GUARD	TYPE I GLASS REFRACTOR & GUARD	TYPE V GLASS REFRACTOR & GUARD	ENCLOSED REFLECTOR
70	M98 M143	3/4"	Quad Tri 480	VM3H070F2GLG	VM3H070F2R1G	VM3H070F2R5G	VM4H070F2GLG	VM4H070F2R1G	VM4H070F2R5G	VM4H070F2ERN
				VM3H076F2GLG	VM3H076F2R1G	VM3H076F2R5G	VM4H076F2GLG	VM4H076F2R1G	VM4H076F2R5G	VM4H076F2ERN
				VM3H075F2GLG	VM3H075F2R1G	VM3H075F2R5G	VM4H075F2GLG	VM4H075F2R1G	VM4H075F2R5G	VM4H075F2ERN
100	M90 M140	3/4"	Quad Tri 480	VM3H100F2GLG	VM3H100F2R1G	VM3H100F2R5G	VM4H100F2GLG	VM4H100F2R1G	VM4H100F2R5G	VM4H100F2ERN
				VM3H106F2GLG	VM3H106F2R1G	VM3H106F2R5G	VM4H106F2GLG	VM4H106F2R1G	VM4H106F2R5G	VM4H106F2ERN
				VM3H105F2GLG	VM3H105F2R1G	VM3H105F2R5G	VM4H105F2GLG	VM4H105F2R1G	VM4H105F2R5G	VM4H105F2ERN
175 <sup>Ⓢ</sup>	M57	3/4"	Quad Tri 480	VM3H170F2GLG	VM3H170F2R1G	VM3H170F2R5G	VM4H170F2GLG	VM4H170F2R1G	VM4H170F2R5G	VM4H170F2ERN
				VM3H176F2GLG	VM3H176F2R1G	VM3H176F2R5G	VM4H176F2GLG	VM4H176F2R1G	VM4H176F2R5G	VM4H176F2ERN
				VM3H175F2GLG	VM3H175F2R1G	VM3H175F2R5G	VM4H175F2GLG	VM4H175F2R1G	VM4H175F2R5G	VM4H175F2ERN
250 <sup>Ⓢ</sup>	M58	3/4"	Quad Tri 480	VM3H250F2GLG	VM3H250F2R1G	VM3H250F2R5G	VM4H250F2GLG	VM4H250F2R1G	VM4H250F2R5G	VM4H250F2ERN
				VM3H256F2GLG	VM3H256F2R1G	VM3H256F2R5G	VM4H256F2GLG	VM4H256F2R1G	VM4H256F2R5G	VM4H256F2ERN
				VM3H255F2GLG	VM3H255F2R1G	VM3H255F2R5G	VM4H255F2GLG	VM4H255F2R1G	VM4H255F2R5G	VM4H255F2ERN

<sup>Ⓛ</sup> See hazardous application data on pages L131 - L140 for limitations.  
<sup>Ⓢ</sup> Catalog numbers shown are with guard (except enclosed reflector); to omit guard change ending G to N; e.g. VM3H070A2GLN  
<sup>Ⓢ</sup> Catalog numbers shown are with 3/4" conduit openings, change 2 to 3 for 1"; e.g. VM3H070A3GLG.  
<sup>Ⓢ</sup> Consult catalog logic for other available voltages.  
<sup>Ⓢ</sup> Add suffix NR for restricted breathing; see page L84 for more information.  
<sup>Ⓢ</sup> 175W M57 & 250W M58 Fixtures are EXPORT ONLY (EISA LAW).



# LIGHTING

CERTILITE® V SERIES



## METAL HALIDE, 70-250W MOGUL BASE HID



Ceiling  
w/ 5-1/2"  
Globe & Guard



Wall  
w/ 5-1/2"  
Refractor & Guard



Ceiling  
w/ 7-3/4"  
Globe & Guard



Wall  
w/ 7-3/4"  
Refractor & Guard



Ceiling  
w/ Enclosed Reflector

### VM 70 - 250 WATT METAL HALIDE CEILING

DESCRIPTION				5-1/2 OPTIC THREAD SIZE ②			7-3/4 OPTIC THREAD SIZE ②			
WATTS	ANSI	HUB SIZE ③	VOLTAGE ④	GLOBE & GUARD	TYPE I GLASS REFRACTOR & GUARD	TYPE V GLASS REFRACTOR & GUARD	GLOBE & GUARD	TYPE I GLASS REFRACTOR & GUARD	TYPE V GLASS REFRACTOR & GUARD	ENCLOSED REFLECTOR
70	M98 M143	3/4"	Quad Tri 480	VM3H070X2GLG	VM3H070X2R1G	VM3H070X2R5G	VM4H070X2GLG	VM4H070X2R1G	VM4H070X2R5G	VM4H070X2ERN
				VM3H076X2GLG	VM3H076X2R1G	VM3H076X2R5G	VM4H076X2GLG	VM4H076X2R1G	VM4H076X2R5G	VM4H076X2ERN
				VM3H075X2GLG	VM3H075X2R1G	VM3H075X2R5G	VM4H075X2GLG	VM4H075X2R1G	VM4H075X2R5G	VM4H075X2ERN
100	M90 M140	3/4"	Quad Tri 480	VM3H100X2GLG	VM3H100X2R1G	VM3H100X2R5G	VM4H100X2GLG	VM4H100X2R1G	VM4H100X2R5G	VM4H100X2ERN
				VM3H106X2GLG	VM3H106X2R1G	VM3H106X2R5G	VM4H106X2GLG	VM4H106X2R1G	VM4H106X2R5G	VM4H106X2ERN
				VM3H105X2GLG	VM3H105X2R1G	VM3H105X2R5G	VM4H105X2GLG	VM4H105X2R1G	VM4H105X2R5G	VM4H105X2ERN
175 ⑤	M57	3/4"	Quad Tri 480	VM3H170X2GLG	VM3H170X2R1G	VM3H170X2R5G	VM4H170X2GLG	VM4H170X2R1G	VM4H170X2R5G	VM4H170X2ERN
				VM3H176X2GLG	VM3H176X2R1G	VM3H176X2R5G	VM4H176X2GLG	VM4H176X2R1G	VM4H176X2R5G	VM4H176X2ERN
				VM3H175X2GLG	VM3H175X2R1G	VM3H175X2R5G	VM4H175X2GLG	VM4H175X2R1G	VM4H175X2R5G	VM4H175X2ERN
250 ⑤	M58	3/4"	Quad Tri 480	VM3H250X2GLG	VM3H250X2R1G	VM3H250X2R5G	VM4H250X2GLG	VM4H250X2R1G	VM4H250X2R5G	VM4H250X2ERN
				VM3H256X2GLG	VM3H256X2R1G	VM3H256X2R5G	VM4H256X2GLG	VM4H256X2R1G	VM4H256X2R5G	VM4H256X2ERN
				VM3H255X2GLG	VM3H255X2R1G	VM3H255X2R5G	VM4H255X2GLG	VM4H255X2R1G	VM4H255X2R5G	VM4H255X2ERN

### VM 70 - 250 WATT METAL HALIDE WALL

DESCRIPTION				5-1/2 OPTIC THREAD SIZE ②			7-3/4 OPTIC THREAD SIZE ②			
WATTS	ANSI	HUB SIZE ③	VOLTAGE ④	GLOBE & GUARD	TYPE I GLASS REFRACTOR & GUARD	TYPE V GLASS REFRACTOR & GUARD	GLOBE & GUARD	TYPE I GLASS REFRACTOR & GUARD	TYPE V GLASS REFRACTOR & GUARD	ENCLOSED REFLECTOR
70	M98 M143	3/4"	Quad Tri 480	VM3H070B2GLG	VM3H070B2R1G	VM3H070B2R5G	VM4H070B2GLG	VM4H070B2R1G	VM4H070B2R5G	VM4H070B2ERN
				VM3H076B2GLG	VM3H076B2R1G	VM3H076B2R5G	VM4H076B2GLG	VM4H076B2R1G	VM4H076B2R5G	VM4H076B2ERN
				VM3H075B2GLG	VM3H075B2R1G	VM3H075B2R5G	VM4H075B2GLG	VM4H075B2R1G	VM4H075B2R5G	VM4H075B2ERN
100	M90 M140	3/4"	Quad Tri 480	VM3H100B2GLG	VM3H100B2R1G	VM3H100B2R5G	VM4H100B2GLG	VM4H100B2R1G	VM4H100B2R5G	VM4H100B2ERN
				VM3H106B2GLG	VM3H106B2R1G	VM3H106B2R5G	VM4H106B2GLG	VM4H106B2R1G	VM4H106B2R5G	VM4H106B2ERN
				VM3H105B2GLG	VM3H105B2R1G	VM3H105B2R5G	VM4H105B2GLG	VM4H105B2R1G	VM4H105B2R5G	VM4H105B2ERN
175 ⑤	M57	3/4"	Quad Tri 480	VM3H170B2GLG	VM3H170B2R1G	VM3H170B2R5G	VM4H170B2GLG	VM4H170B2R1G	VM4H170B2R5G	VM4H170B2ERN
				VM3H176B2GLG	VM3H176B2R1G	VM3H176B2R5G	VM4H176B2GLG	VM4H176B2R1G	VM4H176B2R5G	VM4H176B2ERN
				VM3H175B2GLG	VM3H175B2R1G	VM3H175B2R5G	VM4H175B2GLG	VM4H175B2R1G	VM4H175B2R5G	VM4H175B2ERN
250 ⑤	M58	3/4"	Quad Tri 480	VM3H250B2GLG	VM3H250B2R1G	VM3H250B2R5G	VM4H250B2GLG	VM4H250B2R1G	VM4H250B2R5G	VM4H250B2ERN
				VM3H256B2GLG	VM3H256B2R1G	VM3H256B2R5G	VM4H256B2GLG	VM4H256B2R1G	VM4H256B2R5G	VM4H256B2ERN
				VM3H255B2GLG	VM3H255B2R1G	VM3H255B2R5G	VM4H255B2GLG	VM4H255B2R1G	VM4H255B2R5G	VM4H255B2ERN

① See hazardous application data on pages L131 - L140 for limitations.

② Catalog numbers shown are with guard (except enclosed reflector); to omit guard change ending G to N; e.g. VM3H070X2GLN

③ Catalog numbers shown are with 3/4" conduit openings, change 2 to 3 for 1"; e.g. VM3H070X3GLG.

④ Consult catalog logic for other available voltages.

⑤ Add suffix NR for restricted breathing; see page L84 for more information.

⑥ 175W M57 & 250W M58 Fixtures are EXPORT ONLY (EISA LAW).



METAL HALIDE, 70-250W MOGUL BASE HID



VM 70 - 250 WATT METAL HALIDE CONE

DESCRIPTION				5-1/2" OPTIC THREAD SIZE ②			7-3/4" OPTIC THREAD SIZE ②			
WATTS	ANSI	HUB SIZE ③	VOLTAGE ④	GLOBE & GUARD	TYPE I GLASS REFRACTOR & GUARD	TYPE V GLASS REFRACTOR & GUARD	GLOBE & GUARD	TYPE I GLASS REFRACTOR & GUARD	TYPE V GLASS REFRACTOR & GUARD	ENCLOSED REFLECTOR
70	M98 M143	3/4"	Quad Tri 480	VM3H070C2GLG	VM3H070C2R1G	VM3H070C2R5G	VM4H070C2GLG	VM4H070C2R1G	VM4H070C2R5G	VM4H070C2ERN
				VM3H076C2GLG	VM3H076C2R1G	VM3H076C2R5G	VM4H076C2GLG	VM4H076C2R1G	VM4H076C2R5G	VM4H076C2ERN
				VM3H075C2GLG	VM3H075C2R1G	VM3H075C2R5G	VM4H075C2GLG	VM4H075C2R1G	VM4H075C2R5G	VM4H075C2ERN
100	M90 M140	3/4"	Quad Tri 480	VM3H100C2GLG	VM3H100C2R1G	VM3H100C2R5G	VM4H100C2GLG	VM4H100C2R1G	VM4H100C2R5G	VM4H100C2ERN
				VM3H106C2GLG	VM3H106C2R1G	VM3H106C2R5G	VM4H106C2GLG	VM4H106C2R1G	VM4H106C2R5G	VM4H106C2ERN
				VM3H105C2GLG	VM3H105C2R1G	VM3H105C2R5G	VM4H105C2GLG	VM4H105C2R1G	VM4H105C2R5G	VM4H105C2ERN
175 ⑥	M57	3/4"	Quad Tri 480	VM3H170C2GLG	VM3H170C2R1G	VM3H170C2R5G	VM4H170C2GLG	VM4H170C2R1G	VM4H170C2R5G	VM4H170C2ERN
				VM3H176C2GLG	VM3H176C2R1G	VM3H176C2R5G	VM4H176C2GLG	VM4H176C2R1G	VM4H176C2R5G	VM4H176C2ERN
				VM3H175C2GLG	VM3H175C2R1G	VM3H175C2R5G	VM4H175C2GLG	VM4H175C2R1G	VM4H175C2R5G	VM4H175C2ERN
250 ⑥	M58	3/4"	Quad Tri 480	VM3H250C2GLG	VM3H250C2R1G	VM3H250C2R5G	VM4H250C2GLG	VM4H250C2R1G	VM4H250C2R5G	VM4H250C2ERN
				VM3H256C2GLG	VM3H256C2R1G	VM3H256C2R5G	VM4H256C2GLG	VM4H256C2R1G	VM4H256C2R5G	VM4H256C2ERN
				VM3H255C2GLG	VM3H255C2R1G	VM3H255C2R5G	VM4H255C2GLG	VM4H255C2R1G	VM4H255C2R5G	VM4H255C2ERN

VM 70 - 250 WATT METAL HALIDE EZ ADAPTER

DESCRIPTION				5-1/2" OPTIC THREAD SIZE ②			7-3/4" OPTIC THREAD SIZE ②			
WATTS	ANSI	HUB SIZE ③	VOLTAGE ④	GLOBE & GUARD	TYPE I GLASS REFRACTOR & GUARD	TYPE V GLASS REFRACTOR & GUARD	GLOBE & GUARD	TYPE I GLASS REFRACTOR & GUARD	TYPE V GLASS REFRACTOR & GUARD	ENCLOSED REFLECTOR
70	M98 M143	3/4"	Quad Tri 480	VM3H070EZGLG	VM3H070EZR1G	VM3H070EZR5G	VM4H070EZGLG	VM4H070EZR1G	VM4H070EZR5G	VM4H070EZERN
				VM3H076EZGLG	VM3H076EZR1G	VM3H076EZR5G	VM4H076EZGLG	VM4H076EZR1G	VM4H076EZR5G	VM4H076EZERN
				VM3H075EZGLG	VM3H075EZR1G	VM3H075EZR5G	VM4H075EZGLG	VM4H075EZR1G	VM4H075EZR5G	VM4H075EZERN
100	M90 M140	3/4"	Quad Tri 480	VM3H100EZGLG	VM3H100EZR1G	VM3H100EZR5G	VM4H100EZGLG	VM4H100EZR1G	VM4H100EZR5G	VM4H100EZERN
				VM3H106EZGLG	VM3H106EZR1G	VM3H106EZR5G	VM4H106EZGLG	VM4H106EZR1G	VM4H106EZR5G	VM4H106EZERN
				VM3H105EZGLG	VM3H105EZR1G	VM3H105EZR5G	VM4H105EZGLG	VM4H105EZR1G	VM4H105EZR5G	VM4H105EZERN
175 ⑥	M57	3/4"	Quad Tri 480	VM3H170EZGLG	VM3H170EZR1G	VM3H170EZR5G	VM4H170EZGLG	VM4H170EZR1G	VM4H170EZR5G	VM4H170EZERN
				VM3H176EZGLG	VM3H176EZR1G	VM3H176EZR5G	VM4H176EZGLG	VM4H176EZR1G	VM4H176EZR5G	VM4H176EZERN
				VM3H175EZGLG	VM3H175EZR1G	VM3H175EZR5G	VM4H175EZGLG	VM4H175EZR1G	VM4H175EZR5G	VM4H175EZERN
250 ⑥	M58	3/4"	Quad Tri 480	VM3H250EZGLG	VM3H250EZR1G	VM3H250EZR5G	VM4H250EZGLG	VM4H250EZR1G	VM4H250EZR5G	VM4H250EZERN
				VM3H256EZGLG	VM3H256EZR1G	VM3H256EZR5G	VM4H256EZGLG	VM4H256EZR1G	VM4H256EZR5G	VM4H256EZERN
				VM3H255EZGLG	VM3H255EZR1G	VM3H255EZR5G	VM4H255EZGLG	VM4H255EZR1G	VM4H255EZR5G	VM4H255EZERN

① See hazardous application data on pages L131 - L140 for limitations.  
 ② Catalog numbers shown are with guard (except enclosed reflector); to omit guard change ending G to N; e.g. VM3H070A2GLN  
 ③ Catalog numbers shown are with 3/4" conduit openings, change 2 to 3 for 1"; e.g. VM3H070A3GLG.  
 ④ Consult catalog logic for other available voltages.  
 ⑤ Add suffix NR for restricted breathing; see page L84 for more information.  
 ⑥ 175W M57 & 250W M58 Fixtures are EXPORT ONLY (EISA LAW).  
 ⑦ VMEZA tank adapters UL "classified" as an assembly for use between VM tanks and EZ mounts. Order EZ mounts separately.

# LIGHTING

CERTILITE® V SERIES



## METAL HALIDE, 70-250W MOGUL BASE HID



Stanchion 25°  
w/ 5-1/2"  
Globe & Guard



Stanchion Straight  
w/ 5-1/2"  
Refractor & Guard



Stanchion 25°  
w/ 7-3/4"  
Globe & Guard



Stanchion Straight  
w/ 7-3/4"  
Refractor & Guard



Stanchion 25°  
w/ Enclosed Reflector

### VM 70 - 250 WATT METAL HALIDE STANCHION 25° ANGLE

DESCRIPTION				5-1/2" OPTIC THREAD SIZE ②			7-3/4" OPTIC THREAD SIZE ②			
WATTS	ANSI	HUB SIZE ③	VOLTAGE ④	GLOBE & GUARD	TYPE I GLASS REFRACTOR & GUARD	TYPE V GLASS REFRACTOR & GUARD	GLOBE & GUARD	TYPE I GLASS REFRACTOR & GUARD	TYPE V GLASS REFRACTOR & GUARD	ENCLOSED REFLECTOR
70	M98 M143	1-1/2"	Quad Tri 480	VM3H070D5GLG	VM3H070D5R1G	VM3H070D5R5G	VM4H070D5GLG	VM4H070D5R1G	VM4H070D5R5G	VM4H070D5ERN
				VM3H076D5GLG	VM3H076D5R1G	VM3H076D5R5G	VM4H076D5GLG	VM4H076D5R1G	VM4H076D5R5G	VM4H076D5ERN
				VM3H075D5GLG	VM3H075D5R1G	VM3H075D5R5G	VM4H075D5GLG	VM4H075D5R1G	VM4H075D5R5G	VM4H075D5ERN
100	M90 M140	1-1/2"	Quad Tri 480	VM3H100D5GLG	VM3H100D5R1G	VM3H100D5R5G	VM4H100D5GLG	VM4H100D5R1G	VM4H100D5R5G	VM4H100D5ERN
				VM3H106D5GLG	VM3H106D5R1G	VM3H106D5R5G	VM4H106D5GLG	VM4H106D5R1G	VM4H106D5R5G	VM4H106D5ERN
				VM3H105D5GLG	VM3H105D5R1G	VM3H105D5R5G	VM4H105D5GLG	VM4H105D5R1G	VM4H105D5R5G	VM4H105D5ERN
175 ⑤	M57	1-1/2"	Quad Tri 480	VM3H170D5GLG	VM3H170D5R1G	VM3H170D5R5G	VM4H170D5GLG	VM4H170D5R1G	VM4H170D5R5G	VM4H170D5ERN
				VM3H176D5GLG	VM3H176D5R1G	VM3H176D5R5G	VM4H176D5GLG	VM4H176D5R1G	VM4H176D5R5G	VM4H176D5ERN
				VM3H175D5GLG	VM3H175D5R1G	VM3H175D5R5G	VM4H175D5GLG	VM4H175D5R1G	VM4H175D5R5G	VM4H175D5ERN
250 ⑥	M58	1-1/2"	Quad Tri 480	VM3H250D5GLG	VM3H250D5R1G	VM3H250D5R5G	VM4H250D5GLG	VM4H250D5R1G	VM4H250D5R5G	VM4H250D5ERN
				VM3H256D5GLG	VM3H256D5R1G	VM3H256D5R5G	VM4H256D5GLG	VM4H256D5R1G	VM4H256D5R5G	VM4H256D5ERN
				VM3H255D5GLG	VM3H255D5R1G	VM3H255D5R5G	VM4H255D5GLG	VM4H255D5R1G	VM4H255D5R5G	VM4H255D5ERN

### VM 70 - 250 WATT METAL HALIDE STANCHION STRAIGHT

DESCRIPTION				5-1/2" OPTIC THREAD SIZE ②			7-3/4" OPTIC THREAD SIZE ②			
WATTS	ANSI	HUB SIZE ③	VOLTAGE ④	GLOBE & GUARD	TYPE I GLASS REFRACTOR & GUARD	TYPE V GLASS REFRACTOR & GUARD	GLOBE & GUARD	TYPE I GLASS REFRACTOR & GUARD	TYPE V GLASS REFRACTOR & GUARD	ENCLOSED REFLECTOR
70	M98 M143	1-1/2"	Quad Tri 480	VM3H070S5GLG	VM3H070S5R1G	VM3H070S5R5G	VM4H070S5GLG	VM4H070S5R1G	VM4H070S5R5G	VM4H070S5ERN
				VM3H076S5GLG	VM3H076S5R1G	VM3H076S5R5G	VM4H076S5GLG	VM4H076S5R1G	VM4H076S5R5G	VM4H076S5ERN
				VM3H075S5GLG	VM3H075S5R1G	VM3H075S5R5G	VM4H075S5GLG	VM4H075S5R1G	VM4H075S5R5G	VM4H075S5ERN
100	M90 M140	1-1/2"	Quad Tri 480	VM3H100S5GLG	VM3H100S5R1G	VM3H100S5R5G	VM4H100S5GLG	VM4H100S5R1G	VM4H100S5R5G	VM4H100S5ERN
				VM3H106S5GLG	VM3H106S5R1G	VM3H106S5R5G	VM4H106S5GLG	VM4H106S5R1G	VM4H106S5R5G	VM4H106S5ERN
				VM3H105S5GLG	VM3H105S5R1G	VM3H105S5R5G	VM4H105S5GLG	VM4H105S5R1G	VM4H105S5R5G	VM4H105S5ERN
175 ⑤	M57	1-1/2"	Quad Tri 480	VM3H170S5GLG	VM3H170S5R1G	VM3H170S5R5G	VM4H170S5GLG	VM4H170S5R1G	VM4H170S5R5G	VM4H170S5ERN
				VM3H176S5GLG	VM3H176S5R1G	VM3H176S5R5G	VM4H176S5GLG	VM4H176S5R1G	VM4H176S5R5G	VM4H176S5ERN
				VM3H175S5GLG	VM3H175S5R1G	VM3H175S5R5G	VM4H175S5GLG	VM4H175S5R1G	VM4H175S5R5G	VM4H175S5ERN
250 ⑥	M58	1-1/2"	Quad Tri 480	VM3H250S5GLG	VM3H250S5R1G	VM3H250S5R5G	VM4H250S5GLG	VM4H250S5R1G	VM4H250S5R5G	VM4H250S5ERN
				VM3H256S5GLG	VM3H256S5R1G	VM3H256S5R5G	VM4H256S5GLG	VM4H256S5R1G	VM4H256S5R5G	VM4H256S5ERN
				VM3H255S5GLG	VM3H255S5R1G	VM3H255S5R5G	VM4H255S5GLG	VM4H255S5R1G	VM4H255S5R5G	VM4H255S5ERN

① See hazardous application data on pages L131 - L140 for limitations.

② Catalog numbers shown are with guard (except enclosed reflector); to omit guard change ending G to N; e.g. VM3P150A2GLN

③ Catalog numbers shown are with 3/4" conduit openings; change 5 to 4 for 1-1/4"; e.g. VM3H070D4GLG.

④ Consult catalog logic for other available voltages.

⑤ Add suffix NR for restricted breathing; see page L84 for more information.

⑥ 175W M57 & 250W M58 Fixtures are EXPORT ONLY (EISA LAW).



## METAL HALIDE PULSE, 150-200W MOGUL BASE HID



Pendant  
w/ 5-1/2"  
Globe & Guard



Flexible Pendant  
w/ 5-1/2"  
Refractor & Guard



Pendant  
w/ 7-3/4"  
Globe & Guard



Flexible Pendant  
w/ 7-3/4"  
Refractor & Guard



Pendant  
w/ Enclosed Reflector

Class I, Div. 2, Groups A,B,C,D<sup>①</sup>  
Class I, Zone 2, Groups IIC, IIB, IIA  
Class II, Div. 1 & 2, Groups E,F,G  
Class III

Suitable for wet locations  
NEMA 3, 4, 4X  
IP66

US LISTED - File E10514 (Hazardous & Marine)

US Certified - File LR11713

NR Restricted Breathing Option<sup>⑤</sup>

Class I, Zone 2 AEx nAnR  
Class I, Zone 2 Ex nR

VM 150 - 200 WATT METAL HALIDE PULSE PENDANT										
DESCRIPTION				5-1/2" OPTIC THREAD SIZE <sup>②</sup>			7-3/4" OPTIC THREAD SIZE <sup>②</sup>			
WATTS	ANSI	HUB SIZE <sup>③</sup>	VOLTAGE <sup>④</sup>	GLOBE & GUARD	TYPE I GLASS REFRACTOR & GUARD	TYPE V GLASS REFRACTOR & GUARD	GLOBE & GUARD	TYPE I GLASS REFRACTOR & GUARD	TYPE V GLASS REFRACTOR & GUARD	ENCLOSED REFLECTOR
150	M102	3/4"	Quad Tri 480	VM3P150A2GLG	VM3P150A2R1G	VM3P150A2R5G	VM4P150A2GLG	VM4P150A2R1G	VM4P150A2R5G	VM4P156A2ERN
	M142			VM3P156A2GLG	VM3P156A2R1G	VM3P156A2R5G	VM4P156A2GLG	VM4P156A2R1G	VM4P156A2R5G	VM4P155A2ERN
				VM3P155A2GLG	VM3P155A2R1G	VM3P155A2R5G	VM4P155A2GLG	VM4P155A2R1G	VM4P155A2R5G	VM4P170A2ERN
175	M137	3/4"	Quad Tri 480	VM3P170A2GLG	VM3P170A2R1G	VM3P170A2R5G	VM4P170A2GLG	VM4P170A2R1G	VM4P170A2R5G	VM4P170A2ERN
	M152			VM3P176A2GLG	VM3P176A2R1G	VM3P176A2R5G	VM4P176A2GLG	VM4P176A2R1G	VM4P176A2R5G	VM4P176A2ERN
				VM3P175A2GLG	VM3P175A2R1G	VM3P175A2R5G	VM4P175A2GLG	VM4P175A2R1G	VM4P175A2R5G	VM4P175A2ERN
200	M136	3/4"	Quad Tri 480	VM3P200A2GLG	VM3P200A2R1G	VM3P200A2R5G	VM4P200A2GLG	VM4P200A2R1G	VM4P200A2R5G	VM4P200A2ERN
				VM3P206A2GLG	VM3P206A2R1G	VM3P206A2R5G	VM4P206A2GLG	VM4P206A2R1G	VM4P206A2R5G	VM4P206A2ERN
				VM3P205A2GLG	VM3P205A2R1G	VM3P205A2R5G	VM4P205A2GLG	VM4P205A2R1G	VM4P205A2R5G	VM4P205A2ERN

VM 150 - 200 WATT METAL HALIDE PULSE FLEXIBLE PENDANT										
DESCRIPTION				5-1/2" OPTIC THREAD SIZE <sup>②</sup>			7-3/4" OPTIC THREAD SIZE <sup>②</sup>			
WATTS	ANSI	HUB SIZE <sup>③</sup>	VOLTAGE <sup>④</sup>	GLOBE & GUARD	TYPE I GLASS REFRACTOR & GUARD	TYPE V GLASS REFRACTOR & GUARD	GLOBE & GUARD	TYPE I GLASS REFRACTOR & GUARD	TYPE V GLASS REFRACTOR & GUARD	ENCLOSED REFLECTOR
150	M102	3/4"	Quad Tri 480	VM3P150F2GLG	VM3P150F2R1G	VM3P150F2R5G	VM4P150F2GLG	VM4P150F2R1G	VM4P150F2R5G	VM4P156F2ERN
	M142			VM3P156F2GLG	VM3P156F2R1G	VM3P156F2R5G	VM4P156F2GLG	VM4P156F2R1G	VM4P156F2R5G	VM4P155F2ERN
				VM3P155F2GLG	VM3P155F2R1G	VM3P155F2R5G	VM4P155F2GLG	VM4P155F2R1G	VM4P155F2R5G	VM4P170F2ERN
175	M137	3/4"	Quad Tri 480	VM3P170F2GLG	VM3P170F2R1G	VM3P170F2R5G	VM4P170F2GLG	VM4P170F2R1G	VM4P170F2R5G	VM4P170F2ERN
	M152			VM3P176F2GLG	VM3P176F2R1G	VM3P176F2R5G	VM4P176F2GLG	VM4P176F2R1G	VM4P176F2R5G	VM4P176F2ERN
				VM3P175F2GLG	VM3P175F2R1G	VM3P175F2R5G	VM4P175F2GLG	VM4P175F2R1G	VM4P175F2R5G	VM4P175F2ERN
200	M136	3/4"	Quad Tri 480	VM3P200F2GLG	VM3P200F2R1G	VM3P200F2R5G	VM4P200F2GLG	VM4P200F2R1G	VM4P200F2R5G	VM4P200F2ERN
				VM3P206F2GLG	VM3P206F2R1G	VM3P206F2R5G	VM4P206F2GLG	VM4P206F2R1G	VM4P206F2R5G	VM4P206F2ERN
				VM3P205F2GLG	VM3P205F2R1G	VM3P205F2R5G	VM4P205F2GLG	VM4P205F2R1G	VM4P205F2R5G	VM4P205F2ERN

① See hazardous application data on pages L131 - L140 for limitations.

② Catalog numbers shown are with guard (except enclosed reflector); to omit guard change ending G to N; e.g. VM3P150A2GLN

③ Catalog numbers shown are with 3/4" conduit openings; change 2 to 3 for 1"; e.g. VM3P150A3GLG.

④ Consult catalog logic for other available voltages.

⑤ Add suffix NR for restricted breathing; see page L84 for more information.

# LIGHTING

CERTILITE® V SERIES



## METAL HALIDE PULSE, 150-200W MOGUL BASE HID



Ceiling  
w/ 5-1/2"  
Globe & Guard



Wall  
w/ 5-1/2"  
Refractor & Guard



Ceiling  
w/ Enclosed Reflector



Ceiling  
w/ 7-3/4"  
Globe & Guard



Wall  
w/ 7-3/4"  
Refractor & Guard

VM 150 - 200 WATT METAL HALIDE PULSE CEILING										
DESCRIPTION				5-1/2" OPTIC THREAD SIZE ②			7-3/4" OPTIC THREAD SIZE ②			
WATTS	ANSI	HUB SIZE③	VOLTAGE④	GLOBE & GUARD	TYPE I GLASS REFRACTOR & GUARD	TYPE V GLASS REFRACTOR & GUARD	GLOBE & GUARD	TYPE I GLASS REFRACTOR & GUARD	TYPE V GLASS REFRACTOR & GUARD	ENCLOSED REFLECTOR
150	M102	3/4"	Quad Tri 480	VM3P150X2GLG	VM3P150X2R1G	VM3P150X2R5G	VM4P150X2GLG	VM4P150X2R1G	VM4P150X2R5G	VM4P150X2ERN
	M142			VM3P156X2GLG	VM3P156X2R1G	VM3P156X2R5G	VM4P156X2GLG	VM4P156X2R1G	VM4P156X2R5G	VM4P156X2ERN
				VM3P155X2GLG	VM3P155X2R1G	VM3P155X2R5G	VM4P155X2GLG	VM4P155X2R1G	VM4P155X2R5G	VM4P155X2ERN
175	M137	3/4"	Quad Tri 480	VM3P170X2GLG	VM3P170X2R1G	VM3P170X2R5G	VM4P170X2GLG	VM4P170X2R1G	VM4P170X2R5G	VM4P170X2ERN
	M152			VM3P176X2GLG	VM3P176X2R1G	VM3P176X2R5G	VM4P176X2GLG	VM4P176X2R1G	VM4P176X2R5G	VM4P176X2ERN
				VM3P175X2GLG	VM3P175X2R1G	VM3P175X2R5G	VM4P175X2GLG	VM4P175X2R1G	VM4P175X2R5G	VM4P175X2ERN
200	M136	3/4"	Quad Tri 480	VM3P200X2GLG	VM3P200X2R1G	VM3P200X2R5G	VM4P200X2GLG	VM4P200X2R1G	VM4P200X2R5G	VM4P200X2ERN
				VM3P206X2GLG	VM3P206X2R1G	VM3P206X2R5G	VM4P206X2GLG	VM4P206X2R1G	VM4P206X2R5G	VM4P206X2ERN
				VM3P205X2GLG	VM3P205X2R1G	VM3P205X2R5G	VM4P205X2GLG	VM4P205X2R1G	VM4P205X2R5G	VM4P205X2ERN

VM 150 - 200 WATT METAL HALIDE PULSE WALL										
DESCRIPTION				5-1/2" OPTIC THREAD SIZE ②			7-3/4" OPTIC THREAD SIZE ②			
WATTS	ANSI	HUB SIZE③	VOLTAGE④	GLOBE & GUARD	TYPE I GLASS REFRACTOR & GUARD	TYPE V GLASS REFRACTOR & GUARD	GLOBE & GUARD	TYPE I GLASS REFRACTOR & GUARD	TYPE V GLASS REFRACTOR & GUARD	ENCLOSED REFLECTOR
150	M102	3/4"	Quad Tri 480	VM3P150B2GLG	VM3P150B2R1G	VM3P150B2R5G	VM4P150B2GLG	VM4P150B2R1G	VM4P150B2R5G	VM4P150B2ERN
	M142			VM3P156B2GLG	VM3P156B2R1G	VM3P156B2R5G	VM4P156B2GLG	VM4P156B2R1G	VM4P156B2R5G	VM4P156B2ERN
				VM3P155B2GLG	VM3P155B2R1G	VM3P155B2R5G	VM4P155B2GLG	VM4P155B2R1G	VM4P155B2R5G	VM4P155B2ERN
175	M137	3/4"	Quad Tri 480	VM3P170B2GLG	VM3P170B2R1G	VM3P170B2R5G	VM4P170B2GLG	VM4P170B2R1G	VM4P170B2R5G	VM4P170B2ERN
	M152			VM3P176B2GLG	VM3P176B2R1G	VM3P176B2R5G	VM4P176B2GLG	VM4P176B2R1G	VM4P176B2R5G	VM4P176B2ERN
				VM3P175B2GLG	VM3P175B2R1G	VM3P175B2R5G	VM4P175B2GLG	VM4P175B2R1G	VM4P175B2R5G	VM4P175B2ERN
200	M136	3/4"	Quad Tri 480	VM3P200B2GLG	VM3P200B2R1G	VM3P200B2R5G	VM4P200B2GLG	VM4P200B2R1G	VM4P200B2R5G	VM4P200B2ERN
				VM3P206B2GLG	VM3P206B2R1G	VM3P206B2R5G	VM4P206B2GLG	VM4P206B2R1G	VM4P206B2R5G	VM4P206B2ERN
				VM3P205B2GLG	VM3P205B2R1G	VM3P205B2R5G	VM4P205B2GLG	VM4P205B2R1G	VM4P205B2R5G	VM4P205B2ERN

① See hazardous application data on pages L131 - L140 for limitations.

② Catalog numbers shown are with guard (except enclosed reflectors); to omit guard, change ending G to N; e.g. VM3P050X2GLN

③ Catalog numbers shown are with 3/4" conduit openings, change 2 to 3 for 1"; e.g. VM3P150X3GLG.

④ Consult catalog logic for other available voltages.

⑤ Add suffix NR for restricted breathing; see page L84 for more information.



## METAL HALIDE PULSE, 150-200W MOGUL BASE HID



### VM 150 - 200 WATT METAL HALIDE PULSE CONE

DESCRIPTION				5-1/2" OPTIC THREAD SIZE ②			7-3/4" OPTIC THREAD SIZE ②			
WATTS	ANSI	HUB SIZE ③	VOLTAGE ④	GLOBE & GUARD	TYPE I GLASS REFRACTOR & GUARD	TYPE V GLASS REFRACTOR & GUARD	GLOBE & GUARD	TYPE I GLASS REFRACTOR & GUARD	TYPE V GLASS REFRACTOR & GUARD	ENCLOSED REFLECTOR
150	M102	3/4"	Quad Tri 480	VM3P150C2GLG	VM3P150C2R1G	VM3P150C2R5G	VM4P150C2GLG	VM4P150C2R1G	VM4P150C2R5G	VM4P150C2ERN
	M142			VM3P156C2GLG	VM3P156C2R1G	VM3P156C2R5G	VM4P156C2GLG	VM4P156C2R1G	VM4P156C2R5G	VM4P156C2ERN
				VM3P155C2GLG	VM3P155C2R1G	VM3P155C2R5G	VM4P155C2GLG	VM4P155C2R1G	VM4P155C2R5G	VM4P155C2ERN
175	M137	3/4"	Quad Tri 480	VM3P170C2GLG	VM3P170C2R1G	VM3P170C2R5G	VM4P170C2GLG	VM4P170C2R1G	VM4P170C2R5G	VM4P170C2ERN
	M152			VM3P176C2GLG	VM3P176C2R1G	VM3P176C2R5G	VM4P176C2GLG	VM4P176C2R1G	VM4P176C2R5G	VM4P176C2ERN
				VM3P175C2GLG	VM3P175C2R1G	VM3P175C2R5G	VM4P175C2GLG	VM4P175C2R1G	VM4P175C2R5G	VM4P175C2ERN
200	M136	3/4"	Quad Tri 480	VM3P200C2GLG	VM3P200C2R1G	VM3P200C2R5G	VM4P200C2GLG	VM4P200C2R1G	VM4P200C2R5G	VM4P200C2ERN
				VM3P206C2GLG	VM3P206C2R1G	VM3P206C2R5G	VM4P206C2GLG	VM4P206C2R1G	VM4P206C2R5G	VM4P206C2ERN
				VM3P205C2GLG	VM3P205C2R1G	VM3P205C2R5G	VM4P205C2GLG	VM4P205C2R1G	VM4P205C2R5G	VM4P205C2ERN

### VM 150 - 200 WATT METAL HALIDE PULSE EZ ADAPTER

DESCRIPTION				5-1/2" OPTIC THREAD SIZE ②			7-3/4" OPTIC THREAD SIZE ②			
WATTS	ANSI	HUB SIZE ③	VOLTAGE ④	GLOBE & GUARD	TYPE I GLASS REFRACTOR & GUARD	TYPE V GLASS REFRACTOR & GUARD	GLOBE & GUARD	TYPE I GLASS REFRACTOR & GUARD	TYPE V GLASS REFRACTOR & GUARD	ENCLOSED REFLECTOR
150	M102	⑤	Quad Tri 480	VM3P150EZGLG	VM3P150EZR1G	VM3P150EZR5G	VM4P150EZGLG	VM4P150EZR1G	VM4P150EZR5G	VM4P150EZERN
	M142			VM3P156EZGLG	VM3P156EZR1G	VM3P156EZR5G	VM4P156EZGLG	VM4P156EZR1G	VM4P156EZR5G	VM4P156EZERN
				VM3P155EZGLG	VM3P155EZR1G	VM3P155EZR5G	VM4P155EZGLG	VM4P155EZR1G	VM4P155EZR5G	VM4P155EZERN
175	M137	⑤	Quad Tri 480	VM3P170EZGLG	VM3P170EZR1G	VM3P170EZR5G	VM4P170EZGLG	VM4P170EZR1G	VM4P170EZR5G	VM4P170EZERN
	M152			VM3P176EZGLG	VM3P176EZR1G	VM3P176EZR5G	VM4P176EZGLG	VM4P176EZR1G	VM4P176EZR5G	VM4P176EZERN
				VM3P175EZGLG	VM3P175EZR1G	VM3P175EZR5G	VM4P175EZGLG	VM4P175EZR1G	VM4P175EZR5G	VM4P175EZERN
200	M136	⑤	Quad Tri 480	VM3P200EZGLG	VM3P200EZR1G	VM3P200EZR5G	VM4P200EZGLG	VM4P200EZR1G	VM4P200EZR5G	VM4P200EZERN
				VM3P206EZGLG	VM3P206EZR1G	VM3P206EZR5G	VM4P206EZGLG	VM4P206EZR1G	VM4P206EZR5G	VM4P206EZERN
				VM3P205EZGLG	VM3P205EZR1G	VM3P205EZR5G	VM4P205EZGLG	VM4P205EZR1G	VM4P205EZR5G	VM4P205EZERN

① See hazardous application data on pages L131 - L140 for limitations.

② Catalog numbers shown are with guard (except enclosed reflector); to omit guard change ending G to N; e.g. VM3P150C2GLN

③ Catalog numbers shown are with 3/4" conduit openings; change 2 to 3 for 1"; e.g. VM3P150C3GLG.

④ Consult catalog logic for other available voltages.

⑤ Add suffix NR for restricted breathing; see page L84 for more information.

⑥ VMEZA tank adapters UL "Classified" as an assembly for use between VM Tanks and EZ mounts. Order EZ mounts separately, see page L83.

# LIGHTING

CERTILITE® V SERIES



## METAL HALIDE PULSE, 150-200W MOGUL BASE HID



Stanchion 25°  
w/ 5-1/2"  
Globe & Guard



Stanchion Straight  
w/ 5-1/2"  
Refractor & Guard



Stanchion 25°  
w/ 7-3/4"  
Globe & Guard



Stanchion Straight  
w/ 7-3/4"  
Refractor & Guard



Stanchion 25°  
w/ Enclosed Reflector

VM 150 - 200 WATT METAL HALIDE PULSE STANCHION 25° ANGLE											
DESCRIPTION				5-1/2" OPTIC THREAD SIZE ②			7-3/4" OPTIC THREAD SIZE ②				
WATTS	ANSI	HUB SIZE ③	VOLTAGE ④	GLOBE & GUARD	TYPE I GLASS REFRACTOR & GUARD	TYPE V GLASS REFRACTOR & GUARD	GLOBE & GUARD	TYPE I GLASS REFRACTOR & GUARD	TYPE V GLASS REFRACTOR & GUARD	ENCLOSED REFLECTOR	
150	M102	1-1/2"	Quad Tri 480	VM3P150D5GLG	VM3P150D5R1G	VM3P150D5R5G	VM4P150D5GLG	VM4P150D5R1G	VM4P150D5R5G	VM4P150D5ERN	
	M142			VM3P156D5GLG	VM3P156D5R1G	VM3P156D5R5G	VM4P156D5GLG	VM4P156D5R1G	VM4P156D5R5G	VM4P156D5ERN	
				VM3P155D5GLG	VM3P155D5R1G	VM3P155D5R5G	VM4P155D5GLG	VM4P155D5R1G	VM4P155D5R5G	VM4P155D5ERN	
175	M137	1-1/2"	Quad Tri 480	VM3P170D5GLG	VM3P170D5R1G	VM3P170D5R5G	VM4P170D5GLG	VM4P170D5R1G	VM4P170D5R5G	VM4P170D5ERN	
	M152			VM3P176D5GLG	VM3P176D5R1G	VM3P176D5R5G	VM4P176D5GLG	VM4P176D5R1G	VM4P176D5R5G	VM4P176D5ERN	
				VM3P175D5GLG	VM3P175D5R1G	VM3P175D5R5G	VM4P175D5GLG	VM4P175D5R1G	VM4P175D5R5G	VM4P175D5ERN	
200	M136	1-1/2"	Quad Tri 480	VM3P200D5GLG	VM3P200D5R1G	VM3P200D5R5G	VM4P200D5GLG	VM4P200D5R1G	VM4P200D5R5G	VM4P200D5ERN	
					VM3P206D5GLG	VM3P206D5R1G	VM3P206D5R5G	VM4P206D5GLG	VM4P206D5R1G	VM4P206D5R5G	VM4P206D5ERN
					VM3P205D5GLG	VM3P205D5R1G	VM3P205D5R5G	VM4P205D5GLG	VM4P205D5R1G	VM4P205D5R5G	VM4P205D5ERN

VM 150 - 200 WATT METAL HALIDE PULSE STANCHION STRAIGHT											
DESCRIPTION				5-1/2" OPTIC THREAD SIZE ②			7-3/4" OPTIC THREAD SIZE ②				
WATTS	ANSI	HUB SIZE ③	VOLTAGE ④	GLOBE & GUARD	TYPE I GLASS REFRACTOR & GUARD	TYPE V GLASS REFRACTOR & GUARD	GLOBE & GUARD	TYPE I GLASS REFRACTOR & GUARD	TYPE V GLASS REFRACTOR & GUARD	ENCLOSED REFLECTOR	
150	M102	1-1/2"	Quad Tri 480	VM3P150S5GLG	VM3P150S5R1G	VM3P150S5R5G	VM4P150S5GLG	VM4P150S5R1G	VM4P150S5R5G	VM4P150S5ERN	
	M142			VM3P156S5GLG	VM3P156S5R1G	VM3P156S5R5G	VM4P156S5GLG	VM4P156S5R1G	VM4P156S5R5G	VM4P156S5ERN	
				VM3P155S5GLG	VM3P155S5R1G	VM3P155S5R5G	VM4P155S5GLG	VM4P155S5R1G	VM4P155S5R5G	VM4P155S5ERN	
175	M137	1-1/2"	Quad Tri 480	VM3P170S5GLG	VM3P170S5R1G	VM3P170S5R5G	VM4P170S5GLG	VM4P170S5R1G	VM4P170S5R5G	VM4P170S5ERN	
	M152			VM3P176S5GLG	VM3P176S5R1G	VM3P176S5R5G	VM4P176S5GLG	VM4P176S5R1G	VM4P176S5R5G	VM4P176S5ERN	
				VM3P175S5GLG	VM3P175S5R1G	VM3P175S5R5G	VM4P175S5GLG	VM4P175S5R1G	VM4P175S5R5G	VM4P175S5ERN	
200	M136	1-1/2"	Quad Tri 480	VM3P200S5GLG	VM3P200S5R1G	VM3P200S5R5G	VM4P200S5GLG	VM4P200S5R1G	VM4P200S5R5G	VM4P200S5ERN	
					VM3P206S5GLG	VM3P206S5R1G	VM3P206S5R5G	VM4P206S5GLG	VM4P206S5R1G	VM4P206S5R5G	VM4P206S5ERN
					VM3P205S5GLG	VM3P205S5R1G	VM3P205S5R5G	VM4P205S5GLG	VM4P205S5R1G	VM4P205S5R5G	VM4P205S5ERN

① See hazardous application data on pages L131 - L140 for limitations.

② Catalog numbers shown are with guard (except enclosed reflectors); to omit guard change ending G to N; e.g. VM3P150D5GLN

③ Catalog numbers shown are with 1-1/2" conduit openings, change 5 to 4 for 1-1/4"; e.g. VM3P150D4GLG.

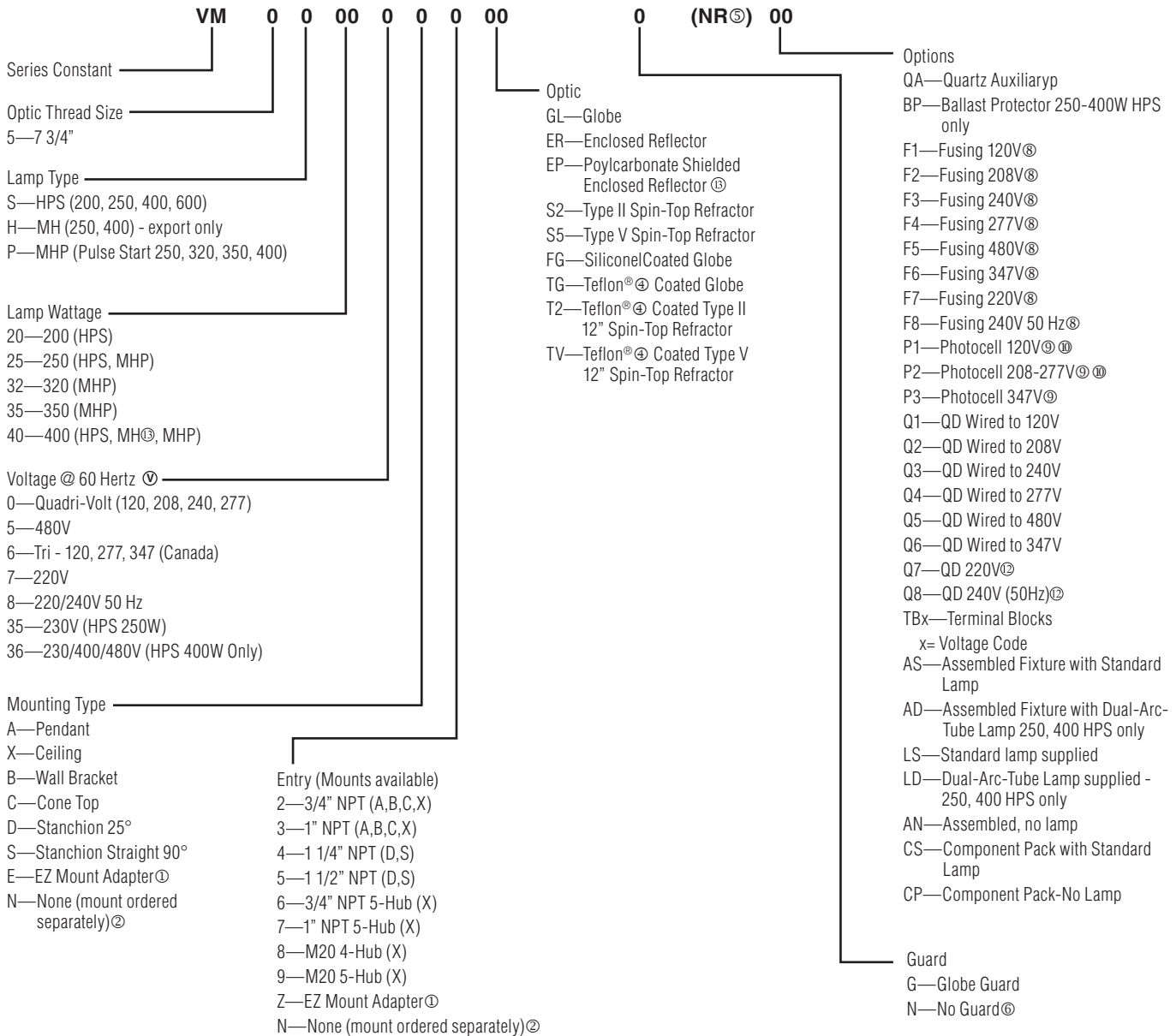
④ Consult catalog logic for other available voltages.

⑤ Add suffix NR for restricted breathing; see page L84 for more information.



## VM5 CATALOG ORDERING LOGIC

### CertiLite® Catalog Number Logic; 200-400 High Wattage (Mogul Base) HID Fixtures



① Completes as "EZ", conduit mounting boxes ordered separately.  
 ② NN mount ordered separately.  
 ③ Silicone coated globe for additional impact protection.  
 ④ Teflon® is a registered trademark of DuPont, Inc.  
 ⑤ Restricted Breathing - See L84 for more information.  
 ⑥ Order Guards for Spin-Tops & VMER40 separately. Consult factory for available lamp and voltage combinations  
 ⑦ QA not suitable for Class I, Div. 2/Zone 2 applications; consult factory for other hazardous applications.  
 ⑧ Fusing not for Marine or Canadian installations.

⑨ Photo cells for Class I, Div. 2 only, or C122 nR not Class II.  
 ⑩ Field connection to proper tap in case of Multitap Ballasts.  
 ⑪ Not for use with wall or straight (90°) Stanchion.  
 ⑫ QD = Quick Disconnect. Allows easy tank removal for maintenance. Electrician simply unplugs de-energized ballast from supply circuit.  
 ⑬ 400W M59 fixtures and EXPORT ONLY (EISA LAW).

**CERTILITE® V**  
*The Logical Choice*



# LIGHTING

## CERTILITE® V SERIES



### HIGH PRESSURE SODIUM, 200-600W MOGUL BASE HID



Class I, Div. 2, Groups A,B,C,D<sup>①</sup>  
 Class I, Zone 2, Groups IIC, IIB, IIA  
 Class II, Div. 1 & 2, Groups E,F,G  
 Class III  
 Suitable for wet locations  
 NEMA 3, 4, 4X  
 IP66  
 cUL<sup>US</sup> LISTED - File E10514 (Hazardous & Marine)  
 cSAB<sup>US</sup> Certified - File LR11713  
 NR Restricted Breathing Option<sup>⑤</sup>  
 Class I, Zone 2 AEx nAnR  
 Class I, Zone 2 Ex nR, cUL<sup>US</sup>

VM 200 - 600 WATT HIGH PRESSURE SODIUM PENDANT							
DESCRIPTION				7-3/4" OPTIC THREAD SIZE <sup>②</sup>			
WATTS	ANSI	HUB SIZE <sup>③</sup>	VOLTAGE <sup>④</sup>	GLOBE & GUARD	TYPE V SPIN-TOP GLASS REFRACTOR	ENCLOSED REFLECTOR	POLYCARBONATE SHIELDED ENCLOSED REFLECTOR
200	S66	3/4"	Quad Tri 480	VM5S200A2GLG	VM5S200A2S5N	VM5S200A2ERN	VM5S200A2EPN
				VM5S206A2GLG	VM5S206A2S5N	VM5S206A2ERN	VM5S206A2EPN
				VM5S205A2GLG	VM5S205A2S5N	VM5S205A2ERN	VM5S205A2EPN
250	S50	3/4"	Quad Tri 480	VM5S250A2GLG	VM5S250A2S5N	VM5S250A2ERN	VM5S250A2EPN
				VM5S256A2GLG	VM5S256A2S5N	VM5S256A2ERN	VM5S256A2EPN
				VM5S255A2GLG	VM5S255A2S5N	VM5S255A2ERN	VM5S255A2EPN
400	S51	3/4"	Quad Tri 480	VM5S400A2GLG	VM5S400A2S5N	VM5S400A2ERN	VM5S400A2EPN
				VM5S406A2GLG	VM5S406A2S5N	VM5S406A2ERN	VM5S406A2EPN
				VM5S405A2GLG	VM5S405A2S5N	VM5S405A2ERN	VM5S405A2EPN
600	S106	3/4"	Quad Tri 480	—	—	VM5S600A2ERN	—
				—	—	VM5S606A2ERN	—
				—	—	VM5S605A2ERN	—

VM 200 - 600 WATT HIGH PRESSURE SODIUM CEILING							
DESCRIPTION				7-3/4" OPTIC THREAD SIZE <sup>②</sup>			
WATTS	ANSI	HUB SIZE <sup>③</sup>	VOLTAGE <sup>④</sup>	GLOBE & GUARD	TYPE V SPIN-TOP GLASS REFRACTOR	ENCLOSED REFLECTOR	POLYCARBONATE SHIELDED ENCLOSED REFLECTOR
200	S66	3/4"	Quad Tri 480	VM5S200X2GLG	VM5S200X2S5N	VM5S200X2ERN	VM5S200X2EPN
				VM5S206X2GLG	VM5S206X2S5N	VM5S206X2ERN	VM5S206X2EPN
				VM5S205X2GLG	VM5S205X2S5N	VM5S205X2ERN	VM5S205X2EPN
250	S50	3/4"	Quad Tri 480	VM5S250X2GLG	VM5S250X2S5N	VM5S250X2ERN	VM5S250X2EPN
				VM5S256X2GLG	VM5S256X2S5N	VM5S256X2ERN	VM5S256X2EPN
				VM5S255X2GLG	VM5S255X2S5N	VM5S255X2ERN	VM5S255X2EPN
400	S51	3/4"	Quad Tri 480	VM5S400X2GLG	VM5S400X2S5N	VM5S400X2ERN	VM5S400X2EPN
				VM5S406X2GLG	VM5S406X2S5N	VM5S406X2ERN	VM5S406X2EPN
				VM5S405X2GLG	VM5S405X2S5N	VM5S405X2ERN	VM5S405X2EPN
600	S106	3/4"	Quad Tri 480	—	—	VM5S600X2ERN	—
				—	—	VM5S606X2ERN	—
				—	—	VM5S605X2ERN	—

① See hazardous application data on pages L131 - L140 for limitations.  
 ② Globe catalog number shown with guard. To omit guard, change G to N; e.g. VM5S200A2GLN. Order spin top and enclosed reflector guards separately.  
 ③ Catalog numbers shown are with 3/4" conduit openings, change 2 to 3 for 1"; e.g. VM5S200A3GLG.  
 ④ Consult catalog logic for other available voltages.  
 ⑤ Add suffix NR for restricted breathing; see page L84 for more information.



HIGH PRESSURE SODIUM, 200-600W MOGUL BASE HID



Wall  
w/ Globe &  
Guard



Wall  
w/ Spin-Top  
Refractor



Cone  
w/ Enclosed  
Reflector

VM 200 - 600 WATT HIGH PRESSURE SODIUM WALL							
DESCRIPTION				7-3/4" OPTIC THREAD SIZE ②			
WATTS	ANSI	HUB SIZE③	VOLTAGE④	GLOBE & GUARD	TYPE V SPIN-TOP GLASS REFRACTOR	ENCLOSED REFLECTOR	POLYCARBONATE SHIELDED ENCLOSED REFLECTOR
200	S66	3/4"	Quad Tri 480	VM5S200B2GLG	VM5S200B2S5N	VM5S200B2ERN	—
				VM5S206B2GLG	VM5S206B2S5N	VM5S206B2ERN	—
				VM5S205B2GLG	VM5S205B2S5N	VM5S205B2ERN	—
250	S50	3/4"	Quad Tri 480	VM5S250B2GLG	VM5S250B2S5N	VM5S250B2ERN	—
				VM5S256B2GLG	VM5S256B2S5N	VM5S256B2ERN	—
				VM5S255B2GLG	VM5S255B2S5N	VM5S255B2ERN	—
400	S51	3/4"	Quad Tri 480	VM5S400B2GLG	VM5S400B2S5N	VM5S400B2ERN	—
				VM5S406B2GLG	VM5S406B2S5N	VM5S406B2ERN	—
				VM5S405B2GLG	VM5S405B2S5N	VM5S405B2ERN	—
600	S106	3/4"	Quad Tri 480	—	—	VM5S600B2ERN	—
				—	—	VM5S606B2ERN	—
				—	—	VM5S605B2ERN	—

VM 200 - 600 WATT HIGH PRESSURE SODIUM CONE							
DESCRIPTION				7-3/4" OPTIC THREAD SIZE ②			
WATTS	ANSI	HUB SIZE③	VOLTAGE④	GLOBE & GUARD	TYPE V SPIN-TOP GLASS REFRACTOR	ENCLOSED REFLECTOR	POLYCARBONATE SHIELDED ENCLOSED REFLECTOR
200	S66	3/4"	Quad Tri 480	VM5S200C2GLG	VM5S200C2S5N	VM5S200C2ERN	VM5S200C2EPN
				VM5S206C2GLG	VM5S206C2S5N	VM5S206C2ERN	VM5S206C2EPN
				VM5S205C2GLG	VM5S205C2S5N	VM5S205C2ERN	VM5S205C2EPN
250	S50	3/4"	Quad Tri 480	VM5S250C2GLG	VM5S250C2S5N	VM5S250C2ERN	VM5S250C2EPN
				VM5S256C2GLG	VM5S256C2S5N	VM5S256C2ERN	VM5S256C2EPN
				VM5S255C2GLG	VM5S255C2S5N	VM5S255C2ERN	VM5S255C2EPN
400	S51	3/4"	Quad Tri 480	VM5S400C2GLG	VM5S400C2S5N	VM5S400C2ERN	VM5S400C2EPN
				VM5S406C2GLG	VM5S406C2S5N	VM5S406C2ERN	VM5S406C2EPN
				VM5S405C2GLG	VM5S405C2S5N	VM5S405C2ERN	VM5S405C2EPN
600	S106	3/4"	Quad Tri 480	—	—	VM5S600C2ERN	—
				—	—	VM5S606C2ERN	—
				—	—	VM5S605C2ERN	—

① See hazardous application data on pages L131 - L140 for limitations.

② Globe catalog number shown with guard. To omit guard, change G to N; e.g. VM5S200B2GLN. Order spin top and enclosed reflector guards separately.

③ Catalog numbers shown are with 3/4" conduit openings, change 2 to 3 for 1"; e.g. VM5S200B3GLG.

④ Consult catalog logic for other available voltages.

⑤ Add suffix NR for restricted breathing; see page L84 for more information.

# LIGHTING

CERTILITE® V SERIES



## HIGH PRESSURE SODIUM, 200-600W MOGUL BASE HID



Stanchion 25°  
w/ Globe & Guard



Stanchion 25°  
w/ Spin-Top  
Refractor



Stanchion Straight  
w/ Enclosed Reflector

VM 200 - 600 WATT HIGH PRESSURE SODIUM STANCHION 25° ANGLE						
DESCRIPTION				7-3/4" OPTIC THREAD SIZE ©		
WATTS	ANSI	HUB SIZE®	VOLTAGE④	GLOBE & GUARD	TYPE V SPIN-TOP GLASS REFRACTOR	ENCLOSED REFLECTOR
200	S66	1-1/2"	Quad Tri 480	VM5S200D5GLG	VM5S200D5S5N	VM5S200D5ERN
				VM5S206D5GLG	VM5S206D5S5N	VM5S206D5ERN
				VM5S205D5GLG	VM5S205D5S5N	VM5S205D5ERN
250	S50	1-1/2"	Quad Tri 480	VM5S250D5GLG	VM5S250D5S5N	VM5S250D5ERN
				VM5S256D5GLG	VM5S256D5S5N	VM5S256D5ERN
				VM5S255D5GLG	VM5S255D5S5N	VM5S255D5ERN
400	S51	1-1/2"	Quad Tri 480	VM5S400D5GLG	VM5S400D5S5N	VM5S400D5ERN
				VM5S406D5GLG	VM5S406D5S5N	VM5S406D5ERN
				VM5S405D5GLG	VM5S405D5S5N	VM5S405D5ERN
600	S106	1-1/2"	Quad Tri 480	—	—	VM5S600D5ERN
				—	—	VM5S606D5ERN
				—	—	VM5S605D5ERN

VM 200 - 600 WATT HIGH PRESSURE SODIUM STANCHION 25° ANGLE						
DESCRIPTION				7-3/4" OPTIC THREAD SIZE ©		
WATTS	ANSI	HUB SIZE®	VOLTAGE④	GLOBE & GUARD	TYPE V SPIN-TOP GLASS REFRACTOR	ENCLOSED REFLECTOR
200	S66	1-1/2"	Quad Tri 480	VM5S200S5GLG	VM5S200S5S5N	VM5S200S5ERN
				VM5S206S5GLG	VM5S206S5S5N	VM5S206S5ERN
				VM5S205S5GLG	VM5S205S5S5N	VM5S205S5ERN
250	S50	1-1/2"	Quad Tri 480	VM5S250S5GLG	VM5S250S5S5N	VM5S250S5ERN
				VM5S256S5GLG	VM5S256S5S5N	VM5S256S5ERN
				VM5S255S5GLG	VM5S255S5S5N	VM5S255S5ERN
400	S51	1-1/2"	Quad Tri 480	VM5S400S5GLG	VM5S400S5S5N	VM5S400S5ERN
				VM5S406S5GLG	VM5S406S5S5N	VM5S406S5ERN
				VM5S405S5GLG	VM5S405S5S5N	VM5S405S5ERN
600	S106	1-1/2"	Quad Tri 480	—	—	VM5S600S5ERN
				—	—	VM5S606S5ERN
				—	—	VM5S605S5ERN

① See hazardous application data on pages L131 - L140 for limitations.  
 ② Globe catalog number shown with guard. To omit guard, change G to N; e.g. VM5S200D5GLN. Order spin top and enclosed reflector guards separately.  
 ③ Catalog numbers shown are with 1-1/2" conduit openings, change 5 to 4 for 1-1/4"; e.g. VM5S200D4GLG.  
 ④ Consult catalog logic for other available voltages.  
 ⑤ Add suffix NR for restricted breathing; see page L84 for more information.



## HIGH PRESSURE SODIUM, 200-600W MOGUL BASE HID



EZ Adapter  
w/ Globe & Guard



EZ Adapter  
w/ Spin-Top  
Refractor



EZ Adapter  
w/ Enclosed  
Reflector

VM 200 - 600 WATT HIGH PRESSURE SODIUM EZ ADAPTER							
DESCRIPTION				7-3/4" OPTIC THREAD SIZE ②			
WATTS	ANSI	HUB SIZE ③	VOLTAGE ④	GLOBE & GUARD	TYPE V SPIN-TOP GLASS REFRACTOR	ENCLOSED REFLECTOR	POLYCARBONATE SHIELDED ENCLOSED REFLECTOR
200	S66	③	Quad Tri 480	VM5S200EZGLG	VM5S200EZS5N	VM5S200EZERN	VM5S200EZEPN
				VM5S206EZGLG	VM5S206EZS5N	VM5S206EZERN	VM5S206EZEPN
				VM5S205EZGLG	VM5S205EZS5N	VM5S205EZERN	VM5S205EZEPN
250	S50	③	Quad Tri 480	VM5S250EZGLG	VM5S250EZS5N	VM5S250EZERN	VM5S250EZEPN
				VM5S256EZGLG	VM5S256EZS5N	VM5S256EZERN	VM5S256EZEPN
				VM5S255EZGLG	VM5S255EZS5N	VM5S255EZERN	VM5S255EZEPN
400	S51	③	Quad Tri 480	VM5S400EZGLG	VM5S400EZS5N	VM5S400EZERN	VM5S400EZEPN
				VM5S406EZGLG	VM5S406EZS5N	VM5S406EZERN	VM5S406EZEPN
				VM5S405EZGLG	VM5S405EZS5N	VM5S405EZERN	VM5S405EZEPN
600	S106	③	Quad Tri 480	—	—	VM5S600EZERN	—
				—	—	VM5S606EZERN	—
				—	—	VM5S605EZERN	—



Pendant



Ceiling



Wall Bracket



25° Stanchion

MOUNTING BOXES				
CATALOG NUMBER				HUB SIZE
PENDANT	CEILING	BRACKET	STANCHION	
EZA2	EZX2	EZB2	—	3/4"
EZA3	EZX3	EZB3	—	1"
—	—	—	EZD4A*	1-1/4"/1-1/2"**

\* 1-1/2" furnished with 1-1/2"-1-1/4" reducer and extension. Extension only part number EZDVMA.

① See hazardous application data on pages L131 - L140 for limitations.

② Globe catalog number shown with guard. To omit guard, change G to N; e.g. VM5S200EZGLN. Order spin top and enclosed reflector guards separately.

③ VMEZA tank adapters UL "classified" as an assembly for use between VM tanks and EZ mounts. See above for separate ordering information

④ Consult catalog logic for other available voltages.

⑤ Add suffix NR for restricted breathing; see page L84 for more information.

⑥ VMEP40 not for use with EZ wall bracket.

# LIGHTING

CERTILITE® V SERIES



## METAL HALIDE, 400W MOGUL BASE HID



Pendant  
w/ Globe & Guard



Ceiling  
w/ Globe & Guard



Wall  
w/ Spin-Top  
Refractor



Cone  
w/ Enclosed  
Reflector

Class I, Div. 2, Groups A,B,C,D<sup>①</sup>  
Class I, Zone 2, Groups IIC, IIB, IIA  
Class II, Div. 1 & 2, Groups E,F,G  
Class III

Suitable for wet locations  
NEMA 3, 4, 4X  
IP66

LISTED - File E10514 (Hazardous & Marine)

Certified - File LR11713

NR Restricted Breathing Option<sup>⑤</sup>

Class I, Zone 2 AEx nAnR  
Class I, Zone 2 Ex nR,

VM 400 WATT METAL HALIDE PENDANT							
DESCRIPTION				7-3/4" OPTIC THREAD SIZE <sup>②</sup>			
WATTS	ANSI	HUB SIZE <sup>③</sup>	VOLTAGE <sup>④</sup>	GLOBE & GUARD	TYPE V SPIN-TOP GLASS REFRACTOR	ENCLOSED REFLECTOR	POLYCARBONATE SHIELDED ENCLOSED REFLECTOR
400 <sup>⑥</sup>	M59	3/4"	Quad Tri 480	VM5H400A2GLG	VM5H400A2S5N	VM5H400A2ERN	VM5H400A2EPN
				VM5H406A2GLG	VM5H406A2S5N	VM5H406A2ERN	VM5H406A2EPN
				VM5H405A2GLG	VM5H405A2S5N	VM5H405A2ERN	VM5H405A2EPN

VM 400 WATT METAL HALIDE CEILING							
DESCRIPTION				7-3/4" OPTIC THREAD SIZE <sup>②</sup>			
WATTS	ANSI	HUB SIZE <sup>③</sup>	VOLTAGE <sup>④</sup>	GLOBE & GUARD	TYPE V SPIN-TOP GLASS REFRACTOR	ENCLOSED REFLECTOR	POLYCARBONATE SHIELDED ENCLOSED REFLECTOR
400 <sup>⑥</sup>	M59	3/4"	Quad Tri 480	VM5H400X2GLG	VM5H400X2S5N	VM5H400X2ERN	VM5H400X2EPN
				VM5H406X2GLG	VM5H406X2S5N	VM5H406X2ERN	VM5H406X2EPN
				VM5H405X2GLG	VM5H405X2S5N	VM5H405X2ERN	VM5H405X2EPN

VM 400 WATT METAL HALIDE WALL							
DESCRIPTION				7-3/4" OPTIC THREAD SIZE <sup>②</sup>			
WATTS	ANSI	HUB SIZE <sup>③</sup>	VOLTAGE <sup>④</sup>	GLOBE & GUARD	TYPE V SPIN-TOP GLASS REFRACTOR	ENCLOSED REFLECTOR	POLYCARBONATE SHIELDED ENCLOSED REFLECTOR
400 <sup>⑥</sup>	M59	3/4"	Quad Tri 480	VM5H400B2GLG	VM5H400B2S5N	VM5H400B2ERN	—
				VM5H406B2GLG	VM5H406B2S5N	VM5H406B2ERN	—
				VM5H405B2GLG	VM5H405B2S5N	VM5H405B2ERN	—

VM 400 WATT METAL HALIDE CONE							
DESCRIPTION				7-3/4" OPTIC THREAD SIZE <sup>②</sup>			
WATTS	ANSI	HUB SIZE <sup>③</sup>	VOLTAGE <sup>④</sup>	GLOBE & GUARD	TYPE V SPIN-TOP GLASS REFRACTOR	ENCLOSED REFLECTOR	POLYCARBONATE SHIELDED ENCLOSED REFLECTOR
400 <sup>⑥</sup>	M59	3/4"	Quad Tri 480	VM5H400C2GLG	VM5H400C2S5N	VM5H400C2ERN	VM5H400C2EPN
				VM5H406C2GLG	VM5H406C2S5N	VM5H406C2ERN	VM5H406C2EPN
				VM5H405C2GLG	VM5H405C2S5N	VM5H405C2ERN	VM5H405C2EPN

① See hazardous application data on pages L131 - L140 for limitations.  
 ② Globe catalog number shown with guard. To omit guard, change G to N; e.g. VM5H400A2GLN. Order spin top and enclosed reflector guards separately.  
 ③ Catalog numbers shown are with 3/4" conduit openings, change 2 to 3 for 1"; e.g. VM5H400A3GLG.  
 ④ Consult catalog logic for other available voltages.  
 ⑤ Add suffix NR for restricted breathing; see page L84 for more information.  
 ⑥ 400W M59 Fixtures are EXPORT ONLY (EISA LAW).



METAL HALIDE, 400W MOGUL BASE HID



Stanchion 25°  
w/ Globe & Guard



Stanchion 90°  
w/ Spin-Top  
Refractor



EZ Adapter  
w/ Enclosed  
Reflector

VM 400 WATT METAL HALIDE STANCHION 25° ANGLE							
DESCRIPTION				7-3/4" OPTIC THREAD SIZE ②			
WATTS	ANSI	HUB SIZE ③	VOLTAGE ④	GLOBE & GUARD	TYPE V SPIN-TOP GLASS REFRACTOR	ENCLOSED REFLECTOR	POLYCARBONATE SHIELDED ENCLOSED REFLECTOR
400 ⑥	M59	1-1/2"	Quad Tri 480	VM5H400D5GLG	VM5H400D5S5N	VM5H400D5ERN	—
				VM5H406D5GLG	VM5H406D5S5N	VM5H406D5ERN	—
				VM5H405D5GLG	VM5H405D5S5N	VM5H405D5ERN	—

VM 400 WATT METAL HALIDE STANCHION STRAIGHT							
DESCRIPTION				7-3/4" OPTIC THREAD SIZE ②			
WATTS	ANSI	HUB SIZE ③	VOLTAGE ④	GLOBE & GUARD	TYPE V SPIN-TOP GLASS REFRACTOR	ENCLOSED REFLECTOR	POLYCARBONATE SHIELDED ENCLOSED REFLECTOR
400 ⑥	M59	1-1/2"	Quad Tri 480	VM5H400S5GLG	VM5H400S5S5N	VM5H400S5ERN	—
				VM5H406S5GLG	VM5H406S5S5N	VM5H406S5ERN	—
				VM5H405S5GLG	VM5H405S5S5N	VM5H405S5ERN	—

VM 400 WATT METAL HALIDE EZ ADAPTER							
DESCRIPTION				7-3/4" OPTIC THREAD SIZE ②			
WATTS	ANSI	HUB SIZE ⑦	VOLTAGE ④	GLOBE & GUARD	TYPE V SPIN-TOP GLASS REFRACTOR	ENCLOSED REFLECTOR	POLYCARBONATE SHIELDED ENCLOSED REFLECTOR
400 ⑥	M59	⑦	Quad Tri 480	VM5H400EZGLG	VM5H400EZS5N	VM5H400EZERN	VM5H400EZEPN
				VM5H406EZGLG	VM5H406EZS5N	VM5H406EZERN	VM5H406EZEPN
				VM5H405EZGLG	VM5H405EZS5N	VM5H405EZERN	VM5H405EZEPN

① See hazardous application data on pages L131 - L140 for limitations.  
 ② Globe catalog number shown with guard. To omit guard, change G to N; e.g. VM5H400D5GLN. Order spin top and enclosed reflector guards separately.  
 ③ Catalog numbers shown with 1-1/2" conduit openings; change 5 to 4 for 1-1/4"; e.g. VM5H400D4GLG.  
 ④ Consult catalog logic for other available voltages.  
 ⑤ Add suffix NR for restricted breathing; see page L84 for more information.  
 ⑥ 400W M59 Fixtures are EXPORT ONLY (EISA LAW).  
 ⑦ VMEZA tank adapters UL "classified" as an assembly for use between VM tanks and EZ mounts. Order EZ mounts separately.  
 ⑧ VMEP40 not for use with EZ wall bracket.

# LIGHTING

CERTILITE® V SERIES



## METAL HALIDE PULSE, 400W MOGUL BASE HID



Pendant  
w/ Globe & Guard



Pendant  
w/ Spin-Top  
Refractor



Ceiling  
w/ Enclosed Reflector

VM 250 - 400 WATT METAL HALIDE PULSE PENDANT								
DESCRIPTION				7-3/4" OPTIC THREAD SIZE ②				
WATTS	ANSI	HUB SIZE ③	VOLTAGE ④	GLOBE & GUARD	TYPE V SPIN-TOP GLASS REFRACTOR	ENCLOSED REFLECTOR	POLYCARBONATE SHIELDED ENCLOSED REFLECTOR	
250	M138	3/4"	Quad Tri 480	VM5P250A2GLG	VM5P250A2S5N	VM5P250A2ERN	VM5P250A2EPN	
	M153			VM5P256A2GLG	VM5P256A2S5N	VM5P256A2ERN	VM5P256A2EPN	
				VM5P255A2GLG	VM5P255A2S5N	VM5P255A2ERN	VM5P255A2EPN	
320	M132	3/4"	Quad Tri 480	VM5P320A2GLG	VM5P320A2S5N	VM5P320A2ERN	VM5P320A2EPN	
	M154			VM5P326A2GLG	VM5P326A2S5N	VM5P326A2ERN	VM5P326A2EPN	
				VM5P325A2GLG	VM5P325A2S5N	VM5P325A2ERN	VM5P325A2EPN	
350	M131	3/4"	Quad Tri 480	VM5P350A2GLG	VM5P350A2S5N	VM5P350A2ERN	VM5P350A2EPN	
					VM5P356A2GLG	VM5P356A2S5N	VM5P356A2ERN	VM5P356A2EPN
					VM5P355A2GLG	VM5P355A2S5N	VM5P355A2ERN	VM5P355A2EPN
400	M135	3/4"	Quad Tri 480	VM5P400A2GLG	VM5P400A2S5N	VM5P400A2ERN	VM5P400A2EPN	
	M155			VM5P406A2GLG	VM5P406A2S5N	VM5P406A2ERN	VM5P406A2EPN	
					VM5P405A2GLG	VM5P405A2S5N	VM5P405A2ERN	VM5P405A2EPN

VM 250 - 400 WATT METAL HALIDE PULSE CEILING								
DESCRIPTION				7-3/4" OPTIC THREAD SIZE ②				
WATTS	ANSI	HUB SIZE ③	VOLTAGE ④	GLOBE & GUARD	TYPE V SPIN-TOP GLASS REFRACTOR	ENCLOSED REFLECTOR	POLYCARBONATE SHIELDED ENCLOSED REFLECTOR	
250	M138	3/4"	Quad Tri 480	VM5P250X2GLG	VM5P250X2S5N	VM5P250X2ERN	VM5P250X2EPN	
	M153			VM5P256X2GLG	VM5P256X2S5N	VM5P256X2ERN	VM5P256X2EPN	
					VM5P255X2GLG	VM5P255X2S5N	VM5P255X2ERN	VM5P255X2EPN
320	M132	3/4"	Quad Tri 480	VM5P320X2GLG	VM5P320X2S5N	VM5P320X2ERN	VM5P320X2EPN	
	M154			VM5P326X2GLG	VM5P326X2S5N	VM5P326X2ERN	VM5P326X2EPN	
					VM5P325X2GLG	VM5P325X2S5N	VM5P325X2ERN	VM5P325X2EPN
350	M131	3/4"	Quad Tri 480	VM5P350X2GLG	VM5P350X2S5N	VM5P350X2ERN	VM5P350X2EPN	
					VM5P356X2GLG	VM5P356X2S5N	VM5P356X2ERN	VM5P356X2EPN
					VM5P355X2GLG	VM5P355X2S5N	VM5P355X2ERN	VM5P355X2EPN
400	M135	3/4"	Quad Tri 480	VM5P400X2GLG	VM5P400X2S5N	VM5P400X2ERN	VM5P400X2EPN	
	M155			VM5P406X2GLG	VM5P406X2S5N	VM5P406X2ERN	VM5P406X2EPN	
					VM5P405X2GLG	VM5P405X2S5N	VM5P405X2ERN	VM5P405X2EPN

- ① See hazardous application data on pages L131 - L140 for limitations.
- ② Globe catalog number shown with guard. To omit guard, change G to N; e.g. VM5P250A2GLN. Order spin top and enclosed reflector guards separately.
- ③ Catalog numbers shown are with 3/4" conduit openings, change 2 to 3 for 1"; e.g. VM5P250A3GLG.
- ④ Consult catalog logic for other available voltages.
- ⑤ Add suffix NR for restricted breathing; see page L84 for more information.



METAL HALIDE PULSE, 400W MOGUL BASE HID



Wall  
w/ Globe & Guard



Wall  
w/ Spin-Top  
Refractor



Cone  
w/ Enclosed Reflector

VM 250 - 400 WATT METAL HALIDE PULSE WALL								
DESCRIPTION				7-3/4" OPTIC THREAD SIZE ②				
WATTS	ANSI	HUB SIZE③	VOLTAGE④	GLOBE & GUARD	TYPE V SPIN-TOP GLASS REFRACTOR	ENCLOSED REFLECTOR	POLYCARBONATE SHIELDED ENCLOSED REFLECTOR	
250	M138	3/4"	Quad Tri 480	VM5P250B2GLG	VM5P250B2S5N	VM5P250B2ERN	—	
	M153			VM5P256B2GLG	VM5P256B2S5N	VM5P256B2ERN	—	
				VM5P255B2GLG	VM5P255B2S5N	VM5P255B2ERN	—	
320	M132	3/4"	Quad Tri 480	VM5P320B2GLG	VM5P320B2S5N	VM5P320B2ERN	—	
	M154			VM5P326B2GLG	VM5P326B2S5N	VM5P326B2ERN	—	
				VM5P325B2GLG	VM5P325B2S5N	VM5P325B2ERN	—	
350	M131	3/4"	Quad Tri 480	VM5P350B2GLG	VM5P350B2S5N	VM5P350B2ERN	—	
					VM5P356B2GLG	VM5P356B2S5N	VM5P356B2ERN	—
					VM5P355B2GLG	VM5P355B2S5N	VM5P355B2ERN	—
400	M135	3/4"	Quad Tri 480	VM5P400B2GLG	VM5P400B2S5N	VM5P400B2ERN	—	
	M155			VM5P406B2GLG	VM5P406B2S5N	VM5P406B2ERN	—	
					VM5P405B2GLG	VM5P405B2S5N	VM5P405B2ERN	—

VM 250 - 400 WATT METAL HALIDE PULSE CONE								
DESCRIPTION				7-3/4" OPTIC THREAD SIZE ②				
WATTS	ANSI	HUB SIZE③	VOLTAGE④	GLOBE & GUARD	TYPE V SPIN-TOP GLASS REFRACTOR	ENCLOSED REFLECTOR	POLYCARBONATE SHIELDED ENCLOSED REFLECTOR	
250	M138	3/4"	Quad Tri 480	VM5P250C2GLG	VM5P250C2S5N	VM5P250C2ERN	VM5P250C2EPN	
	M153			VM5P256C2GLG	VM5P256C2S5N	VM5P256C2ERN	VM5P256C2EPN	
					VM5P255C2GLG	VM5P255C2S5N	VM5P255C2ERN	VM5P255C2EPN
320	M132	3/4"	Quad Tri 480	VM5P320C2GLG	VM5P320C2S5N	VM5P320C2ERN	VM5P320C2EPN	
	M154			VM5P326C2GLG	VM5P326C2S5N	VM5P326C2ERN	VM5P326C2EPN	
					VM5P325C2GLG	VM5P325C2S5N	VM5P325C2ERN	VM5P325C2EPN
350	M131	3/4"	Quad Tri 480	VM5P350C2GLG	VM5P350C2S5N	VM5P350C2ERN	VM5P350C2EPN	
					VM5P356C2GLG	VM5P356C2S5N	VM5P356C2ERN	VM5P356C2EPN
					VM5P355C2GLG	VM5P355C2S5N	VM5P355C2ERN	VM5P355C2EPN
400	M135	3/4"	Quad Tri 480	VM5P400C2GLG	VM5P400C2S5N	VM5P400C2ERN	VM5P400C2EPN	
				M155	VM5P406C2GLG	VM5P406C2S5N	VM5P406C2ERN	VM5P406C2EPN
						VM5P405C2GLG	VM5P405C2S5N	VM5P405C2ERN

① See hazardous application data on pages L131 - L140 for limitations.

② Globe catalog number shown with guard. To omit guard, change G to N; e.g. VM5P250B2GLN. Order spin top and enclosed reflector guards separately.

③ Catalog numbers shown are with 3/4" conduit openings, change 2 to 3 for 1"; e.g. VM5P250B3GLG.

④ Consult catalog logic for other available voltages.

⑤ Add suffix NR for restricted breathing; see page L84 for more information.



# LIGHTING

CERTILITE® V SERIES



## METAL HALIDE PULSE, 250-400 W MOGUL BASE HID



Stanchion 25°  
w/ Globe & Guard



Stanchion 25°  
w/ Spin-Top  
Refractor



Stanchion Straight  
w/ Enclosed Reflector

Class I, Div. 2, Groups A,B,C,D<sup>①</sup>  
Class I, Zone 2, Groups IIC, IIB, IIA  
Class II, Div. 1 & 2, Groups E,F,G  
Class III  
Suitable for wet locations  
NEMA 3, 4, 4X  
IP66

LISTED - File E10514 (Hazardous & Marine)

Certified - File LR11713

NR Restricted Breathing Option<sup>⑤</sup>

Class I, Zone 2 AEx nAnR   
Class I, Zone 2 Ex nR,

VM 250 - 400 WATT METAL HALIDE PULSE STANCHION 25° ANGLE						
DESCRIPTION				7-3/4" OPTIC THREAD SIZE <sup>②</sup>		
WATTS	ANSI	HUB SIZE <sup>③</sup>	VOLTAGE <sup>④</sup>	GLOBE & GUARD	TYPE V SPIN-TOP GLASS REFRACTOR	ENCLOSED REFLECTOR
250	M138	1-1/2"	Quad Tri 480	VM5P250D5GLG	VM5P250D5S5N	VM5P250D5ERN
	M153			VM5P256D5GLG	VM5P256D5S5N	VM5P256D5ERN
				VM5P255D5GLG	VM5P255D5S5N	VM5P255D5ERN
320	M132	1-1/2"	Quad Tri 480	VM5P320D5GLG	VM5P320D5S5N	VM5P320D5ERN
	M154			VM5P326D5GLG	VM5P326D5S5N	VM5P326D5ERN
				VM5P325D5GLG	VM5P325D5S5N	VM5P325D5ERN
350	M131	1-1/2"	Quad Tri 480	VM5P350D5GLG	VM5P350D5S5N	VM5P350D5ERN
				VM5P356D5GLG	VM5P356D5S5N	VM5P356D5ERN
				VM5P355D5GLG	VM5P355D5S5N	VM5P355D5ERN
400	M135	1-1/2"	Quad Tri 480	VM5P400D5GLG	VM5P400D5S5N	VM5P400D5ERN
	M155			VM5P406D5GLG	VM5P406D5S5N	VM5P406D5ERN
				VM5P405D5GLG	VM5P405D5S5N	VM5P405D5ERN

VM 250 - 400 WATT METAL HALIDE PULSE STANCHION STRAIGHT						
DESCRIPTION				7-3/4" OPTIC THREAD SIZE <sup>②</sup>		
WATTS	ANSI	HUB SIZE <sup>③</sup>	VOLTAGE <sup>④</sup>	GLOBE & GUARD	TYPE V SPIN-TOP GLASS REFRACTOR	ENCLOSED REFLECTOR
250	M138	1-1/2"	Quad Tri 480	VM5P250S5GLG	VM5P250S5S5N	VM5P250S5ERN
	M153			VM5P256S5GLG	VM5P256S5S5N	VM5P256S5ERN
				VM5P255S5GLG	VM5P255S5S5N	VM5P255S5ERN
320	M132	1-1/2"	Quad Tri 480	VM5P320S5GLG	VM5P320S5S5N	VM5P320S5ERN
	M154			VM5P326S5GLG	VM5P326S5S5N	VM5P326S5ERN
				VM5P325S5GLG	VM5P325S5S5N	VM5P325S5ERN
350	M131	1-1/2"	Quad Tri 480	VM5P350S5GLG	VM5P350S5S5N	VM5P350S5ERN
				VM5P356S5GLG	VM5P356S5S5N	VM5P356S5ERN
				VM5P355S5GLG	VM5P355S5S5N	VM5P355S5ERN
400	M135	1-1/2"	Quad Tri 480	VM5P400S5GLG	VM5P400S5S5N	VM5P400S5ERN
	M155			VM5P406S5GLG	VM5P406S5S5N	VM5P406S5ERN
				VM5P405S5GLG	VM5P405S5S5N	VM5P405S5ERN

① See hazardous application data on pages L131 - L140 for limitations.

② Globe catalog number shown with guard. To omit guard, change G to N; e.g. VM5P250D5GLN. Order spin top and enclosed reflector guards separately.

③ Catalog numbers shown with 1-1/2" conduit openings; change 5 to 4 for 1-1/4"; e.g. VM5P250D4GLG.

④ Consult catalog logic for other available voltages.

⑤ Add suffix NR for restricted breathing; see page L84 for more information.



METAL HALIDE PULSE, 250-400W MOGUL BASE HID



EZ Adapter w/ Globe & Guard



EZ Adapter w/ Spin-Top Refractor



EZ Adapter w/ Enclosed Reflector

VM 250 - 400 WATT METAL HALIDE PULSE EZ ADAPTER								
DESCRIPTION				7-3/4" OPTIC THREAD SIZE ②				
WATTS	ANSI	HUB SIZE ③	VOLTAGE ④	GLOBE & GUARD	TYPE V SPIN-TOP GLASS REFRACTOR	ENCLOSED REFLECTOR	"POLYCARBONATE SHIELDED ENCLOSED REFLECTOR 0	
250	M138	3/4"	Quad Tri 480	VM5P250EZGLG	VM5P250Ezs5N	VM5P250EZERN	VM5P250EZEPN	
	M153			VM5P256EZGLG	VM5P256Ezs5N	VM5P256EZERN	VM5P256EZEPN	
				VM5P255EZGLG	VM5P255Ezs5N	VM5P255EZERN	VM5P255EZEPN	
320	M132	3/4"	Quad Tri 480	VM5P320EZGLG	VM5P320Ezs5N	VM5P320EZERN	VM5P320EZEPN	
	M154			VM5P326EZGLG	VM5P326Ezs5N	VM5P326EZERN	VM5P326EZEPN	
				VM5P325EZGLG	VM5P325Ezs5N	VM5P325EZERN	VM5P325EZEPN	
350	M131	3/4"	Quad Tri 480	VM5P350EZGLG	VM5P350Ezs5N	VM5P350EZERN	VM5P350EZEPN	
					VM5P356EZGLG	VM5P356Ezs5N	VM5P356EZERN	VM5P356EZEPN
					VM5P355EZGLG	VM5P355Ezs5N	VM5P355EZERN	VM5P355EZEPN
400	M135	3/4"	Quad Tri 480	VM5P400EZGLG	VM5P400Ezs5N	VM5P400EZERN	VM5P400EZEPN	
	M155			VM5P406EZGLG	VM5P406Ezs5N	VM5P406EZERN	VM5P406EZEPN	
					VM5P405EZGLG	VM5P405Ezs5N	VM5P405EZERN	VM5P405EZEPN



Pendant



Ceiling



Wall Bracket



25° Stanchion

MOUNTING BOXES				
CATALOG NUMBER				HUB SIZE
PENDANT	CEILING	BRACKET	STANCHION	
EZA2	EZX2	EZB2	—	3/4"
EZA3	EZX3	EZB3	—	1"
—	—	—	EZD4*	1-1/4"/1-1/2"*

\*1-1/2" furnished with 1-1/2"-1-1/4" reducer and extension. Extension only part number EZDVMA.

- ① See hazardous application data on pages L131 - L140 for limitations.
- ② Globe catalog number shown with guard. To omit guard, change G to N; e.g. VM5P250EZGLN. Order spin top and enclosed reflector guards separately.
- ③ VMEZA tank adapters UL "classified" as an assembly for use between VM tanks and EZ mounts. See above for separate ordering information.
- ④ Consult catalog logic for other available voltages.
- ⑤ Add suffix NR for restricted breathing; see page L84 for more information.
- ⑥ VMEP40 not for use with EZ wall bracket.

# LIGHTING

CERTILITE® V SERIES



## ACCESSORIES/OPTIONS

### CERTILITE® V PHOTO CELL ACCESSORY



Photo Control  
(Field Installed  
in Splice cap)

Photo Control<sup>Ⓛ</sup>  
(Factory Installed  
in ballast tank)

Photo Control  
Component  
(Patented)



### Auxiliary Lighting

Momentary voltage outages or dips can temporarily extinguish HID lamps which may require up to ten (10) minutes to restrike. To provide illumination during this period, about 10% of the fixtures should be specified with auxiliary lighting.

### Quartz Auxiliary

Quartz auxiliary is available for all CertiLite® V Series fixtures (except those with plastic refractors) by adding the suffix "QA" to the fixture catalog number. Example: VM3S050A2GLG-QA.

Low wattage fixtures with this option use 100 or 150 watt quartz lamps. High wattage fixtures can use up to 250 watt quartz lamps. Quartz lamps are not supplied with the fixture. Use quartz lamp type Q100 CL/DC (100W) or Q150 CL/DC (150W) DC Bayonet T-4 Base.

Due to the quartz envelope surface temperature (exceeding 600°C), fixtures with this option are not suitable for Class I, Division 2, Class I, Zone 2, some Class I, Zone 2 ExnR, Class II and Class III hazardous locations. Contact the factory for specific fixture suitabilities.

PHOTO CONTROL FOR STANDARD AND HAZARDOUS CLASS I DIVISION 2 AREAS <sup>Ⓛ</sup>			
CATALOG NUMBER	VOLTS	FREQUENCY	WATTS
HUB2PC120	120VAC	50/60Hz	400
HUB2PC227 <sup>Ⓛ</sup>	208-277VAC <sup>Ⓛ</sup>	50/60Hz	400
HUB2PC347	347VAC	50/60Hz	440

<sup>Ⓛ</sup> Must be factory installed. Add P1 (for 120V), P2 (for 208-277V) or P3 (for 347V) suffixes are also for use with KFxxx - 76 Floods and KWP Series Wallpack Luminaires.

<sup>Ⓛ</sup> Photo control cells for Class 1 Division 2 only.

<sup>Ⓛ</sup> Marked 220-277V, suitable for 208V.

PHOTO CELL FIELD KITS*		
CATALOG NUMBER <sup>Ⓛ</sup>	VOLTS	FREQUENCY
HUB2PC120FK	120VAC	50/60Hz
HUB2PC227FK	208-277VAC	50/60Hz
HUB2PC347FK	347VAC	50/60Hz

\* Includes instructions for KFSS Series.

<sup>Ⓛ</sup> 40°C ambient max. C1 D2 (T3) to 400W max.

Photo Control  
Component  
UL/CSA



FS COVER MOUNTED PHOTO CELLS *	
CATALOG NUMBER <sup>Ⓛ</sup> <sup>Ⓛ</sup>	VOLTS
VMFSPC1	120VAC
VMFSPC2	208-277VAC
VMFSPC3	347VAC

\* Includes photo cell and factory drilled cover and gasket.

<sup>Ⓛ</sup> Order single gang FS box separately.

<sup>Ⓛ</sup> 40°C ambient max. T3 to 400W max.

FACTORY SEALED



C1, DIV. 2 & N4X



HKB - GL PHOTO CELLS	
CATALOG NUMBER <sup>Ⓛ</sup>	VOLTS
VMHKPC1	120VAC
VMHKPC2	208-277VAC
VMHKPC3	347VAC

<sup>Ⓛ</sup> 40°C ambient, T3 Rated

FACTORY SEALED



Class I, DIV. 1 BCD  
Class II, DIV. 1&2 EFG  
CLASS III  
NEMA 3, 4X  
IP66



### Instant Restrike

Available for low wattage High Pressure Sodium Fixtures by adding Suffix "IR" to catalog number Example: VM3S050A2GLG-IR.

Additional instant restrike interior circuitry may decrease High Pressure Sodium lamp life. Feature will not affect fixture suitability in hazardous location applications.

### Ballast Protection Circuit

Optional factory installed special ballast protector replaces the standard HPS ignitor and applies starting pulse to the lamp for 10 to 15 seconds each time voltage is supplied to the ballast. If the lamp has not ignited by the end of the time period, the starter will cease pulsing. Used to eliminate the continuous high voltage pulsing of the ignitor when end of life, lamp cycling, or missing lamp conditions exist. Available for HPS fixtures. Add suffix "BP" to fixture catalog number.

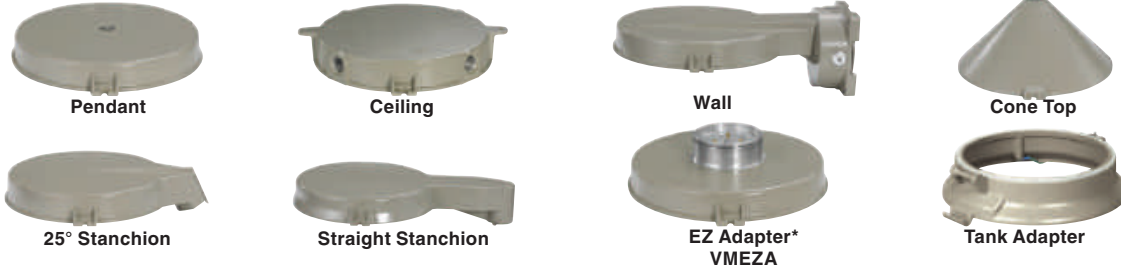
Notes: BP and IR cannot be used together.  
QTZ and IR cannot be used together.



CERTILITE® V SERIES

# KILLARK

## COMPONENTS



CERTILITE® V VM MOUNTING SPLICE BOXES								
CATALOG NUMBER								
HUB SIZE	PENDANT	FLEXIBLE PENDANT	CEILING 4 HUB	CEILING 5 HUB	WALL	CONE TOP	25 DEGREE STANCHION	90 DEGREE STANCHION
3/4"	VMA2B	VMF2B	VMX2B	VMX6B	VMB2B	VMC2B	—	—
1"	VMA3B	VMF3B	VMX3B	VMX7B	VMB3B	VMC3B	—	—
1-1/4"	—	—	—	—	—	—	VMD4B	VMS4B
1-1/2"	—	—	—	—	—	—	VMD5B	VMS5B
M-20	—	—	VMX8B**	VMX9B	—	—	—	—

\*VMEZA is used between a ballast tank and an EZ mount-ordered separately.

\*\*VMX8B furnished with 3 non-metallic plugs.



CERTILITE® V VM 35-600 W BALLAST TANK ASSEMBLIES CATALOG NUMBERS														
WATTS	VOLTAGE @ 60 HZ	MEDIUM BASE E26				MOGUL BASE E39 SOCKET								
		HPS		MH-MHP		HPS			MH-MHP			MH PULSE		
		LOW WATTAGE		LOW WATTAGE		LOW WATTAGE		HIGH WATTAGE	LOW WATTAGE		HIGH WATTAGE	LOW WATTAGE		HIGH WATTAGE
		5-1/2"	7-3/4"	5-1/2"	7-3/4"	5-1/2"	7-3/4"	7-3/4"	5-1/2"	7-3/4"	7-3/4"	5-1/2"	7-3/4"	7-3/4"
35	120	VM1S031	VM2S031	—	—	—	—	—	—	—	—	—	—	—
	Quad	VM1S050	VM2S050	VM1H050	VM2H050	VM3S050	VM4S050	—	—	—	—	—	—	—
	Tri	—	—	VM1H056	VM2H056	VM3S056	VM4S056	—	—	—	—	—	—	—
50	480	—	—	—	—	—	—	—	—	—	—	—	—	—
	Quad	VM1S070	VM2S070	VM1H070	VM2H070	VM3S070	VM4S070	—	VM3H070	VM4H070	—	—	—	—
	Tri	VM1S076	VM2S076	VM1H076	VM2H076	VM3S076	VM4S076	—	VM3H076	VM4H076	—	—	—	—
70	480	VM1S075	VM2S075	VM1H075	VM2H075	VM3S075	VM4S075	—	VM3H075	VM4H075	—	—	—	—
	Quad	VM1S100	VM2S100	VM1H100	VM2H100	VM3S100	VM4S100	—	VM3H100	VM4H100	—	—	—	—
	Tri	VM1S106	VM2S106	VM1H106	VM2H106	VM3S106	VM4S106	—	VM3H106	VM4H106	—	—	—	—
100	480	VM1S105	VM2S105	VM1H105	VM2H105	VM3S105	VM4S105	—	VM3H105	VM4H105	—	—	—	—
	Quad	VM1S150	VM2S150	VM1P150	VM2P150	VM3S150	VM4S150	—	—	—	—	VM3P150	VM4P150	—
	Tri	VM1S156	VM2S156	VM1P156	VM2P156	VM3S156	VM4S156	—	—	—	—	VM3P156	VM4P156	—
150	480	VM1S155	VM2S155	VM1P155	VM2P155	VM3S155	VM4S155	—	—	—	—	VM3P155	VM4P155	—
	Quad	—	—	VM1P170	VM2P170	—	—	—	VM3H170	VM4H170	—	VM3P170	VM4P170	—
	Tri	—	—	VM1P176	VM2P176	—	—	VM5S200	VM3H176	VM4H176	—	VM3P176	VM4P176	—
175	480	—	—	VM1P175	VM2P175	—	—	VM5S206	VM3H175	VM4H175	—	VM3P175	VM4P175	—
	Quad	—	—	—	—	—	—	VM5S205	—	—	—	VM3P200	VM4P200	—
	Tri	—	—	—	—	—	—	VM5S250	—	—	—	VM3P206	VM4P206	—
200	480	—	—	—	—	—	—	VM5S256	—	—	—	VM3P205	VM4P205	—
	Quad	—	—	—	—	—	—	VM5S255	VM3H250	VM4H250	—	—	—	VM5P250
	Tri	—	—	—	—	—	—	—	VM3H256	VM4H256	—	—	—	VM5P256
250	480	—	—	—	—	—	—	—	VM3H255	VM4H255	—	—	—	VM5P255
	Quad	—	—	—	—	—	—	—	—	—	—	—	—	VM5P320
	Tri	—	—	—	—	—	—	—	—	—	—	—	—	VM5P326
320	480	—	—	—	—	—	—	—	—	—	—	—	—	VM5P325
	Quad	—	—	—	—	—	—	—	—	—	—	—	—	VM5P350
	Tri	—	—	—	—	—	—	—	—	—	—	—	—	VM5P356
350	480	—	—	—	—	—	—	—	—	—	—	—	—	VM5P355
	Quad	—	—	—	—	—	—	—	—	—	—	—	—	VM5P400
	Tri	—	—	—	—	—	—	—	—	—	—	—	—	VM5P406
400	480	—	—	—	—	—	—	—	—	—	—	—	—	VM5P405
	Quad	—	—	—	—	—	—	—	—	—	—	—	—	—
	Tri	—	—	—	—	—	—	—	—	—	—	—	—	—
600	480	—	—	—	—	—	—	—	—	—	—	—	—	—
	Quad	—	—	—	—	—	—	—	—	—	—	—	—	—
	Tri	—	—	—	—	—	—	—	—	—	—	—	—	—

# LIGHTING

CERTILITE® V SERIES



## COMPONENTS

CERTILITE® V OPTICS & GUARDS						
DESCRIPTION	“VM1/VM3 LOW WATTAGE 5-1/2” OPTIC THREAD SIZE”		“VM2/VM4/VM5QL LOW WATTAGE 7-3/4” OPTIC THREAD SIZE”		“VM5 HIGH WATTAGE 7-3/4” OPTIC THREAD SIZE”	
	OPTICS	GUARD	OPTICS	GUARD	OPTICS	GUARD
Globe (glass)	VMG17	VMAG17	VMG25	VMAG25S	VMG40	VMAG40S
Refractor (all glass) Type V	VMR175	VMAG17	VMR255	VMAG25S	—	—
Refractor (all glass) Type I	VMR171 P	VMAG17	VMR251 ⑦	VMAG25S	—	—
Refractor (all glass) Type III	—	—	VMR253 ⑦	VMAG25S	—	—
Refractor (spin top glass) 8” Type V	VZRG1550	VMRWG8	—	—	—	—
Refractor (spin top glass) 12” Type V	VZRG2550	VMRWGS	VZRG4050 ①	VMRWGS	VZRG4050	VMRWGS
Refractor (spin top glass) 12” Type II	VZRG2520	VMRWGS	VZRG4020 ①	VMRWGS	VZRG4020	VMRWGS
Enclosed Reflector (glass lens)	—	—	VMER40	VMERG	VMER40	VMERG
Enclosed Reflector (plastic lens)	—	—	VMEP40	—	VMEP40	—
Globe (Tuffskin® coated) ⑤	VMG17F	VMAG17	VMG25F	VMAG25S	VMG40F	VMAG40S
Globe (Teflon® coated) ⑤	VMG17T	VMAG17	VMG25T	VMAG25S	VMG40T	VMAG40S
Refractor (Teflon coated) Type V	VMR175T	VMAG17	VMR255T	VMAG25S	—	—
Refractor (Teflon coated) Type I	VMR171T	VMAG17	VMR251T	VMAG25S	—	—
Refractor (Teflon coated) Type III	—	—	VMR253T	VMAG25S	—	—
Refractor (Spin Top Teflon coated) 12” Type V	VZRG2550T	VMRWG	VZRG4050T①	VMRWG	VZRG4050T	VMRWG
Refractor (Spin Top Teflon coated) 12” Type II	VZRG2520T	VMRWG	VZRG4020T ①	VMRWG	VZRG4020T	VMRWG

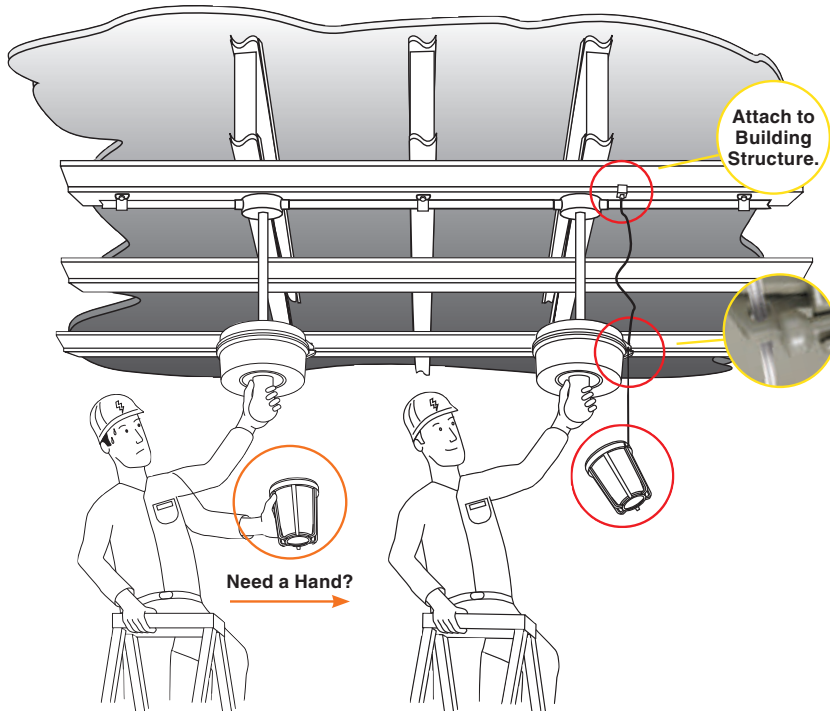
OPTICS											
	VMG17	VMR175 VMR171	VZRG1550	VZRG2550 VZRG2520 VZRP175⑥	VMG25	VMR255 VMR253 VMR251	VMG40	VMER40	VZRG4050 VZRG4020 VZRP175B	VMEP40⑧	
	GUARDS										
		VMAG17②	VMAG17②	VMRWG8③	VMRWGS③	VMAG25S③	VMAG25S③	VMAG40S③	VMERG③	VMRWGS③	VMRWGS③

- ① For reference VM5 Spin Top optics fit VM4 tanks, but VM3 tanks and optics are recommended for low wattage Spin Top applications. VM3 12” Spin Tops ship with a mogul-to-mogul extender for improved photometrics.
- ② Standard material, copper-free aluminum painted.
- ③ Standard material, 316 stainless steel.
- ④ Standard material, plated steel.
- ⑤ Tuffskin® is a registered trademark of Thomas Manufacturing, Co. Teflon® is a registered trademark of DuPont, Inc. Alzak is a registered trademark of Alcoa.
- ⑥ 175W max; not hazloc listed for H/D. Hazloc QL Induction
- ⑦ Type I (III) all-glass refractors align with fixture hinge. Ceiling mount unit utilizing these optics must have offset conduit feed.
- ⑧ For wall applications, mount must be spaced out.

CERTILITE® V REFLECTORS				
<b>VMPSD40</b> Standard Dome Fiberglass White Reflector Dia: 16”	<b>VMPA40</b> 30° Angle Fiberglass White Reflector Dia: 16”	<b>HRD400</b> Deep Aluminum White Reflector Dia: 21”	<b>HRD400ALZ</b> Deep Aluminum Anodized Reflector Dia: 21”	<b>VMAGBC</b>  Bottom Closure for VMAG25S/VMAG40S



## ACCESSORIES/REPLACEMENT PARTS



**POWERFUL**  
Luminaire Layout and  
Calculation Software



Software is used to determine number of fixtures required and their proper layout for various tasks and applications.

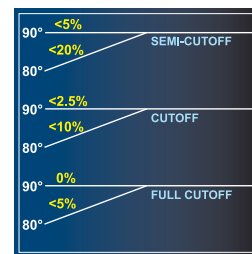
Contact your local Killark sales representative for availability.

SUSPENSION DEVICES①		
TANK	DESCRIPTION	CATALOG NUMBER
VM GLOBE & GUARD UNITS	"3rd hand" safety kits. 24" stainless cable holds globe using guard for lamp change out. Attaches to tank's built-in "Earthquake Tab".	VMAGSC①
VM (ALL TANKS)	10' Stainless Steel Safety Cable with loop grip. Drop limit 1'. Attaches to "Earthquake Tab" and to building structure (e.g. I-beam)."	VMSC10

① VM2, VM4 and VM5 units require VMAGBC bottom closure, sold separately, in addition to guard.

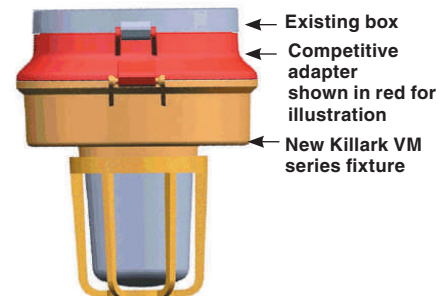
DARK SKY KITS		
VMDARK1	Gasket Kit	On VM1, VM2, VM3, VM4 "Full Cutoff" when used with HRD400 or HRD400ALZ On VM5 "Cutoff" when used with HRD400 or HRD400ALZ
VMER40	Gasket Kit	Enclosed Reflector "Full Cutoff" on VM2/VM4/VM5 as standard

Note: CertiLite®V luminaires may be configured for "Full Cutoff", or Semi-Cutoff photometric distribution.



Competitive adapters for upgrading existing fixtures to Killark, see VM mounting and adapter grid, page L222 for more information.

MISCELLANEOUS PARTS	
0735015B	Mogul Socket VM3, VM4, VM5
VMBNKIT	Barrel nut and long bolt adapts older CertiLite tanks to newer CertiLiteV® mounts.



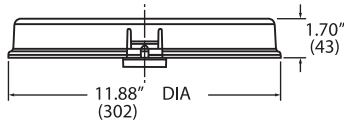
Crouse-Hinds is a registered trademark of Crouse-Hinds.

FUSE KITS
See catalog logic for factory installed fuses, or page L141-L142 for field installation kits.

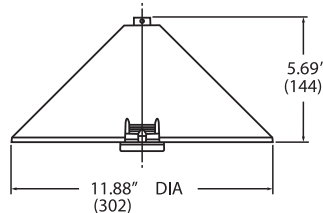


CERTILITE® V SERIES • MOUNTING BOX & FIXTURE

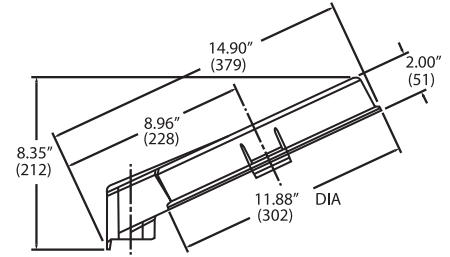
DIMENSIONS



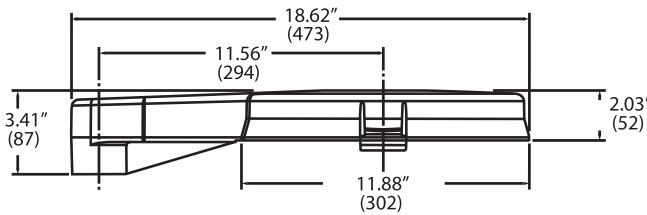
Pendant Mount



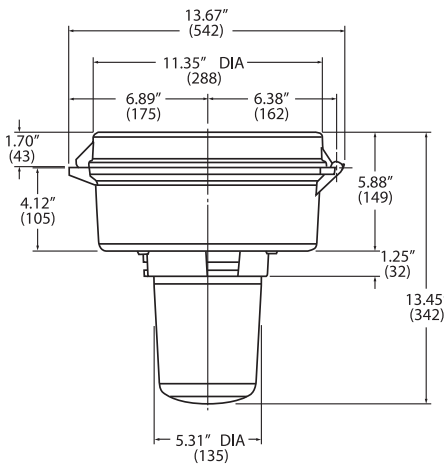
Cone Mount



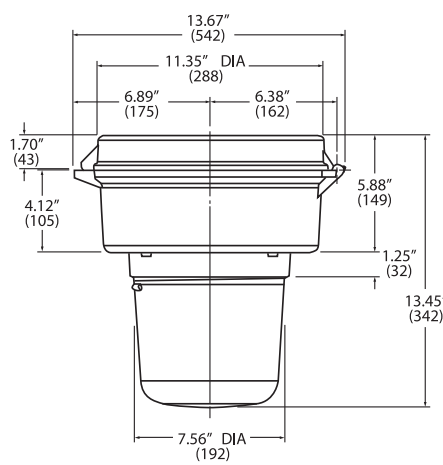
Stanchion(25°) Mount



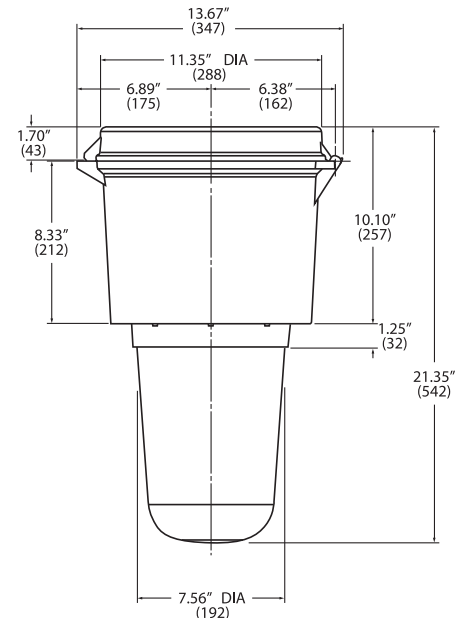
Stanchion(0°) Mount



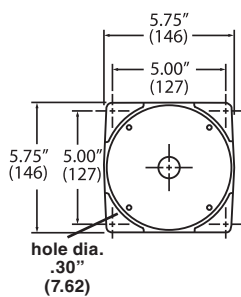
VM3 Fixture



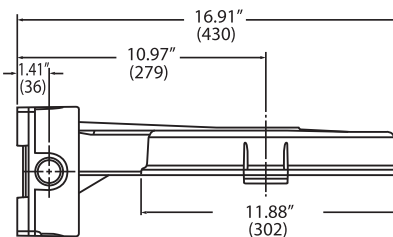
VM4 Fixture



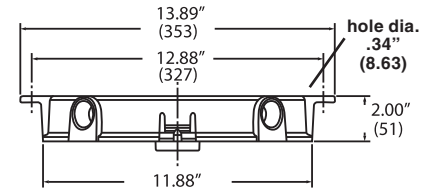
VM5 Fixture



Wall Bracket Mount



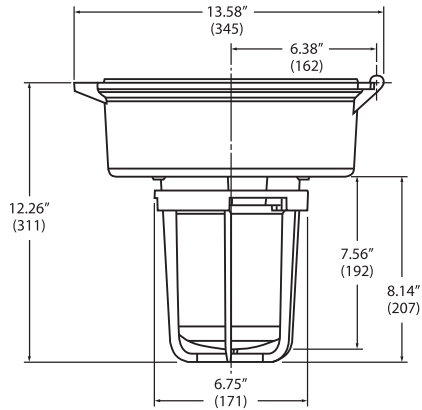
Ceiling Mount



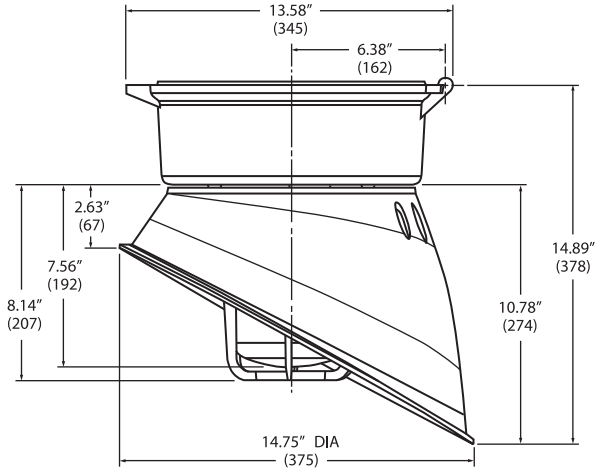
For VM1 & VM2 height, deduct 1.56" (40mm) from the VM3 or VM4 tank respectively, or overall dimensions with same mount and optic. All other dimensions are the same.



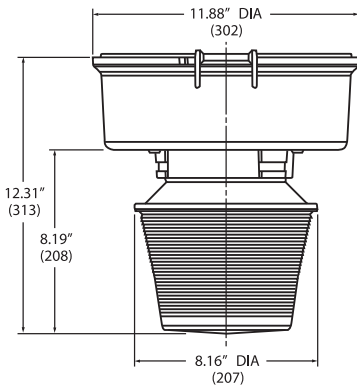
## DIMENSIONS



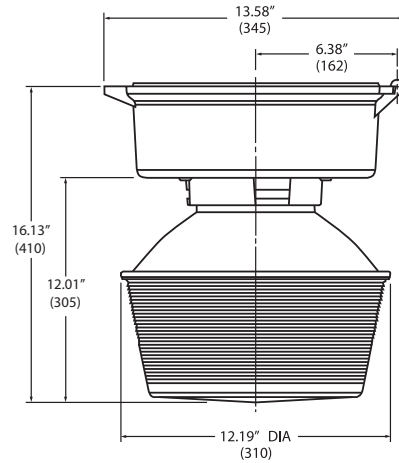
VM3 BALLAST TANK  
5-1/2" OPTICS GLOBE OR REFRACTOR  
VMAG17 GLOBE GUARD



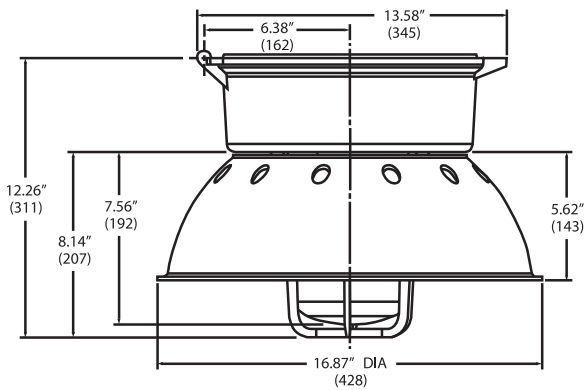
VM3 BALLAST TANK  
VMG17 5-1/2" OPTICS GLOBE  
VMMA-40 ANGLED REFLECTOR



VM3 BALLAST TANK  
VZRG-1550 8" SPUN REFRACTOR



VM3 BALLAST TANK  
VZRG 12" SPUN REFRACTOR



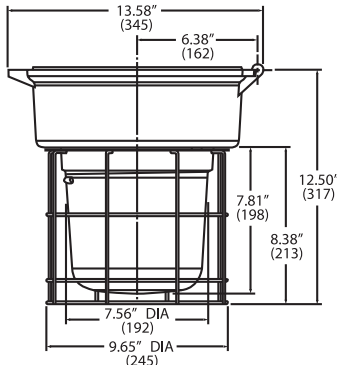
VM3 BALLAST TANK  
VMG17 5-1/2" OPTICS GLOBE  
VMPSD-40 DOME REFLECTOR

For VM1 & VM2 height, deduct 1.56" (40mm) from the VM3 or VM4 tank respectively, or overall dimensions with same mount and optic. All other dimensions are the same.

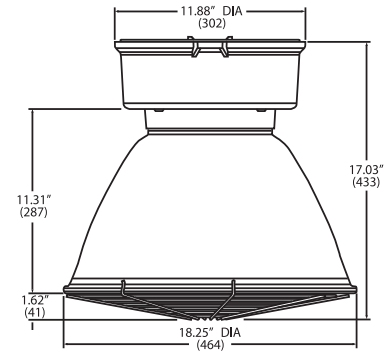




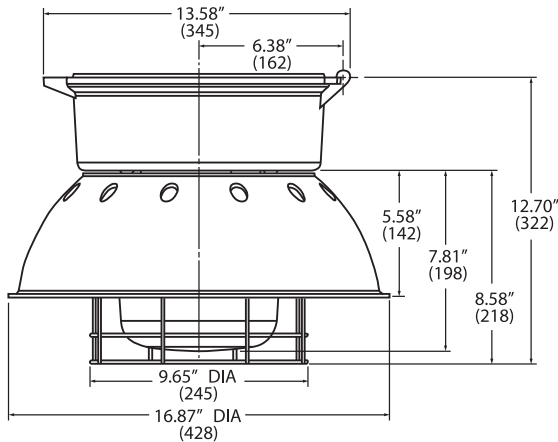
## DIMENSIONS



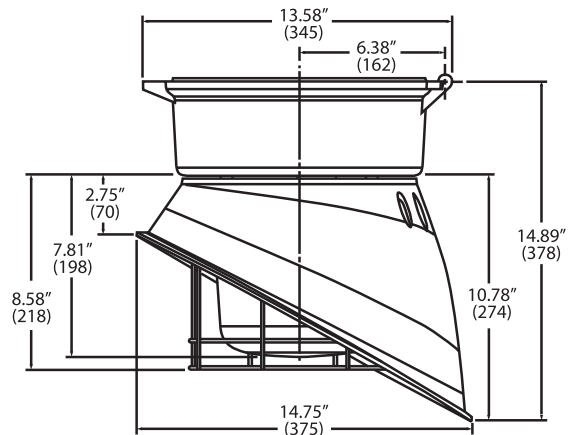
VM4 BALLAST TANK  
7-3/4" OPTICS GLOBE (VMG25)  
OR REFRACTOR (VMR25 SERIES)  
VMAG255 WIRE GUARD



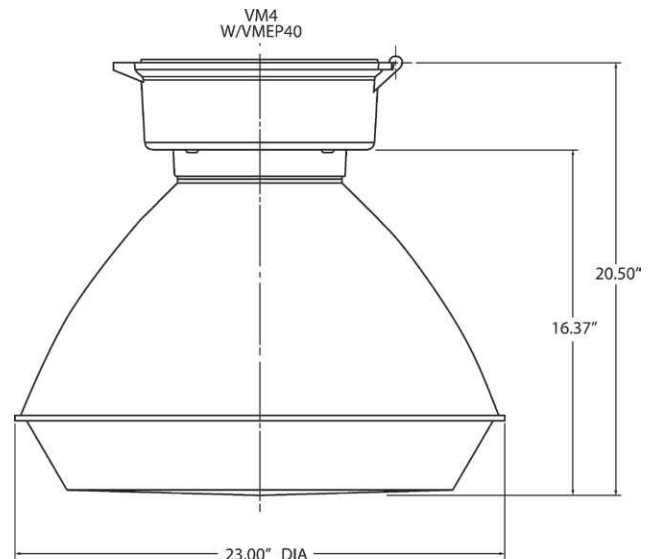
VM4 BALLAST TANK  
VMER40 ENCLOSED REFLECTOR  
VMERG GUARD



VM4 BALLAST TANK  
VMG25 7-3/4" OPTICS GLOBE  
VMAG255 WIRE GUARD  
VMPSD-40 DOME REFLECTOR



VM4 BALLAST TANK  
VMG25 7-3/4" OPTICS GLOBE  
VMAG255 WIRE GUARD  
VMMPA-40 ANGLE REFLECTOR

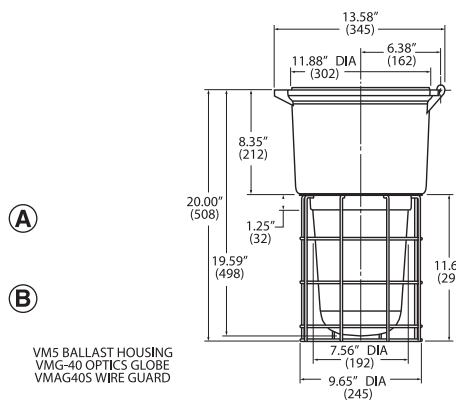


VM4 with VMEP40 Optic

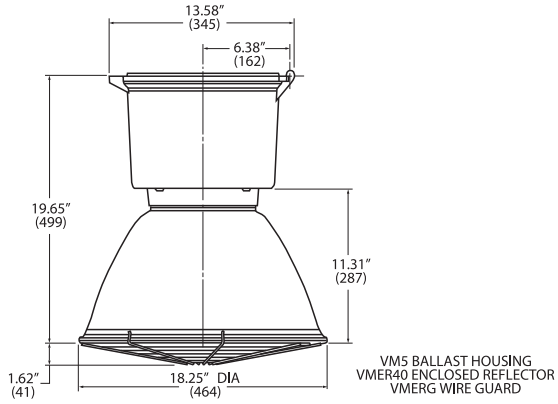
For VM1 & VM2 height, deduct 1.56" (40mm) from the VM3 or VM4 tank respectively, or overall dimensions with same mount and optic. All other dimensions are the same.



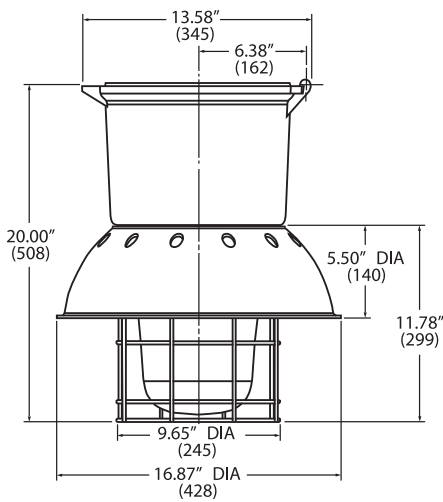
## DIMENSIONS



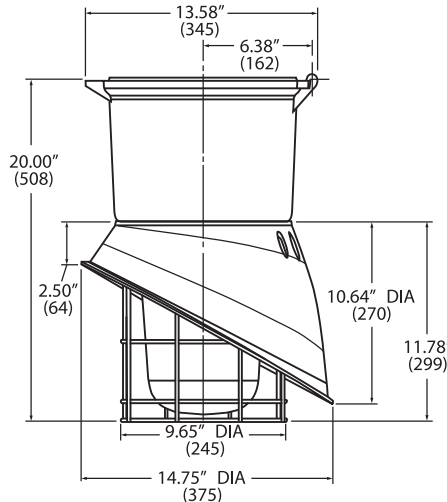
VM5 BALLAST HOUSING  
VMG-40 OPTICS GLOBE  
VMAG40S WIRE GUARD



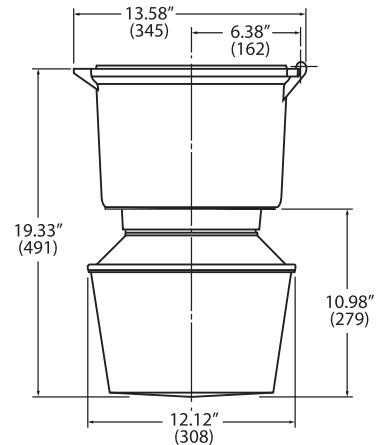
VM5 BALLAST HOUSING  
VMER40 ENCLOSED REFLECTOR  
VMERG WIRE GUARD



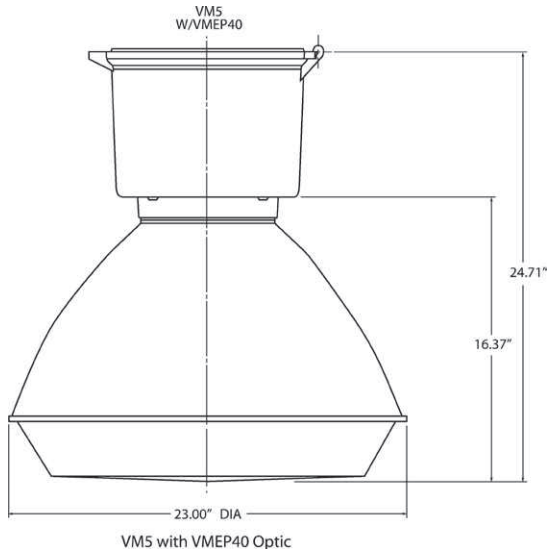
VM5 BALLAST HOUSING  
VMG-40 OPTICS GLOBE  
VMAG40S WIRE GUARD  
VMPSD-40 DOME REFLECTOR



VM5 BALLAST HOUSING  
VMG-40 OPTICS GLOBE  
VMAG40S WIRE GUARD  
VMMPA-40 ANGLE REFLECTOR



VM5 BALLAST HOUSING  
12\"/>



VM5 with VMEP40 Optic

QL 165W uses VM5 tank and VMG25 series optics, VMAG25S guard

Ⓐ 16.59 (421)

Ⓑ 6.11 (409)

# LIGHTING

CERTILITE® V SERIES



## APPLICATION DATA FOR HAZARDOUS LOCATIONS

VM1 / VM2 SERIES THERMAL PERFORMANCE DATA ① CLASS I DIVISION 2 GROUPS A,B,C,D/ZONE 2 GROUPS IIC,IIB,IIA													
DESCRIPTION			VM1 SERIES**					VM2 SERIES**					
LAMP TYPE	LAMP WATTAGE	AMBIENT °C	GLOBE ONLY	GLOBE W/ REFLECTOR	VMR	REFRACTORS		GLOBE ONLY	GLOBE W/ REFLECTOR	REFRACTOR VMR	ENCLOSED REFLECTORS		SUPPLY WIRE °C
						VZRG 8"	VZRG 12"				VMER40	VMEP40	
HPS	35	40	T3C	T3C	T3C	T3C	T3C	T3C	T3C	T3C	T3C	T3C	60
		55	T3B	T3B	T3B	T3B	T3B	T3B	T3B	T3B	T3B	T3B	75
		65	T3A	T3A	T3A	T3A	T3A	T3A	T3A	T3A	T3A	T3A	75
HPS	50	40	T3	T3	T3	T3	T3	T3	T3	T3	T3	T3	60
		55	T3	T3	T3	T3	T3	T3	T3	T3	T3	T3	75
		65	T3	T3	T3	T3	T3	T3	T3	T3	T3	T3	90
HPS	70	40	T2C	T2C	T2C	T2C	T2C	T2C	T2C	T2C	T2C	T2C	75
		55	T2C	T2C	T2C	T2C	T2C	T2C	T2B	T2C	T2C	T2C	90
		65	T2B	T2B	T2B	T2B	T2B	T2B	T2B	T2B	T2B	T2B	90
HPS	100	40	T2B	T2B	T2B	T2B	T2B	T2B	T2B	T2B	T2B	T2B	75
		55	T2C	T2B	T2B	T2B	T2B	T2B	T2B	T2B	T2B	T2B	90
		65	—	—	—	—	—	—	—	—	—	—	—
HPS	150	40	325°C	325°C	325°C	325°C	325°C	325°C	325°C	325°C	325°C	325°C	90
		55	325°C	325°C	325°C	325°C	325°C	325°C	325°C	325°C	325°C	325°C	90
		65	—	—	—	—	—	—	—	—	—	—	—
MH	50	40	T3	T3	T3	T3	T3	T3	T3	T3	T3	T3	60
		55	T3	T3	T3	T3	T3	T2D	T2D	T2D	T2D	T2D	75
		65	T2D	T2D	T2D	T2D	T2D	T2D	T2D	T2D	T2D	T2D	90
MH	70	40	T2C	T2C	T2C	T2C	T2C	T2C	T2C	T2C	T2C	T2C	750
		55	T2C	T2B	T2C	T2C	T2C	T2C	T2C	T2C	T2C	T2C	75
		65	T2B	T2B	T2B	T2B	T2B	T2B	T2B	T2B	T2B	T2B	90
MH	100	40	T2B	T2B	T2B	T2B	T2B	T2A	T2A	T2B	T2B	T2B	75
		55	T2A	T2A	T2A	T2A	T2A	T2A	T2A	T2A	T2A	T2A	90
		65	T2A	T2A	T2A	T2A	T2A	T2A	T2A	T2A	T2A	T2A	105
MHP	150/125	40	350°C	350°C	350°C	350°C	350°C	325°C	325°C	325°C	325°C	325°C	90
		55	350°C	350°C	350°C	350°C	350°C	325°C	325°C	325°C	325°C	325°C	90
		65	—	—	—	—	—	—	—	—	—	—	—
MHP	175	40	450°C	450°C	450°C	450°C	450°C	450°C	450°C	450°C	450°C	450°C	90
		55	—	—	—	—	—	450°C	450°C	450°C	450°C	450°C	105
		65	—	—	—	—	—	—	—	—	—	—	—
QL	55	40	T3C	T3C	T3C	T3C	T3C	—	—	—	—	—	75
		55	—	—	—	—	—	—	—	—	—	—	—
		65	—	—	—	—	—	—	—	—	—	—	—

T-CODE & TEMPERATURE RANGE CONVERSION TABLE ° C															
T1	350	325	T2	T2A	T2B	T2C	T2D	T3	T3A	T3B	T3C	T4	T4A	T5	T6
351-450	326-350	301-325	281-300	261-280	231-260	216-230	201-215	181-200	166-180	161-165	136-160	121-135	101-120	86-100	<=85

\*\* VM1 Series accepts 5-1/2" threaded optics; VM2 accepts 7-3/4" optics.

— Not available.

① Data does not apply to luminaires with auxiliary quartz lighting; consult factory with requirements.

The suitability of these fixtures for Class I Division 2 / Zone 2 locations must be determined for each application based on NEC® Articles 501.125(B) or 505.



APPLICATION DATA FOR HAZARDOUS LOCATIONS

VM1 / VM2 SERIES THERMAL PERFORMANCE DATA ①											
CLASS I ZONE 2 RESTRICTED BREATHING											
DESCRIPTION			VM1 SERIES**			VM2 SERIES**					
LAMP TYPE	LAMP WATTAGE	AMBIENT °C	GLOBE ONLY	GLOBE W/ REFLECTOR	REFRACTOR VMR	GLOBE ONLY	GLOBE W/ REFLECTOR	REFRACTOR VMR	ENCLOSED REFLECTORS		SUPPLY WIRE °C
									VMER40	VMEP40	
HPS	50	40	T5	T4	T5	T5	T4	T5	T4	T4	60
		55	T4	T4	T4	T4	T4	T4	T4	T4	75
		65	T4	T4	T4	T4	T4	T4	T4	T4	90
HPS	70	40	T4	T4	T4	T4	T4	T4	T4	T4	75
		55	T4	T4	T4	T4	T4	T4	T4	T4	90
		65	T4	T4	T4	T4	T4	T4	T4	T4	90
HPS	100	40	T3	T3	T3	T3	T3	T3	T3	T3	90
		55	T3	T3	T3	T3	T3	T3	T3	T3	90
		65	—	—	—	—	—	—	—	—	—
HPS	150	40	T3	T3	T3	T3	T3	T3	T3	T3	90
		55	T3	T3	T3	T3	T3	T3	T3	T3	90
		65	—	—	—	—	—	—	—	—	—
MH	50	40	T6	T5	T6	T5	T5	T5	T5	T5	60
		55	T4	T4	T4	T4	T4	T4	T4	T4	75
		65	T4	T4	T4	T4	T4	T4	T4	T4	90
MH	70	40	T5	T5	T5	T4	T4	T4	T4	T4	75
		55	T4	T4	T4	T4	T4	T4	T4	T4	75
		65	T4	T4	T4	T4	T4	T4	T4	T4	90
MH	100	40	T4	T4	T4	T4	T4	T4	T4	T4	75
		55	T3	T3	T3	T3	T3	T3	T3	T3	90
		65	T3	T3	T3	T3	T3	T3	T3	T3	105
MHP	150/125	40	T3	T3	T3	T3	T3	T3	T3	T3	90
		55	T3	T3	T3	T3	T3	T3	T3	T3	90
		65	—	—	—	—	—	—	—	—	—
MHP	175	40	T3	T3	T3	T3	T3	T3	T3	T3	90
		55	—	—	—	T3	T3	T3	T3	T3	105
		65	—	—	—	—	—	—	—	—	—
HPS	35	40	T6	T6	T6	T6	T6	T6	T6	T6	60
		55	T5	T5	T5	T5	T5	T5	T5	T5	75
		65	T5	T5	T5	T5	T5	T5	T5	T5	90

T-CODE & TEMPERATURE RANGE CONVERSION TABLE ° C															
T1	350	325	T2	T2A	T2B	T2C	T2D	T3	T3A	T3B	T3C	T4	T4A	T5	T6
351-450	326-350	301-325	281-300	261-280	231-260	216-230	201-215	181-200	166-180	161-165	136-160	121-135	101-120	86-100	<=85

\*\* VM1 Series accepts 5-1/2" threaded optics; VM2 accepts 7-3/4" optics.

— Not available.

① Data does not apply to luminaires with auxiliary quartz lighting; consult factory with requirements.

The suitability of these fixtures for Class I Zone 2 AEx nAR II locations must be determined for each application based on NEC® Article 505.



## APPLICATION DATA FOR HAZARDOUS LOCATIONS

VM1 / VM2 SERIES THERMAL PERFORMANCE DATA <sup>①</sup> CLASS II DIVISIONS 1 & 2 GROUPS E, F, G & CLASS III *													
DESCRIPTION			VM1 SERIES**					VM2 SERIES**					
LAMP TYPE	LAMP WATTAGE	AMBIENT °C	GLOBE ONLY	GLOBE W/ REFLECTOR	VMR	REFRACTORS		GLOBE ONLY	GLOBE W/ REFLECTOR	REFRACTOR VMR	ENCLOSED REFLECTORS		SUPPLY WIRE °C
						VZRG 8"	VZRG 12"				VMER40	VMEP40	
HPS	35	40	T4A	T4A	T4A	T4A	T4A	T6	T6	T6	T6	T6	60
		55	T4	T4	T4	T4	T4	T5	T5	T5	T5	T5	75
		65	T4	T4	T4	T4	T4	T4A	T4A	T4A	T4A	T4A	T4A
HPS	50	40	T4A	T4A	T4A	T4A	T4A	T6	T6	T6	T6	T6	60
		55	T4	T4	T4	T4	T4	T5	T5	T5	T5	T5	75
		65	T4	T4	T4	T4	T4	T5	T4A	T4A	T4A	T4A	T4A
HPS	70	40	T4A	T4A	T4A	T4A	T4A	T5	T5	T5	T5	T5	75
		55	T4	T4	T4	T4	T4	T4A	T4A	T4A	T4A	T4A	75
		65	T4	T4	T4	T4	T4	T4A	T4A	T4A	T4A	T4A	90
HPS	100	40	T3C	T3C	T3C	T3C	T3C	T4A	T4A	T4A	T4A	T4A	90
		55	T3C	T3C	T3C	T3C	T3C	T4	T4	T4	T4	T4	90
		65	—	—	—	—	—	—	—	—	—	—	—
HPS	150	40	T3C	T3C	T3C	T3C	T3C	T4	T4	T4	T4	T4	90
		55	—	—	—	—	—	T3C	T3C	T3C	T3C	T3C	90
		65	—	—	—	—	—	—	—	—	—	—	—
MH	50	40	T4A	T4A	T4A	T4A	T4A	T5	T5	T5	T5	T5	60
		55	T4	T4	T4	T4	T4	T4A	T4A	T4A	T4A	T4A	75
		65	T3C	T3C	T3C	T3C	T3C	T4A	T4A	T4A	T4A	T4A	90
MH	70	40	T4A	T4A	T4A	T4A	T4A	T5	T5	T5	T5	T5	75
		55	T4	T4	T4	T4	T4	T4A	T4A	T4A	T4A	T4A	75
		65	T3C	T3C	T3C	T3C	T3C	T4A	T4A	T4A	T4A	T4A	90
MH	100	40	T4	T4	T4	T4	T4	T4A	T4A	T4A	T4A	T4A	75
		55	T3C	T3C	T3C	T3C	T3C	T4	T4	T4	T4	T4	90
		65	T3C	T3C	T3C	T3C	T3C	T4	T4	T4	T4	T4	105
MHP	150/125	40	T3C	T3C	T3C	T3C	T3C	T4	T4	T4	T4	T4	90
		55	T3A	T3A	T3A	T3A	T3A	T3C	T3C	T3C	T3C	T3C	90
		65	—	—	—	—	—	—	—	—	—	—	—
MHP	175	40	—	—	—	—	—	T3C	T3C	T3C	T3C	T3C	90
		55	—	—	—	—	—	T3C	T3C	T3C	T3C	T3C	105
		65	—	—	—	—	—	—	—	—	—	—	—
QL	55	40	EFG	EFG	EFG	EFG	EFG	—	—	—	—	—	75

T-CODE & TEMPERATURE RANGE CONVERSION TABLE °C <sup>②③</sup>															
T1	350	325	T2	T2A	T2B	T2C	T2D	T3	T3A	T3B	T3C	T4	T4A	T5	T6
351-450	326-350	301-325	281-300	261-280	231-260	216-230	201-215	181-200	166-180	161-165	136-160	121-135	101-120	86-100	<=85

\* Luminaries rated for Group G (= <165°C), T3B are also suitable for Class III applications; Luminaries rated for E & F ≤ 200°C (T3).

\*\* VM1 Series accepts 5-1/2" threaded optics; VM2 accepts 7-3/4" optics.

— Not available.

① Data does not apply to luminaries with auxiliary quartz lighting; consult factory with requirements.

② Limit for E & F.

③ Limit for G & Class III.



APPLICATION DATA FOR HAZARDOUS LOCATIONS

VM1 / VM2 SERIES THERMAL PERFORMANCE DATA ① ②													
"SIMULTANEOUS PRESENCE" CLASS I DIVISION 2 ( LAMP TEMPERATURE IN DUST CONDITIONS) & CLASS II DIVISION I													
DESCRIPTION			VM1 SERIES**					VM2 SERIES**					
LAMP TYPE	LAMP WATTAGE	AMBIENT °C	GLOBE ONLY	GLOBE W/ REFLECTOR	VMR	REFRACTORS		GLOBE ONLY	GLOBE W/ REFLECTOR	REFRACTOR VMR	ENCLOSED REFLECTORS		SUPPLY WIRE °C
						VZRG 8"	VZRG 12"				VMER40	VMEP40	
HPS	35	40	T3A	T3A	T3A	T3A	T3A	T2D	T2D	T2D	T2D	T2D	60
		55	—	—	—	—	—	—	—	—	—	—	—
		65	—	—	—	—	—	—	—	—	—	—	—
HPS	50	40	T2C	T2C	T2C	T2C	T2C	T2D	T2D	T2D	T2D	T2D	60
		55	—	—	—	—	—	—	—	—	—	—	—
		65	—	—	—	—	—	—	—	—	—	—	—
HPS	70	40	T2B	T2B	T2B	T2B	T2B	T2B	T2B	T2B	T2B	T2B	75
		55	—	—	—	—	—	—	—	—	—	—	—
		65	—	—	—	—	—	—	—	—	—	—	—
HPS	100	40	T2A	T2A	T2A	T2A	T2A	T2B	T2B	T2B	T2B	T2B	75
		55	—	—	—	—	—	—	—	—	—	—	—
		65	—	—	—	—	—	—	—	—	—	—	—
HPS	150	40	325°C	325°C	325°C	325°C	325°C	325°C	325°C	325°C	325°C	325°C	90
		55	—	—	—	—	—	—	—	—	—	—	—
		65	—	—	—	—	—	—	—	—	—	—	—
MH	50	40	T2B	T2B	T2B	T2B	T2B	T2C	T3C	T3C	T3C	T3C	75
		55	—	—	—	—	—	—	—	—	—	—	—
		65	—	—	—	—	—	—	—	—	—	—	—
MH	70	40	T2B	T2B	T2B	T2B	T2B	T2C	T2C	T2C	T2C	T2C	75
		55	—	—	—	—	—	—	—	—	—	—	—
		65	—	—	—	—	—	—	—	—	—	—	—
MH	100	40	T2	T2	T2	T2	T2	T2A	T2A	T2A	T2A	T2A	90
		55	—	—	—	—	—	—	—	—	—	—	—
		65	—	—	—	—	—	—	—	—	—	—	—
MHP	150/125	40	350°C	350°C	350°C	350°C	350°C	350°C	350°C	350°C	350°C	350°C	90
		55	—	—	—	—	—	—	—	—	—	—	—
		65	—	—	—	—	—	—	—	—	—	—	—
MHP	175	40	—	—	—	—	—	450°C	450°C	450°C	450°C	450°C	90
		55	—	—	—	—	—	—	—	—	—	—	—
		65	—	—	—	—	—	—	—	—	—	—	—

T-CODE & TEMPERATURE RANGE CONVERSION TABLE ° C															
T1	350	325	T2	T2A	T2B	T2C	T2D	T3	T3A	T3B	T3C	T4	T4A	T5	T6
351-450	326-350	301-325	281-300	261-280	231-260	216-230	201-215	181-200	166-180	161-165	136-160	121-135	101-120	86-100	<=85

\*\* VM1 Series accepts 5-1/2" threaded optics; VM2 accepts 7-3/4" optics.

— Not available.

① Data does not apply to luminaries with auxiliary quartz lighting; consult factory with requirements.

② Table shows lamp temperature inside dust covered optic - see Class II table for Groups E, F, G and Class III data.

# LIGHTING



## APPLICATION DATA FOR HAZARDOUS LOCATIONS

VM3/VM4 SERIES THERMAL PERFORMANCE DATA <sup>①</sup> CLASS 1 DIVISION 2 GROUPS A,B,C,D / ZONE 2 GROUPS IIC , IIB, IIA													
DESCRIPTION			VM3 SERIES**					VM4 SERIES**					
LAMP TYPE	LAMP WATTAGE	AMBIENT °C	GLOBE ONLY	GLOBE W/ REFLECTOR	VMR	REFRACTORS		GLOBE ONLY	GLOBE W/ REFLECTOR	REFRACTOR VMR	ENCLOSED REFLECTORS		SUPPLY WIRE °C
						VZRG 8"	VZRG 12"				VMER40	VMEP40	
HPS	50	40	T3B	T3B	T3B	T3B	T3B	T3C	T3C	T3C	T3C	T3C	90
		55	T3A	T3A	T3A	T3A	T3A	T3B	T3B	T3B	T3B	T3B	90
		65	T3	T3	T3	T3	T3	T3	T3	T3	T3	T3	90
HPS	70	40	T3	T3	T3	T3	T3A	T3A	T3A	T3A	T3A	T3A	90
		55	T3	T3	T3	T3	T3	T3A	T3	T3	T3	T3	90
		65	T3	T3	T3	T3	T3	T3	T3	T3	T3	T3	90
HPS	100	40	T2D	T2D	T2D	T2D	T3	T3	T3	T3	T3	T3	90
		55	T2C	T2C	T2C	T2C	T2C	T2D	T2D	T2D	T2D	T2D	90
		65	T2C	T2C	T2C	T2C	T2C	T2C	T2C	T2C	T2C	T2C	125
HPS	150	40	T2B	T2B	T2B	T2B	T2B	T2B	T2B	T2B	T2B	T2B	90
		55	T2B	T2B	T2B	T2B	T2B	T2B	T2B	T2B	T2B	T2B	90
		65	—	—	—	—	—	—	—	—	—	—	—
MH	70	40	T3B	T3A	T3B	T3A	T3C	T3C	T3C	T3C	T3C	T3C	90
		55	T3	T3	T3	T3	T3	T3C	T3B	T3C	T3C	T3C	90
		65	T2D	T2D	T2D	T3	T3	T3A	T3A	T3A	T3A	T3A	90
MH	100	40	T3	T3	T3	T3	T3A	T3A	T3	T3A	T3A	T3A	90
		55	T3	T3	T3	T3	T2D	T3	T3	T3	T3	T3	90
		65	T2D	T2D	T2D	T2D	T2D	T3	T3	T3	T3	T3	90
MH	175	40	T2A	T2A	T2A	T2B	T2B	T2B	T2B	T2B	T2B	T2B	90
		55	T2	T2	T2	T2	T2	T2A	T2A	T2A	T2A	T2A	125
		65	—	—	—	—	—	—	—	—	—	—	—
MH	250	40	325°C	325°C	325°C	T2	T2	T2	T2	T2	T2	T2	90
		55	—	—	—	—	—	—	—	—	—	—	—
		65	—	—	—	—	—	—	—	—	—	—	—
MHP	125/150/175	40	T2A	T2A	T2A	T2B	T2B	T2B	T2B	T2B	T2B	T2B	90
		55	T2A	T2A	T2A	T2A	T2A	T2A	T2A	T2A	T2A	T2A	125
		65	—	—	—	—	—	T2A	T2A	T2A	T2A	T2A	125
MHP	200	40	T2A	T2A	T2A	T2B	T2B	T2B	T2B	T2B	T2B	T2B	90
		55	T2	T2	T2	T2	T2	T2A	T2A	T2A	T2A	T2A	125
		65	—	—	—	—	—	—	—	—	—	—	—
QL	85	40	—	—	—	—	—	T3	T3	T3	T3	T3	75
		55	—	—	—	—	—	—	—	—	—	—	—
		65	—	—	—	—	—	—	—	—	—	—	—

T-CODE & TEMPERATURE RANGE CONVERSION TABLE °C															
T1	350	325	T2	T2A	T2B	T2C	T2D	T3	T3A	T3B	T3C	T4	T4A	T5	T6
351-450	326-350	301-325	281-300	261-280	231-260	216-230	201-215	181-200	166-180	161-165	136-160	121-135	101-120	86-100	<=85

\*\* VM3 Series accepts 5-1/2" threaded optics; VM4 accepts 7-3/4" threaded optics.

— Not available.

① Data does not apply to luminaires with auxiliary quartz lighting; consult factory with requirements. The suitability of these fixtures for Class 1 Division 2 / Zone 2 locations must be determined for each application based on NEC® Articles 501.125(B) or 505.



APPLICATION DATA FOR HAZARDOUS LOCATIONS

VM3/VM4 SERIES THERMAL PERFORMANCE DATA <sup>①</sup> CLASS I ZONE 2 RESTRICTED BREATHING											
DESCRIPTION			VM3 SERIES**			VM4 SERIES**					
LAMP TYPE	LAMP WATTAGE	AMBIENT °C	GLOBE ONLY	GLOBE W/ REFLECTOR	REFRACTOR VMR	GLOBE ONLY	GLOBE W/ REFLECTOR	REFRACTOR VMR	ENCLOSED REFLECTORS		SUPPLY WIRE °C
									VMER40	VMEP40	
HPS	50	40	T6	T6	T6	T6	T6	T6	T6	T6	90
		55	T5	T5	T5	T6	T6	T6	T6	T6	90
		65	T4	T4	T4	T5	T5	T5	T5	T5	90
HPS	70	40	T5	T5	T5	T6	T6	T6	T6	T6	90
		55	T5	T5	T5	T5	T5	T5	T5	T5	90
		65	T4	T4	T4	T5	T5	T5	T5	T5	90
HPS	100	40	T5	T5	T5	T5	T5	T5	T5	T5	90
		55	T4	T4	T4	T5	T5	T5	T5	T5	90
		65	T4	T4	T4	T4	T4	T4	T4	T4	125
HPS	150	40	T4	T4	T4	T4	T4	T4	T4	T4	90
		55	T3	T3	T3	T4	T4	T4	T4	T4	90
		65	—	—	—	—	—	—	—	—	—
MH	70	40	T5	T5	T5	T5	T6	T6	T6	T6	90
		55	T4	T4	T4	T5	T5	T5	T5	T5	90
		65	T4	T4	T4	T4	T4	T4	T4	T4	90
MH	100	40	T4	T4	T4	T5	T5	T5	T5	T5	90
		55	T4	T4	T4	T5	T4	T4	T4	T4	90
		65	T4	T4	T4	T4	T4	T4	T4	T4	90
MH	175	40	T3	T3	T3	T4	T4	T4	T4	T4	90
		55	T3	T3	T3	T4	T4	T4	T4	T4	125
		65	—	—	—	—	—	—	—	—	—
MH	250	40	T3	T3	T3	T3	T3	T3	T3	T3	90
		55	—	—	—	—	—	—	—	—	—
		65	—	—	—	—	—	—	—	—	—
MHP	150/175	40	T3	T3	T3	T4	T4	T4	T4	T4	90
		55	T3	T3	T3	T4	T4	T4	T4	T4	90
		65	—	—	—	T3	T3	T3	T3	T3	125
MHP	200	40	T3	T3	T3	T4	T4	T4	T4	T4	90
		55	T3	T3	T3	T3	T3	T3	T3	T3	125
		65	—	—	—	—	—	—	—	—	—

T-CODE & TEMPERATURE RANGE CONVERSION TABLE °C															
T1	350	325	T2	T2A	T2B	T2C	T2D	T3	T3A	T3B	T3C	T4	T4A	T5	T6
351-450	326-350	301-325	281-300	261-280	231-260	216-230	201-215	181-200	166-180	161-165	136-160	121-135	101-120	86-100	<=85

\*\* VM3 Series accepts 5-1/2" threaded optics; VM4 accepts 7-3/4" threaded optics.

— Not available.

① Data does not apply to luminaires with auxiliary quartz lighting; consult factory with requirements. The suitability of these fixtures for Class I Zone 2 AEx nAR II locations must be determined for each application based on NEC® Article 505. Restricted breathing fixture with photo cell T3 Ⓢ only.



# LIGHTING

CERTILITE® V SERIES



## APPLICATION DATA FOR HAZARDOUS LOCATIONS

VM3/VM4 SERIES THERMAL PERFORMANCE DATA ① CLASS II DIVISIONS 1 & 2 GROUPS E, F, G & CLASS III*													
DESCRIPTION			VM3 SERIES**					VM4 SERIES**					
LAMP TYPE	LAMP WATTAGE	AMBIENT °C	GLOBE ONLY	GLOBE W/ REFLECTOR	VMR	REFRACTORS		GLOBE ONLY	GLOBE W/ REFLECTOR	REFRACTOR VMR	ENCLOSED REFLECTORS		SUPPLY WIRE °C
						VZRG 8"	VZRG 12"				VMER40	VMEP40	
HPS	50	40	T3C	T3C	T3C	T3C	T3C	T3B	T3B	T3B	T3B	T3B	90
		55	—	—	—	—	—	—	—	—	—	—	—
		65	—	—	—	—	—	—	—	—	—	—	—
HPS	70	40	T3C	T3C	T3C	T3C	T3C	T3B	T3B	T3B	T3B	T3B	90
		55	—	—	—	—	—	—	—	—	—	—	—
		65	—	—	—	—	—	—	—	—	—	—	—
HPS	100	40	T3C	T3C	T3C	T3C	T3C	T3B	T3B	T3B	T3B	T3B	90
		55	—	—	—	—	—	—	—	—	—	—	—
		65	—	—	—	—	—	—	—	—	—	—	—
HPS	150	40	T3C	T3C	T3C	T3C	T3C	T3B	T3B	T3B	T3B	T3B	90
		55	—	—	—	—	—	—	—	—	—	—	—
		65	—	—	—	—	—	—	—	—	—	—	—
MH	70	40	T3C	T3C	T3C	T3C	T3C	T3B	T3B	T3B	T3B	T3B	90
		55	—	—	—	—	—	—	—	—	—	—	—
		65	—	—	—	—	—	—	—	—	—	—	—
MH	100	40	T3C	T3C	T3C	T3C	T3C	T3B	T3B	T3B	T3B	T3B	90
		55	—	—	—	—	—	—	—	—	—	—	—
		65	—	—	—	—	—	—	—	—	—	—	—
MH	175	40	—	—	—	—	—	T3B	T3B	T3B	T3B	T3B	90
		55	—	—	—	—	—	—	—	—	—	—	—
		65	—	—	—	—	—	—	—	—	—	—	—
MH	250	40	—	—	—	—	—	T3B	T3B	T3B	T3B	T3B	90
		55	—	—	—	—	—	—	—	—	—	—	—
		65	—	—	—	—	—	—	—	—	—	—	—
MHP	150/175	40	—	—	—	—	—	T3B	T3B	T3B	T3B	T3B	90
		55	—	—	—	—	—	—	—	—	—	—	—
		65	—	—	—	—	—	—	—	—	—	—	—
MHP	200	40	—	—	—	—	—	T3B	T3B	T3B	T3B	T3B	90
		55	—	—	—	—	—	—	—	—	—	—	—
		65	—	—	—	—	—	—	—	—	—	—	—
QL	85	40	—	—	—	—	—	T3B	T3B	T3B	T4	T4	75
		55	—	—	—	—	—	—	—	—	—	—	—
		65	—	—	—	—	—	—	—	—	—	—	—

T-CODE & TEMPERATURE RANGE CONVERSION TABLE °C ②③															
T1	350	325	T2	T2A	T2B	T2C	T2D	T3	T3A	T3B	T3C	T4	T4A	T5	T6
351-450	326-350	301-325	281-300	261-280	231-260	216-230	201-215	181-200	166-180	161-165	136-160	121-135	101-120	86-100	<=85

\* Luminaries rated for Group G (= <165°C), T3B are also suitable for Class III applications; Luminaries rated for E & F ≤ 200°C (T3).

\*\* VM3 Series accepts 5-1/2" threaded optics; VM4 accepts 7-3/4" optics.

— Not available.

① Data does not apply to luminaries with auxiliary quartz lighting; consult factory with requirements.

② Limit for E & F.

③ Limit for G & Class III.



APPLICATION DATA FOR HAZARDOUS LOCATIONS

VM3 / VM4 SERIES THERMAL PERFORMANCE DATA ① ②													
"SIMULTANEOUS PRESENCE" CLASS I DIVISION 2 ( LAMP TEMPERATURE IN DUST CONDITIONS) & CLASS II DIVISION I													
DESCRIPTION			VM3 SERIES**					VM4 SERIES**					
LAMP TYPE	LAMP WATTAGE	AMBIENT °C	GLOBE ONLY	GLOBE W/ REFLECTOR	VMR	REFRACTORS		GLOBE ONLY	GLOBE W/ REFLECTOR	REFRACTOR VMR	ENCLOSED REFLECTORS		SUPPLY WIRE °C
						VZRG 8"	VZRG 12"				VMER40	VMEP40	
HPS	50	40	T3	T2D	T3	T3	T3	T3B	T3A	T3B	T3A	T3A	90
		55	—	—	—	—	—	—	—	—	—	—	—
		65	—	—	—	—	—	—	—	—	—	—	—
HPS	70	40	T3	T2D	T3	T3	T3	T3	T3	T3	T3	T3A	90
		55	—	—	—	—	—	—	—	—	—	—	—
		65	—	—	—	—	—	—	—	—	—	—	—
HPS	100	40	T2C	T2C	T2C	T2C	T2C	T2D	T2D	T2D	T2D	T3	90
		55	—	—	—	—	—	—	—	—	—	—	—
		65	—	—	—	—	—	—	—	—	—	—	—
HPS	150	40	T2A	T2A	T2A	T2A	T2A	T2B	T2B	T2B	T2B	T2B	90
		55	—	—	—	—	—	—	—	—	—	—	—
		65	—	—	—	—	—	—	—	—	—	—	—
MH	70	40	T3A	T3A	T3A	T3A	T3A	T3C	T3B	T3C	T3C	T3C	90
		55	—	—	—	—	—	—	—	—	—	—	—
		65	—	—	—	—	—	—	—	—	—	—	—
MH	100	40	T2D	T2D	T2D	T2D	T2D	T3	T3	T3	T3	T3	90
		55	—	—	—	—	—	—	—	—	—	—	—
		65	—	—	—	—	—	—	—	—	—	—	—
MH	175	40	—	—	—	—	—	T2A	T2A	T2A	T2A	T2A	90
		55	—	—	—	—	—	—	—	—	—	—	—
		65	—	—	—	—	—	—	—	—	—	—	—
MH	250	40	—	—	—	—	—	325°C	325°C	325°C	325°C	325°C	90
		55	—	—	—	—	—	—	—	—	—	—	—
		65	—	—	—	—	—	—	—	—	—	—	—
MHP	150/175	40	—	—	—	—	—	T2A	T2A	T2A	T2A	T2A	90
		55	—	—	—	—	—	—	—	—	—	—	—
		65	—	—	—	—	—	—	—	—	—	—	—
MHP	200	40	—	—	—	—	—	T2A	T2A	T2A	T2A	T2A	90
		55	—	—	—	—	—	—	—	—	—	—	—
		65	—	—	—	—	—	—	—	—	—	—	—

T-CODE & TEMPERATURE RANGE CONVERSION TABLE ° C															
T1	350	325	T2	T2A	T2B	T2C	T2D	T3	T3A	T3B	T3C	T4	T4A	T5	T6
351-450	326-350	301-325	281-300	261-280	231-260	216-230	201-215	181-200	166-180	161-165	136-160	121-135	101-120	86-100	<=85

\*\* VM3 Series accepts 5-1/2" threaded optics; VM4 accepts 7-3/4" optics.

— Not available.

① Data does not apply to luminaires with auxiliary quartz lighting; consult factory with requirements.

② Table shows lamp temperature inside dust covered optic - see Class II table for Groups E, F, G and Class III data.



## APPLICATION DATA FOR HAZARDOUS LOCATIONS

VM5 SERIES THERMAL PERFORMANCE DATA ①												
DESCRIPTION			CLASS I DIVISION 2 GROUPS A, B, C, D / ZONE 2 GROUPS IIC, IIB, IIA					CLASS I ZONE 2, "RESTRICTED BREATHING" ②				
LAMP TYPE	LAMP WATTAGE	AMBIENT °C	GLOBE ONLY	GLOBE W/ REFLECTOR	REFRACTOR VZRG 12"	ENCLOSED REFLECTORS		GLOBE ONLY	GLOBE W/ REFLECTOR	ENCLOSED REFLECTORS		SUPPLY WIRE °C
						VMER40	VMEP40			VMER40	VMEP40	
HPS	200	40	325°C	325°C	325°C	T2	T2	T3	T3	T4	T4	90
		55	350°C	350°C	350°C	325°C	325°C	T3	T3	T3	T3	125
		65	—	—	—	—	—	—	—	—	—	—
HPS	250	40	325°C	325°C	325°C	T2	T2	T3	T3	T4	T4	90
		55	350°C	350°C	350°C	325°C	325°C	T3	T3	T3	T3	125
		65	350°C	350°C	350°C	325°C	325°C	T3	T3	T4	T4	125
HPS	400	40	350°C	450°C	350°C	350°C	350°C	T3	T3	T3	T3	90
		55	450°C	—	450°C	450°C	450°C	T3	—	T3	T3	125
		65	—	—	—	—	—	—	—	—	—	—
HPS	600	40	—	—	—	450°C	450°C	—	—	T3	T3	90
		55	—	—	—	450°C	450°C	—	—	T3	T3	125
		65	—	—	—	—	—	—	—	—	—	—
MH	250	40	T2	325°C	T2	T2	T2	T3	T3	T3	T3	90
		55	—	—	—	—	—	—	—	—	—	—
		65	—	—	—	—	—	—	—	—	—	—
MH	400	40	T2	325°C	T2	T2	T2	T3	T3	T3	T3	90
		55	—	—	—	—	—	—	—	—	—	—
		65	—	—	—	—	—	—	—	—	—	—
MHP	250	40	T2B	T2B	T2B	T2B	T2B	T4	T4	T4	T4	90
		55	T2A	T2A	T2A	T2B	T2B	T3	T3	T3	T3	90
		65	—	—	—	—	—	—	—	—	—	—
MHP	320	40	T2B	T2B	T2B	T2B	T2B	T4	T4	T4	T4	90
		55	T2A	T2A	T2A	T2B	T2B	T3	T3	T3	T3	90
		65	T2A	—	T2A	T2A	T2A	T3	—	T3	T3	125
MHP	350	40	T2A	T2A	T2A	T2B	T2B	T3	T3	T4	T4	90
		55	T2	T2	T2A	T2A	T2A	T3	T3	T3	T3	125
		65	—	—	—	—	—	—	—	—	—	—
MHP	400	40	T2A	T2A	T2A	T2B	T2B	T3	T3	T4	T4	90
		55	T2	T2	T2A	T2A	T2A	T3	T3	T3	T3	125
		65	—	—	—	—	—	—	—	—	—	—
QL	165 ③	40	T3	T3	T3	T3A	T3A	T6	T5	T6	T6	75
		55	—	—	—	—	—	—	—	—	—	—
		65	—	—	—	—	—	—	—	—	—	—

T-CODE & TEMPERATURE RANGE CONVERSION TABLE °C															
T1	350	325	T2	T2A	T2B	T2C	T2D	T3	T3A	T3B	T3C	T4	T4A	T5	T6
351-450	326-350	301-325	281-300	261-280	231-260	216-230	201-215	181-200	166-180	161-165	136-160	121-135	101-120	86-100	<=85

— Not available

① Data does not apply to luminaires with auxiliary quartz lighting; consult factory with requirements.

The suitability of these fixtures for Class I Zone 2 AEx nAR II locations must be determined for each application based on NEC® Article 505. Restricted breathing fixture with photo cell T3 Ⓢ only.

② See L82 for Restricted Breathing Information.

③ VM5Q uses VM4 optics including VMG25 and VMR25x all glass refractors.



APPLICATION DATA FOR HAZARDOUS LOCATIONS

VM5 SERIES THERMAL PERFORMANCE DATA ① ②													
DESCRIPTION			CLASS II DIVISION 1 & 2 GROUPS E, F, G & CLASS III*					SIMULTANEOUS PRESENCE ② LAMP TEMP. IN DUST CONDITIONS					
LAMP TYPE	LAMP WATTAGE	AMBIENT °C	GLOBE ONLY	GLOBE W/ REFLECTOR	REFRACTOR VZRG 12"	ENCLOSED REFLECTORS		GLOBE ONLY	GLOBE W/ REFLECTOR	REFRACTOR VZRG 12"	ENCLOSED REFLECTORS		SUPPLY WIRE °C
						VMER40	VMEP40				VMER40	VMEP40	
HPS	200	40	T3C	T3C	T4A	T4	T4	350°C	350°C	325°C	325°C	325°C	90
		55	—	—	T4	T3C	T3C	—	—	350°C	350°C	350°C	125
		65	—	—	—	—	—	—	—	—	—	—	—
HPS	250	40	T3C	T3C	T4A	T4	T4	350°C	350°C	325°C	325°C	325°C	90
		55	—	—	T4	T3C	T3C	—	—	350°C	350°C	350°C	125
		65	—	—	T4	T3C	T3C	—	—	350°C	350°C	350°C	125
HPS	400	40	T3B	T3B	T4	T4	T4	T1	T1	350°C	350°C	350°C	90
		55	—	—	T3C	T3B	T3B	—	—	T1	T1	T1	125
		65	—	—	—	—	—	—	—	—	—	—	—
MH	250	40	—	—	T4	T4	T4	—	—	325°C	325°C	325°C	90
		55	—	—	—	—	—	—	—	—	—	—	—
		65	—	—	—	—	—	—	—	—	—	—	—
MH	400	40	—	—	T4	T4	T4	—	—	325°C	325°C	325°C	90
		55	—	—	—	—	—	—	—	—	—	—	—
		65	—	—	—	—	—	—	—	—	—	—	—
MHP	250	40	—	—	T4	T4	T4	—	—	T2B	T2B	T2B	90
		55	—	—	T4	T4	T4	—	—	T2A	T2A	T2A	90
		65	—	—	—	—	—	—	—	—	—	—	—
MHP	320	40	—	—	T4	T4	T4	—	—	T2B	T2B	T2B	90
		55	—	—	T3C	T3C	T3C	—	—	T2A	T2A	T2A	90
		65	—	—	—	—	—	—	—	—	—	—	—
MHP	350	40	—	—	T4	T4	T4	—	—	T2A	T2A	T2A	90
		55	—	—	T3C	T3C	T3C	—	—	T2	T2	T2	125
		65	—	—	—	—	—	—	—	—	—	—	—
MHP	400	40	—	—	T4	T4	T4	—	—	T2A	T2A	T2A	90
		55	—	—	T3C	T3C	T3C	—	—	T2	T2	T2	125
		65	—	—	—	—	—	—	—	—	—	—	—
QL	165 ⑤	40	T3C	T3C	T3C	T3C	T3C	—	—	—	—	—	75
		55	—	—	—	—	—	—	—	—	—	—	—
		65	—	—	—	—	—	—	—	—	—	—	—

T-CODE & TEMPERATURE RANGE CONVERSION TABLE°C ③ ④															
T1	350	325	T2	T2A	T2B	T2C	T2D	T3	T3A	T3B	T3C	T4	T4A	T5	T6
351-450	326-350	301-325	281-300	261-280	231-260	216-230	201-215	181-200	166-180	161-165	136-160	121-135	101-120	86-100	<=85

\* Luminaires rated for Group G (= <165°C), T3B are also suitable for Class III applications; Luminaries rated for E & F ≤ 200°C (T3).  
 — Not available.  
 \*\*\* Table shows lamp temperature inside optic dust conditions, see Class II table for Groups E, F, G data.  
 ① Data does not apply to luminaires with auxiliary quartz lighting; consult factory with requirements.  
 ② Table shows lamp temperature inside dust covered optic - see Class II table for Groups E, F, G and Class III data.  
 ③ Limit for E & F.  
 ④ Limit for G & Class III.  
 ⑤ VM5Q uses VM4 optics including VMG25 and VMR25x all glass refractors.





HID AND INDUCTION FIXTURES • BALLAST/FUSE KIT DATA

HID BALLAST DATA & FUSE KIT ①											
LAMP SOURCE	LAMP WATTS/TYPE	VOLTAGE	CURRENT (AMPS)			INPUT WATTS	BALLAST CIRCUIT ②	REGULATION	MIN. START	VM FUSE KIT ③	EZ FUSE KIT
			START	OPERATING	OPEN						
MHP	125 M-150	120	0.85	1.40	0.90	155	CWA	±10% VOLTAGE ±10% WATTAGE	-30C -20F	1VM-4	1FK-4
		208	0.50	0.80	0.55					2VM-3	2FK-3
		240	0.40	0.70	0.45					2VM-2	2FK-2
		277	0.35	0.60	0.40					1VM-2	1FK-2
		480	0.20	0.35	0.25					2VM-1	2FK-1
		347	0.30	0.45	0.25					1VM-1	2FK-2
MHP	150 M-102	120	1.75	1.60	3.65	185	HX-HPF	±5% VOLTAGE ±12% WATTAGE	-30C -20F	1VM-10	1FK-10
		208	1.30	1.00	2.10					2VM-5	2FK-5
		240	0.85	0.80	1.80					2VM-5	2FK-5
		277	0.77	0.70	1.58					1VM-4	1FK-4
		480	0.45	0.42	0.81					2VM-3	2FK-3
		347	0.65	0.62	0.98					1VM-3	1FK-3
MHP	175 M-137	120	0.95	1.80	1.80	208	CWA	±10% VOLTAGE ±10% WATTAGE	-30C -20F	1VM-5	1FK-5
		208	0.55	1.05	1.05					2VM-3	2FK-3
		240	0.45	0.90	0.90					2VM-3	2FK-3
		277	0.40	0.80	0.80					1VM-2	1FK-2
		480	0.25	0.50	0.45					2VM-2	2FK-2
		347	0.40	0.70	0.60					1VM-2	1FK-2
MHP	200 M-136	120	0.82	2.12	1.85	227	CWA	±10% VOLTAGE ±10% WATTAGE	-30C -20F	1VM-6	1FK-6
		208	0.47	1.22	1.06					2VM-4	2FK-4
		240	0.40	1.06	0.91					2VM-3	2FK-3
		277	0.35	0.93	0.80					1VM-3	1FK-3
		480	0.18	0.50	0.60					2VM-2	2FK-2
		347	0.25	0.70	0.65					1VM-2	1FK-2
MHP	750 M-149	120	4.50	7.1	5.15	825	CWA	±10% VOLTAGE ±10% WATTAGE	-30C -22F		
		208	2.60	4.1	2.95						
		240	2.25	3.55	2.55						
		277	1.95	3.10	2.2						
		480									
		347									
MHP	875 M-166	120	6.15	7.90	4.25	945	CWA	±10% VOLTAGE ±10% WATTAGE	-30C -22F		
		208	3.55	4.55	2.45						
		240	3.05	3.95	2.15						
		277	2.65	3.45	1.85						
		480									
		347									
MHP	1000 M-141	120	6.20	4.00	5.65	1080	CWA	CWA	-30C -22F		
		208	3.60	5.20	3.25						
		240	3.10	4.50	2.80						
		277	2.70	3.90	2.45						
		480									
		347									
MHP	250 M-138	120	2.30	2.50	1.40	291	CWA	±10% VOLTAGE ±10% WATTAGE	-30C -20F	1VM-8	1FK-8
		208	1.30	1.45	0.80					2VM-5	2FK-5
		240	1.15	1.25	0.70					2VM-5	2FK-5
		277	1.00	1.10	0.60					1VM-3	1FK-3
		480	0.21	0.57	0.48					2VM-2	2FK-2
		347	0.45	0.95	0.75					1VM-3	1FK-3
MHP	320 M-132	120	1.80	3.25	2.30	368	CWA	±10% VOLTAGE ±10% WATTAGE	-30C -20F	1VM-8	1FK-8
		208	1.05	1.90	1.35					2VM-6	2FK-6
		240	0.30	1.65	1.15					2VM-5	2FK-5
		277	0.80	1.40	1.00					1VM-3	1FK-3
		480	0.45	0.80	0.60					2VM-5	2FK-5
		347	0.70	1.10	0.80					1VM-3	1FK-3
MHP	350 M-131	120	2.20	3.40	2.20	400	CWA	±10% VOLTAGE ±10% WATTAGE	-30C -20F	1VM-10	1FK-10
		208	1.30	2.00	1.30					2VM-7	2FK-7
		240	1.10	1.70	1.10					2VM-5	2FK-5
		277	1.00	1.50	1.00					1VM-5	1FK-5
		480	0.60	0.85	0.60					2VM-3	2FK-3
		347	0.85	1.20	0.80					1VM-3	1FK-3
MHP	400 M-135	120	2.85	3.80	2.20	452	CWA	±10% VOLTAGE ±10% WATTAGE	-30C -20F	1VM-10	1FK-10
		208	1.65	2.20	1.50					2VM-7	2FK-7
		240	1.45	1.90	1.10					2VM-5	2FK-5
		277	1.25	1.65	0.95					1VM-5	1FK-5
		480	0.75	1.00	0.60					2VM-3	2FK-3
		347	1.10	1.35	0.75					1VM-4	1FK-4

① Fuse kits, for field installation, must be used within guidelines of governing Electric Codes. Fuses not permitted by CSA C22.2 no.137 for Canada.

② All ballasts circuits are High Power Factor 90%+.

③ Nominal voltages measured at 115V or 230V.

④ KF HID fusing factory only

\* Lamp watts: within ANSI trapezoid limitations. Consult major lamp & ballast manufacturer catalogs if more detailed data is needed.

QL INDUCTION BALLAST DATA							
LAMP SOURCE	LAMP WATTS/TYPE	VOLTAGE	INRUSH CURRENT .005 SEC	NOMINAL OPERATING CURRENT	THD	REGULATION	MIN. START
Induction	55	120	16A	.46A	<10%	±20V, ±2% W	-40C
		200-277	12A	.26A			-40F
Induction	85	120	16A	.73A	<10%	±20V, ±2% W	-40C
		200-277	12A	.40A			-40F
Induction	165	120	28A	1.42A	<10%	±20V, ±2% W	-40C
		200-277	24A	.74A			-40F

# LIGHTING

EM/EQ SERIES



## INCANDESCENT/COMPACT FLUORESCENT/MEDIUM BASE HID



**Class I, Div. 1 & 2, Groups C,D**  
**Class I, Zones 1 & 2, Groups IIB, IIA**  
**Class II, Div. 1 & 2, Groups E,F,G**  
**Class III, Div. 1 & 2**  
 Suitable for wet locations  
**UL Marine Rated (US Only)**  
**NEMA 3, 4, 4X**  
**Factory Sealed**

LISTED - Files E10514 and E91793 (Marine)

Certified - File LR11713

### FEATURES-SPECIFICATIONS

## HOSTILELITE®

#### Applications

HostileLite® EM & EQ Series fixtures are designed for installations where moisture, dirt, dust, corrosion and vibration may be present, or NEMA 3 and 4x areas where wind, water, snow or high ambients can be expected. They can be used in locations made hazardous due to the presence of flammable or explosive gases, vapors and combustible dusts as defined by the NEC.

applications include classified areas such as paint manufacturing plants, ammunition facilities, oil and gas producing and refining plants, off-shore and dockside installations, tank farms, pipeline pumping stations and marine loading and fuel transfer terminals.

#### Features

- Four light sources—Incandescent, compact fluorescent, high pressure sodium and metal halide
- Mounting choice—Pendant, ceiling, 25° stanchion or 90° wall mount, all with “wireless” design that allows fast, easy fixture installation
- Factory sealed—No external seal needed. Simply wire mounting cap and thread on fixture to install
- Compact size—Medium base incandescent and HID lamps, plus PL fluorescent lamps allow smaller fixture design
- Corrosion resistant—Copper-free aluminum die-cast construction. Baked powder epoxy finish, electrostatically applied. Exposed hardware is 316 grade stainless steel

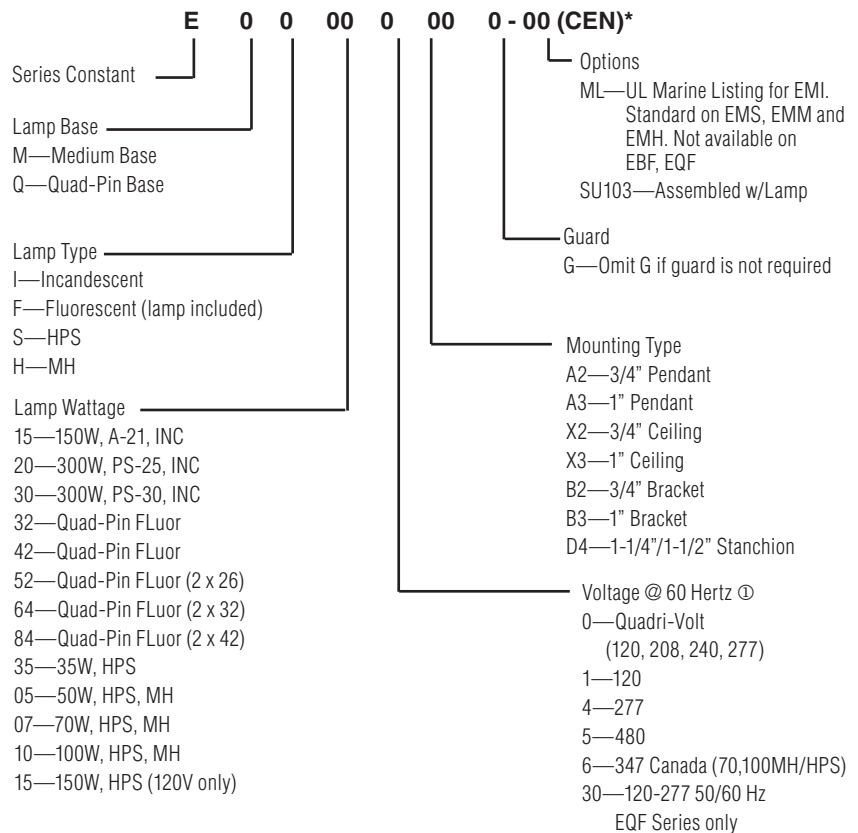
#### Accessories

- Available with or without guard, standard dome or 25° angle reflector, exit sign and inner colored globes

#### Compliances

- UL-844 Electric Lighting Fixtures for use in Hazardous Locations
- UL Marine Type Electric Lighting Fixtures
- UL-1598 Standard for Fluorescent, Incandescent and HID fixtures
- CSA C22.2 no. 137-M1981 Electric Luminaires for use in Hazardous Locations
- NEMA 3, 4, 4X, 7CD, 9EFG

#### Catalog Number Logic



\*CEN (CENELEC) approval option available on certain models. See page L150 for more information.

⊕ Consult factory for available lamp and voltage combinations.



EM/EQ SERIES

# KILLARK

INCANDESCENT, 60-300W MEDIUM BASE; COMPACT FLUORESCENT, 13-84W



Pendant



Ceiling



Wall



Stanchion

Class I, Div. 1 & 2, Groups C,D  
 Class I, Zones 1 & 2, Groups IIB, IIA  
 Class II, Div. 1 & 2, Groups E,F,G  
 Class III, Div. 1 & 2  
 Suitable for wet locations  
 Marine Rated (US Only)  
 NEMA 3, 4, 4X  
 Factory Sealed

LISTED - Files E10514 and E91793 (Marine)

Certified - File LR11713

**FEATURES-SPECIFICATIONS**

EM 60 – 300W MEDIUM BASE INCANDESCENT ①						
LAMP TYPE	LAMP/WATTS	LAMP SIZE	CATALOG NUMBER ④			
			PENDANT 3/4" ②	CEILING 3/4" ②	WALL 3/4" ②	STANCHION 1-1/4" ③
INC	60, 75, 100, 150	A-19, A-21	EMI15A2G	EMI15X2G	EMI15B2G	EMI15D4G
	100, 150, 200, 300	A-23, PS-25	EMI20A2G	EMI20X2G	EMI20B2G	EMI20D4G
	200, 300	PS-25, PS-30	EMI30A2G	EMI30X2G	EMI30B2G	EMI30D4G

EQF 26 - 42W WORLD VOLTAGE QUAD - PIN COMPACT FLUORESCENT ①						
LAMP TYPE	QUAD-PIN FLUORESCENT		CATALOG NUMBER ④			
	LAMP INCLUDED	LINE VOLTAGE	PENDANT 3/4" ②	CEILING 3/4" ②	WALL 3/4" ②	STANCHION 1-1/4" ③
COMPACT FLUOR.	26 Watt 5	120-277VAC 50-60Hz	EQF2630A2G	EQF2630X2G	EQF2630B2G	EQF2630D4G
	32 Watt 5	120-277VAC 50-60Hz	EQF3230A2G	EQF3230X2G	EQF3230B2G	EQF3230D4G
	42 Watt 5	120-277VAC 50-60Hz	EQF4230A2G	EQF4230X2G	EQF4230B2G	EQF4230D4G
	52 Watt (2 X 26)	120-277VAC 50-60Hz	EQF5230A2G	EQF5230X2G	EQF5230B2G	EQF5230D4G
	64 Watt (2 X 32)	120-277VAC 50-60Hz	EQF6430A2G	EQF6430X2G	EQF6430B2G	EQF6430D4G
	84 Watt (2 X 42)	120-277VAC 50-60Hz	EQF8430A2G	EQF8430X2G	EQF8430B2G	EQF8430D4G

- ① See Hazardous Location Application Data on pages L150 - L151 for specific suitabilities.
  - ② For 1" pendant, ceiling and wall hubs, substitute "3" for "2" in catalog number; example: **EQF2630A3G**.
  - ③ Stanchion conduit hub size supplied is 1-1/2" with 1-1/2" to 1-1/4" reducer for 1-1/4" mounting. (refer to catalog logic).
  - ④ Luminaire catalog numbers include guards. To order luminaire without guard, omit last letter "G" from catalog number.
  - ⑤ EQF 26-42 Watt fixtures use a tank extension ring and are 2.5" taller than EBF fixtures.
- NOTE: Reflectors must be ordered separately (see page L146). All luminaires are designed for mounting with lamp in base up position.





# LIGHTING

## HID, 35-150W MEDIUM BASE



Class I, Div. 1 & 2, Groups C,D  
 Class I, Zones 1 & 2, Groups IIB, IIA  
 Class II, Div. 1 & 2, Groups E,F,G  
 Class III, Div. 1 & 2  
 Suitable for wet locations  
 Marine Rated (US Only)  
 NEMA 3, 4, 4X  
 Factory Sealed

LISTED - Files E10514 and E91793 (Marine)

Certified - File LR11713

### FEATURES-SPECIFICATIONS

EM 35 - 150W MEDIUM BASE HIGH PRESSURE SODIUM ①④							
LAMP TYPE	LAMP WATTS	ANSI LAMP TYPE	VOLTAGE @60 HERTZ	CATALOG NUMBER④			
				PENDANT 3/4"②	CEILING 3/4"②	WALL 3/4"②	STANCHION 1-1/4"③
HPS	35	S-76	120	EMS351A2G	EMS351X2G	EMS351B2G	EMS351D4G
	50	S-68	120, 208, 240, 277	EMS050A2G	EMS050X2G	EMS050B2G	EMS050D4G
	70	S-62	120, 208, 240, 277	EMS070A2G	EMS070X2G	EMS070B2G	EMS070D4G
	70	S-62	480	EMS075A2G	EMS075X2G	EMS075B2G	EMS075D4G
	100	S-54	120, 208, 240, 277	EMS100A2G	EMS100X2G	EMS100B2G	EMS100D4G
	100	S-54	480	EMS105A2G	EMS105X2G	EMS105B2G	EMS105D4G
	150	S-55	120	EMS151A2G	EMS151X2G	EMS151B2G	EMS151D4G

EM 50 -100W MEDIUM BASE METAL HALIDE ①④							
LAMP TYPE	LAMP WATTS	ANSI LAMP TYPE	VOLTAGE @60 HERTZ	CATALOG NUMBER④			
				PENDANT 3/4"②	CEILING 3/4"②	WALL 3/4"②	STANCHION 1-1/4"③
MH	50	M-110	120, 208, 240, 277	EMH050A2G	EMH050X2G	EMH050B2G	EMH050D4G
	70	M-98	120, 208, 240, 277	EMH070A2G	EMH070X2G	EMH070B2G	EMH070D4G
	100	M-90	120, 208, 240, 277	EMH100A2G	EMH100X2G	EMH100B2G	EMH100D4G

- ① See Hazardous Location Application Data on page L150 - L151 for specific suitabilityes.
  - ② For 1" pendant, ceiling and wall hubs, substitute "3" for "2" in catalog number; example: EMS351A3G.
  - ③ Stanchion conduit hub size supplied is 1-1/2" with 1-1/2" to 1-1/4" reducer for 1-1/4" mounting. (refer to catalog logic).
  - ④ Luminaire catalog numbers include guards. To order luminaire without guard, omit last letter "G" from catalog number.
- NOTE: Reflectors must be ordered separately (see page L146). All luminaires are designed for mounting with lamp in base up position.



**COMPONENT PARTS/ACCESSORIES**



**EMI15/20/EBF**



**EMI30 & HID**



**Pendant**



**Ceiling**



**Wall Bracket**



**25° Stanchion**

**UL LISTED** - Files E10514 and E91793 (Marine)  
**SP Certified** - File LR11713

**Housing, Globe and Globe Support Assemblies<sup>①</sup>**

INCANDESCENT			
CATALOG NUMBER	LAMP TYPE	WATTS	VOLTS <sup>③</sup>
EMI15	A-19	60, 75	250 MAX. VAC
	A-19, A-21	100	
	A-21	150	
EMI20	A-23, PS-25	150	250 MAX. VAC
	A-23, PS-25	200	
	PS-25	300	
EMI30	PS-25	200	250 MAX. VAC
	PS-30	300	

FLUORESCENT WITH LAMP(S)*			
CATALOG NUMBER	ANSI LAMP TYPE	WATTS	VOLTS
EQF2630	Quad Pin Fluorescent	26	120-277 VAC 50-60Hz
EQF3230		32	
EQF4230		42	
EQF5230		52 (2X26)	
EQF6430		64 (2X32)	
EQF8430		84 (2X42)	

HPS			
CATALOG NUMBER	ANSI LAMP TYPE	WATTS	VOLTS @60HZ
EMS351	S-76	35	120
EMS050	S-68	50	Quad
EMS070	S-62	70	Quad 480
EMS075			
EMS100	S-54	100	Quad 480
EMS105			
EMS151			

METAL HALIDE			
CATALOG NUMBER	ANSI LAMP TYPE	WATTS	VOLTS @60HZ
EMH050	M-110	50	Quadri-Volt
EMH070	M-98	70	Quadri-Volt
EMH100	M-90	100	Quadri-Volt

MOUNTING BOXES				
CATALOG NUMBER				HUB SIZE
PENDANT	CEILING	BRACKET	STANCHION	
EZA2	EZX2	EZB2	—	3/4"
EZA3	EZX3	EZB3	—	1"
—	—	—	EZD4*	1-1/4"/1-1/2"*

\*1-1/2" furnished with 1-1/2"-1-1/4" reducer



**HIC-BEIGE** replacement wiring plug for EZBx Wall Bracket



Close up plug for EZ mounting boxes. Used for maintenance when fixture is removed for service.



**EMG1**



**EMG2**



**EAC<sup>20</sup>**



**Standard Dome**



**Angle Dome**

GUARDS		
CATALOG NUMBER	SERIES	LAMP TYPE
EMG1	EMI15	INC
	EMI20	INC
	EQF (26, 32, 42)	Quad-Pin
EMG2	EMI30	INC
	EMS	HPS
	EMH	MH
	ESX	Strobe
	EQF (52, 64, 84)	Quad-Pin

Guards are cast of copper-free aluminum with electrostatically applied epoxy/polyester finish.

- \* Consult factory for 52, 64 and 84 Watt availability.
- ① Assemblies may be ordered with the CEN (CENELEC) suffix. See page L148 for more information.
- ② Adapters for discontinued Killark "H" Series and Crouse Hinds<sup>®</sup> available.
- ③ UL fixture rating; socket rated 600V.

REFLECTORS		
CATALOG NUMBER		SERIES
STANDARD DOME	ANGLE	
ERSD15	ERA15	EMI15/EMI20
		EQF
ERSD30	ERA30	EMI30
		EMS
		EMH
		EQF (52, 64, 84)

Reflectors are aluminum with white finish.



**FACTORY SEALED**

**Class I, DIV. 1 BCD**  
**Class II, DIV. 1&2 EFG**  
**CLASS III**  
**NEMA 3, 4X IP66**  
 \*40°C ambient T3 Rated

PHOTO CELL FIELD KITS WITH HKB - GL BOX AND COVER	
CATALOG NUMBER	VOLTS
VMHKPC1	120VAC
VMHKPC2	208-277VAC
VMHKPC3	347VAC



REPLACEMENT PARTS/ACCESSORIES



Exit Sign Accessory

Hazardous Locations Exit Sign

Applications

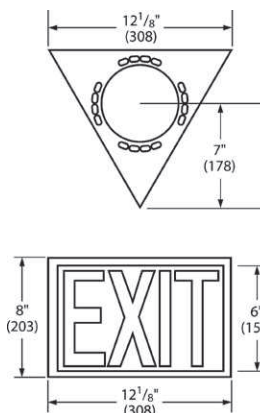
For use in hazardous areas to mark exits over doorways and in hallways.

Features

- Three sided illuminated sign visible from all three sides
- EXIT printed in 6" high red letters with 3/4" strokes as required by OSHA. Sign has open bottom providing light on exit area while illuminating the panel

EXIT SIGN	
CATALOG NUMBER	DESCRIPTION
HEXA-100	Fits EMI15, EMI20, EQF/EEQ Series without guard * (Fixture not included)

\* EQF to 42W



REPLACEMENT FLUORESCENT LAMPS	
CATALOG NUMBER	SIZE & TYPE
MQL26	26W Quad-Pin
MQL32	32W Quad-Pin
MQL42	42W Quad-Pin



Replacement Globe & Support Assemblies

REPLACEMENT GLOBE AND GLOBE SUPPORTS			
CATALOG NUMBER <sup>①</sup>	SERIES	LAMP TYPE	MAX. WATTAGE
EMGS1	EMI15	INC	150
	EMI20	INC	300
	EQF	PL Quad-Pin Fluorescent	26, 32, 42
EMGS2 <sup>②</sup> EMGS3	EMI30	INC	300
	EMS	HPS	150
	EMH	MH	100
	EQF	PL Quad-Pin Fluorescent	52, 64, 84

① EMGS1, EMGS3 are internally fluted glass.

② EMGS2 is smooth clear glass used for ESX strobe.



EM Series

REPLACEMENT SOCKETS	
CATALOG NUMBER	DESCRIPTION
EMRS	EM Series E-26 Medium Base



Female EZTB



Male EZCB

REPLACEMENT CONNECTION BLOCKS	
CATALOG NUMBER	DESCRIPTION
EZTB	Female
EZCB	Male

COLORED GLOBE KITS FOR HAZARDOUS LOCATIONS <sup>③</sup>	
KIT NO.	GLOBE COLOR
KT-100SU41R	RED
KT-100SU41G	GREEN

Used to modify EMI20 Series only fixtures to accept a colored inner globe. The kit includes the globe plus an adapter assembly and mounting instructions.

③ Maximum lamp size A-21 150 Watt.



## BALLAST DATA

EM/EB BALLAST DATA								
LAMP SOURCE	LAMP WATTS/TYPE	VOLTAGE @ 60 HERTZ	START (AMPS)	OPERATING (AMPS)	OPEN (AMPS)	BALLAST CIRCUIT	REGULATION	MIN, START
Quad-Pin Fluorescent	26W	120-277	—	.24(120)/.11(277)	—	HPF	ELECTRONIC	0°F (-18°C)
	32W			.31(120)/.13(277)				
	42W			.38(120)/.18(277)				
Quad-Pin Fluorescent	52W (2X26)	120-277	—	.48(120)/.22(277)	—	HPF	ELECTRONIC	0°F (-18°C)
	64W (2X36)			.62(120)/.26(277)				
	84W (2X42)			.76(120)/.36(277)				
HPS	35W S-76	120	0.55	0.4	0.65	R-HPF ①	±5% Line Voltage*	0°F (-40°C)
HPS	50W S-68	120	0.58	0.58	1.24	HX-HPF ①	±5% Line Voltage*	40°F (-40°C)
		208	0.35	0.33	0.59			
		240	0.3	0.29	0.5			
		277	0.24	0.25	0.44			
HPS	70W S-62	120	0.75	0.81	1.45	HX-HPF ①	±5% Line Voltage*	40°F (-40°C)
		208	0.45	0.47	0.85			
		240	0.37	0.4	0.75			
		277	0.35	0.35	0.65			
HPS	100W S-54	120	1.3	1.15	2.2	HX-HPF ①	±5% Line Voltage*	40°F (-40°C)
		208	0.76	0.66	1.27			
		240	0.66	0.57	1.1			
		277	0.6	0.49	0.85			
HPS	150W S-55	120	2.2	1.5	2.35	HX-HPF ①	±5% Line Voltage*	40°F (-40°C)
		208	0.87	0.6	1.16			
MH	50W M-110	120	0.51	0.35	0.67	HX-HPF ①	±5% Line Voltage ±12% Lamp Watts	-20°F (-30°C)
		208	0.47	0.3	0.57			
		240	0.39	0.25	0.5			
		277	0.8	0.85	1.7			
MH	70W M-98	120	0.5	0.5	1.04	HX-HPF ①	±5% Line Voltage ±12% Lamp Watts	-20°F (-30°C)
		208	0.43	0.43	0.87			
		240	0.39	0.37	0.78			
		277	1.2	1.15	2.3			
MH	100W M-90	120	0.7	0.6	1.3	HX-HPF ①	±5% Line Voltage ±12% Lamp Watts	-20°F (-30°C)
		208	0.61	0.55	1.1			
		240	0.55	0.45	0.95			
		277	0.55	0.45	0.95			

\* Lamp watts within ANSI Trapezoid limitations.

① Ballast circuits are High Power Factor 90%+.

# LIGHTING

EM/EQ/ESX/EEQ SERIES



## DIMENSIONS



Pendant



Ceiling



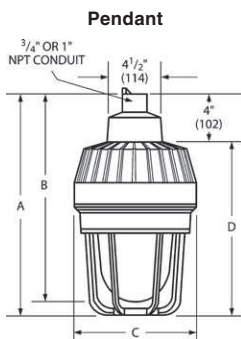
Wall



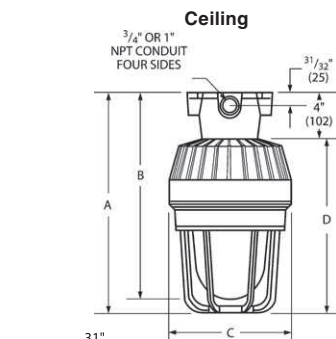
Stanchion

## FEATURES-SPECIFICATIONS

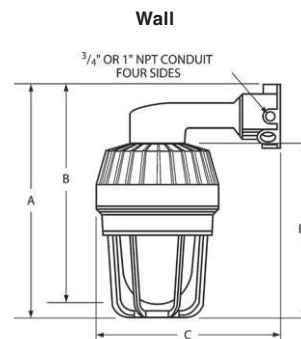
EM/ EMB /ESX DIMENSIONS															
SERIES	PENDANT				CEILING				WALL				STANCHION		
	A	B	C	D	A	B	C	D	A	B	C	D	A	B	C
EMI15	14-5/16"	13-11/16"	7-7/16"	10-5/16"	14-5/16"	13-11/16"	7-7/16"	10-5/16"	15-13/16"	14-7/16"	14-1/2"	10-5/16"	14"	13-1/4"	13"
EMI20	(363)	(346)	(188)	(261)	(363)	(347)	(188)	(261)	(385)	(366)	(369)	(26)	(256)	(337)	(330)
EQF to 42W	16-13/16"	16-3/16"	7-7/16"	12-5/8"	16-13/16"	16-3/16"	7-7/16"	12-5/8"	18-5/16"	16-15/16"	14-1/2"	12-5/8"	16-1/4"	15-3/4"	15-1/4"
EEQ	(427)	(411)	(188)	(321)	(427)	(411)	(188)	(321)	(465)	(430)	(368)	(321)	(413)	(400)	(387)
EMI30															
EMH															
EMS	15-15/16"	15-1/16"	8-13/16"	11-15/16"	15-15/16"	15-1/16"	8-13/16"	11-15/16"	16-13/16"	15-13/16"	15"	11-15/16"	15-1/8"	14"	13-1/2"
ESX	(404)	(382)	(224)	(303)	(404)	(382)	(224)	(303)	(426)	(404)	(379)	(303)	(384)	(356)	(343)
EQF 52, 64, 84															



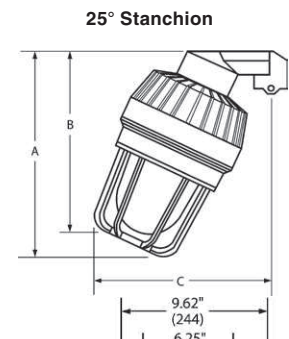
Pendant



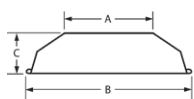
Ceiling



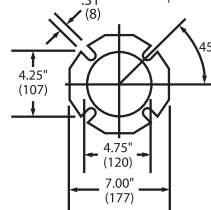
Wall



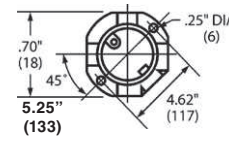
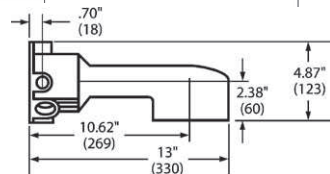
25° Stanchion



Standard Dome



Angle



REFLECTOR DIMENSIONS							
SERIES	STANDARD DOME			ANGLE			
	A	B	C	A	B	C	D
EMI15/EMI20	7-3/8"	14"	3-3/4"	7"	11-1/2"	7-3/4"	1"
EQF to 42W	(187)	(356)	(95)	(178)	(292)	(197)	(25)
EMI30/EMS	8-3/4"	16-1/8"	3-15/16"	8-3/4"	14-3/16"	7-3/4"	1"
EMH	(222)	(409)	(100)	(222)	(360)	(197)	(25)
EQF 52, 64, 84							



APPLICATION DATA

EM/EB/EQ HAZARDOUS LOCATION DATA – CLASS I, DIV. 1 & 2 ①②							
FITURE SERIES	LAMP TYPE/SIZE MAX.	LAMP WATTS	RATED AMBIENT °C	SUPPLY WIRE SUITABLE FOR °C MIN.	CLASS I, DIVISIONS 1 & 2		
					MAXIMUM SURFACE TEMPERATURE °C		
					UL/CSA		
WITH OR WITHOUT REFLECTOR							
				TEMP. I.D.	ACTUAL TEMP.	UL/CSA GROUPS	
EMI15	INC A-19	60	40	75	T6	79	C.D
			55	75	T6		C.D
			65	75	T4A		C.D
EMI15	INC A-19	75	40	75	T4A	103	C.D
			55	90	T4A		C.D
			65	90	T4		C.D
EMI15	INC A-19	100	40	75	T4A	103	C.D
			55	90	T4A		C.D
			65	90	T4		C.D
EMI15	INC A-21	100	40	75	T4A	101	C.D
			55	90	T4A		C.D
			65	90	T4		C.D
EMI15	INC A-21	150	40	75	T4	123	C.D
			55	90	T3C		C.D
			65	90	T3C		C.D
EMI20	INC A-23	100	40	90	T4A	107	C.D
			55	90	T4		C.D
			65	90	T4		C.D
EMI20	INC A-23	150	40	90	T4	132	C.D
			55	90	T3C		C.D
			65	125	T3C		C.D
EMI20	INC PS-25	150	40	90	T4	126	C.D
			55	125	T3C		C.D
			65	125	T3C		C.D
EMI20	INC A-23	200	40	90	T3C	146	C.D
			55	90	T3B		C.D
			65	125	T3A		C.D
EMI20	INC PS-25	200	40	90	T3C	154	C.D
			55	90	T3A		C.D
			65	125	T3A		C.D
EMI20	INC PS-25	300	40	90	T3	190	C.D
			55	125	T2D		C.D
			65				C.D
EMI30	INC PS-25	200	40	125	T3C	146	C.D
			55	125	T3B		C.D
			65	125	T3A		C.D
EMI30	INC PS-25	300	40	125	T3C	143	C.D
			55	125	T3B		C.D
			65	125	T3A		C.D
EMI30	INC PS-30	200	40	125	T3C	146	C.D
			55	125	T3B		C.D
			65	125	T3A		C.D
EMI30	INC PS-30	300	40	125	T3C	146	C.D
			55	125	T3B		C.D
			65	125	T3A		C.D
EQF26	1 26W Quad-Pin	26	40	75	T6	75	C.D
EQF32	1 32W Quad-Pin	32	40	75	T6	75	C.D
EQF42	1 42W Quad-Pin	42	40	75	T6	75	C.D
EQF52	2 26W Quad-Pin	52	40	75	T6	85	C.D
EQF64	2 32W Quad-Pin	64	40	75	T6	85	C.D
EQF84	2 42W Quad-Pin	84	40	75	T6	85	C.D
EMS35	ED17/S-76	35	40	75	T6	65	C.D
			55	90	T5		C.D
			65	90	T4A		C.D
EMS05	ED17/S-68	50	40	75	T6	68	C.D
			55	75	T6		C.D
			65	90	T5		C.D
EMS07	ED17/S-62	70	40	75	T6	83	C.D
			55	90	T5		C.D
			65	90	T4A		C.D
EMS100	ED17/S-54	100	40	75	T5	99	C.D
			55	90	T4A		C.D
			65	125	T4A		C.D
EMS151	ED17/S-55	150	40	75	T4A	119	C.D
			55	90	T4		C.D
			65	125	T3C		C.D
EMH05	BD17/M-110	50	40	75	T6	78	C.D
			55	90	T5		C.D
			65	125	T4A		C.D
EMH07	BD17/M-98	75	40	75	T5	95	C.D
			55	90	T4A		C.D
			65	125	T4A		C.D
EMH100	BD17/M-90	100	40	75	T4A	101	C.D
			55	90	T4		C.D
			65	125	T3C		C.D

① Do not install where marked operating temperature exceeds ignition temperature of hazardous atmosphere.  
 ② See Class II table for simultaneous presence ratings.

## HOSTILEITE®

### CEN Option

### Applications

Killark EM/EB/ESX series fixtures are available with a European “Certificate of Conformity” from PTB (Physikalisch-Technische Bundesanstalt), the approval agency based in Germany. Fixtures with this rating will be useful for Original Equipment Manufacturers and others who build and ship apparatus into European markets.

This approval is granted by PTB with the use of a special ground lug and label. Fixtures carrying an EEx d IIB approval are automatically granted an IP54 (ingress protection) rating. See Temperature Code chart below for PTB certified ratings. Killark EM/EB/ESX fixtures with the PTB rating and labels still carry all UL & CSA ratings.

Fixture housing/globe/globe support assemblies (e.g. EM120 CEN) may be ordered with the CEN suffix. Complete fixture numbers, with the CEN suffix, will be shipped with the mounting boxes, guards and accessories as component parts. Reflectors and other accessory parts, as listed on page L146, may be used. Killark fixtures are NPT tapped and plugged with at least one conduit hole open.

### Compliances

- EN 50014:1992

- EN 50018:1994

EEx d IIB T6 (or T5-T2)

PTB No. Ex-98.E.1076



MAXIMUM AMBIENT TEMPERATURE RANGE -20°C TO 40°C				
TYPE OF LUMINAIRE	TYPE OF ENCLOSURE	FORM OF THE LAMP	MAXIMUM WATTAGE	TEMP. CLASS
EMI15	EMx20	A-19/A-21	150W	T4
EMI20	EMx20	A-23/PS-25	300W	T3
EMI30	EMx30	PS-25/PS-30	300W	T2
EMH05	EMx30	BD17/M-110	50W	T6
EMH07	EMx30	BD17/M-98	70W	T5
EMH10	EMx30	BD17/M-90	100W	T4
EMS35	EMx30	ED17/S-76	35W	T6
EMS05	EMx30	ED17/S-68	50W	T6
EMS07	EMx30	ED17/S-62	70W	T5
EMS10	EMx30	ED17/S-54	100W	T5
EMS15	EMx30	ED17/S-55	150W	T4
ESXx120	EMx30	120V AC	0.17 A	T6
ESXx240	EMx30	240V AC	0.12 A	T6
ESXx1274	EMx30	12 TO 74 V DC	1.25 TI 0.2 A	T6

# LIGHTING



## APPLICATION DATA

EM/EB/EQ HAZARDOUS LOCATION DATA – CLASS II, III, DIVISIONS 1 & 2 <sup>① ②</sup>															
FIXTURE SERIES	LAMP TYPE/SIZE MAX.	LAMP WATTS	RATED AMBIENT °C	SUPPLY WIRE SUITABLE FOR °C HOSEMIN.	CLASS II, DIV. 1 & 2 MAXIMUM SURFACE TEMPERATURE °C				UL/CSA GROUPS	CLASS III DIV. 1 & 2 UL/CSA SUITABILITY	UL MARINE LISTED	U.L. PAINT SPRAY SUITABILITY	UL/CSA TYPE (RAIN-TIGHT)	UL/CSA TYPE 4 (HOSE-DOWN) <sup>③</sup>	
					UL/CSA WITHOUT REFLECTOR		UL/CSA WITH REFLECTOR								
					TEMP. I.D.	ACTUAL TEMP. °C	TEMP. I.D.	ACTUAL TEMP. °C							
EMI15	INC A-19	60	40	75	T3C	132	T3C	132	E,F,G	YES	YES	NO	YES	YES	
			55	75	T3A				E,F	NO	YES	NO	YES	YES	
			65	75	T3A				E,F						
EMI15	INC A-19	75	40	75	T3A	163	T3A	162	E,F	NO	YES	NO	YES	YES	
			55	90	T3A				E,F	NO	YES	NO	YES	YES	
			65	90	T3A				E,F	NO	YES	NO	YES	YES	
EMI15	INC A-19	100	40	75	T3A	163	T3A	162	E,F	NO	YES	NO	YES	YES	
			55	90	T3A				E,F	NO	YES	NO	YES	YES	
			65	90	T3A				E,F	NO	YES	NO	YES	YES	
EMI15	INC A-21	100	40	75	T3A	172	T3A	172	E,F	NO	YES	NO	YES	YES	
			55	90	T3				E,F	NO	YES	NO	YES	YES	
			65	90	T3				E,F	NO	YES	NO	YES	YES	
EMI15	INC A-21	150	40	75	N/A	192	T3	192	E,F	NO	YES	NO	YES	YES	
			55		N/A										
			65		N/A										
EMI20	INC A-23	100	40	90	T3A	166	T3A	166	E,F	NO	YES	NO	YES	YES	
			55	90	T3				E,F	NO	YES	NO	YES	YES	
			65		N/A										
EMI20	INC A-23	150	40	90	T3	196	T3A	178	E,F	NO	YES	NO	YES	YES	
			55	90	T3				E,F	NO	YES	NO	YES	YES	
			65		N/A										
EMI20	INC PS-25	150	40	90	N/A	N/A	N/A	N/A	NO	NO	YES	NO	YES	YES	
			55		N/A										
			65		N/A										
EMI20	INC A-23	200	40	90	N/A	N/A	N/A	N/A	NO	NO	YES	NO	YES	YES	
			55		N/A										
			65		N/A										
EMI20	INC PS-25	200	40	90	N/A	N/A	N/A	N/A	NO	NO	YES	NO	YES	YES	
			55		N/A										
			65		N/A										
EMI20	INC PS-25	300	40	90	N/A	N/A	N/A	N/A	NO	NO	YES	NO	YES	YES	
			55		N/A										
			65		N/A										
EMI30	INC PS-25	200	40	110	N/A	N/A	N/A	N/A	NO	NO	YES	NO	YES	YES	
			55		N/A										
			65		N/A										
EMI30	INC PS-25	300	40	110	N/A	N/A	N/A	N/A	NO	NO	YES	NO	YES	YES	
			55		N/A										
			65		N/A										
EMI30	INC PS-30	200	40	110	N/A	N/A	N/A	N/A	NO	NO	YES	NO	YES	YES	
			55		N/A										
			65		N/A										
EMI30	INC PS-30	300	40	110	N/A	N/A	N/A	N/A	NO	NO	YES	NO	YES	YES	
			55		N/A										
			65		N/A										
EQF26	1 26W Quad-Pin	26	40	75	T4	135	T4	135	E,F,G	YES	NO	YES	YES	YES	
			55	75	T4	135	T4	135	E,F,G	YES	NO	YES	YES	YES	
			65	75	T4	135	T4	135	E,F,G	YES	NO	YES	YES	YES	
EQF32	1 32W Quad-Pin	32	40	75	T4	135	T4	135	E,F,G	YES	NO	YES	YES	YES	
			55	75	T4	135	T4	135	E,F,G	YES	NO	YES	YES	YES	
			65	75	T4	135	T4	135	E,F,G	YES	NO	YES	YES	YES	
EQF42	1 42W Quad-Pin	42	40	75	T4	135	T4	135	E,F,G	YES	NO	YES	YES	YES	
			55	75	T4	135	T4	135	E,F,G	YES	NO	YES	YES	YES	
			65	75	T4	135	T4	135	E,F,G	YES	NO	YES	YES	YES	
EQF52	2 26W Quad-Pin	52	40	75	T4	135	T4	135	E,F,G	YES	NO	YES	YES	YES	
			55	75	T4	135	T4	135	E,F,G	YES	NO	YES	YES	YES	
			65	75	T4	135	T4	135	E,F,G	YES	NO	YES	YES	YES	
EQF64	2 32W Quad-Pin	64	40	75	T4	135	T4	135	E,F,G	YES	NO	YES	YES	YES	
			55	75	T4	135	T4	135	E,F,G	YES	NO	YES	YES	YES	
			65	75	T4	135	T4	135	E,F,G	YES	NO	YES	YES	YES	
EQF84	2 42W Quad-Pin	84	40	75	T4	135	T4	135	E,F,G	YES	NO	YES	YES	YES	
			55	75	T4A	116	T4A	116	E,F,G	YES	YES	YES	YES	YES	
			65		N/A										
EMS35	HPS S-70	35	40	75	T4A	116	T4A	116	E,F,G	YES	YES	YES	YES	YES	
			55		N/A										
			65		N/A										
EMS05	HPS S-68	50	40	75	T4A	116	T4A	116	E,F,G	YES	YES	YES	YES	YES	
			55	75	T4				E,F,G						
			65	90	T3C				E,F,G						
EMS07	HPS S-62	70	40	75	T4A	116	T4A	116	E,F,G	YES	YES	YES	YES	YES	
			55	90	T4				E,F,G	YES	YES	YES	YES	YES	
			65	90	T3C				E,F,G	YES	YES	YES	YES	YES	
EMS100	HPS S-54	100	40	75	T3B	161	T3B	161	E,F,G	YES	YES	NO	YES	YES	
			55		N/A										
			65		N/A										
EMS150	HPS S-55	150	40	75	T3A	180	T3B	180	E,F	NO	YES	NO	YES	YES	
			55	90	T3		T3A		E,F	NO	YES	NO	YES	YES	
			65		N/A										
EMH05	MH M-110	50	40	75	T4	121	T4	121	E,F,G	YES	YES	YES	YES	YES	
			55	90	T3C		T3A		E,F	NO	YES	YES	YES	YES	
			65	110	T3B		T3A		E,F,G	NO	YES	YES	YES	YES	
EMH07	MH M-98	70	40	75	T4	121	T4	121	E,F,G	YES	YES	YES	YES	YES	
			55	90	T3C		T3C		E,F,G	YES	YES	YES	YES	YES	
			65	110	T3B		T3C		E,F,G	YES	YES	YES	YES	YES	
EMH100	MH M-90	100	40	75	T3C	153	T3C	153	E,F,G	YES	YES	NO	YES	YES	
			55	90	T3A				NO	YES	YES	NO	YES	YES	
			65		N/A										

① Do not install where marked operating temperature exceeds ignition temperature of hazardous atmosphere.

② Fixtures rated for simultaneous presence as shown in Class II table (unless marked with N/A).

③ For UL-Marine and UL/CSA Type 4 listing add suffix "ML" to "EMI" Series fixture catalog number; standard on "EMS" and "EMH" series. Not available on "EQF" series.



## MOGUL BASE HID FIXTURES



Class I, Div. 1 & 2 Groups C,D  
 Class I, Zone 1 & 2, Groups IIB,IIA  
 Class I, Zone 1, AEx d IIB  
 Class II, Div. 1 & 2, Groups E,F,G  
 Class III, Div. 1 & 2  
 Suitable for wet locations  
 Marine Rated (US Only)  
 NEMA 3, 4, 4X  
 Factory Sealed

**UL LISTED** - File E10514 and E91793

**SP Certified** - File LR11713

### FEATURES-SPECIFICATIONS

#### HOSTILELITE®

HOSTILELITE® EZ fixtures are now available with Pulse Start Metal Halide ballasts. Pulse Start systems provide higher and better maintained light output with longer life compared standard metal halide systems. Pulse start and standard Metal Halide lamps and ballasts are not interchangeable.

#### Applications

HOSTILELITE® EZ Series mogul base fixtures are designed for installations where moisture, dirt, dust, corrosion and vibration may be present, or NEMA 3 and 4x areas where wind, water, snow or high ambients can be expected. They can be used in locations made hazardous due to the presence of flammable or explosive gases, vapors and combustible dusts as defined by the NEC.

Typical applications include classified areas such as paint manufacturing plants, ammunition facilities, oil and gas producing and refining plants, off-shore and dockside installations, tank farms, pipeline pumping stations and marine loading and fuel transfer terminals.

#### Features

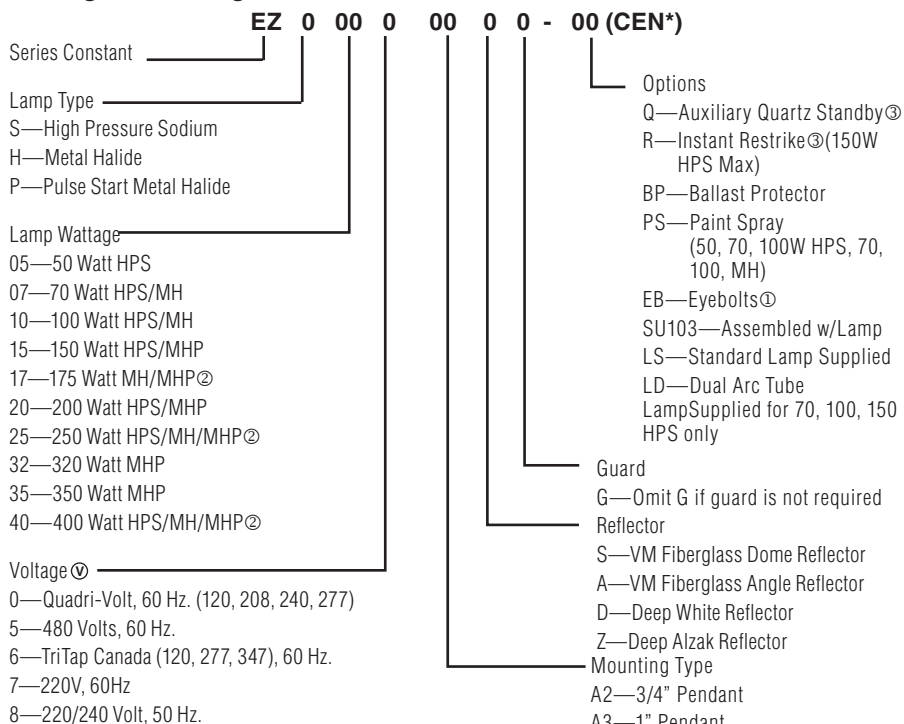
- Three light sources – High Pressure Sodium (50-400W), Metal Halide (70-400W) and Pulse Start Metal Halide (175-400W)
- HOSTILELITE® EZ fixtures are now available with Pulse Start Metal Halide ballasts
- Mounting choice –Pendant, ceiling, 25" stanchion or 90° wall mount, all with "wireless" design that allows fast, easy fixture installation or removal for maintenance. See pages L181-182 for trunnion mounted fixtures
- Factory sealed – No external seal needed. Simply wire mounting cap and thread on fixture to install

- Corrosion resistant – Copper-free aluminum die cast construction. Baked powder epoxy finish, electrostatically applied. Exposed hardware is 316 grade stainless steel
- Accessories – Available with or without guard, standard dome or angle reflector
- Options – EZ Series fixtures can be specified with instant restart for HPS lamps, auxiliary quartz circuit, ballast protector, and fuse kits. (See page L156 for details)

#### Compliances

- UL-844 Electric Lighting Fixtures for use in Hazardous Locations
- UL Marine Type Electric Lighting Fixtures
- UL-1598 Standard for HID Lighting Fixtures
- CSA C22.2 no. 137-M1981 Electric Luminaires for use in Hazardous Locations
- CSA C22.2 no. 94-1976 Special purpose enclosure
- NEMA 3, 4, 4x, 7CD, 9EFG

#### Catalog Number Logic



\*CEN (CENELEC) Approved option available on some models. See page L160 for more information.  
 Ⓞ Two eyebolts plus 12" of connecting chain included.  
 Ⓞ 175, 250 and 400W MH EXPORT ONLY (EISA LAW).  
 Ⓞ Not for use with DUAL-ARC-TUBE Lamps.  
 Ⓞ Consult factory for available lamp and voltage combinations.





# LIGHTING

## HIGH PRESSURE SODIUM 50-400W MOGUL BASE HID

Class I, Div. 1 & 2 Groups C,D  
 Class I, Zone 1 & 2, Groups IIB,IIA  
 Class I, Zone 1, AEx d IIB  
 Class II, Div. 1 & 2, Groups E,F,G  
 Class III, Div. 1 & 2  
 Suitable for wet locations  
 Marine Rated (US Only)  
 NEMA 3, 4, 4X  
 Factory Sealed

LISTED - File E10514 and E91793 (Marine)

Certified - File LR11713

### FEATURES-SPECIFICATIONS



Pendant



Ceiling



Wall



Stanchion

EZ 50- 400 WATT, HIGH PRESSURE SODIUM ①④						
WATTS	ANSI LAMP	VOLTAGE @ 60HZ	CATALOG NUMBER			
			PENDANT 3/4" ②	CEILING 3/4" ②	WALL 3/4" ②	STANCHION 1-1/4" ③
50	S-68	120, 208, 240, 277	EZS050A2G	EZS050X2G	EZS050B2G	EZS050D4G
		120, 277, 347	—	—	—	—
		480	—	—	—	—
70	S-62	120, 208, 240, 277	EZS070A2G	EZS070X2G	EZS070B2G	EZS070D4G
		120, 277, 347	EZS076A2G	EZS076X2G	EZS076B2G	EZS076D4G
		480	EZS075A2G	EZS075X2G	EZS075B2G	EZS075D4G
100	S-54	120, 208, 240, 277	EZS100A2G	EZS100X2G	EZS100B2G	EZS100D4G
		120, 277, 347	EZS106A2G	EZS106X2G	EZS106B2G	EZS106D4G
		480	EZS105A2G	EZS105X2G	EZS105B2G	EZS105D4G
150	S-55	120, 208, 240, 277	EZS150A2G	EZS150X2G	EZS150B2G	EZS150D4G
		120, 277, 347	EZS156A2G	EZS156X2G	EZS156B2G	EZS156D4G
		480	EZS155A2G	EZS155X2G	EZS155B2G	EZS155D4G
250	S-50	120, 208, 240, 277	EZS250A2G	EZS250X2G	EZS250B2G	EZS250D4G
		120, 277, 347	EZS256A2G	EZS256X2G	EZS256B2G	EZS256D4G
		480	EZS255A2G	EZS255X2G	EZS255B2G	EZS255D4G
400	S-51	120, 208, 240, 277	EZS400A2G	EZS400X2G	EZS400B2G	EZS400D4G
		120, 277, 347	EZS406A2G	EZS406X2G	EZS406B2G	EZS406D4G
		480	EZS405A2G	EZS405X2G	EZS405B2G	EZS405D4G

① See Hazardous Location Application Data on pages L160 - L161 for specific suitabilityes.  
 ② For 1 inch pendant, ceiling and wall hubs, substitute "3" for "2" in catalog number; example: **EZS070A3G**.  
 ③ Stanchion conduit hub size supplied is 1-1/2" with 1-1/2" to 1-1/4" reducer for 1-1/4" mounting. (Refer to catalog logic).  
 ④ Luminaire catalog numbers include guards. To order luminaire without guard, omit last letter "G" from catalog number.

NOTE: Reflectors must be ordered separately (see page L157).  
 All luminaires are designed for mounting with lamp in base up position.



## METAL HALIDE 70-400W MOGUL BASE HID

Class I, Div. 1 & 2 Groups C,D  
 Class I, Zone 1 & 2, Groups IIB,IIA  
 Class I, Zone 1, AEx d IIB  
 Class II, Div. 1 & 2, Groups E,F,G  
 Class III, Div. 1 & 2  
 Suitable for wet locations  
 Marine  
 NEMA 3, 4, 4X  
 Factory Sealed

LISTED - File E10514 and E91793 (Marine)

Certified - File LR11713

### ORDERING INFORMATION



Pendant



Ceiling



Wall



Stanchion

EZ 70 - 400 WATT, METAL HALIDE ①④⑥						
WATTS	ANSI LAMP	VOLTAGE @ 60HZ	CATALOG NUMBER			
			PENDANT 3/4" ②	CEILING 3/4" ②	WALL 3/4" ②	STANCHION 1-1/4" ③
70 ⑥	M-98	120, 208, 240, 277	EZH070A2G	EZH070X2G	EZH070B2G	EZH070D4G
		120, 277,347	EZH076A2G	EZH076X2G	EZH076B2G	EZH076D4G
		480	EZH075A2G	EZH075X2G	EZH075B2G	EZH075D4G
100 ⑥	M-90	120, 208, 240, 277	EZH100A2G	EZH100X2G	EZH100B2G	EZH100D4G
		120, 277,347	EZH106A2G	EZH106X2G	EZH106B2G	EZH106D4G
		480	EZH105A2G	EZH105X2G	EZH105B2G	EZH105D4G
175 ⑥	M-575 n	120, 208, 240, 277	EZH170A2G	EZH170X2G	EZH170B2G	EZH170D4G
		120, 277,347	EZH176A2G	EZH176X2G	EZH176B2G	EZH176D4G
		480	EZH175A2G	EZH175X2G	EZH175B2G	EZH175D4G
250 ⑥	M-58	120, 208, 240, 277	EZH250A2G	EZH250X2G	EZH250B2G	EZH250D4G
		120, 277,347	EZH256A2G	EZH256X2G	EZH256B2G	EZH256D4G
		480	EZH255A2G	EZH255X2G	EZH255B2G	EZH255D4G
400 ⑥	M-59	120, 208, 240, 277	EZH400A2G	EZH400X2G	EZH400B2G	EZH400D4G
		120, 277,347	EZH406A2G	EZH406X2G	EZH406B2G	EZH406D4G
		480	EZH405A2G	EZH405X2G	EZH405B2G	EZH405D4G

① See Hazardous Location Application Data on pages L160 - L161 for specific suitability.  
 ② For 1 inch pendant, ceiling and wall hubs, substitute "3" for "2" in catalog number; example: **EZH070A3G**.  
 ③ Stanchion conduit hub size supplied is 1-1/2" with 1-1/2" to 1-1/4" reducer for 1-1/4" mounting. (Refer to catalog logic).  
 ④ Luminaire catalog numbers include guards. To order luminaire without guard, omit last letter "G" from catalog number.  
 ⑤ Will also operate 150W M107 Metal Halide Lamps.  
 ⑥ 175, 250, 400W MH EXPORT ONLY (EISA LAW).  
 NOTE: Reflectors must be ordered separately (see page L157).  
 All luminaires are designed for mounting with lamp in base up position.



# LIGHTING

## PULSE START METAL HALIDE 150-400W MOGUL BASE HID

Class I, Div. 1 & 2 Groups C,D  
 Class I, Zone 1 & 2, Groups IIB,IIA  
 Class I, Zone 1, AEx d IIB  
 Class II, Div. 1 & 2, Groups E,F,G  
 Class III, Div. 1 & 2  
 Suitable for wet locations  
 Marine  
 NEMA 3, 4, 4X  
 Factory Sealed

LISTED - File E10514 and E91793 (Marine)

Certified - File LR11713

### ORDERING INFORMATION



Pendant



Ceiling



Wall



Stanchion

EZ 150 - 400 WATT, PULSE START METAL HALIDE ①④⑥						
WATTS	ANSI LAMP	VOLTAGE @ 60HZ	CATALOG NUMBER			
			PENDANT 3/4" ②	CEILING 3/4" ②	WALL 3/4" ②	STANCHION 1-1/4" ③
150	M-102 M-142	120, 208, 240, 277	EZP150A2G	EZP150X2G	EZP150B2G	EZP150D4G
		120,277,347	EZP156A2G	EZP156X2G	EZP156B2G	EZP156D4G
		480	EZP155A2G	EZP155X2G	EZP155B2G	EZP155D4G
175	M-137	120, 208, 240, 277	EZP170A2G	EZP170X2G	EZP170B2G	EZP170D4G
		120,277,347	EZP176A2G	EZP176X2G	EZP176B2G	EZP176D4G
		480	EZP175A2G	EZP175X2G	EZP175B2G	EZP175D4G
250	M-138	120, 208, 240, 277	EZP250A2G	EZP250X2G	EZP250B2G	EZP250D4G
		120,277,347	EZP256A2G	EZP256X2G	EZP256B2G	EZP256D4G
		480	EZP255A2G	EZP255X2G	EZP255B2G	EZP255D4G
320	M-132	120, 208, 240, 277	EZP320A2G	EZP320X2G	EZP320B2G	EZP320D4G
		120,277,347	EZP326A2G	EZP326X2G	EZP326B2G	EZP326D4G
		480	EZP325A2G	EZP325X2G	EZP325B2G	EZP325D4G
350	M-131	120, 208, 240, 277	EZP350A2G	EZP350X2G	EZP350B2G	EZP350D4G
		120,277,347	EZP356A2G	EZP356X2G	EZP356B2G	EZP356D4G
		480	EZP355A2G	EZP355X2G	EZP355B2G	EZP355D4G
400	M-135	120, 208, 240, 277	EZP400A2G	EZP400X2G	EZP400B2G	EZP400D4G
		120,277,347	EZP406A2G	EZP406X2G	EZP406B2G	EZP406D4G
		480	EZP405A2G	EZP405X2G	EZP405B2G	EZP405D4G

① See Hazardous Location Application Data on pages L160 - L161 for specific suitabilityes.  
 ② For 1 inch pendant, ceiling and wall hubs, substitute "3" for "2" in catalog number; example: **EZP170A3G**.  
 ③ Stanchion conduit hub size supplied is 1-1/2" with 1-1/2" to 1-1/4" reducer for 1-1/4" mounting. (Refer to catalog logic).  
 ④ Luminaire catalog numbers include guards. To order luminaire without guard, omit last letter "G" from catalog number.

NOTE: Reflectors must be ordered separately (see page L157).  
 All luminaires are designed for mounting with lamp in base up position.



COMPONENT PARTS/ACCESSORIES/OPTIONS • HID FIXTURES

**Mounting Boxes**



Pendant



Ceiling



EAC<sup>①</sup>



Wall Bracket



25° Stanchion



HIC-BEIGE replacement wiring plug for EZBx Wall Bracket



Ezcup Close up plug for EZ mounting boxes. Used for maintenance when fixture is removed for service.



Replacement Globe & Support Assemblies

**REPLACEMENT GLOBE & GLOBE SUPPORT ASSEMBLY**

SERIES	LAMP TYPE	WATTAGE	CATALOG NUMBER
EZS	HPS	50-150	EZGS1
EZH	MH	70-250	
EZP	MHP	150, 175, 250	
EZS	HPS	250, 400	EZGS2
EZH	MH	400	
EZP	MHP	320-400	

MOUNTING BOXES				
HUB SIZE	CATALOG NUMBER			
	PENDANT	CEILING	BRACKET	STANCHION
3/4"	EZA2	EZX2**	EZB2	—
1"	EZA3	EZX3	EZB3	—
1-1/4" / 1-1/2"	—	—	—	EZD4*

\* Supplied as 1-1/2" NPT with 1-1/2" x 1-1/4" reducer  
 \*\* 25 cu. in. below EZTB tangs.

**EZ OPTIONS**

**Instant Restart Option**

Factory installed special ignitor provides hot lamp instant restart of HPS lamps after power interruption of up to 1 minute. Available for 50, 70, 100 and 150 watt HPS lamps only. Add suffix "R" to fixture catalog number (50/60 Hz).


**Quartz Emergency Lamp**

Factory installed special auxiliary quartz relay and D.C. bayonet base socket installed to accept 100 watt, 120 volt quartz (100Q/DC) lamps only. Lamps not supplied. Refer to Hazardous Location Application Data chart to verify suitability. Add suffix "Q" to fixture catalog number.

**Ballast Protection Cutout**

Optional factory installed special ballast protector replaces the standard HPS ignitor and applies starting pulse to the lamp for 10 to 15 seconds each time voltage is supplied to the ballast. If the lamp has not ignited by the end of the time period, the starter will cease pulsing. Used to eliminate the continuous high voltage pulsing of the ignitor when end of life, lamp cycling, or missing lamp conditions exist. Available for 70, 100, 150, 250 and 400 watt HPS fixtures. Add suffix "BP" to fixture catalog number.

Notes: BP & R cannot be used together.  
 Q & R cannot be used together.



**FACTORY SEALED**  
 Class I, DIV. 1 BCD  
 Class II, DIV. 1&2 EFG  
 CLASS III  
 NEMA 3, 4X IP66  
 \*40°C ambient T3 Rated

**PHOTO CELL FIELD KITS WITH HKB - GL BOX AND COVER**

VMHKPC1	120VAC
VMHKPC2	208-277VAC
VMHKPC3	347VAC



# LIGHTING

## COMPONENT PARTS/ACCESSORIES

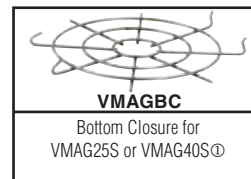


EZG1



VMAG40S

GUARDS				
CATALOG NUMBER	SERIES	LAMP TYPE	WATTAGE	DESCRIPTION
EZG1	EZS	HPS	50-150	Painted cast aluminum
	EZH	MH	70-250	
	EZP	MHP	150, 175, 250	
VMAG40S	EZH	MH	400	Cadmium plated steel
	EZP	MHP	320-400	



<sup>Ⓞ</sup> For VMAG40S with bottom closure order part number VMAG40SBC.



VMPD40



EZTB



VMPA40



HRD400  
HRD400ALZ (pictured)



EZCB



EZMO

REFLECTORS	
CATALOG NUMBER	DESCRIPTION
VMPD40	Standard dome. fiberglass reinforced polyester
VMPA40	30° Angle fiberglass reinforced polyester
HRD400	Deep dome. Aluminum with white finish <sup>Ⓜ</sup>
HRD400ALZ	Deep dome with specular anodized finish <sup>Ⓜ</sup>

REPLACEMENT CONNECTION BLOCKS AND LAMP SOCKET	
CATALOG NUMBER	DESCRIPTION
EZTB	Female (goes in splice box)
EZCB	Male (goes in top of fixture body)
EZMO	Replacement lamp socket with gasket

<sup>Ⓜ</sup> For clearance, wall mount models require standoff of 1/2" if not bottom feed; 1-1/2" if bottom feed.



## BALLAST HOUSING WITH GLOBE SUPPORT ASSEMBLY



Housing Globe & Globe Support Assemblies

### FEATURES-SPECIFICATIONS

HPS HOUSING GLOBE & GLOBE SUPPORT ASSEMBLIES <sup>①</sup>			
WATTS	ANSI LAMP TYPE	VOLTAGE	CATALOG NUMBER
50	S-68/HPS	120, 208, 240, 277/60Hz	<b>EZS050</b>
		220, 240V/50Hz	<b>EZS058</b>
70	S-62/HPS	120, 208, 240, 277/60Hz	<b>EZS070</b>
		480 60Hz	<b>EZS075</b>
		120, 277, 347/60Hz	<b>EZS076</b>
		220, 240V/50Hz	<b>EZS078</b>
100	S-54/HPS	120, 208, 240, 277/60Hz	<b>EZS100</b>
		480 60Hz	<b>EZS105</b>
		120, 277, 347/60Hz	<b>EZS106</b>
		220, 240V/50Hz	<b>EZS108</b>
150	S-55/HPS	120, 208, 240, 277/60Hz	<b>EZS150</b>
		480 60Hz	<b>EZS155</b>
		120, 277, 347/60Hz	<b>EZS156</b>
		220, 240V/50Hz	<b>EZS158</b>
250	S-50/HPS	120, 208, 240, 277/60Hz	<b>EZS250</b>
		480 60Hz	<b>EZS255</b>
		120, 277, 347/60Hz	<b>EZS256</b>
		220, 240V/50Hz	<b>EZS258</b>
400	S-51/HPS	120, 208, 240, 277/60Hz	<b>EZS400</b>
		480 60Hz	<b>EZS405</b>
		120, 277, 347/60Hz	<b>EZS406</b>
		220, 240V/50Hz	<b>EZS408</b>

<sup>①</sup> HPS and MH assemblies may be ordered with the CEN (CENELEC) suffix; see page L160 for more information.

METAL HALIDE HOUSING GLOBE & GLOBE SUPPORT ASSEMBLIES <sup>①</sup>			
WATTS	ANSI LAMP TYPE	VOLTAGE	CATALOG NUMBER
70	M-98/MH	120, 208, 240, 277/60Hz	<b>EZH070</b>
		120, 277, 347V/60Hz	<b>EZH076</b>
		480 60Hz	<b>EZH075</b>
		220/240V/50Hz	<b>EZH078</b>
100	M-90/MH	120, 208, 240, 277/60Hz	<b>EZH100</b>
		120, 347V/60Hz	<b>EZH106</b>
		120, 220, 240V/50Hz	<b>EZH108</b>
		480 60Hz	<b>EZH105</b>
175	M-57/MH	120, 208, 240, 277/60Hz	<b>EZH170</b>
		480 60Hz	<b>EZH175</b>
		120, 277, 347V/60Hz	<b>EZH176</b>
		220, 240V/50Hz	<b>EZH178</b>
250	M-58/MH	120, 208, 240, 277/60Hz	<b>EZH250</b>
		480 60Hz	<b>EZH255</b>
		120, 277, 347V/60Hz	<b>EZH256</b>
		220, 240V/50Hz	<b>EZH258</b>
400	M-59/MH	120, 208, 240, 277/60Hz	<b>EZH400</b>
		480 60Hz	<b>EZH405</b>
		120, 277, 347V/60Hz	<b>EZH406</b>
		220, 240V/50Hz	<b>EZH408</b>

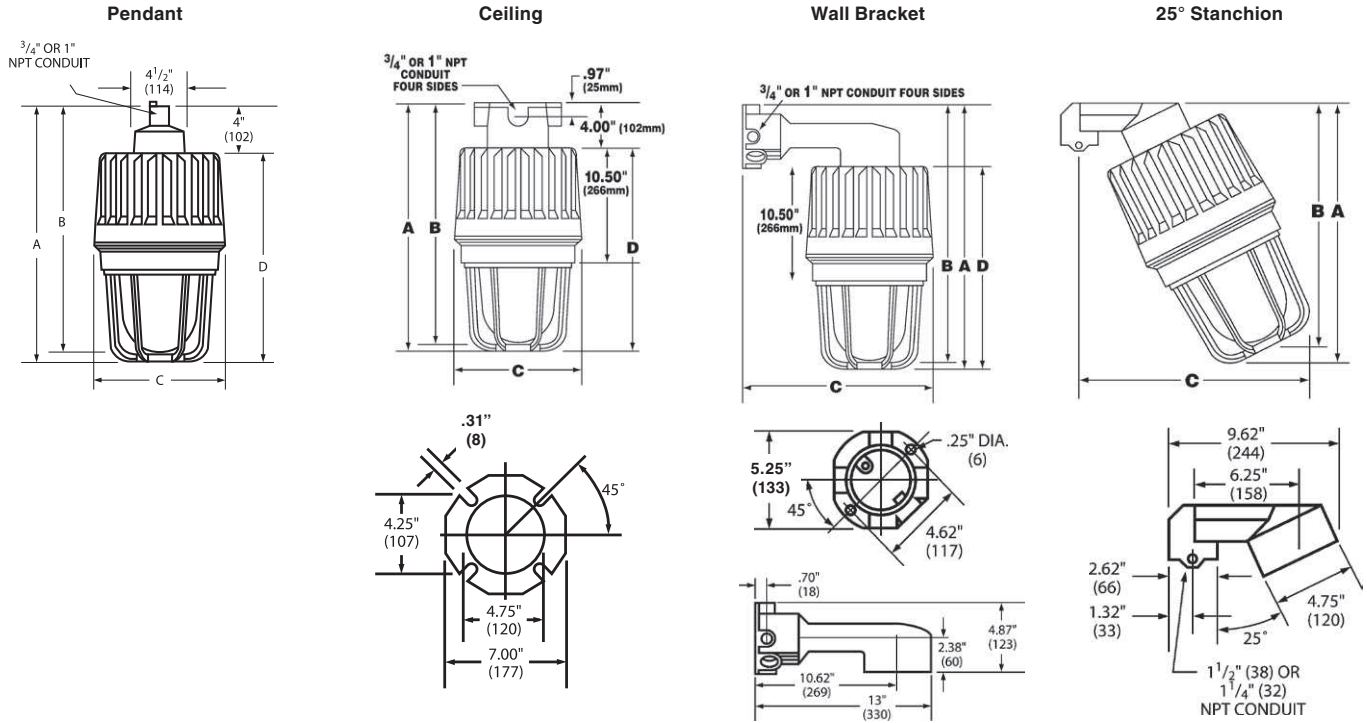
PULSE START HOUSING GLOBE & GLOBE SUPPORT ASSEMBLIES			
WATTS	ANSI LAMP TYPE	VOLTAGE	CATALOG NUMBER
175 <sup>②</sup>	M137/MHP	120, 208, 240, 277/60Hz	<b>EZP170</b>
		480	<b>EZP175</b>
		120, 277, 347V/60Hz	<b>EZP176</b>
250	M138/MHP	120, 208, 240, 277/60Hz	<b>EZP250</b>
		480	<b>EZP255</b>
		120, 277, 347V/60Hz	<b>EZP256</b>
		220, 240V/50Hz	<b>EZP258</b>
320	M132/MHP	120, 208, 240, 277/60Hz	<b>EZP320</b>
		480	<b>EZP325</b>
		120, 277, 347V/60Hz	<b>EZP326</b>
		220, 240V/50Hz	<b>EZP328</b>
350	M131/MHP	120, 208, 240, 277/60Hz	<b>EZP350</b>
		480	<b>EZP355</b>
		120, 277, 347V/60Hz	<b>EZP356</b>
		220, 240V/50Hz	<b>EZP358</b>
400	M135/MHP	120, 208, 240, 277/60Hz	<b>EZP400</b>
		480	<b>EZP405</b>
		120, 277, 347V/60Hz	<b>EZP406</b>
		220, 240V/50Hz	<b>EZP408</b>

<sup>②</sup> For 150 Watt, change "7" to "5" in catalog number. Example EZP150.

NOTE: See pages L141 - L142 for ballast data & fuse kit information.



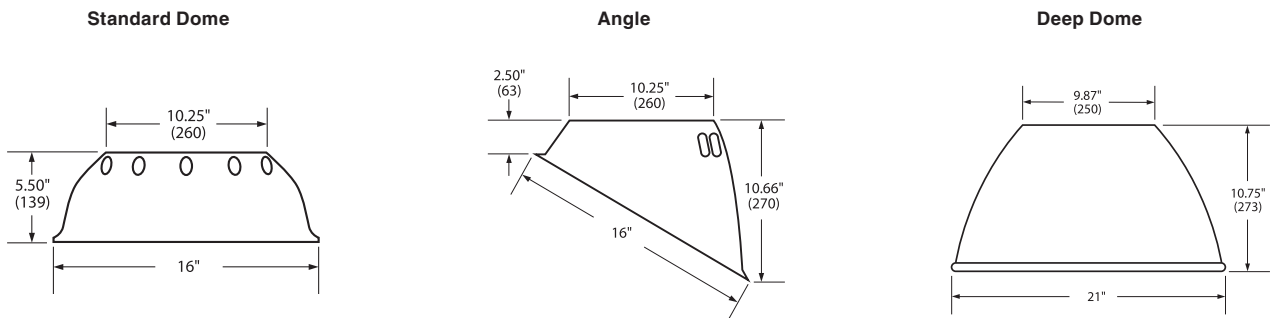
DIMENSIONS



MOUNTING DIMENSIONS															
	PENDANT				CEILING				BRACKET				STANCHION		
	A	B	C	D	A	B	C	D	A	B	C	D	A	B	C
50-250W* EZL LED	22" (558)	21-1/4" (539)	11-1/4" (285)	18" (457)	22" (558)	21-1/4" (539)	11-1/4" (285)	18" (457)	22-7/8" (580)	22-1/8" (561)	16-3/4" (425)	18" (457)	24-7/8" (631)	24" (609)	19-13/16" (503)
250-400W**	26-1/4" (666)	24-1/4" (615)	11-1/4" (285)	22-1/4" (565)	26-1/4" (666)	24-1/4" (615)	11-1/4" (285)	22-1/4" (565)	26-7/8" (682)	24-7/8" (631)	16-3/4" (425)	22-1/4" (565)	28-1/2" (724)	26-11/16" (678)	21-1/2" (546)

\* 50, 70, 100, and 150W HPS; 70, 100, 175 and 250W MH; 150, 175, 250W MHP.  
 \*\* 250 and 400W HPS, 400W MH; 320, 350, 400W MHP.

Reflector Dimensions





## CLASS I APPLICATION DATA FOR HAZARDOUS LOCATIONS



### CEN Options

### Applications

Killark EZ series fixtures are available with a European "Certificate of Conformity" from PTB (Physikalisch-Technische Bundesanstalt), the approval agency based in Germany. Fixtures with this rating will be useful for Original Equipment Manufacturers and others who build and ship apparatus into European markets.

This approval is granted by PTB with the use of a special ground lug and label. Fixtures carrying an EEx d IIB approval are automatically granted an IP54 (ingress protection) rating. See Temperature Code chart below for PTB certified ratings. Killark EZ fixtures with the PTB rating and labels still carry all UL & CSA ratings.

Fixture housing/globe/globe support assemblies (e.g. EMS050 CEN) may be ordered with the CEN suffix. Complete fixture numbers, with the CEN suffix, will be shipped with the mounting boxes, guards and accessories as component parts. Reflectors and other accessory parts, as listed on page L157, may be used. Killark fixtures are NPT tapped and plugged with at least one conduit hole open.

### Compliances

- EN 50014:1992
- EN 50018:1994

EEx d IIB T6 (or T5-T2)  
PTB No. Ex-98.E.1076

EZ HAZARDOUS LOCATION DATA—CLASS I, DIVISIONS 1 & 2 ①②④							
LAMP			RATED AMBIENT °C	SUPPLY WIRE SUITABLE FOR °C MIN.	CLASS I, DIVISIONS 1 & 2 MAXIMUM SURFACE TEMPERATURE UL/CSA		
SERIES	TYPE	WATTS			TEMP. I.D. W/O QTZ.	TEMP. I.D. W/QTZ. L	UL/CSA GROUPS
EZH	HPS	50	40	85	T5	T4	C,D
			55	85	T5	N/A	C,D
			65	85	T4A	N/A	C,D
		70	40	85	T5	T4	C,D
			55	85	T5	N/A	C,D
			65	85	T4A	N/A	C,D
		100	40	85	T5	T4	C,D
			55	85	T5	N/A	C,D
			65	85	T4A	N/A	C,D
		150	40	85	T4A	T4	C,D
			55	85	T4A	N/A	C,D
			65	85	T4	N/A	C,D
250	40	85	T3C	T3C	C,D		
	55	85	T3C	N/A	C,D		
	40	85	T3C	T3C	C,D		
EZH	MH	70	40	85	T4A	N/A	C,D
			55	85	T4A	N/A	C,D
			65	85	T4A	N/A	C,D
		100	40	85	T4A	N/A	C,D
			55	85	T4A	N/A	C,D
			65	85	T4A	N/A	C,D
		175	40	85	T4	T3C	C,D
			55	85	T4	N/A	C,D
			40	85	T3C	T3C	C,D
		250	40	85	T3C	N/A	C,D
			55	85	T3C	N/A	C,D
			40	85	T3A	T3A	C,D
EZH	MHP	150 or 175	40	85	T4	T3C	C,D
			55	85	T4	N/A	C,D
		250	40	85	T3C	T3C	C,D
			55	25	T3C	N/A	C,D
		320	40	85	T3A	T3A	C,D
		350	40	85	T3A	T3A	C,D
		400	40	85	T3A	T3A	C,D

Notes for Class I, II, III Application Data Tables.

① Instant restrike limited to 55°C ambient maximum.

\* ② Temperature code ID marked with an asterisk on Class II table are listed for simultaneous use in Class I, Groups C, D, and Class II, Groups E, F, G or Groups E, F.

③ Fixtures marked "N/A" not suitable for Class II applications when supplied with auxiliary quartz.

④ See Class II table for fixtures suitable for locations having deposits of readily combustible paint residue (paint spray booths).

Do not install where marked operating temperature exceeds ignition temperature of hazardous atmosphere.

MAXIMUM AMBIENT TEMPERATURE RANGE - 20° C TO 40° C				
TYPE OF LUMINAIRE	TYPE OF ENCLOSURE	FORM OF THE LAMP	MAXIMUM WATTAGE	TEMPERATURE CLASS
EZH50	EZx25	ED28/M-110	50W	T4
EZH70	EZx25	ED28/M-98	70W	T4
EZH10	EZx25	ED28/M-90	100W	T4
EZH15	EZx25	ED28/M-102	150W	T4
EZH17	EZx25	ED28/M-57	175W	T4
EZH25	EZx25	ED28/M-58	250W	T3
EZH40	EZx40	ED37/M-59	400W	T3
EZS50	EZx25	ED23-1/2/S-68	50W	T4
EZS70	EZx25	ED23-1/2/S-62	70W	T4
EZS10	EZx25	ED23-1/2/S-54	100W	T4
EZS15	EZx25	ED23-1/2/S-55	150W	T4
EZS25	EZx40	ED18/S-50	250W	T3
EZS40	EZx40	ED18/S-51	400W	T3





CLASS II/III APPLICATION DATA FOR HAZARDOUS LOCATIONS

EZ HAZARDOUS LOCATION DATA- CLASS II & III , DIVISIONS 1 & 2 ①②														
LAMP			RATED AMBIENT °C	SUPPLY WIRE SUITABLE FOR C°	CLASS II, DIV. 1 & 2, MAX. SURFACE TEMP. UL/CSA SUITABILITY				CLASS III, DIV. 1 & 2 UL/CSA SUITABILITY		UL-595 MARINE	U.L. PAINT SPRAY SUITABILITY③	UL/CSA TYPE 3 (RAINTIGHT)	UL/CSA TYPE 4 (HOSEDOWN)
LAMP					TEMP. I.D. W/O QTZ.	TEMP. I.D. WITH QTZ③	GROUPS		W/O QTZ. WITH QTZ. ③					
							W/O QTZ.	WITH QTZL	W/O QTZ.	WITH QTZ. ③				
EZS	HPS	50	40	85	T3C*	T3B*	E,F	E,F,G	YES	YES	YES	YES	YES	YES
			85	85	T3C*	N/A	E,F	N/A	YES	NO	YES	NO	YES	YES
			55	85	T3B*	N/A	E,F,G	N/A	YES	NO	YES	NO	YES	YES
EZS	HPS	70	85	T3C*	T3B*	E,F,G	E,F,G	YES	NO	YES	YES	YES	YES	YES
			55	85	T3C*	N/A	E,F	N/A	YES	NO	YES	NO	YES	YES
			65	85	T3B*	N/A	E,F,G	N/A	YES	YES	YES	NO	YES	YES
EZS	HPS	100	40	85	T3C*	T3B*	E,F,G	E,F,G	YES	NO	YES	YES	YES	YES
			55	85	T3C*	N/A	E,F,G	N/A	YES	NO	YES	NO	YES	YES
			65	85	T3B	N/A	E,F,G	N/A	YES	YES	YES	NO	YES	YES
EZS	HPS	150	40	85	T3C*	T3B*	E,F,G	E,F,G	YES	YES	YES	NO	YES	YES
			55	85	T3C*	N/A	E,F	N/A	YES	YES	YES	NO	YES	YES
			65	85	T3B*	N/A	E,F,G	N/A	YES	YES	YES	NO	YES	YES
EZS	HPS	250	40	85	T3	T3	E,F	E,F	NO	NO	YES	NO	YES	YES
EZS	HPS	400	40	85	N/A	N/A	N/A	N/A	NO	NO	YES	NO	YES	YES
EZH	MH	70	40	85	T4A	N/A	E,F	N/A	YES	NO	YES	YES	YES	YES
			55	85	T4	N/A	E,F,G	N/A	YES	NO	YES	NO	YES	YES
			65	85	T3C	N/A	E,F	N/A	YES	NO	YES	NO	YES	YES
EZH	MH	100	40	85	T4A	N/A	E,F,G	N/A	YES	NO	YES	YES	YES	YES
			55	85	T4	N/A	E,F,G	N/A	YES	NO	YES	NO	YES	YES
			65	85	T3C	N/A	E,F,G	N/A	YES	NO	YES	NO	YES	YES
EZH	MH	175	40	85	T3C*	T3A*	E,F,G	N/A	YES	NO	YES	NO	YES	YES
			55	85	T3C*	N/A	E,F,G	N/A	YES	NO	YES	NO	YES	YES
EZH	MH	250	40	85	N/A	N/A	N/A	N/A	NO	NO	YES	NO	YES	YES
EZH	MH	400	40	85	N/A	N/A	N/A	N/A	NO	NO	YES	NO	YES	YES
EZP	MHP	150 or 175	40	85	T3C*	T3A*	E,F,G	EF	YES	NO	YES	NO	YES	YES
			55	85	T3C*	N/A	E,F,G	N/A	YES	NO	YES	NO	YES	YES
EZP	MHP	250	40	85	N/A	N/A	N/A	N/A	NO	NO	YES	NO	YES	YES
EZP	MHP	320,350	40	85	N/A	N/A	N/A	N/A	NO	NO	YES	NO	YES	YES
EZP	MHP	400	40	85	N/A	N/A	N/A	N/A	NO	NO	YES	NO	YES	YES

Notes for Class I, II, III Application Data Tables.

① Instant restrike limited to 55°C ambient maximum.

\* ② Temperature code ID marked with an asterisk on Class II table are listed for simultaneous use in Class I, Groups C, D, and Class II, Groups E, F, G or Groups E, F.

③ Fixtures marked "NO" or "N/A" are not suitable for Class II or II applications when supplied with auxiliary quartz.

④ Suitability for locations having deposits of readily combustible paint residue (paint spray booths).

Do not install where marked operating temperature exceeds ignition temperature of hazardous atmosphere.

TABLE N.E.C . 500 - 5 ( D )

I.D. NUMBER	DEGREES C	DEGREES F
T1	450	842
T2	300	572
T2A	280	536
T2B	260	500
T2C	230	446
T2D	215	419
T3	200	392
T3A	180	356
T3B	165	329
T3C	160	320
T4	135	275
T4A	120	248
T5	100	212
T6	85	185



## FLUORESCENT FIXTURES



**Class I, Div. 2, Groups A,B,C,D**  
**Class I, Zone 2, Groups IIC, IIB, IIA**  
**Class II, Div. 1 & 2, Groups E, F, G**  
**Class III, Div. 1 & 2**  
**Suitable for wet locations**  
**NEMA 3, 4**

Certified - File LR11713

### FEATURES-SPECIFICATIONS

**LINEARLITE®** \*

\* marca registrada MEXICO

#### Applications

LINEARLITE DBF fluorescent fixtures are designed for general and task lighting of areas where flammable gases or vapors or combustible dusts may exist due to abnormal conditions resulting in the creation of a Class I, Division 2 or Class II or III, Div. 1 or 2, hazardous location as defined in the NEC. Also for lighting non-hazardous wet locations indoors and outdoors.

#### Features

- Sheet steel 20 ga. housing with continuous weld prevents foreign matter from entering enclosure
- Lens frame assembly has silicon rubber gasketing and heat tempered glass lens
- Electrostatically applied polyester finish

See page L207 for DBFE Emergency Models.

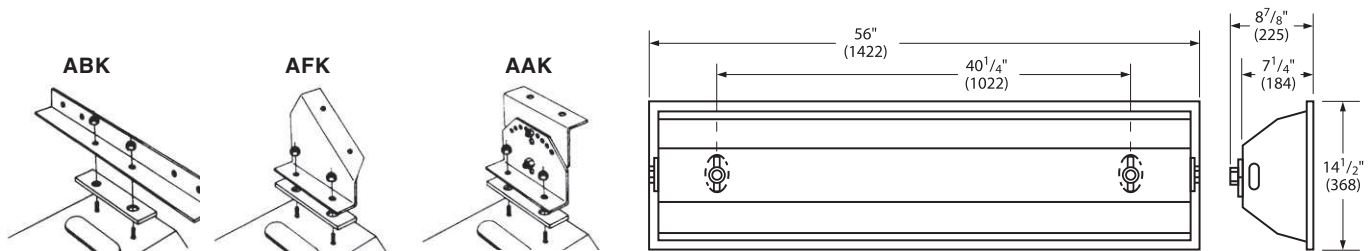
DBF FLUORESCENT FIXTURES				
CATALOG NUMBER	CONDUIT SIZE <sup>ⓐ</sup>	NUMBER OF LAMPS	LINE VOLTAGE	DESCRIPTION
DBF32302	3/4"	2	120-277V 50/60 HZ	32W T8 electronic ballast 265 MA 0°F start
DBF4012 <sup>ⓑ</sup>			120V 60 Hz	40W rapid start electronic F40T12 medium bi-pin 430MA
DBF4042			277V 60 Hz	
DBF6012 <sup>ⓑ</sup>			120V 60 Hz	60W rapid start high output F48T12/HO recessed double contact 800MA
DBF6042			277V 60 Hz	
DBF32303	3/4"	3	120-277V 50/60 HZ	32W T8 electronic ballast 265 MA 0°F start
DBF4013			120V 60 Hz	40W rapid start electronic F40T12 medium bi-pin 430MA
DBF4043			277V 60 Hz	
DBF6013			120V 60 Hz	60W rapid start high output F48T12/HO recessed
DBF6043			277V 60 Hz	

Standard ballast starting temperature for 40 watt is 50°F.  
 Ballasts are Class P Type with internal, automatic, thermally-activated protective device.  
 Optional external ballast fusing availability by adding suffix FB.  
 For other voltages consult factory.  
 60 watt high output ballasts are standard -20°F start.  
 Fixtures are supplied without lamps. To order with lamps installed add suffix WL.  
<sup>ⓐ</sup> UL/CSA Class I, Div. 2  
<sup>ⓑ</sup> Hubs can be relocated in field to fixture end for feed-thru wiring.  
<sup>ⓐ</sup> Change 1 to 8 for 230V 50 Hz.  
<sup>ⓐ</sup> CSA Class II, Div. I

MOUNTING HARDWARE <sup>ⓐ</sup>	
CATALOG NUMBER	DESCRIPTION
ABK	Angle bar chain bracket
AFK	45° fixed angle bracket
AAK	45° adjustable angle bracket
DBF-HUB	Replacement hub
DBF-DL	Door & Lens

<sup>ⓐ</sup> Must be ordered separately. Brackets sold as sets.

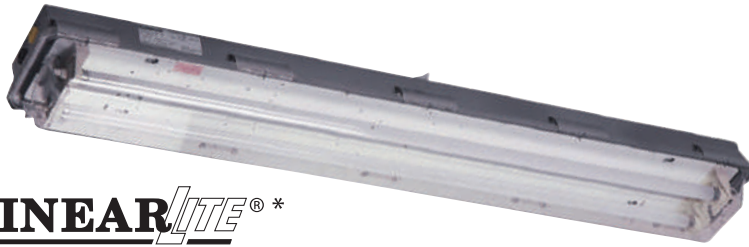
DBF HAZARDOUS LOCATION APPLICATION DATA <sup>ⓐ</sup> <sup>ⓑ</sup>								
NUMBER OF LAMPS	LAMP WATTS	RATED AMBIENT °C	SUPPLY WIRE SUITABLE FOR °C MIN.	CLASS I, DIV. 2, GROUPS A, B, C, D MAX. LAMP TEMP. °C UL/CSA TEMP/I.D.	CLASS II, DIV. 1 & 2 GROUPS E, F, G CLASS MAX. SURFACE DIV TEMP. °C SUITABILITY UL/CSA TEMP/I.D.	CLASS III DIV. 1 & 2 UL/CSA	NEMA TYPE 3 (RAINTIGHT)	NEMA TYPE 4 (HOSEDOWN)
2	32/40	40	90	T6 (85°C/185°F) T6	T6 (85°C/185°F)	YES	YES	YES
3	32/40	40	90	T5 (100°C/212°F) T6	T6 (85°C/185°F)	YES	YES	YES
2	60	40	90	T4A (120°C/248°F) T6	T6 (85°C/185°F)	YES	YES	YES
3	60	40	90	T4 (138°C/275°F) T6	T6 (85°C/185°F)	YES	YES	YES





# LIGHTING

## 316 STAINLESS FLUORESCENT FIXTURES



**Class I, Div. 2, Groups A,B,C,D**  
**Class I, Zone 2, Groups IIC, IIB, IIA**  
**Class II, Div. 1 & 2, Group E,F,G**  
**AEx nAII, Ex nAII**  
**Wet Locations**  
**NEMA 4X**  
**IP66**

 Certified - File LR11713  
**ABS Type Approval**

**LINEARLITE® \***

\* marca registrada MEXICO

### Applications

LINEARLITE® rugged 316 stainless fluorescent fixtures are suitable for wet, harsh, corrosive and hazardous locations. The LZ2S Series can be used in Class I, Division 2 and Zone 2 hazardous vapors and in Class II combustible dust areas typically found in refineries, chemical plants, waste water & sewage treatment facilities, as well as in tunnels, food processing and coastal areas.

ABS (American Bureau of Shipping) type approval for use on decks, vessels, platforms, barges, ships and boats. Also suitable for docks and marinas.

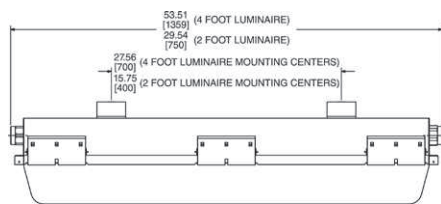
### Features

- NEMA 4X & IP66 rated stainless enclosure with Lexan® impact resistant polycarbonate lens.
- Two 3/4" NPT stainless hubs - one at each end (includes aluminum 3/4" close-up plug and two 3/4" x 1/2" reducers for maximum user flexibility).
- Two 1/4" - 20 stainless bushings furnished in top of fixture for threaded rod.

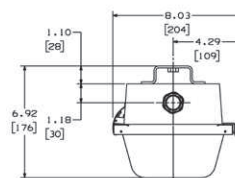
Lexan® is a registered trademark of General Electric

### Additional Data

- L208 - Emergency models
- L165 - Ballast data
- L166 - Mounting accessories/ Replacement parts



See LZ2N Logic for Options



LZ2S STAINLESS			
NUMBER OF LAMPS/WATTS	VOLTAGE AC 60 HZ	DESCRIPTION	LZ2S
<b>BIAXIAL LAMP TYPE FIXTURES</b>			
1-40W	120-277V	2' 1-Lamp Biaxial Electronic 50/60 Hz, 0°F Start 4-Pin	LZ2S40130
1-55W	120-277V	2' 1-Lamp Biaxial Electronic 50/60 Hz, 0°F Start 4-Pin	LZ2S55130
2-40W	120-277V	2' 2-Lamp Biaxial Electronic 50/60 Hz, 0°F Start 4-Pin	LZ2S40230
4-40W	120-277V	4' 4-Lamp Biaxial Electronic 50/60 Hz, 0°F Start 4-Pin	LZ2S40430
<b>DOUBLE - ENDED LAMP TYPE FIXTURES</b>			
2-17W	120-277V	2' 2-Lamp T-8 Electronic 50/60 Hz, 0°F Start Medium Bi-Pin	LZ2S17230
3-17W	120-277V	2' 3-Lamp T-8 Electronic 50/60 Hz, 0°F Start Medium Bi-Pin	LZ2S17330
2-28W	120-277V 50-60 Hz	4' 2-Lamp T-5 Electronic 0°F Start Miniature Bi-Pin	LZ2S28230
3-28W	120-277V 50-60 Hz	4' 3-Lamp T-5 Electronic 0°F Start Miniature Bi-Pin	LZ2S28330
2-32W k	120-277V 347V	4' 2-Lamp T-8 Electronic 50/60 Hz 0°F Start Medium Bi-Pin	LZ2S32230 ② LZ2S32215
3-32W	120-277V 347V	4' 3-Lamp T-8 Electronic 50/60 Hz 0°F Start Medium Bi-Pin	LZ2S32330 LZ2S32315
2-40W	120V 277V 230V 50 Hz④	4' 2-Lamp T-12 Electronic Medium Bi-Pin Start 50°F 40W/60°F 34W	LZ2S40201 LZ2S40204 LZ2S40208
2-44W	120V 277V	4' 2-Lamp T-8 Electronic -20°F Start High Output Recessed Double Contact	LZ2S44230
2-54W 3-54W	120-277V	4' 2-Lamp T5 Electronic 50/60 Hz, -20°F Start Miniature Bi-Pin	LZ2S54230 LZ2S54330
2-60W	120-277V	4' 2-Lamp T-12 Electronic -20°F Start High Output Recessed Double Contact	LZ2S60230

① 50 Hz ballast is magnetic.

② Add suffix 55C for 2X 32W 120V-277V # L32S32230-55C.

LZ2S, LZ2SE HAZARDOUS LOCATION APPLICATION DATA										
NUMBER OF LAMPS/WATTS	RATED AMBIENT °C	SUITABLE FOR °C SUPPLY WIRE	CLASS I, DIV. 2 MAX. SURFACE TEMP.			CLASS II, DIV. 1 & 2 MAX. SURFACE TEMP.			CLASS III DIV. 1 & 2 SUITABILITY	
			TEMP.	T-CODE	GROUPS	TEMP.	T-CODE	GROUPS		
1 X 40W BIAxIAL	40°	75	160°C	T3C	A, B, C, D	100°C	T5	E, F, G	Yes	
1 X 55W BIAxIAL	40°	60	160°C	T3C	A, B, C, D	100°C	T5	E, F, G	Yes	
2 X 40W BIAxIAL	40°	75	160°C	T3C	A, B, C, D	100°C	T5	E, F, G	Yes	
4 X 40W BIAxIAL	40°	75	160°C	T3C	A, B, C, D	100°C	T5	E, F, G	Yes	
2 X 17W	40°	60	85°C	T5	A, B, C, D	100°C	T5	E, F, G	Yes	
3 X 17W	40°	60	85°C	T5	A, B, C, D	100°C	T5	E, F, G	Yes	
2 X 28W	40°	60	120°C	T4A	A, B, C, D	100°C	T5	E, F, G	Yes	
3 X 28W	40°	60	120°C	T4A	A, B, C, D	100°C	T5	E, F, G	Yes	
2 X 32W	40°	60	85°C	T6	A, B, C, D	100°C	T5	E, F, G	Yes	
2 X 32W	55° I	90	100°C	T5	A, B, C, D	N/A	N/A	N/A	N/A	
3 X 32W	40°	60	85°C	T6	A, B, C, D	100°C	T5	E, F, G	Yes	
2 X 40W	40°	60	120°C	T4A	A, B, C, D	100°C	T5	E, F, G	Yes	
2 X 44W	40°	60	120°C	T4A	A, B, C, D	100°C	T5	E, F, G	Yes	
2 X 54W	40°	75	160°C	T3C	A, B, C, D	100°C	T5	E, F, G	Yes	
3 X 54W	35° m	75	165°C	T3B	A, B, C, D	N/A	N/A	N/A	Yes	
2 X 60W	40°	75	135°C	T4	A, B, C, D	100°C	T5	E, F, G	Yes	

③ LZ2SE, 40°C max. battery models.

④ T-code measured at 40°C, ambient max. 30°C.



LZ2N SERIES

# KILLARK

## NON-METALLIC FLUORESCENT FIXTURES



4' Nominal Style



2' Nominal Style

**Class I, Div. 2 Groups A,B,C,D**  
**Class I, Zones 2, Groups IIC,IIB,IIA**  
**Class II, Div. 1 & 2, Groups F,G**  
**AEx nAll, Ex nAll**  
**Wet Locations**  
**NEMA 4X, IP66**

Certified - File LR11713

**NSF Food Handling**  
**ABS Type Approval**

LZ2N/LZ2S luminaires contain no exposed glass and carry Class II, "G" ratings required for many food processing areas.

**FEATURES-SPECIFICATIONS**

**LINEARLITE® \***

\* marca registrada MEXICO

**Applications**

LINEARLITE® rugged Non-Metallic fluorescent fixtures are suitable for wet, harsh and hazardous locations. Use where enclosed and gasketed fixtures are required to withstand exposure to moisture, dust and corrosives. The LZ2N Series can also be used in Class I, Division 2 and Zone 2 hazardous vapors and in Class II areas where combustible dusts may exist. Typical areas used are in refineries, chemical plants, waste water & sewage treatment facilities, as well as in tunnels, food processing and coastal areas.

**ABS** (American Bureau of Shipping) type approval for use on decks, vessels, platforms, barges, ships and boats. Also suitable for docks and marinas.

**NSF** (National Sanitation Foundation) approved for "Food Handling" areas, typically requiring non-glass lighting.

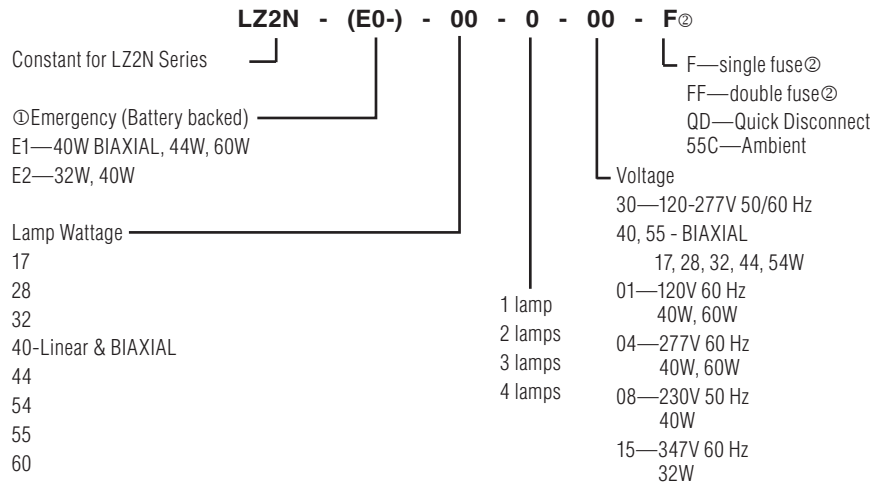
**Features**

- Lexan® Clear Lens, impact resistant polycarbonate
- Housing-one piece fiberglass reinforced polyester, NEMA 4X & IP66 rated.
- Two 3/4" NTP aluminum hubs - one at each end (includes one 3/4" close-up plug and two 3/4" x 1/2" reducers for maximum user flexibility)
- Two 1/4"-20 aluminum bushings furnished in top of fixture for threaded rod
- 2' and 4' luminaires
- Lamp types-  
Linear 17, 28, 32, 40, 44, 54, 60W  
Long compact 40, 55W (single ended)
- Electronic ballast standard
- World voltage (most models) 120 thru 277V, 50/60 Hz

Lexan® is a registered trademark of General Electric

Quick release diffuser clamp and hinged cover requires no special tools.

**Catalog Number Logic**



- Ⓞ See page L206 for complete catalog grid listing.
- Ⓞ Fuses not for marine or Canadian use.
- Ⓞ 55°C ambient suitability 2 or 3 lamp 32W C1D2 120V-277V only.

LZ2N, LZ2NE HAZARDOUS LOCATION APPLICATION DATA											
NUMBER OF LAMPS/WATTS	RATED AMBIENT °C	SUITABLE FOR °C SUPPLY WIRE	CLASS I, DIV. 2 MAX. SURFACE TEMP.			CLASS II, DIV. 1 & 2 MAX. SURFACE TEMP.			CLASS III DIV. 1 & 2 SUITABILITY	NEMA 4X IP66	
			TEMP.	T-CODE	GROUPS	TEMP.	T-CODE	GROUPS			
2 X 17W	40°	60	85°C	T5	A, B, C, D	100°C	T5	F, G	Yes	Yes	
3 X 17W	40°	60	85°C	T5	A, B, C, D	100°C	T5	F, G	Yes	Yes	
1 X 40W BIAxIAL	40°	60	100°C	T5	A, B, C, D	100°C	T5	F, G	Yes	Yes	
1 X 55W BIAxIAL	40°	60	160°C	T3C	A, B, C, D	100°C	T5	F, G	Yes	Yes	
2 X 40W BIAxIAL	40°	60	100°C	T5	A, B, C, D	100°C	T5	F, G	Yes	Yes	
4 X 40WBIAxIAL	40°	60	120°C	T4A	A, B, C, D	100°C	T5	F, G	Yes	Yes	
2 X 28W	40°	60	120°C	T4A	A, B, C, D	100°C	T5	F, G	Yes	Yes	
3 X 28W	40°	60	120°C	T4A	A, B, C, D	100°C	T5	F, G	Yes	Yes	
2 X 32W	40°	75	85°C	T6	A, B, C, D	100°C	T5	F, G	Yes	Yes	
2 X 32W	55°Ⓞ	90	100°C	T5	A, B, C, D	N/A	N/A	N/A	Yes	Yes	
3 X 32W	40°	75	85°C	T6	A, B, C, D	100°C	T5	F, G	Yes	Yes	
3 X 32W	55°Ⓞ	90	100°C	T5	A, B, C, D	N/A	N/A	N/A	Yes	Yes	
2 X 40W	40°	60	120°C	T4A	A, B, C, D	100°C	T5	F, G	Yes	Yes	
2 X 44W	40°	60	100°C	T5	A, B, C, D	100°C	T5	F, G	Yes	Yes	
2 X 54W T5	40°	75	160°C	T3C	A, B, C, D	100°C	T5	F, G	Yes	Yes	
3 X 54W T5	40°	75	180°C	T3A	A, B, C, D	120°C	T4A	F, G	Yes	Yes	
2 X 60W	40°	75	135°C	T4	A, B, C, D	100°C	T5	F, G	Yes	Yes	

# LIGHTING

LZ2N SERIES



## NON-METALLIC FLUORESCENT FIXTURES

LZ2N NON-METALLIC			
NUMBER OF LAMPS/WATTS	VOLTAGE AC 60 HZ	DESCRIPTION	LZ2N
<b>BIAXIAL LAMP TYPE FIXTURES</b>			
1-40W	120-277V	2' 1-Lamp Biaxial Electronic 50/60 Hz 0°F Start 4-Pin	LZ2N40130
1-55W	120-277V	2' 1-Lamp Biaxial Electronic 50/60 Hz 0°F Start 4-Pin	LZ2N55130
2-40W	120-277V	2' 2-Lamp Biaxial Electronic 50/60 Hz 0°F Start 4-Pin	LZ2N40230
4-40W	120-277V	4' 4-Lamp Biaxial Electronic 50/60 Hz 0°F Start 4-Pin	LZ2N40430
<b>DOUBLE-ENDED LAMP TYPE FIXTURES</b>			
2-17W	120-277V	2' 2-Lamp T8 Electronic 50/60 Hz 0°F Start Medium Bi-Pin	LZ2N17230
3-17W	120-277V	2' 3-Lamp T8 Electronic 50/60 Hz 0°F Start Medium Bi-Pin	LZ2N17330
2-28W	120-277V	4' 2-Lamp T-5 Electronic 50/60 Hz 0°F Start Miniature Bi-Pin	LZ2N28230
3-28W	120-277V	4' 3-Lamp T-5 Electronic 50/60 Hz 0°F Start Miniature Bi-Pin	LZ2N28330
2-32W	120-277V 347V	4' 2-Lamp T-8 Electronic 50/60 Hz 0°F Start Medium Bi-Pin	LZ2N32230 <sup>④</sup> LZ2N32215
3-32W	120-277V 347V	4' 3-Lamp T-8 Electronic 50/60 Hz 0°F Start Medium Bi-Pin	LZ2N32330 <sup>④</sup> LZ2N32315
2-40W	120V 277V 230V 50 Hz <sup>②</sup>	4' 2-Lamp T-12 Electronic, Medium Bi-Pin Start 50°F 40W/60°F 34W	LZ2N40201 LZ2N40204 LZ2N40208
2-44W	120-277V	4' 2-Lamp T-8 Electronic -20°F Start High Output 50/60 Hz Recessed Double Contact	LZ2N44230
2-54W	120-277V	4' 2-Lamp T-5 Electronic 50/60 Hz -20°F Start Miniature Bi-Pin	LZ2N54230
3-54W	120-277V	4' 2-Lamp T-5 Electronic 50/60 Hz -20°F Start Miniature Bi-Pin	LZ2N54330
2-60W	120-277V	4' 2-Lamp T-12 Electronic -20°F Start High Output 50/60 Hz Recessed Double Contact	LZ2N60230

See page L208 for LZ2NE Non-metallic and LZ2SE 316 Stainless Emergency Models

LZ2N AND LZ2S BALLAST DATA <sup>①</sup>					
NUMBER OF LAMPS / WATTS	VOLTAGE	LINE CURRENT AMPS		INPUT WATTS	STARTING TEMPERATURE
1 X 40W BIAXIAL	120-277V	.35 (120V)	.15 (277V)	39	0°F (-18°C)
1 X 55W BIAXIAL	120-277V	.49 (120V)	.22 (277V)	58	0°F (-18°C)
2 X 40W BIAXIAL	120-277V	.60 (120V)	.28 (277V)	78	0°F (-18°C)
4 X 40W BIAXIAL	120-277V	1.32 (120V)	.56 (277V)	156	0°F (-18°C)
2 X 17W	120-277V	.32 (120V)	.14 (277V)	38	0°F (-18°C)
3 X 17W	120-277V	.39 (120V)	.17 (277V)	48	0°F (-18°C)
2 X 28W	120-277V	.55 (120V)	.23 (277V)	66	0°F (-18°C)
3 X 28W	120-277V	.83 (120V)	.35 (277V)	99	0°F (-18°C)
2 X 32W	120-277V	.54 (120V)	.24 (277V)	65	0°F (-18°C)
3 X 32W	120-277V	.71 (120V)	.31 (277V)	85	0°F (-18°C)
2 X 40W	120-277V	.62 (120V)	.24 (277V)	71	50°F (10°C) I
2 X 44W	120-277V	.84 (120V)	.36 (277V)	99	-20°F (-29°C)
2 X 54W	120-277V	1.00 (120V)	.43 (277V)	120	-20°F (-29°C)
3 X 54W	120-277V	1.52 (120V)	.66 (277V)	182	-20°F (-29°C)
2 X 60W	120-277V	1.13 (120V)	.48 (277V)	125	-20°F (-29°C)

<sup>①</sup> Includes normal powered LZ2NE and LZ2SE models, lamps not included.

<sup>②</sup> Magnetic ballast.

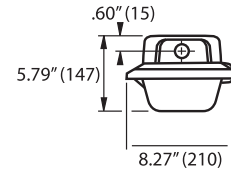
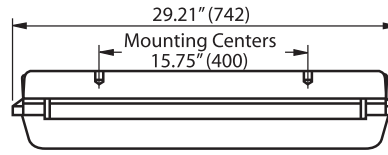
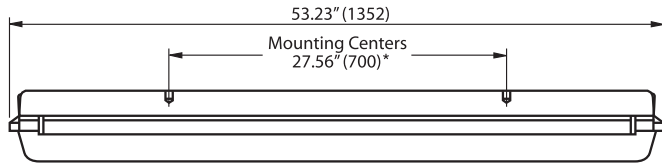
<sup>③</sup> 50°C 34T12; 60°F 40T12.

<sup>④</sup> See LOGIC for 55°C ambient suitability.



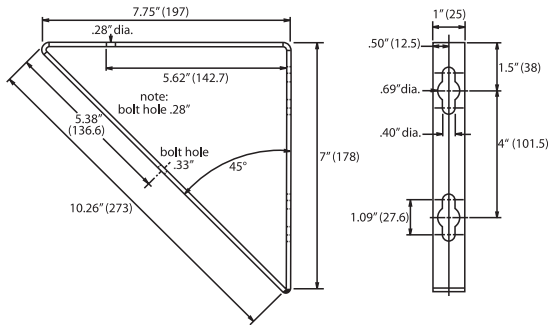
## DIMENSIONS, ACCESSORIES

### Dimensions LZ2N, LZ2NE Series

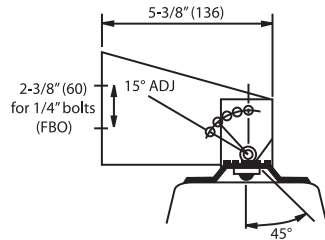


\* Mounting Centers are 1/4-20" tapped for user all thread rod or below accessories.

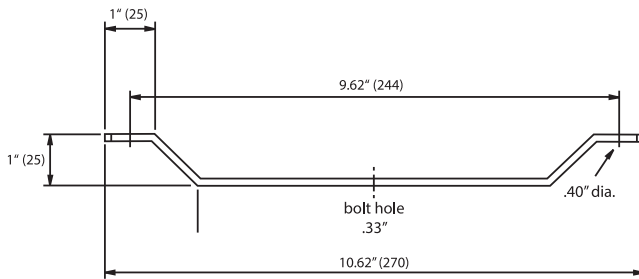
### Mounting Accessories for all LZ2N, LZ2S Series



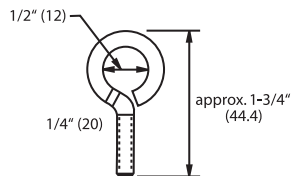
**Wall Bracket Set<sup>2</sup>**  
**Part Number LZWB**  
 Stainless Steel (natural finish)



**Adjustable Wall Bracket Set<sup>2</sup>**  
**Part Number LZAB**  
 Stainless Steel bracket with ceramic coated pivot bolt



**Ceiling Bracket Set<sup>2</sup>**  
**Part Number LZCB**  
 Stainless Steel (natural finish)



**Eyebolt Set**  
**Part Number LZEB**  
 Stainless Steel bolt with lockwasher & nut (natural finish)

**Suspension Chains (2 required)**  
**Part Number HFX-SC**  
 36" length plated steel chain with snap link ends. For use with LZEB

<sup>1</sup> Dimensions in ( ) are millimeters.  
<sup>2</sup> Product accessories have hardware for attachment to fixture; hardware to attach to wall/ceiling F.B.O.  
 NOTE: Eyebolts are 316 Series, brackets are 300 Series Stainless Steel.

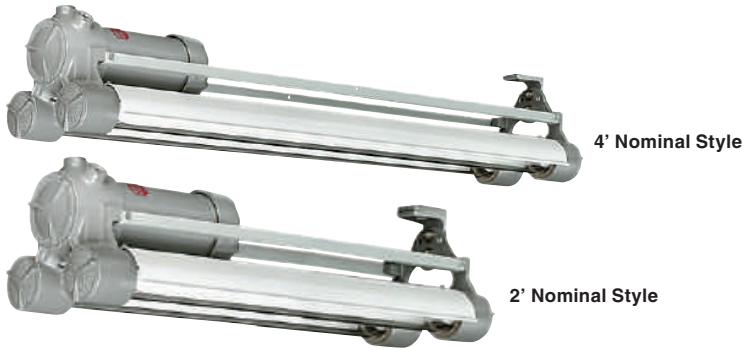
REPLACEMENT PARTS:	
LZ2N4LENS	4' Lens only LZ2N/LZ2S
LZ2N2LENS	2' Lens only LZ2N/LZ2S
LZ2N4BAR	4' Locking Bar only LZ2N
LZ2N2BAR	2' Locking Bar only LZ2N
LZ2S-LATCH	Latch and Spring

# LIGHTING

## HFX-T SERIES



### BIAXIAL (LONG TWIN TUBE)



Class I, Div. 1 & 2, Groups C,D  
 Class I, Zones 1 & 2, Groups IIB, IIA  
 Class II, Div. 1 & 2, Groups E,F,G  
 Class III, Div. 1 & 2  
 NEMA 3, 4X, 7(C,D) 9(E,F,G)  
 Suitable for wet locations  
 Suitable for paint spray booths

**UL LISTED** - File E12976 and E89665 (Marine)  
**SP** Certified - File LR11713

#### Applications

Biaxial single ended lamp type HFX-T fixtures provide greater efficiency and lumen output than standard models. Designed for installations where moisture, dirt, dust, corrosion and vibration may be present, or NEMA 3 and 4X areas where wind, water and snow can be expected. They can also be used in locations made hazardous due to the presence of flammable or explosive gases, vapors and combustible ducts as defined by the NEC.

Typical applications include classified areas such as inside paint spray booths, paint manufacturing plants, ammunition facilities, oil and gas producing and refining plants, off-shore and dockside installations, tank farms, pipeline pumping stations and marine loading and fuel transfer terminals.

#### Features

- UL Listed and labeled for use inside paint spray booths and rooms
- 2' nominal compact models facilitate use in areas too small for nominal 4' models, or where the light must be confined
- Standard ballast is 120-277V at 50/60 Hz
- 0°F starting temperature

See page L209 for HFXE Emergency Models

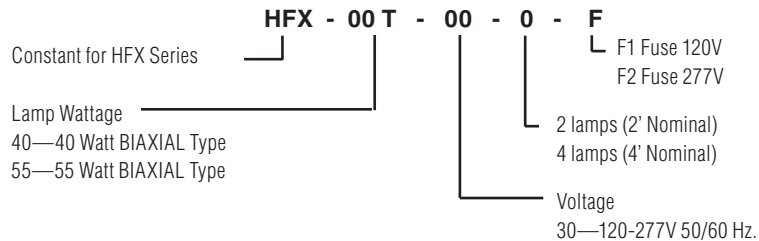
- Construction is strong lightweight corrosion resistant copper-free aluminum alloy, less than 4/10 of 1%
- All external hardware is corrosion resistant 316 stainless steel
- UL Listed externally fused ballast option; protects fixture on line side of ballast, prevents ballast burnout
- Suitable for use in both indoor and outdoor wet locations
- Relamping easily accomplished by removing screw in cap and socket
- Factory sealed construction

- Extruded aluminum reflectors are easily removable for cleaning. White baked enamel finish

#### Compliances

- UL-1570, Standard for Fluorescent Lighting Fixtures
- UL Marine Type Lighting Fixtures
- UL-844, Standard for Lighting Fixtures for Hazardous Locations
- CSA C22.2 137-M1981
- Meets requirements of NFPA 70-1987 Article 516 and NFPA standard 33

#### Catalog Number Logic



HFX-T BIAXIAL TYPE LIGHT FIXTURES ① ②				
CATALOG NUMBER	CONDUIT SIZE	LINE VOLTAGE	DESCRIPTION	PROFILE
HFX-40T-302	3/4"	120V-277V 50/60 Hz	2' 2 Lamp 40W BIAXIAL T5	 Two Glass Tubes 2' or 4' Nominal
HFX-55T-302			2' 2 Lamp 55W BIAXIAL T5	
HFX-40T-304			4' 4 Lamp 40W BIAXIAL T5	
HFX-55T-304			4' 4 Lamp 55W BIAXIAL T5	

① See page L171 for ballast current information.  
 ② Consult HFX page L172 for dimensions and accessories.

HFX-T, HFXE-T HAZARDOUS LOCATION APPLICATION DATA												
DESCRIPTION	RATED AMBIENT °C	SUITABLE FOR °C SUPPLY WIRE	CLASS I, DIV. 1 & 2 MAX. SURFACE TEMP			CLASS II, DIV. 1 & 2 MAX. SURFACE TEMP			CLASS III DIV. 1 & 2 SUITABILITY	UL MARINE	PAINT SPRAY SUITABLE	NEMA 3 & 4X
			TEMP.	T-CODE	GROUPS	TEMP.	T-CODE	GROUPS				
HFX-T 40W 2 LAMP	40	60	85	T6	C, D	120°C	T4A	E, F, G	Yes	Yes	Yes	Yes
HFX-T 55W 2 LAMP	40	60	85	T6	C, D	120°C	T4A	E, F, G	Yes	Yes	Yes	Yes
HFX-T 40W 4 LAMP	40	60	85	T6	C, D	120°C	T4A	E, F, G	Yes	Yes	Yes	Yes
HFX-T 55W 4 LAMP	40	60	85	T6	C, D	120°C	T4A	E, F, G	Yes	Yes	Yes	Yes



**BIAXIAL LONG TWIN TUBE ACCESSORIES, PHOTOMETRIC DATA**



**4' Nominal Style**

**FLUORESCENT FIXTURE- HFX-40T-302**

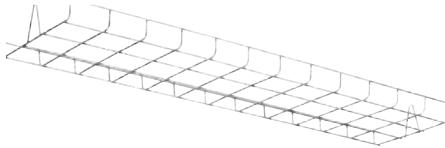
Lamp Type F40/2G11/835/RS  
 2' – 2 40 Watt Biaxial 3150 Lumens each.  
**Total Bare Lamp Lumens 6300**  
 For 55W Biaxial multiply by 1.52.



**2' Nominal Style**

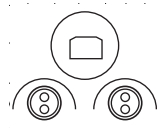
**FLUORESCENT FIXTURE- HFX-40T-304**

Lamp Type F40/2G11/835/RS  
 4' – 4 40 Watt Biaxial 3150 Lumens each.  
**Total Bare Lamp Lumens 12600**  
 For 55W Biaxial multiply by 1.52.

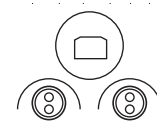


<b>WIRE GUARD ①</b>	
CATALOG NUMBER	DESCRIPTION
2HFX-G2	302 HFX-T Models
2HFX-G4	304 HFX-T Models

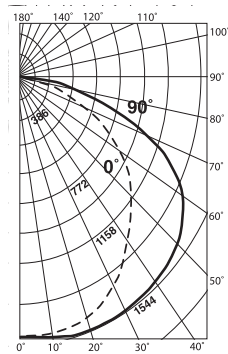
① 316 Stainless Steel



<b>ZONAL LUMENS</b>	
ZONE	LUMENS
0-30	826
0-40	1447
0-60	2977
0-90	4638

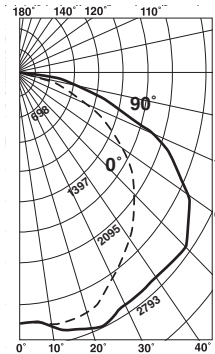


<b>ZONAL LUMENS</b>	
ZONE	LUMENS
0-30	2197
0-40	3685
0-60	7050
0-90	9559



VERT. ANGLE	0	22.5	45	67.5	90	ZONAL LUMENS
0.0	1530	1530	1530	1530	1530	1530
5.0	1533	1524	1520	1533	1531	145.6
10.0	1515	1509	1515	1527	1544	1536
15.0	1484	1486	1508	1531	1544	428.0
20.0	1435	1453	1492	1526	1543	1543
25.0	1379	1410	1464	1511	1540	676.4
30.0	1310	1355	1427	1485	1530	1530
35.0	1227	1286	1377	1448	1490	858.9
40.0	1132	1209	1313	1403	1440	1440
45.0	1026	1123	1242	1354	1389	953.7
50.0	913	1024	1168	1287	1326	1296
55.0	783	902	1063	1205	1236	941.8
60.0	649	781	962	1094	1090	1090
65.0	507	667	862	875	857	765.8
70.0	366	543	641	601	600	600
75.0	197	396	408	425	428	407.7
80.0	72	218	224	242	240	240
85.0	14	74	56	52	51	58.8
90.0	1	10	6	7	8	8

Efficiency 83.2%



VERT. ANGLE	0	22.5	45	67.5	90	ZONAL LUMENS
0.0	2625	2625	2625	2625	2625	2625
5.0	2606	2607	2611	2617	2620	249.3
10.0	2661	2669	2692	2716	2726	2625
15.0	2621	2641	2693	2738	2756	762.6
20.0	2559	2597	2692	2766	2793	2793
25.0	2393	2450	2564	2653	2685	1181.0
30.0	2254	2335	2477	2590	2635	2635
35.0	2102	2207	2381	2528	2587	1485.7
40.0	1959	2094	2306	2502	2571	2571
45.0	1778	1951	2236	2473	2544	1707.9
50.0	1609	1793	2106	2325	2387	2387
55.0	1404	1612	1966	2169	2234	1697.1
60.0	1140	1369	1701	1890	1942	1942
65.0	920	1202	1542	1690	1698	1423.7
70.0	676	964	1288	1290	1277	1277
75.0	425	735	871	860	889	825.8
80.0	204	473	548	623	643	643
85.0	58	202	256	246	251	234.9
90.0	15	38	44	53	60	60

Efficiency 76%

<b>COEFFICIENTS OF UTILIZATION - ZONAL CAVITY METHOD</b>							
% EFFECTIVE CEILING CAVITY REFLECTAN 1CC	80	70	50	30	10	0	0
% WALL REFLECTANCE 1W	70 50 30 10	70 50 30 10	50 30 10	50 30 10	50 30 10	0	0
ROOM CAVITY RATIO RCR	20% EFFECTIVE FLOOR CAVITY REFLECTANCE						
0	.99 .99 .99 .99	.97 .97 .97	.92 .92 .92	.88 .88 .88	.85 .85 .85	.83	
1	.90 .86 .82 .79	.88 .84 .81 .78	.80 .78 .75	.77 .75 .73	.74 .72 .71	.69	
2	.81 .74 .68 .63	.79 .73 .67 .63	.70 .65 .61	.67 .63 .60	.64 .61 .58	.56	
3	.74 .65 .58 .52	.72 .63 .57 .51	.61 .55 .50	.58 .54 .50	.56 .52 .49	.47	
4	.67 .57 .49 .43	.65 .56 .49 .43	.54 .47 .42	.52 .46 .42	.50 .45 .41	.39	
5	.62 .50 .43 .37	.60 .50 .42 .37	.48 .41 .36	.46 .40 .36	.44 .39 .35	.34	
6	.57 .45 .37 .32	.55 .44 .37 .32	.43 .36 .31	.41 .36 .31	.40 .35 .31	.29	
7	.52 .41 .33 .28	.51 .40 .33 .28	.39 .32 .28	.38 .32 .27	.36 .31 .27	.25	
8	.49 .37 .30 .25	.47 .36 .30 .25	.35 .29 .24	.34 .29 .24	.33 .28 .24	.23	
9	.45 .34 .27 .22	.44 .33 .27 .22	.32 .26 .22	.32 .26 .22	.31 .25 .22	.2	
10	.43 .31 .24 .20	.41 .31 .24 .20	.30 .24 .20	.29 .24 .20	.28 .23 .20	.18	

SPACING TO MOUNTING HEIGHT RATIO - 1.28 0-180°  
 SPACING TO MOUNTING HEIGHT RATIO - 1.50 90-270°

Test No. BAL12360

<b>COEFFICIENTS OF UTILIZATION - ZONAL CAVITY METHOD</b>							
% EFFECTIVE CEILING CAVITY REFLECTAN 1CC	80	70	50	30	10	0	0
% WALL REFLECTANCE 1W	70 50 30 10	70 50 30 10	50 30 10	50 30 10	50 30 10	0	0
ROOM CAVITY RATIO RCR	20% EFFECTIVE FLOOR CAVITY REFLECTANCE						
0	.90 .90 .90 .90	.88 .88 .88 .88	.84 .84 .84	.81 .81 .81	.77 .77 .77	.76	
1	.82 .78 .74 .71	.80 .76 .73 .70	.73 .70 .68	.70 .68 .65	.67 .65 .63	.62	
2	.74 .67 .61 .57	.72 .66 .60 .56	.63 .58 .55	.60 .56 .53	.58 .55 .52	.50	
3	.67 .58 .52 .46	.65 .57 .51 .46	.55 .49 .45	.52 .48 .44	.50 .47 .43	.42	
4	.61 .51 .44 .39	.59 .50 .43 .38	.48 .42 .38	.46 .41 .37	.45 .40 .37	.35	
5	.56 .45 .38 .33	.54 .44 .38 .33	.43 .37 .32	.41 .36 .32	.40 .35 .31	.30	
6	.51 .41 .33 .28	.50 .40 .33 .28	.38 .32 .28	.37 .32 .28	.36 .31 .27	.26	
7	.47 .37 .30 .25	.46 .36 .29 .25	.35 .29 .24	.34 .28 .24	.33 .28 .24	.22	
8	.44 .33 .27 .22	.43 .33 .26 .22	.32 .26 .22	.31 .25 .22	.30 .25 .21	.20	
9	.41 .30 .24 .20	.40 .30 .24 .20	.29 .23 .19	.28 .23 .19	.27 .23 .19	.18	
10	.38 .28 .22 .18	.37 .28 .22 .18	.27 .21 .17	.26 .21 .17	.25 .21 .17	.16	

SPACING TO MOUNTING HEIGHT RATIO - 1.28 0-180°  
 SPACING TO MOUNTING HEIGHT RATIO - 1.52 90-270°

Test No. BAL12361





# LIGHTING

## FLUORESCENT FIXTURES



**Class I, Div. 1 & 2, Groups C,D**  
**Class I, Zones 1 & 2, Groups IIB, IIA**  
**Class II, Div. 1 & 2, Groups E,F,G**  
**Class III, Div. 1 & 2**  
**NEMA 3, 4X, 7(C,D) 9(E,F,G)**  
**Suitable for wet locations**  
**Suitable for paint spray booths**

**UL LISTED** - File E12976 and E89665 (Marine)  
**SP** Certified - File LR11713

### FEATURES-SPECIFICATIONS

#### Applications

HFX Series fluorescent fixtures are designed for installations where moisture, dirt, dust, corrosion and vibration may be present, or NEMA 3 and 4X areas where wind, water and snow can be expected. They can also be used in locations made hazardous due to the presence of flammable or explosive gases, vapors and combustible ducts as defined by the NEC.

Typical applications include classified areas such as inside paint spray booths, paint manufacturing plants, ammunition facilities, oil and gas producing and refining plants, off-shore and dockside installations, tank farms, pipeline pumping stations and marine loading and fuel transfer terminals.

- Extruded aluminum reflectors are easily removable for cleaning. White baked enamel finish
- Optional 316 stainless steel wire guard for added protection
- Threaded O-Ring gasketed covers provide easy access to lamp chambers, ballast and wiring compartment
- UL Listed externally fused ballast option; protects fixture on line side of ballast, prevents ballast burnout
- Suitable for use in both indoor and outdoor wet locations
- Relamping from either end permits easy access, speed and flexibility in relamping

- Spring loaded sockets on both lamp ends provide positive electrical contact and improved vibration resistance

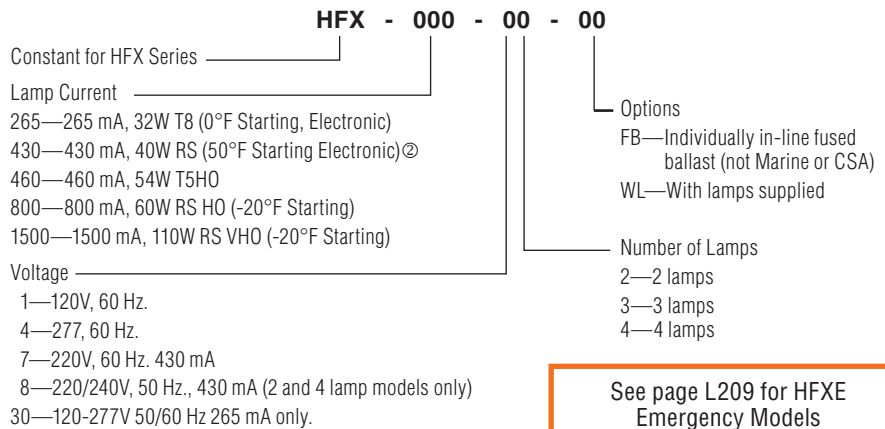
#### Compliances

- UL-1570, Standard for Fluorescent Lighting Fixtures
- UL Marine Type Lighting Fixtures
- UL-844, Standard for Lighting Fixtures for Hazardous Locations
- CSA C22.2 137-M1981
- Meets requirements of NFPA 70-1987 Article 516 and NFPA standard 33

#### Features

- UL Listed and labeled for use inside paint spray booths and rooms
- Construction is strong lightweight corrosion resistant copper-free aluminum alloy, less than 4/10 of 1%
- Class P ballast(s) with internal automatic thermally activated protective device
- All external hardware is corrosion resistant 316 stainless steel to provide maintenance free long life
- UL factory sealed construction (no external seals required). Saves installation time and cost
- Electronic energy efficient ballasts are standard on 430 mA fixtures and meet the requirements of many states

#### Catalog Number Logic



HFX, HFXE HAZARDOUS LOCATION APPLICATION DATA ①													
DESCRIPTION	LAMP WATTS	RATED AMBIENT °C	SUITABLE FOR °C SUPPLY WIRE	CLASS I, DIV. 1 & 2 MAX. SURFACE TEMP			CLASS II, DIV. 1 & 2 MAX. SURFACE TEMP			CLASS III DIV. 1 & 2 SUITABILITY	UL MARINE	PAINT SPRAY SUITABLE	NEMA 3 & 4
				TEMP.	T-CODE	GROUPS	TEMP.	T-CODE	GROUPS				
HFX	32	40	90	100°C	T5	C, D	120°C	T4A	E, F, G	Yes	Yes	Yes	Yes
HFX	40	40	90	100°C	T5	C, D	120°C	T4A	E, F, G	Yes	Yes	Yes	Yes
HFX	54	40	90	100°C	T5	C, D	120°C	T4A	E, F, G	Yes	Yes	Yes	Yes
HFX	60	40	90	100°C	T5	C, D	120°C	T4A	E, F, G	Yes	Yes	Yes	Yes
HFX	110	40	90	100°C	T5	C, D	120°C	T4A	E, F, G	Yes	Yes	Yes	Yes

① Ratings apply to all 2, 3, and 4 lamp models.  
 © 430 MA ballasts 60°F start with 34 watt lamps.



## FLUORESCENT FIXTURES



Class I, Div. 1 & 2, Groups C,D  
 Class I, Zones 1 & 2, Groups IIB, IIA  
 Class II, Div. 1 & 2, Groups E,F,G  
 Class III, Div. 1 & 2  
 NEMA 3, 4X, 7(C,D) 9(E,F,G)  
 Suitable for wet locations  
 Suitable for paint spray booths

LISTED - File E12976 and E89665 (Marine)  
 Certified - File LR11713

### FEATURES-SPECIFICATIONS

HFX FLUORESCENT LIGHT FIXTURES ① ②				
CATALOG NUMBER	CONDUIT SIZE	LINE VOLTAGE @60 HERTZ	DESCRIPTION	NUMBER OF LAMPS
HFX-265-302	3/4"	120V-277V 50/60 Hz	32W T8 electronic ballast 265MA	 Two Glass Tubes 4' Nominal
HFX-460-302		120V-277V 50/60 Hz	54W T5HO Electronic Ballast 460MA	
HFX-430-12		120V	40W rapid start electronic F40T12 medium Bi-Pin 430MA	
HFX-430-42		277V	40W rapid start electronic F40T12 medium Bi-Pin 430MA	
HFX-800-12		120V	60W rapid start high output F48T12/HO recessed double contact 800MA	
HFX-800-42		277V	60W rapid start high output F48T12/HO recessed double contact 800MA	
HFX-1500-12		120V	110W rapid start VHO F48T12/VHO recessed double contact 1500MA	
HFX-1500-42	277V	110W rapid start VHO F48T12/VHO recessed double contact 1500MA		
HFX-265-303	3/4"	120V-277V 50/60 Hz	32W T8 electronic ballast 265MA	 Three Glass Tubes 4' Nominal
HFX-460-303		120V-277V 50/60 Hz	54W T5HO Electronic Ballast 460MA	
HFX-430-13		120V	40W rapid start electronic F40T12 medium Bi-Pin 430MA	
HFX-430-43		277V	40W rapid start electronic F40T12 medium Bi-Pin 430MA	
HFX-800-13		120V	60W rapid start high output F48T12/HO recessed double contact 800MA	
HFX-800-43		277V	60W rapid start high output F48T12/HO recessed double contact 800MA	
HFX-1500-13		120V	110w rapid start VHO F48T12/VHO recessed double contact 1500MA	
HFX-1500-43	277V	110w rapid start VHO F48T12/VHO recessed double contact 1500MA		
HFX-265-304	3/4"	120V-277V 50/60 Hz	32W T8 electronic ballast 265MA	 Four Glass Tubes 4' Nominal
HFX-460-304		120V-277V 50/60 Hz	54W T5HO Electronic Ballast 460MA	
HFX-430-14		120V	40W rapid start electronic F40T12 medium Bi-Pin 430MA	
HFX-430-44		277V	40W rapid start electronic F40T12 medium Bi-Pin 430MA	
HFX-800-14		120V	60W rapid start high output F48T12/HO recessed double contact 800MA	
HFX-800-44		277V	60W rapid start high output F48T12/HO recessed double contact 800MA	
HFX-1500-14		120V	110W rapid start VHO F48T12/VHO recessed double contact 1500MA	
HFX-1500-44	277V	110W rapid start VHO F48T12/VHO recessed double contact 1500MA		

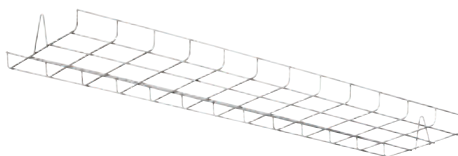
① Standard ballasts starting temperatures:  
 32 Watt (265MA) Electronic 0°F  
 40 Watt (430MA) Electronic 50°F, 60°F with 34 Watt lamps  
 60 Watt (800MA) Electronic -20°F  
 110 Watt (1500MA) Electronic -20°F

optional cold weather electromagnetic ballast (0°F starting 40 Watt 430MA) add suffix CW to catalog number.

② Optional UL listed in-line ballast fusing is available by adding suffix FB to catalog number (UL only).

③ Safety chain accessory catalog number HFX-SC available, supplied standard with 4 lamp fixtures.

WIRE GUARD	
CATALOG NUMBER	DESCRIPTION
2HFX-G4	2-Lamp 316 grade stainless steel
3HFX-G4	3-Lamp 316 grade stainless steel



See page L209 for HFXE Emergency Models

4 lamp fixture requires two 2HFX-G4 guards.



## BALLAST DATA



Class I, Div. 1 & 2, Groups C,D  
 Class I, Zones 1 & 2, Groups IIB, IIA  
 Class II, Div. 1 & 2, Groups E,F,G  
 Class III, Div. 1 & 2  
 NEMA 3, 4X, 7(C,D) 9(E,F,G)  
 Suitable for wet locations  
 Suitable for paint spray booths

LISTED - File E12976 and E89665 (Marine)  
 Certified - File LR11713

## FEATURES-SPECIFICATIONS

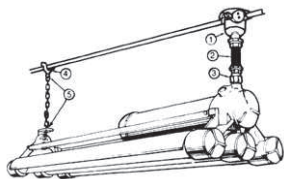
HFX BALLAST DATA					
CATALOG NUMBER	NO. OF LAMPS	VOLTAGE	LINE CURRENT AMPS	INPUT WATTS	STARTING TEMPERATURE
<b>32 WATT T-8 ELECTRONIC 48" 265mA</b>					
HFX-265-302	2	120-277	0.54 (120V) 0.24 (277V)	71	0°F (-18°C)
HFX-265-303 ①	3	120-277	0.71 (120V) 0.31 (277V)	88	0°F (-18°C)
HFX-265-304	4	120-277	1.10 (120V) 0.48 (277V)	142	0°F (-18°C)
<b>54 WATT T-5HO ELECTRONIC 48" 460mA</b>					
HFX-460-302	2	120-277	1.00 - .45	118	-20°F (-29°C)
HFX-460-303	3	120-277	1.55 - .67	177	-20°F (-29°C)
<b>40 WATT RAPID START ELECTRONIC T-12 MEDIUM BI-PIN 48" 430mA</b>					
HFX-430-12	2	120	0.51 ②	60	60°F (16°C)
HFX-430-42	2	277	0.22 ②	60	60°F (16°C)
HFX-430-13 ①	3	120	0.69 ②	91	60°F (16°C)
HFX-430-43 ①	3	277	0.30 ②	91	60°F (16°C)
HFX-430-14	4	120	1.02 ②	120	60°F (16°C)
HFX-430-44	4	277	0.44 ②	120	60°F (16°C)
<b>40 WATT BIAXIAL TYPE</b>					
HFX-40T-302	2	120-277 50/60 Hz	0.63 (120V) 0.27 (277V)	76	0°F (-18°C)
HFX-40T-304	4	120-277 50/60 Hz	1.32 (120V) 0.54 (277V)	156	0°F (-18°C)
<b>55 WATT BIAXIAL TYPE</b>					
HFX-55T-302	2	120-277 50/60 Hz	0.94 (120V) 0.41 (277V)	112	-20°F (-29°C)
HFX-55T-304	4	120-277 50/60 Hz	1.97 (120V) 0.84 (277V)	232	-20°F (-29°C)
<b>60 WATT RAPID START HIGH OUTPUT T-12 RECESSED DOUBLE CONTACT 48" 800mA</b>					
HFX-800-12	2	120	1.4	135	-20°F (-29°C)
HFX-800-42	2	277	0.61	145	-20°F (-29°C)
HFX-800-13	3	120	2.4	260	-20°F (-29°C)
HFX-800-43	3	277	1.03	235	-20°F (-29°C)
HFX-800-14	4	120	2.8	270	-20°F (-29°C)
HFX-800-44	4	277	1.22	290	-20°F (-29°C)
<b>110 WATT RAPID START VERY HIGH OUTPUT T-12 RECESSED DOUBLE CONTACT 48" 1500mA</b>					
HFX-1500-12	2	120	2.1	242	-20°F (-29°C)
HFX-1500-42	2	277	0.92	242	-20°F (-29°C)
HFX-1500-13	3	120	3.38	376	-20°F (-29°C)
HFX-1500-43	3	277	1.48	377	-20°F (-29°C)
HFX-1500-14	4	120	4.2	484	-20°F (-29°C)
HFX-1500-44	4	277	1.84	484	-20°F (-29°C)

① 3 lamp 265mA and 430mA fixtures use a single ballast.

② Line current and 60°F start using 34 Watt lamps. Start temperature for 40 Watt lamps is 50°F (10°C). 40 Watt lamps current approximately 24% higher.



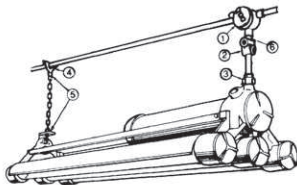
## BALLAST DATA



Dummy (non-powered) end lowers for relamping clearance, which is required when fixtures are mounted in close proximity. Flexible mounting provides free swing and impact protection.

1. Splice Box/Fixture Hanger (HXB)
2. Flexible Pendant Hanger (EKJ)
3. Union (GUM)
4. Rigid Support Saddle Bracket (KFHS)
5. Support Hook (KEFHM)

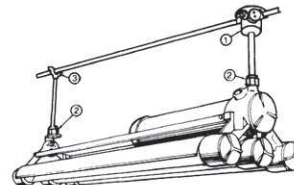
Note: Leave extra links to support fixture in relamping position. Chain furnished by others.



Dummy (non-powered) end lowers for relamping clearance, which is required when fixtures are mounted in close proximity.

1. Splice Box/Fixture Hanger (XFH)
2. Swivel Hanger (KESD)
3. Union (GUM)
4. Rigid Support Saddle Bracket (KFHS)
5. Support Hook (KEFHM)
6. 3/4" Rigid Threaded Nipple

Note: Leave extra links to support fixture in relamping position. Chain furnished by others.



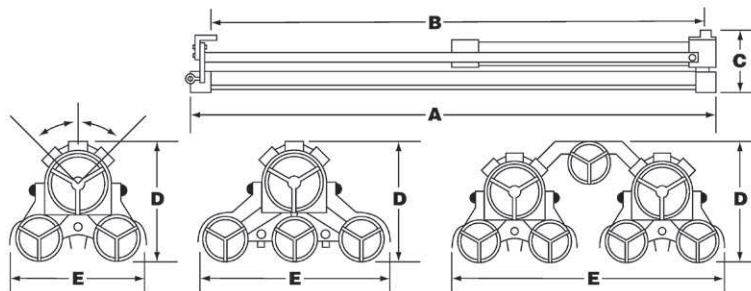
Rigid mounted—for installations where relamping can be accomplished without lowering dummy end.

1. Splice Box/Fixture Hanger (HXB)
2. Union (GUM)
3. Rigid Support Saddle Bracket (KFHS)

For wall mounting, use securely fastened 3/4" pipe 6" or less in length. Floor flange (furnished by others) recommended for dummy end as well as chain or cable providing vertical strain relief from above fixture. Chain furnished by others.

MOUNTING HARDWARE			
CATALOG NUMBER	HUB SIZE	LENGTH	DESCRIPTION
HXB-12	1/2"	—	HXB SERIES Splice Box/ 3/4" Fixture Hanger
HXB-22	3/4"	—	
EKJ-24	3/4"	4	EKJ SERIES Flexible Pendant Hanger
EKJ-26	3/4"	6	
EKJ-28	3/4"	8	
EKJ-210	3/4"	10	
EKJ-212	3/4"	12	
EKJ-215	3/4"	15	
EKJ-218	3/4"	18	
GUM-2	3/4"		GU SERIES Male Union

MOUNTING HARDWARE		
CATALOG NUMBER	HUB SIZE	DESCRIPTION
XFH-22	3/4"	XFH SERIES Splice box/fixture hanger
KESD-75	3/4"	KESD SERIES Swivel Hanger 15° swivel drop from center and full 360° free swing
KFHS-5075	3/4"	KFHS SERIES Rigid support saddle bracket for fluorescent fixtures (dummy end) Will support 350 lbs. and straddle Max. 1-1/4" conduit
KEFHM-75	3/4"	KEFHM SERIES Safety support hook with 3/4" male end For dummy end of fixture Will support 200 lbs. screw closed 3/8" jaw opening
HFX-SC	—	HFX SERIES Safety chain (36" length plated steel), standard on 4-tube fixture



HFX DIMENSIONS								
HFX MODEL	CONDUIT SIZE	DIMENSIONS						NET WEIGHT
		A	B	C	D	E		
Nominal 2'	2 Tubes	3/4-14 NPT	28-15/16" (735)	24-3/8" (619)	9-3/32" (231)	9-3/32" (231)	11" (279)	36.0 Lbs.
Nominal 4'	2 Tubes	3/4-14 NPT	52-13/16" (1367)	48-3/8" (1229)	9-3/32" (231)	9-3/32" (231)	11" (279)	47.7 Lbs.
Nominal 4'	3 Tubes	3/4-14 NPT	52-13/16" (1367)	48-3/8" (1229)	9-3/32" (231)	9-3/32" (231)	15-5/8" (397)	63.0 Lbs.
Nominal 4'	4 Tubes	3/4-14 NPT	52-13/16" (1367)	48-3/8" (1229)	9-3/32" (231)	10-1/8" (257)	23" (584)	99.9 Lbs.



# LIGHTING

## QUARTZ FLOODLIGHTS



QL-500K



QL-1505K

### FEATURES-SPECIFICATIONS

#### Applications

Provides maximum light output with low initial cost. Designed for instant turn-on and high illumination levels where H.I.D. costs are prohibitive. Used to illuminate construction sites, security areas, sports areas, sign lighting and other applications.

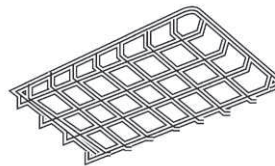
#### QL Series Features

- Tempered Glass Lens Assembly—Thermal shock-and impact-resistant glass lens mounted in a die cast aluminum door frame
- Cast Aluminum Housing—The cast aluminum body is designed with a specialized heat dissipating fin system for cooler operation
- Versatile Mounting—The standard unit has a 1/2 inch swivel knuckle with cast construction for strength and durability
- High Temperature Gasketing—A weathertight seal is provided by a high temperature silicone door gasket
- Exclusive Socket System—This two-piece, high temperature socket allows easy relamping and prevents socket from binding
- Reflector—Linear parabolic reflector system provides maximum light out
- High Temperature Gasketing—A weathertight seal is provided by a high temperature silicone gasket attached to the housing. Four lens clips positively seal the lens to the gasket with consistent pressure to assure a weathertight seal
- Versatile Mounting—The standard unit has a 1/2 inch swivel knuckle with cast construction for strength and universal aiming

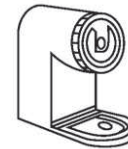
QL QUARTZ FLOODLIGHTS				
CATALOG NUMBER	LAMP AND WATTAGE	BEAM SPREAD	WEIGHT	E.P.A. SQ. FT.
QL-500K ①	300/500	Wide	4 Lbs. (1.8)	0.53
QL-500K-WQ ②	300/500	Wide	4 Lbs. (1.8)	0.53
QL-1505K ③	1000/1500	Wide	6 Lbs. (2.7)	0.86
QL-1505K-WQ ②③	1000/1500	Wide	6 Lbs. (2.7)	0.86

- ① Lamps not included.
- ② Lamps supplied-shipped separately. 500W 120V, 1500 240V.
- ③ 1500W models must be aimed 10° or more below horizontal.

ACCESSORIES /REPLACEMENT PARTS		
DESCRIPTION	QL-500K	QL-1505K
Guard	QL-5G	QL-15G
Trunnion Box	TRNDB	
Lens ONLY	0461330B	0461331B
Socket (2 Required)	K800-2166-0108	0732016B
1/2" Knuckle	K20750110214	
Lens Gasket	K265-0481-0307	

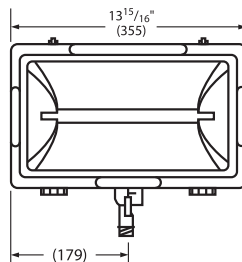


Guard

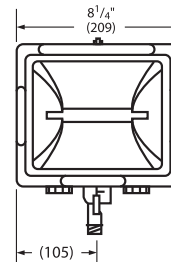


Trunnion Box

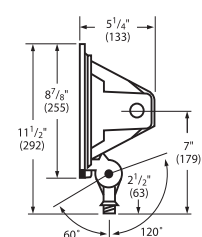
#### Dimensions



QL-1500 Watt



QL-500 Watt



QL-1500 and QL-500 Watt



## FLOODLIGHTS, 150-1000W HID



**Class I, Div. 2 Groups A,B,C,D<sup>®</sup>**  
**Class I, Zone 2, Groups IIC, IIB, IIA (nR<sup>Ⓣ</sup>)**  
 Suitable for wet locations  
**NEMA 4X**  
**IP66**

**ABS** Type Approval

Type approval for shipboard use<sup>Ⓞ</sup>

### FEATURES-SPECIFICATIONS

#### Applications

KF series floodlights can be used in industrial installations where flammable gases or vapors may exist due to abnormal conditions resulting in the creation of a Class I, Div. 2 hazardous location as defined by the NEC. Also can be used where general corrosive atmospheric conditions exist such as ocean piers, marinas and costal areas.

Designed for heavy duty applications where long life and maintenance-free service are essential.

#### Features

- Rugged weathertight housing of copper-free aluminum with corrosion resistant bronze finish
- Wide beam distribution
- Thermal shock, impact-resistant lens
- Continuous silicone gasketing
- All external hardware is corrosion resistant including HubbellGard<sup>®</sup> ceramic coated screws
- Trunnion mounting-heavy gauge, hot dip galvanized steel mounting with stainless steel hardware
- 3/4" NPT entry on back lower left

#### Catalog Logic

KF P 40 0 -76 NR F1 P1 AS

- |   |   |                |   |   |   |
|---|---|----------------|---|---|---|
| 1 | 2   | 3              | 4 | 5 | 6 |
| 1 | <b>KF - Series Constant</b> (aluminum flood)      |                |   |   |   |
| 2 | <b>Lamp Type</b>                                  |                |   |   |   |
|   | S = High Pressure Sodium                          |                |   |   |   |
|   | H = Metal Halide                                  |                |   |   |   |
|   | P = Pulse Start Metal Halide                      |                |   |   |   |
| 3 | <b>Wattage</b>                                    |                |   |   |   |
|   | 07 = 70 Watt (HPS)                                |                |   |   |   |
|   | 10 = 100 Watt (HPS)                               |                |   |   |   |
|   | 15 = 150 Watt (MHP, HPS)                          |                |   |   |   |
|   | 17 = 175 Watt (MH, MHP) <sup>Ⓞ</sup>              |                |   |   |   |
|   | 20 = 200 Watt (MHP)                               |                |   |   |   |
|   | 25 = 250 Watt (MH, MHP, HPS) <sup>Ⓞ</sup>         |                |   |   |   |
|   | 32 = 320 Watt (MHP)                               |                |   |   |   |
|   | 35 = 350 Watt (MHP)                               |                |   |   |   |
|   | 40 = 400 Watt (MH, MHP, HPS) <sup>Ⓞ</sup>         |                |   |   |   |
|   | 100 = 1000 Watt (MH, HPS)mno                      |                |   |   |   |
| 4 | <b>Voltage*1</b>                                  |                |   |   |   |
|   | 0 = Quad - 120, 208, 240, 277V - 60Hz             |                |   |   |   |
|   | 5 = 480V  |                |   |   |   |
|   | 6 = Tri - 120, 277, 347V (for Canada only)        |                |   |   |   |
|   | 7 = 220V 60Hz                                     |                |   |   |   |
|   | 8 = 220/240V 50 Hz                                |                |   |   |   |
| 5 | <b>- 76 Series Constant</b> (7 x 6 optic pattern) |                |   |   |   |
| 6 | <b>Options</b>                                    |                |   |   |   |
|   | • NR - Ex nR Restricted Breathing (Ex nR II)      |                |   |   |   |
|   | • IR - Instant Restrike 150W HPS**                |                |   |   |   |
|   | • BP - 150 - 400 HPS**                            |                |   |   |   |
|   | • Fuse option 400W max. (not for Marine or CSA)   |                |   |   |   |
|   | F1 single 120V                                    | F5 double 480V |   |   |   |
|   | F2 double 208V                                    | F6 single 347V |   |   |   |
|   | F3 double 240V                                    | F7 double 220V |   |   |   |
|   | F4 single 277V                                    | F8 single 230V |   |   |   |
- 50Hz
- Photocell option (400W max.)  
P1 120V P2 208-277V P2 347V
  - Terminal Blocks  
TBx x=1-8 x = voltage code  
TBLx Lx=1-8 loopingx = voltage code
  - Lamps  
AS = Assembled Standard Lamp  
AD = Assembled Dual-Arc-Tube Lamp;  
150, 250, 400HPS only

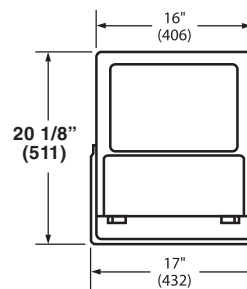
<sup>Ⓞ</sup> Not suitable for submersion or wave impact.  
<sup>Ⓞ</sup> MH175,250,400 are EXPORT ONLY (EISA LAW).  
<sup>Ⓞ</sup> Consult factory for other available voltage/lamp combinations.  
<sup>Ⓞ</sup> 1000 Watt fixture aiming angle limited to 45°-135° (no straight up or down) 1000 Watt fixtures are rated and listed for 40° ambient.  
<sup>Ⓞ</sup> Use Phillips C1000S52/ED37 11-1/2" lamp for 1000 HPS.

<sup>Ⓞ</sup> Use 11-1/2" BT37 lamp available from GE, Venture or Phillips (MH).  
<sup>Ⓞ</sup> NR suffix Restricted Breathing models provide lower T-codes - Requires sealed entry.  
<sup>Ⓞ</sup> Consult T-code chart for suitability.  
 T-Codes=>306 are suitable for Groups B,C,D only.  
 \*\* IR & BP cannot be ordered together.

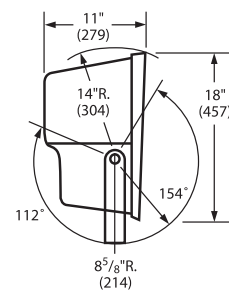


**Elevated Ambients to 55°C**

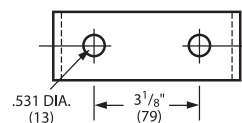
**Consult T-Code Chart for suitability.**



Front



Side



Trunnion Mounting Detail



# LIGHTING

## ORDERING INFORMATION • ACCESSORIES



KFS-6



KFCB



KFWB



K4040



4041

### ORDERING INFORMATION

MH, PULSE START ORDERING INFORMATION*			
CATALOG NUMBER	LAMP AND WATTAGE	VOLTS Ⓔ	BEAM SPREAD H° X V°
KFP150-76 KFP155-76	150 MHP M-102/142	QUAD 480	7 (145°) X 6 (114°)
KFP170-76 KFP175-76	175 MH M-137/152	QUAD 480	7 (145°) X 6 (114°)
KFP200-76 KFP205-76	200 MH M-136	QUAD 480	7 (145°) X 6 (114°)
KFP250-76 KFP255-76	250 MHP M-138	QUAD 480	7 (145°) X 6 (114°)
KFP320-76 KFP325-76	320 MHP M-132	QUAD 480	7 (145°) X 6 (114°)
KFP350-76 KFP355-76	350 MHP M-131	QUAD 480	7 (145°) X 6 (114°)
KFP400-76 KFP405-76	400 MHP M-135	QUAD 480	7 (145°) X 6 (114°)

KF MOUNTING ACCESSORIES ①	
CATALOG NUMBER	DESCRIPTION
KFS-6	Steel slipfitter for 2" pipe (2-3/8" o.d.) tenon. Slips 3.75" over pipe
KFCB	Heavy duty cast-iron crossarm fitting for horizontal trunnion
KFWB	Heavy duty wall mount and/or pipe clamp fitting Clamps 2" pipe (2-3/8" o.d.) thru 2-1/2" pipe (2-7/8" o.d.)
K4040	Heavy duty steel wall bracket. (Must use with KFCB crossarm fitting)
4041	Heavy duty steel wall bracket 2" pipe (2-3/8" o.d.) tenon fitting
KF-DOOR	Replacement Door & Lens assembly

① Fittings available to adapt trunnion mount floodlights to crossarms, poles and walls. Must be ordered separately.

HPS, MH, START ORDERING INFORMATION*				
CATALOG NUMBER	LAMP AND WATTAGE	VOLTS Ⓔ	BEAM SPREAD H° X V°	
KFS070-76 KFS075-76	70 HPS S-62	QUAD 480	7 (144°) X 6 (113°)	
KFS100-76 KFS105-76	100 HPS S-54	QUAD 480	7 (145°) X 6 (114°)	
KFS150-76 KFS155-76	150 HPS S-55	QUAD 480	7 (144°) X 6 (113°)	
KFS250-76 KFS255-76	250 HPS S-50	QUAD 480	7 (144°) X 6 (113°)	
KFS400-76 KFS405-76	400 HPS S-51	QUAD 480	7 (144°) X 6 (113°)	
KFS1000-76 KFS1005-76	1000 HPS S-52 ④⑤	QUAD 480	7 (130°) X 6 (114°)	
EXPORT ONLY	KFH170-76 KFH175-76	170 MH M-57	QUAD 480	7 (145°) X 6 (114°)
	KFH250-76 KFH255-76	250 MH M-58	QUAD 480	7 (145°) X 6 (114°)
	KFH400-76 KFH405-76	400 MH M-59	QUAD 480	7 (146°) X 6 (119°)
	KFH1000-76 KFH1005-76	1000 MH M-47 ④⑥	QUAD 480	7 (145°) X 6 (114°)

\* Consult T-Code Chart for hazardous location suitability.

Ⓔ Consult factory for other available voltages.

⑤ 1000 watt fixture aiming angle limited to 45°-135° (no straight up or down) 1000 watt fixtures are rated and listed for 40° ambient.

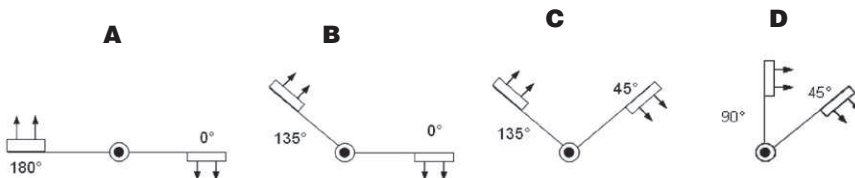
⑥ Use Philips C1000S52/ED37 11-1/2" lamp.



APPLICATION DATA • PHOTOMETRICS

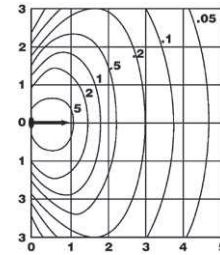
HAZARDOUS LOCATION APPLICATION DATA						
LUMINAIRE WATTAGE	AMBIENT	C1D2 T-CODE <sup>①</sup>	C1Z2NR T-CODE <sup>②</sup>	SUPPLY WIRE C°	AIMING RANGE & DIAGRAM <sup>③</sup>	
70W HPS	40C	T2B	T4	75	180° - 0°	A
	55C	T2B	T4	75	180° - 0°	A
	65C	T2B	T4	90	180° - 0°	A
100W HPS	40C	T2B	T4	75	180° - 0°	A
	55C	T2B	T4	75	180° - 0°	A
	65C	T2B	T4	91	180° - 0°	A
150W HPS	40C	T2B	T4	75	180° - 0°	A
	55C	T2B	T4	90	180° - 0°	A
	65C	T2B	T4	105	180° - 0°	A
250W HPS	40C	325C	T4	90	180° - 0°	A
	55C	325C	T3	105	180° - 0°	A
	65C	325C	T3	105	135° - 0°	B
400W HPS	40C	357C	T3	90	180° - 0°	A
	50C	363C	T3	105	135° - 0°	B
	55C	XXX	XXX	NA	XXX	NA
1000W HPS	40C	T1	T2	110	135°-45°	C
	55C	XXX	XXX	NA	XXX	NA
	65C	XXX	XXX	NA	XXX	NA
175MH	40C	350C	T4	90	180° - 0°	A
	55C	350C	T3	105	180° - 0°	A
	65C	325C	T4	105	135° - 45°	C
250W MH	40C	350C	T4	90	180° - 0°	A
	55C	350C	T3	105	180° - 0°	A
	65C	325C	T4	105	135° - 45°	C
400W MH	40C	325C	T3	105	135° - 0°	B
	55C	301C	T3	105	90° - 45°	D
	65C	XXX	XXX	NA	XXX	NA
1000W MH	40C	442C	T2	110	135°-45°	C
	55C	XXX	XXX	NA	XXX	NA
	65C	XXX	XXX	NA	XXX	NA
150W MHP	40C	325C	T4	90	180° - 0°	A
	55C	325C	T3	90	180° - 0°	A
	65C	325C	T3	105	180° - 0°	A
175W MHP	40C	325C	T4	90	180° - 0°	A
	55C	325C	T3	90	180° - 0°	A
	65C	325C	T4	105	180° - 0°	A
200W MHP	40C	325C	T4	90	180° - 0°	A
	55C	325C	T3	90	180° - 0°	A
	65C	325C	T5	105	180° - 0°	A
250W MHP	40C	350C	T3	90	180° - 0°	A
	55C	350C	T3	105	180° - 0°	A
	65C	XXX	XXX	NA	180° - 0°	NA
320W MHP	40C	366C	T3	90	180° - 0°	A
	55C	366C	T3	105	180° - 0°	A
	65C	XXX	XXX	NA	XXX	NA
350W MHP	40C	350C	T3	90	180° - 0°	A
	55C	350C	T3	105	135° - 45°	C
	65C	XXX	XXX	NA	XXX	XXX
400W MHP	40C	350C	T3	90	180° - 0°	A
	55C	325C	T3	105	135° - 45°	C
	65C	XXX	XXX	NA	XXX	XXX

Aiming Figures Based on Ambient & Lamp<sup>③</sup>



① Temperatures equal or higher than 306°C are suitable for Groups B,C,D only.  
 ② C1D2 NR Restricted Breathing requires Sealed Entry.  
 ③ Aiming angle limited by ambient temperature and lamp type - See Diagrams.

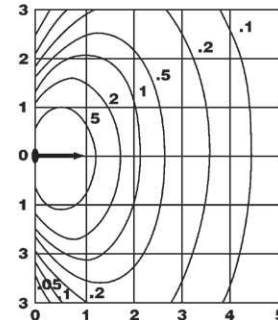
PHOTOMETRIC DATA  
KF SERIES



**KFH-XXX-76**

IES Type—7H x 6V (146° x 119°)  
 Source—Metal Halide (Clear) 34000 Lumens  
 Wattage—400 (ANSI M59)  
 For 250W MH multiply by .6  
 For 1000W MH multiply by 3.1  
 Mounting Height (Grid Value)—25 feet  
 Aiming Angle—45°  
 Test Number—HP-00738

CONVERSION CHART					
MOUNTING HEIGHT (FEET)	20	25	28	30	35
CORRECTION FACTOR	1.56	1	0.80	0.69	0.51



**KFS-XXX-76**

IES Type—7H x 6V (144° x 117°)  
 Source—High Pressure Sodium (Clear) 50000 Lumens  
 Wattage—400 (ANSI S51)  
 For 150W HPS multiply by .32  
 For 250W HPS multiply by .6  
 For 1000W HPS multiply by 2.5  
 Mounting Height (Grid Value)—25 feet  
 Aiming Angle—45°  
 Test Number—HP-00740

CONVERSION CHART					
MOUNTING HEIGHT (FEET)	23	25	30	35	40
CORRECTION FACTOR	1.18	1	0.69	0.51	0.39

① In converting to a different mounting height, multiply all footcandle values by the correction factor and convert the grid size to the mounting height selected. Example: to convert 25 foot to 30 foot mounting height, multiply all footcandle values by .69. (Grid now becomes 30 replacing 25). To convert footcandles to Lux, multiply values by 10.76. To convert feet to meters, divide values by 3.281.



# LIGHTING

**KFSS SERIES**



## MARINE FLOODLIGHTS, 150-400W HID



**Class I Div. 2, Groups A,B,C,D\***  
**AEx nR/Ex nR\*\***  
**Class I Zone 2, IIC, IIB, IIA\***

- UL 1598 HID Marine for Wet Locations  
UL 844 Hazardous Locations
- CSA C22.2 9.9-9.6 General Requirements  
CSA C22.2 137-M1981 Hazardous Locations  
CSA Enclosure type IP66/67

**ABS** Type Approval for Shipboard Use  
\* Consult temperature data table on next page to determine application suitability.

### FEATURES-SPECIFICATIONS



#### Applications

- Offshore production platforms
- Refineries
- Offshore drilling rigs and barges
- Ocean-going vessels
- Commercial fishing vessels
- Ports, wharfs and jetties
- Waste water and sewage treatment facilities
- Any type of washdown, corrosive, abrasive, or dirty environment.

#### Features and Benefits

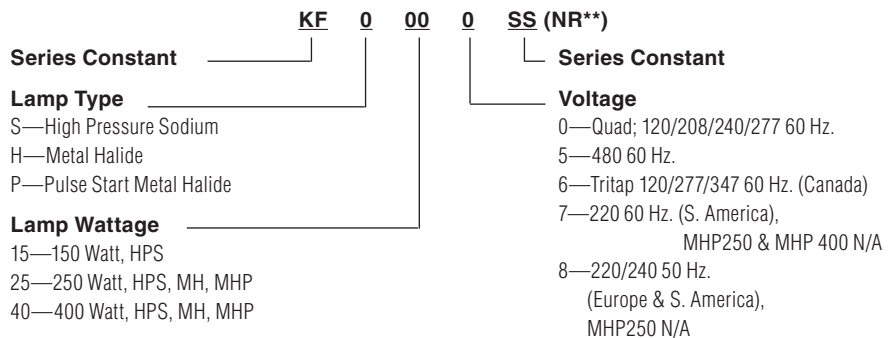
- Type 316 Stainless Steel Housing. 16-gauge housing ensures low corrosion and long life, reducing maintenance costs
- Rugged quick-release 316 SS Lens Latches. No hardware seizing on disassembly saves maintenance time and money. Only tool needed is a screwdriver
- 316 SS Safety Lens Door Chains. Enables hands-free safe re-lamping
- 316 SS Mounting Yoke Reliable and safe installation
- Highly efficient photometrics and excellent asymmetrical distribution. Photometrics above 85%. Minimizes the number of required fixtures to deliver desired light levels. Saves in energy costs
- Hot-dipped Galvanized Steel Mounting Accessories. Corrosion resistant in marine and corrosive environments, assuring reliable installation
- 316 SS 3/4" Conduit Hub. Maintains grounding continuity. Watertightseal. Corrosion resistant
- Silicone Gasketed Lens Door Frame. Provides watertight seal, protecting interior from moisture and corrosives

KFSS STAINLESS STEEL FLOOD LIGHTS			
CATALOG NUMBER	LAMP TYPE AND CIRCUIT	VOLTAGE	BEAM SPREAD H° X V°
<b>KFS150SS</b> <b>KFS156SS</b>	150 HPS S-55	120/208/240/277 @60Hz 120/277/347 @60 Hz	6 (118) x 6 (118)
<b>KFS250SS</b> <b>KFS256SS</b>	250 HPS S-50	120/208/240/277 @60Hz 120/277/347 @60 Hz	6 (118) x 6 (118)
<b>KFS400SS</b> <b>KFS406SS</b>	400 HPS S-51	120/208/240/277 @60Hz 120/277/347 @60 Hz	6 (118) x 6 (118)
<b>KFH250SS</b> <b>KFH256SS</b>	250 MH ① M-58	120/208/240/277 @60Hz 120/277/347 @60 Hz	6 (118) x 6 (118)
<b>KFP250SS</b> <b>KFP256SS</b>	250 MHP ② M-138	120/208/240/277 @60Hz 120/277/347 @60 Hz	6 (118) x 6 (118)
<b>KFH400SS</b> <b>KFH406SS</b>	400 MH ① M-59	120/208/240/277 @60Hz 120/277/347 @60 Hz	6 (118) x 6 (118)
<b>KFP400SS</b> <b>KFP406SS</b>	400 MHP ② M-135	120/208/240/277 @60Hz 120/277/347 @60 Hz	6 (118) x 6 (118)

① Mercury Vapor Lamps of the same wattage may be used if desired.  
② Use a Pulse Start Metal Halide Lamp rated for Horizontal Position.

KFSS ACCESSORIES	
CATALOG NUMBER	DESCRIPTION
<b>KFS-6G</b>	Steel slipfitter for 2" pipe (2-3/8" O.D.) tenon. Hot-dipped galvanized (bolts included)
<b>K4040G</b>	Steel wall/pole bracket. Hot-dipped galvanized (bolts included)
<b>KFCSBG</b>	Cross arm fitting for horizontal trunnion. Hot-dipped galvanized (bolts included)

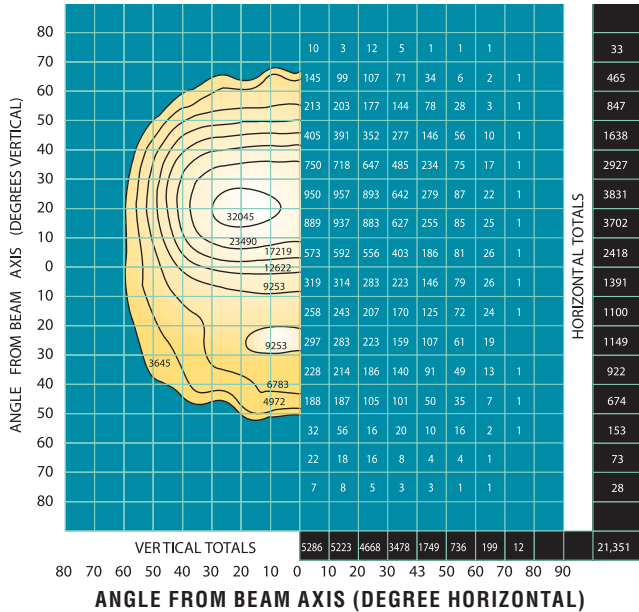
#### Catalog Number Logic





## MARINE FLOODLIGHTS

### AVERAGE OF RIGHT- LEFT SIDES ISO CANDELA CURVES LUMEN DISTRIBUTION



# MARIGARD®

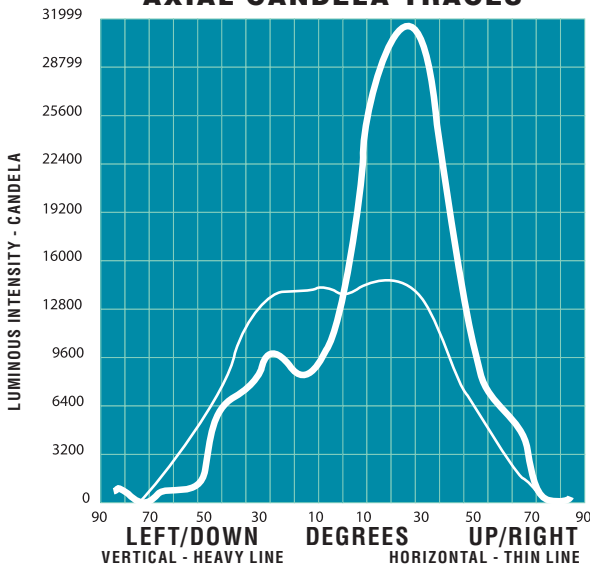
## MARINE FLOODLIGHTS

ANGLE FROM BEAM AXIS ( DEGREES HORIZONTAL )

**Test Number:** HP-07477      **Lumens:** 50,000  
**Source:** HPS                      **IES/NEMA Type:** 6H x 6V  
**Lamp:** ED-18                      **Maximum Beam Candlepower:** 36,447  
**Lamp Watts:** 400                  **Average Maximum Candlepower:** 32,045  
**LCL:** 5.75"                          **Total Efficiency:** 85.41%

	HORIZONTALLY	VERTICALLY	LUMENS	EFFICIENCY
BEAM	81.8	41.0	22,196	44.39%
FIELD	118.4	118.6	40,591	81.18%

### AXIAL CANDELA TRACES



### MARIGARD TEMPERATURE CODES

LAMP		RATED AMBIENT C°	CLASS 1 DIV. 2 TEMP. (CODE)	CLASS 1 ZONE 2 TEMP. (CODE)	EX NR	SUPPLY WIRE C°
TYPE	WATTAGE					
HPS	150	40	270°C (T2A)	270°C (T2)	T4	90°C
HPS	150	55	285°C (T2)	285°C (T2)	T4	90°C
HPS	150	65	295°C (T2)	295°C (T2)	T3	110°C
HPS	250	40	380°C (T1)	380°C (T1)	T3	90°C
HPS	250	55	395°C (T1)	395°C (T1)	T3	110°C
HPS	400	40	380°C (T1)	380°C (T1)	T3	110°C
MH-MHP-MV	250	40	365°C (T1)	365°C (T1)	T3	110°C
MH-MHP-MV	250	55	380°C (T1)	380°C (T1)	T2	110°C
MH-MHP-MV	400	40	365°C (T1)	365°C (T1)	T3	110°C

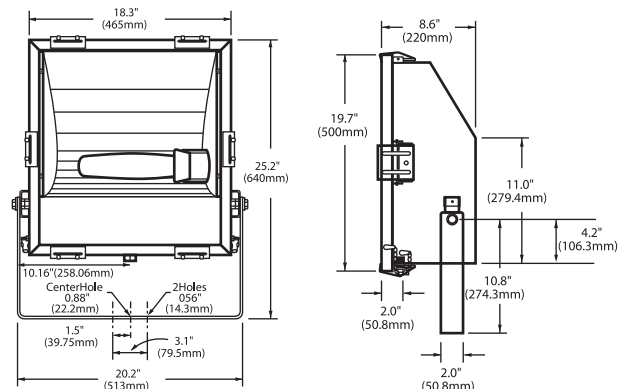
① Ex nR with NR adder. Allows lower T-CODE approvals through the use of sealed cable entrance fittings. See fittings section or select other gland/connector as appropriate for type of cable used.



Rugged yet easy-to-open 316 SS Latches require no special tools!



Two 316 SS Lens Chains allow for hands-free maintenance!





## WALLPACK, 70-175W HID

Class I, Div. 2, Groups A,B,C,D  
Class I, Zone 2, Groups IIC, IIB, IIA  
NEMA 4X



Wall Pack Luminaires

### FEATURES-SPECIFICATIONS



#### Applications

KWP Wall Luminaires are ideally suited for applications requiring a pleasing aesthetic appearance or hazardous location suitability in a compact energy saving fixture. Units are of copper-free aluminum construction for cool operation with a bronze electrostatically applied powder-coat finish. Suitable for locations such as perimeter security lighting, parking areas, factories and parking garages.

#### Features

- Aluminum with Bronze finish 1/2" hub on either side for conduit entry
- Mogul Porcelain Socket
- Reflector is specular aluminum precision formed for optimal performance
- Suitability for 40°C ambient, 90°C supply wire required
- Lens thermal shock and impact resistant prismatic borosilicate glass
- Full front access available for lamp or ballast service by hinging front door
- Two Hubbell Guard® Corrosion resistant hex head fasteners provide water-tight seal for door gasket
- Options include: factory installed photo cells, fusing, instant restrike, ballast protector and lamps

#### Compliances

- UL 1598 Standard for Luminaires
- UL 844 Standard for lighting fixtures for hazardous locations
- CSA C22 no. 137-M1981 electric luminaires for use in hazardous locations
- Enclosed and gasketed
- NEMA 3, 4X

### Catalog Logic

KWP	P	15	0	P1
1	2	3	4	5

- KWP - Series Constant** (Wallpack)
- Lamp Type**  
S = High Pressure Sodium  
H = Metal Halide  
P = Metal Halide Pulse
- Wattage**  
05 = 50 Watt HPS  
07 = 70 Watt (HPS, MH)  
10 = 100 Watt (HPS, MH)  
15 = 150 Watt (HPS, MHP)  
17 = 175 Watt (MH, MHP)
- Voltage**  
0 = 120, 208, 240, 277V @ 60Hz (QUAD)  
5 = 480 @60Hz  
6 = 120, 277, 347 @ 60Hz (for Canada)  
7 = 220 @ 60Hz  
8 = 220/240V @ 50Hz
- Options**  
**FUSING** - (Not for Canada or Marine applications)  
F1 single 120V 60Hz F5 double 480V 60Hz  
F2 double 208V 60Hz F6 single 347V 60Hz  
F3 double 240V 60Hz F7 double 220V 60Hz  
F4 single 277V 60Hz F8 single 230V 50Hz  
**Photocells** (Factory installed)  
P1 120V  
P2 208-277V (field connection to correct ballast tap)  
P3 347V  
**Other Options**  
IR Instant Restrike HPS to 150w - not available with BP  
BP Ballast Protector HPS - Not available with IR  
Terminal Blocks                      Assembly with Lamps  
TBx x=1-8                              AS Standard lamp  
TBLx x=1-8 looping                AD Dual-Arc-Tube (70-150 HPS)

See VM HID Ballast Table for current data



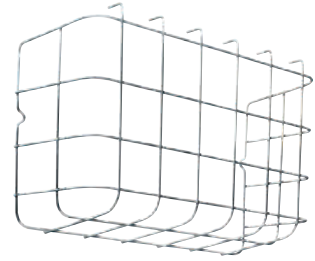
## WALLPACK, 70-175W HID



Glare Shield



Clear Shield



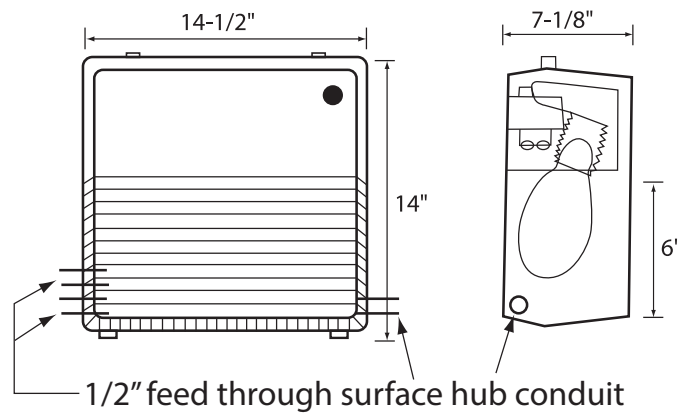
Wire Guard

### ORDERING INFORMATION

HPS, MH, MHP ORDERING INFORMATION*			
CATALOG NUMBER	LAMP TYPE	VOLTAGE ①	T-CODE AT 40°C
KWPS050	50 HPS	QUAD	2150C
	S-68	480	(T2D)
KWPS070	70 HPS	QUAD	2150C
	S-62	480	(T2D)
KWPS100	100 HPS	QUAD	2150C
	S-54	480	(T2D)
KWPS150	150 HPS	QUAD	2600C
	S-55	480	(T2B)
KWPH070	70 MH	QUAD	2000C
	M-98	480	(T3)
KWPH100	100 MH	QUAD	2000C
	M-90	480	(T3)
EXPORT ONLY	KWPH170	175 MH	2600C
	KWPH175	M-57	480 (T2B)
EISA	KWPP150	150 MHP	2600C
	KWPP155	M102/142	480 (T2B)
	KWPP170	175 MHP	2600C
	KWPP175	M137/152	480 (T2B)

KWP ACCESSORIES	
CATALOG NUMBER	DESCRIPTION
PGPS	Clear Shield (Polycarbonate) for Protecting Lens
PGWG	Wire Guard, Cadmium Plated Steel
PVLV	Glare Shield Full Cutoff Visor - Formed Bronze Aluminum Forces light to Walkway
KWPLENS	Replacement Door and Lens

① For other voltages, see logic.



### Photo Cell Field Kits for Harsh NEMA 4X and Class I, Div. 2 Locations\*

PHOTO CELL FIELD KITS ①	
CATALOG NUMBER	VOLTS
VMFSPC1	120VAC
VMFSPC2	208-277VAC
VMFSPC3	347VAC



Order single gang FS back box separately.

Can be used to control several luminaires.

\* 40°C ambient max. T3 to 400W max.

① Includes factory drilled FSBC cover and gasket.



# LIGHTING

## HID FLOODLIGHT FIXTURES



Shown with optional VMPSD40 reflector

**Class I, Div. 1 & 2, Groups C,D**  
**Class I, Zones 1 & 2, Groups IIB,IIA**  
**NEMA 3, 4, 4X, 7(C,D)**  
**Marine**  
**Factory Sealed**

LISTED - file E10514

CSA LR11713

### FEATURES-SPECIFICATIONS

#### Applications

HOSTILE/LITE® EZ series trunnion mount luminaires provide directional lighting in both vertical and horizontal planes when used with floodlight mounting hardware.

Typical applications include refineries, drilling rigs and platforms, loading docks, bulk fuel loading terminals, and pipeline pumping stations.

#### Features

- Three light sources
  - » High Pressure Sodium (50-400W)
  - » Metal Halide (70-400)
  - » Metal Halide Pulse (175-400)

- Trunnion mounted—Trunnion yoke of 316 grade stainless steel attaches via mounting blocks to fixture ballast housing
- Factory sealed—No external seal needed
- Corrosion resistant—Fixture of copper-free aluminum die cast construction. Baked powder epoxy finish, electro-statically applied. Exposed hardware of 316 grade stainless steel
- Accessories—Guards, reflectors and mounting hardware available. Must be ordered separately, see illustration
- Mounting method—See page L180 for typical installation using mounting accessories

#### Compliances

- UL-844 Electric Lighting Fixtures for use in Hazardous Locations
- UL-1598 Standard for HID Lighting Fixtures
- CSA C22.2 no. 137-M1981 Electric Luminaires for use in Hazardous Locations
- NEMA 3, 4, 4X, 7CD

EZ HAZARDOUS LOCATION APPLICATION DATA									
FIXTURE SERIES	LAMP TYPE	LAMP WATTS	SUITABLE AMBIENT °C	SUPPLY WIRE MIN. °C	CLASS I, DIV. 1 & 2 ① MAX. SURFACE TEMP.		TYPE 3 (RAINTIGHT)	TYPE 4 (HOSEDOWN)	TYPE 4X (CORROSION RESISTANT)
					TEMP. I.D. (ACTUAL TEMP.)	GROUPS			
EZS	HPS	50	40	85	T4 (135°C)	C,D	YES	YES	YES
EZS	HPS	70	40	85	T4 (135°C)	C,D	YES	YES	YES
EZS	HPS	100	40	85	T4 (135°C)	C,D	YES	YES	YES
EZS	HPS	150	40	85	T4 (135°C)	C,D	YES	YES	YES
EZS	HPS	250	40	85	T3C (160°C)	C,D	YES	YES	YES
EZS	HPS	400	40	85	T3 (200°C)	C,D	YES	YES	YES
EZH	MH	70	40	85	T4A (120°C)	C,D	YES	YES	YES
EZH	MH	100	40	85	T4A (120°C)	C,D	YES	YES	YES
EZH	MH	175 ②	40	85	T3B (165°C)	C,D	YES	YES	YES
EZH	MH	250 ②	40	85	T3A (180°C)	C,D	YES	YES	YES
EZH	MH	400 ②	40	85	T2D (215°C)	C,D	YES	YES	YES
EZP	MHP	175/200	40	85	T3C (160°C)	C,D	YES	YES	YES
EZP	MHP	250/320	40	85	T3 (200°C)	C,D	YES	YES	YES
EZP	MHP	350/400	40	85	T2D (215°C)	C,D	YES	YES	YES

① T-Code with or without reflector.

② EXPORT ONLY (EISA LAW).



## HID FLOODLIGHT FIXTURES



Shown with optional VMPSD40 reflector ③

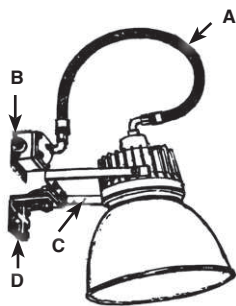
**Class I, Div. 1 & 2, Groups C,D**  
**Class I, Zones 1 & 2, Groups IIB,IIA**  
**NEMA 3, 4, 4X, 7(C,D)**  
**Factory Sealed**



### FEATURES-SPECIFICATIONS

#### Installation Method

Typical EZ Series trunnion mounted luminaire using conduit hardware.

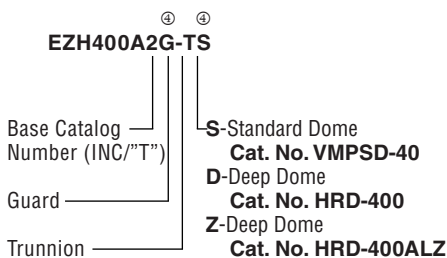


- A.** Flexible coupling. See page L220 for EKJ series
- B.** Splice box. See page L2221 for JL/JAL series
- C.** Trunnion yoke supplied with EZ-T series floodlight fixture
- D.** Mounting accessory wall mount (KFWB) shown. See page L175 for this and other fittings available to adapt trunnion mount floodlights to crossarms, poles or walls

EZ 50 – 400W HPS FLOODLIGHTS ①②③				
WATTS	ANSI LAMP TYPE	VOLTAGE @60 HERTZ	HUB SIZE	CATALOG NUMBER
50 HPS	S-68	120, 208, 240, 277	3/4" ①	EZS050A2-T
70 HPS	S-62	120, 208, 240, 277		EZS070A2-T
100 HPS	S-54	120, 208, 240, 277		EZS100A2-T
150 HPS	S-55	120, 208, 240, 277		EZS150A2-T
250 HPS	S-50	120, 208, 240, 277		EZS250A2-T
400 HPS	S-51	120, 208, 240, 277		EZS400A2-T

EZ 70 – 400W MH FLOODLIGHTS ①②③				
WATTS	ANSI LAMP TYPE	VOLTAGE @60 HERTZ	HUB SIZE	CATALOG NUMBER
70 MH	M-98	120, 208, 240, 277	3/4" ①	EZH070A2-T
100 MH	M-90	120, 208, 240, 277		EZH100A2-T
175 MH ⑥	M-57	120, 208, 240, 277		EZH170A2-T
250 MH ⑥	M-58	120, 208, 240, 277		EZH250A2-T
400 MH ⑥	M-59	120, 208, 240, 277		EZH400A2-T

EZ 175-400 W MH PULSE FLOODLIGHTS ①②③				
WATTS	ANSI LAMP TYPE	VOLTAGE @60 HERTZ	HUB SIZE	CATALOG NUMBER
175 MHP	M-137/M-152	120, 208, 240, 277	3/4" ①	EZP170A2-T
200 MHP	M-136	120, 208, 240, 277		EZP200A2-T
250 MHP	M-138/M153	120, 208, 240, 277		EZP250A2-T
320 MHP	M-132/M154	120, 208, 240, 277		EZP320A2-T
350 MHP	M-131	120, 208, 240, 277		EZP350A2-T
400 MHP	M-135/M155	120, 208, 240, 277		EZP400A2-T



① Luminaire catalog numbers provide for a single 3/4" NPT flexible conduit connection only. For 1" NPT conduit connection, substitute "3" for "2" in catalog number; example: EZS050A3-T.

② Consult page L158 for other available voltage.

③ Accessories may be ordered with fixture as a single catalog number with the following logic. Components shipped separately.

④ Optional Accessory.

⑥ EXPORT ONLY (EISA LAW).

EZ ACCESSORIES ③		
CATALOG NUMBER	DESCRIPTION	
EZG1	HPS 50-150 MH 175-250 MV 100-250	Guard
VMAG40S	HPS 250-400 MH, MV 400	
VMPSD40	Standard dome	Reflector
HRD400	Deep dome white	
HRD400ALZ	Deep dome*	

\* Specular anodized finish.



# LIGHTING

## NON-METALLIC CORROSION RESISTANT HAZARDOUS FIXTURES



Pendant Incandescent



Pendant Fluorescent



Ceiling Incandescent



Ceiling Fluorescent

**Class I, Div. 2, Groups A,B,C,D**  
**Class I, Zone 2, Groups IIC,IIB,IIA**  
**Class II, Div. 2, Groups F,G**  
**Class III**  
**UL Marine Rated (US only)**  
**NEMA 3, 4, 4X, IP66**

Certified - File LR11713

**ABS Type Approval**

to the following standards:

- UL 1598 Standard for luminaires
- UL 1598A Marine type luminaires
- UL 844 Standard for lighting fixtures for hazardous locations
- CSA C22.2 no. 137-M1981 electric luminaires for use in hazardous locations
- Enclosed and gasketed
- NEMA 3, 4X, IP66

### FEATURES - SPECIFICATIONS

## ENVIORITE® II

#### Applications

Designed specifically for corrosive & wet NEMA 4X and hazardous environments.

Typical applications include manufacturing plants, chemical and petrochemical processing facilities, sewage treatment plants, off-shore and dockside installations, agricultural, commercial/industrial, mining and marine facilities.

#### Features

- NV2 Series non-metallic light fixtures combine an outstanding balance of strength, stiffness, toughness and electrical properties
- Energy and labor saving fluorescent or incandescent models
- Accessories include polycarbonate dome reflectors and wall extension
- Molded from 30% glass-filled thermoset polyester for high strength
- Resists corrosive effects of most chemicals, hydrocarbons and solvents
- Designed for indoor and outdoor, globe down applications.

PENDANT 3/4" FIXTURE W/CLEAR GLOBE & GUARD		
TYPE	STANDARD GLOBE	TEMPERED GLOBE
15 W Incan.	NV2IG15ASG	NV2IG15AHG
13 W Fluor.	NV2FG13ASG	NV2FG13AHG
18 W Fluor.	NV2FG18ASG	NV2FG18AHG
26 W Fluor.	NV2FG26ASG	NV2FG26AHG
32 W Fluor.	NV2FG32ASG	NV2FG32AHG
42 W Fluor.	NV2FG42ASG	NV2FG42AHG

CEILING 3/4" FIXTURE W/CLEAR GLOBE & GUARD*		
TYPE	STANDARD GLOBE	TEMPERED GLOBE
150 W Incan.	NV2IG15XSG	NV2IG15XHG
13 W Fluor.	NV2FG13XSG	NV2FG13XHG
18 W Fluor.	NV2FG18XSG	NV2FG18XHG
26 W Fluor.	NV2FG26XSG	NV2FG26XHG
32 W Fluor.	NV2FG32XSG	NV2FG32XHG
42 W Fluor.	NV2FG42XSG	NV2FG42XHG

WALL 3/4" FIXTURE W/CLEAR GLOBE & GUARD*		
TYPE	STANDARD GLOBE	TEMPERED GLOBE
150 W Incan.	NV2IG15BSG	NV2IG15BHG
13 W Fluor.	NV2FG13BSG	NV2FG13BHG
18 W Fluor.	NV2FG18BSG	NV2FG18BHG
26 W Fluor.	NV2FG26BSG	NV2FG26BHG
32 W Fluor.	NV2FG32BSG	NV2FG32BHG
42 W Fluor.	NV2FG42BSG	NV2FG42BHG

\*Notes:

Tempered Globes are required for Wet Location applications

All assemblies are unit packed with required components (not assembled)

Fluorescent unit pack models (only) include the lamp Reflector is sold separately. For wall mounting with reflector, the NVEXTG extension is required and sold separately

Fluorescent models use "world voltage" ballasts for 120VAC through 277VAC 50/60Hz applications Incandescent models 277VAC max.

For M20 ceiling units change "X" in part # to "M". For wall units change "B" to "W".

M20 Pendant not available.

\* Incandescent lamp bulb size A

#### Colored Globe Options\*\*

Example: NV2IG15ASG-R for Ruby Standard Globe or NV2IG15AHG-R for Ruby Tempered Globe

SUFFIX AND AVAILABLE COMBINATIONS		
COLOR	STANDARD GLOBE	TEMPERED GLOBE
Amber	A	A
Blue	B	BG
Ruby	R	R
Green	G	NA
Purple	P	NA
Blue-Green	BG	BG

\*\*Tempered globes are required for wet locations.

T-CODES @ 40°C MAX; WITH OR WITHOUT REFLECTOR						
GLOBE TYPE	CLASS II DIV.2		CLASS II DIV.2		MINIMUM START	
	CLEAR	COLOR	CLEAR	COLOR	°C	°F
75 W	T2C	T2B	T3C	-	-	-
100 W	T2A	T2	T3C	-	-	-
150 W	T2B	T2	-	-	-	-
13 Fluor	T3C	T3C	T4A	T4A	-20	-4
18 Fluor	T3C	T3C	T4A	T4A	-20	-4
26 Fluor	T3B	T3A	T4A	T4A	-20	-4
32 Fluor	T3B	T3A	T4A	T4A	-20	-4
42 Fluor	T2D	T2C	T4A	T4A	-20	-4

Min. supply wire Fluor. 60°C, Incan. 90°C

FLUORESCENT OPERATING MAX. AMPS		
TYPE	120 VAC	277 VAC
13W Fluor	0.144	0.067
18W Fluor	0.158	0.073
26W Fluor	0.22	0.097
32W Fluor	0.285	0.128
42W Fluor	0.38	0.166



## NON-METALLIC CORROSION RESISTANT HAZARDOUS FIXTURES



Wall Mount Incandescent



Wall Mount Fluorescent



Wall Mount with Extension and Dome Reflector accessories

Class I, Div. 2, Groups A,B,C,D  
 Class I, Zone 2, Groups IIC,IIB,IIA  
 Class II, Div. 2, Groups F,G  
 Class III  
 UL Marine Rated (US only)  
 NEMA 3, 4, 4X, IP66

CSIP<sup>®</sup> US Certified - File LR11713

**ABS Type Approval**

### COMPONENT PARTS



Pendent



Ceiling/Wall



Wall Elbow



Ceiling/Wall Interior Detail



Incandescent



Fluorescent



Globe



Guard



Reflector



Extension



Gray Blank



Clear

NV2 SPLICE BOXES - INCLUDES SILICONE GASKETS & BRASS SCREWS			
CATALOG NUMBER	DESCRIPTION		
NV2AG	Pendant	3/4" NPT	Pendant splice box includes a 316 stainless steel set screw at the conduit connection
NV2XG <sup>Ⓞ</sup>	Ceiling Box	3/4" NPT	Ceiling box vol. 24 cu. inches
NV2MG <sup>Ⓞ</sup>		M20	
NV2BG	Wall Bracket		Use with NV2XG or NV2MG for wall mount

NV2 BODIES	
CATALOG NUMBER	DESCRIPTION
NV2IG15	Incandescent Body with E-26 medium base socket; fixture rated voltage 277VAC max.
NV2FG13	13 W Fluorescent Body World Voltage 120V - 277V 50/60Hz
NV2FG18	18 W Fluorescent Body World Voltage 120V - 277V 50/60Hz
NV2FG26	26 W Fluorescent Body World Voltage 120V - 277V 50/60Hz
NV2FG32	32 W Fluorescent Body World Voltage 120V - 277V 50/60Hz
NV2FG42	42 W Fluorescent Body World Voltage 120V - 277V 50/60Hz

NV2 GLASS GLOBES & GUARDS K		
CATALOG NUMBER	DESCRIPTION	
VCG-100	Clear	150 watt Lamp size A-21 max.
VCGP-100	Clear, Tempered	
NV2GG		Guard

NV2 REFLECTORS AND EXTENSION	
CATALOG NUMBER	DESCRIPTION
NVPSD12	White Polycarbonate Reflector (secured by guard)
NVEXTG	Extension (for wall mount fixture with reflector)

BLANK COVERS FOR NV2 XG CEILING BOXES	
CATALOG NUMBER	DESCRIPTION
NV2CG	Gray Cover
NV2CC <sup>Ⓞ</sup>	Clear Cover

NV2 F FLUORESCENT REPLACEMENT LAMPS AND BALLASTS		
CATALOG NUMBER	DESCRIPTION	
MQL13	13 W Quad-Pin Lamp 900 Lumens	BKF131830 13/18 WATT REP. BALLAST
MQL18	18 W Quad-Pin Lamp 1200 Lumens	
MQL26	26 W Quad-Pin Lamp 1800 Lumens	
MQL32	32 W Quad-Pin Lamp 2400 Lumens	
MQL42	42 W Quad-Pin Lamp 3200 Lumens	BKF26324230 26/32/42 WATT REP. BALLAST

<sup>Ⓞ</sup> NV2 ceiling (wall) boxes have 4 10-32 brass inserts with 2 ground screws. May be used for wet locations, as terminal/junction, boxes, or instruments using 'clear' blank cover.

<sup>Ⓞ</sup> Use tempered globes for wet locations.



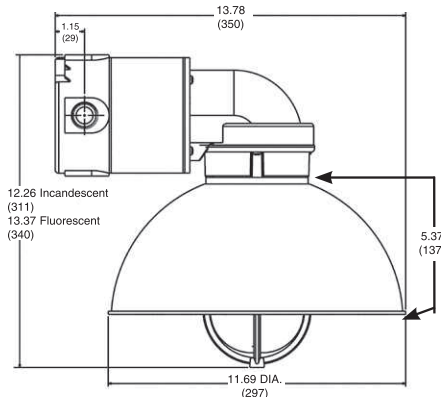
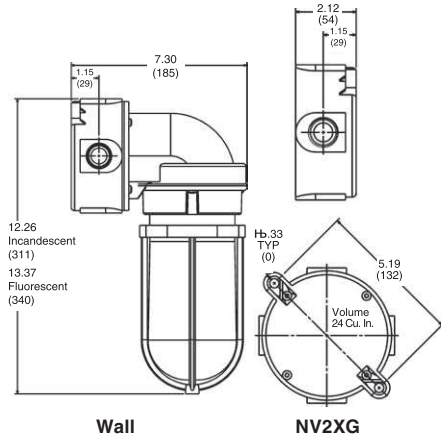
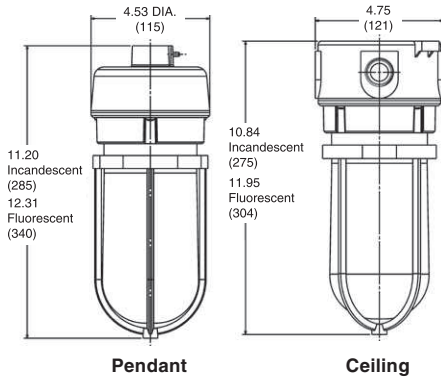
# LIGHTING



## NV2 SERIES

### DIMENSIONS, CROSS REFERENCE, PHOTOMETRIC DATA

#### DIMENSIONS\*



Wall mount with optional reflector and with extension. Extension required only for wall mount units using reflector.

\* NOTE: Dimensional diagrams show incandescent models, but include height also for fluorescent.

#### NV TO NV2 CROSS REFERENCE

OLD	NEW#	NEW DESCRIPTION
<b>Complete Fixtures</b>		
NVA15GG	NV2IG15ASG	INC 150W PEND STD GLOBE/GRD
NVA15GHG	NV2IG15AHG	INC 150W PEND TEMPER GLB/GRD
NVX15GG	NV2IG15XSG	INC 150W CEIL STD GLOBE/GRD
NVX15GHG	NV2IG15XHG	INC 150W CEIL TEMPER GLB/GRD
NVB15GG	NV2IG15BSG	INC 150W WALL STD GLOBE/GRD
NVB15GHG	NV2IG15BHG	INC 150W WALL TEMPER GLB/GRD
NVQA18GG	NV2FG18ASG	FL18 120-277 PEND STD GLOB/GRD
NVQA18GHG	NV2FG18AHG	FL18 120-277 PEND TEM GLOB/GRD
NVQX18GG	NV2FG18XSG	FL18 120-277 CEIL STD GLOB/GRD
NVQX18GHG	NV2FG18XHG	FL18 120-277 CEIL TEM GLB/GRD
NVQB18GG	NV2FG18BSG	FL18 120-277 WALL STD GLOB/GRD
NVQB18GHG	NV2FG18BHG	FL18 120-277 WALL TEM GLOB/GRD

#### Components

NVA	NV2AG	3/4" Pendant
NVX	NV2XG	3/4" Ceiling (Wall) Box
NVB	NV2BG	Elbow, use with Ceiling Box
NVQFC	NV2FG18	Fluorescent Body 120-277VAC 50/60Hz
NVQFC184	NV2FG18	Fluorescent Body 120-277VAC 50/60Hz
NVFC	NV2IG15	Incandescent Body
NVFC-LT	NV2IG15	Incandescent Body
NVG	NV2GG	Guard
NVQ-18	MQL18	18W Compact Fluor. Lamp
NVBC	NV2CG	Blank Cover w/Two Gaskets
NVSG	NV2CG	Use Blank Cover's extra gasket

① "4" for 277VAC Fluorescent no longer required  
 ② Insulated socket incandescent no longer needed for 90c wire

#### Key New Features:

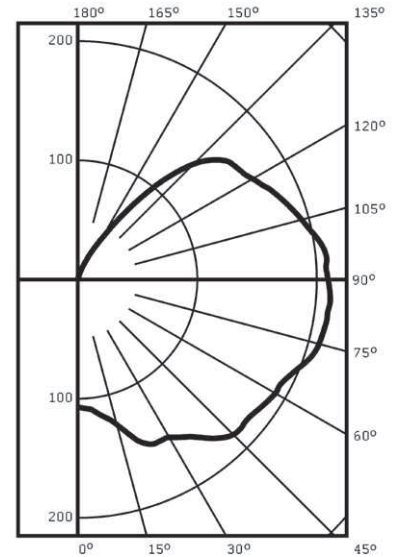
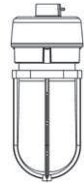
- Certified for Hostile Locations: Class I Div 2; Class II Div 2; N4X; IP66
- ABS Approval
- 120-277VAC 50/60Hz World Voltage Ballasts on Fluorescents
- Four new Fluorescent Wattages: 13, 26, 32, 42
- Only 90° C wire for Incandescent suitable for Marine with 150A
- New Dome Reflector
- Colored "100" Series globes can be ordered in assemblies
- M20 Metric ceiling/wall box
- Four 10-32 bosses in ceiling box for user applications
- Clear Blank covers available for user applications

#### Backward Compatibility:

- NVG & NV2GG are interchangeable
- Globes are interchangeable
- Old NV Incandescent and Fluorescent bodies will fit new NV2 Boxes and Elbow, but assembly is Wet Location listed only
- New NV2IG15 Incandescent will fit old NV Boxes and Elbow
- New NV2FGx Fluorescent will fit old NVX box, not pendant or elbow
- Reflectors will fit old bodies for pendant or ceiling applications

#### PHOTOMETRICS

**NV2IG15 Incandescent**  
 With Globe & Guard  
**Candlepower - 150 Watt**  
 A-21 lamp 2850 lumens  
 For 75 Watt multiply by .42  
 For 100 Watt multiply by .61



ZONE	LUMEN	SUMMARY	%LAMP	%FIXT
0- 30	117	4.1	5.6	
0- 40	219	7.7	10.5	
0- 60	528	18.5	25.3	
0- 90	1172	41.1	56.1	
90-120	608	21.3	29.1	
90-130	754	26.5	36.1	
90-150	903	31.7	43.3	
90-180	915	32.1	43.9	
0-180	2087	73.2	100.0	

TOTAL LUMINAIRE EFFICIENCY = 73.2 %

COEFFICIENTS OF UTILIZATION - ZONAL CAVITY METHOD						
% EFFECTIVE FLOOR CAVITY REFLECTANCE	20%					0
	80	70	50	30	10	0
% WALL REFLECTANCE	70 50 30 10	70 50 30 10	50 30 10	50 30 10	50 30 10	0
	70 50 30 10	70 50 30 10	50 30 10	50 30 10	50 30 10	0
ROOM CAVITY RATIO RCRW	20% Effective Floor Cavity Reflectance					
	0	.79 .79 .79 .79	.74 .74 .74 .74	.64 .64 .64	.54 .54 .54	.45 .45 .45
1	.69 .64 .59 .55	.63 .59 .55 .51	.50 .47 .44	.41 .39 .37	.34 .32 .30	.26
2	.61 .53 .47 .42	.56 .49 .44 .39	.41 .37 .33	.34 .31 .28	.27 .25 .23	.19
3	.55 .46 .39 .33	.50 .42 .36 .31	.35 .30 .26	.29 .25 .22	.23 .20 .18	.14
4	.49 .40 .33 .27	.45 .37 .30 .25	.31 .26 .21	.25 .21 .18	.20 .17 .14	.11
5	.45 .35 .28 .23	.41 .23 .26 .21	.27 .22 .18	.22 .18 .15	.18 .14 .12	.09
6	.41 .31 .24 .19	.38 .29 .22 .18	.24 .19 .15	.20 .16 .12	.16 .12 .10	.08
7	.38 .28 .21 .16	.35 .26 .20 .15	.22 .17 .13	.18 .14 .11	.14 .11 .08	.06
8	.35 .25 .19 .14	.32 .23 .17 .13	.20 .15 .11	.16 .12 .09	.13 .10 .07	.06
9	.33 .23 .17 .12	.30 .21 .15 .12	.18 .13 .10	.15 .11 .08	.12 .09 .06	.05
10	.30 .21 .15 .11	.28 .19 .14 .10	.16 .12 .09	.14 .10 .07	.11 .08 .06	.04

SPACING CRITERION = 2.3  
 TEST NO. 1716



## INCANDESCENT COPPER-FREE ALUMINUM FIXTURES



Enclosed & Gasketed

UL LISTED - File E27731

SP Certified - File LR11851

### INTRODUCTION AND ORDERING INFORMATION

#### V Series

Enclosed & Gasketed

#### Applications

- Locations requiring durable, protected lighting fixtures
- Wet and dirt laden locations
- Industrial environments requiring enclosed and gasketed (vapor tight) fixtures
- Fixtures intended for base-up mounting
- Heat resistant glass globes recommended for wet locations

#### Features

- Electrostatically applied epoxy/polyester finish
- Modular design
- Hubs are threaded for attachment to conduit
- Set screws in pendant fixture
- Copper-free aluminum (less than .004%)



PENDANT MOUNT WITH VGA SPLICE BOX/DANT								
FIXTURE TYPE	LAMP WATT	HUB SIZE	CATALOG NUMBER		CONSISTS OF			
			FIXTURE W/ GLOBE	FIXTURE W/ GLOBE & GUARD	MOUNTING BOX	FIXTURE BODY	CLEAR GLOBE*	GUARD (if selected)
100	150	1/2"	VUAG-1-100Ⓢ	VUAGG-1-100Ⓢ	VGA-1	VFC-100	VCG-100	VAG-100
		3/4"	VUAG-2-100Ⓢ	VUAGG-2-100Ⓢ	VGA-2	VFC-100	VCG-100	VAG-100
200	300	1/2"	VUAG-1-200Ⓢ	VUAGG-1-200Ⓢ	VGA-1	VFC-200	VCG-200	VAG-200
		3/4"	VUAG-2-200Ⓢ	VUAGG-2-200Ⓢ	VGA-2	VFC-200	VCG-200	VAG-200

CEILING MOUNT WITH FEET USING VBC SPLICE BOX AND VBA ADAPTER								
FIXTURE TYPE	LAMP WATT	HUB SIZE	CATALOG NUMBER		CONSISTS OF			
			FIXTURE W/ GLOBE	FIXTURE W/ GLOBE & GUARD	MOUNTING BOX/ ADAPTER	FIXTURE BODY	CLEAR GLOBE*	GUARD (if selected)
100	150	1/2"	VUXG-1-100Ⓢ	VUXGG-1-100Ⓢ	VBC-1 + VBA	VFC-100	VCG-100	VAG-100
		3/4"	VUXG-2-100Ⓢ	VUXGG-2-100Ⓢ	VBC-2 + VBA	VFC-100	VCG-100	VAG-100
200	300	1/2"	VUXG-1-200Ⓢ	VUXGG-1-200Ⓢ	VBC-1 + VBA	VFC-200	VCG-200	VAG-200
		3/4"	VUXG-2-200Ⓢ	VUXGG-2-200Ⓢ	VBC-2 + VBA	VFC-200	VCG-200	VAG-200

CEILING MOUNT WITH VGX SPLICE BOX								
FIXTURE TYPE	LAMP WATT	HUB SIZE	CATALOG NUMBER		CONSISTS OF			
			FIXTURE W/ GLOBE	FIXTURE W/ GLOBE & GUARD	MOUNTING BOX	FIXTURE BODY	CLEAR GLOBE*	GUARD (if selected)
100	150	1/2"	VUXG-1-100Ⓢ	VUXGG-1-100Ⓢ	VGX-1	VFC-100	VCG-100	VAG-100
		3/4"	VUXG-2-100Ⓢ	VUXGG-2-100Ⓢ	VGX-2	VFC-100	VCG-100	VAG-100
200	300	1/2"	VUXG-1-200Ⓢ	VUXGG-1-200Ⓢ	VGX-1	VFC-200	VCG-200	VAG-200
		3/4"	VUXG-2-200Ⓢ	VUXGG-2-200Ⓢ	VGX-2	VFC-200	VCG-200	VAG-200

CEILING MOUNT WITH VGC SPLICE BOX - FEED THROUGH								
FIXTURE TYPE	LAMP WATT	HUB SIZE	CATALOG NUMBER		CONSISTS OF			
			FIXTURE W/ GLOBE	FIXTURE W/ GLOBE & GUARD	MOUNTING BOX	FIXTURE BODY	CLEAR GLOBE*	GUARD (if selected)
100	150	1/2"	VUXG-1-100Ⓢ	VUXGG-1-100Ⓢ	VGC-1	VFC-100	VCG-100	VAG-100
		3/4"	VUXG-2-100Ⓢ	VUXGG-2-100Ⓢ	VGC-2	VFC-100	VCG-100	VAG-100
200	300	1/2"	VUXG-1-200Ⓢ	VUXGG-1-200Ⓢ	VGC-1	VFC-200	VCG-200	VAG-200
		3/4"	VUXG-2-200Ⓢ	VUXGG-2-200Ⓢ	VGC-2	VFC-200	VCG-200	VAG-200

\* For other colors, order globes and fixture components separately.

Ⓢ Fixture supplied as component unit pack when ordered by this catalog number.

Ⓢ Catalog number for ordering convenience; fixture is shipped as components as listed in catalog number table.

# LIGHTING

V SERIES • WEATHERPROOF



## INCANDESCENT COPPER-FREE ALUMINUM FIXTURES



### ORDERING INFORMATION



CEILING MOUNT WITH VGH SPLICE BOX - DEAD END								
FITTURE TYPE	LAMP WATT	HUB SIZE	CATALOG NUMBER		CONSISTS OF			
			FIXTURE W/ GLOBE	FIXTURE W/ GLOBE & GUARD	MOUNTING BOX	FIXTURE BODY	CLEAR GLOBE*	GUARD (if selected)
100	150	1/2"	VUHG-1-100Ⓞ	VUHGG-1-100Ⓞ	VGH-1	VFC-100	VCG-100	VAG-100
		3/4"	VUHG-2-100Ⓞ	VUHGG-2-100Ⓞ	VGH-2	VFC-100	VCG-100	VAG-100
200	300	1/2"	VUHG-1-200Ⓞ	VUHGG-1-200Ⓞ	VGH-1	VFC-200	VCG-200	VAG-200
		3/4"	VUHG-2-200Ⓞ	VUHGG-2-200Ⓞ	VGH-2	VFC-200	VCG-200	VAG-200



CEILING MOUNT WITH VXA DEEP 5 - HUB SPLICE BOX								
FITTURE TYPE	LAMP WATT	HUB SIZE	CATALOG NUMBER		CONSISTS OF			
			FIXTURE W/ GLOBE	FIXTURE W/ GLOBE & GUARD	MOUNTING BOX	FIXTURE BODY	CLEAR GLOBE*	GUARD (if selected)
100	150	1/2"	VXAG-110Ⓞ	VXAGG-110Ⓞ	VXA-1	VFC-100	VCG-100	VAG-100
		3/4"	VXAG-210Ⓞ	VXAGG-210Ⓞ	VXA-2	VFC-100	VCG-100	VAG-100
200	300	1/2"	VXAG-120Ⓞ	VXAGG-120Ⓞ	VXA-1	VFC-200	VCG-200	VAG-200
		3/4"	VXAG-220Ⓞ	VXAGG-220Ⓞ	VXA-2	VFC-200	VCG-200	VAG-200



CEILING MOUNT WITH VBA ADAPTER FOR ROUND OUTLET BOX								
FITTURE TYPE	LAMP WATT	HUB SIZE	CATALOG NUMBER		CONSISTS OF			
			FIXTURE W/ GLOBE	FIXTURE W/ GLOBE & GUARD	BOX ADAPTER	FIXTURE BODY	CLEAR GLOBE*	GUARD (if selected)
100	150	1/2"	VOB-100Ⓞ	VOBG-100Ⓞ	VBA	VFC-100	VCG-100	VAG-100
200	300	3/4"	VOB-200Ⓞ	VOBG-200Ⓞ	VBA	VFC-200	VCG-200	VAG-200



CEILING MOUNT WITH VFPS ADAPTER FOR SQUARE OR OCTAGON OUTLET BOX								
FITTURE TYPE	LAMP WATT	HUB SIZE	CATALOG NUMBER		CONSISTS OF			
			FIXTURE W/ GLOBE	FIXTURE W/ GLOBE & GUARD	BOX ADAPTER	FIXTURE BODY	CLEAR GLOBE*	GUARD (if selected)
100	150	1/2"	VFCA-100Ⓞ	VFCA-100Ⓞ	VFPS	VFC-100	VCG-100	VAG-100
200	300	3/4"	VFCA-200Ⓞ	VFCA-200Ⓞ	VFPS	VFC-200	VCG-200	VAG-200

NOTES: Mounts directly to steel 4" square and 3-1/2" or 4" octagon outlet box. Supplied with gasket.

\* For other colors, order globe and fixture components separately.

Ⓞ Fixture supplied as component unit pack when ordered by this catalog number.

Ⓞ Catalog number for ordering convenience; fixture is shipped as components as listed in catalog number table.



## INCANDESCENT COPPER-FREE ALUMINUM FIXTURES



### ORDERING INFORMATION



WALL MOUNT WITH FEET USING VBC SPLICE BOX AND VB ELBOW								
FIXTURE TYPE	LAMP WATT	HUB SIZE	CATALOG NUMBER		CONSISTS OF			
			FIXTURE W/ GLOBE	FIXTURE W/ GLOBE & GUARD	MOUNTING BOX/ELBOW	FIXTURE BODY	CLEAR GLOBE*	GUARD (if selected)
100	150	1/2"	VFBG-1-100Ⓞ	VFBGG-1-100Ⓞ	VBC-1+VB-1	VFC-100	VCG-100	VAG-100
		3/4"	VFBG-2-100Ⓞ	VFBGG-2-100Ⓞ	VBC-2+VB-2	VFC-100	VCG-100	VAG-100
200	300	1/2"	VFBG-1-200Ⓞ	VFBGG-1-200Ⓞ	VBC-1+VB-1	VFC-200	VCG-200	VAG-200
		3/4"	VFBG-2-200Ⓞ	VFBGG-2-200Ⓞ	VBC-2+VB-2	VFC-200	VCG-200	VAG-200



WALL MOUNT WITH VB ELBOW TO MOUNT TO 4" OUTLET BOX								
FIXTURE TYPE	LAMP WATT	HUB SIZE	CATALOG NUMBER		CONSISTS OF			
			FIXTURE W/ GLOBE	FIXTURE W/ GLOBE & GUARD	MOUNTING ELBOW	FIXTURE BODY	CLEAR GLOBE*	GUARD (if selected)
100	150	1/2"	VFBG-110Ⓞ	VFBGG-110Ⓞ	VB-1	VFC-100	VCG-100	VAG-100
		3/4"	VFBG-210Ⓞ	VFBGG-210Ⓞ	VB-2	VFC-100	VCG-100	VAG-100
200	300	1/2"	VFBG-120Ⓞ	VFBGG-120Ⓞ	VB-1	VFC-200	VCG-200	VAG-200
		3/4"	VFBG-220Ⓞ	VFBGG-220Ⓞ	VB-2	VFC-200	VCG-200	VAG-200

Mounts directly to VJ or VB Series or 4" steel outlet boxes. One hub in back, supplied with gasket.



WALL MOUNT-WITH VFL ELBOW FOR DIRECT MOUNT TO V SERIES SPLICE BOXES								
FIXTURE TYPE	LAMP WATT	HUB SIZE	CATALOG NUMBER		CONSISTS OF			
			FIXTURE W/ GLOBE	FIXTURE W/ GLOBE & GUARD	MOUNTING ELBOW	FIXTURE BODY	CLEAR GLOBE**	GUARD (if selected)
100	150	-	VOBL-100Ⓞ	VOBLG-100Ⓞ	VFL	VFC-100	VCG-100	VAG-100
200	300	-	VOBL-200Ⓞ	VOBLG-200Ⓞ	VFL	VFC-200	VCG-200	VAG-200



STANCHION MOUNT FOR 1 - 1/4" THREADED PIPE								
FIXTURE TYPE	LAMP WATT	HUB SIZE	CATALOG NUMBER		CONSISTS OF			
			FIXTURE W/ GLOBE	FIXTURE W/ GLOBE & GUARD	MOUNTING ELBOW	FIXTURE BODY	CLEAR GLOBE*	GUARD (if selected)
100	150	1-1/4"	VD-410GⓄ	VD-410GGⓄ	VD-4	VFC-100	VCG-100	VAG-100
200	300	1-1/4"	VD-420GⓄ	VD-420GGⓄ	VD-4	VFC-200	VCG-200	VAG-200

\*For other colors, order globe and fixture components separately.

Ⓞ Fixture supplied as component unit pack when ordered by this catalog number.

Ⓞ Catalog number for ordering convenience; fixture is shipped as components as listed in catalog number table.

# LIGHTING

V SERIES



## INCANDESCENT NEMA 4 - CLASS I, DIV. 2 ALUMINUM FIXTURES

**Class I, Div. 2, Groups A,B,C,D**  
**Class I, Zone 2, Groups IIC,IIB,IIA**  
**NEMA 3, 4\***

**UL LISTED** - File E10514

UL-1571 Standard for incandescent fixtures

UL-844 Standard for hazardous location fixtures

**SP** Certified - File LR11713



Pendant

### FEATURES-SPECIFICATIONS

#### Applications

Killark "V" Series Vaportight fixtures are now available Third Party Certified for use in certain hazardous as well as wet locations which require durable, protected lighting fixtures.

Wet and dirt laden industrial environments such as walkways, tunnels, loading docks, stairwells, etc. made hazardous by the presence of flammable vapors as defined by the NEC.

**Fixtures intended for base-up mounting only.**

Heat resistant (tempered) glass globes recommended for wet locations\*.

\* Wet location when used with tempered glass.

#### Features

Killark Vaportight assemblies using VXFC bodies & tempered glass have all the features & advantages of "V" Enclosed & Gasketed" models plus:

- Heavy-duty silicone gasketing for NEMA 4 requirements
- Third party tested & labeled for use in C1D2 areas
- Modular design permits selection of splice box, fixture body, globe, guard and reflector for specific or custom applications
- Existing V Series mounting boxes may be retrofitted to upgrade to NEMA 4; C1D2 suitability
- Copper-free aluminum construction with electrostatically applied epoxy/polyester finish resists corrosion



Ceiling

APPLICATION DATA ①			
FIXTURE TYPE	LAMP SIZE	GLOBE TYPE	TEMPERATURE CODE @ 40°C
100	A-19 60W	colored & clear	T2C (230°C)
100	A-19 70W	colored & clear	T2D (215°C)
100	A-19 100W	colored & clear	T2A (280°C)
100	A-21 100W	colored & clear	T2B (260°C)
100	A-21 150W	colored & clear	T2 (300°C)
200	A-23 150W	colored & clear	T2A (280°C)
200	PS-25 150W	colored & clear	T2B (260°C)
200	A-23 200W	colored & clear	T2 (300°C)
200	PS-25 200W	colored & clear	T2A (280°C)
200	PS-25 300W	colored & clear	(350°C)

① Suitability based on base up installation



## INCANDESCENT NEMA 4 - CLASS I, DIV. 2 ALUMINUM FIXTURES



### FEATURES-SPECIFICATIONS



PENDANT MOUNT WITH VGA SPlice BOX							
FIXTURE TYPE	LAMP WATT	HUB SIZE	CATALOG NUMBER	CONSISTS OF			
			FIXTURE W/ GLOBE & GUARD	MOUNTING BOX	FIXTURE BODY	CLEAR GLOBE*	GUARD
100	150	1/2"	VUAGG-1-100PX ①	VGA-1	VXFC-100 N34	VCGP-100	VAG-100
		3/4"	VUAGG-2-100PX ①	VGA-2	VXFC-100 N34	VCGP-100	VAG-100
200	300	1/2"	VUAGG-1-200PX ①	VGA-1	VXFC-200 N34	VCGP-200	VAG-200
		3/4"	VUAGG-2-200PX ①	VGA-2	VXFC-200 N34	VCGP-200	VAG-200

CEILING FIXTURE WITH VGX SPlice BOX							
FIXTURE TYPE	LAMP WATT	HUB SIZE	CATALOG NUMBER	CONSISTS OF			
			FIXTURE W/ GLOBE & GUARD	MOUNTING BOX	FIXTURE BODY	CLEAR GLOBE*	GUARD
100	150	1/2"	VUXGG-1-100PX ①	VGX-1	VXFC-100 N34	VCGP-100	VAG-100
		3/4"	VUXGG-2-100PX ①	VGX-2	VXFC-100 N34	VCGP-100	VAG-100
200	300	1/2"	VUXGG-1-200PX ②	VGX-1	VXFC-200 N34	VCGP-200	VAG-200
		3/4"	VUXGG-2-200PX ②	VGX-2	VXFC-200 N34	VCGP-200	VAG-200

CEILING FIXTURE WITH MOUNTING FEET USING VBC SPlice BOX & VBA ADAPTER							
FIXTURE TYPE	LAMP WATT	HUB SIZE	CATALOG NUMBER	CONSISTS OF			
			FIXTURE W/ GLOBE & GUARD	MOUNTING BOX/ ADAPTER	FIXTURE BODY	CLEAR GLOBE*	GUARD
100	150	1/2"	VUXBGG-1-100PX ①	VBC-1+VBA	VXFC-100 N34	VCGP-100	VAG-100
		3/4"	VUXBGG-2-100PX ①	VBC-2+VBA	VXFC-100 N34	VCGP-100	VAG-100
200	300	1/2"	VUXBGG-1-200PX ①	VBC-1+VBA	VXFC-200 N34	VCGP-200	VAG-200
		3/4"	VUXBGG-2-200PX ①	VBC-2+VBA	VXFC-200 N34	VCGP-200	VAG-200

STANCHION MOUNT FOR 1 - 1/4" THREADED PIPE							
FIXTURE TYPE	LAMP WATT	HUB SIZE	CATALOG NUMBER	CONSISTS OF			
			FIXTURE W/ GLOBE & GUARD	MOUNTING BOX/ ADAPTER	FIXTURE BODY	CLEAR GLOBE*	GUARD
100	150	1-1/4"	VD-410GGPX ①	VD-4	VXFC-100 N34	VCGP-100	VAG-100
200	300	1-1/4"	VD-420GGPX ①	VD-4	VXFC-200 N34	VCGP-200	VAG-200

WALL FIXTURE WITH MOUNTING FEET USING VBC SPlice BOX & VB ELBOW							
FIXTURE TYPE	LAMP WATT	HUB SIZE	CATALOG NUMBER	CONSISTS OF			
			FIXTURE W/ GLOBE & GUARD	MOUNTING BOX/ELBOW	FIXTURE BODY	CLEAR GLOBE*	GUARD
100	150	1/2"	VFBGG-1-100PX ①	VBC-1 + VB-1	VXFC-100 N34	VCGP-100	VAG-100
		3/4"	VFBGG-2-100PX ①	VBC-2 + VB-2	VXFC-100 N34	VCGP-100	VAG-100
200	300	1/2"	VFBGG-1-200PX ①	VBC-1 + VB-1	VXFC-200 N34	VCGP-200	VAG-200
		3/4"	VFBGG-2-200PX ①	VBC-2 + VB-2	VXFC-200 N34	VCGP-200	VAG-200

\* For other colors, order globes and mounting components separately.

① Fixture supplied as component unit pack when ordered by this catalog number.

② NEMA 3, 4 when used with tempered glass.



# LIGHTING

## COMPONENT PARTS/ACCESSORIES • INCANDESCENT FIXTURES

### VFC Fixture Bodies

Fixture bodies contain lamp receptacle and are threaded to accept globes, guards and reflectors. These fixture bodies are designed for metallic boxes and mount directly to V Series splice boxes. They may also be mounted to VJ Series, VB Series or other 4" outlet boxes with the use of the appropriate adapter plate. Each fixture body is supplied with gaskets.



VFC-100  
VXFC-100 N34 ①



VFC-200  
VXFC-200 N34 ①

V FIXTURE BODIES	
CATALOG NUMBER	DESCRIPTION
VFC-100	150W max. Enclosed & Gasketed Fixture Body
VFC-200	300W max. Enclosed & Gasketed Fixture Body
VXFC-100 N34	150W max. NEMA 3,4 - Class I, Div. 2 Fixture Body ①
VXFC-200 N34	300W max. NEMA 3,4 - Class I, Div. 2 Fixture Body ①

① Use VXFC body with tempered globe for NEMA 3, 4 - Class I, Div. 2 applications. VXFC body is Class I, Div. 2 only (not N3, N4) when used with standard globes. Consult temperature table for suitability.

### V Splice Boxes

For use with types 100 and 200 fixture bodies



VGA



VGH



VGC



VGX



VXA



VBC



VBA



VFPS



VB



VFL



VD

V SPLICE BOXES			DESCRIPTION
CATALOG NUMBER	HUB SIZE & QTY.		
VGA-1	1/2" 1	Pendant mount	
VGA-2	3/4" 1		
VGH-1	1/2" 1	Ceiling mount	
VGH-2	3/4" 1		
VGC-1	1/2" 2	Ceiling mount	
VGC-2	3/4" 2		
VGX-1	1/2" 4	Ceiling mount	
VGX-2	3/4" 4		
VXA-1	1/2" 5	Ceiling mount, deep box	
VXA-2	3/4" 5		
VBC-1*	1/2" 4	Ceiling mount, with 3 close-up plugs (requires VBA Adapter)	
VBC-2*	3/4" 4		
VXAB	- -	Blank close-up plate (less gasket)	

\* Volume cu. in. is 18.

V ADAPTER MOUNTING PLATES	
CATALOG NUMBER	DESCRIPTION
VBA	Adapts fixture body to VB, VJ or steel 3-1/2" & 4" splice boxes. Supplied with gasket.
VFPS	Adapts fixture body to steel 4" square outlet boxes or 3-1/2" or 4" octagon boxes

V MOUNTING BRACKETS			
CATALOG NUMBER	HUB SIZE	QTY.	DESCRIPTION
VB-1	1/2"	1	Wall mount to VJ or VB boxes
VB-2	3/4"	1	Wall mount to VJ or VB boxes
VFL	—	—	Wall mount to V boxes directly or to VJ, VB boxes with VBA adapter
VD-4	1-1/4"	1	Stanchion mount



V SERIES

# KILLARK

COMPONENT PARTS/ACCESSORIES • INCANDESCENT FIXTURES



150 W Max.  
Lamp Size A-21



300 W Max.  
Lamp Size PS-25



Polycarbonate



Poly Color Globe

V GLASS GLOBES		
CATALOG NUMBER		DESCRIPTION
150 W A-21 LAMP	300 W PS-25 LAMP	
VCG-100	VCG-200	Clear
VCGP-100	VCGP-200	Clear Tempered. Thermal and shock resistant ①
VCGPT-100	—	Clear Tempered with silicone coating ②
VAMG-100	VAMG-200	Amber
VAMGP-100	—	Amber Tempered ①
VGG-100	VGG-200	Blue Green
VGGP-100	VGGP-200	Blue Green Tempered ①
VBG-100	—	Blue
VBGp-100	—	Blue Tempered ①
VRG-100	VRG-200	Ruby
VRGP-100	VRGP-200	Ruby Tempered ①
VRSG-100	—	Green
VPG-100	—	Purple
VWG-100	—	White Glass
VWGP-100	—	White Tempered Glass
75 W A-19 LAMP	150 W A-21 LAMP	Polycarbonate. Cannot be used with guard or in high ambient temperature locations (40°C/104°F max.) Not UL Listed.
VPLCG-100	VPLCG-200	

① Recommended for use with VXFC fixture base.

② TM Thomas Manufacturing.



Body To Splice Box  
Gasket  
100 or 200 Series  
VTG Standard  
VTG-S Silicone (pictured)



Globe Gasket  
100 Series Standard - 15871AABB  
200 Series Standard - VTGG (pictured)  
100 Series Silicone - VTGG1-S  
200 Series Silicone - VTGG2-S

V GUARDS	
CATALOG NUMBER	DESCRIPTION
VAG-100	100 Series Vaportite guard
VAG-200	200 Series Vaportite guard

V REFLECTORS		
CATALOG NUMBER	DESCRIPTION	
VPRSD-100	100 Series Vaportite Reflector	16 3/8" Dia. 5 5/8" High. White polypropylene for pendant & ceiling applications. Not for use with wall or stanchion models.
VPRSD-200	200 Series Vaportite Reflector	

V SERIES GASKET			
CATALOG NUMBER		TYPE	DESCRIPTION
100 SERIES	200 SERIES		
VTG		VFC	Fixture body to splice box
VTG-S		VXFC	Silicone, Fixture body to splice box
VBNB		—	Replacement Gaskets for VB-1/VB-2 and VBA
15871AABB	VTGG	VFC	Globe gasket
VTGG1-S	VTGG2-S	VFXC	Silicone, globe gasket



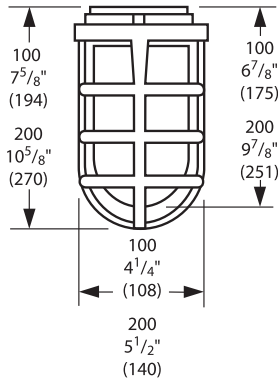
V LAMP SOCKET	
CATALOG NUMBER	DESCRIPTION
VRME	For fixture types 100 and 200



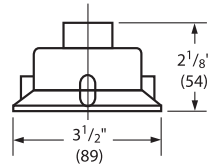


# LIGHTING

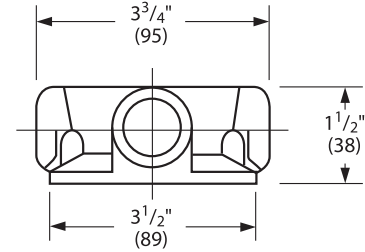
## DIMENSIONS



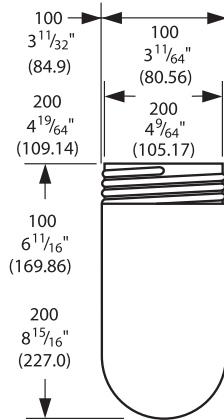
V Fixture  
w/o Splice Box



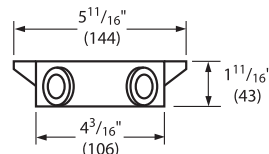
VGA



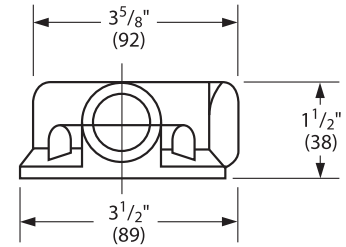
VGC VGX



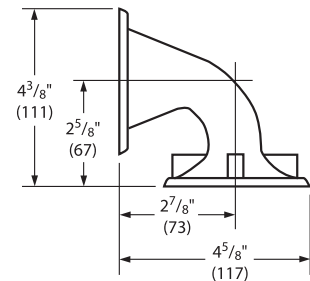
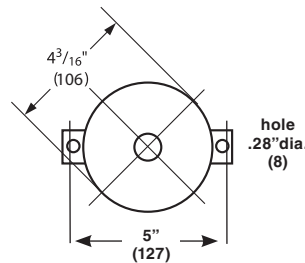
V Fixture  
Globes



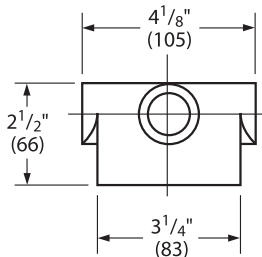
VBC-1 & VBC-2



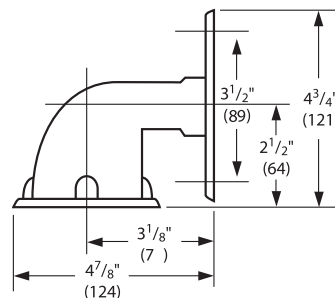
VGH



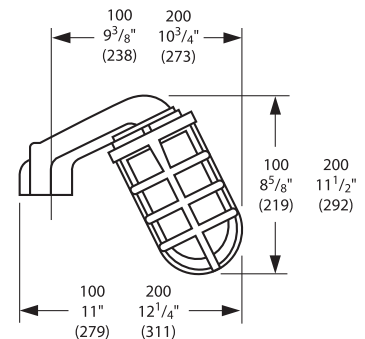
VFL



VXA



VB



V Stanchion



DV/XHL/XHLF SERIES

# KILLARK

## SPECIAL APPLICATION INCANDESCENT FIXTURES AND HAND LAMPS



DAG Guard

Class II, Div. 1 & 2 Groups E,F,G<sup>①</sup>  
Class III

LISTED - File E12976

Certified - File LR11713

### FEATURES-SPECIFICATIONS

#### DV DUST-IGNITION PROOF

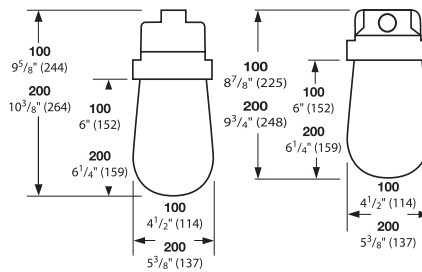
##### Applications

For hazardous locations where suspended metal, carbon (coal, etc.), and grain dusts create explosive or ignitable mixtures with the air.

##### Features

- Cast of corrosion resistant aluminum alloy with electrostatically applied epoxy/polyester finish
- Ceiling mounted units supplied with 4 hubs.

#### Dimensions



Pendant 100-200

Ceiling 100-200

DV 100/200				
MODEL SIZE	LAMP SIZE	HUB	CATALOG NUMBER	
			PENDANT	CEILING
TYPE 100	100 Watt A-21	1/2"	DVA-110	DVX-110
	150 Watt A-23	3/4"	DVA-210	DVX-210
TYPE 200	150 Watt PS-25	1/2"	DVA-120	DVX-120
	200 Watt PS-25	3/4"	DVA-220	DVX-220

#### ACCESSORIES/REPLACEMENT PARTS

FIXTURE TYPE	CATALOG NUMBER		
	GLASS GLOBE	WIRE GUARD	REPLACEMENT SOCKET
100	DCGE-10	DAG-100	VRME
200	DCGE-20	DAG-200	VRME

<sup>①</sup> Temperature code T3B, use supply wire suitable for 150° C.

### XHL SERIES HAND LAMPS

XHL Series Hand Lamps are a handy accessory to the ACCEPTOR® Series. Used as a supplemental illumination source for areas where flammable materials are present such as processed finished goods, storage vats or handling areas.



XHL

XHLF

#### Features XHL Incandescent

- Phenolic handle for long service in rugged conditions
- Aluminum guard
- Heat and impact resistant globe
- Supplied with an A-21 100 Watt (100A/RS) Rough Service lamp
- Supplied with 2 grommets for use with either 14/3 or 16/3 user furnished SO cable

CATALOG NUMBER	DESCRIPTION
XHL-100	Handlamp
XHL-GL	Replacement Globe
XHLG	Replacement Guard
XHLS	Replacement Socket

XHL Incandescent  
Class I, Div. 1 & 2, Groups C, D  
Class I, Zones 1 & 2, Groups IIB,IIA

LISTED File No. E97760

Certified File No. LR10019

#### Features XHLF Fluorescent (120 VAC)

- No exposed metal parts
- Furnished with 26 watt 1800 Lumen fluorescent lamp and light shield
- Supplied with grommet for use with 16/3 user furnished SO cable

CATALOG NUMBER	DESCRIPTION
XHLF26	Fluorescent hand lamp
XHLF26-50KP	Fluorescent hand lamp with 50' of 16/3 SOW cord and 15A Acceptor plug

XHLF Fluorescent  
Class I, Div. 1 & 2, Groups C,D  
Class I, Zones 1 & 2, Groups IIB,IIA  
Class II, Div. 1 & 2, Groups F,G

US Listed File No. E97760



# LIGHTING

## NON-METALLIC/NON-GLASS FIXTURES



Pendant Fluorescent



Ceiling Incandescent



Wall Mount Fluorescent

**Class II, Div. 2, Groups F,G  
NEMA 3, 4, 4X**

Certified\* - File LR11713

to the following standards:

- UL 1598 Standard for luminaires
- UL 844 Standard for lighting fixtures for hazardous locations
- CSA C22.2 no. 137-M1981 electric luminaires for use in hazardous locations
- Enclosed and gasketed
- NEMA 3, 4X

### FEATURES-SPECIFICATIONS

## ENVIRO<sup>RITE</sup>® II

#### Applications

Designed specifically for corrosive & wet NEMA 4X and hazardous dust environments.

Typical applications include food processing, sewage treatment plants, off-shore and dockside installations and agricultural.

#### Features

- NVP Series non-metallic light fixtures combine an outstanding balance of strength, stiffness, toughness and electrical properties
- Polycarbonate lens
- Energy and labor saving fluorescent or incandescent models
- Molded from 30% glass-filled thermoset polyester for high strength
- Resists corrosive effects of most chemicals, hydrocarbons and solvents
- Designed for indoor and outdoor globe down applications
- All assemblies are unit packed with required components (not assembled)
- Fluorescent unit pack models (only) include the lamp
- Fluorescent models use "world voltage" ballasts for 120VAC through 277VAC 50/60Hz applications
- For M20 ceiling units change "X" in part # to "M". For wall units change "B" to "W". M20 Pendant not available
- Photometrics "similar" to those shown on L185.

PENDANT 3/4" CLEAR POLYCARBONATE GLOBE & GUARD*	
40W Incan. ①	NVPIG40AG
13 W Fluor.	NVPFG13AG
18 W Fluor.	NVPFG18AG
26 W Fluor.	NVPFG26AG

CEILING 3/4" CLEAR POLYCARBONATE GLOBE & GUARD*	
40W Incan. ①	NVPIG40XG
13 W Fluor.	NVPFG13XG
18 W Fluor.	NVPFG18XG
26 W Fluor.	NVPFG26XG

WALL 3/4" CLEAR POLYCARBONATE GLOBE & GUARD*	
40W Incan. ①	NVPIG40BG
13 W Fluor.	NVPFG13BG
18 W Fluor.	NVPFG18BG
26 W Fluor.	NVPFG26BG

**NEW!**  
NON-GLASS

Self-ballasted CFL's for 26W ①

APPLICATION DATA ①					
WATTAGE & TYPE	CLASS II DIV. 2 CLEAR OR COLOR	MIN. START		CURRENT FLUOR. VAC	
		C°	F°	120V	277V
40W ①	F, G	—	—	—	—
13 Fluor	F, G	-20°C	-4°F	0.144	0.067
18 Fluor	F, G	-20°C	-4°F	0.158	0.073
26 Fluor	F, G	-20°C	-4°F	0.22	0.097

① Incandescent models w/medium base socket marked for 40W 277V Max or self-ballasted CFL's to 26W max, lamps F.O.B

POLYCARBONATE GLOBE OPTIONS FOR ASSEMBLIES: RED OR GREEN	
For RED polycarbonate add -R e.g. NVPIG75AG-R	
For GREEN polycarbonate add -G e.g. NVPIG75AG-G	

COMPONENTS **	
CATALOG NUMBER	DESCRIPTION
NVPIG40 ①	Incandescent Body with E26 socket; 40W Max ①
NVPFG13	13W Fluor Body & 120 - 277VAC 50/60Hz Ballast (less lamp)
NVPFG18	18W Fluor Body & 120 - 277VAC 50/60Hz Ballast (less lamp)
NVPFG26	26W Fluor Body & 120 - 277VAC 50/60Hz Ballast (less lamp)
NV2AG	3/4" Pendant splice box
NV2XG	3/4" Ceiling splice box
NV2BG	Elbow (used between NV2XG and Fixture Body)
NV2GG	Guard
VPLCG100	Clear Poly Globe 40W "A" MAX
VPLCG100R	Red Poly Globe 40W "A" MAX
VPLCG100G	Green Poly Globe 40W "A" MAX

\* Reflectors shown on L184 are not recommended - globe taper prevents guard from holding reflector securely.

\*\* For 13-26W Quad Pin Lamps and Replacement Ballasts see page L184.



## INCANDESCENT FIXTURES

### E INCANDESCENT

Consult factory for Ratings



EPG-2-200



EXG-2-200



EBG-2-200



HG-200

### Applications

For hazardous locations including where Group A or Group B gases are present, indoors or outdoors.

General, local or supplementary lighting in areas where Group A or Group B gases are manufactured, used or handled.

### Features

- Cast of corrosion resistant aluminum alloy with electrostatically applied epoxy/polyester finish
- For 200 watt or 300 watt PS-30 medium base lamps. Fixture for lamp base-up mounting only
- Omit "G" in catalog number to omit guard

E INCANDESCENT FIXTURE	
CATALOG NUMBER	DESCRIPTION
EPG-2-200	Pendant 3/4" hub
EXG-2-200	Ceiling 3/4" hub
EBG-2-200	Bracket 3/4" hub

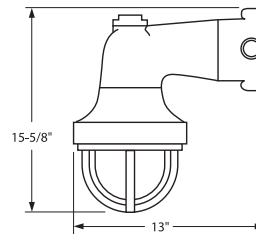
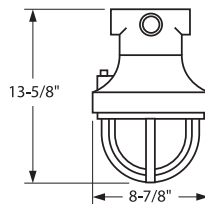
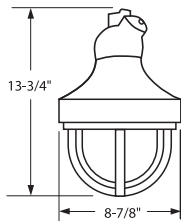
Note: For 200 watt or 300 watt PS-30 lamps. Fixture for lamp base-up mounting only.

E ACCESSORIES	
CATALOG NUMBER	DESCRIPTION
HG-200	Guard
EGSA-200	Globe w/ support assembly
HRME*	Replacement socket
ERSD30	Dome reflector
ERA30	Angle reflector

\* Also fits discontinued H series medium base fixtures

E APPLICATION DATA							
LAMP WATTS	RATED AMBIENT °C	CLASS I, DIV. 1 & 2		CLASS II, DIV. 1 & 2		CLASS III SUITABILITY	SUPPLY WIRE °C
		T-CODE	GROUPS	T-CODE	GROUPS		
200	40	T4	A, B, C, D	T3C	E, F, G	YES	90
300	40	T3C	A, B, C, D	T3A	E, F	NO	150

Groups A,B Rated



# LIGHTING

VE3Q / VE4Q SERIES



## COMPACT FLUORESCENT EMERGENCY FIXTURES



**CERTILITE® E**  
EMERGENCY

**FEATURES-SPECIFICATIONS**

**Applications**

CERTILITE® VEQ Emergency Lighting fixtures provide continuous illumination under normal power and switch to emergency battery backup during power outages. Emergency Units ONLY are available that operate only when normal power fails.

Units contain battery unit(s) that provides the OSHA required 90 minutes of illumination for egress.

VExQ units are designed for general and task lighting in indoors or outdoors where flammable gases or vapors, combustible dusts, or simultaneous presence may exist and create a hazardous location, as defined by the NEC.

Use Push-To-Test station suitable for area of use for testing purposes.

**Features**

- Quad-Pin triple-tube (VExQ) long-life compact fluorescent lamps included
- World Voltage on Quad-Pin VExQ Series: 120 through 277VAC; 50 through 60 Hz
- LED charging indicator light visible through lens
- Pre-wired terminal block for easy power connection
- Two lamp models include two independent redundant systems
- Six mounting splice box types - Pendant, Ceiling, Wall bracket, Cone Top, 25° Angle Stanchion, Straight Stanchion.
- Normally shipped as components for fast delivery, or may be ordered factory assembled.
- Options for Fuses and Quick Disconnect

**Standard Materials**

- Ballast tank and splice box – copper-free aluminum alloy with baked powder epoxy/polyester finish, electrostatically applied. External hardware – 316 SS.

**Compliances**

- UL1598 Standard for luminaires
- UL1598A Marine type luminaire
- UL-844 Standard for lighting fixtures for hazardous locations
- CSA C22.2 no. 137-M1981 electric luminaires for use in hazardous locations
- UL-924 Emergency Lighting
- Enclosed and gasketed
- NEMA 3, 4X IP66
- UL 60079-15 - Electrical apparatus for Explosive Gas Atmospheres with Type of Protection “n” (Restricted Breathing and non-sparking).

**VE3Q/VE4Q**

- Class I, Div. 2, Groups A,B,C,D ①
- Class I, Zone 2, Groups IIC, IIB, IIA
- Class II, Div. 1 & 2, Groups E,F,G
- Class III
- NEMA 3, 4, 4X
- IP66



- Class I, Zone 2 AEx nAnR ②
- Class I, Zone 2 Ex nR ②

**Accessories**

- VEXA100B 3-sided Exit sign: (Use w/o guard)
- VEXA400 4-sided Exit sign: (Use w/o guard)
- VMPSD40 Dome and VMPA40 Angle Reflectors (see page L125)
- XCS-0B3-PTT “Push-To-Test” n.c Stanchion (order SWB box separately)

**Options**

- RD - Red paint housing, mount, guard (VMAG17, VMAG25S)
- F, FF - Factory fused; F = Single fuse for 120V, 230V 50 Hz (VExQ); FF = Double fuse for 208V, 220V 60 Hz, 240V

Note: VE3x dimensions are the same as VM3  
VE4x dimensions are the same as VM4  
See L128-L129 for more information

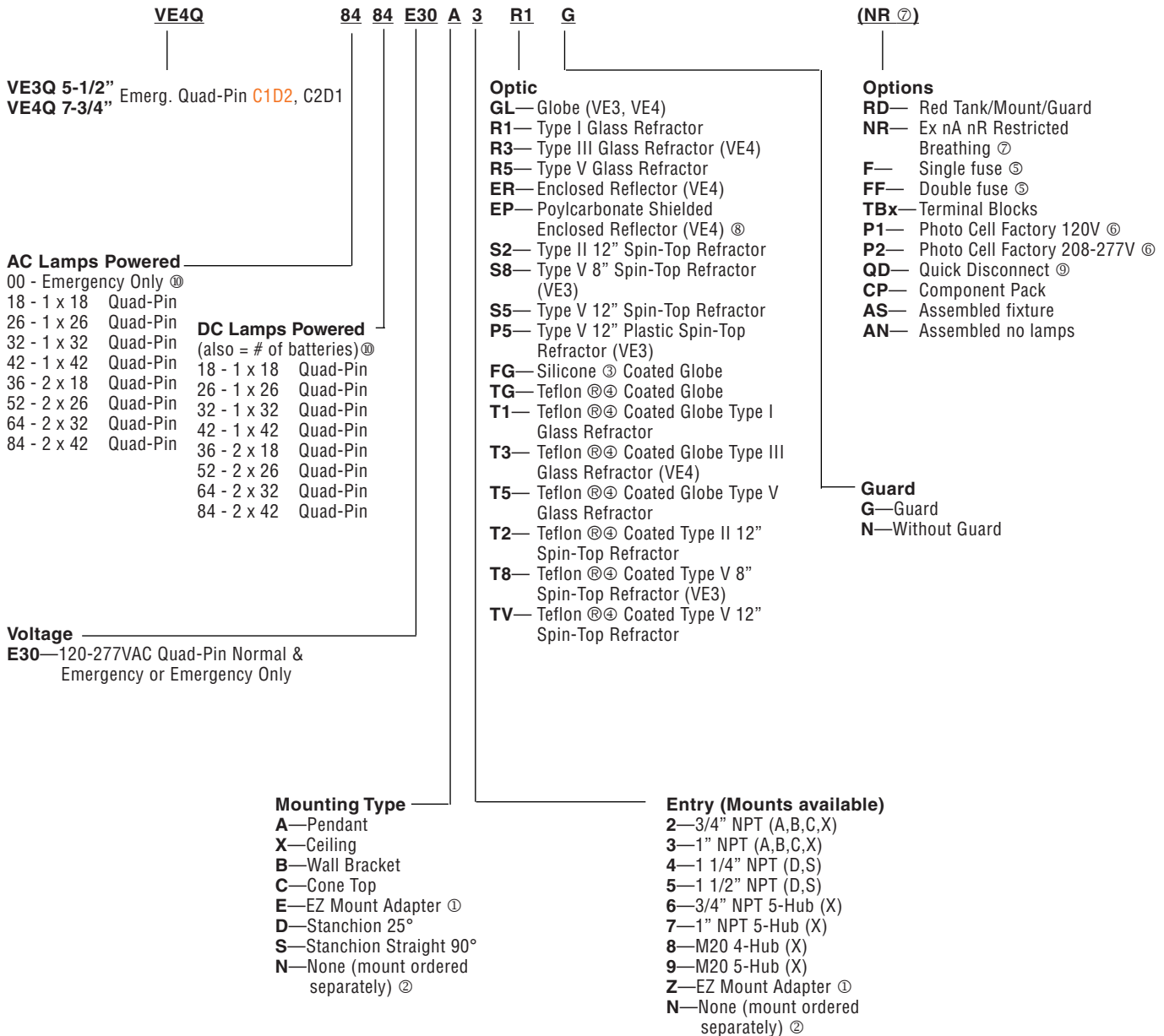
Photometrics similar to VQ1F Series.

FEATURES		BENEFITS	
	Swing-Barrel Nut Patented Tank Mounting System	• Stainless-to-Stainless securement • Takes load off during installation • Uses ordinary tools • Saves time and labor	
	Sealed Optic Zone 2 AEx nAR Restricted Breathing (suffix NR)	NO External Seals. Lower T-codes, Suitable for Class I Div. 2 Classified areas per the NEC®. See L84 for more information.	
	All glass refractors	Compact (5-1/2" thread size, types I & V) Standard (7-3/4", thread size, types I, III, V) Enhances user selection flexibility	
	“EZ” mount adapter	Easier Maintenance, saves labor, move fixture from the ladder to the workbench	
	Photo controls - Class I Div. 2 / N4X areas	Available as Field or Factory Installed to save energy when light not required. For AC ballast only.	
	Earthquake Tab - Built-in attachment point for safety cables	Safety: Secures fixture to structure in case of conduit failure. “3rd hand” accessories for lamp change out. See L83 for more information.	



## CATALOG ORDERING LOGIC

### CertiLite® E Catalog Number Logic; 13-84W Battery Backed (Compact Fluorescent) Fixtures



① Completes as "EZ", conduit mounting boxes ordered separately.  
② NN mount ordered separately.  
③ Silicone coated globe for additional impact protection.  
④ Teflon® is a registered trademark of DuPont, Inc.  
⑤ Fusing not for Marine or Canadian installations  
⑥ Photo cells for Class I, Div. 2 only. VExx Models  
⑦ Restricted Breathing - See L84 for more information.

⑧ Not for use with wall or straight (90°) Stanchion.  
⑨ QD = Quick Disconnect. Allows easy tank removal for maintenance. Electrician simply unplugs de-energized tank from supply circuit.  
⑩ Wattages cannot be mixed e.g. 4232 or 6484.

# LIGHTING

VE3Q / VE4Q SERIES



## COMPACT FLUORESCENT EMERGENCY FIXTURES



Tank 3 Pendant  
w/ 5-1/2"  
Globe & Guard



Tank 4 Ceiling  
w/ 7-3/4"  
Globe & Guard



Tank 3 Wall  
w/ 5-1/2"  
Refractor & Guard



Tank 4 Cone  
w/ 7-3/4"  
Globe & Guard

### 13 - 84 WATT EMERGENCY FIXTURES - 3/4" PENDANT ( \* \* CEILING - WALL - CONE) COMPACT FLUORESCENT

WATTS/TYPE	VOLTAGE	GLOBE & GUARD	5-1/2" OPTIC THREAD SIZE ②		7-3/4" OPTIC THREAD SIZE ②		
			TYPE V GLASS REFRACTOR & GUARD	8" SPIN-TOP TYPE V REFRACTOR & GUARD	GLOBE & GUARD	TYPE V GLASS REFRACTOR & GUARD	12" SPIN-TOP TYPE V REFRACTOR & GUARD
18W (1x18) Emer Only	120 to 277 50-60Hz	VE3Q0018E30A2GLG	VE3Q0018E30A2R5G	VE3Q0018E30A2S8G	VE4Q0018E30A2GLG	VE4Q0018E30A2R5G	VE4Q0018E30A2S5G
36W (2x18) Emer Only	120 to 277 50-60Hz	VE3Q0036E30A2GLG	VE3Q0036E30A2R5G	VE3Q0036E30A2S8G	VE4Q0036E30A2GLG	VE4Q0036E30A2R5G	VE4Q0036E30A2S5G
18W (1x18) Normal/Emer	120 to 277 50-60Hz	VE3Q1818E30A2GLG	VE3Q1818E30A2R5G	VE3Q1818E30A2S8G	VE4Q1818E30A2GLG	VE4Q1818E30A2R5G	VE4Q1818E30A2S5G
36W (2x18) Normal/Emergency	120 to 277 50-60Hz	VE3Q3618E30A2GLG	VE3Q3618E30A2R5G	VE3Q3618E30A2S8G	VE4Q3618E30A2GLG	VE4Q3618E30A2R5G	VE4Q3618E30A2S5G
36W (2x18) Normal/Emer	120 to 277 50-60Hz	VE3Q3636E30A2GLG	VE3Q3636E30A2R5G	VE3Q3636E30A2S8G	VE4Q3636E30A2GLG	VE4Q3636E30A2R5G	VE4Q3636E30A2S5G
26W (1x26) Emer Only	120 to 277 50-60Hz	VE3Q0026E30A2GLG	VE3Q0026E30A2R5G	VE3Q0026E30A2S8G	VE4Q0026E30A2GLG	VE4Q0026E30A2R5G	VE4Q0026E30A2S5G
52W (2x26) Emer Only	120 to 277 50-60Hz	VE3Q0052E30A2GLG	VE3Q0052E30A2R5G	VE3Q0052E30A2S8G	VE4Q0052E30A2GLG	VE4Q0052E30A2R5G	VE4Q0052E30A2S5G
26W (1x26) Normal/Emer	120 to 277 50-60Hz	VE3Q2626E30A2GLG	VE3Q2626E30A2R5G	VE3Q2626E30A2S8G	VE4Q2626E30A2GLG	VE4Q2626E30A2R5G	VE4Q2626E30A2S5G
52W (2x26) Normal/Emergency	120 to 277 50-60Hz	VE3Q5226E30A2GLG	VE3Q5226E30A2R5G	VE3Q5226E30A2S8G	VE4Q5226E30A2GLG	VE4Q5226E30A2R5G	VE4Q5226E30A2S5G
52W (2x26) Normal/Emer	120 to 277 50-60Hz	VE3Q5252E30A2GLG	VE3Q5252E30A2R5G	VE3Q5252E30A2S8G	VE4Q5252E30A2GLG	VE4Q5252E30A2R5G	VE4Q5252E30A2S5G
32W (1x32) Emer Only	120 to 277 50-60Hz	VE3Q0032E30A2GLG	VE3Q0032E30A2R5G	VE3Q0032E30A2S8G	VE4Q0032E30A2GLG	VE4Q0032E30A2R5G	VE4Q0032E30A2S5G
64W (2x32) Emer Only	120 to 277 50-60Hz	VE3Q0064E30A2GLG	VE3Q0064E30A2R5G	VE3Q0064E30A2S8G	VE4Q0064E30A2GLG	VE4Q0064E30A2R5G	VE4Q0064E30A2S5G
32W (1x32) Normal/Emer	120 to 277 50-60Hz	VE3Q3232E30A2GLG	VE3Q3232E30A2R5G	VE3Q3232E30A2S8G	VE4Q3232E30A2GLG	VE4Q3232E30A2R5G	VE4Q3232E30A2S5G
64W (2x32) Normal/Emergency	120 to 277 50-60Hz	VE3Q6432E30A2GLG	VE3Q6432E30A2R5G	VE3Q6432E30A2S8G	VE4Q6432E30A2GLG	VE4Q6432E30A2R5G	VE4Q6432E30A2S5G
64W (2x32) Normal/Emer	120 to 277 50-60Hz	VE3Q6464E30A2GLG	VE3Q6464E30A2R5G	VE3Q6464E30A2S8G	VE4Q6464E30A2GLG	VE4Q6464E30A2R5G	VE4Q6464E30A2S5G
42W (1x42) Emer Only	120 to 277 50-60Hz	VE3Q0042E30A2GLG	VE3Q0042E30A2R5G	VE3Q0042E30A2S8G	VE4Q0042E30A2GLG	VE4Q0042E30A2R5G	VE4Q0042E30A2S5G
84W (2x42) Emer Only	120 to 277 50-60Hz	VE3Q0084E30A2GLG	VE3Q0084E30A2R5G	VE3Q0084E30A2S8G	VE4Q0084E30A2GLG	VE4Q0084E30A2R5G	VE4Q0084E30A2S5G
42W (1x42) Normal/Emer	120 to 277 50-60Hz	VE3Q4242E30A2GLG	VE3Q4242E30A2R5G	VE3Q4242E30A2S8G	VE4Q4242E30A2GLG	VE4Q4242E30A2R5G	VE4Q4242E30A2S5G
84W (2x42) Normal/Emergency	120 to 277 50-60Hz	VE3Q8442E30A2GLG	VE3Q8442E30A2R5G	VE3Q8442E30A2S8G	VE4Q8442E30A2GLG	VE4Q8442E30A2R5G	VE4Q8442E30A2S5G
84W (2x42) Normal/Emer	120 to 277 50-60Hz	VE3Q8484E30A2GLG	VE3Q8484E30A2R5G	VE3Q8484E30A2S8G	VE4Q8484E30A2GLG	VE4Q8484E30A2R5G	VE4Q8484E30A2S5G

① See hazardous location data page L204 for application suitability

② VE3x models use 5-1/2" CertiLite® V VM optics accessories; VE4x models use 7-3/4" VM optics accessories.

\*\* Grid is populated with 3/4" Pendant models with Optic Guards, to omit guard change last G to N e.g. VE3Q001\*E10A2GLN

- 3/4" Ceiling models change A2 to X2

- 3/4" Wall Bracket models change A2 to B2

- 3/4" Cone-top models change A2 to C2

- For 1" change to A3, X3, B3, or C3



VE3Q / VE4Q SERIES

# KILLARK

## COMPACT FLUORESCENT EMERGENCY FIXTURES



Tank 1 Stanchion 25°  
w/5-1/2"  
Globe & Guard



Tank 4 Stanchion Straight  
w/ 7-3/4"  
Refractor & Guard



Tank 3 EZ Adapter  
w/ 5-1/2"  
Refractor & Guard

**13 - 84 WATT EMERGENCY FIXTURES - 25 ° STANCHION (\* \* STRAIGHT STANCHION, EZ ADAPTER) COMPACT FLUORESCENT**

DESCRIPTION	5-1/2" OPTIC THREAD SIZE ②				7-3/4" OPTIC THREAD SIZE ②		
	WATTS / TYPE	VOLTAGE	GLOBE & GUARD	TYPE V GLASS REFRACTOR & GUARD	8 SPIN-TOP TYPE V REFRACTOR & GUARD	GLOBE & GUARD	TYPE V GLASS REFRACTOR & GUARD
18W (1x18) Emer Only	120 to 277 50-60Hz	VE3Q0018E30D5GLG	VE3Q0018E30D5R5G	VE3Q0018E30D5S8G	VE4Q0018E30D5GLG	VE4Q0018E30D5GLG	VE4Q0018E30D5S5G
36W (2x18) Emer Only	120 to 277 50-60Hz	VE3Q0036E30D5GLG	VE3Q0036E30D5R5G	VE3Q0036E30D5S8G	VE4Q0036E30D5GLG	VE4Q0036E30D5GLG	VE4Q0036E30D5S5G
18W (1x18) Normal/Emer	120 to 277 50-60Hz	VE3Q1818E30D5GLG	VE3Q1818E30D5R5G	VE3Q1818E30D5S8G	VE4Q1818E30D5GLG	VE4Q1818E30D5GLG	VE4Q1818E30D5S5G
36W (2x18) Normal 18W (1x18) Emergency	120 to 277 50-60Hz	VE3Q3618E30D5GLG	VE3Q3618E30D5R5G	VE3Q3618E30D5S8G	VE4Q3618E30D5GLG	VE4Q3618E30D5GLG	VE4Q3618E30D5S5G
36W (2x18) Normal/Emer	120 to 277 50-60Hz	VE3Q3636E30D5GLG	VE3Q3636E30D5R5G	VE3Q3636E30D5S8G	VE4Q3636E30D5GLG	VE4Q3636E30D5GLG	VE4Q3636E30D5S5G
26W (1x26) Emer Only	120 to 277 50-60Hz	VE3Q0026E30D5GLG	VE3Q0026E30D5R5G	VE3Q0026E30D5S8G	VE4Q0026E30D5GLG	VE4Q0026E30D5GLG	VE4Q0026E30D5S5G
52W (2x26) Emer Only	120 to 277 50-60Hz	VE3Q0052E30D5GLG	VE3Q0052E30D5R5G	VE3Q0052E30D5S8G	VE4Q0052E30D5GLG	VE4Q0052E30D5GLG	VE4Q0052E30D5S5G
26W (1x26) Normal/Emer	120 to 277 50-60Hz	VE3Q2626E30D5GLG	VE3Q2626E30D5R5G	VE3Q2626E30D5S8G	VE4Q2626E30D5GLG	VE4Q2626E30D5GLG	VE4Q2626E30D5S5G
52W (2x26) Normal 26W (1x26) Emergency	120 to 277 50-60Hz	VE3Q5226E30D5GLG	VE3Q5226E30D5R5G	VE3Q5226E30D5S8G	VE4Q5226E30D5GLG	VE4Q5226E30D5GLG	VE4Q5226E30D5S5G
52W (2x26) Normal/Emer	120 to 277 50-60Hz	VE3Q5252E30D5GLG	VE3Q5252E30D5R5G	VE3Q5252E30D5S8G	VE4Q5252E30D5GLG	VE4Q5252E30D5GLG	VE4Q5252E30D5S5G
32W (1x32) Emer Only	120 to 277 50-60Hz	VE3Q0032E30D5GLG	VE3Q0032E30D5R5G	VE3Q0032E30D5S8G	VE4Q0032E30D5GLG	VE4Q0032E30D5GLG	VE4Q0032E30D5S5G
64W (2x32) Emer Only	120 to 277 50-60Hz	VE3Q0064E30D5GLG	VE3Q0064E30D5R5G	VE3Q0064E30D5S8G	VE4Q0064E30D5GLG	VE4Q0064E30D5GLG	VE4Q0064E30D5S5G
32W (1x32) Normal/Emer	120 to 277 50-60Hz	VE3Q3232E30D5GLG	VE3Q3232E30D5R5G	VE3Q3232E30D5S8G	VE4Q3232E30D5GLG	VE4Q3232E30D5GLG	VE4Q3232E30D5S5G
64W (2x32) Normal 32W (1x32) Emergency	120 to 277 50-60Hz	VE3Q6432E30D5GLG	VE3Q6432E30D5R5G	VE3Q6432E30D5S8G	VE4Q6432E30D5GLG	VE4Q6432E30D5GLG	VE4Q6432E30D5S5G
64W (2x32) Normal/Emer	120 to 277 50-60Hz	VE3Q6464E30D5GLG	VE3Q6464E30D5R5G	VE3Q6464E30D5S8G	VE4Q6464E30D5GLG	VE4Q6464E30D5GLG	VE4Q6464E30D5S5G
42W (1x42) Emer Only	120 to 277 50-60Hz	VE3Q0042E30D5GLG	VE3Q0042E30D5R5G	VE3Q0042E30D5S8G	VE4Q0042E30D5GLG	VE4Q0042E30D5GLG	VE4Q0042E30D5S5G
84W (2x42) Emer Only	120 to 277 50-60Hz	VE3Q0084E30D5GLG	VE3Q0084E30D5R5G	VE3Q0084E30D5S8G	VE4Q0084E30D5GLG	VE4Q0084E30D5GLG	VE4Q0084E30D5S5G
42W (1x42) Normal/Emer	120 to 277 50-60Hz	VE3Q4242E30D5GLG	VE3Q4242E30D5R5G	VE3Q4242E30D5S8G	VE4Q4242E30D5GLG	VE4Q4242E30D5GLG	VE4Q4242E30D5S5G
84W (2x42) Normal 42W (1x42) Emergency	120 to 277 50-60Hz	VE3Q8442E30D5GLG	VE3Q8442E30D5R5G	VE3Q8442E30D5S8G	VE4Q8442E30D5GLG	VE4Q8442E30D5GLG	VE4Q8442E30D5S5G
84W (2x42) Normal/Emer	120 to 277 50-60Hz	VE3Q8484E30D5GLG	VE3Q8484E30D5R5G	VE3Q8484E30D5S8G	VE4Q8484E30D5GLG	VE4Q8484E30D5GLG	VE4Q8484E30D5S5G

① See hazardous location data page L204 for application suitability

② VE3x models use 5-1/2" CertiLite® V VM optics accessories; VE4x models use 7-3/4" VM optics accessories.

\*\* Grid is populated with 1-1/2" 25° Stanchion models with Optic Guards, to omit guard change last G to N e.g. VE3Q0018E10A2GLN

- 1-1/2" Straight models change D5 to S5 - 1-1/4" Stanchions change "5" to "4" e.g. D4 or S4

- EZ adapter models require EZ Mounts to energize



# LIGHTING

VE3Q / VE4Q SERIES



## COMPONENTS



**Tank 3**  
5-1/2" Optic Thread Size



**Tank 4**  
7-3/4" Optic Thread Size

BALLAST-BATTERY TANKS WITH LAMPS						
	DESCRIPTION		INITIAL LUMENS			
	WATTS/ TYPE	VOLTAGE	5-1/2" OPTIC THREAD SIZE ②	7-3/4" OPTIC THREAD SIZE ③	NORMAL AC	EMER. BATTERY
CLASS I DIV 2, CLASS II DIV 1, N4X, IP66 J	18W (1 x 18) Emer Only	120 to 277 50-60Hz	VE3Q0018E30	VE4Q0018E30	—	400
	36W (2 x 18) Emer Only	120 to 277 50-60Hz	VE3Q0036E30	VE4Q0036E30	—	800
	18W (1x18) Normal/Emer	120 to 277 50-60Hz	VE3Q1818E30	VE4Q1818E30	1200	400
	36W (2x18) Normal	120 to 277 50-60Hz	VE3Q3618E30	VE4Q3618E30	2400	400
	18W (1x18) Emergency					
	36W (2x18) Normal/Emer	120 to 277 50-60Hz	VE3Q3636E30	VE4Q3636E30	2400	800
	26W 1 x 26 Emer Only	120 to 277 50-60Hz	VE3Q0026E30	VE4Q0026E30	—	425
	52W 2 x 26 Emer Only	120 to 277 50-60Hz	VE3Q0052E30	VE4Q0052E30	—	850
	26W (1x26) Normal/Emer	120 to 277 50-60Hz	VE3Q2626E30	VE4Q2626E30	1800	425
	52W (2x26) Normal	120 to 277 50-60Hz	VE3Q5226E30	VE4Q5226E30	3600	425
	26W (1x26) Emergency					
	52W (2x26) Normal/Emer	120 to 277 50-60Hz	VE3Q5252E30	VE4Q5252E30	3600	850
	32W (1 x 32) Emer Only	120 to 277 50-60Hz	VE3Q0032E30	VE4Q0032E30	—	525
	64W (2 x 32) Emer Only	120 to 277 50-60Hz	VE3Q0064E30	VE4Q0064E30	—	1050
	32W (1x32) Normal/Emer	120 to 277 50-60Hz	VE3Q3232E30	VE4Q3232E30	2400	525
	64W (2x32) Normal	120 to 277 50-60Hz	VE3Q6432E30	VE4Q6432E30	4800	525
	32W (1x32) Emergency					
	64W (2x32) Normal/Emer	120 to 277 50-60Hz	VE3Q6464E30	VE4Q6464E30	4800	1050
	42W (1 x 42) Emer Only	120 to 277 50-60Hz	VE3Q0042E30	VE4Q0042E30	—	700
	84W (2 x 42) Emer Only	120 to 277 50-60Hz	VE3Q0084E30	VE4Q0084E30	—	1400
42W (1x42) Normal/Emer	120 to 277 50-60Hz	VE3Q4242E30	VE4Q4242E30	3200	700	
84W (2x42) Normal	120 to 277 50-60Hz	VE3Q8442E30	VE4Q8442E30	6400	700	
42W (1x42) Emergency						
84W (2x42) Normal/Emer	120 to 277 50-60Hz	VE3Q8484E30	VE4Q8484E30	6400	1400	

① See hazardous location data page L204 for application suitability



## COMPONENTS



Pendant



Ceiling



Wall



Cone Top



25° Stanchion



Straight Stanchion



EZ Adapter\*  
VMEZA



Tank Adapter

## MOUNTING SPLICE BOXES

### CATALOG NUMBER

HUB SIZE	PENDANT	FLEXIBLE PENDANT	CEILING 4 HUB	CEILING 5 HUB	WALL	CONE TOP	25° STANCHION	90° STANCHION
3/4"	VMA2B	VMF2B	VMX2B	VMX6B	VMB2B	VMC2B	—	—
1"	VMA3B	VMF3B	VMX3B	VMX7B	VMB3B	VMC3B	—	—
1-1/4"	—	—	—	—	—	—	VMD4B	VMS4B
1-1/2"	—	—	—	—	—	—	VMD5B	VMS5B
M-20	—	—	VMX8B**	VMX9B	—	—	—	—

\*VMEZA is used between a ballast tank and an EZ mount-ordered separately. See L83 for more information.

\*\*VMX8B furnished with 3 non-metallic plugs.

## OPTICS & GUARDS

DESCRIPTION	5-1/2" OPTIC THREAD SIZE		7-3/4" OPTIC THREAD SIZE	
	OPTICS	GUARD	OPTICS	GUARD
Globe (glass)	VMG17	VMAG17	VMG25	VMAG25S
Reflector (all glass) Type V	VMR175	VMAG17	VMR255	VMAG25S
Reflector (all glass) Type I	VMR171	VMAG17	VMR251	VMAG25S
Reflector (all glass) Type III	—	—	VMR253	VMAG25S
Reflector (spin top glass) 8" Type V	VZRG1550	VMRWG8	—	—
Reflector (spin top glass) 12" Type V	VZRG2550	VMRWG	VZRG4050	VMRWG
Reflector (spin top glass) 12" Type II	VZRG2520	VMRWG	VZRG4020	VMRWG
Reflector (spin top plastic) 12" Type V	VZRP175	VMRWG	—	—
Enclosed Reflector (glass lens)	—	—	VMER40	VMERG
Enclosed Reflector (plastic lens)	—	—	VMEP40	—



DE3B/VE3B/VE3Q  
5-1/2" Optic



DE4B/VE4B/VE4Q  
7-3/4" Optic

OPTICS	VMG17	VMR175 VMR171	VZRG1550	VZRG2550 VZRG2520 VZRP175	VMG25	VMR255 VMR253 VMR251	VMG40	VMER40	VZRG4050 VZRG4020	VMEP40
	OPTICS									
GUARDS	VMAG17	VMAG17	VMRWG8	VMRWGS	VMAG25S	VMAG25S	VMAG40S	VMERG	VMRWG8	
	GUARDS									

## REFLECTORS

VMPSD40 Standard Dome Fiberglass White Reflector Dia: 16"	VMPA40 30 O Angle Fiberglass White Reflector Dia: 16"	HRD400 Deep Aluminum White Reflector Dia: 21"	HRD400ALZ Deep Aluminum Anodized Reflector Dia: 21"	VMAGBC Bottom Closure for VMAG25S/VMAG40S

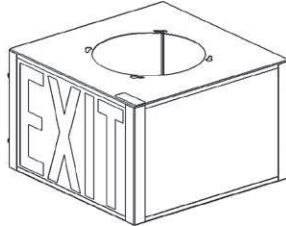
# LIGHTING

VE3Q / VE4Q SERIES

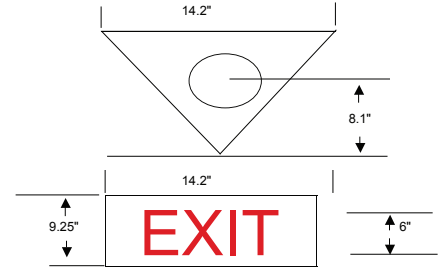


## COMPONENTS/APPLICATION DATA

**VEXA400 4-Sided EXIT for all Models**  
 Letters are 3/4" x 8" Red on white  
 Unit includes 3 EXIT Faces and  
 2 Blank for Maximum Flexibility  
 Dimensions: 14.56" x 9.22"



**VEXA100B 3-Sided EXIT Accessory for xE3x models**  
 Letters are 3/4" x 6" Red on White



VEXA100B Exit Accessory Dimensions

### FEATURES-SPECIFICATIONS

REPLACEMENT BATTERY UNITS	
WATTAGE/TYPE	CATALOG NUMBER
18/26/32/42W QUAD-PIN	KFBP7

REPLACEMENT LAMPS	
WATTAGE/TYPE	CATALOG NUMBER
18W QUAD-PIN	MQL18
26W QUAD-PIN	MQL26
32W QUAD-PIN	MQL32
42W QUAD-PIN	MQL42

BALLAST DATA*						
LAMP WATTS	VOLTAGE AC	START	OPERATING	INPUT WATTS	BALLAST CIRCUIT	REGULATION
26WATT (1X13)	120 / 277	0.39/35	0.3	16	NPF	—
26WATT (2X13)	120 / 277	0.78/70	0.6	32	NPF	—
18 WATT (1X18)	120 THROUGH 277	—	.16@120V /.07 @277V	19	HPF	—
26WATT (1X26)	120 THROUGH 277	—	.27@120V /.13 @277V	29	HPF	ELECTRONIC
32WATT (1X32)	120 THROUGH 277	—	.31@120V /.15 @277V	36	HPF	ELECTRONIC
42WATT (1X42)	120 THROUGH 277	—	.37@120V /.17 @277V	46	HPF	ELECTRONIC
36 WATT (2X18)	120 THROUGH 277	—	.32@120V /.14 @277V	38	HPF	—
52WATT (2X26)	120 THROUGH 277	—	.54@120V /.26 @277V	58	HPF	ELECTRONIC
64WATT (2X32)	120 THROUGH 277	—	.62@120V /.30 @277V	72	HPF	ELECTRONIC
84WATT (2X42)	120 THROUGH 277	—	.74@120V /.34 @277V	92	HPF	ELECTRONIC

\* Add per battery prox .6 amp for charging current. Prox 24 hours to full recharge after full discharge.



COMPONENTS/APPLICATION DATA

APPLICATION DATA									
CATALOG SERIES*	LAMP WATTS	AMBIENT DEG. C	CLASS I DIVISION 2		CLASS I ZONE 2 NR II		CLASS II DIVISION 1 <sup>ⓐ</sup>		SUPPLY WIRE TEMP. MIN. °C
			GLOBE OR REFRACTOR <sup>①</sup>	GLOBE + REFLECTOR	GLOBE OR REFRACTOR <sup>②</sup>	GLOBE + REFLECTOR	GLOBE OR REFRACTOR <sup>①</sup>	GLOBE + REFLECTOR	
VE3Q0018	1 X 18	40	T6	T6	T6	T6	T3B (EFG)	T3C (EFG)	60
VE3Q0036	2 X 18	40	T3C	T3C	T6	T6	T3B (EFG)	T3C (EFG)	60
VE3Q1818	1 X 18	40	T3A	T3A	T6	T6	T3B (EFG)	T3C (EFG)	60
VE3Q3618	2 X 18	40	T3C	T3C	T6	T6	T3B (EFG)	T3C (EFG)	60
VE3Q3636	2 X 18	40	T3C	T3C	T6	T6	T3B (EFG)	T3C (EFG)	60
VE3Q0026	1 X 26	40	T6	T6C	T6	T6	T3B (EFG)	T3C (EFG)	75
VE3Q0052	2 X 26	40	T2D	T2D	T6	T6	T3B (EFG)	T3C (EFG)	75
VE3Q2626	1 X 26	40	T3A	T3A	T6	T6	T3B (EFG)	T3C (EFG)	60
VE3Q5226	2 X 26	40	T2D	T2D	T5	T6	T3B (EFG)	T3C (EFG)	75
VE3Q5252	2 X 26	40	T2D	T2D	T5	T6	T3B (EFG)	T3C (EFG)	75
VE3Q0032	1 X 32	40	T6	T6	T6	T6	T3B (EFG)	T3C (EFG)	75
VE3Q0064	2 X 32	40	T2D	T2D	T6	T6	T3B (EFG)	T3C (EFG)	75
VE3Q3232	1 X 32	40	T3A	T3A	T6	T6	T3B (EFG)	T3C (EFG)	60
VE3Q6432	2 X 32	40	T2D	T2D	T5	T6	T3B (EFG)	T3C (EFG)	75
VE3Q6464	2 X 32	40	T2D	T2D	T5	T6	T3B (EFG)	T3C (EFG)	75
VE3Q0042	1 X 42	40	T6	T6	T6	T6	T3B (EFG)	T3C (EFG)	75
VE3Q0084	2 X 42	40	T2B	T2B	T6	T6	T3B (EFG)	T3C (EFG)	75
VE3Q4242	1 X 42	40	T3A	T3A	T6	T6	T3B (EFG)	T3C (EFG)	60
VE3Q8442	2 X 42	40	T2B	T2B	T4	T6	T3B (EFG)	T3C (EFG)	75
VE3Q8484	2 X 42	40	T2B	T2B	T4	T6	T3B (EFG)	T3C (EFG)	75
VE4Q0018	1 X 18	40	T3C	T3C	T6	T6	T4A (EFG)	T4A (EFG)	60
VE4Q0036	2 X 18	40	T3C	T3C	T6	T6	T4A (EFG)	T4A (EFG)	60
VE4Q1818	1 X 18	40	T3C	T3C	T6	T6	T4A (EFG)	T4A (EFG)	60
VE4Q3618	2 X 18	40	T3C	T3C	T6	T6	T4A (EFG)	T4A (EFG)	60
VE4Q3636	2 X 18	40	T3C	T3C	T6	T6	T4A (EFG)	T4A (EFG)	60
VE4Q0026	1 X 26	40	T3C	T3C	T6	T6	T4A (EFG)	T4A (EFG)	60
VE4Q0052	2 X 26	40	T3C	T3C	T6	T6	T4A (EFG)	T4A (EFG)	60
VE4Q2626	1 X 26	40	T3C	T3C	T6	T6	T4A (EFG)	T4A (EFG)	60
VE4Q5226	2 X 26	40	T3	T3	T6	T6	T4A (EFG)	T4A (EFG)	75
VE4Q5252	2 X 26	40	T3	T3	T6	T6	T4A (EFG)	T4A (EFG)	75
VE4Q0032	1 X 32	40	T3	T3	T6	T6	T4A (EFG)	T4A (EFG)	75
VE4Q0064	2 X 32	40	T3	T3	T6	T6	T4A (EFG)	T4A (EFG)	75
VE4Q3232	1 X 32	40	T3	T3	T6	T6	T4A (EFG)	T4A (EFG)	75
VE4Q6432	2 X 32	40	T3	T3	T6	T6	T4A (EFG)	T4A (EFG)	75
VE4Q6464	2 X 32	40	T3	T3	T6	T6	T4A (EFG)	T4A (EFG)	75
VE4Q0042	1 X 42	40	T3	T3	T6	T6	T4A (EFG)	T4A (EFG)	75
VE4Q0084	2 X 42	40	T3	T3	T6	T6	T4A (EFG)	T4A (EFG)	75
VE4Q4242	1 X 42	40	T3	T3	T6	T6	T4A (EFG)	T4A (EFG)	75
VE4Q8442	2 X 42	40	T3	T3	T6	T6	T4A (EFG)	T4A (EFG)	75
VE4Q8484	2 X 42	40	T3	T3	T6	T6	T4A (EFG)	T4A (EFG)	75

① T-codes for Refractors include VMR "All Glass" and VZ Spin-Top Types.

② Models suitable for Class II Div. 1 are also suitable for Class III.

# LIGHTING

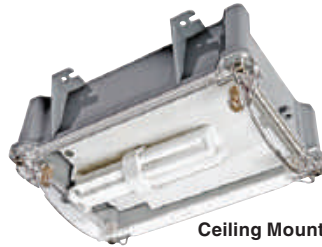
NWP SERIES



## NON-METALLIC EMERGENCY OPTION SURFACE MOUNT LUMINAIRES



Wall Mounted



Ceiling Mounted



Exit Sign



### FEATURES-SPECIFICATIONS

# ENVIORITE®

### Surface Mount Luminaires 13-26W Fluorescent

#### Applications

Killark's NWP Series of fluorescent luminaires are designed for task lighting of wet & corrosive NEMA 4X environments and hazardous locations.

Typical uses include manufacturing plants, chemical and petrochemical processing facilities, sewage treatment plants, off-shore and dockside installations, agricultural, commercial, industrial, and mining facilities.

NWP surface mount luminaires contain no exposed glass and carry Class II, F&G ratings required for many food processing areas.

#### Features

- Non-metallic housing has a lightweight yet robust low profile construction
- Can be wall mounted or ceiling mounted in horizontal or vertical position
- Energy and labor saving fluorescent
- Emergency and normal power models available.
- Emergency version has internal battery which provides 90 minutes of illumination in the event of a power failure
- Resists corrosive effects of most chemicals, hydrocarbons and solvents
- Designed for indoor and outdoor applications
- Includes fluorescent lamp
- 'World Voltage' ballasts for 120VAC through 277VAC 50/60Hz installations
- Wiring terminals are included as standard

#### Materials

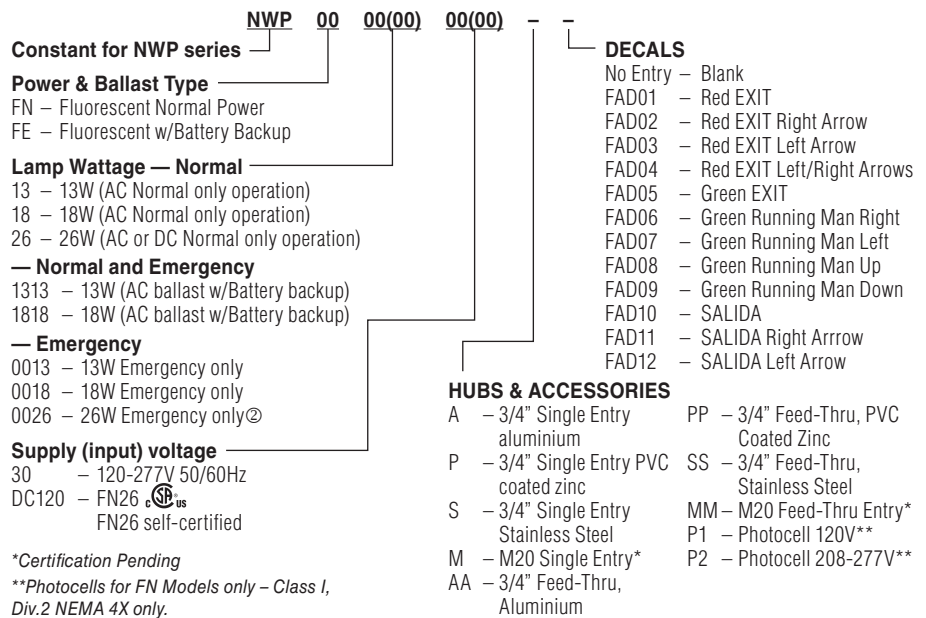
- Enclosure - High strength polycarbonate
- Gasket - Silicone
- External Hardware - Stainless steel
- Lens - Lexan®
- Entry - One 3/4" NPT copper-free aluminum hub with 3/4 x 1/2" reducer is standard. A second hub may be purchased separately.

Lexan® is a registered trademark of General Electric

Class I, Div. 2, Groups A,B,C,D  
Class I, Zone 2, Groups IIC, IIB, IIA  
Class II, Div. I, Groups F,G  
Class III  
Marine  
NEMA 3, 4, 4X  
IP66

Certified - File LR11713

#### Catalog Number Logic



\*Certification Pending

\*\*Photocells for FN Models only - Class I, Div.2 NEMA 4X only.

NWP WALLPACK 13 - 26W FLUORESCENT WITH ONE 3/4" ALUMINUM HUB					
LAMP	VOLTAGE	DESCRIPTION	CATALOG NUMBER①	MAX.AMBIENT SUITABILITY③	MIN START
<b>NORMAL POWER MODELS - AMBIENT SUITABILITY 40°C MAX.</b>					
1-13W	120-277V 50/60HZ	13W WALL OR CEILING	NWPFN1330A	40°C	15°C
1-18W	120-277V 50/60HZ	18W WALL OR CEILING	NWPFN1830A	40°C	15°C
1-26W	120-277V 50/60HZ	26W WALL OR CEILING	NWPFN2630A	40°C	15°C
1-26W	120V DCK	26W WALL OR CEILING	NWPFN26DC120A	40°C	15°C
<b>NORMAL AND EMERGENCY MODELS</b>					
1-13W	120-277V 50/60HZ	13W WALL OR CEILING	NWPF131330A	35°C	15°C
1-18W	120-277V 50/60HZ	18W WALL OR CEILING	NWPF181830A	30°C	15°C
<b>EMERGENCY ONLY MODELS - AMBIENT SUITABILITY 40°C MAX.</b>					
1-13W	120-277V 50/60HZ	13W WALL OR CEILING	NWPF001330A	40°C	0°C
1-18W	120-277V 50/60HZ	18W WALL OR CEILING	NWPF001830A	40°C	0°C
1-26W	120-277V 50/60HZ	26W WALL OR CEILING	NWPF002630A	40°C	0°C
1-26W	120V DC2	26W WALL OR CEILING	NWPF0026DC120A	40°C	0°C

① Provided with one 3/4 aluminum hub as standard.

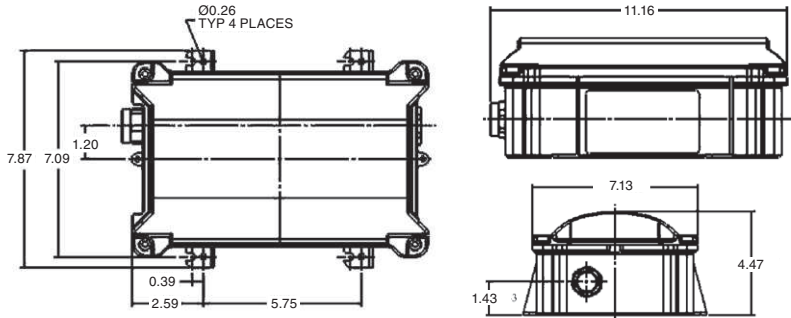
② NWPFN120V DC model is cSAsus, NWPF120V DC emergency-only model is Killark self-certified.

③ T-code measurements taken in 40°C ambient; operating ambient reduced for normal and emergency models to maintain battery performance.



## NON-METALLIC EMERGENCY OPTION SURFACE MOUNT LUMINAIRES

### Keyhole Slots Provided for Ease in Mounting



### TECHNICAL DATA

T-CODES @ 40C ③					
WATTS	Class I Div. 2		Class II Div. 2	Minimum Start	
	①	②		C'	F'
13W	T3	T6	F,G	-15	4
18W	T3	T3	F,G	-15	4
26W	T3	T3	F,G	-15	4

- ① Normal power or normal + emergency
- ② Emergency only models
- ③ See catalog grids for ambient suitability

### BOLT ON EXIT SIGN



### Catalog Number NWP-EXIT-SIGN DESCRIPTION

Bolt-on Exit Sign accessory includes hardware to mount to fixture and ability to make arrows left, right or none. Construction white painted steel and nonglass red diffuser, with bottom opening for downlight.

### ACCESSORIES

FIELD HUB KITS	
CATALOG #	DESCRIPTION
NWP-HUBA	Aluminum hub, gasket, locknut
NWP-HUBP	Precoated zinc hub, gasket, locknut
NWP-HUBS	Stainless steel hub, gasket, locknut
NWP-HUBM	M20 Plated Brass

### PHOTOMETRICS

**NWPFN2630x**  
Candlepower - 26 Watt  
CFL26 lamp 1800 lumens  
For 13 Watt multiply by .50  
For 18 Watt multiply by .67



FLUORESCENT OPERATING MAX. AMPS		
TYPE	120VAC	277VAC
13W Fluorescent	.144	.067
18W Fluorescent	.158	.073
26W Fluorescent	.22	.097

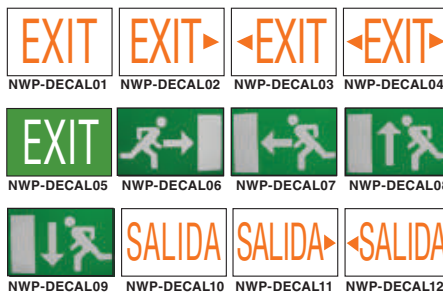
Use .1 Amp for 'Emergency Only' units, or as an adder for Normal & Emergency models.

### Zonal Lumen Summary

Zone	Lumens	%Lamp	%Fixt
0-30	275	15.30%	20.30%
0-40	463	25.70%	34.20%
0-60	886	49.20%	65.50%
0-90	1301	72.30%	96.10%
90-120	52	2.90%	3.90%
90-130	52	2.90%	3.90%
90-150	52	2.90%	3.90%
90-180	52	2.90%	3.90%
0-180	1353	75.20%	100

Total Luminaire Efficiency = 75.2%  
Space to Mt. Ht. Ratio: End 1.3; Side 1.4  
Certified Report BAL 15312.0

### SELF ADHESIVE DECALS



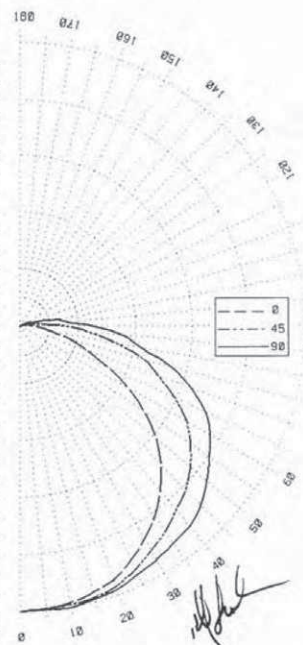
Optional decal styles available upon request - Minimums apply.

Factory installed decals, order as FAD\_... Example FAD01.

NWP REPLACEMENT PARTS & LAMPS	
CATALOG #	DESCRIPTION
NWP-LENSONLY	Replacement Lens
NWP-KFBP7	Replacement battery pack
MQL13	13W Quad-pin lamp
MQL18	18W Quad-pin lamp
MQL26	26W Quad-pin lamp

### CANDLEPOWER DISTRIBUTION

VERT ANG	HORIZONTAL ANGLE				
	0	22.5	45	67.5	90
0	340.	340.	340.	340.	340.
5	338.	339.	338.	339.	339.
10	335.	336.	337.	339.	341.
15	329.	330.	335.	336.	337.
20	322.	324.	330.	335.	334.
25	309.	314.	321.	325.	327.
30	294.	302.	310.	320.	322.
35	278.	285.	300.	314.	317.
40	258.	267.	288.	308.	313.
45	236.	247.	278.	299.	304.
50	210.	224.	264.	287.	290.
55	180.	201.	247.	267.	275.
60	147.	178.	228.	247.	261.
65	115.	146.	202.	231.	243.
70	84.	114.	175.	210.	216.
75	64.	81.	153.	182.	186.
80	38.	54.	117.	143.	146.
85	26.	36.	83.	114.	122.
90	17.	20.	57.	80.	87.
95	13.	11.	29.	50.	57.
100	10.	5.	18.	38.	45.
105	12.	5.	9.	18.	25.
110	12.	4.	4.	9.	12.
115	10.	3.	2.	5.	5.
120	6.	2.	1.	3.	3.
125	2.	0.	0.	1.	1.
130	0.	0.	0.	0.	0.
135	0.	0.	0.	0.	0.
140	0.	0.	0.	0.	0.
145	0.	0.	0.	0.	0.
150	0.	0.	0.	0.	0.
155	0.	0.	0.	0.	0.
160	0.	0.	0.	0.	0.



# LIGHTING

**DBFE SERIES**



## LINEAR FLUORESCENT EMERGENCY LIGHTING



**Class I, Div. 2, Groups A,B,C,D**  
**Class I, Zone 2, Groups IIC, IIB, IIA**  
**Class II, Div. 2 Groups F,G**  
**NEMA 3, 4**

- UL Listed  
Compliances: UL 44; UL 81570, UL924
- UL Wet Location Listed (Indoor & Outdoor)

### FEATURES-SPECIFICATIONS

## LINEAR<sup>LITE</sup>® \* E EMERGENCY

\* marca registrada MEXICO

#### Applications

LINEAR<sup>LITE</sup> DBFE Emergency Lighting fixtures provide continuous illumination under normal power and switch to emergency battery backup during power outages. Units contain a battery unit that provides the OSHA required 90 minutes of illumination for egress.

Units are designed for general and task lighting in areas where flammable gases or vapors or combustible dusts may exist due to abnormal conditions, and create a Division 2 hazardous location, as defined by the NEC.

#### Features

- Sheet steel 20 ga. housing with continuous weld prevents foreign matter from entering enclosure
- Lens frame assembly has silicon rubber gasketing and heat tempered glass lens
- Electrostatically applied polyester finish
- NEMA 4 construction for wet locations
- LED charging indicator light visible through lens
- Push-To-Test Button mounted on sloping side of fixture - allows end-to-end mounting of fixtures

DBFE FLUORESCENT EMERGENCY LIGHTING				
CATALOG NUMBER	CONDUIT SIZE	NUMBER OF LAMPS	LINE VOLTAGE	DESCRIPTION
DBFE232302	3/4"	2	120-277V 50/60 Hz	32W T8 electronic ballast 0°F start Medium bi-pin base
DBFE24012 DBFE24042			120V 60 Hz 277V 60 Hz	32W T8 electronic ballast 0°F start Medium bi-pin base
DBFE16012 DBFE16042			120V 60 Hz 277V 60 Hz	32W T8 electronic ballast 0°F start Medium bi-pin base
DBFE232303	3/4"	3	120-277V 50/60 Hz	32W T8 electronic ballast 0°F start Medium bi-pin base
DBFE24013 DBFE24043			120V 60 Hz 277V 60 Hz	32W T8 electronic ballast 0°F start Medium bi-pin base
KFBP7			(32/40 or 60 Watt) Replacement battery unit	

Notes: Emergency unit will start lamps at 0°F  
 32W T8 Electronic ballast minimum start is 0°F;  
 40W ballast is electronic with 50°F start (add CW for electromagnetic 0°F);  
 60W electromagnetic ballast start -20°F  
 32W & 40W units operate 2 Lamps in emergency mode for maximum illumination  
 60W units operate a single lamp. 3 Lamp 60W emergency units not available.  
 For dimensional data and mounting accessories, see DBF series page L162.  
 Digit after E is number of lamps energized during power loss.

EMERGENCY LUMEN CHART		
LAMPS	INITIAL LUMENS	AFTER 90 MINUTES
2 32W Lamps	625	455
2 40W Lamps	610	420
1 60W Lamp	780	460

DBFE HAZARDOUS LOCATION APPLICATION DATA							
NO. OF LAMPS	LAMP WATTS	RATED AMBIENT °C	SUPPLY WIRE SUITABLE FOR °C MIN	CLASS I, DIV. 2, GROUPS A,B,C,D MAX. LAMP TEMP.°C UL/CSA TEMP./I.D.	CLASS II, DIV. 2, GROUPS E,F,G MAX. SURF. TEMP.°C UL/CSA TEMP./I.D.	NEMA TYPE 3 (RAINTIGHT)	NEMA TYPE 4 (HOSEDOWN)
2	32/40	40	90	T6 (85°C/185°F)	T6 (85°C/185°F)	YES	YES
3	32/40	40	90	T5 (100°C/212°F)	T6 (85°C/185°F)	YES	YES
2	60	40	90	T4A (120°C/248°F)	T6 (85°C/185°F)	YES	YES



LZ2NE/LZ2SE SERIES

# KILLARK

## EMERGENCY FLUORESCENT



LZ2SE 4' Stainless

LZ2NE 2' Non-metallic

Class I, Div. 2 Groups A,B,C,D  
 Class I, Zones 2, Groups IIC,IIB,IIA  
 Class II, Div. 1 & 2, Groups E<sup>Ⓢ</sup>, F,G  
 AEx nAll, Ex nAll  
 Wet Locations  
 NEMA 4X  
 IP66

Certified - File LR11713

ABS Type Approval  
 NSF Food Handling <sup>Ⓢ</sup>

**FEATURES-SPECIFICATIONS**

**LINEARLITE<sup>®</sup>\* E**  
 \* marca registrada MEXICO EMERGENCY

**Applications**

LINEARLITE Emergency Lighting fixtures provide continuous illumination under normal power and switch to emergency battery back-up during power outages. Units contain a battery unit that provides the OSHA required 90 minutes of illumination for egress.

Units are available in non-metallic or 316 Stainless construction and designed for wet, harsh and corrosive environments. The LZ2NE and LZ2SE Series can also be used in Class I, Division 2 and Zone 2 hazardous vapors and in Class II areas where combustible dusts may exist. Typical areas used are in refineries, chemical plants, waste water & sewage treatment facilities, as well as in tunnels, food processing and coastal areas.

**ABS** (American Bureau of Shipping) type approval for use on decks, vessels, platforms, garages, ships and boats. Also suitable for docks and marinas.

<sup>Ⓢ</sup> LZ2SE only for Group E  
<sup>Ⓢ</sup> LZ2NE is NSF approved

**Features**

- NEMA 4 & IP66 rated enclosure
- Housing-one piece fiberglass reinforced polyester or 316 Stainless Steel
- Clear Lexan<sup>®</sup> impact resistant polycarbonate lens (Lexan is a registered trademark of General Electric)
- Two 3/4" NTP hubs - one at each end (includes one 3/4" close-up plug and two 3/4" X 1/2" reducers for maximum user flexibility)
- Two 1/4"- 20 bushings furnished in top of fixture for threaded rod

LZ2NE / LZ2SE BATTERY- BACKED				
NUMBER OF LAMPS/WATTS	VOLTAGE AC 60 HZ	DESCRIPTION	LZ2NE <sup>Ⓢ</sup>	LZ2SE <sup>Ⓢ</sup>
<b>BIAXIAL LAMP TYPE FIXTURES</b>				
1 - 40W <sup>Ⓢ</sup>	120 - 277 V	2' 1 - L amp Biaxial Electronic 50 / 60 Hz 0 °F Start 4 -Pin	LZ2NE1 - 40130	LZ2SE1 - 40130
1 - 55W <sup>Ⓢ</sup>	120 - 277 V	2' 1 - L amp Biaxial Electronic 50 / 60 Hz 0 °F Start 4 -Pin	LZ2NE1 - 55130	LZ2SE1 - 55130
2 - 40W <sup>Ⓢ</sup>	120 - 277 V	2' 2 - L amp Biaxial Electronic 50 / 60 Hz 0 °F Start 4 -Pin	LZ2NE1 - 40230	LZ2SE1 - 40230
4 - 40W <sup>Ⓢ</sup>	120 - 277 V	4' 4 - L amp Biaxial Electronic 50 / 60 Hz 0 °F Start 4 -Pin	LZ2NE - 40430	LZ2SE1 - 40430
<b>DOUBLE - ENDED LAMP TYPE FIXTURES</b>				
2 - 17W <sup>Ⓢ</sup>	120 - 277 V	2' 2 - Lamp T-8 Electronic 50/60 Hz 0°F Start Medium Bi-Pin	LZ2NE2 - 17230	LZ2SE2 - 17230
3 - 17W <sup>Ⓢ</sup>	120 - 277 V	2' 3 - Lamp T-8 Electronic 50/60 Hz 0°F Start Medium Bi-Pin	LZ2NE2 - 17330	LZ2SE2 - 17330
2 - 28W <sup>Ⓢ</sup>	120 - 277 V	4' 2 - Lamp T-5 Electronic 50/60 Hz 0°F Start Miniature Bi-Pin	LZ2NE1 - 28230	LZ2SE1 - 28230
3 - 28W <sup>Ⓢ</sup>	120 - 277 V	4' 3 - Lamp T-8 Electronic 50/60 Hz 0°F Start Miniature Bi-Pin	LZ2NE1 - 28330	LZ2SE1 - 28330
2 - 32W <sup>Ⓢ</sup> 2 - 32W <sup>Ⓢ</sup>	120 - 277 V 120 - 277 V 347 V	4' 2 - Lamp T-8 Electronic 50/60 Hz 0°F Start Medium Bi-Pin	LZ2NE1 - 32230 LZ2NE2 - 32230 LZ2NE2 - 32215	LZ2SE1 - 32230 LZ2SE2 - 32230 LZ2SE2 - 32215
3 - 32W <sup>Ⓢ</sup> 3 - 32W <sup>Ⓢ</sup>	120 - 277 V 120 - 277 V 347 V	4' 3 - Lamp T-8 Electronic 50/60 Hz 0°F Start Medium Bi-Pin	LZ2NE1 - 32330 LZ2NE2 - 32330 LZ2NE2 - 32315	LZ2SE1 - 32330 LZ2SE2 - 32330 LZ2SE2 - 32315
2 - 40W <sup>Ⓢ</sup>	120 V 277 V 230 V 50 Hz <sup>Ⓢ</sup>	4' 2-Lamp T-12 Electronic Medium Bi- Pin Start 50°F 40W/60°F 34W	LZ2NE2 - 40201 LZ2NE2 - 40204 LZ2NE2 - 40208	LZ2SE2 - 40201 LZ2SE2 - 40204 LZ2SE2 - 40208
2 - 44W <sup>Ⓢ</sup>	120 - 277 V	4' 2-Lamp T-8 Electronic -20°F Start High Output Recessed Double Contact	LZ2NE1 - 44230	LZ2SE1 - 44230
2 - 54W <sup>Ⓢ</sup>	120 - 277 V	4' 2 - Lamp T-5 Electronic 50/60 - 20°F Start Miniature Bi - Pin	LZ2NE1 - 54230	LZ2SE1 - 54230
2 - 60W <sup>Ⓢ</sup>	120 - 277 V	4' 2-Lamp T-12 Electronic -20°F Start High Output Recessed Double Contact	LZ2NE1 - 60201	LZ2SE1 - 60230

<sup>Ⓢ</sup> Digit after E is number of lamps energized during power loss. For optional fused ballasts, add to catalog number F1 for 120V, F4 for 277V, F8 for 230V. Fusing no for marine or Canadian use. Lamps not included.  
<sup>Ⓢ</sup> Magnetic ballast

REPLACEMENT BATTERY UNIT	
<sup>Ⓢ</sup> KFBP7	<sup>Ⓢ</sup> KFBP7HO

EMERGENCY LUMEN CHART	
LAMPS	INITIAL LUMENS
2 X 17 T8	550
1 X 40 BIAxIAL	900
1 X 55 BIAxIAL	950
1 X 28 T5	1175
1 X 32 T8 ( E1 )	925
2 X 32 T8 ( E2 )	625
2 X 40 T12	610
1 X 44 T8	950
1 X 54 T5	1200
1 X 60 T12	780



# LIGHTING

## HFXE SERIES



### LINEAR FLUORESCENT EMERGENCY LIGHTING



4' Nominal Style



2' Nominal Style

**Class I, Div. 1 & 2, Groups C,D**  
**Class I, Zones 1 & 2, Groups IIB, IIA**  
**Class II, Div. 1 & 2, Groups E,F,G**  
**Class III, Div. 1 & 2**  
**NEMA 3, 7(C,D) 9(E,F,G)**  
**Suitable for wet locations**



- File E12976 and E89665 (Marine)  
 3 UL 924, UL 844



Certified - File LR11713

#### FEATURES-SPECIFICATIONS Applications

HFXE Series Emergency Lighting fixtures provide continuous illumination under normal power and switch to emergency battery backup during power outages. Units contain a battery unit that provides the OSHA required 90 minutes of illumination for egress.

Units are designed for installations where moisture, dirt, dust, corrosion and vibration may be present, or wet locations where wind, water and snow can be expected. They can also be used in locations made hazardous due to the presence of flammable or explosive gases, vapors and combustible ducts as defined by the NEC.

#### Features

- Construction is strong lightweight corrosion resistant copper-free aluminum alloy, less than 4/10 of 1%
- All external hardware is corrosion resistant 316 stainless steel to provide maintenance free long life
- World voltage ballasts standard on 32W and BIAxIAL models (120-277V 50/60 Hz)
- LED charging indicator light on ballast enclosure.

See page L172 for Dimensions and Accessories

HFXE FLUORESCENT EMERGENCY LIGHTING				
CATALOG NUMBER <sup>①②</sup>	CONDUIT SIZE	LINE VOLTAGE	DESCRIPTION	PROFILE
HFXE2-265-302	3/4"	120-277V 50/60 Hz	32W T8 electronic ballast 265MA	 Two Glass Tubes 4' Nominal
HFXE2-430-12		120V 60 Hz	40W T12 electronic ballast 430MA	
HFXE2-430-42		277V 60 Hz	40W T12 electronic ballast 430MA	
HFXE2-460-302		120V-277V 50/60 Hz	54W T5HO Electronic Ballast 460MA	
HFXE1-800-12		120V 60 Hz	60W T12 electronic ballast 800MA	
HFXE1-800-42		277V 60 Hz	60W T12 electronic ballast 800MA	
HFXE2-265-303	3/4"	120-277V 50/60 Hz	32W T8 electronic ballast 265MA	 Three Glass Tubes 4' Nominal
HFXE2-430-13		120V 60 Hz	40W T12 electronic ballast 430MA	
HFXE2-430-43		277V 60 Hz	40W T12 electronic ballast 430MA	
HFXE2-460-303		120V-277V 50/60 Hz	54W T5HO Electronic Ballast 460MA	
HFXE1-800-13		120V 60 Hz	60W T12 electronic ballast 800MA	
HFXE2-265-304	3/4" ③	120-277V 50/60 Hz	32W T8 electronic ballast 265MA	 Four Glass Tubes 4' Nominal
HFXE2-430-14		120V 60 Hz	40W T12 electronic ballast 430MA	
HFXE2-430-44		277V 60 Hz	40W T12 electronic ballast 430MA	
HFXE1-800-14		120V 60 Hz	60W T12 electronic ballast 800MA	
HFXE1-800-44		277V 60 Hz	60W T12 electronic ballast 800MA	
BIAxIAL SERIES				
HFXE1-40T-302	3/4"	120-277V 50/60 HZ	2' 2 Lamp 40W BIAxIAL	 Two Glass Tubes 4' Nominal
HFXE1-55T-302			2' 2 Lamp 55W BIAxIAL	
HFXE1-40T-304			4' 4 Lamp 40W BIAxIAL	
HFXE1-55T-304			4' 4 Lamp 55W BIAxIAL	

① Digit after "E" in catalog logic indicates number of lamps energized in emergency mode.

② Consult non-emergency HFX pages L164-169 for thermal, dimensional and other data, plus for available accessories. 40W & 60W are not available with universal voltage or 240V 50Hz ballasts.

③ 1, 2 and 3 tube models are third party certified. 4 tube models are self-certified.

NOTES: For fusing, add suffix F1 for 120V; F4 for 277V.  
 Emergency unit will start lamps at 0°F  
 32W T8 electronic ballast minimum start is 0°F  
 40W ballast is electronic with 50°F start  
 60W ballast start at -20°F  
 32W & 40W units operate 2 lamps in emergency mode for a maximum illumination  
 60W and BIAxIAL units operate a single lamp. 3 lamp 277V 60W emergency units not available.  
 Replacement Battery Pack #KFBP10

EMERGENCY LUMEN CHART		
LAMPS	INITIAL LUMENS	AFTER 90 MINUTES
2 32W lamps	1350	900
2 40W lamps	1100	640
1 60W lamp	1200	810
1 40W BIAxIAL	900	540
1 55W BIAxIAL	900	465



## COMPACT FLUORESCENT EMERGENCY LIGHTING



**Class I, Div. 1 & 2, Groups C,D**  
**Class I, Zones 1 & 2, Groups IIB, IIA**  
**Class II, Div. 1 & 2, Groups E,F,G**  
**Class III**  
**NEMA 3**

**UL** Compliances: UL 844; UL 1570, UL924 (File E162407)

UL Wet Location Listed (Indoor & Outdoor)  
 Rated for 40C° ambient. Minimum start 0° C

Temperature codes:

Class I C, D T6;  
 Class II E, F, G T4;  
 Suitable for Class III

**SP** Certified File LR11713

### FEATURES-SPECIFICATIONS

## HOSTILELITE® E

EMERGENCY

#### Applications

HOSTILELITE® EEQ Emergency Lighting fixtures provide continuous illumination under normal power and switch to emergency battery backup during power outages. Emergency Units ONLY are available that operate only when normal power fails.

Units contain battery unit that provides the OSHA required 90 minutes of illumination (same lamp) for egress.

Units are designed for general and task lighting indoors or outdoors where flammable gases or vapors or combustible dusts exist and create a hazardous location, as defined by the NEC.

See Page L211 for available Push-To-Test hazardous location control stations.

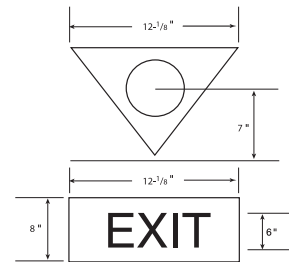
#### Features

- Quad-Pin long-life triple-tube compact fluorescent lamps included
- Choice of Pendant, Ceiling, Wall or Stanchion mount
- Factory Sealed - No external seal required
- Corrosion resistant-Copper-free aluminum (less than 4/10 of 1%) die-cast construction w/Baked-on epoxy/polyester powder finish
- Exposed hardware is 316 grade stainless steel
- LED charging indicator light visible through lens

#### Accessories

Exit sign: Model **HEXA-100** (note omit 2nd "G" in catalog number for globe-only fixture).

Reflectors: Use standard dome **ERSD15** or angle model **ERA15**.



### EEQ 26 , 32 & 42 WATT EMERGENCY- ONLY MODE FIXTURES

QUAD-PIN FLUOR. LAMP INCLUDED	LINE VOLTAGE @ 50/60 HZ	CATALOG NUMBER ③④⑥			
		PENDANT 3/4" ①	CEILING 3/4" ①	BRACKET 3/4" ①	STANCHION 1-1/4" ②
26Watt	120 - 277VAC⑤	EEQ0026E30A2G	EEQ0026E30X2G	EEQ0026E30B2G	EEQ0026E30D4G
32Watt	120 - 277VAC⑤	EEQ0032E30A2G	EEQ0032E30X2G	EEQ0032E30B2G	EEQ0032E30D4G
42Watt	120 - 277VAC⑤	EEQ0042E30A2G	EEQ0042E30X2G	EEQ0042E30B2G	EEQ0042E30D4G

### EEQ 26 , 32 & 42 WATT NORMAL & EMERGENCY MODE FIXTURES

QUAD-PIN FLUOR. LAMP INCLUDED	LINE VOLTAGE @ 50/60 HZ	CATALOG NUMBER ③④⑥			
		PENDANT 3/4" ①	CEILING 3/4" ①	BRACKET 3/4" ①	STANCHION 1-1/4" ②
26Watt	120 - 277VAC ⑤	EEQ2626E30A2G	EEQ2626E30X2G	EEQ2626E30B2G	EEQ2626E30D4G
32Watt	120 - 277VAC ⑤	EEQ3232E30A2G	EEQ3232E30X2G	EEQ3232E30B2G	EEQ3232E30D4G
42Watt	120 - 277VAC ⑤	EEQ4242E30A2G	EEQ4242E30X2G	EEQ4242E30B2G	EEQ4242E30D4G

① Pendant, Ceiling & Bracket models may be changed to 1" hubs by changing the 12th character from 2 to 3; e.g. EEQ2626E10A3GG.

② Stanchion fixtures are 1-1/2" with a 1-1/2 to 1-1/4" reducer.

③ Omit 2nd "G" for globe-only fixture for use with HEXA-100 Exit Accessory.

④ Standard color for fixtures is Killark beige. Add -R for RED adder.

⑤ All EEQ fixtures are factory set to 120V and can be changed to 277V in field by following included instructions. Replacement battery pack kit KFBP9.

⑥ EEQ fixtures use a tank extension ring and are 2-1/2" taller than EBF fixtures.

⑦ Photometric characteristics similar to EBF26, except adjusted for lumen output.

#### LUMEN OUTPUT ⑦

LAMP SOURCE	NORMAL POWER	EMERG. POWER
26Watt	1800	450
32Watt	2400	575
42Watt	3200	750

#### BALLAST DATA

LAMP WATTS	VOLTAGE	OPERATING AMPS	INPUT WATTS	BALLAST CIRCUIT	REGULATION
26Watt (1x26)	120 / 277 VAC	.24@120V / .11 @277V	29	HPF	Electronic
32Watt (1x32)	120 / 277 VAC	.31@120V / .13 @277V	36	HPF	Electronic
42Watt (1x42)	122 / 277 VAC	.38@120V / .17 @277V	46	HPF	Electronic

# LIGHTING

EBB SERIES



## HALOGEN LAMP EMERGENCY LIGHTING



**Class I, Div. 1 & 2, Groups C,D**  
**Class I, Zones 1 & 2, Groups IIB, IIA**  
**Class II, Div. 1 & 2 Groups E,F,G**  
**Class III, Div. 1 & 2**  
**NEMA 7CD, 9EFG**

- Listed File E162407  
UL-844 Electric Lighting Fixtures for use in Hazardous Locations
- UL-924 Emergency Lighting & Power Equipment Certified File LR11713

### FEATURES-SPECIFICATIONS

## HOSTILE<sup>ITE</sup>® E EMERGENCY

#### Applications

Where required by NEC, Life Safety Code, etc., to provide illumination during interruption of normal power to lighting system.

Hazardous Locations (gas, vapor, dust), include such areas as: Oil & Gas Refining, Production & Storage, Grain Processing, Paint Manufacture.

#### Features

- Patented design three high intensity lamps can be independently adjusted to provide custom emergency lighting to a specific area
- Three 20 watt MR16 lamps included
- Pendant, bracket and ceiling mounting styles for a mounting arrangement that suits any lighting layout
- Remote hazardous location test station (included) allows testing of fixture at a convenient ground level location
- Factory wired for 120V; can be field changed to 208/240/277V.
- Four tough, long life lead-acid batteries require no maintenance and have a 12 VDC output of 60 watts for 90 minutes
- Safety disconnect feature automatically disconnects lamps from battery if globe is removed
- Solid state battery charger has a low voltage disconnect feature
- Red pilot light, easily visible inside globe, indicates AC power is being supplied to batter charger

- Fixture housings are factory sealed by the electro-mechanical connection block
- The only wiring required is attaching supply wires to the integral female connection block in the mounting cap. Threading fixture onto mounting cap makes the electrical connection
- Electrical continuity is not made during assembly or disassembly without five or more threads secured to insure a flame path
- Suitable in ambients 0°C to 40°C
- Patented design

EBB ACCESSORIES	
CATALOG NUMBER	DESCRIPTION
EZG1	Guard (die cast aluminum)
VMPSD40	Reflector (standard dome)
EBB-L12	MR16 12 volt lamp
17505AAAB	MR16 lamp socket
EBB-RB	Rechargeable battery (4 used per unit)
EBB-BC	Battery charger (circuit board)
EBB-TRANS*	Transformer Kit 120, 208, 240, 277V
EBB-PL	LED pilot light



Remote test station (included) allows "Push-To-Test" at a location convenient to the user. ©

EBB HALOGEN EMERGENCY LIGHTING						
ANSI LAMP TYPE	WATTS	VOLTAGE ①	HUB SIZE	CATALOG NUMBER		
				PENDANT	WALL	CEILING
MR16	3x20W	120, 208, 240, 277V	3/4"	EBB32010A2	EBB32010B2	—
			1"	EBB32010A3	EBB32010B3	EBB32010X3

① Suitable for 220V/50Hz.

HAZARDOUS LOCATION APPLICATION DATA					
LAMP TYPE	LAMP WATTS	RATED AMBIENT DEGREES	MAX SURFACE TEMPERATURE		
			CLASS I	CLASS II	SIMULTANEOUS CLASS I & II
MR16 Halogen	60W Total	40°C	T6 (85°C)	T5 (100°C)	T5 (100°C)

Note: EBB Series fixtures should not be stored for extended periods before energizing.

\* Replaces #17506AAAB.

© Furnished with 3/4" feed thru mounting box. For Push-To-Test N.C. momentary cover only. Use also with HFXE, VE3Q, EEQ, and LZ2NE. Cover only XGS-0B2-PTT. Order SWB back box separately.



## HALOGEN LAMP EMERGENCY LIGHTING



Pendant



Ceiling



Wall Mount

### FEATURES-SPECIFICATIONS

Dimensions: See EZ 50-250 Watt dimensions on page L159

Factory sealed; external seals not required

Cast of copper-free Aluminum (Less than 0.4% copper)

Electrostatically applied epoxy polyester finish is baked on for high density corrosion protection

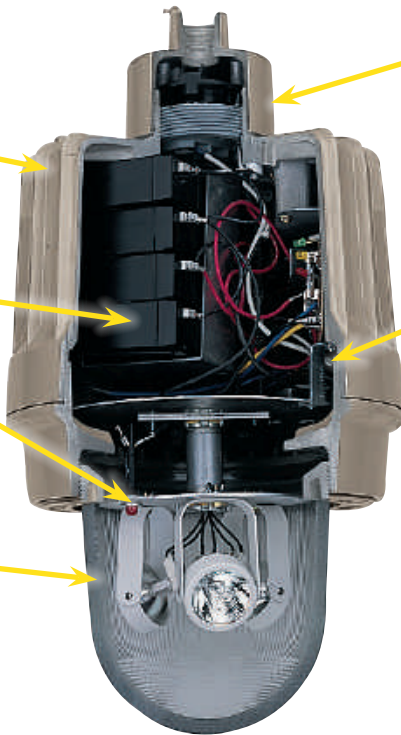
Four lead-acid batteries are maintenance free and provide 60 watts to the lamps for 90 minutes\*

Red pilot light indicates AC power flow to battery charger

Lamps automatically disconnect from battery if globe is disengaged

Glass globe prestressed for heat and impact resistance - Globe is internally fluted on sides and prismatic on bottom

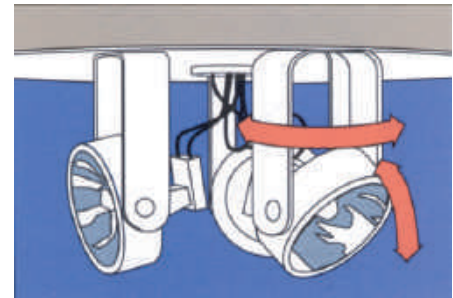
\* EBB Series fixtures should not be stored for extended periods before energizing.



Wireless assembly of fixture tank to mounting cap — Electro-mechanical male/female block allows fast, easy installation and bench top servicing without disconnecting supply wires

Nameplate displays Third Party Certifications and ratings in English and French (large red plate identifies it as an emergency fixture)

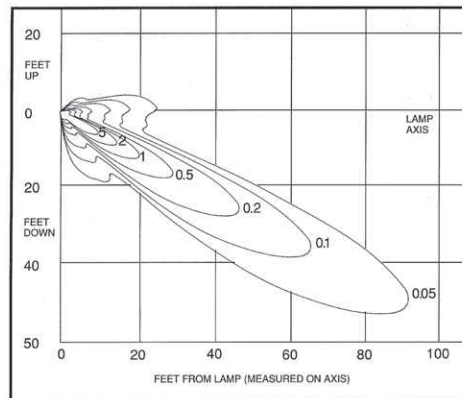
Acme double lead threads assure quick and trouble free assembly



Lamps adjustable on 2 axis for maximum aiming flexibility.

### VEXA400 Exit Accessory

- White painted steel frame
- 8" Red Letters
- 5 Panes: 3 Exit and 2 Blank
- Fits EBB and VE4Q with globe only
- Dimensions: 14.57" x 9.22"
- Spanish Available  
**VEXA400-SALIDA**



### Photometrics

Typical vertical ISO foot candle distribution.

One 20 watt lamp aimed at 20° below horizontal.

Note: Some minor variations in light spread will occur as each lamp is rotated up/ down within the glass globe.



# LIGHTING

## STROBE SIGNAL LIGHT



Class I, Div. 1 & 2, Groups C,D  
 Class I, Zones 1 & 2, Groups IIB, IIA  
 Class II, Div. 1 & 2 Groups E,F,G  
 Class III, Div. 1 & 2  
 Suitable for wet locations  
 UL Marine Rated (US only)  
 NEMA 3, 4X  
 Factory sealed

UL LISTED - File E84609

SP Certified - File LR11713

### FEATURES-SPECIFICATIONS

## HOSTILELITE®

#### Applications

HOSTILELITE® ESX Series strobe fixtures can be an excellent warning device in hazardous, hostile or wet locations where hearing is impaired due to high ambient noise conditions.

#### Compliances

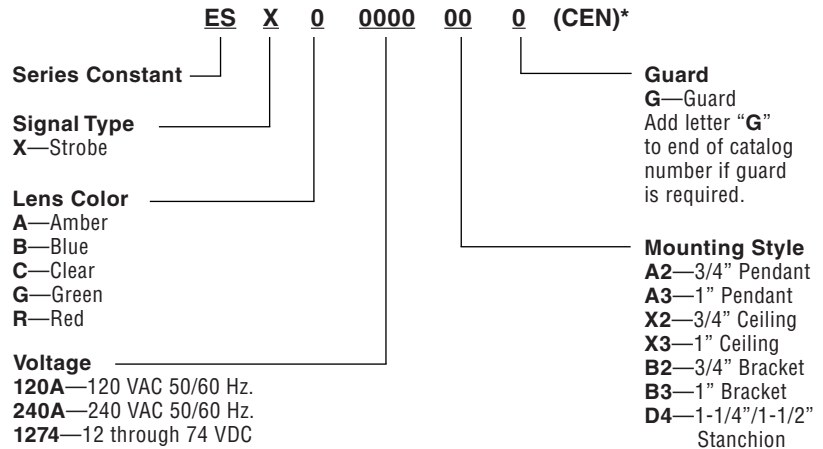
- UL-1203 explosion-proof and dust ignition-proof electrical equipment for use in hazardous (classified) locations
- UL-1638 visual signaling appliances
- UL Marine-type electric lighting fixtures
- NEMA 3, 4, 4X, 7CD, 9EFG

#### Specifications

- Electronic component temperature range -40°C to +55°C
- NEC temperature code, T6 (<85°C)
- Flash rate—85 flashes per minute
- Xenon type lamp
- Voltage and amperage:  
 12-74 VDC:  
 Draws 1.25A avg. @ 12 VDC tapering to 0.2A avg. @ 74 VDC, .75A avg. @ 24 VDC  
 120 VAC (50/60 HZ):  
 Draws 0.30A avg.  
 240 VAC (50/60 HZ):  
 Draws 0.17A avg.
- Power supply output:  
 13 watts standard  
 11 watts for 12-74 VDC

- Intensity:  
 Clear 200 candela effective  
 Amber 170 candela effective  
 Blue 90 candela effective  
 Red 40 candela effective  
 Green 70 candela effective

#### Catalog Number Logic



\*CEN (CENELEC) approved option available. See pages L150 for more information. ESX Series strobes with CENELEC labeling are rated T6 by PTB.

REPLACEMENT POWER SUPPLY	
CATALOG NUMBER	VOLTAGE
ESX120PS	120VAC, 50/60 HZ.
ESX240PS	220/240VAC, 50/60 HZ.
ESX1274PS	12-74 VDC

REPLACEMENT LENS & LAMP ASSEMBLY	
CATALOG NUMBER	DESCRIPTION
ESXAL	Amber
ESXBL	Blue
ESXCL	Clear
ESXGL	Green
ESXRL	Red
EMGS2	Rep globe support assembly



## STROBE SIGNAL LIGHT



### FEATURES-SPECIFICATIONS



Pendant



Ceiling



Wall



Stanchion

PENDANT ESX STROBE SIGNAL LIGHT ① ②			
LAMP TYPE	HUB SIZE ③	VOLTAGE @60 HERTZ	CATALOG NUMBER GLOBE AND MOUNT ①
STROBE	3/4"	120 VAC, 50/60 HZ.	ESXR120AA2
		240 VAC, 50/60 HZ.	ESXR240AA2
		12-74 VDC	ESXR1274A2

CEILING ESX STROBE SIGNAL LIGHT ① ②			
LAMP TYPE	HUB SIZE ③	VOLTAGE @60 HERTZ	CATALOG NUMBER GLOBE AND MOUNT ①
STROBE	3/4"	120 VAC, 50/60 HZ.	ESXR120AX2
		240 VAC, 50/60 HZ.	ESXR240AX2
		12-74 VDC	ESXR1274X2

WALL ESX STROBE SIGNAL LIGHT ① ②			
LAMP TYPE	HUB SIZE ③	VOLTAGE @60 HERTZ	CATALOG NUMBER GLOBE AND MOUNT ①
STROBE	3/4"	120 VAC, 50/60 HZ.	ESXR120AB2
		240 VAC, 50/60 HZ.	ESXR240AB2
		12-74 VDC	ESXR1274B2

STANCHION ESX STROBE SIGNAL LIGHT ① ②			
LAMP TYPE	HUB SIZE ④	VOLTAGE @60 HERTZ	CATALOG NUMBER GLOBE AND MOUNT ①
STROBE	1-1/4"	120 VAC, 50/60 HZ.	ESXR120AD4
		240 VAC, 50/60 HZ.	ESXR240AD4
		12-74 VDC	ESXR1274D4

① Catalog numbers do not include guards. To order add letter "G" to end of catalog number or order EMG2 separately.

② Catalog numbers include Red lens. To specify different colored lens, change fourth character in catalog number to one of the following: "B"=Blue, "C"=Clear, "A"=Amber, "G"=Green.

③ Standard hub size is 3/4" NPT. To order 1" NPT, change last character of catalog number from "2" to "3".

④ Stanchion mount is standard with 1-1/2" NPT and a 1-1/2" NPT to 1-1/4" NPT reducer installed.

NOTE: See EM series for dimensions, page L149.

# LIGHTING

NVS SERIES



## NON-METALLIC CORROSION RESISTANT SIGNALS



Pendant LED



Ceiling LED



Wall Xenon

Class I, Div. 2, Groups A,B,C,D  
 Class I, Zone 2, Groups IIC, IIB, IIA  
 Class II, Div. 1&2, Group F,G;  
 Class III  
 CSA Enclosure Type 4X, IP66  
 NEMA 4X, Marine Rated (US only)

SP Certified - File LBJ1085



### FEATURES-SPECIFICATIONS

# ENVIRORITE®

### Signal Luminaires

#### Applications

These new signal luminaires can be excellent warning devices in corrosive, wet NEMA 4X harsh environments, and in hazardous locations.

NVS signals contain no exposed glass and carry Class II, F&G ratings required for many food processing areas.

#### Features

- NVSL Series LED with very compact profile and 50,000 hours expected life; steady - on or flashing.
- NVSZ Series Xenon with 10,000 hours expected life; flashing only.
- LED utilizes inverted cone design to provide full 360 degree coverage for more light projection.
- LED and Xenon available in five colors colors - red, green, amber, blue and clear.
- Flash rate for LED is 7 micro flashes approximately every second for increased visual perception.
- Xenon flash rate 60 to 80 per minute
- Can be mounted in any orientation including lens in the UP or SIDE positions.
- Materials: High strength 30% glass-filled thermoset polyester body with Lexan® \* lens.
- Resists corrosive effects of most chemicals, hydrocarbons and solvents
- Designed for indoor and outdoor applications

#### Catalog Numeric Logic

NVS L C F G 01 A A G  
 1 2 3 4 5 6 7 8 9

**1 NVS - Series Constant**  
 Non-Metallic Signal

**2 Source**  
 L = LED  
 Z = Xenon

**3 Fixture Size**  
 C = Compact LED  
 M = Medium Xenon

**4 Flash State**  
 F = Flashing LED or Xenon  
 S = Steady LED

**5 Color (Body, Mount, Guard)**  
 G = Gray

**6 Voltage**  
 01 - 120VAC 50/60Hz Xenon model  
 08 - 240VAC 50/60Hz Xenon model  
 25 - 120-240VAC 50/60Hz LED model  
 26 - 12-80VDC (24VAC) LED or Xenon

**7 Color of Strobe**  
 A = Amber, R = Red, G = Green, B = Blue,  
 C = Clear

**8 Mount Type**  
 A = 3/4" pendant  
 X = 3/4" Ceiling  
 B = 3/4" Wall Bracket (consists of ceiling box and elbow to support body)  
 M = M20 Ceiling  
 W = M20 Wall Mount

**9 Guard**  
 G = Guard  
 N = No Guard  
 Example: NVSLCFG25AAG  
 LED Gray Body Flashing Amber  
 Pendant w/Guard 120-240VAC

HAZARDOUS LOCATION SUITABILITY				
SOURCE	SERIES	CL1 DIV.2	CL2 DIV.1	AMBIENT RANGE
		OPERATING TEMP. CODE	OPERATING TEMP. CODE	
LED	NVSLC	T6	F,G	-40°C to +40°C
Xenon	NVSZM	T2C	F,G	-40°C to +40°C

	INTENSITY IN CANDELLAS	FLASHING	STEADY
	LED	Amber	4.3/7.4*
Red		5.9/10.1*	15.4
Green		4.5/7.8*	11.8
Blue		2.5/4.3*	6.6
Xenon	Clear	4.8/8.2*	12.5
	Amber	40	-
	Red	10	-
	Green	20	-
	Blue	20	-
	Clear	50	-

\*CD-S/CD-Effective

ELECTRICAL RATINGS MAX.		
LED	120VAC	040mA Flash
	240VAC	020mA Flash
	12VDC	400mA
	80VDC	60mA
	24VAC	198mA Flash
Xenon	120VAC	.04 Avg.
	240VAC	.02 Avg.
	12VDC	.40 Avg.
	80VDC	.05 Avg.
	24VAC	.35 Avg.

SP to the following standards:

- UL 1598 Standard for luminaires
- UL 1598A Marine type luminaires
- UL 844 Standard for lighting fixtures for hazardous locations
- UL 1638 Standard for visual signalling applications
- CSA C22.2 no.137-M1981 electric luminaires for use in hazardous locations
- Enclosed and gasketed, NEMA 3, 4X IP66

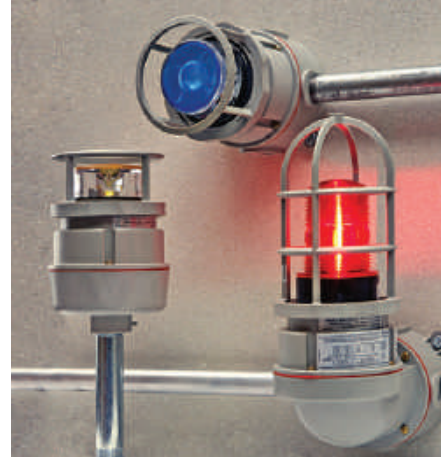
\* Lexan® is a registered trademark of General Electric.



## NON-METALLIC CORROSION RESISTANT SIGNALS



Down & side orientation



Up & side orientation

### FEATURES-SPECIFICATIONS

NVS SERIES DESCRIPTION / CATALOG ORDERING INFORMATION						
	3/4" PENDANT	AMBER	RED	GREEN	BLUE	CLEAR
LED	Flashing 120-240VAC	NVSLCFG25AAG	NVSLCFG25RAG	NVSLCFG25GAG	NVSLCFG25BAG	NVSLCFG25CAG
	Flashing 12-80VDC; 24VAC	NVSLCFG26AAG	NVSLCFG26RAG	NVSLCFG26GAG	NVSLCFG26BAG	NVSLCFG26CAG
	Steady 120-240VAC	NVSLCSG25AAG	NVSLCSG25RAG	NVSLCSG25GAG	NVSLCSG25BAG	NVSLCSG25CAG
	Steady 12-80VDC; 24VAC	NVSLCSG26AAG	NVSLCSG26RAG	NVSLCSG26GAG	NVSLCSG26BAG	NVSLCSG26CAG
XENON	Flashing 120VAC	NVSMFG01AAG	NVSMFG01RAG	NVSMFG01GAG	NVSMFG01BAG	NVSMFG01CAG
	Flashing 12-80VDC; 24VAC	NVSMFG26AAG	NVSMFG26RAG	NVSMFG26GAG	NVSMFG26BAG	NVSMFG26CAG
	Flashing 240VAC	NVSMFG08AAG	NVSMFG08RAG	NVSMFG08GAG	NVSMFG08BAG	NVSMFG08CAG
	3/4" CEILING	AMBER	RED	GREEN	BLUE	CLEAR
LED	Flashing 120-240VAC	NVSLCFG25AXG	NVSLCFG25RXG	NVSLCFG25GXG	NVSLCFG25BXG	NVSLCFG25CXG
	Flashing 12-80VDC; 24VAC	NVSLCFG26AXG	NVSLCFG26RXG	NVSLCFG26GXG	NVSLCFG26BXG	NVSLCFG26CXG
	Steady 120-240VAC	NVSLCSG25AXG	NVSLCSG25RXG	NVSLCSG25GXG	NVSLCSG25BXG	NVSLCSG25CXG
	Steady 12-80VDC; 24VAC	NVSLCSG26AXG	NVSLCSG26RXG	NVSLCSG26GXG	NVSLCSG26BXG	NVSLCSG26CXG
XENON	Flashing 120VAC	NVSMFG01AXG	NVSMFG01RXG	NVSMFG01GXG	NVSMFG01BXG	NVSMFG01CXG
	Flashing 12-80VDC; 24VAC	NVSMFG26AXG	NVSMFG26RXG	NVSMFG26GXG	NVSMFG26BXG	NVSMFG26CXG
	Flashing 240VAC	NVSMFG08AXG	NVSMFG08RXG	NVSMFG08GXG	NVSMFG08BXG	NVSMFG08CXG
	3/4" WALL	AMBER	RED	GREEN	BLUE	CLEAR
LED	Flashing 120-240VAC	NVSLCFG25ABG	NVSLCFG25RBG	NVSLCFG25GBG	NVSLCFG25BBG	NVSLCFG25CBG
	Flashing 12-80VDC; 24VAC	NVSLCFG26ABG	NVSLCFG26RBG	NVSLCFG26GBG	NVSLCFG26BBG	NVSLCFG26CBG
	Steady 120-240VAC	NVSLCSG25ABG	NVSLCSG25RBG	NVSLCSG25GBG	NVSLCSG25BBG	NVSLCSG25CBG
	Steady 12-80VDC; 24VAC	NVSLCSG26ABG	NVSLCSG26RBG	NVSLCSG26GBG	NVSLCSG26BBG	NVSLCSG26CBG
XENON	Flashing 120VAC	NVSMFG01ABG	NVSMFG01RBG	NVSMFG01GBG	NVSMFG01BBG	NVSMFG01CBG
	Flashing 12-80VDC; 24VAC	NVSMFG26ABG	NVSMFG26RBG	NVSMFG26GBG	NVSMFG26BBG	NVSMFG26CBG
	Flashing 240VAC	NVSMFG08ABG	NVSMFG08RBG	NVSMFG08GBG	NVSMFG08BBG	NVSMFG08CBG





COMPONENT / REPLACEMENT PARTS	
CATALOG NO.	DESCRIPTION
<b>NVSLC LED SERIES ①</b>	
NVSLCFG25A	LED BODY AMBR FLASH 120-240VAC
NVSLCFG25R	LED BODY RED FLASH 120-240VAC
NVSLCFG25G	LED BODY GRN FLASH 120-240VAC
NVSLCFG25B	LED BODY BLUE FLASH 120-240VAC
NVSLCFG25C	LED BODY CLR FLASH 120-240VAC
NVSLCSG25A	LED BODY AMBR STEADY 120-240VAC
NVSLCSG25R	LED BODY RED STEADY 120-240VAC
NVSLCSG25G	LED BODY GRN STEADY 120-240VAC
NVSLCSG25B	LED BODY BLUE STEADY 120-240VAC
NVSLCSG25C	LED BODY CLR STEADY 120-240VAC
NVSLCFG26A	LED BODY AMBR FLASH 12-80VDC: 24VAC
NVSLCFG26R	LED BODY RED FLASH 12-80VDC: 24VAC
NVSLCFG26G	LED BODY GRN FLASH 12-80VDC: 24VAC
NVSLCFG26B	LED BODY BLUE FLASH 12-80VDC: 24VAC
NVSLCFG26C	LED BODY CLR FLASH 12-80VDC: 24VAC
NVSLCSG26A	LED BODY AMBR STEADY 12-80VDC: 24VAC
NVSLCSG26R	LED BODY RED STEADY 12-80VDC: 24VAC
NVSLCSG26G	LED BODY GRN STEADY 12-80VDC: 24VAC
NVSLCSG26B	LED BODY BLUE STEADY 12-80VDC: 24VAC
NVSLCSG26C	LED BODY CLR STEADY 12-80VDC: 24VAC

NV2GG-S NVSLC Compact LED Guard

① Body and Lens w/o Mounting Box or Guard

NVSZM XENON SERIES ②	
NVSZMFG01	NVS XENON BODY with LAMP 120VAC
NVSZMFG08	NVS XENON BODY with LAMP 240VAC
NVSZMFG26	NVS XENON BODY with LAMP 12-80VDC; 24VAC
NVSZ-LAMP	NVS XENON REPLACEMENT LAMP
NVSMA	NVS AMBER LENS & GASKET
NVSMR	NVS RED LENS & GASKET
NVSMG	NVS GREEN LENS & GASKET
NVSMB	NVS BLUE LENS & GASKET
NVSMC	NVS CLEAR LENS & GASKET
NV2GG	NVSZM MEDIUM XENON GUARD

② Body and Power Supply w/ Lamp

NVS MOUNTING BOXES ③	
NV2XG	NVS Ceiling/Wall Mtg Box
NV2AG	NVS Pendant Box
NV2BG	NVS Wall Elbow (use with NV2XG/ NV2MG Box)
NV2MG	NVS M20 Ceiling/Wall Mtg Box

③ See NV2 series for additional information

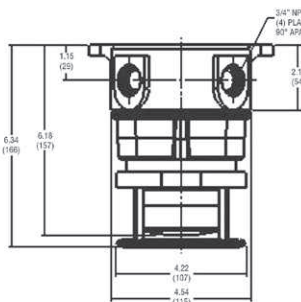
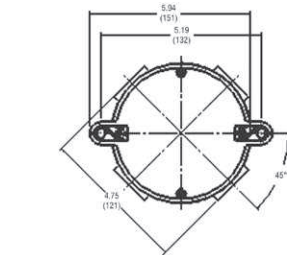


NV2GG-S  
Compact Guard

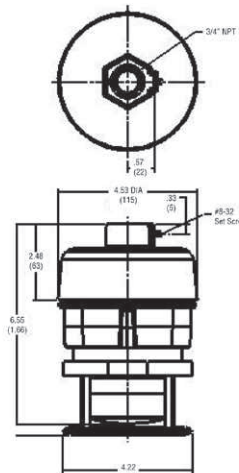


NV2GG  
Medium Guard

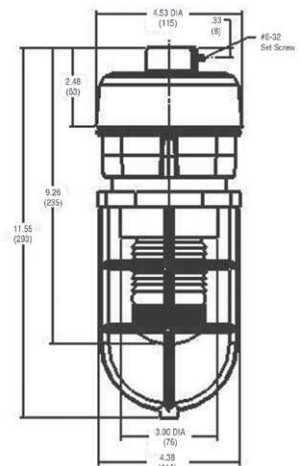
**DIMENSIONS**



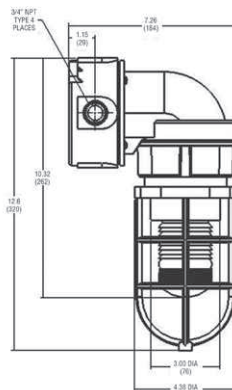
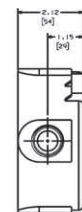
Ceiling/Wall  
NVSL LED



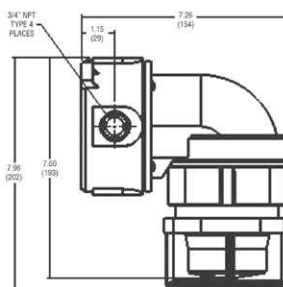
Pendant  
NVSL LED



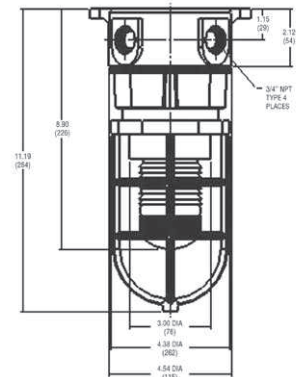
Pendant  
NVSZ Xenon



Wall  
NVSZ Xenon



Wall  
NVSL LED



Ceiling/Wall  
NVSZ Xenon



## FIXTURE HANGERS



FKA



FH



HOOKLOOP

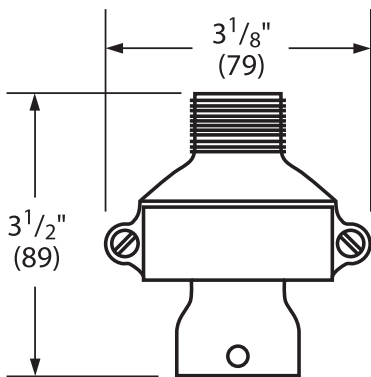
### FEATURES-SPECIFICATIONS

#### FKA

##### Features

- Ball joint permits fixture to hang plumb. Fixture may swing up to 20° from vertical in any direction
- Cast of aluminum alloy (copper-free aluminum; less than 4/10 of 1%)
- Set screw locks fixture stem in place. Cannot accidentally loosen – intended for use with threaded metal conduit
- Joint cannot twist conductor
- Suitable for fixtures up to 125 pounds

FKA		
CATALOG NUMBER	MALE THREAD	FIXTURE STEM SIZE
FKA-22	3/4"	3/4"



For replacement ball only catalog number 00890545



Listed - File E27731



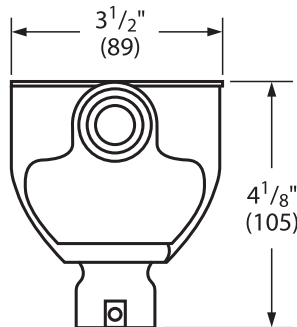
Certified - File LR11851  
See files for details or call Killark.

#### FH

##### Features

- Combination splice box and flexible fixture hanger
- Ball joint permits fixture to hang plumb. Fixture may swing up to 20° from vertical
- Cast of aluminum alloy (copper-free aluminum; less than 4/10 of 1%)
- Set screw locks fixture stem in place – intended for use with threaded metal conduit
- Joint cannot twist conductors
- Cover may be removed for easy wiring – 11 cu. inches
- Mounts directly to metal conduit
- Suitable for fixtures up to 125 pounds

FH			
TWO HUBS	THREE HUBS	CONDUIT SIZE	FIXTURE STEM SIZE
FEED THRU	T		
FHC-21	FHT- 21	3/4"	1/2"
FHC-22	FHT-22	3/4"	3/4"



For replacement ball only catalog number 00890545



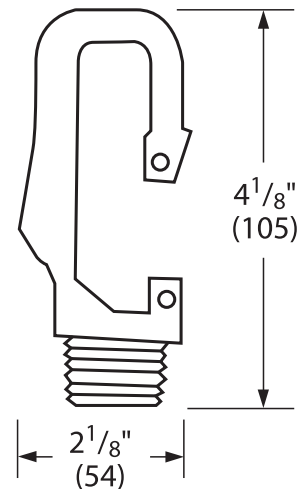
Listed - File E27731

#### HOOKLOOP

##### Features

- Pendant fixture hanger consists of a "HOOK" and safety bar which allows conversion to a "LOOP" configuration as necessary
- 3/4" male thread
- Maximum load 125 pounds

HOOKLOOP
CATALOG NUMBER
HOOKLOOP



# LIGHTING

FH/VX SERIES



## FIXTURE HANGERS



Hook

### V Hanger Boxes



VGA



VGC



VGH



VGX

### Covers



Flexible Hanger Covers



Hub Covers (for Rigid Mounting)

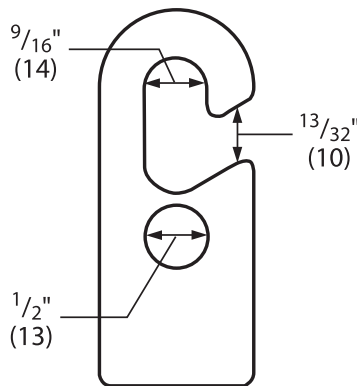
## FEATURES-SPECIFICATIONS

### FH HOOK

#### Features

- Economical hanger for pendant fixtures
- Fixtures may absorb minor bumps and vibration through free swinging action
- Hub provided with a set screw to pre-vent accidental loosening of fixture stem
- A 1/2 inch hole in body is for flexible cable. Cord may be assembled with plug for quick removal of fixtures
- Cast of aluminum alloy (copper-free—less than 4/10 of 1%)
- FH supports up to 125 pounds

FH HOOK, LOOP		
CATALOG NUMBER	DESCRIPTION	FIXTURE STEM SIZE
FH-2	Hook	3/4"



UL LISTED - File E27731 or E3397

See files for details or call Killark

### V SERIES

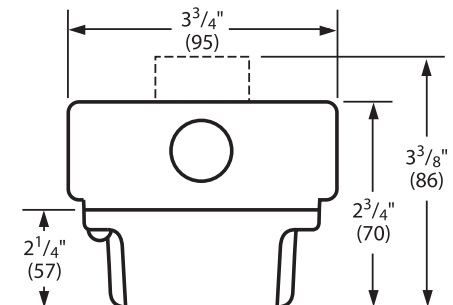
#### Features

- Flexible fixture hanger for threaded fixture stem. +120° from vertical
- Enclosed and gasketed, suitable for wet locations
- Permits angular displacement of fixture without twisting wires
- Cushioned—absorbs shock and vibration. Internal strap assures ground continuity
- Combines splice box and hanger in one unit. Splice box available in four configurations
- Cast of corrosion resistant aluminum alloy (copper-free—less than 4/10 of 1%)
- Supports up to 125 pounds

UL LISTED - File E27731 or E3397

FLEXIBLE HANGERS, V SERIES ENCLOSED AND GASKETED			
CATALOG NUMBER		HUB SIZE	FIXTURE STEM SIZE
HANGER W/SPLICE BOX	SPLICE BOX ONLY		
VPFHA-12	VGA-1	1/2"	3/4"
VPFHA-22	VGA-2	3/4"	3/4"
VPFHC-12	VGC-1	1/2"	3/4"
VPFHC-22	VGC-2	3/4"	3/4"
VPFHH-12	VGH-1	1/2"	3/4"
VPFHH-22	VGH-2	3/4"	3/4"
VPFHX-12	VGX-1	1/2"	3/4"
VPFHX-22	VGX-2	3/4"	3/4"

FIXTURE HANGERS ONLY		
CATALOG NUMBER	DESCRIPTION	FIXTURE STEM SIZE
VPFH-2	Flexible hanger cover, maximum load 125 Lbs.	3/4"
VG-2	Hub cover for rigid mounting	3/4"



Flexible cover with box, dotted line is VGA pendant



FIXTURE HANGERS



HXB



XFH



EKJ

FEATURES-SPECIFICATIONS

HXB

Class I, Div. 1 & 2, Groups C,D  
 Class I, Zones 1 & 2, Groups IIB, IIA  
 Class II, Div. 1 & 2, Groups E,F,G  
 Class III

Features

- Fixture hanger for hazardous locations combining splice box and hanger
- Set screws in female hub prevents accidental loosening of fixture stem; set screws in hub cover lock cover to the splice box
- Four hubs in "X" configuration up to 3/4"
- Flange mounting ring cast as integral part of box
- Splice box wiring hole with cover for access to box interior
- Cast of corrosion resistant aluminum alloy (copper-free aluminum; less than 4/10 of 1%)
- Supports to 125 pounds; vol. 16 cu."

UL LISTED - File E10514  
 SP Certified - File LR11716

HXB SPLICE BOX AND HANGER		
CATALOG NUMBER	CONDUIT HUB SIZE	FIXTURE STEM SIZE
HXB-11	1/2"	1/2"
HXB-12	1/2"	3/4"
HXB-21	3/4"	1/2"
HXB-22	3/4"	3/4"
HXBC	Blank Cover	
HIC-SILVER	Replacement Wiring Plug	

XFH

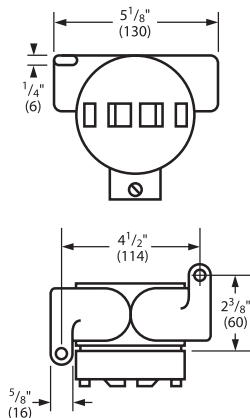
Class I, Div. 1 & 2, Groups C,D  
 Class I, Zones 1 & 2, Groups IIB, IIA  
 Class II, Div. 1 & 2, Groups E,F,G  
 Class III

Features

- Fixture hanger for hazardous locations combining splice box and hanger
- Set screws in female hub prevents accidental loosening of fixture
- Straight through conduit hubs for through feed. 20 cu"
- Mounting lugs are standard
- Cast of corrosion resistant aluminum alloy (copper-free aluminum; less than 4/10 of 1%)
- Supports to 125 pounds

UL LISTED - File E10514  
 SP Certified - File LR11716

XFH SPLICE BOX AND HANGER		
CATALOG NUMBER	CONDUIT HUB SIZE	FIXTURE STEM SIZE
XFH-21	3/4"	1/2"
XFH-22	3/4"	3/4"



EKJ

Class I, Div. 1 & 2, Groups A,B,C,D  
 Class I, Zones 1 & 2, Groups IIC, IIB, IIA  
 Class II, Div. 1 & 2, Groups E,F,G  
 Class III

Features

- Fixture pendant hanger for hazardous locations
- Permits free swing and plumb hang
- Set screws in each hub prevents accidental loosening of fixture
- Constructed of seamless bronze hose with brass outer braid. Asphaltum impregnated jute inner insulates and protects wire from abrasion. Brass female end fittings are supplied with short nipples
- Electrical ground continuity without bonding jumper
- Suitable for wet locations as well as hazardous locations
- Flexible lengths 4 to 18 inches
- Supports to 125 pounds

UL LISTED - File E10514  
 SP Certified - File LR11716

EKJ FLEXIBLE PENDANT HANGER *		
CATALOG NUMBER	CONDUIT HUB SIZE	FIXTURE STEM SIZE
EKJ-14	1/2"	4"
EKJ-24	3/4"	4"
EKJ-16	1/2"	6"
EKJ-26	3/4"	6"
EKJ-18	1/2"	8"
EKJ-28	3/4"	8"
EKJ-110	1/2"	10"
EKJ-210	3/4"	10"
EKJ-112	1/2"	12"
EKJ-212	3/4"	12"
EKJ-115	1/2"	15"
EKJ-215	3/4"	15"
EKJ-118	1/2"	18"
EKJ-218	3/4"	18"



# LIGHTING

## FIXTURE HANGERS



JL



JAL



ENY Pendant Seal

### FEATURES-SPECIFICATIONS

#### JL/JAL

Class I, Div. 1 & 2, Groups C,D  
 Class I, Zones 1 & 2, Group IIB  
 Class II, Div. 1 & 2, Groups E,F,G  
 Class III

#### Features

- Splice box and hub cover for mounting pendant fixtures in hazardous locations
- Conduit openings in two configurations

- Flange type cover. Set screw in hub prevents accidental loosening of fixture stem
- Integral lugs for mounting box to ceiling
- Cast of corrosion resistant aluminum alloy (copper-free aluminum; less than 4/10 of 1%)
- Supports up to 125 pounds

LISTED - File E10514



Certified - File LR11716

#### ENY PENDANT SEALS

Class I, Div. 1 & 2, Groups A,B,C,D  
 Class I, Zones 1 & 2, Groups IIC,IIB,IIA  
 Class II, Div. 1 & 2, Groups E,F,G  
 Class III

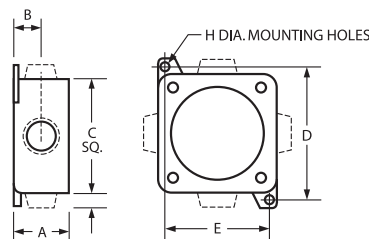
#### Features

- ENY Pendant Seals are designed for hazardous locations and meet code requirements for a safety set-screw when hanging fixtures. Common applications are for Class I Division I Group B or Class I Zone 2 Ex nR restricted breathing fixtures
- Cast of corrosion resistant aluminum alloy (copper-free aluminum; less than 4/10 of 1%)
- Supports up to 125 pounds

JL/JAL SPLICE BOX AND HUB COVER FIXTURE HANGER				
CATALOG NUMBER		CONDUIT BOX	COVER	TYPE
JL SERIES W/HUB COVER	JAL SERIES W/HUB COVER			
JLC-11	—	1/2"	1/2"	CS straight Through 
JLC-12	—	1/2"	3/4"	
JLC-21	—	3/4"	1/2"	
JLC-22	—	3/4"	3/4"	
JLX-11	JALX-11	1/2"	1/2"	XF our Hubs 
JLX-12	JALX-12	1/2"	3/4"	
JLX-21	JALX-21	3/4"	1/2"	
JLX-22	JALX-22	3/4"	3/4"	
—	JALX-31	1"	1/2"	
—	JALX-32	1"	3/4"	

CATALOG NUMBER	SIZE
ENY-2SET	3/4"

JL/JAL DIMENSIONS						
SERIES	A	B	C	D	E	F
JL	1-15/16" (49)	11/16" (17)	3-1/4" (95)	4-7/32" (107)	2-3/8" (60)	5/16" (8)
JAL	2-3/8" (60)	15/32" (12)	4-5/8" (117)	5-1/4" (133)	4-1/8" (105)	5/16" (8)





## COMPETITIVE ADAPTER

Class I, Div. 1 & 2, Groups A,B,C,D  
 Class I, Zones 1 & 2, Groups IIC,IIB,IIA  
 Class II, Div. 1 & 2, Groups E,F,G  
 Class III



### FEATURES-SPECIFICATIONS

# CERTILITE®

#### Applications

VM adapters are designed to ease upgrading of existing competitive fixtures to Killark "VM" CERTILITE® fixtures. Units are primarily designed to aid replacement of old ceiling or wall mount units where removal of the existing mounting box and conduit would be difficult or time consuming. Adapter & Killark fixtures rated NEMA 4.

Adapters allow the upgrade of older Mercury Vapor fixtures to newer HID lamp sources, Compact Fluorescent Lamps, LED Induction or to Emergency Lighting.

Series included are VQ1F, VQ2F, VE3Q, VE4Q, VM1L and VM4L.

Note: Adapters are used with Fixture Ballast Tanks (plus globes & guards), e.g. VM3S150, VMG17, VMAG17.

Complete fixture with mounting splice box is not required. Adapters are painted to match Killark beige fixture finish.

#### Features

- Allows use of CertiLite® V's patented Swing-Barrel nut for ease of maintenance. Attaches to Crouse-Hinds® mount with hinge and set screw.

#### Temperature codes:

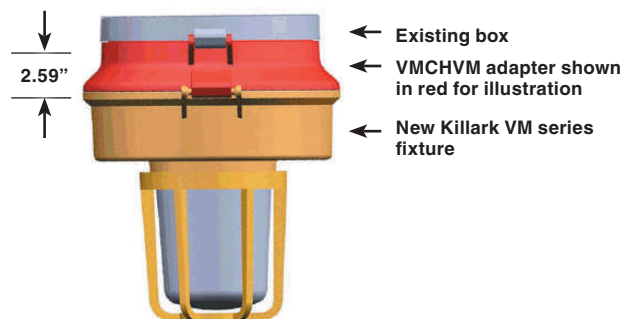
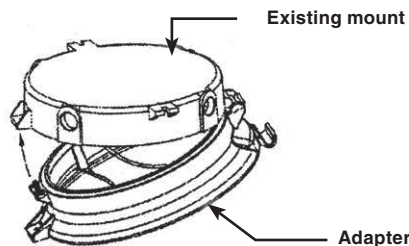
See CertiLite® V or VM series product pages or as listed with other desired product series.

VM COMPETITIVE ADAPTER	
CATALOG NUMBER	DESCRIPTION
VMCHVM	Tank adapter to Crouse-Hinds® <sup>①</sup> VM Series mounts
VMCHVM-DEEP	Tank adapter to CH (70's era wall mount with deep box)
VMM2LP	Tank adapter to Appleton® <sup>②</sup> MERCMASTER II mounts
VMM3KP	Tank adapter to Appleton® MERCMASTER III mounts
VMHDS	Tank adapter to Hazlux® <sup>③</sup> mounts

<sup>①</sup> Crouse-Hinds is a registered trademark of EATON® corporation.

<sup>②</sup> Appleton and MERCMASTER are registered trademarks of Emerson® Industrial Automation.

<sup>③</sup> Hazlux is a registered trademark of Thomas & Betts.



Note - To use the adaptor ring in assemblies using CertiLite® V housings, substitute RC for the MOUNT code.  
 Example: VM3S150X2GLG  
 Becomes VM3S150RCGLG

# LIGHTING

EAC/EACH/EZBA SERIES



## FIXTURE ADAPTERS

Class I, Div. 1 & 2, Group D  
 Class I, Zones 1 & 2, Groups IIA  
 Class II, Div. 1 & 2, Groups E,F,G  
 Class III

Certified



EAC/EACH



EZBA12

### FEATURES-SPECIFICATIONS



#### Applications

EAC Series adapters are designed to ease upgrading of existing Crouse-Hinds® “EV” series or existing Killark “H” series to Killark HOSTILELITE® EM or EZ series. Units are primarily designed to aid replacement of old ceiling or wall mount units where removal of the existing mounting box and conduit would be difficult or time consuming. Adapter & Killark fixtures rated NEMA 4.

Adapters allow the upgrade of older incandescent fixtures to newer Fluorescent or HID lamp sources, or to Emergency Lighting including ESX strobes or EEQ emergency series.

Note: Adapters are used with Fixture Housing, Globe, Globe Support assemblies, e.g. EBF261 & EMG1; EMS151 & EMG2; or EZH100 & EZG1. Complete fixture with mounting box is not required. Adapters are painted to match Killark beige fixture finish.

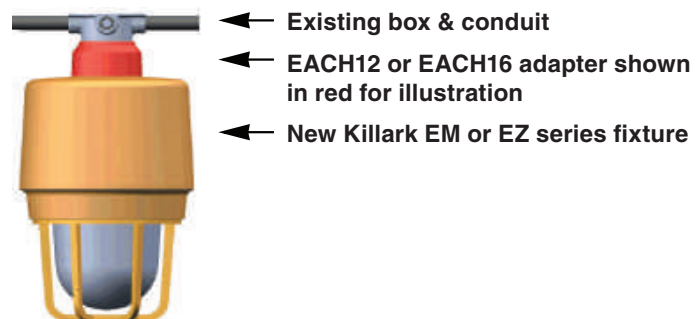
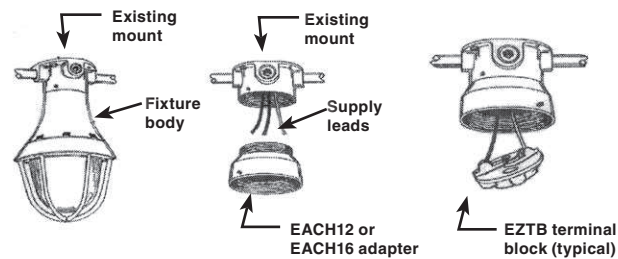
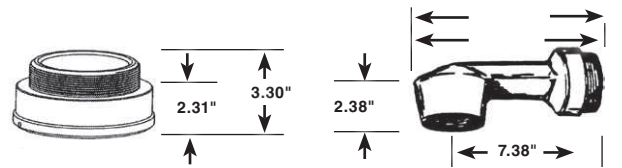
#### Features

- Setscrews permit secure adapter attachment into old mounting box and to new fixture
- Converted fixtures may be easily removed for service using the Killark EZ mounting system. Wire terminals are included in the adapter (EZTB Terminal Block)

#### Temperature codes:

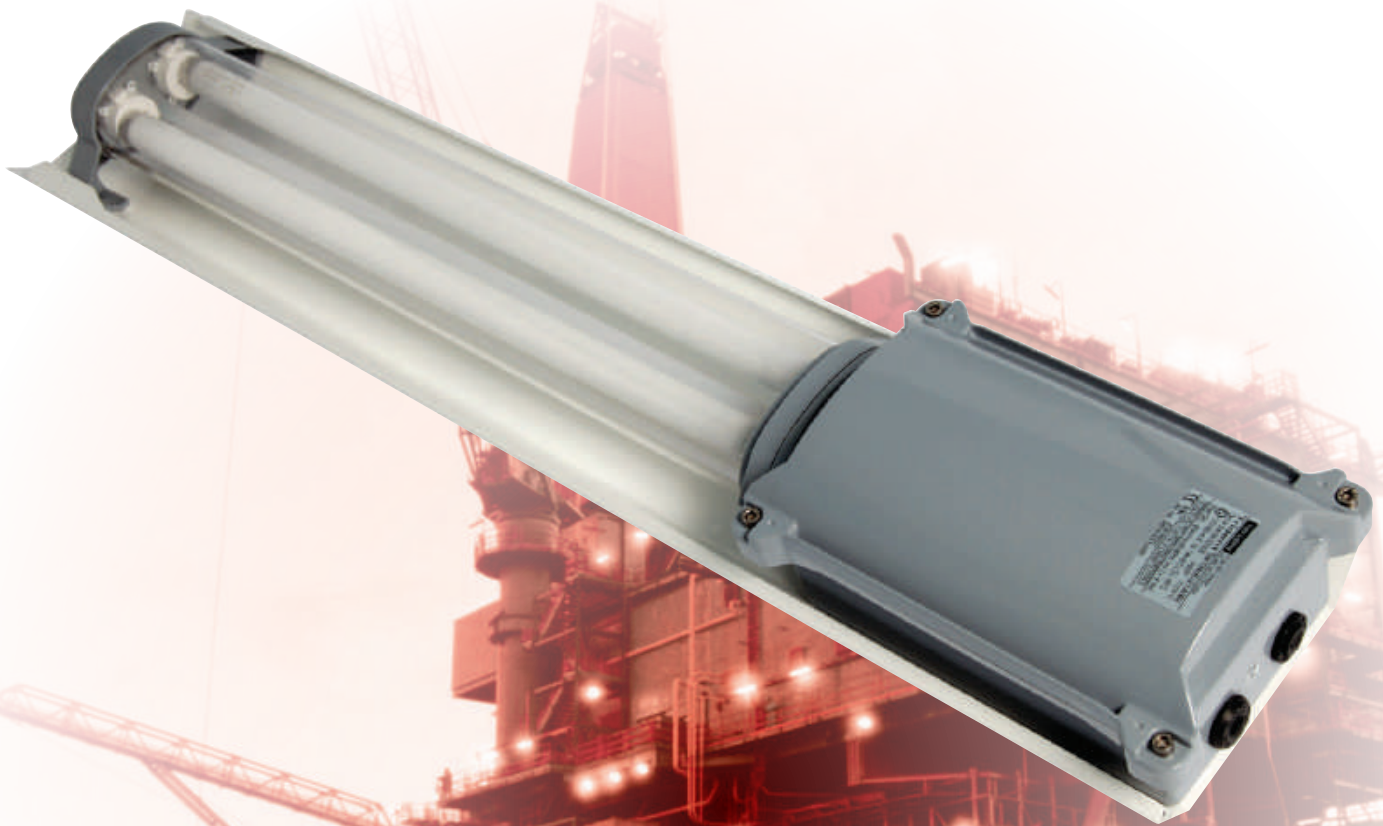
See EM/EQ series pages L150 - L151  
 EZ series pages L160 - L161

EAC / EZBA FIXTURE ADAPTERS		
CATALOG NUMBER	DESCRIPTION	EXAMPLE OF MODEL UTILIZED OR REPLACED
EAC	Killark H series Ceiling or Wall	HXG-2-125 Fixture
EACH12	Crouse old style Ceiling Mount with lamp socket in adapter ring between fixture body and a GUF 12 pitch box	GUF box w/Set Screw
EZBA12	Crouse old style Wall Mount, old style Arm with integral lamp socket (socket in fixture in newer models) attached to GUF 12 pitch mounting box. EZBA12 includes arm	GUF box w/Set Screw
EACH16	Crouse newer style ceiling or wall fixtures w/lamp socket in fixture body; mounted to EV series 16 pitch threaded box; adapter fits in ceiling box or existing arm attached to wall fixture	EVA26/EV22 Box; EVBX240





CATEGORY 2 TYPE Ex 'e' INCREASED SAFETY



CASSETTE RELAMPING

Unique lamp cassette design allows for quick and easy lamp replacement, reducing maintenance costs and potential exposed lamp breakages.

SMALL GASKET AREA

The Trident has the smallest gasket area of any Zone 1 fluorescent luminaire, irrespective of lamp wattage.

This design ensures high levels of ingress protection.





# LIGHTING

## CATEGORY 2 TYPE Ex 'e' INCREASED SAFETY



### UNRIVALLED UV PROTECTION

Reflector acts as a solar shield to reduce the degradation effects of UV rays.



### LAMP-IN-LID TECHNOLOGY

Easily convert from standard non emergency (VL125) into an emergency (VL126) version.

Emergency operation is unaffected by a failure of mains lamp due to the dedicated 11W lamp.



### HIGH FREQUENCY Ex m BALLAST

End of Life (EOL) Protection - ballast certified to IEC 60079-7.

Over-voltage and harmonic distortion protection.



### SPIGOT ENTRY VERSION

The Trident is available as a dedicated spigot entry version with internal cable entry.

(18W and 36W versions)



ZONE 1 TYPE Ex 'e' INCREASED SAFETY

●  
End of Life  
Protection



Spigot entry version

### FEATURES AND BENEFITS

Unique three part construction = easy maintenance • Excellent ingress protection • Cassette relamping • Convert standard to emergency

### CERTIFICATION & APPROVALS

**IECEX** Certificate IECEX SIR 03.0004  
**ATEX** Certificate SIRA03ATEX3206

⊕ 2 x 18W and 2 x 36W Varients  
II 2 GD Ex em IIC T4 -45°C to +55°C\*

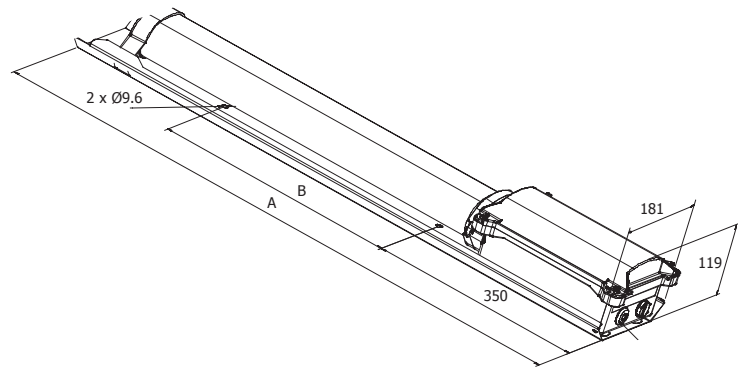
⊕ 2 x 58W Variant  
II 2 GD Ex em IIC T4 -45°C to +50°C\*

Ingress protection to IP66, IP67  
IP68 (on application)

**GOST-R** Approved  
**TIS** Approved  
**GB (China)** Approved

\*For operation below -20°C  
please contact technical sales

### DIMENSIONS



2 x 20mm Dia. holes  
for cable entry, supplied  
with 1 Ex e blanking  
plug & 1 traveling plug.

Fixing centres suitable for M8 bolts

Fitting wattage	Overall length Dim A	Fixing centres Dim B
2x18W	995	400
2x36W	1605	700
2x58W	1905	700

Dimensions in millimetres



## ZONE 1 TYPE Ex 'e' INCREASED SAFETY

## TECHNICAL SPECIFICATION

## LAMP TYPES

T8, Ø26mm, G13 cap bi-pin fluorescent.  
Available in the following configurations: 2 x 18W,  
2 x 36W, 2 x 58W.

## POWER SUPPLY

110V-254V, 50/60Hz AC/DC (2 x 18W)  
220V-254V, 50/60Hz AC/DC (2 x 36W and 2 x 58W)  
110V-130V, 50/60Hz AC/DC (2 x 36W)

## POWER FACTOR

Better than 0.95.

## TERMINALS

4 core up to 4 mm<sup>2</sup> conductors with looping.  
Through wiring is available as an option.  
Terminals for live constant, live switched, neutral & earth are provided.  
External earth terminal is an option.

## CABLE ENTRIES

Two x 20mm clearance holes supplied with 1 x transit plug and 1 x Ex blanking plug.  
Cable entry devices (ie. glands) must maintain the IP rating for the luminaire.

## ORDERING REFERENCE

Std. Cat Ref.	Wattage	Lamp Type
TRIE/218/BI	2x18W	Bi-Pin
TRIE/236/BI	2x36W	Bi-Pin
TRIE/258/BI	2x58W	Bi-Pin

## OPTIONS - SUFFIX TO CATALOGUE REF.

<b>/120</b>	Specific voltage (110/130V) - 36W only
<b>/25</b>	25mm Entries
<b>/T</b>	Through wiring
<b>/SC</b>	Screwed connection terminal block (6mm <sup>2</sup> conductors)
<b>/M20</b>	M20 Threaded entry pad c/w earth lead to T/Block
<b>/M25</b>	M25 Threaded entry pad c/w earth lead to T/Block
<b>/SE</b>	Spigot entry version (18W & 36W)
<b>/ZR</b>	Powder coated zintec reflector
<b>/IEC</b>	Supplied with IECEx certification label

## TEMPERATURE CLASSIFICATION

Gas environments: T4.  
Dust environments: T100°C.

## AMBIENT TEMPERATURE RANGE

-45°C to +55°C (18W & 36W versions)  
-45°C to +50°C (58W version)

## MATERIALS

<b>Enclosure</b>	Polycarbonate moulding.
<b>Lamp Envelope</b>	Polycarbonate.
<b>Reflector</b>	Epoxy powder coated stainless steel.
<b>Gasket</b>	Silicone.
<b>External Fasteners</b>	Stainless steel.

## WEIGHT

Variant	2x18W Lamps	2x36W Lamps	2x58W Lamps
Standard	3.8Kg	5.4Kg	6.2Kg
Through-Wired	4.4Kg	6.0Kg	6.8Kg
Pole-Mount	4.1Kg	5.7Kg	6.5Kg

## SUSPENSION

Standard mounting is direct to the external reflector.  
Optional ceiling, wall, pole mounting brackets, and eye bolts are available on request.  
Direct spigot mounting option for up to 42mm diameter is available for the 18W and 36W versions.

## ACCESSORIES

<b>Pole mount bracket (38-42mm)</b> SPOL4-100004	<b>Wall mounting outreach bracket (for use with standard 18W version)</b> NPRO4-0008
<b>Pole mount bracket (48-52mm)</b> SPOL4-100005	<b>Wall mounting outreach bracket (for use with standard 36W version)</b> NPRO4-0012
<b>Pole mount bracket (58-62mm)</b> SPOL4-100006	<b>Ceiling mount bracket assembly</b> SEXCE-00001
<b>Ceiling mount bracket assembly</b> SEXCE-00001	<b>Conversion Kit: Converts VL125 to a VL126 EM Luminaire</b> STRIE-00001
<b>M8 eye bolt</b> SEXCE-00008	
<b>Wall bracket</b> SEXCE-00009	
<b>Wall mounting outreach bracket (for use with /SE version)</b> NPRO4-0007	



ZONE 1 TYPE Ex 'e' INCREASED SAFETY



●  
End of Life  
Protection

3 Hour  
Operation



Spigot entry version

### FEATURES AND BENEFITS

Dedicated emergency lamp with battery backup • Proven ingress protection • Over voltage and harmonic distortion protection

### CERTIFICATION & APPROVALS

IECEX Certificate IECEX SIR 03.0004  
ATEX Certificate SIRA03ATEX3206

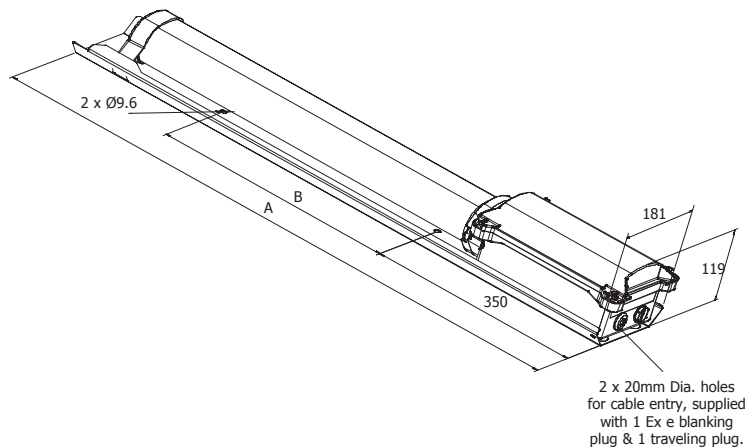
2 x 18W and 2 x 36W Variants  
Ex II 2 GD Ex em IIC T4 -15°C to +55°C

2 x 58W Variant  
Ex II 2 GD Ex em IIC T4 -15°C to +50°C

Ingress protection to IP66, IP67  
IP68 (on application)

GOST-R Approved  
TIS Approved  
GB (China) Approved

### DIMENSIONS



Fixing centres suitable for M8 bolts

Fitting wattage	Overall length Dim A	Fixing centres Dim B
2x18W	995	400
2x36W	1605	700
2x58W	1905	700

Dimensions in millimetres



## ZONE 1 TYPE Ex 'e' INCREASED SAFETY

### TECHNICAL SPECIFICATION

#### LAMP TYPES

T8, Ø26mm, G13 cap bi-pin fluorescent.  
Available in the following configurations: 2 x 18W,  
2 x 36W, 2 x 58W

#### POWER SUPPLY

220V-254V, 50/60Hz AC/DC (2 x 18W, 2 x 36W and 2 x 58W)  
110V-130V, 50/60Hz AC/DC (2 x 18W and 2 x 36W)

#### POWER FACTOR

Better than 0.95.

#### EMERGENCY OPERATION

11W lamp emergency light output is 11%.  
Duration is typically 3 hours.

#### BATTERY

5 cell - 4Ah, 6V internal Ni-Cad.

#### TERMINALS

4 core up to 4 mm<sup>2</sup> conductors with looping. Through wiring is available as an option.  
Terminals for live constant, live switched, neutral & earth are provided. External earth terminal is an option.

#### CABLE ENTRIES

Two x 20mm clearance holes supplied with 1 x transit plug and 1 x Ex blanking plug.  
Cable entry devices (ie. glands) must maintain the IP rating for the luminaire.

### ORDERING REFERENCE

Std. Cat Ref.	Wattage	Lamp Type
TRIE/218/BI/EM	2x18W	Bi-Pin
TRIE/236/BI/EM	2x36W	Bi-Pin
TRIE/258/BI/EM	2x58W	Bi-Pin

An 11W compact fluorescent emergency lamp is factory fitted

### OPTIONS - SUFFIX TO CATALOGUE REF.

/120	Specific voltage (110/130V) - 18W/36W only
/25	25mm Entries
/T	Through wiring
/SC	Screwed connection terminal block (6mm <sup>2</sup> conductors)
/M20	M20 Threaded entry pad c/w earth lead to T/Block
/M25	M25 Threaded entry pad c/w earth lead to T/Block
/SE	Spigot entry version (18W & 36W)
/BCM	Battery control management system
/ZR	Powder coated zintec reflector
/IEC	Supplied with IECEx certification label

#### TEMPERATURE CLASSIFICATION

Gas environments: T4.  
Dust environments: T100°C.

#### AMBIENT TEMPERATURE RANGE

-15°C to +55°C (18W & 36W versions)  
-15°C to +50°C (58W version)

#### MATERIALS

<b>Enclosure</b>	Polycarbonate moulding.
<b>Lamp Envelope</b>	Polycarbonate.
<b>Reflector</b>	Epoxy powder coated stainless steel.
<b>Gasket</b>	Silicone
<b>External Fasteners</b>	Stainless steel.

#### WEIGHT

Variant	2x18W Lamps	2x36W Lamps	2x58W Lamps
Standard	5.4Kg	7.0Kg	7.8Kg
Through-Wired	6.0Kg	7.6Kg	8.4Kg
Pole-Mount	5.7Kg	7.3Kg	8.1Kg

#### SUSPENSION

Standard mounting is direct to the external reflector.  
Optional ceiling, wall, pole mounting brackets, and eye bolts are available on request.  
Direct spigot mounting option for up to 42mm diameter is available for the 18W and 36W versions.

### ACCESSORIES

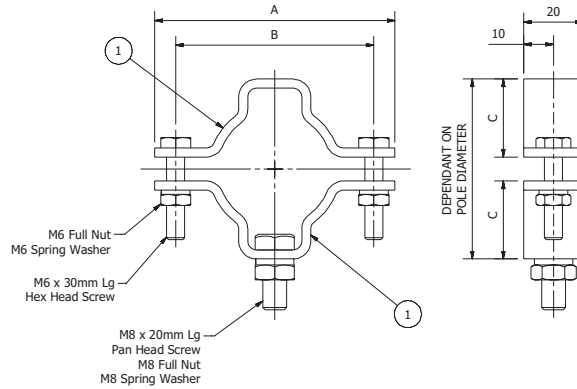
Pole mount bracket (38-42mm) SPOL4-100004	Wall mounting outreach bracket (for use with /SE version) NPRO4-0007
Pole mount bracket (48-52mm) SPOL4-100005	Wall mounting outreach bracket (for use with standard 18W version) NPRO4-0008
Pole mount bracket (58-62mm) SPOL4-100006	Wall mounting outreach bracket (for use with standard 36W version) NPRO4-0012
Ceiling mount bracket assembly SEXCE-00001	
M8 eye bolt SEXCE-00008	
Wall bracket SEXCE-00009	



## MOUNTING OPTIONS

### POLE MOUNT BRACKET

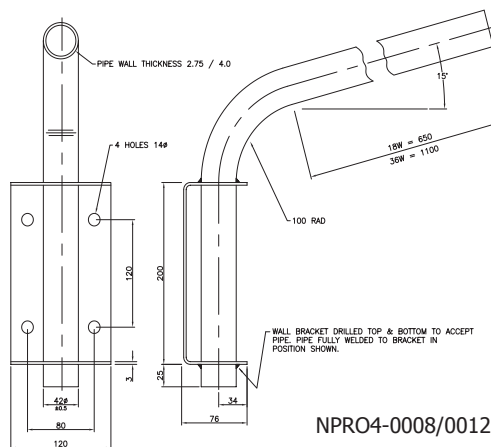
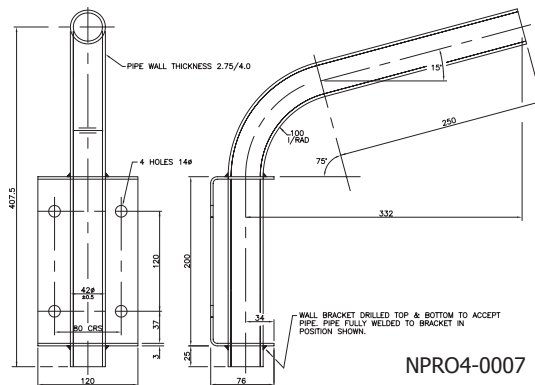
SPOL4-100004 (38-42mm dia)  
 SPOL4-100005 (48-52mm dia)  
 SPOL4-100006 (58-62mm dia)



PART DETAILS					
Part I.D.	Part Code	Part Description	A	B	C
1	SPOL4-100004	POLE MTG 38-42 DIA ASSY	80mm	66mm	26mm
1	SPOL4-100005	POLE MTG 48-52 DIA ASSY	90mm	76mm	32mm
1	SPOL4-100006	POLE MTG 58-62 DIA ASSY	94mm	80mm	38mm

### WALL MOUNTING OUTREACH BRACKET (42mm diameter)

NPRO4-0007 (for use with /SE version)  
 NPRO4-0008 (for std. 18W version) in conjunction with SPOL4-100004  
 NPRO4-0012 (for std. 36W version) in conjunction with SPOL4-100004

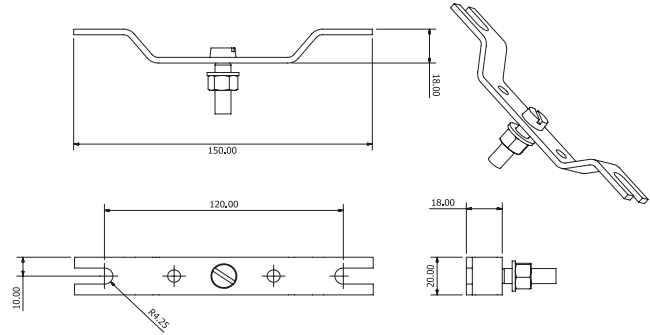




## MOUNTING OPTIONS

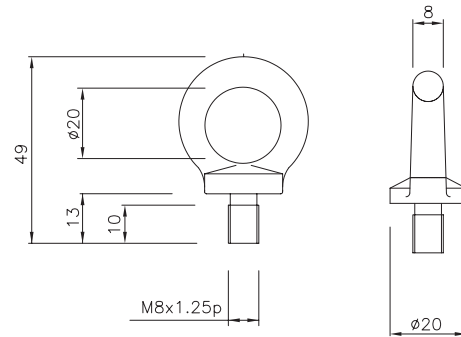
### CEILING MOUNT BRACKET

SEXCE-00001



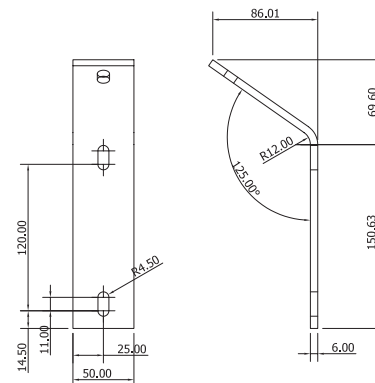
### M8 EYE BOLT

SEXCE-00008



### WALL MOUNT BRACKET

SEXCE-00009





ZONE 1 TYPE EX 'E' INCREASED SAFETY

3 Hour Operation



11W Emergency version



Hanging exit sign



Adhesive exit sign

**FEATURES AND BENEFITS**

Lightweight yet robust construction • Mount in any orientation • Ideal for over-door lighting • Supplied complete with lamps

**CERTIFICATION & APPROVALS**

IECEX Certificate IECEX SIR 05.0004  
ATEX Certificate SIRA03ATEX3556 T100°C

VL114 Standard Luminaire

Ex II 2 GD Ex em II

Ambient Temperature Range  
2x18W T4 -45°C to +30°C\*  
T3 -45°C to +40°C\*  
T3 -45°C to +40°C\*

VL114 Emergency 1 x 11W Luminaire

Ex II 2 GD Ex em II

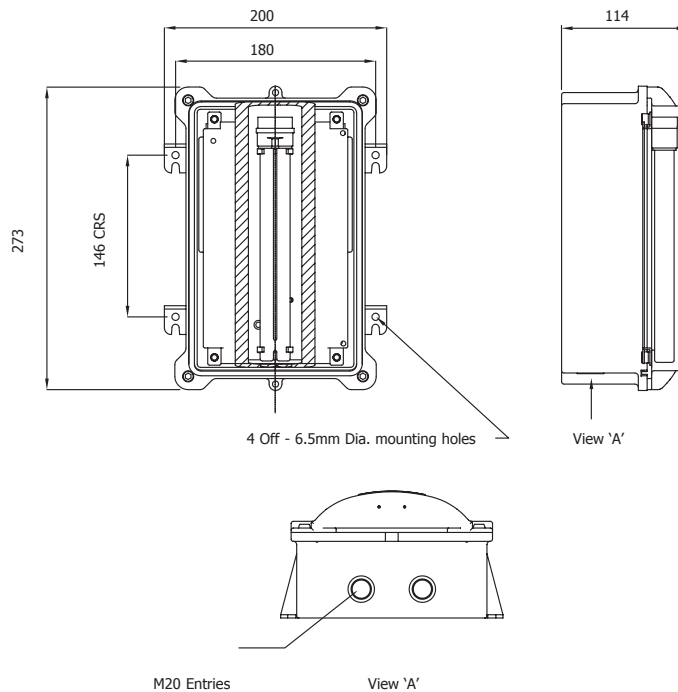
Ambient Temperature Range  
Non-Maintained T4 -15°C to +60°C  
T5 -15°C to +40°C  
T6 -15°C to +25°C  
Maintained T3 -15°C to +40°C

Ingress protection to IP66, IP67  
IP68 (on application)

GOST-R Approved  
GB (China) Approved

\*For operations below -20°C please contact technical sales

**DIMENSIONS**



Dimensions in millimeters





## ZONE 1 TYPE EX 'E' INCREASED SAFETY

## TECHNICAL SPECIFICATION

## LAMP TYPES

11W and 18W compact fluorescent lamps are factory fitted.

## POWER SUPPLY

VL114S	220V-254V, 50/60Hz only (1x11W)
VL114S	110V-254V, 50/60Hz (2x18W)
VL114E	220V-254V, 50/60Hz only (1x11W)

## POWER FACTOR

Better than 0.95.

## EMERGENCY OPERATION

11W non-maintained emergency light output is 11%. Duration is typically 3 hours.

## BATTERY

5 cell - 4Ah, 6V internal Ni-Cad.

## TERMINALS

3 core up to 4 mm<sup>2</sup> conductors with looping.  
Terminals for live constant, live switched, neutral & earth are provided.

## ORDERING REFERENCE

Std. Cat Ref.	Wattage	Lamp Type
PATE/111/CF	1x11W	Compact Fluorescent
PATE/218/CF	2x18W	Compact Fluorescent
PATE/111/CF/EM*	1x11W	Compact Fluorescent

\*Non maintained as standard

All Pathfinder models are supplied complete with lamps.

## OPTIONS - SUFFIX TO CATALOGUE REF.

<b>/120</b>	Specific voltage 110/130V (for VL114E non maintained only)
<b>/25</b>	25mm Entries
<b>/MEM</b>	Maintained emergency (220-254V only)
<b>/M20</b>	M20 Threaded entry pad c/w earth lead to T/Block
<b>/M25</b>	M25 Threaded entry pad c/w earth lead to T/Block
<b>/IEC</b>	Supplied with IECEx certification label

## CABLE ENTRIES

Two x 20mm clearance holes supplied with 1 x transit plug and 1 x Ex blanking plug.

Cable entry devices (ie. glands) must maintain the IP rating for the luminaire.

## TEMPERATURE

Gas environments are dependant on gas and ambient temperature

Non-Maintained : T4, T5 & T6. Maintained : T3

Dust environments : 100°C

## AMBIENT TEMPERATURE

VL114E -15°C to +60°C

VL114S -45°C to +60°C

## MATERIALS

**Enclosure** Polycarbonate moulding.

**Gasket** Silicone.

**External Fasteners** Stainless steel.

## WEIGHT

VL114E 2.5kg VL114S 1.8kg

## SUSPENSION

Standard mounting is direct to the main housing.

## ACCESSORIES

Lamp assembly (11watt)

SPATE-00004

Lamp assembly (18watt)

SPATE-00001

Exit sign, rigid plastic, chain

hanging (no direction)

SPATE-00005

Exit sign, rigid plastic, chain

hanging (up arrow)

SPATE-00006

Exit sign, rigid plastic, chain

hanging (down arrow)

SPATE-00007

Exit sign, rigid plastic, chain

hanging (right arrow)

SPATE-00008

Exit sign, rigid plastic, chain

hanging (left arrow)

SPATE-00009

Exit sign, rigid plastic, chain

hanging (double sided arrow left & arrow right)

SPATE-00011

Exit sign, adhesive (up, down, left

and right)

SPATE-00012



ZONE 1 TYPE Ex 'd' FLAMEPROOF



VL 38 with external reflector

**FEATURES AND BENEFITS**

Extreme ambient temperature range • Maintenance free QL option • Extensive range of lamp types

**CERTIFICATION & APPROVALS**

ATEX Certificate SIRA01ATEX1049

Ex II 2 GD Ex de II C T4\*

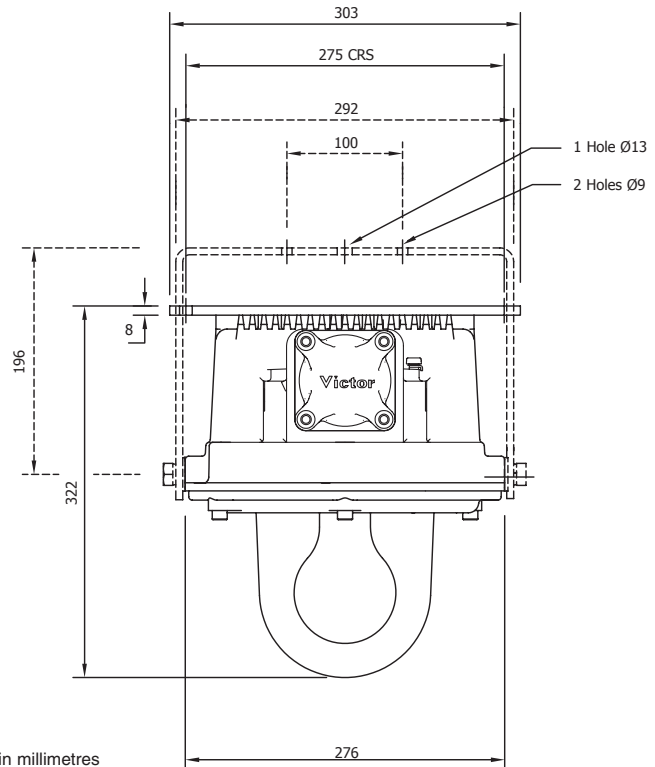
Ambient temperature range:  
-20°C to +68°C\* (standard)  
-50°C to +68°C\* (low temperature)

Ingress protection to IP66 & IP67

GOST-R Approved

\* Refer to matrix for lamp  
'T' rating on pendant mounted versions.

**DIMENSIONS**



Dimensions in millimetres



## ZONE 1 TYPE Ex 'd' FLAMEPROOF

## ORDERING REFERENCE

Std. Cat Ref.	Wattage	Lamp Type	Lampholder	T Class	T °C(Dust)	Ambient °C
TI8D/050/HS	50W	HPS	E27	T4	110	(-50°C**) -20°C to +60°C
TI8D/070/MS	70W	HPS & Metal Halide	E27	T4	110	(-50°C**) -20°C to +60°C
TI8D/100/GL	100W	GLS	E27	T4	108	(-50°C**) -20°C to +68°C
TI8D/200/GL	200W	GLS	E27	T4	115	(-50°C**) -20°C to +55°C
TI8D/113/CF	1x10/13W	Compact Fluorescent	G24q	T4	85	-20°C to +60°C
TI8D/118/CF	1x18W	Compact Fluorescent	G24q	T4	85	-20°C to +60°C
TI8D/126/CF	1x26W	Compact Fluorescent	G24q	T4	85	-20°C to +60°C
TI8D/213/CF	2x10/13W	Compact Fluorescent	G24q	T4	85	-20°C to +60°C
TI8D/218/CF	2x18W	Compact Fluorescent	G24q	T4	85	-20°C to +60°C
TI8D/226/CF	2x26W	Compact Fluorescent	G24q	T4	85	-20°C to +60°C
TI8D/055/QL	55W	QL	QL	T4	93	-50°C to +63°C
TI8D/085/QL	85W	QL	QL	T4	97	-50°C to +57°C

\*\* Requires /LT suffix.

## TECHNICAL SPECIFICATION

## LAMP TYPES

SON - 50W & 70W  
 MBF - 50W, 80W & 125W  
 GLS - 200W Max (E27)  
 Compact Fluorescent - Single & Twin 10/13W, 18W & 26W  
 Philips QL - 55W & 85W

## POWER SUPPLY

SON & MBF 220V, 230V, 240V & 254V, 50Hz or 60Hz  
 GLS 250V Max  
 Compact Fluorescent 220V - 250V 50/60Hz  
 and 200V - 250V DC  
 QL Lamps 200V - 240V 50/60Hz AC/DC (standard)  
 110V - 130V 50/60Hz AC/DC (optional)

## POWER FACTOR

Better than 0.85 for High Intensity Discharge Luminaire  
 Better than 0.95 for QL & Compact Fluorescent Luminaire

## TERMINALS

3 core up to 6 mm<sup>2</sup> conductors with looping. Terminals for live, neutral & earth are provided. Internally earthed, external earth terminal as standard.

## CABLE ENTRIES

Two M20 x 1.5 entries as Standard with an option for two M25 x 1.5 entries. Other cable entries available on request. Supplied with 1 x transit plug and 1 x Ex blanking plug. Cable entry devices (ie. glands) must maintain the IP rating for the luminaire.

## MATERIALS

**Main body** Marine grade aluminium alloy with full epoxy powder coating.  
**Lampglass** Borosilicate glass.

## WEIGHT

HID & QL Luminaire 10.0 kg  
 GLS & Compact Fluorescent 7.5 kg

## SUSPENSION

Mounting supplied with luminaire is for pendant operation suitable for two Ø 10mm fasteners on 275mm centres. Optional stirrup mounting available for wall/directional applications.

## OPTIONS – SUFFIX TO CATALOGUE REF.

/60 60Hz  
 /120 120V - QL lamps only  
 /M25 M25 Entries  
 /S Stirrup version for universal mounting\*\*\*  
 /SLC Sealed lamp chamber - Maintenance free (QL version)  
 /LT Low temperature version (-50°C)

\*\*\* T rating and ambient may vary for universal (stirrup) mounting. Please contact technical sales.

## ACCESSORIES

**Stirrup mount bracket** STI8D-00001  
**Wire Guard** STI8D-00002  
**External Reflector** STI8D-00003  
**Pole clamp** STI8D-00005  
 (For use with 40-60mm dia. pole)



ZONE 1 TYPE Ex 'd' FLAMEPROOF



VL 39 with external reflector



**FEATURES AND BENEFITS**

Wide ambient temperature range • Maintenance free QL option • Extensive range of lamp types

**CERTIFICATION & APPROVALS**

ATEX Certificate SIRA01ATEX1274

Ex II 2 GD Ex de II C T4\*

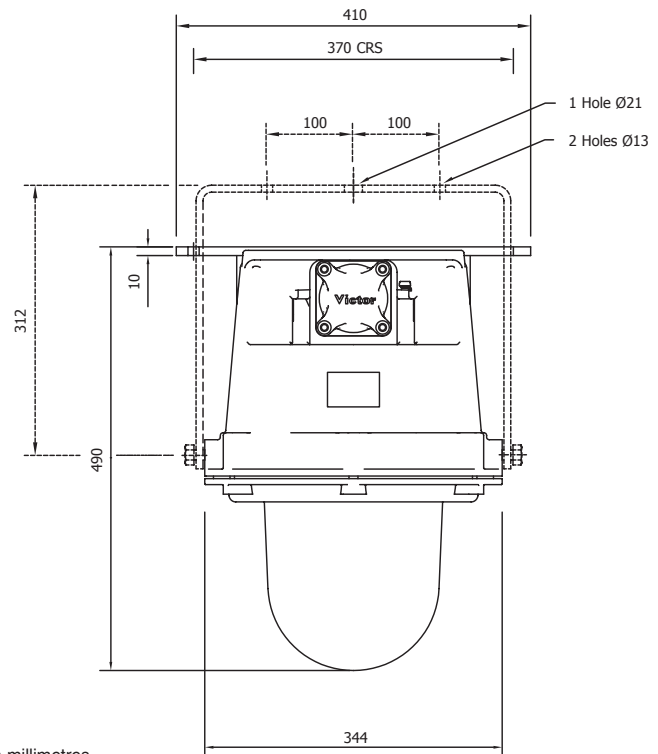
Ambient temperature range:  
-20°C to +55°C\* (standard)

Ingress protection to IP66 & IP67

GOST-R Approved  
TIS Approved

\* Refer to matrix for lamp  
'T' rating on pendant mounted versions.

**DIMENSIONS**



Dimensions in millimetres



ZONE 1 TYPE Ex 'd' FLAMEPROOF

ORDERING REFERENCE						
Std. Cat Ref.	Wattage	Lamp Type	Lampholder	T Class	T °C(Dust)	Ambient °C
TI9D/150/MS	150W	HPS & Metal Halide	E40	T3	145	-20°C to +50°C**
				T4	125	-20°C to +35°C**
TI9D/250/MS	250W	HPS & Metal Halide	E40	T3	145	-20°C to +50°C**
				T4	125	-20°C to +35°C**
TI9D/400/MS	400W	HPS & Metal Halide	E40	T3	170	-20°C to +40°C**
				T4	130	-20°C to +40°C**
TI9D/500/GL	500W	GLS	E40	T3	170	-20°C to +35°C**
				T4	130	-20°C to +30°C**
TI9D/165/QL	165W	QL	QL	T4	105	-20°C to +55°C**

\*\* For low temperature versions (LT) contact sales.

TECHNICAL SPECIFICATION

LAMP TYPES

SON - 150W, 250W & 400W  
 MBI - 150W, 250W & 400W  
 MBF - 150W, 250W & 400W  
 GLS - 500W Max  
 Philips QL - 165W (not suitable for reflector lamps).

POWER SUPPLY

SON, MBI & MBF 220V, 230V, 240V & 250V, 50Hz or 60Hz  
 GLS 250V Max  
 QL Lamps 200V - 240V 50/60Hz AC/DC (standard)  
 110V - 130V 50/60Hz AC/DC (optional)

POWER FACTOR

Better than 0.95 for QL, GLS  
 Better than 0.85 for High Intensity Discharge Luminaire.

TERMINALS

3 core up to 6 mm<sup>2</sup> conductors with looping.  
 Terminals for live, neutral & earth are provided.  
 Internally earthed, external earth terminal as standard.

CABLE ENTRIES

Two M20 x 1.5 entries as Standard with an option for two M25 x 1.5 entries. Other cable entries available on request.  
 Supplied with 1 x transit plug and 1 x Ex blanking plug.  
 Cable entry devices (ie. glands) must maintain the IP rating for the luminaire.

MATERIALS

**Main body** Marine grade aluminium alloy with full epoxy powder coating.  
**Lampglass** Borosilicate glass.

WEIGHT

HID 23.0 kg  
 QL Luminaire 20.0 kg  
 GLS 19.0 kg

SUSPENSION

Mounting supplied with luminaire is for pendant operation suitable for two M12 fasteners on 370mm centres.  
 Optional stirrup mounting available for wall/directional applications.

OPTIONS - SUFFIX TO CATALOGUE REF.

- /60 60Hz
- /M25 M25 Entries
- /S Stirrup version for universal mounting\*\*\*
- /SLC Sealed lamp chamber - Maintenance free (QL version)
- /120 120V - QL lamps only
- /LT Low temperature -50°C to 50°C

\*\*\* T rating and ambient may vary for universal (stirrup) mounting. Please contact technical sales.

ACCESSORIES

- Stirrup mount bracket** STI9D-00001
- Wire guard** STI9D-00002
- External reflector** STI9D-00003
- Pole clamp** STI9D-00005  
(For use with 70-80mm dia. pole)



ZONE 1 TYPE Ex 'd' FLAMEPROOF



/SE Spigot mount version

### FEATURES AND BENEFITS

Extreme ambient temperature range • Simple mounting arrangement • Unique design eliminates exposed flame path reducing maintenance

### CERTIFICATION & APPROVALS

IECEX Certificate IECEX SIR 04.0033  
ATEX Certificate SIRA04ATEX1220

Ex II 2 GD Ex de II C T4\*

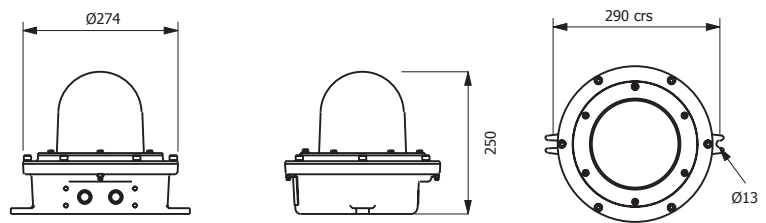
Ambient temperature range:  
-50°C to +70°C\*

Ingress protection to IP66 & IP67

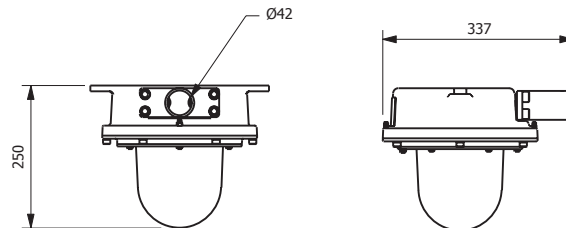
GOST-R Approved

\* Refer to matrix for lamp  
'T' rating on pendant mounted versions.

### DIMENSIONS



Standard Configuration



Pole mounted Configuration

Dimensions in millimetres



## ZONE 1 TYPE Ex 'd' FLAMEPROOF

## ORDERING REFERENCE

Std. Cat Ref.	Wattage	Lamp Type	Lampholder	T Class	T °C(Dust)	Ambient °C
TI7D/050/HS	50W	HPS	E27	T4	120	-50°C to +70°C
TI7D/070/HS	70W	HPS	E27	T4	120	-50°C to +70°C
TI7D/070/MH	70W	Metal Halide	E27	T4	120	-50°C to +70°C
TI7D/150/HS	150W	HPS	E27	T3	122	-50°C to +47°C
			E27	T4	100	-50°C to +25°C
TI7D/200/GL	200W	GLS	E27	T4	130	-50°C to +65°C

## TECHNICAL SPECIFICATION

## LAMP TYPES

SON - 50W & 70W  
 SON/T - 150W (White SON - E27 Cap only)  
 MBI - 70W & 100W  
 MBF - 50W, 80W & 125W  
 GLS - 200W Max (E27)

## POWER SUPPLY

SON, MBI & MBF 220V, 230V, 240V & 250V, 50Hz or 60Hz  
 GLS 250V max

## POWER FACTOR

Better than 0.85 for High Intensity Discharge Luminaire

## TERMINALS

3 core up to 6 mm<sup>2</sup> conductors with looping.  
 Terminals for live, neutral & earth are provided.  
 Internally earthed, external earth terminal as standard.

## CABLE ENTRIES

Two M20 x 1.5 entries as standard. Pole-mount only has 1 x M20 entry.  
 Other cable entries available on request.  
 Supplied with 1 x transit plug and 1 x Ex blanking plug.  
 Cable entry devices (ie. glands) must maintain the IP rating for the luminaire.

## MATERIALS

**Main body** Marine grade aluminium alloy with full epoxy powder coating.  
**Lampglass** Borosilicate glass.

## WEIGHT

HID 9.0kg  
 GLS 7.5kg

## SUSPENSION

Mounting supplied with luminaire is for pendant operation suitable for two Ø10mm fasteners on 290mm centres.  
 Spigot mount is for direct mounting to poles up to Ø42mm via a single cable entry.

## OPTIONS - SUFFIX TO CATALOGUE REF.

/220	220V
/230	230V
/254	254V
/60	60Hz
/SE	Spigot mounted
/IEC	Supplied with IECEx certification label

## ACCESSORIES

There are no accessories for this product.



ZONE 2 TYPE EX 'N' RESTRICTED BREATHING



### FEATURES AND BENEFITS

Compact light weight design • Integral control gear • Hinged lid assembly for easy re-lamping • Range of lamp options

### CERTIFICATION & APPROVALS

ATEX Certificate SIRA 00ATEX4117

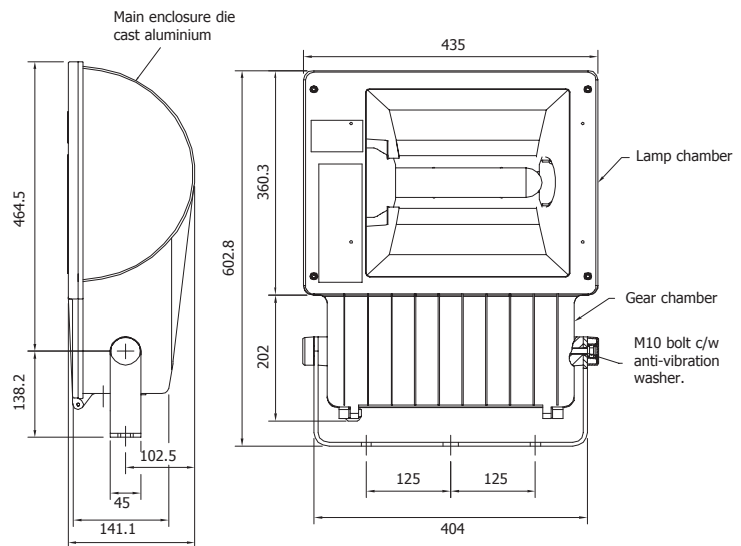
Ex II 3 GD Ex nR II T3 T200°C

Ambient temperature range:  
-50°C to +50°C

Ingress protection to IP66 and IP67

TIS Approved

### DIMENSIONS







## ZONE 2 TYPE EX 'N' RESTRICTED BREATHING

## ORDERING REFERENCE

Std. Cat Ref.	Wattage	Lamp Type	Lampholder	T Class	T °C(Dust)	Ambient °C
V10N/150/MS	150W	HPS/Metal Halide	E40	T3	200	-50°C to +50°C
V10N/250/MS	250W	HPS/Metal Halide	E40	T3	200	-50°C to +50°C
V10N/400/MS	400W	HPS/Metal Halide	E40	T3	200	-50°C to +50°C
V10N/500/TH	500W	Tungsten Halogen	E40	T3	200	-50°C to +50°C

## TECHNICAL SPECIFICATION

## LAMP TYPES

SON - 150W Tubular  
 SON and MBI - 250W Tubular  
 SON and MBI - 400W Tubular  
 Tungsten Halogen - 500W Max

## POWER SUPPLY

220V, 230V, 240V and 250V 50/60Hz  
 250V Max for halogen & GLS

## POWER FACTOR

Greater than 0.85

## TERMINALS

3 core up to 4 mm<sup>2</sup> conductors with looping. Terminals for live constant, neutral & earth are provided. Internally earthed.

## CABLE ENTRIES

2 x M20 cable entries supplied with 1 x transit plug and 1 x Ex blanking plug.  
 Cable entry devices (i.e. glands) must maintain both the restricted breathing properties and the IP rating of the luminaire.

## TEMPERATURE

Gas environments: T3  
 Dust environments: T200°C

## MATERIALS

**Main body** LM6 aluminium alloy.  
**Lampglass** Toughened glass.

## WEIGHT

400W SON Lamps - 16Kg

## SUSPENSION

Galvanised steel stirrup bracket with protractor for elevation angle setting.

## OPTIONS - SUFFIX TO CATALOGUE REF.

**/60** 60Hz  
**/M** Medium beam reflector

## ACCESSORIES

**Pole mount bracket**  
 SV10N-00005

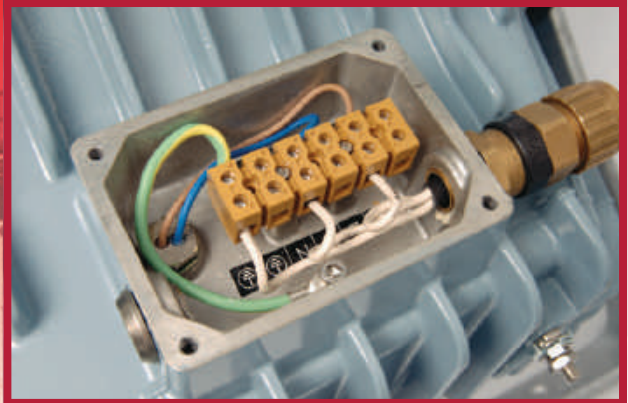
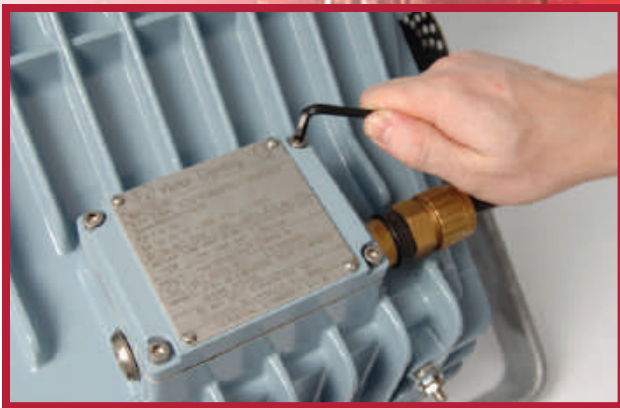
**Spigot mount bracket**  
 SV10N-00004



VL64 EQUAL PLUS

# VICTOR

ZONE 1 TYPE Ex 'd' FLAMEPROOF



**Ex 'e' TERMINAL CHAMBER**

Provides access to terminal block for easy installation, simplifying maintenance routines.

# LIGHTING

VL64 EQUAL PLUS

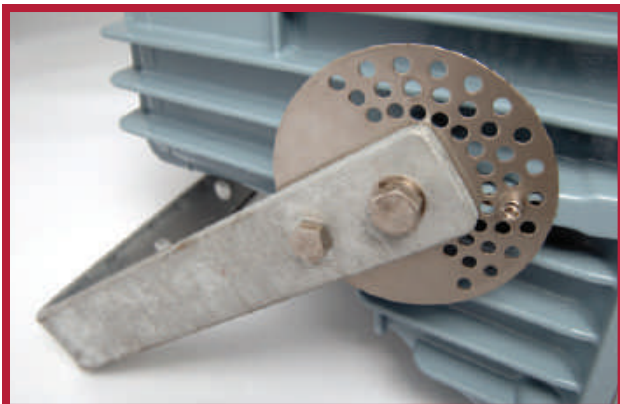


## ZONE 1 TYPE Ex 'd' FLAMEPROOF



Hinged cover provides safe and easy access to lamp chamber.

The VL64 features captive cover bolts to ensure they are not lost during re-lamping and maintenance.



### AIMING QUADRANT

Stainless steel aiming quadrant for accurate and consistent floodlight positioning.

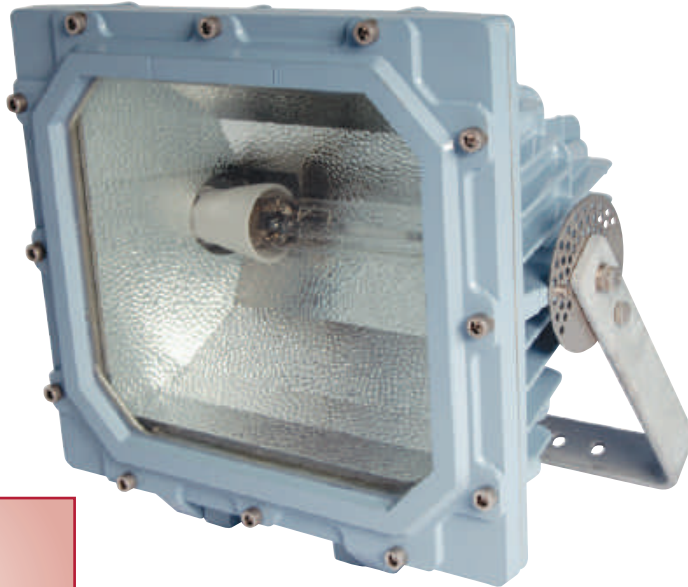


### EXCELLENT PHOTOMETRIC OUTPUT

Large surface area of cover glass ensures a high light output ratio (LOR) and optimum photometric performance.



ZONE 1 TYPE Ex 'd' FLAMEPROOF



VL64 with wire guard



VL64 with anti-glare shield

**FEATURES AND BENEFITS**

Excellent photometric output • Integral control gear • Use with twin-arc tube lamps for >55,000 hours operation

**CERTIFICATION & APPROVALS**

IECEX Certificate IECEX BAS 07.0052  
ATEX Certificate Baseefa058ATEX0228

Ex II 2 GD Ex de IIB T\*

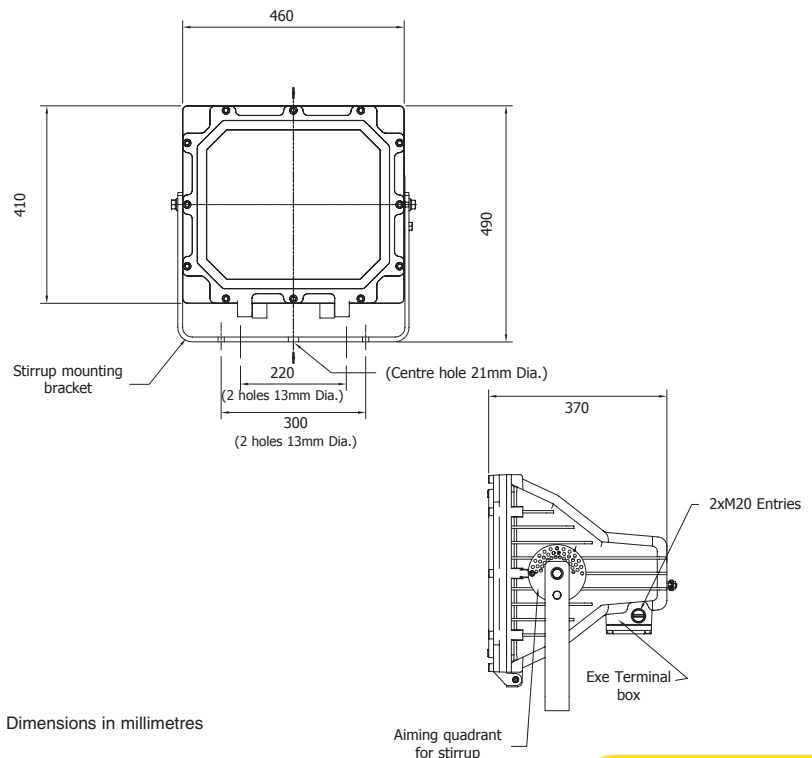
Ambient temperature range:  
-20°C ≤ Tamb ≤ +°C

Ingress protection to IP66 and IP67

GOST-R Approved  
TIS Approved

\* Refer to matrix for lamp,  
'T' rating.

**DIMENSIONS**





## ZONE 1 TYPE Ex 'd' FLAMEPROOF

## ORDERING REFERENCE

Std. Cat Ref.	Wattage	Lamp Type	Lampholder	T Class	T °C(Dust)	Ambient °C
64ED/150/MS	150W	HPS & Metal Halide	E40	T4	128	-20°C to +70°C
64ED/250/MS	250W	HPS & Metal Halide	E40	T3	145	-20°C to +70°C
				T4	175	-20°C to +55°C
64ED/400/MS	400W	HPS & Metal Halide	E40	T3	160	-20°C to +55°C
64ED/500/TH	500W	Tungsten Halogen	E40	T3	175	-20°C to +55°C

## TECHNICAL SPECIFICATION

## LAMP TYPES

SON/T - 150W, 200W, 400W  
 MBI-T - 150W, 200W, 400W  
 MBFU - 250W and 400W  
 Tungsten Halogen 500W

## POWER SUPPLY

220V, 230V, 240V or 254V 50Hz Available via a multi-tapped ballast.  
 All luminaires factory set to 240V 50Hz. 60Hz versions also available.

## POWER FACTOR

Better than 0.85

## TERMINALS

3 core up to 6 mm<sup>2</sup> conductors with looping.  
 Terminals for live, neutral & earth are provided. Internally earthed,  
 external earth terminal as standard.

## CABLE ENTRIES

Two entry terminal box with M20 x 1.5 tapping, other entries available  
 on request.  
 Supplied with 1 x transit plug and 1 x Ex blanking plug.  
 Cable entry devices (ie. glands) must maintain the IP rating for the  
 luminaire.

## MATERIALS

**Main Body** LM6 aluminium with epoxy paint finish as  
 standard.  
**Lampglass** Toughened soda lime glass plate.  
**External fasteners** Stainless steel.

## WEIGHT

Discharge lamp versions - 31.0Kg.  
 Tungsten halogen lamp versions - 26.0Kg

## SUSPENSION

Stirrup bracket pre-drilled with 2 holes 13mm diameter.  
 Complete with locking and aiming quadrant.

## BEAM PATTERNS

Narrow or wide beam patterns available.

## OPTIONS - SUFFIX TO CATALOGUE REF.

/60 60Hz  
 /M25 M25 Entries  
 /N Narrow beam reflector  
 /IEC Supplied complete with IECEx certification label

## ACCESSORIES

Pole mount bracket  
 S6428-0001  
 Anti-glare shield (cannot be used with wire guard)  
 S6428-0002  
 Wire guard (cannot be used with anti-glare shield)  
 S6428-0003  
 Combined Anti-glare shield and wire guard  
 S6428-0004







NOTES

Lined area for taking notes, consisting of multiple horizontal lines.