



SIZE 1 NON-METALLIC 2 POLE ROCKER SWITCH



ATEX/IECEx Certified

CE 0539 Ex II 2 G Ex de IIC T4 Gb
 CE 0539 Ex II 2 D Ex tb IIC T4 Db IP66
DEMKO 15 ATEX 1405X
 Ex de IIC Gb
 Ex tb IIC Db IP66
 IECEx UL 15.0054X
 Ambient Range: -45°C ≤ Ta ≤ 60°C

cULus Certified

Class I, Zone 1, AEx de IIC Gb / Ex de IIC Gb X
 Zone 21, AEx tb IIC Db IP66 / Ex tb IIC Db IP66 X
 Class I, Division 2, Groups A, B, C, D
 Class II, Division 1, Groups E, F, G (Canada Only)
 Class II, Division 2, Groups E, F, G
 Class III
 UL50, 50E, 508, UL60079-0, -1, -7, -31
 Type 3, 4, 4X, 12, 13
 Ambient Range: -45°C ≤ Ta ≤ 60°C



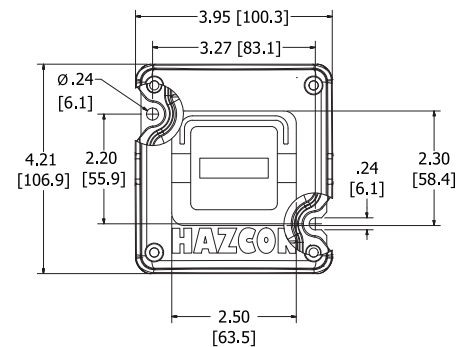
FEATURES-SPECIFICATIONS

HAZCON™

Rocker Switch Single Throw Double Pole
 Luminous fluorescent strip supplied for ease of locating.
 One entry listed is located at bottom.

Contact Block Features:

- **UL Electrical Rating:** 690Vac, 20A, 50-60Hz, 60Vdc, 5A, 110Vdc, 2A, 255Vdc, 1.5A, 1/2 HP @120Vac, 1 HP@208/240/277Vac, A600/P600- Pilot Duty 350Vac- Tungsten Lamp.
- **Wire Allowances:** WIRE RANGE with 1 or 2 WIRES: #22 to #12 AWG (SOL & STR) and #10 AWG (STR).
- **IEC Electrical Ratings:** AC690V 16A AC-12, 50-60 Hz, AC230V 16A AC-15, 50-60Hz, DC60V 5A DC-12, DC125 1A DC-12.
- **Wire Allowances:** WIRE RANGE with 1 or 2 WIRES: 0.5 to 2.5mm (SOL & STR) and 4.0mm² (STR)
- Silver Alloy contacts with Gold Flashing.



Enclosure depth 4.5" (114mm)

HKH ROCKER SWITCH MAINTAINED IN 2 POSITIONS				
CATALOG NUMBER DIN RAIL MOUNT	ENTRY SIZE	CONTACT ARRANGEMENT		CONTACT BLOCKS
		IEC	NEMA	
HKH1AND2RS4K8	3/4" NPT SS HUB			2 N.O.
HKH1ANDARS4	M20 CLEARANCE HOLE			

HKH ROCKER SWITCH MAINTAINED IN 2 POSITIONS				
CATALOG NUMBER DIN RAIL MOUNT	ENTRY SIZE	CONTACT ARRANGEMENT		CONTACT BLOCKS
		IEC	NEMA	
HKH1AND2RS1K8	3/4" NPT SS HUB			1 N.C. / 1 N.O.
HKH1ANDARS1	M20 CLEARANCE HOLE			