

LIGHTING

VM2&4LB, VM2&4LC SERIES



HIGH WATTAGE – INTRODUCTION

Expanded wattage range and shallower depth VM2LB models



VM2LB with Globe/Guard



VM4LB with Globe/Guard



VM4LC with Flat Lens

Class I, Div. 2, Groups A,B,C,D
 Class I, Zone 2, Groups IIC, IIB, IIA
 Class II, Div. 1 & 2, Groups E,F,G
 Class III
 Suitable for wet locations
 NEMA 3, 4X
 IP66
 Marine Rated (US only)

Certified - File LR11713

IECEx Rated Models (VM4L with IEx suffix)
 Ex nA IIC T4, Gc / Ex tb IIIC T83°C Db
 Temp -40°C ≤Ta≤+65°C, IP66
 IECEx Certificate QPS 15.0006
 ATEX Pending

Contact Factory for other certification details



FEATURES-SPECIFICATIONS

Applications

CERTALITE® V VM4L LED fixtures are designed for installations where moisture, dirt, dust, corrosion and vibration may be present, or NEMA 3 and 4X areas where wind, water, snow or high ambients can be expected. They can be used in locations made hazardous by the presence of flammable vapors or gases or combustible dusts as defined by the NEC/CEC.

Typical applications include manufacturing plants, food processing, certain chemical and petrochemical processing facilities, sewage treatment plants, off-shore and dockside installations, garages and storage facilities.

Compliances

- UL-8750 for LED lighting
- UL-844 Standard for lighting fixtures for hazardous locations, Class I, Division 2; Class II, Divisions 1 and 2; Class III
- CSA C22.2 no. 137-M1981 electric luminaires for use in hazardous locations
- Enclosed and gasketed
- NEMA 3, 4X
- IP66 & Marine

Materials

- Ballast tank, splice box and cast guards corrosion resistant copper-free aluminum alloy
- Baked powder epoxy/polyester finish, electrostatically applied for complete, uniform corrosion protection
- All external hardware – stainless steel
- Reflectors – Polyester reinforced fiber glass or aluminum

LED Luminaire Features and Standards

- Traditional Industrial Appearance, Suitability, and Photometric Performance
- Wide variety of optics including globes, globes with reflectors, all-glass refractors, spin-top refractors and flat lens
- Swing-Barrel Nut patented tank mounting system
- Optional Mounting arrangements including Pendant, Wall, Ceiling, Stanchion and others
- VM4L LED Housings can be retrofitted to existing VM splice boxes; upgrade from HID sources
- VM2Lx housing is 1.56" shallower for low ceilings
- Crisp White Light for Excellent Color Rendering – Chromaticity 5000 K (CCT range); approx. 70 CRI
- Energy Savings – less than 130 Watts of Power

- Long Life – 50,000 - 55,000 maintenance free hours to 70% initial lumens
- Ambient suitability -40°C to 55°C
- Instant On – Including after power interruption
- World Voltage 120 – 277VAC 50/60Hz
- Solder-LESS LED Board Connections – Vibration Resistant
- Ability for Dual Drivers – Redundant Systems (built-in backup), or for additional energy savings half of fixture can be turned off
- LM80-08* Measurement of lumen maintenance for LED light sources (including TM-21)
- LM79-08* Certified "Absolute" Photometry, including Chromaticity Color for Solid State Lighting
- L70 Values – Industry Nomenclature for Hours of use to 70% of Initial Lumens
- Two LED internal heat sink styles
 - » Bulb VM2LB/VM4LB
 - » Concave VM2LC/VM4LC

* LM-xx + TM-21 are Illumination Engineering Society standards designed to promote uniformity in testing procedures among test labs and manufacturers. For more information go to www.ies.org



LED INTERNAL Heat Sinks

Bulb style (VM4LB)
 Maximum lumens but has more glare at line-of-sight.

Concave style (VM4LC)
 for a compact profile.
 Recessed concave LED array produces less glare.



Consult website for current list of approved luminaires



Non-Glass Polycarbonate 12" Flat Lens





HIGH WATTAGE – CATALOG LOGIC

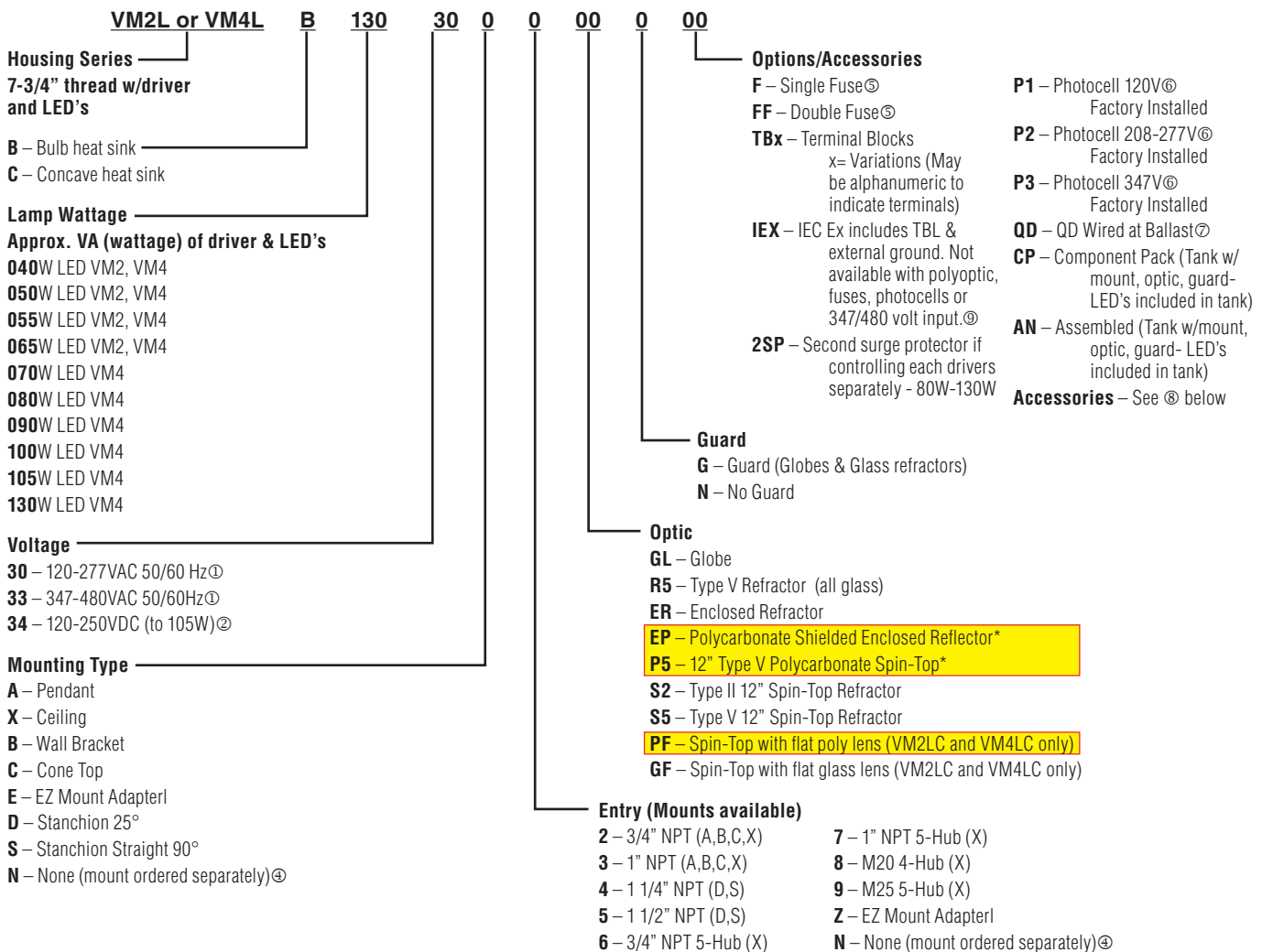
CERTILITE[®]V

The Logical Choice

Killark high efficiency LED Luminaries require NO external heat sink which adds weight and collects dust and other contaminants



CertiLite[®]V LED Catalog Number Logic



[Ⓛ] 40W, 50W, 55W, 65W, 70W single driver; 80W -130W dual drivers
[Ⓛ] 80W-105W only (also 120-277VAC 50/60HZ)
[Ⓛ] Completes as "EZ", conduit mounting boxes ordered separately - See catalog grids.
[Ⓛ] Completes as NN-Mount ordered separately.
[Ⓛ] Fusing not for Marine or Canadian installations.
[Ⓛ] Photo cells for Class I, Div. 2 only.
[Ⓛ] QD = Quick Disconnect. Allows easy tank removal for maintenance. Electrician simply unplugs tank from mount for fixture relocation or repair due to impact damage.

[Ⓛ] Accessories - Shown for ordering convenience (shipped separately)

S	VMPSD40	<i>Fiberglass White Reflector</i>
A	VMPA40	<i>Fiberglass ANGLE White Reflector</i>
D	HRD400	<i>Deep White Reflector</i>
Z	HRD400ALZ	<i>Deep Alzak Reflector</i>

[Ⓛ] IEX option only available with VM4L and requires glass optics

***Non-glass Group G Food Processing Suitability**

LIGHTING

VM2&4LB, VM2&4LC SERIES



HIGH WATTAGE – ORDERING INFORMATION



Globe & Guard or Glass Refractor & Guard



Spin-Top Poly or Glass Flat Lens VM4LC only



Spin-Top Poly or Glass Refractor



Enclosed Reflector



Poly Food Optic

VM4LB SERIES PENDANT WITH OPTIC AND GUARD ①								
WATTS	HUB SIZE ②	VOLTAGE ③	GLOBE & GUARD	TYPE V GLASS REFRACTOR & GUARD	12" SPIN-TOP TYPE V GLASS REFRACTOR & GUARD	12" SPIN-TOP TYPE V POLYCARBONATE REFRACTOR & GUARD	ENCLOSED REFLECTOR	POLYCARBONATE FOOD OPTIC
40Ⓞ	3/4"	120-277VAC	VM4LB04030A2GLG	VM4LB04030A2R5G	VM4LB04030A2S5G	VM4LB04030A2P5G	VM4LB04030A2ERN	VM4LB04030A2EPN
50Ⓞ	3/4"	120-277VAC	VM4LB05030A2GLG	VM4LB05030A2R5G	VM4LB05030A2S5G	VM4LB05030A2P5G	VM4LB05030A2ERN	VM4LB05030A2EPN
55Ⓞ	3/4"	120-277VAC	VM4LB05530A2GLG	VM4LB05530A2R5G	VM4LB05530A2S5G	VM4LB05530A2P5G	VM4LB05530A2ERN	VM4LB05530A2EPN
65Ⓞ	3/4"	120-277VAC	VM4LB06530A2GLG	VM4LB06530A2R5G	VM4LB06530A2S5G	VM4LB06530A2P5G	VM4LB06530A2ERN	VM4LB06530A2EPN
70	3/4"	120-277VAC	VM4LB07030A2GLG	VM4LB07030A2R5G	VM4LB07030A2S5G	VM4LB07030A2P5G	VM4LB07030A2ERN	VM4LB07030A2EPN
80	3/4"	120-277VAC	VM4LB08030A2GLG	VM4LB08030A2R5G	VM4LB08030A2S5G	VM4LB08030A2P5G	VM4LB08030A2ERN	VM4LB08030A2EPN
90	3/4"	120-277VAC	VM4LB09030A2GLG	VM4LB09030A2R5G	VM4LB09030A2S5G	VM4LB09030A2P5G	VM4LB09030A2ERN	VM4LB09030A2EPN
100	3/4"	120-277VAC	VM4LB10030A2GLG	VM4LB10030A2R5G	VM4LB10030A2S5G	VM4LB10030A2P5G	VM4LB10030A2ERN	VM4LB10030A2EPN
105	3/4"	120-277VAC	VM4LB10530A2GLG	VM4LB10530A2R5G	VM4LB10530A2S5G	VM4LB10530A2P5G	VM4LB10530A2ERN	VM4LB10530A2EPN
130	3/4"	120-277VAC	VM4LB13030A2GLG	VM4LB13030A2R5G	VM4LB13030A2S5G	VM4LB13030A2P5G	VM4LB13030A2ERN	VM4LB13030A2EPN

VM4LC SERIES PENDANT WITH OPTIC AND GUARD ①								
WATTS	HUB SIZE ②	VOLTAGE ③	GLOBE & GUARD	12" SPIN-TOP POLYCARBONATE FLAT LENS* ④	TYPE V GLASS REFRACTOR & GUARD	12" SPIN-TOP TYPE V GLASS REFRACTOR & GUARD	12" SPIN-TOP TYPE V POLYCARBONATE REFRACTOR & GUARD	POLYCARBONATE FOOD OPTIC
40Ⓞ	3/4"	120-277VAC	VM4LC04030A2GLG	VM4LC04030A2PFN	VM4LC04030A2R5G	VM4LC04030A2S5G	VM4LC04030A2P5G	VM4LC04030A2EPN
50Ⓞ	3/4"	120-277VAC	VM4LC05030A2GLG	VM4LC05030A2PFN	VM4LC05030A2R5G	VM4LC05030A2S5G	VM4LC05030A2P5G	VM4LC05030A2EPN
55Ⓞ	3/4"	120-277VAC	VM4LC05530A2GLG	VM4LC05530A2PFN	VM4LC05530A2R5G	VM4LC05530A2S5G	VM4LC05530A2P5G	VM4LC05530A2EPN
65Ⓞ	3/4"	120-277VAC	VM4LC06530A2GLG	VM4LC06530A2PFN	VM4LC06530A2R5G	VM4LC06530A2S5G	VM4LC06530A2P5G	VM4LC06530A2EPN
70	3/4"	120-277VAC	VM4LC07030A2GLG	VM4LC07030A2PFN	VM4LC07030A2R5G	VM4LC07030A2S5G	VM4LC07030A2P5G	VM4LC07030A2EPN
80	3/4"	120-277VAC	VM4LC08030A2GLG	VM4LC08030A2PFN	VM4LC08030A2R5G	VM4LC08030A2S5G	VM4LC08030A2P5G	VM4LC08030A2EPN
90	3/4"	120-277VAC	VM4LC09030A2GLG	VM4LC09030A2PFN	VM4LC09030A2R5G	VM4LC09030A2S5G	VM4LC09030A2P5G	VM4LC09030A2EPN
100	3/4"	120-277VAC	VM4LC10030A2GLG	VM4LC10030A2PFN	VM4LC10030A2R5G	VM4LC10030A2S5G	VM4LC10030A2P5G	VM4LC10030A2EPN
105	3/4"	120-277VAC	VM4LC10530A2GLG	VM4LC10530A2PFN	VM4LC10530A2R5G	VM4LC10530A2S5G	VM4LC10530A2P5G	VM4LC10530A2EPN
130	3/4"	120-277VAC	VM4LC13030A2GLG	VM4LC13030A2PFN	VM4LC13030A2R5G	VM4LC13030A2S5G	VM4LC13030A2P5G	VM4LC13030A2EPN

① Catalog numbers shown are with Guard (except ER/EP/PF); to omit guard change ending G to N; e.g. VM4LB05530X2GLN.

② Catalog numbers shown are with 3/4" conduit openings; change "2" to "3" for 1"; e.g. VM4LB05530X3GLG.

③ 120VAC through 277VAC 50/60Hz. See logic for other voltages.

④ 40W, 50W, 55W and 65W are available in VM2LB/VM2LC shallower housings. Substitute VM2L for VM4L in catalog number.

* For Glass 12" Spin-Top Flat Lens change PFN to GFN at end of catalog number.



VM2&4LB, VM2&4LC SERIES

KILLARK

HIGH WATTAGE – ORDERING INFORMATION



Globe & Guard or Glass Refractor & Guard



Enclosed Reflector



Spin-Top Poly or Glass Flat Lens



Poly Food Optic



Spin-Top Poly or Glass Refractor

VM4LB SERIES CEILING WITH OPTIC AND GUARD ①								
WATTS	HUB SIZE ②	VOLTAGE ③	GLOBE & GUARD	TYPE V GLASS REFRACTOR & GUARD	12" SPIN-TOP TYPE V GLASS REFRACTOR & GUARD	12" SPIN-TOP TYPE V POLYCARBONATE REFRACTOR & GUARD	ENCLOSED REFLECTOR	POLYCARBONATE FOOD OPTIC
40 ④	3/4"	120-277VAC	VM4LB04030X2GLG	VM4LB04030X2R5G	VM4LB04030X2S5G	VM4LB04030X2P5G	VM4LB04030X2ERN	VM4LB04030X2EPN
50 ④	3/4"	120-277VAC	VM4LB05030X2GLG	VM4LB05030X2R5G	VM4LB05030X2S5G	VM4LB05030X2P5G	VM4LB05030X2ERN	VM4LB05030X2EPN
55 ④	3/4"	120-277VAC	VM4LB05530X2GLG	VM4LB05530X2R5G	VM4LB05530X2S5G	VM4LB05530X2P5G	VM4LB05530X2ERN	VM4LB05530X2EPN
65 ④	3/4"	120-277VAC	VM4LB06530X2GLG	VM4LB06530X2R5G	VM4LB06530X2S5G	VM4LB06530X2P5G	VM4LB06530X2ERN	VM4LB06530X2EPN
70	3/4"	120-277VAC	VM4LB07030X2GLG	VM4LB07030X2R5G	VM4LB07030X2S5G	VM4LB07030X2P5G	VM4LB07030X2ERN	VM4LB07030X2EPN
80	3/4"	120-277VAC	VM4LB08030X2GLG	VM4LB08030X2R5G	VM4LB08030X2S5G	VM4LB08030X2P5G	VM4LB08030X2ERN	VM4LB08030X2EPN
90	3/4"	120-277VAC	VM4LB09030X2GLG	VM4LB09030X2R5G	VM4LB09030X2S5G	VM4LB09030X2P5G	VM4LB09030X2ERN	VM4LB09030X2EPN
100	3/4"	120-277VAC	VM4LB10030X2GLG	VM4LB10030X2R5G	VM4LB10030X2S5G	VM4LB10030X2P5G	VM4LB10030X2ERN	VM4LB10030X2EPN
105	3/4"	120-277VAC	VM4LB10530X2GLG	VM4LB10530X2R5G	VM4LB10530X2S5G	VM4LB10530X2P5G	VM4LB10530X2ERN	VM4LB10530X2EPN
130	3/4"	120-277VAC	VM4LB13030X2GLG	VM4LB13030X2R5G	VM4LB13030X2S5G	VM4LB13030X2P5G	VM4LB13030X2ERN	VM4LB13030X2EPN

VM4LC SERIES CEILING WITH OPTIC AND GUARD ①								
WATTS	HUB SIZE ②	VOLTAGE ③	GLOBE & GUARD	12" SPIN-TOP POLYCARBONATE FLAT LENS* ④	TYPE V GLASS REFRACTOR & GUARD	12" SPIN-TOP TYPE V GLASS REFRACTOR & GUARD	12" SPIN-TOP TYPE V POLYCARBONATE REFRACTOR & GUARD	POLYCARBONATE FOOD OPTIC
40 ④	3/4"	120-277VAC	VM4LC04030X2GLG	VM4LC04030X2PFN	VM4LC04030X2R5G	VM4LC04030X2S5G	VM4LC04030X2P5G	VM4LC04030X2EPN
50 ④	3/4"	120-277VAC	VM4LC05030X2GLG	VM4LC05030X2PFN	VM4LC05030X2R5G	VM4LC05030X2S5G	VM4LC05030X2P5G	VM4LC05030X2EPN
55 ④	3/4"	120-277VAC	VM4LC05530X2GLG	VM4LC05530X2PFN	VM4LC05530X2R5G	VM4LC05530X2S5G	VM4LC05530X2P5G	VM4LC05530X2EPN
65 ④	3/4"	120-277VAC	VM4LC06530X2GLG	VM4LC06530X2PFN	VM4LC06530X2R5G	VM4LC06530X2S5G	VM4LC06530X2P5G	VM4LC06530X2EPN
70	3/4"	120-277VAC	VM4LC07030X2GLG	VM4LC07030X2PFN	VM4LC07030X2R5G	VM4LC07030X2S5G	VM4LC07030X2P5G	VM4LC07030X2EPN
80	3/4"	120-277VAC	VM4LC08030X2GLG	VM4LC08030X2PFN	VM4LC08030X2R5G	VM4LC08030X2S5G	VM4LC08030X2P5G	VM4LC08030X2EPN
90	3/4"	120-277VAC	VM4LC09030X2GLG	VM4LC09030X2PFN	VM4LC09030X2R5G	VM4LC09030X2S5G	VM4LC09030X2P5G	VM4LC09030X2EPN
100	3/4"	120-277VAC	VM4LC10030X2GLG	VM4LC10030X2PFN	VM4LC10030X2R5G	VM4LC10030X2S5G	VM4LC10030X2P5G	VM4LC10030X2EPN
105	3/4"	120-277VAC	VM4LC10530X2GLG	VM4LC10530X2PFN	VM4LC10530X2R5G	VM4LC10530X2S5G	VM4LC10530X2P5G	VM4LC10530X2EPN
130	3/4"	120-277VAC	VM4LC13030X2GLG	VM4LC13030X2PFN	VM4LC13030X2R5G	VM4LC13030X2S5G	VM4LC13030X2P5G	VM4LC13030X2EPN

① Catalog numbers shown are with Guard (except ER/EPIP/F); to omit guard change ending G to N; e.g. VM4LB05530X2GLN.

② Catalog numbers shown are with 3/4" conduit openings; change "2" to "3" for 1"; e.g. VM4LB05530X3GLG.

③ 120VAC through 277VAC 50/60Hz. See logic for other voltages.

④ 40W, 50W, 55W and 65W are available in VM2LB/VM2LC shallower housings. Substitute VM2L for VM4L in catalog number.

* For Glass 12" Spin-Top Flat Lens change PFN to GFN at end of catalog number.

LIGHTING

VM2&4LB, VM2&4LC SERIES



HIGH WATTAGE – ORDERING INFORMATION



Globe & Guard or Glass Refractor & Guard



Enclosed Reflector



Spin-Top Poly or Glass Flat Lens VM4LC only



Globe, Guard and Angle Reflector



Spin-Top Poly or Glass Refractor

VM4LB SERIES WALL WITH OPTIC AND GUARD ①								
WATTS	HUB SIZE ②	VOLTAGE ③	GLOBE & GUARD	TYPE V GLASS REFRACTOR & GUARD	12" SPIN-TOP TYPE V GLASS REFRACTOR & GUARD	12" SPIN-TOP TYPE V POLYCARBONATE REFRACTOR & GUARD	ENCLOSED REFLECTOR	GLOBE, GUARD & ANGLE REFLECTOR ④
40Ⓞ	3/4"	120-277VAC	VM4LB04030B2GLG	VM4LB04030B2R5G	VM4LB04030B2S5G	VM4LB04030B2P5G	VM4LB04030B2ERN	VM4LB04030B2GLG-A
50Ⓞ	3/4"	120-277VAC	VM4LB05030B2GLG	VM4LB05030B2R5G	VM4LB05030B2S5G	VM4LB05030B2P5G	VM4LB05030B2ERN	VM4LB05030B2GLG-A
55Ⓞ	3/4"	120-277VAC	VM4LB05530B2GLG	VM4LB05530B2R5G	VM4LB05530B2S5G	VM4LB05530B2P5G	VM4LB05530B2ERN	VM4LB05530B2GLG-A
65Ⓞ	3/4"	120-277VAC	VM4LB06530B2GLG	VM4LB06530B2R5G	VM4LB06530B2S5G	VM4LB06530B2P5G	VM4LB06530B2ERN	VM4LB06530B2GLG-A
70	3/4"	120-277VAC	VM4LB07030B2GLG	VM4LB07030B2R5G	VM4LB07030B2S5G	VM4LB07030B2P5G	VM4LB07030B2ERN	VM4LB07030B2GLG-A
80	3/4"	120-277VAC	VM4LB08030B2GLG	VM4LB08030B2R5G	VM4LB08030B2S5G	VM4LB08030B2P5G	VM4LB08030B2ERN	VM4LB08030B2GLG-A
90	3/4"	120-277VAC	VM4LB09030B2GLG	VM4LB09030B2R5G	VM4LB09030B2S5G	VM4LB09030B2P5G	VM4LB09030B2ERN	VM4LB09030B2GLG-A
100	3/4"	120-277VAC	VM4LB10030B2GLG	VM4LB10030B2R5G	VM4LB10030B2S5G	VM4LB10030B2P5G	VM4LB10030B2ERN	VM4LB10030B2GLG-A
105	3/4"	120-277VAC	VM4LB10530B2GLG	VM4LB10530B2R5G	VM4LB10530B2S5G	VM4LB10530B2P5G	VM4LB10530B2ERN	VM4LB10530B2GLG-A
130	3/4"	120-277VAC	VM4LB13030B2GLG	VM4LB13030B2R5G	VM4LB13030B2S5G	VM4LB13030B2P5G	VM4LB13030B2ERN	VM4LB13030B2GLG-A

VM4LC SERIES WALL WITH OPTIC AND GUARD ①								
WATTS	HUB SIZE ②	VOLTAGE ③	GLOBE & GUARD	12" SPIN-TOP POLYCARBONATE FLAT LENS* ⑤	TYPE V GLASS REFRACTOR & GUARD	12" SPIN-TOP TYPE V GLASS REFRACTOR & GUARD	12" SPIN-TOP TYPE V POLYCARBONATE REFRACTOR & GUARD	GLOBE, GUARD & ANGLE REFLECTOR ④
40Ⓞ	3/4"	120-277VAC	VM4LC04030B2GLG	VM4LC04030B2PFN	VM4LC04030B2R5G	VM4LC04030B2S5G	VM4LC04030B2P5G	VM4LC04030B2GLG-A
50Ⓞ	3/4"	120-277VAC	VM4LC05030B2GLG	VM4LC05030B2PFN	VM4LC05030B2R5G	VM4LC05030B2S5G	VM4LC05030B2P5G	VM4LC05030B2GLG-A
55Ⓞ	3/4"	120-277VAC	VM4LC05530B2GLG	VM4LC05530B2PFN	VM4LC05530B2R5G	VM4LC05530B2S5G	VM4LC05530B2P5G	VM4LC05530B2GLG-A
65Ⓞ	3/4"	120-277VAC	VM4LC06530B2GLG	VM4LC06530B2PFN	VM4LC06530B2R5G	VM4LC06530B2S5G	VM4LC06530B2P5G	VM4LC06530B2GLG-A
70	3/4"	120-277VAC	VM4LC07030B2GLG	VM4LC07030B2PFN	VM4LC07030B2R5G	VM4LC07030B2S5G	VM4LC07030B2P5G	VM4LC07030B2GLG-A
80	3/4"	120-277VAC	VM4LC08030B2GLG	VM4LC08030B2PFN	VM4LC08030B2R5G	VM4LC08030B2S5G	VM4LC08030B2P5G	VM4LC08030B2GLG-A
90	3/4"	120-277VAC	VM4LC09030B2GLG	VM4LC09030B2PFN	VM4LC09030B2R5G	VM4LC09030B2S5G	VM4LC09030B2P5G	VM4LC09030B2GLG-A
100	3/4"	120-277VAC	VM4LC10030B2GLG	VM4LC10030B2PFN	VM4LC10030B2R5G	VM4LC10030B2S5G	VM4LC10030B2P5G	VM4LC10030B2GLG-A
105	3/4"	120-277VAC	VM4LC10530B2GLG	VM4LC10530B2PFN	VM4LC10530B2R5G	VM4LC10530B2S5G	VM4LC10530B2P5G	VM4LC10530B2GLG-A
130	3/4"	120-277VAC	VM4LC13030B2GLG	VM4LC13030B2PFN	VM4LC13030B2R5G	VM4LC13030B2S5G	VM4LC13030B2P5G	VM4LC13030B2GLG-A

① Catalog numbers shown are with Guard (except ER/EP/PF); to omit guard change ending G to N; e.g. VM4LB05530B2GLN.

② Catalog numbers shown are with 3/4" conduit openings; change "2" to "3" for 1"; e.g. VM4LB05530B3GLG.

③ 120VAC through 277VAC 50/60Hz. See logic for other voltages.

④ See logic for reflector ordering options or order angle reflector VMPA40 separately.

⑤ 40W, 50W, 55W and 65W are available in VM2LB/VM2LC shallower housings. Substitute VM2L for VM4L in catalog number.

* For Glass 12" Spin-Top Flat Lens change PFN to GFN at end of catalog number.



VM2&4LB, VM2&4LC SERIES

KILLARK

HIGH WATTAGE – ORDERING INFORMATION



Globe & Guard or Glass Refractor & Guard



Enclosed Reflector



Spin-Top Poly or Glass Flat Lens



Poly Food Optic



Spin-Top Poly or Glass Refractor

VM4LB SERIES CONE WITH OPTIC AND GUARD ①

WATTS	HUB SIZE②	VOLTAGE③	GLOBE & GUARD	TYPE V GLASS REFRACTOR & GUARD	12" SPIN-TOP TYPE V GLASS REFRACTOR & GUARD	12" SPIN-TOP TYPE V POLYCARBONATE REFRACTOR & GUARD	ENCLOSED REFLECTOR	POLYCARBONATE FOOD OPTIC
40④	3/4"	120-277VAC	VM4LB04030C2GLG	VM4LB04030C2R5G	VM4LB04030C2S5G	VM4LB04030C2P5G	VM4LB04030C2ERN	VM4LB04030C2EPN
50④	3/4"	120-277VAC	VM4LB05030C2GLG	VM4LB05030C2R5G	VM4LB05030C2S5G	VM4LB05030C2P5G	VM4LB05030C2ERN	VM4LB05030C2EPN
55④	3/4"	120-277VAC	VM4LB05530C2GLG	VM4LB05530C2R5G	VM4LB05530C2S5G	VM4LB05530C2P5G	VM4LB05530C2ERN	VM4LB05530C2EPN
65④	3/4"	120-277VAC	VM4LB06530C2GLG	VM4LB06530C2R5G	VM4LB06530C2S5G	VM4LB06530C2P5G	VM4LB06530C2ERN	VM4LB06530C2EPN
70	3/4"	120-277VAC	VM4LB07030C2GLG	VM4LB07030C2R5G	VM4LB07030C2S5G	VM4LB07030C2P5G	VM4LB07030C2ERN	VM4LB07030C2EPN
80	3/4"	120-277VAC	VM4LB08030C2GLG	VM4LB08030C2R5G	VM4LB08030C2S5G	VM4LB08030C2P5G	VM4LB08030C2ERN	VM4LB08030C2EPN
90	3/4"	120-277VAC	VM4LB09030C2GLG	VM4LB09030C2R5G	VM4LB09030C2S5G	VM4LB09030C2P5G	VM4LB09030C2ERN	VM4LB09030C2EPN
100	3/4"	120-277VAC	VM4LB10030C2GLG	VM4LB10030C2R5G	VM4LB10030C2S5G	VM4LB10030C2P5G	VM4LB10030C2ERN	VM4LB10030C2EPN
105	3/4"	120-277VAC	VM4LB10530C2GLG	VM4LB10530C2R5G	VM4LB10530C2S5G	VM4LB10530C2P5G	VM4LB10530C2ERN	VM4LB10530C2EPN
130	3/4"	120-277VAC	VM4LB13030C2GLG	VM4LB13030C2R5G	VM4LB13030C2S5G	VM4LB13030C2P5G	VM4LB13030C2ERN	VM4LB13030C2EPN

VM4LC SERIES CONE WITH OPTIC AND GUARD ①

WATTS	HUB SIZE②	VOLTAGE③	GLOBE & GUARD	12" SPIN-TOP POLYCARBONATE FLAT LENS*	TYPE V GLASS REFRACTOR & GUARD	12" SPIN-TOP TYPE V GLASS REFRACTOR & GUARD	12" SPIN-TOP TYPE V POLYCARBONATE REFRACTOR & GUARD	POLYCARBONATE FOOD OPTIC
40④	3/4"	120-277VAC	VM4LC04030C2GLG	VM4LC04030C2PFN	VM4LC04030C2R5G	VM4LC04030C2S5G	VM4LC04030C2P5G	VM4LC04030C2EPN
50④	3/4"	120-277VAC	VM4LC05030C2GLG	VM4LC05030C2PFN	VM4LC05030C2R5G	VM4LC05030C2S5G	VM4LC05030C2P5G	VM4LC05030C2EPN
55④	3/4"	120-277VAC	VM4LC05530C2GLG	VM4LC05530C2PFN	VM4LC05530C2R5G	VM4LC05530C2S5G	VM4LC05530C2P5G	VM4LC05530C2EPN
65④	3/4"	120-277VAC	VM4LC06530C2GLG	VM4LC06530C2PFN	VM4LC06530C2R5G	VM4LC06530C2S5G	VM4LC06530C2P5G	VM4LC06530C2EPN
70	3/4"	120-277VAC	VM4LC07030C2GLG	VM4LC07030C2PFN	VM4LC07030C2R5G	VM4LC07030C2S5G	VM4LC07030C2P5G	VM4LC07030C2EPN
80	3/4"	120-277VAC	VM4LC08030C2GLG	VM4LC08030C2PFN	VM4LC08030C2R5G	VM4LC08030C2S5G	VM4LC08030C2P5G	VM4LC08030C2EPN
90	3/4"	120-277VAC	VM4LC09030C2GLG	VM4LC09030C2PFN	VM4LC09030C2R5G	VM4LC09030C2S5G	VM4LC09030C2P5G	VM4LC09030C2EPN
100	3/4"	120-277VAC	VM4LC10030C2GLG	VM4LC10030C2PFN	VM4LC10030C2R5G	VM4LC10030C2S5G	VM4LC10030C2P5G	VM4LC10030C2EPN
105	3/4"	120-277VAC	VM4LC10530C2GLG	VM4LC10530C2PFN	VM4LC10530C2R5G	VM4LC10530C2S5G	VM4LC10530C2P5G	VM4LC10530C2EPN
130	3/4"	120-277VAC	VM4LC13030C2GLG	VM4LC13030C2PFN	VM4LC13030C2R5G	VM4LC13030C2S5G	VM4LC13030C2P5G	VM4LC13030C2EPN

① Catalog numbers shown are with Guard (except ER/EP/IPF); to omit guard change ending G to N; e.g. VM4LB05530C2GLN.

② Catalog numbers shown are with 3/4" conduit openings; change "2" to "3" for 1"; e.g. VM4LB05530C3GLG.

③ 120VAC through 277VAC 50/60Hz. See logic for other voltages.

④ 40W, 50W, 55W and 65W are available in VM2LB/VM2LC shallower housings. Substitute VM2L for VM4L in catalog number.

* For Glass 12" Spin-Top Flat Lens change PFN to GFN at end of catalog number.

LIGHTING

VM2&4LB, VM2&4LC SERIES



HIGH WATTAGE – ORDERING INFORMATION



Globe & Guard or
Glass Refractor & Guard



Spin-Top Poly or
Glass Flat Lens



Spin-Top Poly or
Glass Refractor



Enclosed
Reflector



Globe Guard &
Angle Reflector

VM4LB SERIES 25° STANCHION WITH OPTIC AND GUARD ①								
WATTS	HUB SIZE ②	VOLTAGE ③	GLOBE & GUARD	TYPE V GLASS REFRACTOR & GUARD	12" SPIN-TOP TYPE V GLASS REFRACTOR & GUARD	12" SPIN-TOP TYPE V POLYCARBONATE REFRACTOR & GUARD	ENCLOSED REFLECTOR	GLOBE, GUARD & ANGLE REFLECTOR ④
40Ⓞ	1-1/2"	120-277VAC	VM4LB04030D5GLG	VM4LB04030D5R5G	VM4LB04030D5S5G	VM4LB04030D5P5G	VM4LB04030D5ERN	VM4LB04030D5GLG-A
50Ⓞ	1-1/2"	120-277VAC	VM4LB05030D5GLG	VM4LB05030D5R5G	VM4LB05030D5S5G	VM4LB05030D5P5G	VM4LB05030D5ERN	VM4LB05030D5GLG-A
55Ⓞ	1-1/2"	120-277VAC	VM4LB05530D5GLG	VM4LB05530D5R5G	VM4LB05530D5S5G	VM4LB05530D5P5G	VM4LB05530D5ERN	VM4LB05530D5GLG-A
65Ⓞ	1-1/2"	120-277VAC	VM4LB06530D5GLG	VM4LB06530D5R5G	VM4LB06530D5S5G	VM4LB06530D5P5G	VM4LB06530D5ERN	VM4LB06530D5GLG-A
70	1-1/2"	120-277VAC	VM4LB07030D5GLG	VM4LB07030D5R5G	VM4LB07030D5S5G	VM4LB07030D5P5G	VM4LB07030D5ERN	VM4LB07030D5GLG-A
80	1-1/2"	120-277VAC	VM4LB08030D5GLG	VM4LB08030D5R5G	VM4LB08030D5S5G	VM4LB08030D5P5G	VM4LB08030D5ERN	VM4LB08030D5GLG-A
90	1-1/2"	120-277VAC	VM4LB09030D5GLG	VM4LB09030D5R5G	VM4LB09030D5S5G	VM4LB09030D5P5G	VM4LB09030D5ERN	VM4LB09030D5GLG-A
100	1-1/2"	120-277VAC	VM4LB10030D5GLG	VM4LB10030D5R5G	VM4LB10030D5S5G	VM4LB10030D5P5G	VM4LB10030D5ERN	VM4LB10030D5GLG-A
105	1-1/2"	120-277VAC	VM4LB10530D5GLG	VM4LB10530D5R5G	VM4LB10530D5S5G	VM4LB10530D5P5G	VM4LB10530D5ERN	VM4LB10530D5GLG-A
130	1-1/2"	120-277VAC	VM4LB13030D5GLG	VM4LB13030D5R5G	VM4LB13030D5S5G	VM4LB13030D5P5G	VM4LB13030D5ERN	VM4LB13030D5GLG-A

VM4LC SERIES 25° STANCHION WITH OPTIC AND GUARD ①								
WATTS	HUB SIZE ②	VOLTAGE ③	GLOBE & GUARD	12" SPIN-TOP POLYCARBONATE FLAT LENS* ⑤	TYPE V GLASS REFRACTOR & GUARD	12" SPIN-TOP TYPE V GLASS REFRACTOR & GUARD	12" SPIN-TOP TYPE V POLYCARBONATE REFRACTOR & GUARD	GLOBE, GUARD & ANGLE REFLECTOR ④
40Ⓞ	1-1/2"	120-277VAC	VM4LC04030D5GLG	VM4LC04030D5PFN	VM4LC04030D5R5G	VM4LC04030D5S5G	VM4LC04030D5P5G	VM4LC04030D5GLG-A
50Ⓞ	1-1/2"	120-277VAC	VM4LC05030D5GLG	VM4LC05030D5PFN	VM4LC05030D5R5G	VM4LC05030D5S5G	VM4LC05030D5P5G	VM4LC05030D5GLG-A
55Ⓞ	1-1/2"	120-277VAC	VM4LC05530D5GLG	VM4LC05530D5PFN	VM4LC05530D5R5G	VM4LC05530D5S5G	VM4LC05530D5P5G	VM4LC05530D5GLG-A
65Ⓞ	1-1/2"	120-277VAC	VM4LC06530D5GLG	VM4LC06530D5PFN	VM4LC06530D5R5G	VM4LC06530D5S5G	VM4LC06530D5P5G	VM4LC06530D5GLG-A
70	1-1/2"	120-277VAC	VM4LC07030D5GLG	VM4LC07030D5PFN	VM4LC07030D5R5G	VM4LC07030D5S5G	VM4LC07030D5P5G	VM4LC07030D5GLG-A
80	1-1/2"	120-277VAC	VM4LC08030D5GLG	VM4LC08030D5PFN	VM4LC08030D5R5G	VM4LC08030D5S5G	VM4LC08030D5P5G	VM4LC08030D5GLG-A
90	1-1/2"	120-277VAC	VM4LC09030D5GLG	VM4LC09030D5PFN	VM4LC09030D5R5G	VM4LC09030D5S5G	VM4LC09030D5P5G	VM4LC09030D5GLG-A
100	1-1/2"	120-277VAC	VM4LC10030D5GLG	VM4LC10030D5PFN	VM4LC10030D5R5G	VM4LC10030D5S5G	VM4LC10030D5P5G	VM4LC10030D5GLG-A
105	1-1/2"	120-277VAC	VM4LC10530D5GLG	VM4LC10530D5PFN	VM4LC10530D5R5G	VM4LC10530D5S5G	VM4LC10530D5P5G	VM4LC10530D5GLG-A
130	1-1/2"	120-277VAC	VM4LC13030D5GLG	VM4LC13030D5PFN	VM4LC13030D5R5G	VM4LC13030D5S5G	VM4LC13030D5P5G	VM4LC13030D5GLG-A

① Catalog numbers shown are with Guard (except ER/EP/PF); to omit guard change ending G to N; e.g. VM4LB05530D5GLN.

② Catalog numbers shown are with 1-1/2" conduit openings; change "5" to "4" for 1-1/4"; e.g. VM4LB05530D4GLG.

③ 120VAC through 277VAC 50/60Hz. See logic for other voltages.

④ See logic for reflector ordering options or order angle reflector VMPA40 separately.

⑤ 40W, 50W, 55W and 65W are available in VM2LB/VM2LC shallower housings. Substitute VM2L for VM4L in catalog number.

* For Glass 12" Spin-Top Flat Lens change PFN to GFN at end of catalog number.



VM2&4LB, VM2&4LC SERIES

KILLARK

HIGH WATTAGE – ORDERING INFORMATION



Globe & Guard or Glass Refractor & Guard



Spin-Top Poly or Glass Flat Lens



Spin-Top Poly or Glass Refractor



Enclosed Reflector



Globe, Guard and Dome Reflector

VM4LB SERIES STRAIGHT STANCHION WITH OPTIC AND GUARD ^①								
WATTS	HUB SIZE ^②	VOLTAGE ^③	GLOBE & GUARD	TYPE V GLASS REFRACTOR & GUARD	12" SPIN-TOP TYPE V GLASS REFRACTOR & GUARD	12" SPIN-TOP TYPE V POLYCARBONATE REFRACTOR & GUARD	ENCLOSED REFLECTOR	GLOBE GUARD AND DOME REFLECTOR ^④
40 ^④	1-1/2"	120-277VAC	VM4LB04030S5GLG	VM4LB04030S5R5G	VM4LB04030S5S5G	VM4LB04030S5P5G	VM4LB04030S5ERN	VM4LB04030S5GLG-S
50 ^④	1-1/2"	120-277VAC	VM4LB05030S5GLG	VM4LB05030S5R5G	VM4LB05030S5S5G	VM4LB05030S5P5G	VM4LB05030S5ERN	VM4LB05030S5GLG-S
55 ^④	1-1/2"	120-277VAC	VM4LB05530S5GLG	VM4LB05530S5R5G	VM4LB05530S5S5G	VM4LB05530S5P5G	VM4LB05530S5ERN	VM4LB05530S5GLG-S
65 ^④	1-1/2"	120-277VAC	VM4LB06530S5GLG	VM4LB06530S5R5G	VM4LB06530S5S5G	VM4LB06530S5P5G	VM4LB06530S5ERN	VM4LB06530S5GLG-S
70	1-1/2"	120-277VAC	VM4LB07030S5GLG	VM4LB07030S5R5G	VM4LB07030S5S5G	VM4LB07030S5P5G	VM4LB07030S5ERN	VM4LB07030S5GLG-S
80	1-1/2"	120-277VAC	VM4LB08030S5GLG	VM4LB08030S5R5G	VM4LB08030S5S5G	VM4LB08030S5P5G	VM4LB08030S5ERN	VM4LB08030S5GLG-S
90	1-1/2"	120-277VAC	VM4LB09030S5GLG	VM4LB09030S5R5G	VM4LB09030S5S5G	VM4LB09030S5P5G	VM4LB09030S5ERN	VM4LB09030S5GLG-S
100	1-1/2"	120-277VAC	VM4LB10030S5GLG	VM4LB10030S5R5G	VM4LB10030S5S5G	VM4LB10030S5P5G	VM4LB10030S5ERN	VM4LB10030S5GLG-S
105	1-1/2"	120-277VAC	VM4LB10530S5GLG	VM4LB10530S5R5G	VM4LB10530S5S5G	VM4LB10530S5P5G	VM4LB10530S5ERN	VM4LB10530S5GLG-S
130	1-1/2"	120-277VAC	VM4LB13030S5GLG	VM4LB13030S5R5G	VM4LB13030S5S5G	VM4LB13030S5P5G	VM4LB13030S5ERN	VM4LB13030S5GLG-S

VM4LC SERIES STRAIGHT STANCHION WITH OPTIC AND GUARD ^①								
WATTS	HUB SIZE ^②	VOLTAGE ^③	GLOBE & GUARD	12" SPIN-TOP POLYCARBONATE FLAT LENS*	TYPE V GLASS REFRACTOR & GUARD	12" SPIN-TOP TYPE V GLASS REFRACTOR & GUARD	12" SPIN-TOP TYPE V POLYCARBONATE REFRACTOR & GUARD	GLOBE GUARD AND DOME REFLECTOR ^④
40 ^④	1-1/2"	120-277VAC	VM4LC04030S5GLG	VM4LC04030S5PFN	VM4LC04030S5R5G	VM4LC04030S5S5G	VM4LC04030S5P5G	VM4LC04030S5GLG-S
50 ^④	1-1/2"	120-277VAC	VM4LC05030S5GLG	VM4LC05030S5PFN	VM4LC05030S5R5G	VM4LC05030S5S5G	VM4LC05030S5P5G	VM4LC05030S5GLG-S
55 ^④	1-1/2"	120-277VAC	VM4LC05530S5GLG	VM4LC05530S5PFN	VM4LC05530S5R5G	VM4LC05530S5S5G	VM4LC05530S5P5G	VM4LC05530S5GLG-S
65 ^④	1-1/2"	120-277VAC	VM4LC06530S5GLG	VM4LC06530S5PFN	VM4LC06530S5R5G	VM4LC06530S5S5G	VM4LC06530S5P5G	VM4LC06530S5GLG-S
70	1-1/2"	120-277VAC	VM4LC07030S5GLG	VM4LC07030S5PFN	VM4LC07030S5R5G	VM4LC07030S5S5G	VM4LC07030S5P5G	VM4LC07030S5GLG-S
80	1-1/2"	120-277VAC	VM4LC08030S5GLG	VM4LC08030S5PFN	VM4LC08030S5R5G	VM4LC08030S5S5G	VM4LC08030S5P5G	VM4LC08030S5GLG-S
90	1-1/2"	120-277VAC	VM4LC09030S5GLG	VM4LC09030S5PFN	VM4LC09030S5R5G	VM4LC09030S5S5G	VM4LC09030S5P5G	VM4LC09030S5GLG-S
100	1-1/2"	120-277VAC	VM4LC10030S5GLG	VM4LC10030S5PFN	VM4LC10030S5R5G	VM4LC10030S5S5G	VM4LC10030S5P5G	VM4LC10030S5GLG-S
105	1-1/2"	120-277VAC	VM4LC10530S5GLG	VM4LC10530S5PFN	VM4LC10530S5R5G	VM4LC10530S5S5G	VM4LC10530S5P5G	VM4LC10530S5GLG-S
130	1-1/2"	120-277VAC	VM4LC13030S5GLG	VM4LC13030S5PFN	VM4LC13030S5R5G	VM4LC13030S5S5G	VM4LC13030S5P5G	VM4LC13030S5GLG-S

① Catalog numbers shown are with Guard (except ER/EPIP); to omit guard change ending G to N; e.g. VM4LB05530S5GLN.

② Catalog numbers shown are with 1-1/2" conduit openings; change "5" to "4" for 1-1/4"; e.g. VM4LB05530S4GLG.

③ 120VAC through 277VAC 50/60Hz. See logic for other voltages.

④ See logic for reflector ordering options or order dome reflector VMPSD40 separately.

⑤ 40W, 50W, 55W and 65W are available in VM2LB/VM2LC shallower housings. Substitute VM2L for VM4L in catalog number.

* For Glass 12" Spin-Top Flat Lens change PRN to GFN at end of catalog number.

LIGHTING

VM2&4LB, VM2&4LC SERIES



HIGH WATTAGE – ORDERING INFORMATION



Globe & Guard or Glass Refractor & Guard



Spin-Top Poly or Glass Flat Lens



Spin-Top Poly or Glass Refractor



Enclosed Reflector



Poly Food Optic

VM4LB SERIES EZ ADAPTER WITH OPTIC AND GUARD ① ②

WATTS	HUB SIZE ②	VOLTAGE ③	GLOBE & GUARD	TYPE V GLASS REFRACTOR & GUARD	12" SPIN-TOP TYPE V GLASS REFRACTOR & GUARD	12" SPIN-TOP TYPE V POLYCARBONATE REFRACTOR & GUARD	ENCLOSED REFLECTOR	POLYCARBONATE FOOD OPTIC
40Ⓞ	②	120-277VAC	VM4LB04030EZGLG	VM4LB04030EZR5G	VM4LB04030EZR5G	VM4LB04030EZR5G	VM4LB04030EZERN	VM4LB04030EZEPN
50Ⓞ	②	120-277VAC	VM4LB05030EZGLG	VM4LB05030EZR5G	VM4LB05030EZR5G	VM4LB05030EZR5G	VM4LB05030EZERN	VM4LB05030EZEPN
55Ⓞ	②	120-277VAC	VM4LB05530EZGLG	VM4LB05530EZR5G	VM4LB05530EZR5G	VM4LB05530EZR5G	VM4LB05530EZERN	VM4LB05530EZEPN
65Ⓞ	②	120-277VAC	VM4LB06530EZGLG	VM4LB06530EZR5G	VM4LB06530EZR5G	VM4LB06530EZR5G	VM4LB06530EZERN	VM4LB06530EZEPN
70	②	120-277VAC	VM4LB07030EZGLG	VM4LB07030EZR5G	VM4LB07030EZR5G	VM4LB07030EZR5G	VM4LB07030EZERN	VM4LB07030EZEPN
80	②	120-277VAC	VM4LB08030EZGLG	VM4LB08030EZR5G	VM4LB08030EZR5G	VM4LB08030EZR5G	VM4LB08030EZERN	VM4LB08030EZEPN
90	②	120-277VAC	VM4LB09030EZGLG	VM4LB09030EZR5G	VM4LB09030EZR5G	VM4LB09030EZR5G	VM4LB09030EZERN	VM4LB09030EZEPN
100	②	120-277VAC	VM4LB10030EZGLG	VM4LB10030EZR5G	VM4LB10030EZR5G	VM4LB10030EZR5G	VM4LB10030EZERN	VM4LB10030EZEPN
105	②	120-277VAC	VM4LB10530EZGLG	VM4LB10530EZR5G	VM4LB10530EZR5G	VM4LB10530EZR5G	VM4LB10530EZERN	VM4LB10530EZEPN
130	②	120-277VAC	VM4LB13030EZGLG	VM4LB13030EZR5G	VM4LB13030EZR5G	VM4LB13030EZR5G	VM4LB13030EZERN	VM4LB13030EZEPN

VM4LC SERIES EZ ADAPTER WITH OPTIC AND GUARD ① ②

WATTS	HUB SIZE ②	VOLTAGE ③	GLOBE & GUARD	12" SPIN-TOP POLYCARBONATE FLAT LENS*	TYPE V GLASS REFRACTOR & GUARD	12" SPIN-TOP TYPE V GLASS REFRACTOR & GUARD	12" SPIN-TOP TYPE V POLYCARBONATE REFRACTOR & GUARD	POLYCARBONATE FOOD OPTIC
40Ⓞ	②	120-277VAC	VM4LC04030EZGLG	VM4LC04030EZPFN	VM4LC04030EZR5G	VM4LC04030EZR5G	VM4LC04030EZR5G	VM4LC04030EZEPN
50Ⓞ	②	120-277VAC	VM4LC05030EZGLG	VM4LC05030EZPFN	VM4LC05030EZR5G	VM4LC05030EZR5G	VM4LC05030EZR5G	VM4LC05030EZEPN
55Ⓞ	②	120-277VAC	VM4LC05530EZGLG	VM4LC05530EZPFN	VM4LC05530EZR5G	VM4LC05530EZR5G	VM4LC05530EZR5G	VM4LC05530EZEPN
65Ⓞ	②	120-277VAC	VM4LC06530EZGLG	VM4LC06530EZPFN	VM4LC06530EZR5G	VM4LC06530EZR5G	VM4LC06530EZR5G	VM4LC06530EZEPN
70	②	120-277VAC	VM4LC07030EZGLG	VM4LC07030EZPFN	VM4LC07030EZR5G	VM4LC07030EZR5G	VM4LC07030EZR5G	VM4LC07030EZEPN
80	②	120-277VAC	VM4LC08030EZGLG	VM4LC08030EZPFN	VM4LC08030EZR5G	VM4LC08030EZR5G	VM4LC08030EZR5G	VM4LC08030EZEPN
90	②	120-277VAC	VM4LC09030EZGLG	VM4LC09030EZPFN	VM4LC09030EZR5G	VM4LC09030EZR5G	VM4LC09030EZR5G	VM4LC09030EZEPN
100	②	120-277VAC	VM4LC10030EZGLG	VM4LC10030EZPFN	VM4LC10030EZR5G	VM4LC10030EZR5G	VM4LC10030EZR5G	VM4LC10030EZEPN
105	②	120-277VAC	VM4LC10530EZGLG	VM4LC10530EZPFN	VM4LC10530EZR5G	VM4LC10530EZR5G	VM4LC10530EZR5G	VM4LC10530EZEPN
130	②	120-277VAC	VM4LC13030EZGLG	VM4LC13030EZPFN	VM4LC13030EZR5G	VM4LC13030EZR5G	VM4LC13030EZR5G	VM4LC13030EZEPN

① Catalog numbers shown are with Guard (except ER/EPI/PF); to omit guard change ending G to N; e.g. VM4LB05530EZGLN.

② VMEZA tank adapters UL "classified" as an assembly for use between VM tanks and EZ mounts. Order EZ mounts separately - see page L31 on components page.

③ 120VAC through 277VAC 50/60Hz. See logic for other voltages.

Ⓞ 40W, 50W, 55W and 65W are available in VM2LB/VM2LC shallower housings. Substitute VM2L for VM4L in catalog number.

* For Glass 12" Spin-Top Flat Lens change PFN to GFN at end of catalog number.



VM2&4LB, VM2&4LC SERIES

KILLARK

HIGH WATTAGE – COMPONENTS



Pendant



Ceiling



Wall



Cone Top



25° Stanchion



Straight Stanchion



EZ Adapter*
VMEZA



Tank Adapter
See next page to order

CERTILITE® VM MOUNTING SPLICE BOXES

HUB SIZE	CATALOG NUMBER						
	PENDANT	CEILING 4 HUB	CEILING 5 HUB	WALL	CONE TOP	25 DEGREE STANCHION	90 DEGREE STANCHION
3/4"	VMA2B	VMX2B	VMX6B	VMB2B	VMC2B	—	—
1"	VMA3B	VMX3B	VMX7B	VMB3B	VMC3B	—	—
1-1/4"	—	—	—	—	—	VMD4B	VMS4B
1-1/2"	—	—	—	—	—	VMD5B	VMS5B
M-20	—	VMX8B**	VMX9B**	VMB8B**	—	—	—

* VMEZA is used between a ballast tank and an EZ mount - ordered separately. See catalog grids.

** Furnished with Ⓢ non-metallic plugs. Also available: VMB10B wall 4xM25 hubs, and VMB810B 2xM20 side hubs and 2xM25 top/bottom

VM2L/VM4L LED OPTICS AND ACCESSORIES

DESCRIPTION	OPTIC LOGIC	GUARDⓈ
Flat Lens (glass spin top) "C" tank only	VZRGF12 (GF)	VZRF12GRD
Flat Lens (polycarbonate spin top) "C" tank only*	VZRPF12 (PF)	VZRF12GRD
Globe (glass)	VMG25 (GL)	VMAG25S
Refractor (all glass) Type V	VMR255 (R5)	VMAG25S
Enclosed Reflector	VMER40 (ER)	VMERG
Enclosed Reflector with polycarbonate Lens*	VMEP40 (EP)Ⓢ	—
Refractor (polycarbonate spin top) 12" Type V*	VZRP175B (P5)	VMRWGS
Refractor (glass spin top) 12" Type V	VZRG4050 (S5)	VMRWGS

* Non-glass over Food/Grain Class II Div 1 Group G Certified; VMEP40, VZRP175B, and VZRPF12

VM2L/VM4L LED REFLECTORS AND ACCESSORIES

DOME REFLECTOR (Polyester reinforced fiberglass)	VMPSD40
ANGLE REFLECTOR (Polyester reinforced fiberglass)	VMPA40
DEEP DOME REFLECTOR (White Painted Aluminum)	HRD400
DEEP DOME REFLECTOR (Anodized Aluminum)	HRD400ALZ
120VAC Photocell with FS Style CoverⓈ	VMFSPC1
208-277VAC Photocell with FS Style CoverⓈ	VMFSPC2
Bottom Closure for VMAG25SⓈ	VMAGBC
4-sided EXIT Accessory (use without guard)Ⓢ	VEXA400

Ⓢ Order single-gang FS box separately. For photocell factory installed in tank, see logic.

Ⓢ For use with Generator or UPS powered fixtures

Ⓢ For wall applications mount must be spaced out for bottom hub

Ⓢ Guards are 316 Stainless Steel. Bottom closure for VMAG25S pt. no. VMAGBC



VMG25



VMR255
VMR253
VMR251



VMAG25S



VMAGBC



VMER40



VMERG



VMEP40



VZRG4050
VZRG4020



VMRWGS



VZRPF/VZRGF



VMPSD40

Standard Dome, Fiberglass
White Reflector, Dia: 16"



VMPA40

300 Angle, Fiberglass
White Reflector, Dia: 16"



VMFSPC



VEXA400

Fixture not included



HRD400

Deep Aluminum, White
Reflector, Dia: 21"



HRD400ALZ

Deep Aluminum, Anodized
Reflector, Dia: 21"



VM2&4LB, VM2&4LC SERIES

HIGH WATTAGE – COMPONENTS & RATINGS



“EZ” Mount Adapter
For easy fixture relocation or to repair fixture on 'bench top'.

VMEZA adapter is used between a ballast tank and EZ mount ordered separately.

Competitive Adapters

Designed to ease upgrading of other manufacturer's fixtures to KILLARK LEDs where removal of existing mounting screws and conduit would be difficult and time consuming.



Patented Design



Pendant



Ceiling



Wall Bracket



25° Stanchion

MOUNTING BOXES				
CATALOG NUMBER				HUB SIZE
PENDANT	CEILING	BRACKET	STANCHION	
EZA2	EZX2	EZB3	—	3/4"
EZA3	EZX3	EZB3	—	1"
—	—	—	EZD4A	1-1/4" / 1/2"*

*1-1/2" furnished with 1-1/2"-1-1/4" reducer and extension.

Tank adapter to Crouse-Hinds® VM Series mounts Tank adapter to CH (70's era wall mount with deep box) Tank adapter to Appleton® MERCMASTER II mounts Tank adapter to Appleton® MERCMASTER III mounts Tank adapter to Hazlux® mounts	VMCHVM VMCHVM-DEEP VMM2LP VMM3KP VMHLDS
---	---

- ① Crouse-Hinds is a registered trademark of EATON® corporation.
- ② Appleton and MERCMASTER are registered trademarks of Emerson® Industrial Automation.
- ③ Hazlux is a registered trademark of Thomas & Betts.

TOTAL LUMEN OUTPUT						
WATTAGE	GLOBE (VM4LB)	GLOBE (VM4LC)	FLAT LENS (VM4LC)	L70		
				TM-21	CALCULATED	
40	4600	4180	3873	60100	270000	
50	6715	6087	5556	72600	278000	
55	5842	5275	4790	60100	270000	
65	8577	8229	7441	72600	278000	
70	7111	6524	5980	60100	270000	
80	8525	7559	6923	60100	270000	
90	10520	10210	9115	72600	278000	
100	1220	11910	10666	60100	270000	
105	10780	9600	8809	60100	270000	
130	15630	15370	13780	72600	278000	

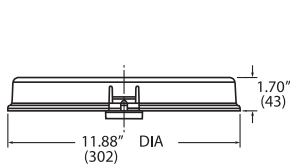
*** Extra high lumen per watt LED's**

- ① Driver THD<20%, Powerfactor 99% @ 120V; Line Regulation 2%; Load regulation 5%; Protected against Over-voltage and Over-current.
- ② Weights are shown with VM4LB with ceiling mount. VM4LC with ceiling mount approx. 17.4 lbs. For VM2L models, deduct approx. 1.25 lbs.
- ③ TM-21 based values require very long duration testing. The TM-21/L70 "official reported" value is based on at least 10,000 hours testing (at time of printing) at 1000mA to 1500mA drive current, depending on LED chip utilized - "Reported L70" is a factor of test duration. KILLARK's VM4LC/B series utilizes lower 700mA maximum drive current - "calculated" values by the major chip vendors utilized predict L70 life up to 278,000 hours even at 1000mA.
- ④ For a given wattage current values are the same, regardless of tank type VM2LB/C or VM4LB/C.
- ⑤ Replace (x) with tank size 2 or 4 and replace (y) with heat sink style B or C.

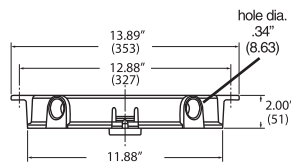
ORDERING INFORMATION AND AMBIENT SUITABILITY						C1D2			C2D1		
CATALOG NO. ⑤	WEIGHT LBS./KG	WATTS	VOLTAGE	AMPS	LUMENS	40°C	55°C	65°C	40°C	55°C	65°C
VM(x)L(y)4030	18.90 / 8.57	40	120-277 VAC	0.35-0.16							
VM(x)L(y)4033		40	347-480VAC	0.12-0.09		T4A	T4A	T4		EFG	
VM(x)L(y)4034		40	120-250VDC	0.33-0.16							
VM(x)L(y)5030		50	120-277 VAC	0.43-0.21							
VM(x)L(y)5033		50	347-480VAC	0.15-0.12		T4A	T4A	T4		EFG	
VM(x)L(y)5034		50	120-250VDC	0.42-0.20							
VM(x)L(y)5530		55	120-277 VAC	0.48-0.21							
VM(x)L(y)5533		55	347-480VAC	0.17-0.12		T4A	T4A	T4		EFG	
VM(x)L(y)5534		55	120-250VDC	0.46-0.22							
VM(x)L(y)6530		65	120-277 VAC	0.56-0.24							
VM(x)L(y)6533		65	347-480VAC	0.19-0.14		T4A	T4A	T4		EFG	
VM(x)L(y)6534		65	120-250VDC	0.54-0.26							
VM4L(y)7030		70	120-277 VAC	0.60-0.30							
VM4L(y)7033		70	347-480VAC	0.20-0.17		T4A	T4	-		EFG	-
VM4L(y)7034		70	120-250VDC	0.58-0.28							
VM4L(y)8030		80	120-277 VAC	0.68-0.30							
VM4L(y)8033		80	347-480VAC	0.24-0.17		T4A	T4	-		EFG	-
VM4L(y)8034		80	120-250VDC	0.67-0.32							
VM4L(y)9030		90	120-277 VAC	0.77-0.33							
VM4L(y)9033		90	347-480VAC	0.27-0.19		T4A	T4	-		EFG	-
VM4L(y)9034		90	120-250VDC	0.75-0.36							
VM4L(y)10030		100	120-277 VAC	0.85-0.39							
VM4L(y)10033		100	347-480VAC	0.29-0.23		T4A	T4	-		EFG	-
VM4L(y)10034		100	120-250VDC	0.83-0.40							
VM4L(y)10530		105	120-277 VAC	0.89-0.39							
VM4L(y)10533		105	347-480VAC	0.31-0.23		T4A	T4	-		EFG	-
VM4L(y)10534		105	120-250VDC	0.88-0.42							
VM4L(y)13030		130	120-277 VAC	1.10-0.46							
VM4L(y)13033		130	347-480 VAC	0.38-0.27		T4A	T4	-		EFG	-



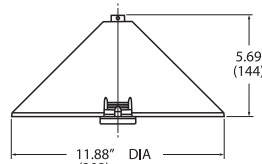
HIGH WATTAGE – DIMENSIONS & WEIGHTS



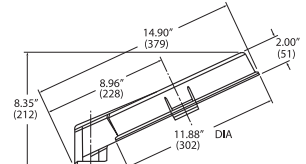
Pendant Mount



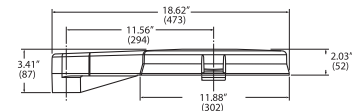
Ceiling Mount



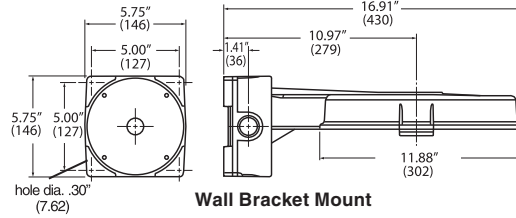
Cone Mount



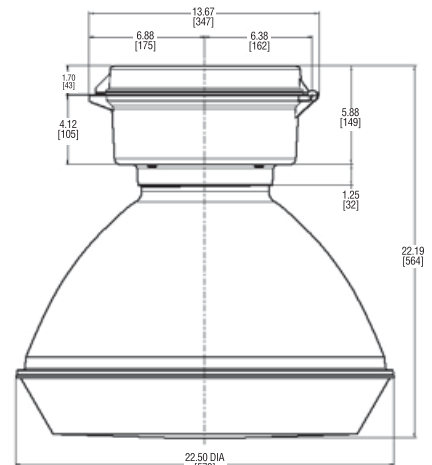
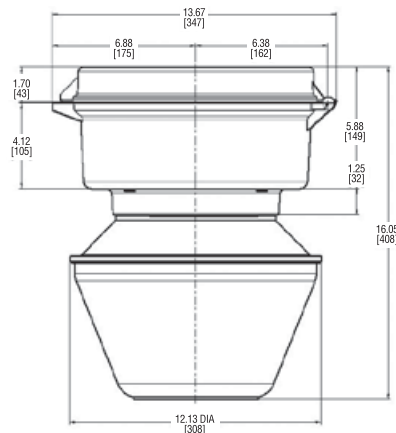
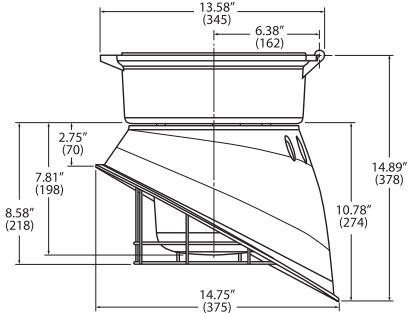
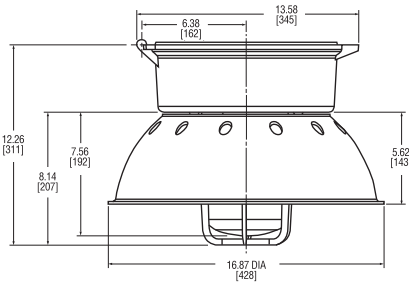
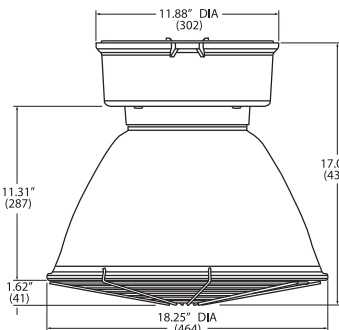
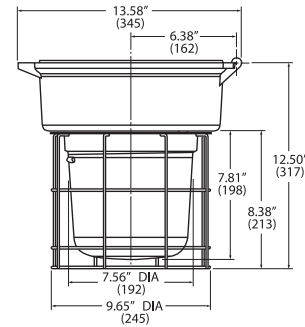
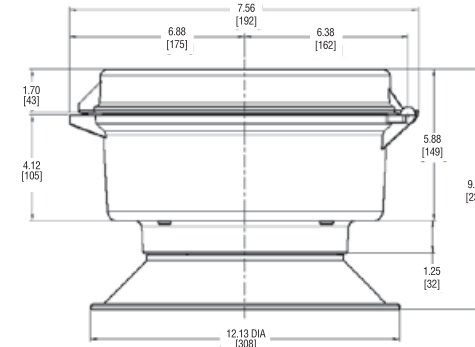
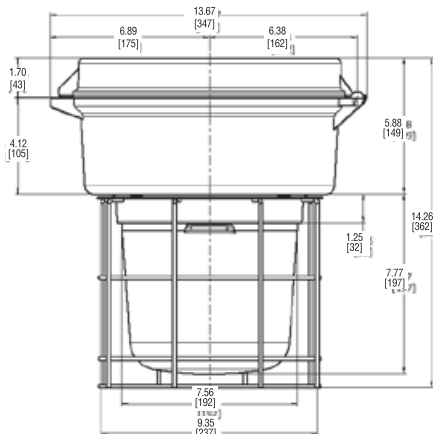
Stanchion (25°) Mount



Stanchion (0°) Mount



Wall Bracket Mount



For Height of VM2L models, deduct 1.56" (40mm) from VM4L tank, or overall dimensions with some mount and optic. All other dimensions are the same.

TYPICAL WEIGHTS (LBS.) W/STANDARD GLOBE AND GUARD - VM4LB/C SERIES			
Pendant 33.40	Ceiling 33.00	Wall 37.90	Stanchion 34.30