



VSQ SWITCHED RECEPTACLES



Plug

- VSQ Hazardous Location Ratings
Class I, Div. 1 & 2, Groups B, C, D
Class I, Zones I & 2, Groups IIB+H₂, IIA
Class II, Div. 1 & 2, Groups F & G
Class III
NEMA 3, 4, 4X, 7 (B, C, D), 9 (F, G)
- VWSQ for Wet & Corrosive Locations
NEMA 3, 4, 4X

Wire Range

30 Amp Regular Stranding Max #10
60 Amp Regular Stranding Max #4

VSQ File No. LR14667

VWSQ File No. E216488

FEATURES-SPECIFICATIONS

Features

- N4X with receptacle lid turned shut or with plug locking ring tightened
- Copper-free aluminum construction with electrostatically applied polyester/epoxy finish. Handle mechanism is chemical resistant Valox® (TM General Electric).
- Compact size and footprint
- Plug Interlock Mechanism for Dead-front construction. Switch cannot be turned "ON" without fully inserted plug. Plug cannot be removed with switch in "ON" position
- Plug held in place when switch is "Off" for convenience. Pull operated release mechanism. Plug and wiring do not have to be twisted or held to operate switch
- Factory Wired Receptacle; easy to wire line side of switch
- Easily visible "On-Off" indicator handle
- "Off" position is padlockable for maintenance safety
- Auxiliary Contact (late-make early-break) contact rated 10 Amp, 1/3 HP at 125/250 VAC. Can be used for operating pilot lights or starter coils (standard model only)

- Feed-through construction
- Horsepower Rated
- Internal switch horsepower rated as "motor disconnect"

HORSEPOWER RATINGS (VAC)①		120	240	480	600
30A	1Ø	2	5	10	15
	3Ø	3	7.5	15	20
60A	1Ø	-	10	15	20
	3Ø	-	10	25	30

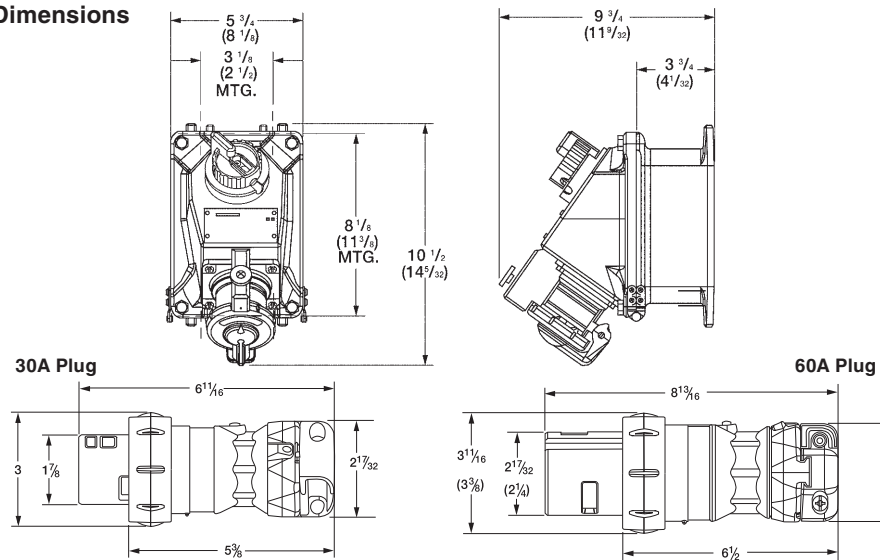
VSQ & VWSQ RECEPTACLES					
AMPS	CIRCUIT	CATALOG NUMBER			
		VSQ HAZARDOUS	VWSQ N4X ONLY	PLUG ORIG.	PLUG AT
30	2W3P	VSQ3023	VWSQ3023	VP3385	VP3023
	3W4P	VSQ3034	VWSQ3034	VP3485	VP3034
60	2W3P	VSQ6023	VWSQ6023	VP6385	VP6023
	3W4P	VSQ6034	VWSQ6034	VP6485	VP6034

NOTES: VSQ/VWSQ 30 Amp models come standard with 1" drilled and tapped conduit openings top and bottom plus two 1" x 3/4" reducers and one 3/4" close-up plug for maximum flexibility. 60 amp models come with 1-1/2" openings top and bottom and one 1-1/2" close-up plug.

VSQ & VWSQ Receptacle covers are NOT interchangeable.

① Refers to internal switch only.

Dimensions



Dimensions shown are in inches for 30 AMP: 60 Amp dimensions in ().

NOTES: Devices have adjustable ductile lugs (vertical or side) for attachment to uneven surfaces. Ordinary twist type wire connectors are used for final connections on 30A. 60A devices have terminal blocks.

MODIFICATIONS*	
CATALOG NUMBER	DESCRIPTION
S37	Polarization for receptacles, plugs

* See page PR3 for more information on this option

VersaMate VSQ & VWSQ Receptacles use VersaMate Style II plugs and are compatible with appropriately configured Crouse-Hinds® Arkrite® or Appleton® Powertite® plugs (when installed in accordance with instructions furnished with device)

Arkrite® is a registered trademark of Crouse-Hinds®. Powertite® is a registered trademark of Appleton®.