

# KILLARK®

## LED FLOOD LIGHT SOLUTIONS

..... *Harsh and Hazardous Products* .....

[www.hubbell-killark.com](http://www.hubbell-killark.com)





LED FLOOD LIGHTS

# KILLARK






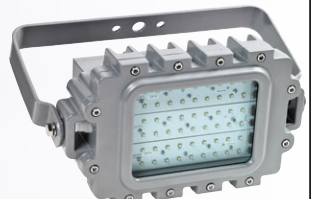


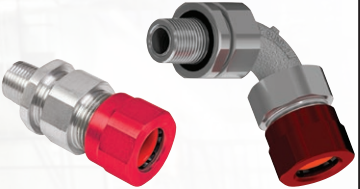
**KILLARK®**

[WWW.HUBBELL-KILLARK.COM](http://WWW.HUBBELL-KILLARK.COM)





### LIGHTING INDEX

PRODUCT	PAGE NO.	NEMA 4 (or 4X or IP66)	Class I, Div. 2 / Zone 2	Class II / III Div. 1	Class II / III Div. 2	Class I, Div. 1 C, D / Zone 1	IECEX Zone 1	ATEX Zone 1	IECEX Zone 2	ATEX Zone 2	PRODUCT	PAGE NO.	NEMA 4 (or 4X or IP66)	Class I, Div. 2 / Zone 2	Class II / III Div. 1	Class II / III Div. 2	Class I, Div. 1 C, D / Zone 1	IECEX Zone 1	ATEX Zone 1	IECEX Zone 2	ATEX Zone 2	
 KFL Series .....3-4		X	X	X	X				X	X	 KFL2H Series .....8-9		X	X	X	X					X	X
 KFLC Series .....5		X	X	X	X						 KF1L Series ..... 10-11		X	X	X	X	X	X	X	X	X	X
 KFLH Series .....6-7		X	X	X	X				X	X	 KWPL Series ..... 12-13											
											 MCX Cable Glands .....14-17											



FLOODLIGHTING

# KILLARK



2 **KILLARK**<sup>®</sup>

[WWW.HUBBELL-KILLARK.COM](http://WWW.HUBBELL-KILLARK.COM)





### C1D2 FLOOD – INTRODUCTION & LOGIC



## PETROBRIGHT® LED

### FEATURES-SPECIFICATIONS

#### Applications

LED Floods are designed for installations where moisture, dirt, dust, corrosion and vibration may be present, or Type 3 and 4X areas where wind, water, snow, or high ambients can be expected. They can be used in locations made hazardous by the presence of flammable vapors or gases or combustible dusts as defined by the NEC/CEC/IECEX/ATEX & INMETRO.

Typical applications include manufacturing plants, and certain chemical and petrochemical processing facilities, sewage treatment plants, off-shore and dockside installations, garages and storage facilities.

#### Compliances

- UL-8750 for LED lighting
- ANSI/UL 1598(A)
- UL-844 Standard for lighting fixtures for hazardous locations, Class I, Division 2; Class II, Divisions 1 and 2; Class III
- CSA C22.2 no. 137-M1981 electric luminaires for use in hazardous locations
- Enclosed and gasketed
- Type 3, 4X
- IP66
- IEX suffix Zone 2/21 to IEC 60079-0, 60079-15, 60079-31 Standards

#### Materials

- Body, end caps and lens frame corrosion resistant copper-free aluminum alloy with baked powder epoxy/polyester finish, electrostatically applied for complete, uniform corrosion protection
- All external hardware - stainless steel
- Thermal shock and impact resistant glass lens
- High temperature silicone gasketing
- Trunnion heavy gauge galvanized steel with painted finish



#### LED Flood Features and Standards

Supplemental **20KA/10KV Surge Protection** is **standard** (for 120-277 VAC models)  
**10KA/10KV Surge Protection** (for 347-480 VAC)

- Crisp White Light for Excellent Color Rendering - Chromaticity 5000K (CCT); approx. 70 CRI
- Energy Savings – High lumens per watt
- LED Array Life – 100,000+ hours with 70% initial lumens
- Long Fixture Life – 50,000 - 55,000 maintenance free hours
- Ambient suitability -50°C to 55°C up to 125W
- Instant On – Including after power interruption
- World Voltage 120 – 277VAC 50/60Hz
- Solder-LESS LED Board Connections – Vibration Resistant

Class I, Div. 2, Groups A,B,C,D  
 Class II, Div. 1&2, Groups EFG  
 Class III  
 Suitable for wet locations  
 Marine Rated (US Only)  
 Type 3, 4X  
 IP66

CS SP US File LR11713

IEC Ex Rated model (w/IEX suffix)  
 Zone 2 and Zone 21 areas  
 Ex nA IIC T6...T3, Gc  
 Ex tb IIC T160°C Db  
 Tamb -50°C <Ta<+55°C, IP66

IECEX Certificate  
 CSA 14.0002X

ATEX Certificate  
 CML 14ATEX3087/4088

#### PATENTED LUMINAIRE DESIGN

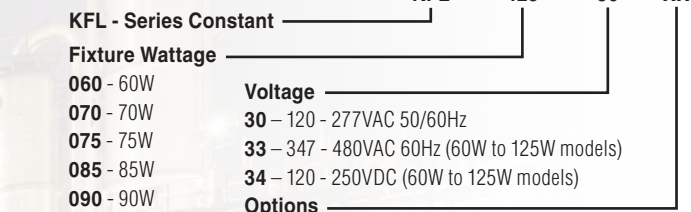


KFL with KFS-6 Slipfitter mount on 2" pipe

Dark Sky Visor  
 KFL-DARK

IEX Units include Qty. 3 6mm terminals plus external ground as standard

#### Catalog Number Logic



#### PL - Polycarbonate Lens

- F - Single Fuse (Not for use in Canada)
- FF - Double Fuse (Not for use in Canada)
- TBL - Terminal Blocks **Looping** (Std. w/IEX)
- P1 - 120V Photocell, factory installed
- P2 - 208V-277V Photocell, factory installed
- P3 - 347V Photocell, factory installed

- D20 - 2x M20 entries
- D25 - 2x M25 entries
- D75 - 2 x 3/4" NPT

SY - 316 SS Yoke

IEX - IECEx & ATEX includes TBL and External Ground (to 125W)



Consult website for current list of approved luminaires

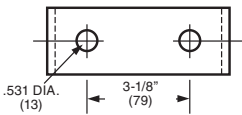


## C1D2 FLOOD – ORDERING INFORMATION & TECHNICAL DATA

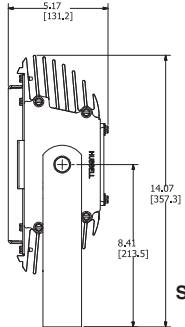
ORDERING INFORMATION AND AMBIENT SUITABILITY						C1D2		C1D2 SIMULTANEOUS		C2D1		IEC ZONE 2		IEC ZONE 21	
CATALOG NO.	WEIGHT LBS./KG	WATTS	VOLTAGE	AMPS	DELIVERED LUMENS	40°C	55°C	40°C	55°C	40°C	55°C	40°C	55°C	40°C	55°C
KFL06030	30.00 / 13.61	60	120-277VAC	0.50-0.20	6111	T6	T5	T3C	T3C	T3C (EFG)	T3C (EFG)	T6	T5	145	160
KFL07030		70	120-277VAC	0.60-0.30	9742	T6	T5	T3C	T3C	T3C (EFG)	T3C (EFG)	T6	T5	145	160
KFL07530		75	120-277VAC	0.60-0.30	7454	T6	T5	T3C	T3C	T3C (EFG)	T3C (EFG)	T6	T5	145	160
KFL08530		85	120-277VAC	0.70-0.30	10840	T6	T5	T3C	T3C	T3C (EFG)	T3C (EFG)	T6	T5	145	160
KFL08533			347-480VAC	0.24-0.17											
KFL08534			120-250VDC	0.70-0.27											
KFL09030		90	120-277VAC	0.80-0.40	9023	T6	T5	T3C	T3C	T3C (EFG)	T3C (EFG)	T6	T5	145	160
KFL09033			347-480VAC	0.28-0.23											
KFL09034			120-250VDC	0.80-0.36											
KFL10530		105	120-277VAC	0.90-0.40	10370	T4A	T4A	T3C	T3C	T3C (EFG)	T3C (EFG)	T4	T4	145	160
KFL10533			347-480VAC	0.31-0.23											
KFL10534			120-250VDC	0.90-0.36											
KFL11030		110	120-277VAC	0.90-0.40	13780	T6	T5	T3C	T3C	T3C (EFG)	T3C (EFG)	T6	T5	145	160
KFL11033			347-480VAC	0.31-0.23											
KFL11034			120-250VDC	0.90-0.36											
KFL12530		125	120-277VAC	1.00-0.50	15340	T6	T5	T3C	T3C	T3C (EFG)	T3C (EFG)	T6	T5	145	160
KFL12533			347-480VAC	0.35-0.29											
KFL12534			120-250VDC	1.00-0.45											
KFL15030		150	120-277VAC	1.25-0.54	18550	T5	-	T3C	-	T3C (EFG)	-	T5	T5	160	160
KFL16530		165	120-277VAC	1.38-0.60	19220	T5	-	T3C	-	T3C (EFG)	-	T5	T4	160	160
KFL19530	195	120-277VAC	1.63-0.70	21940	T5	-	T3C	-	T3C (EFG)	-	T5	T4	160	160	

KFL MOUNTS AND ACCESSORIES	
CATALOG NUMBER	DESCRIPTION
KFS-6	Steel Slipfitter for 2" Pipe (2-3/8" o.d.) Tenon. Slips 3.75" Over Pipe.
KFCB	Heavy Duty Cast-Iron Crossarm Fitting for Horizontal Trunnion
KFWB	Heavy Duty Wall Mount and/or Pipe Clamp Fitting Clamps 2" Pipe (2-3/8" o.d.) Through 2-1/2" Pipe (2-7/8" o.d.)
K4040	Heavy Duty Steel Wall Bracket. (Must be with KFCB Crossarm Fitting)
4041	Heavy Duty Steel Wall Bracket 2" Pipe (2-3/8" o.d.) Tenon Fitting. Uses with KFS-6
KFLG	Wire Guard, 316 Stainless Steel (not used with KFL-DARK)
VMSC10	10' Stainless Steel Safety Cable with loop grip
KFL-DARK	Dark Sky Visor, White Painted Aluminum (not used with KFL)
KFL-DOOR	Replacement Door and Lens Assembly (for units w/o internal reflectors)
KFL-DOOR2	Replacement Internal Reflector and Lens Assembly

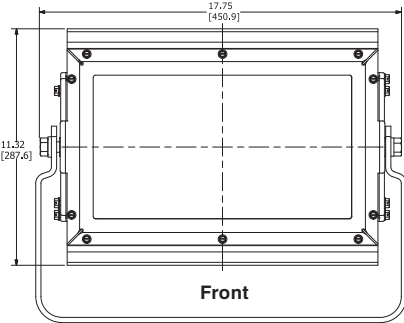
### Dimensions



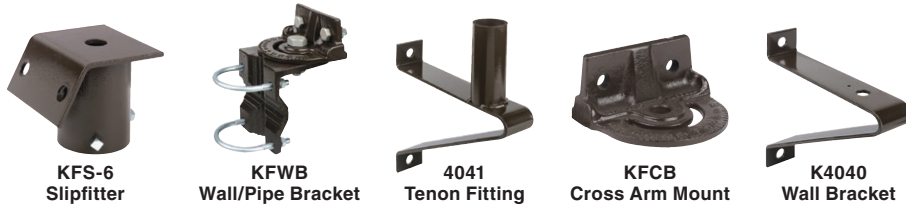
Trunnion Mounting Detail



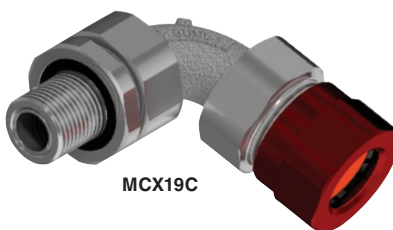
Side



Front



### CABLE GLAND ORDERING OPTIONS



CATALOG #	ENTRY THREAD SIZE (NPT)	BEND	CABLE ACCEPTANCE DETAILS	
			DIAMETER 'C'	
			MIN.	MAX.
MCX19C	1/2"	90°	.60" (15.2)	.82" (20.8)
MCX29	3/4"	90°	.73" (18.5)	1.03" (26.2)

For entire series, please see page 14



### COMPACT FLOOD – INTRODUCTION & LOGIC



**Class I, Div. 2, Groups A,B,C,D**  
**Class I, Zone 2, Groups IIC, IIB, IIA**  
**Class II, Div. 1 & 2, Groups E,F,G**  
**Class III**  
**Type 4X**

File LR11713

## PETROBRIGHT® LED

### FEATURES-SPECIFICATIONS

#### Applications

LED Compact Floods are designed for installations where moisture, dirt, dust, corrosion and vibration may be present, or Type 3 and 4X areas where wind, water, snow or high ambients can be expected. They can be used in locations made hazardous by the presence of flammable vapors or gases or combustible dusts as defined by the NEC.

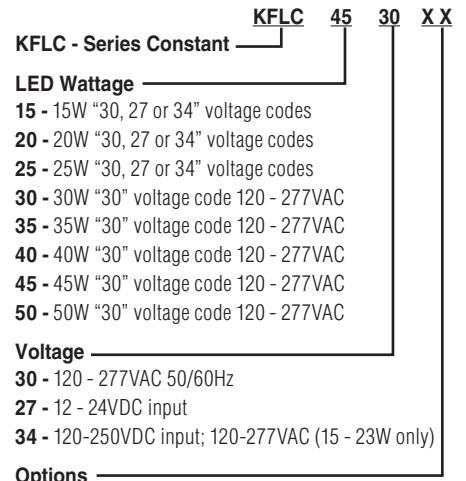
Typical applications include spot lighting or walkways in manufacturing plants, and certain chemical and petrochemical processing facilities, sewage treatment plants, off-shore and dockside installations, garages and storage facilities

#### LED Flood Features and Standards

Supplemental **20KA/10KV Surge Protection** is **standard** (for 120-277 VAC models)  
**10KA/10KV Surge Protection** (for 347-480 VAC)

- One 3/4" NPT hub & R-21 3/4" x 1/2" reducer is standard
- Crisp White Light for Excellent Color Rendering – Chromaticity 5000 K (CCT); approx. 70 CRI
- Energy Savings – High lumens per watt
- LED Array Life – 100,000+ hours with 70% initial lumens
- Long Fixture Life – 50,000 - 55,000 maintenance free hours
- Ambient suitability -40°C to 55°C
- Instant On – Including after power interruption
- Solder-LESS LED Board Connections – Vibration Resistant

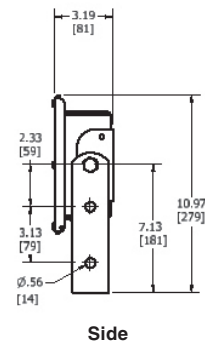
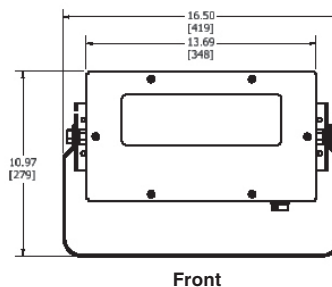
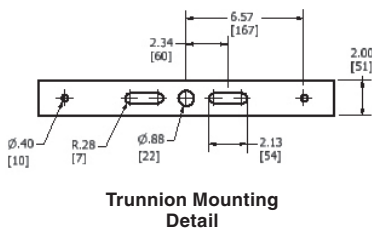
#### Catalog Number Logic



ORDERING INFORMATION AND AMBIENT SUITABILITY						C1D2		C1D2		C2D1		
CATALOG NO.	WEIGHT LBS./KG	WATTS	VOLTAGE	AMPS	DELIVERED LUMENS	40°C	55°C	40°C	55°C	40°C	55°C	
KFLC1527	9.50 / 4.31	15	12-24VDC	1.3-0.6	1435	T6	T6	T4	T3B	T4A	T4A	
KFLC1530			120-277VAC	0.2-0.1								
KFLC1534			120-250VDC	0.2-0.1								
KFLC2027		20	12-24VDC	1.7-0.8	2170	T6	T6	T4	T3B	T4A	T4A	
KFLC2030			120-277VAC	0.2-0.1								
KFLC2034			120-250VDC	0.2-0.1								
KFLC2527		25	12-24VDC	2.1-1.0	2667	T6	T6	T4	T3B	T4A	T4A	
KFLC2530			120-277VAC	0.2-0.1								
KFLC2534			120-250VDC	0.2-0.1								
KFLC3030		30	120-277VAC	0.26-0.11	2662	T6	T6	T4	T3B	T4A	T4A	
KFLC3530				0.30-0.13	3302	T6	T6	T4	T3B	T4A	T4A	
KFLC4030				0.34-0.15	4039	T6	T6	T4	T3B	T4A	T4A	
KFLC4530				0.38-0.17	4718	T6	T6	T4	T3B	T4A	T4A	
KFLC5030				0.42-0.18	5353	T6	T6	T4	T3B	T4A	T4A	

- LY- Less Yoke for Wall Mount
  - F- Single Fuse (Not for use in Canada)
  - FF- 2 Fuses (Not for use in Canada)
  - SP- Surge Protection
  - TBL- Terminal Blocks Looping
  - D75- Dual 3/4" threaded NPT entry
  - M25- Single M25 Slip-hole Entry
  - D25- Two M25 Slip-hole Entry
  - M20- Single M20 Slip-hole Entry
  - D20- Dual M20 Slip-hole Entry
- PL- Polycarbonate Lens**

#### Dimensions





## C1D2 FLOOD – INTRODUCTION & LOGIC



### PETROBRIGHT® LED FEATURES-SPECIFICATIONS

#### Applications

LED Floods are designed for installations where moisture, dirt, dust, corrosion and vibration may be present, or Type 3 and 4X areas where wind, water, snow or high ambients can be expected. They can be used in locations made hazardous by the presence of flammable vapors or gases or combustible dusts as defined by the NEC/CEC/IECEX/ATEX & INMETRO.

Typical applications include manufacturing plants, and certain chemical and petrochemical processing facilities, sewage treatment plants, off-shore and dockside installations, garages and storage facilities.

#### Compliances

- UL-8750 for LED lighting
- ANSI/UL 1598(A)
- UL-844 Standard for lighting fixtures for hazardous locations, Class I, Division 2; Class II, Divisions 1 and 2; Class III
- CSA C22.2 no. 137-M1981 electric luminaires for use in hazardous locations
- Enclosed and gasketed
- Type 3, 4X
- IP66

#### Materials

- Body and lens frame corrosion resistant copper-free aluminum alloy with baked powder epoxy/polyester finish, electrostatically applied for complete, uniform corrosion protection
- All external hardware – stainless steel
- Thermal shock and impact resistant glass lens (Polycarbonate available)
- High temperature silicone gasketing
- Trunnion heavy gauge 316 stainless steel



#### LED Flood Features and Standards

Supplemental **20KA/10KV Surge Protection** is **standard** (for 120-277 VAC models)  
**10KA/10KV Surge Protection** (for 347-480 VAC)

- Crisp White Light for Excellent Color Rendering – Chromaticity 5000K (CCT); approx. 70 CRI
- Energy Savings – High lumens per watt
- LED Array Life – 100,000+ hours with 70% initial lumens
- Long Fixture Life – 50,000 - 55,000 maintenance free hours
- Ambient suitability -40°C to 55°C up to 250W to -50°C for non-hazardous applications
- Instant On – Including after power interruption
- World Voltage 120 – 277VAC 50/60Hz
- Solder-LESS LED Board Connections – Vibration Resistant

Class I, Div. 2, Groups A, B, C, D  
Class I, Zone 2, IIC, IIB, IIA  
Class II, Div. 1 & 2, Groups E, F, G  
Class III  
Suitable for wet locations  
Marine Rated (US only)  
Type 3, 4X  
IP66

IEC Ex Rated Model (w/ IEX suffix)  
Zone 2 and Zone 21 areas  
Ex nA IIC T6...T3, Gc  
Ex tb IIC T105°C Db  
Tamb -50°C < Ta < +55°C, IP66

IECEX Certificate  
QPS 15.0011



ATEX Certificate  
CML 15ATEX4079X (nA)  
&  
CML 15ATEX3080X (tb)

**PATENTED  
LENS and  
REFLECTOR  
DESIGN**

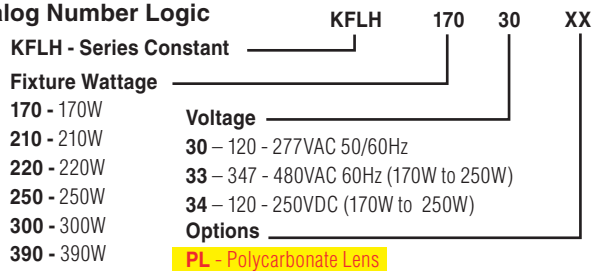


KFLH Luminaire



Dark Sky Visor  
KFLH-DARK

#### Catalog Number Logic



- F** - Single Fuse (Not for use in Canada)
- FF** - Double Fuse (Not for use in Canada)
- TBL** - Terminal Blocks **Looping**
- P1** - 120V Photocell, factory installed
- P2** - 208V-277V Photocell, factory installed
- P3** - 347V Photocell, factory installed

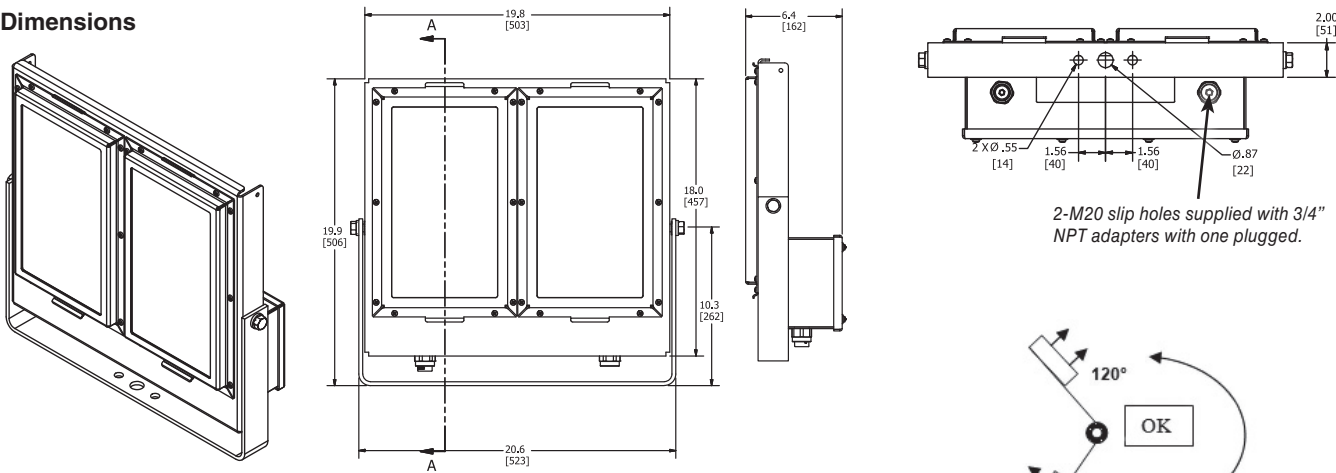




### C1D2 FLOOD – ORDERING INFORMATION & TECHNICAL DATA

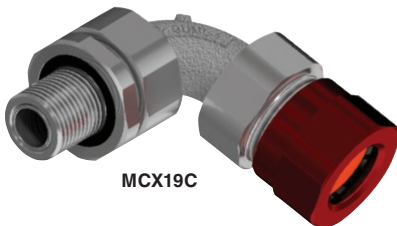
ORDERING INFORMATION AND AMBIENT SUITABILITY						C1D2		C1D2 SIMULTANEOUS		C2D1		IEC ZONE 2		IEC ZONE 21		
CATALOG NO.	WEIGHT LBS./KG	WATTS	VOLTAGE	AMPS	LUMENS	40°C	55°C	40°C	55°C	40°C	55°C	40°C	55°C	40°C	55°C	
KFLH17030	25.00 / 11.3	170	120-277VAC	1.46-0.63	21620	T4A	T4	T4	T3C	T4	T3C	T4	T4	T100°C	T100°C	
KFLH17033			347-480VAC	0.51-0.36												
KFLH17034			120-250VDC	1.46-0.56												
KFLH21030		210	210	120-277VAC	1.75-0.75	21220	T4A	T4	T4	T3C	T4	T3C	T4	T4	T100°C	T100°C
KFLH21033				347-480VAC	0.61-0.43											
KFLH21034				120-250VDC	1.75-0.68											
KFLH22030		220	220	120-277VAC	1.88-0.81	26970	T4A	T4	T4	T3C	T4	T3C	T4	T4	T100°C	T100°C
KFLH22033				347-480VAC	0.65-0.47											
KFLH22034				120-250VDC	1.88-0.73											
KFLH25030		250	250	120-277VAC	2.17-0.94	30950	T4A	T4	T4	T3C	T4	T3C	T4	T4	T100°C	T100°C
KFLH25033				347-480VAC	0.75-0.54											
KFLH25034				120-250VDC	2.17-0.85											
KFLH30030	300	300	120-277VAC	2.48-1.07	37030	T4A	-	-	-	-	-	T4	-	T110°C		
KFLH39030	390	390	120-277VAC	3.30-1.43	40410	T3C	-	-	-	-	-	T3	-	T110°C		

#### Dimensions



KFLH MOUNTS AND ACCESSORIES	
CATALOG NUMBER	DESCRIPTION
KFS-6	Steel Slipfitter for 2" Pipe (2-3/8" o.d.) Tenon. Slips 3.75" Over Pipe.
KFCB	Heavy Duty Cast-Iron Crossarm Fitting for Horizontal Trunnion
KFWB	Heavy Duty Wall Mount and/or Pipe Clamp Fitting Clamps 2" Pipe (2-3/8" o.d.) Through 2-1/2" Pipe (2-7/8" o.d.)
K4040	Heavy Duty Steel Wall Bracket. (Must be with KFCB Crossarm Fitting)
4041	Heavy Duty Steel Wall Bracket 2" Pipe (2-3/8" o.d.) Tenon Fitting. Use with KFS-6
KFLG	Wire Guard, 316 Stainless Steel (order 2 per fixture)
VMSC10	10' Stainless Steel Safety Cable with loop grip
KFLH-DARK	Dark Sky Visor, White Painted Aluminum
KFLH-DOOR	Replacement Internal Reflector and Lens Assembly (order 2 per fixture as required)

#### CABLE GLAND ORDERING OPTIONS



CATALOG #	ENTRY THREAD SIZE (NPT)	BEND	CABLE ACCEPTANCE DETAILS	
			DIAMETER 'C'	MIN.
MCX19C	1/2"	90°	.60" (15.2)	.82" (20.8)
MCX29	3/4"	90°	.73" (18.5)	1.03" (26.2)

For entire series, please see page 14





## KFL2H SERIES

# KILLARK

## C1D2 FLOOD – INTRODUCTION & LOGIC



Class I, Div. 2, Groups A, B, C, D  
 Class I, Zone 2, IIC, IIB, IIA  
 Class II, Div. 1 & 2, Groups E, F, G  
 Class III  
 Suitable for wet locations  
 Marine Rated (US only)  
 Type 3, 4X  
 IP66

IEC Ex Rated Model (w/ IEX suffix)  
 Zone 2 and Zone 21 areas  
 Ex nA IIC T6...T3, Gc  
 Ex tb IIC T105°C Db  
 Tamb -50°C ≤ Ta ≤ +55°C, IP66

IECEx Certificate  
 QPS 15.0011



ATEX Certificate  
 CML 15ATEX4079X (nA)  
 &  
 CML 15ATEX3080X (tb)

## PETROBRIGHT® LED

### FEATURES-SPECIFICATIONS

#### Applications

LED Floods are designed for installations where moisture, dirt, dust, corrosion and vibration may be present, or Type 3 and 4X areas where wind, water, snow or high ambients can be expected. They can be used in locations made hazardous by the presence of flammable vapors or gases or combustible dusts as defined by the NEC/CEC/IECEx/ATEX & INMETRO.

Typical applications include manufacturing plants, and certain chemical and petrochemical processing facilities, sewage treatment plants, off-shore and dockside installations, garages and storage facilities.

#### Compliances

- UL-8750 for LED lighting
- ANSI/UL 1598(A)
- UL-844 Standard for lighting fixtures for hazardous locations, Class I, Division 2; Class II, Divisions 1 and 2; Class III
- CSA C22.2 no. 137-M1981 electric luminaires for use in hazardous locations
- Enclosed and gasketed
- Type 3, 4X
- IP66

#### Materials

- Body and lens frame corrosion resistant copper-free aluminum alloy with baked powder epoxy/polyester finish, electrostatically applied for complete, uniform corrosion protection
- All external hardware – stainless steel
- Thermal shock and impact resistant glass lens (Polycarbonate available)
- High temperature silicone gasketing
- Trunnion heavy gauge 316 stainless steel

#### LED Flood Features and Standards

Supplemental **20KA/10KV Surge Protection** is **standard** (for 120-277 VAC models)  
**10KA/10KV Surge Protection** (for 347-480 VAC)

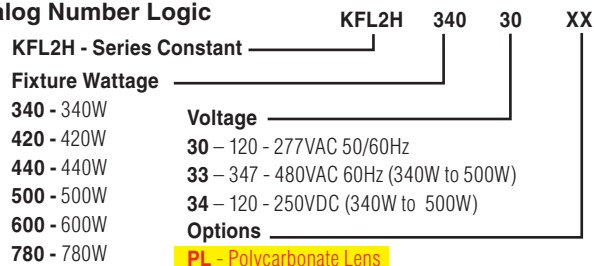
- Crisp White Light for Excellent Color Rendering – Chromaticity 5000K (CCT); approx. 70 CRI
- Energy Savings – High lumens per watt
- LED Array Life – 100,000+ hours with 70% initial lumens
- Long Fixture Life – 50,000 - 55,000 maintenance free hours
- Ambient suitability -40°C to 55°C up to 500W to -50°C for non-hazardous applications
- Instant On – Including after power interruption
- World Voltage 120 – 277VAC 50/60Hz
- Solder-LESS LED Board Connections – Vibration Resistant

#### PATENTED LENS and REFLECTOR DESIGN

Dark Sky Visor  
 KFLH-DARK



#### Catalog Number Logic



F - Single Fuse (Not for use in Canada)

FF - Double Fuse (Not for use in Canada)

TBL - Terminal Blocks **Looping**

P1 - 120V Photocell, factory installed

P2 - 208V-277V Photocell, factory installed

P3 - 347V Photocell, factory installed

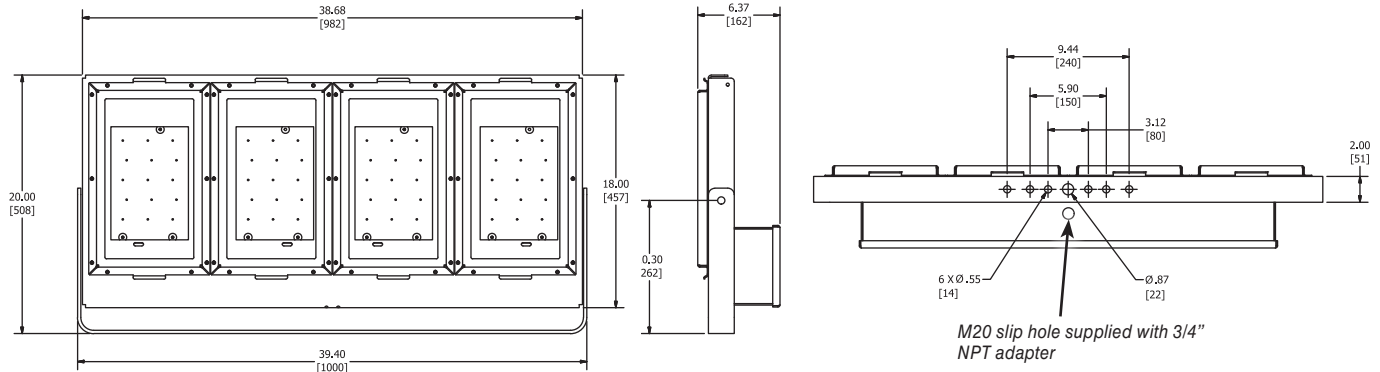
IEX - IEXEx includes TBL & External ground



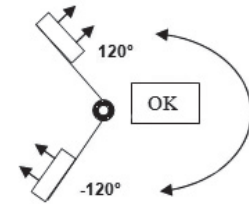
### C1D2 FLOOD – ORDERING INFORMATION & TECHNICAL DATA

ORDERING INFORMATION AND AMBIENT SUITABILITY						C1D2		C1D2 SIMULTANEOUS		C2D1		IEC ZONE 2		IEC ZONE 21	
CATALOG NO.	WEIGHT LBS./KG	WATTS	VOLTAGE	AMPS	LUMENS	40°C	55°C	40°C	55°C	40°C	55°C	40°C	55°C	40°C	55°C
KFL2H34030	50.00 / 22.6	340	120-277VAC	2.92-1.26	43240	T4A	T4	T4	T3C	T4	T3C	T4	T4	T85°C	T100°C
KFL2H34033			347-480VAC	1.02-0.72											
KFL2H34034			120-250VDC	2.92-1.12											
KFL2H42030		420	120-277VAC	3.50-1.50	42440	T4A	T4	T4	T3C	T4	T3C	T4	T4	T85°C	T100°C
KFL2H42033			347-480VAC	1.22-0.86											
KFL2H42034			120-250VDC	3.50-1.36											
KFL2H44030		440	120-277VAC	3.76-1.62	53940	T4A	T4	T4	T3C	T4	T3C	T4	T4	T85°C	T100°C
KFL2H44033			347-480VAC	1.30-0.94											
KFL2H44034			120-250VDC	3.76-1.46											
KFL2H50030		500	120-277VAC	4.34-1.88	61900	T4A	T4	T4	T3C	T4	T3C	T4	T4	T85°C	T100°C
KFL2H50033			347-480VAC	1.50-1.08											
KFL2H50034			120-250VDC	4.34-1.70											
KFL2H60030	600	120-277VAC	4.96-2.14	74060	T4A	T4	-	-	-	-	T4	T4	T85°C	T100°C	
KFL2H78030		780	120-277VAC												6.60-2.86

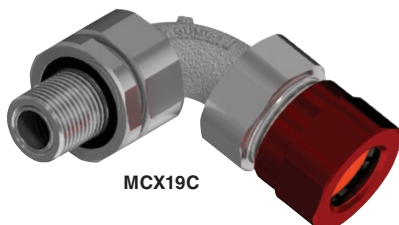
#### Dimensions



KFL2H MOUNTS AND ACCESSORIES	
CATALOG NUMBER	DESCRIPTION
KFS-6	Steel Slipfitter for 2" Pipe (2-3/8" o.d.) Tenon. Slips 3.75" Over Pipe
KFCB	Heavy Duty Cast-Iron Crossarm Fitting for Horizontal Trunnion
KFWB	Heavy Duty Wall Mount and/or Pipe Clamp Fitting Clamps 2" Pipe (2-3/8" o.d.) Through 2-1/2" Pipe (2-7/8" o.d.)
K4040	Heavy Duty Steel Wall Bracket. (Must be with KFCB Crossarm Fitting)
4041	Heavy Duty Steel Wall Bracket 2" Pipe (2-3/8" o.d.) Tenon Fitting. Use with KFS-6
KFLG	Wire Guard, 316 Stainless Steel (order 4 per fixture)
VMSC10	10' Stainless Steel Safety Cable with loop grip
KFLH-DARK	Dark Sky Visor, White Painted Aluminum
KFLH-DOOR	Replacement Internal Reflector and Lens Assembly (order 4 per fixture as required)



#### CABLE GLAND ORDERING OPTIONS



CATALOG #	ENTRY THREAD SIZE (NPT)	BEND	CABLE ACCEPTANCE DETAILS	
			DIAMETER 'C'	MIN.
MCX19C	1/2"	90°	.60" (15.2)	.82" (20.8)
MCX29	3/4"	90°	.73" (18.5)	1.03" (26.2)

For entire series, please see page 14



# KF1L SERIES

# KILLARK

## C1D1 FLOOD – INTRODUCTION & LOGIC



### PETROBRIGHT® LED

#### FEATURES-SPECIFICATIONS Applications

LED KF1L Series Explosion-proof Floods are designed for installations where moisture, dirt, dust, corrosion and vibration may be present, or Type 3 and 4X areas where wind, water, snow or high ambients can be expected. They can be used in locations made hazardous by the presence of flammable vapors or gases or combustible dusts as defined by the NEC/CEC/IECEX/ATEX & INMETRO

Typical applications include manufacturing plants, and certain chemical and petrochemical processing facilities, sewage treatment plants, off-shore and dockside installations, garages and storage facilities

#### Compliances

- UL-8750 for LED lighting
- ANSI/UL 1598A
- UL-844 Standard for lighting fixtures for hazardous locations, Class I, Division 1; Class II, Division 1; Class III
- CSA C22.2 no. 137-M1981 electric luminaires for use in hazardous locations
- Zone 1 and Zone 21 to IEC 60079-0,60079-1,60079-31, 60079-7 Standards
- Enclosed and gasketed
- Type 3, 4X
- IP66

#### Materials

- Body, end caps and lens frame corrosion resistant copper-free aluminum alloy with baked powder epoxy/polyester finish, electrostatically applied for complete, uniform corrosion protection
- All external hardware - stainless steel
- Thermal shock and impact resistant extra heavy-duty glass lens
- High temperature silicone gasketing
- Trunnion heavy gauge 316 SS



#### LED Flood Features and Standards

Supplemental **20KA/10KV Surge Protection** is **standard** (for 120-277 VAC models)  
**10KA/10KV Surge Protection** (for 347-480 VAC)

- **Factory Sealed Construction**
- One 3/4" NPT & one M20 entry standard (see logic for other choices)
- Crisp White Light for Excellent Color Rendering – Chromaticity 5000 K (CCT); approx. 70 CRI
- Energy Savings – High lumens per watt
- LED Array Life – 100,000+ hours with 70% initial lumens
- Long Fixture Life – 50,000 - 55,000 maintenance free hours
- Instant On – Including after power interruption
- World Voltage 120 – 277VAC 50/60Hz
- Solder-LESS LED Board Connections – Vibration Resistant

**Class I, Div. 1&2, Groups B,C,D**  
**Class I, Zone 1&2, Groups IIB+H2, IIA**  
**Class II, Div. 1&2, Groups EFG, Class III**  
**Enclosure Type 4X, IP66 (-50°C to +55°C)**

cSP us File LR11713

**IEC Ex Rated model (w/IEX or IEX4B suffix) Zone 1, Zone 21**

**Ex de IIB+H2 T6..T5, Gb, IP66**  
**Tamb -20°C ≤Ta ≤ +55°C; Option LT for -50°C ≤Ta ≤ +55°C**

**Ex de IIB T6..T5, Gb, -50°C ≤Ta ≤ +55°C**  
**Ex tb IIIC T90°C Db, -50°C ≤Ta ≤ +55°C**

**IECEX Certificate**  
**CSA 14.0010**

**ATEX Certificate**  
**SIRA14ATEX1159X**

**Patent Pending**  
**Fixture**  
**Design**



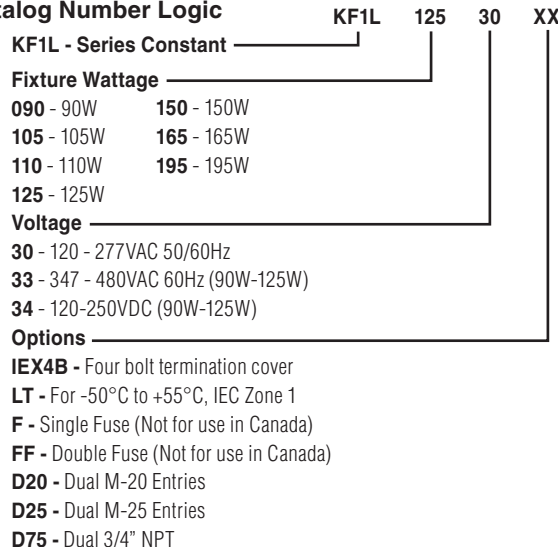
**KF1L with KFS-6 Slipfitter mount on 2" pipe**



**Dark Sky Visor**  
**KF1L-DARK**

**Suitable for Paint Spray**

#### Catalog Number Logic



**Construction/Certification Notes:**  
KF1L units are standard with one 3/4" NPT hub & one M20 hub – both plugged, with an 8-bolt factory sealed termination chamber, suitable for CID1 BCD -50°C to +55°C and IEC Zone 1 Ex de suitable for -20°C to 55°C.

Use option LT for models needing IEC Zone 1, -50°C to +55°C suitability for hydrogen.

Option IEX4B utilizes 4 terminal cover bolts for Ex de and maintains all ratings **EXCEPT CID1 BCD.**

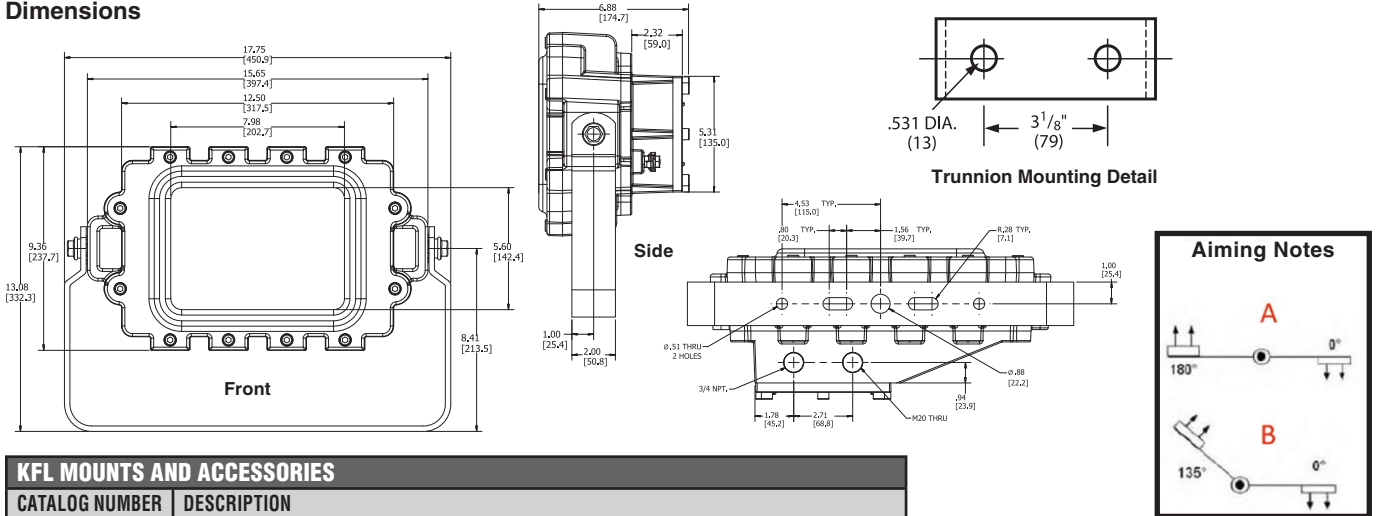
See logic for other entry options



### C1D1 FLOOD – ORDERING & TECHNICAL DATA

ORDERING INFORMATION AND AMBIENT SUITABILITY						C1D1		C2D1		IEC ZONE 1		IEC ZONE 21	
CATALOG NO.	WEIGHT LBS./KG	WATTS	VOLTAGE	AMPS	DELIVERED LUMENS	40°C	55°C	40°C	55°C	40°C	55°C	40°C	55°C
KF1L09030	46.00 / 20.87	90	120-277VAC	0.72-0.31	7182	T6	T6	(EFG)	Limited Aiming B	T6	T5	160-75	175-90
KF1L09033			347-480VAC	0.25-0.18									
KF1L09034			120-250VDC	0.72-0.28									
KF1L10530		105	120-277VAC	0.85-0.37	8362	T6	T6	(EFG)	Limited Aiming B	T6	T5	160-76	175-91
KF1L10533			347-480VAC	0.29-0.21									
KF1L10534			120-250VDC	0.85-0.33									
KF1L11030		110	120-277VAC	0.95-0.41	10590	T6	T6	(EFG)	Limited Aiming B	T6	T5	160-77	175-92
KF1L11033			347-480VAC	0.33-0.24									
KF1L11034			120-250VDC	0.95-0.37									
KF1L12530		125	120-277VAC	1.10-0.48	11590	T6	T6	(EFG)	Limited Aiming B	T6	T5	160-78	175-93
KF1L12533			347-480VAC	0.38-0.28									
KF1L12534			120-250VDC	1.10-0.43									
KF1L15030		150	120-277VAC	1.25-0.54	13280	T5	-	-	-	T5	-	-	-
KF1L16530		165	120-277VAC	1.38-0.60	13760	T5	-	-	-	T5	-	-	-
KF1L19530		195	120-277VAC	1.63-0.70	15707	T5	-	-	-	T5	-	-	-

#### Dimensions



KFL MOUNTS AND ACCESSORIES	
CATALOG NUMBER	DESCRIPTION
KFS-6	Steel Slipfitter for 2" Pipe (2-3/8" o.d.) Tenon. Slips 3.75" Over Pipe
KFCB	Heavy Duty Cast-Iron Crossarm Fitting for Horizontal Trunnion
KFWB	Heavy Duty Wall Mount and/or Pipe Clamp Fitting Clamps 2" Pipe (2-3/8" o.d.) Through 2-1/2" Pipe (2-7/8" o.d.)
K4040	Heavy Duty Steel Wall Bracket. (Must be with KFCB Crossarm Fitting)
4041	Heavy Duty Steel Wall Bracket 2" Pipe (2-3/8" o.d.) Tenon Fitting
KFLG	Wire Guard, 316 Stainless Steel
VMSC10	10' Stainless Steel Safety Cable with loop grip
KF1L-DARK	Dark Sky Visor, White Painted Aluminum
KF1L-DOOR	Replacement Door and Lens Assembly



#### CABLE GLAND ORDERING OPTIONS

CATALOG NUMBER	ENTRY THREAD SIZE (NPT)	CABLE ACCEPTANCE DETAILS	
		DIAMETER 'C'	
		MIN.	MAX.
MCX1B	1/2"	0.51" (13.0)	0.63" (16.0)
MCX1C	1/2"	0.60" (15.2)	0.82" (20.8)
MCX2	3/4"	0.73" (18.5)	1.03" (26.2)

For entire series, please see page 14



## WALLPACK



Class I, Div. 2, Groups A,B,C,D  
Class I, Zone 2, Groups IIC, IIB, IIA  
Type 4X



### FEATURES-SPECIFICATIONS

## CERTILITE®

#### Applications

KWPL Wall Luminaires are ideally suited for applications requiring a pleasing aesthetic appearance or hazardous location suitability in a compact energy saving fixture. Units are made of aluminum construction for cool operation with a bronze electrostatically applied powder-coat finish. Suitable for locations such as perimeter security lighting, parking areas, factories and parking garages.

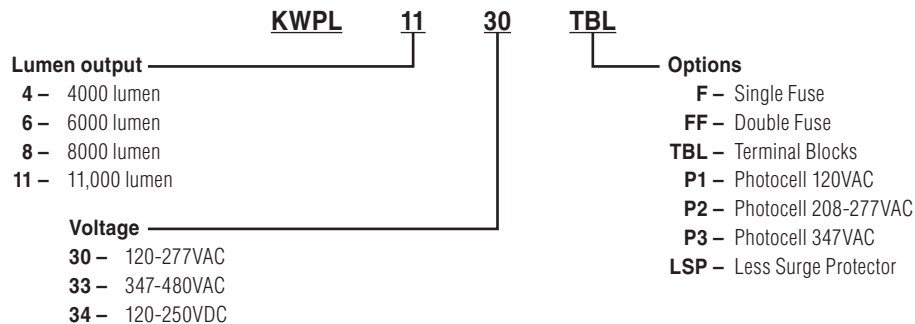
#### Features

- Aluminum with Bronze finish 1/2" hub on either side for conduit entry
- Suitability for 55°C ambient, 90°C supply wire required (see table)
- Lens thermal shock and impact resistant prismatic borosilicate glass
- Two Hubbell Guard® Corrosion resistant hex head fasteners provide water-tight seal for door gasket
- Options include: factory installed photo cells, fusing

#### Compliances

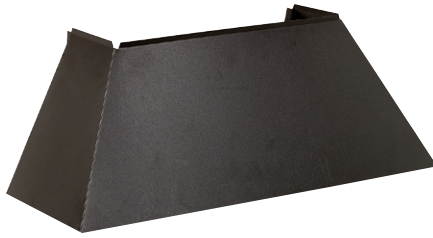
- UL 1598 Standard for Luminaires
- UL 844 Standard for lighting fixtures for hazardous locations
- CSA C22 no. 137-M1981 electric luminaires for use in hazardous locations
- Enclosed and gasketed
- Type 3, 4X
- LED Array Life – 100,000+ hours with 70% initial lumens
- Long Fixture Life – 50,000 - 55,000 maintenance free hours

### Catalog Logic

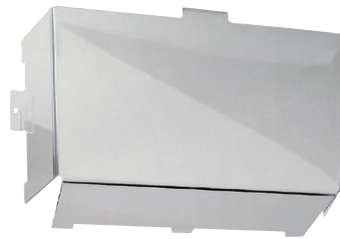




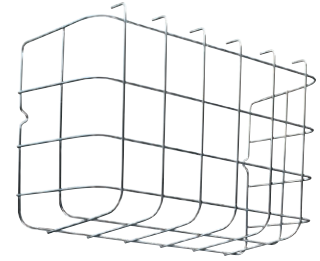
### WALLPACK



Glare Shield



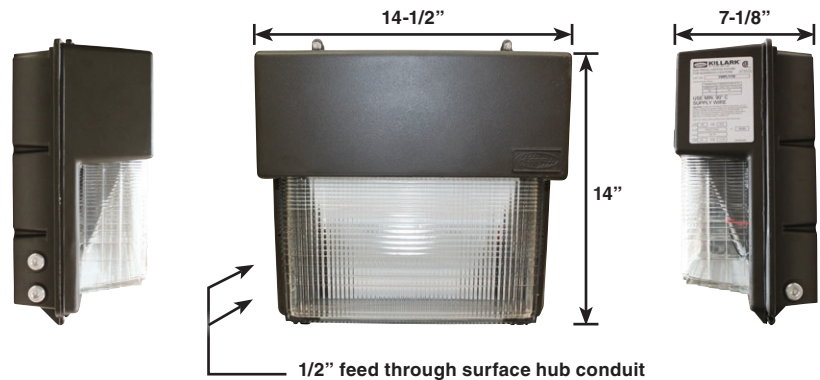
Clear Shield



Wire Guard

### ORDERING INFORMATION

ORDERING INFORMATION AND AMBIENT SUITABILITY						C1D2		
CATALOG NO.	WEIGHT LBS./KG	WATTS	VOLTAGE	AMPS	LUMENS	40°C	55°C	
KWPL430	14.00 / 6.35	34	120-277VAC	0.12 - 0.28	4436	T5	T4A	
KWPL433			347-480VAC	0.07 - 0.10		T5	T4A	
KWPL434			120-250VDC	0.14 - 0.28		T5	T4A	
KWPL630		46	46	120-277VAC	0.17 - 0.38	5636	T4A	T4
KWPL633				347-480VAC	0.10 - 0.13			
KWPL634				120-250VDC	0.18 - 0.38			
KWPL830		68	68	120-277VAC	0.25 - 0.57	8404	T4A	T4
KWPL833				347-480VAC	0.14 - 0.20			
KWPL834				120-250VDC	0.27 - 0.57			
KWPL1130		90	90	120-277VAC	0.32 - 0.75	10914	T4	-
KWPL1133				347-480VAC	0.19 - 0.26			
KWPL1134				120-250VDC	0.36 - 0.75			



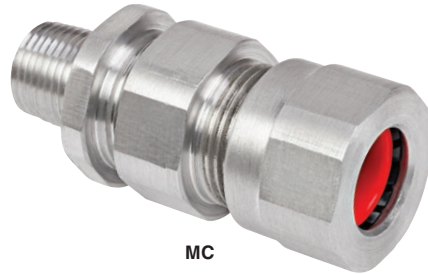
### Photo Cell Field Kits for Harsh Type 4X and Class I, Div. 2 Locations

PHOTO CELL FIELD KITS	
CATALOG NUMBER	VOLTS
VMFSPC1	120VAC
VMFSPC2	208-277VAC
VMFSPC3	347VAC

KWP ACCESSORIES	
CATALOG NUMBER	DESCRIPTION
PGPS	Clear Shield (Polycarbonate) for Protecting Lens
PGWG	Wire Guard, Cadmium Plated Steel
PVLV	Glare Shield Full Cutoff Visor – Formed Bronze Aluminum Forces light to Walkway
KWPLENS	Replacement Door and Lens



## ALUMINUM CABLE CONNECTORS



MC

Class II, Div. 1 & 2, Groups E, F, G  
 Class III  
 Class I, Zone 2†, Group IIC, Zone 20  
 Suitable for wet locations  
 Types 3, 4X IP66  
 MC5 thru MC0: IPX8 6ft 1hr  
 Suitable for use in hazardous location  
 applications when installed according to  
 NEC Articles 501.10



# CLENCHER®

### FEATURES-SPECIFICATIONS

#### Applications

Designed for use with jacketed interlocked, continuously corrugated and welded armor cable (all types shown in chart below). Install where it is essential to provide positive grounding to the cable and for a Type 3,4 connection.

#### Features

- 360° armor grounding spring is reusable.
- Robust threads and world class seal enables easy installation with minimal torque required.
- Design meets and exceeds third party requirements for cable retention.
- Provides sealing back nut plus inner O-ring seal to prevent moisture ingress to the cable armor and enclosure.
- Copper free aluminum construction for hostile, corrosive and certain hazardous locations

#### Materials

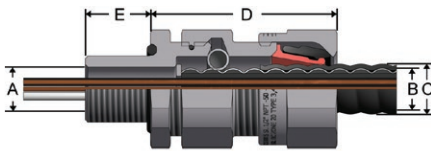
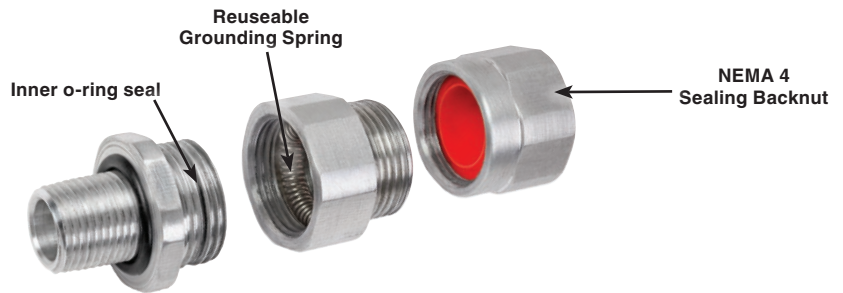
- Body – Copper free aluminum (less than 4/10 of 1%)
- Ground Spring – Stainless Steel
- Backnut Seal – Thermoplastic elastomer (silicone)

- Backnut Clamp – Nylon
- Inner and Outer O-rings – Nitrile

#### Operating Temperature Range

- -50°C to +60°C

#### Construction Details



SUITABLE ARMORED/METAL CLAD CABLE TYPES	
AC-	AC90, ACWU90, AC90-HL, ACWU90-HL, ACG90, ACGWU90
MC-	MCC, MCI, MCI-A, MC-HL
RA-	RA90, RA90-HL
TECK-	TECK90, TECK90-HL

CATALOG NUMBER	ENTRY THREAD SIZE (NPT)	MAX NUMBER OF CORES	THROUGH DIAMETER 'A'	CABLE ACCEPTANCE DETAILS				MAX LENGTH 'D'	NPT LENGTH 'E'	HEXAGON DIMENSIONS	
				ARMOR DIAMETER 'B'		DIAMETER 'C'				ACROSS FLATS	ACROSS CORNERS
				MIN.	MAX.	MIN.	MAX.				
MC1B	1/2"	6	.47" (11.9)	0.43" (10.9)	0.55" (14.0)	0.51" (13.0)	0.63" (16.0)	1.7" (43)	0.83" (21.1)	1.06" (26.9)	1.12" (28.4)
MC1C	1/2"	10	0.56" (14.2)	0.52" (13.2)	0.74" (18.8)	0.60" (15.2)	0.82" (20.8)	2.3" (58)	0.83" (21.1)	1.42" (36)	1.50" (38.1)
MC2	3/4"	21	0.80" (20.3)	0.65" (16.5)	0.95" (24.1)	0.73" (18.5)	1.03" (26.2)	2.5" (64)	0.84" (21.3)	1.61" (41)	1.69" (42.9)
MC3	1"	42	1.04" (26.4)	0.89" (22.6)	1.23" (31.2)	0.97" (24.6)	1.31" (33.3)	2.6" (66)	1.03" (26.2)	1.97" (50)	2.13" (54.1)
MC4	1 1/4"	73	1.28" (32.5)	1.15" (29.2)	1.48" (37.6)	1.23" (31.2)	1.56" (39.6)	3.1" (79)	1.05" (26.7)	2.36" (60)	2.50" (63.5)
MC5	1 1/2"	80	1.66" (42.2)	1.39" (35.3)	1.62" (41.1)	1.47" (37.3)	1.78" (45.2)	4.5" (114.3)	1.07" (27.2)	2.95" (74.9)	3.06" (77.7)
MC6	2"	80	1.98" (50.3)	1.39" (35.3)	1.89" (48)	1.47" (37.3)	2.04" (51.8)	4.5" (114.3)	1.10" (27.9)	2.95" (74.9)	3.06" (77.7)
MC7	2 1/2"	100	2.46" (62.5)	1.85" (47)	2.36" (60)	1.93" (49)	2.51" (63.8)	4.7" (119.4)	1.62" (41.1)	3.54" (89.1)	3.65" (92.7)
MC8	3"	120	2.93" (74.4)	2.19" (55.6)	2.81" (71.4)	2.27" (57.7)	3.01" (76.5)	4.8" (121.9)	1.68" (42.7)	4.06" (103.1)	4.22" (107.2)
MC9	3 1/2"	120	3.40" (86.4)	2.69" (68.3)	3.28" (83.3)	2.77" (70.4)	3.46" (87.9)	4.8" (121.9)	1.73" (43.9)	4.53" (115.1)	4.69" (119.1)
MC0	4"	120	3.92" (99.6)	3.28" (83.3)	3.82" (97)	3.46" (87.9)	4.07" (103.4)	5.1" (129.5)	1.78" (45.2)	5.12" (130)	5.33" (135.4)

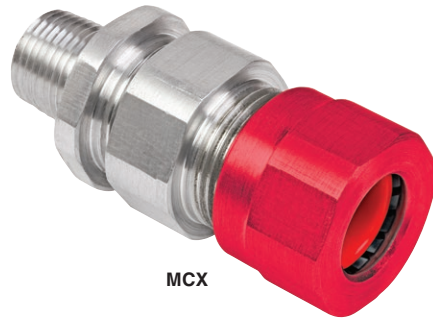
Cable armor diameter and cable jacket diameter refer to the dimensions across the crest.

† Where explosion proof/flameproof enclosures are being used the MC must be installed in conjunction with an approved sealing fitting. In Division 2 areas the MC can be fitted directly to an enclosure which has no source of ignition.





### ALUMINUM CABLE CONNECTORS



MCX

# GLENCHER®

**Class I, Div. 1 & 2, Groups A, B, C, D**  
**Class II, Div. 1 & 2, Groups E, F, G**  
**Class III**  
**Class I, Zones 1 & 2, Group IIC, Zone 20**  
**Types 3, 4X IP66**  
**MCX5-MCX0: IPX8 6ft/1hr.**



#### FEATURES-SPECIFICATIONS

##### Applications

Designed for use with jacketed interlocked, continuously corrugated and welded armor cable (all types shown in chart below). Install where it is essential to provide positive grounding to the cable with a complete gas block/explosion proof seal. Also for a Type 3, 4X connection.

##### Features

- 360° armor grounding spring is reusable.
- Robust threads and world class seal enables easy installation with minimal torque required.
- Provides a barrier seal between the individual insulated cores within the cable and prevents entry of the products of an explosion into the cable.
- Assembly of the cable gland compresses and distributes the compound evenly to create a barrier seal at the point of entry into the enclosure.

- Provides cable retention and a low smoke and fume, zero halogen seal onto the cables outer sheath.
- Provides sealing back nut plus inner O-ring seal to prevent moisture ingress to the cable armor and enclosure
- Copper free aluminum construction for harsh, corrosive and hazardous duty
- Back nut is RED to indicate HAZARDOUS area product

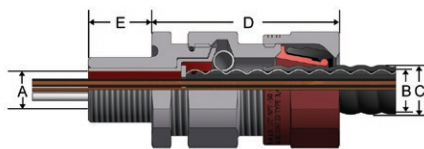
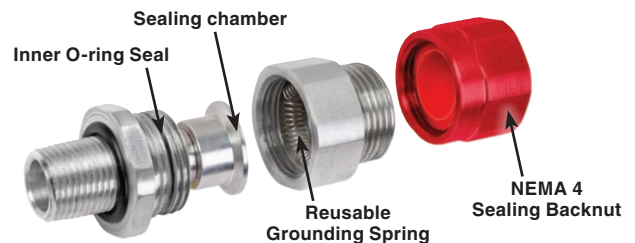
##### Materials

- Body – Copper free aluminum (less than 4/10 of 1%)
- Ground Spring – Stainless Steel
- Backnut Seal – Thermoplastic elastomer (silicone)
- Backnut Clamp – Nylon
- Inner and Outer O-rings – Nitrile

##### Operating Temperature Range

- -50°C to +60°C

##### Construction Details



SUITABLE ARMORED/METAL CLAD CABLE TYPES	
AC-	AC90, ACWU90, AC90-HL, ACWU90-HL, ACG90, ACGWU90
MC-	MCC, MCI, MCI-A, MC-HL
RA-	RA90, RA90-HL
TECK-	TECK90, TECK90-HL

CATALOG NUMBER	ENTRY THREAD SIZE (NPT)	MAX NUMBER OF CORES	CABLE ACCEPTANCE DETAILS						MAX LENGTH 'D'	NPT LENGTH 'E'	HEXAGON DIMENSIONS	
			THROUGH DIAMETER 'A'	ARMOR DIAMETER 'B'		DIAMETER 'C'		ACROSS FLATS			ACROSS CORNERS	
				MIN.	MAX.	MIN.	MAX.					
MCX1B	1/2"	6	0.39" (9.9)	0.43" (10.9)	0.55" (14.0)	0.51" (13.0)	0.63" (16.0)	2.1" (53.3)	0.83" (21.1)	1.06" (26.9)	1.12" (28.4)	
MCX1C	1/2"	10	0.48" (12.2)	0.52" (13.2)	0.74" (18.8)	0.60" (15.2)	0.82" (20.8)	2.4" (61)	0.83" (21.1)	1.42" (36)	1.50" (38.1)	
MCX2	3/4"	21	0.71" (18.1)	0.65" (16.5)	0.95" (24.1)	0.73" (18.5)	1.03" (26.2)	2.6" (66)	0.84" (21.3)	1.61" (41)	1.69" (42.9)	
MCX3	1"	42	0.96" (26.4)	0.89" (22.6)	1.23" (31.2)	0.97" (24.6)	1.31" (33.3)	2.7" (69)	1.03" (26.2)	1.97" (50)	2.13" (54.1)	
MCX4	1 1/4"	73	1.16" (29.5)	1.15" (29.5)	1.48" (37.6)	1.23" (31.2)	1.56" (39.6)	3.2" (81)	1.05" (26.7)	2.36" (60)	2.50" (63.5)	
MCX5	1 1/2"	80	1.35" (34.3)	1.39" (35.3)	1.62" (41.1)	1.47" (37.3)	1.78" (45.2)	4.5" (114.3)	1.07" (27.2)	2.95" (75)	3.06" (77.8)	
MCX6	2"	80	1.62" (41.1)	1.39" (35.3)	1.89" (48.0)	1.47" (37.3)	2.04" (51.8)	4.5" (114.3)	1.10" (27.9)	2.95" (75)	3.06" (77.8)	
MCX7	2 1/2"	100	2.09" (53.1)	1.85" (47.0)	2.36" (59.9)	1.93" (49.0)	2.51" (63.8)	4.7" (119.4)	1.62" (41.1)	3.54" (90)	3.65" (92.8)	
MCX8	3"	120	2.52" (64.0)	2.19" (55.6)	2.81" (71.4)	2.27" (57.7)	3.01" (76.5)	4.8" (121.9)	1.68" (42.7)	4.06" (103)	4.22" (107.2)	
MCX9	3 1/2"	120	3.01" (76.5)	2.69" (68.3)	3.28" (83.3)	2.77" (70.4)	3.46" (87.9)	4.8" (121.9)	1.73" (43.9)	4.53" (115)	4.69" (119.2)	
MCX0	4"	120	3.50" (88.9)	3.28" (83.3)	3.82" (97.0)	3.46" (87.9)	4.07" (103.4)	5.1" (129.5)	1.78" (45.2)	5.12" (130)	5.33" (135.3)	

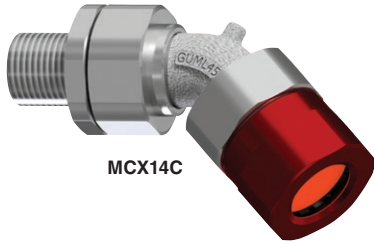
Cable armor diameter and cable jacket diameter refer to the dimensions across the crest.



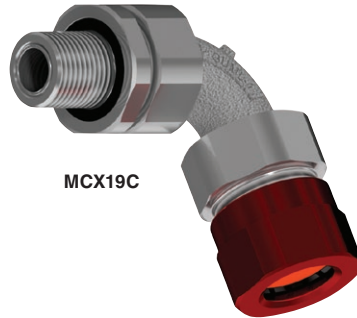
# MCX 45°/90° SERIES

# KILLARK

## ALUMINUM CABLE CONNECTORS



MCX14C



MCX19C

Class I, Div. 1, Groups A, B, C, D  
 Class II, Div. 1, Groups E, F, G  
 Class III,  
 CL. I Zone 1 GR. IIC. Zone 20  
 Types 3, 4X, IP66



### FEATURES-SPECIFICATIONS

#### Applications:

Designed for use with jacketed interlock, continuously corrugated and welded armor cable where it is essential to prevent explosive vapors from passing through electrical devices. This series provides a 45 and 90 degree bend for the most compact space. It is rated for indoor and outdoor use.

#### Features:

- 360° armor grounding spring is reusable
- Provides a barrier seal between the individual insulated cores within the cable
- Assembly of the cable gland compresses and distributes the compound evenly to create a barrier seal at the point of entry into the enclosure.
- Provides a cable retention and low smoke fume, zero halogen seal onto the cables outer sheath
- Copper-free aluminum construction for harsh, corrosive and hazardous areas

- Patent pending combination union elbow that allows proper 360° alignment where space is limited
- Compact 45° & 90° bends for optimized wiring configurations
- Armor is terminated prior to bend allowing for minimal bending radius
- Backnut is anodized RED to indicate HAZARDOUS area product

#### Materials:

- Body: Copper-free aluminum (less than 4/10 of 1%)
- Backnut Seal: Thermoplastic elastomer (silicone)
- Backnut Clamp: Nylon
- Inner and Outer O-rings: Nitrile

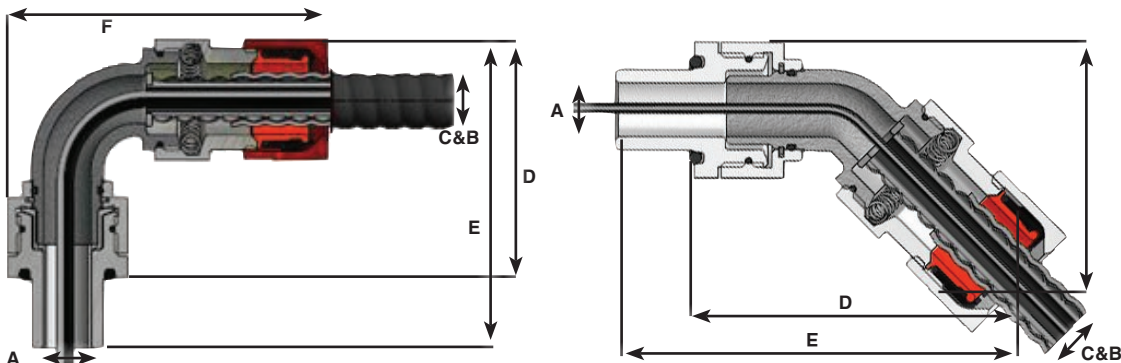
#### Operating Temperature:

- -50°C to +60°C



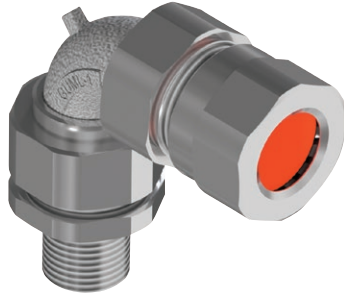
SUITABLE ARMORED/METAL CLAD CABLE TYPES	
AC-	AC90, ACWU90, AC90-HL, ACWU90-HL, ACG90, ACGWU90
MC-	MCC, MCI, MCI-A, MC-HL
RA-	RA90, RA90-HL
TECK-	TECK90, TECK90-HL

CATALOG #	ENTRY THREAD SIZE (NPT)	BEND	CABLE ACCEPTANCE DETAILS						MAX LENGTH 'D'	MAX LENGTH 'E'	MAX LENGTH 'F'
			MAX NUMBER OF CORES	THROUGH DIAMETER 'A'	ARMOR DIAMETER 'B'		DIAMETER 'C'				
					MIN.	MAX.	MIN.	MAX.			
MCX14C	1/2"	45°	10	.48" (12.2)	.52" (13.2)	.74" (18.8)	.60" (15.2)	.82" (20.8)	3.25" (82.6)	4.35" (110.5)	2.05" (52)
MCX24	3/4"	45°	21	.71" (18)	.65" (16.5)	.95" (24.1)	.73" (18.5)	1.03" (26.2)	3.43" (87.1)	4.55" (115.6)	2.19" (55.6)
MCX19C	1/2"	90°	10	.48" (12.2)	.52" (13.2)	.74" (18.8)	.60" (15.2)	.82" (20.8)	2.51" (63.8)	3.62" (91.9)	3.51" (89.2)
MCX29	3/4"	90°	21	.71" (18)	.65" (16.5)	.95" (24.1)	.73" (18.5)	1.03" (26.2)	2.61" (66.3)	3.73" (94.7)	3.60" (91.4)





### ALUMINUM CABLE CONNECTORS



Class II, Div. 1, Groups E, F, G  
 Class III,  
 Zone 20, IP66,  
 Types 3, 4X  
 Suitable for use in hazardous location  
 application when installed according to  
 NEC Articles 501.10



#### FEATURES-SPECIFICATIONS

##### Applications:

Designed for use with jacketed interlock, continuously corrugated and welded armor cable. Rated for indoor and outdoor use and allows for a 45 and 90 degree bend where space is limited.

##### Features:

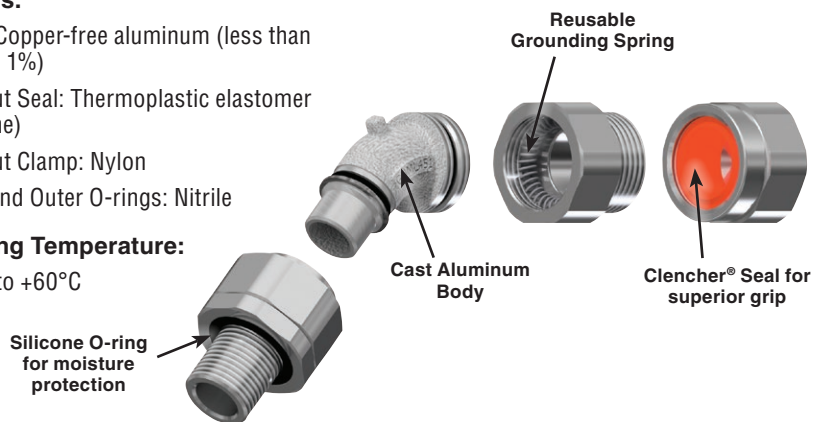
- 360° armor grounding spring is reusable
- Provides sealing backnut plus inner O-ring seal to prevent moisture ingress to the cable armor and enclosure
- Copper-free aluminum construction for harsh, corrosive and hazardous duty
- Patent pending combination union elbow that allows proper 360° alignment where space is limited
- Compact 45° & 90° bends for optimized wiring configurations
- Armor is terminated prior to bend allowing for minimal bending radius

##### Materials:

- Body: Copper-free aluminum (less than 4/10 of 1%)
- Backnut Seal: Thermoplastic elastomer (silicone)
- Backnut Clamp: Nylon
- Inner and Outer O-rings: Nitrile

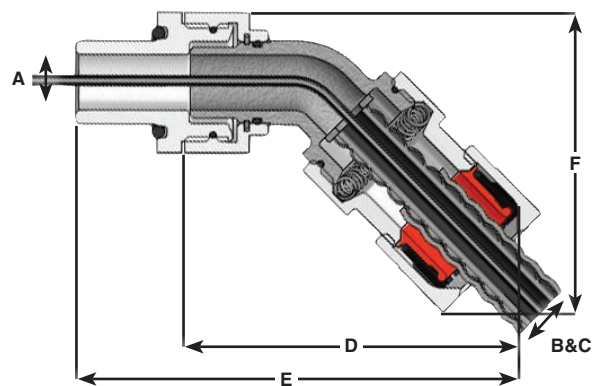
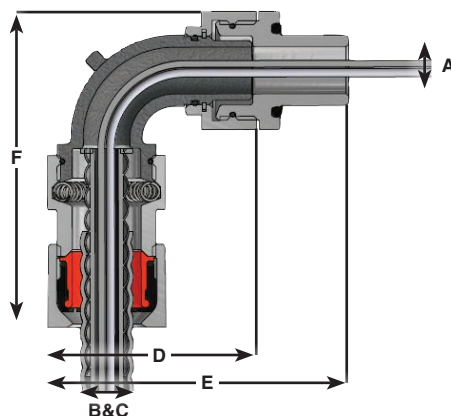
##### Operating Temperature:

- -50°C to +60°C



SUITABLE ARMORED/METAL CLAD CABLE TYPES	
AC-	AC90, ACWU90, AC90-HL, ACWU90-HL, ACG90, ACGWU90
MC-	MCC, MCI, MCI-A, MC-HL
RA-	RA90, RA90-HL
TECK-	TECK90, TECK90-HL

CATALOG NUMBER	ENTRY THREAD SIZE (NPT)	BEND	CABLE ACCEPTANCE DETAILS							MAX LENGTH 'D'	MAX LENGTH 'E'	MAX LENGTH 'F'
			MAX NUMBER OF CORES	THROUGH DIAMETER 'A'	ARMOR DIAMETER 'B'		DIAMETER 'C'					
					MIN.	MAX.	MIN.	MAX.				
MC14C	1/2"	45°	10	.48" (12.2)	.52" (13.2)	.74" (18.8)	.60" (15.2)	.82" (20.8)	3.25" (82.6)	4.35" (110.5)	2.05" (52)	
MC24C	3/4"	45°	21	.71" (18)	.65" (16.5)	.95" (24.1)	.73" (18.5)	1.03" (26.2)	3.43" (87.1)	4.55" (115.6)	2.19" (55.6)	
MC19C	1/2"	90°	10	.48" (12.2)	.52" (13.2)	.74" (18.8)	.60" (15.2)	.82" (20.8)	2.51" (63.8)	3.62" (91.9)	3.51" (89.2)	
MC29	3/4"	90°	21	.71" (18)	.65" (16.5)	.95" (24.1)	.73" (18.5)	1.03" (26.2)	2.61" (66.3)	3.73" (94.7)	3.60" (91.4)	











# Hubbell Harsh & Hazardous Contact Details

## United States

### **Killark**

3940 Dr. Martin Luther King Dr.  
St. Louis, Missouri 63113  
Tel: (314) 531-0460 • Fax: (314) 531-7164  
www.hubbell-killark.com  
Email: killarkinfo@hubbell.com

### **RigPower (Hawke International)**

4140 World Houston Parkway, Suite 130  
Houston, TX 77032  
Tel: (281) 445-7400 • Fax: (281) 445-7404  
Email: rigpowerinfo@hubbell.com

### **Vantage Technology**

4140 World Houston Parkway, Suite 130  
Houston, TX 77032  
Tel: (281) 445-7400 • Fax: (281) 445-7404  
Email: xpsales@vantageexp.com

## Canada

### **Hubbell Canada LP**

870 Brock Road South  
Pickering, Ontario  
Canada L1W 1Z8  
Tel: (905) 839-1139 • Fax: (905) 839-9108  
Email: infohclp@hubbell-canada.com

## Mexico

### **Hubbell Products Mexico**

Calle 5 Sur No. 105 Col. Parque  
Ind. Toluca 2000  
Toluca Edo. Mex. CP 50200  
Tel: (01 52) 559-151-9999 • Fax: (01 52) 559-151-9988/89  
www.hubbell.com.mx  
Email: info@hubbell.com.mx

## United Kingdom

### **Hubbell Products**

Brunel Drive  
Stretton Park Burton on Trent  
Straffordshire DE13 0BZ UK  
Tel: +44 (0) 1283 500500 • Fax: +44 (0) 1283 500400  
Email: Sales@hubbell.co.uk

### **Victor Lighting**

PO Box 5571  
Glasgow G52 9AH Scotland  
Tel: +44 (0) 141 810 9644 • Fax: +44 (0) 141 810 9642  
www.victor-lighting.com

### **Chalmit Lighting**

PO Box 5575  
Glasgow G52 9AP Scotland  
Tel: +44 (0) 141 882 5555 • Fax: +44 (0) 141 883 3704  
www.chalmit.com

## Middle East

Office #432, Bldg #6EB  
Dubai Airport Free Zone (DAFZ) • PO Box 23529 Dubai UAE  
Tel: +971 (0) 4 609 1222 • Email: killarkinfo@hubbell.com

## Asia Pacific

130 Joo Seng Road, #03-02, Olivine Building  
Singapore 368357  
Tel: 00 65 6282 2242 • Fax: 00 65 6284 4244  
Email: killarkinfo@hubbell.com

## Korea

512 Hyosung Intellian 681-3 Deungchon Dong  
Kangseo-Ku Seoul 157-030 Korea  
Tel: +82 2 2063 3719 • Fax: +82 2 2603 7386  
Email: killarkinfo@hubbell.com

## China

Room H/I 18F No. 728 Pudong Avenue  
Shanghai International Ocean and Finance Building  
Shanghai 20120 P.R. China  
Tel: (86 21) 3392 6550 ext. 318 • Fax (86 21) 3392 6551  
Email: killarkinfo@hubbell.com



**KILLARK**<sup>®</sup>

3940 Dr. Martin Luther King Drive  
St. Louis, MO 63113  
TEL: (314) 531-0460 FAX: (314) 531-7164  
[www.hubbell-killark.com](http://www.hubbell-killark.com) • [killarkinfo@hubbell.com](mailto:killarkinfo@hubbell.com)

**Hubbell Canada LP**  
870 Brock Road South  
Pickering, Ontario L1W 1Z8  
(905) 839-1138  
[infohclp@hubbell-canada.com](mailto:infohclp@hubbell-canada.com)

**Hubbell Products Mexico**  
Calle 5 Sur No. 105 Col. Parque  
Ind. Toluca 2000  
Toluca Edo. Mex. CP 50200  
Tel: (01 52) 559-151-9999  
[info@hubbell.com.mx](mailto:info@hubbell.com.mx)

**Hubbell<sup>®</sup> Construction and Energy**

A Division of Hubbell, Inc.  
HKMC-FLOOD 01-18 © Killark, 2018