

June 20, 2011

To: Ampt

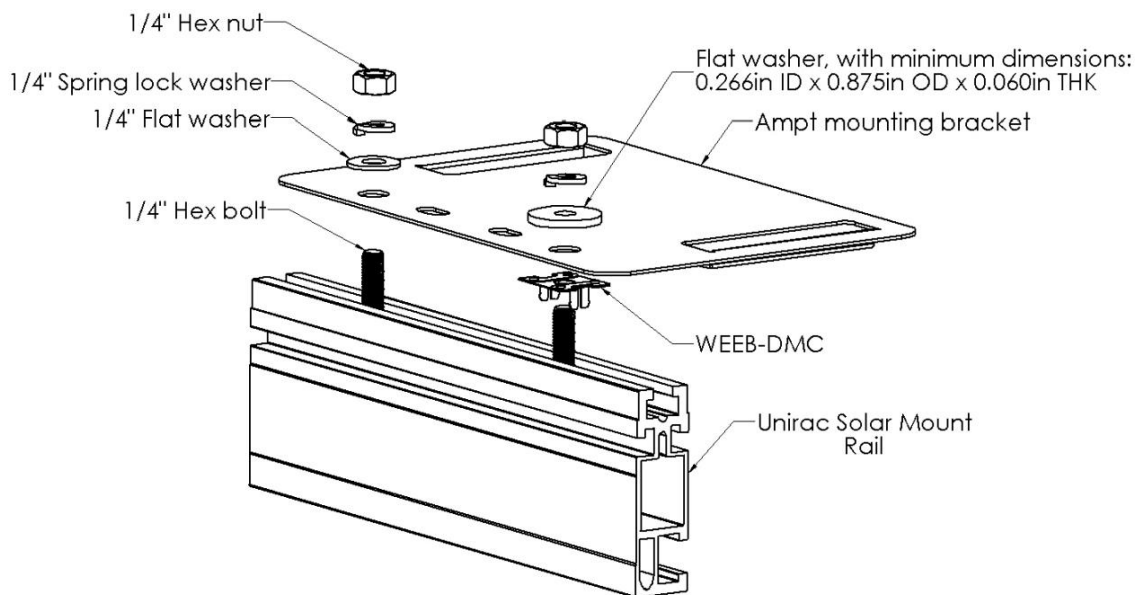
Re: Grounding recommendations for the Ampt mounting bracket part #21000000-1 and the Unirac Solarmount PV mounting system.

From: BURNDY LLC

BURNDY LLC recommends the following grounding procedures for the Ampt mounting bracket and the Unirac Solarmount rails.

The WEEB-DMC must be used to bond the Ampt mounting bracket to the Unirac Solarmount rails. Each bolt/nut combination that installs a WEEB-DMC must be tightened to at least 10 ft-lbs / 13.5 N-m of torque. 1/4" hardware must be used along with a large flat washer and installed according to the figure pictured below.

All bolts that install any grounding or bonding hardware must have general purpose anti-seize applied to their threads prior to installation.



Sincerely,

Thomas Olenick  
Product Engineer, Wiley Products  
BURNDY LLC  
[tolenick@burndy.com](mailto:tolenick@burndy.com)

BURNDY LLC  
47 E. Industrial Park Drive  
Manchester, NH 03109  
P: 800.346.4175 F: 800.346.9826  
International: 603.647.5299 Main: 603.647.5000  
[www.burndy.com](http://www.burndy.com)