

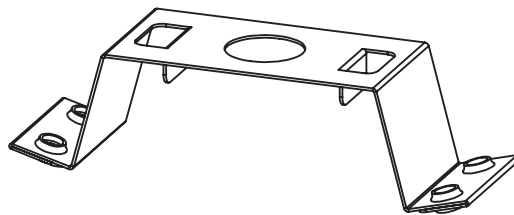


WEEB

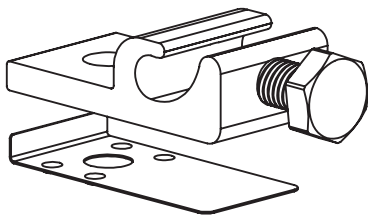
INSTALLATION INSTRUCTIONS

For Unirac ClickSys Rail only

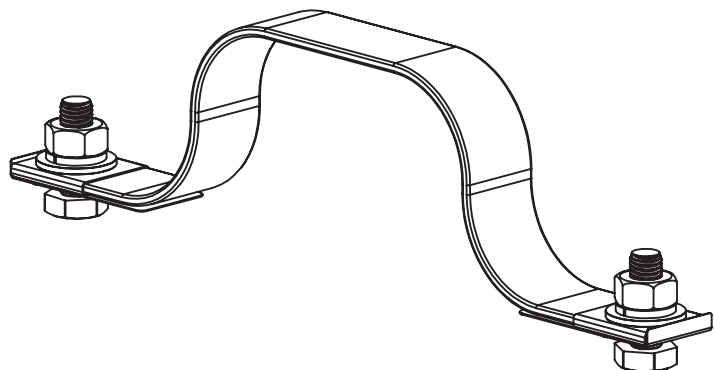
Please read carefully before installing.



WEEB-UGC2



WEEBLug-6.7



WEEB Bonding Jumper-6.7



Products are tested to UL 467
UL standard for safety grounding and bonding equipment

3098177

Document Number 104-0404-000032-001

© 2012 BURNDY LLC.

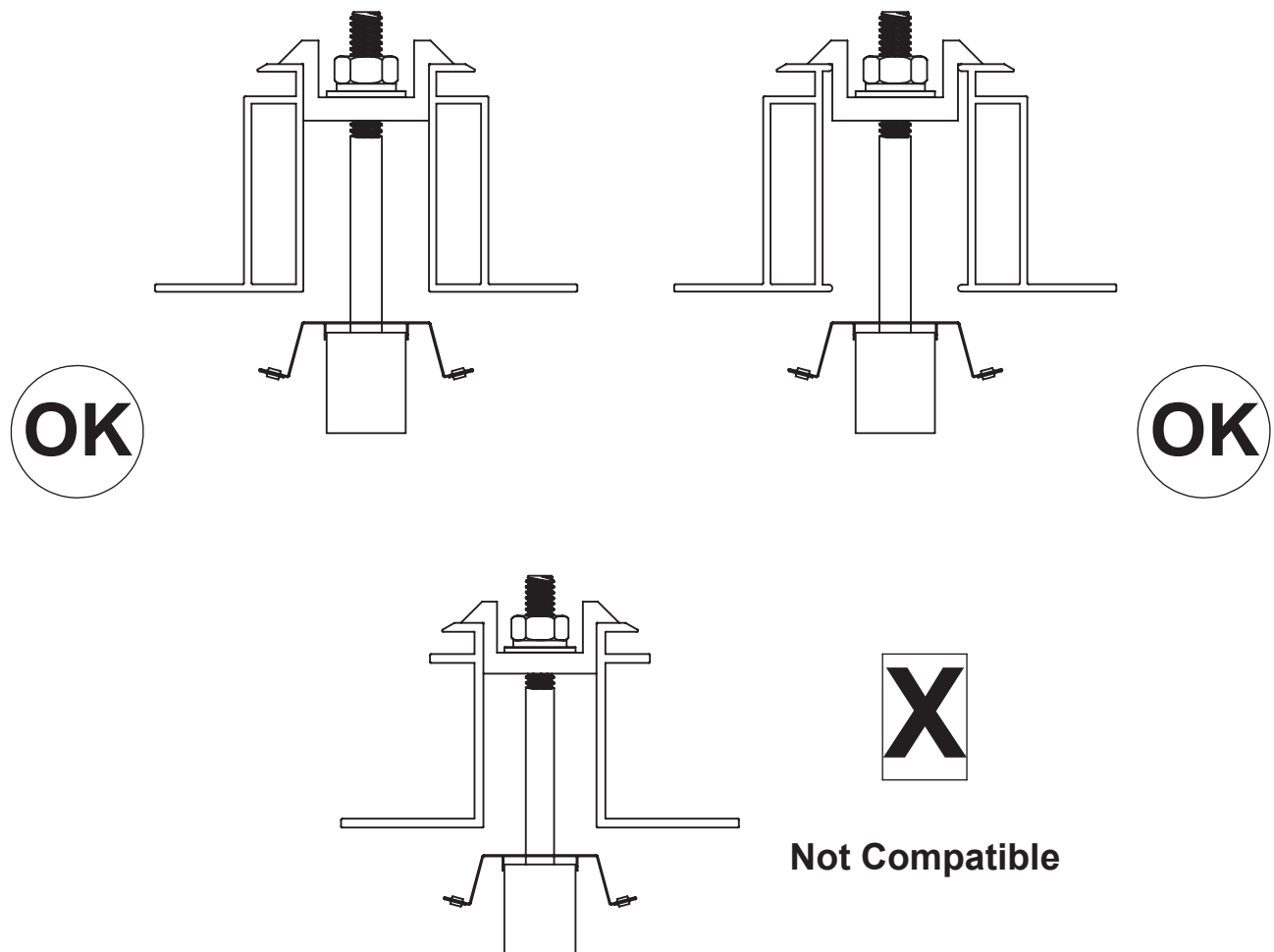


WEEB COMPATIBILITY

The WEEB family of products can be used to bond anodized aluminum, galvanized steel, steel and other electrically conductive metal structures.

Standard Top Down Clamps

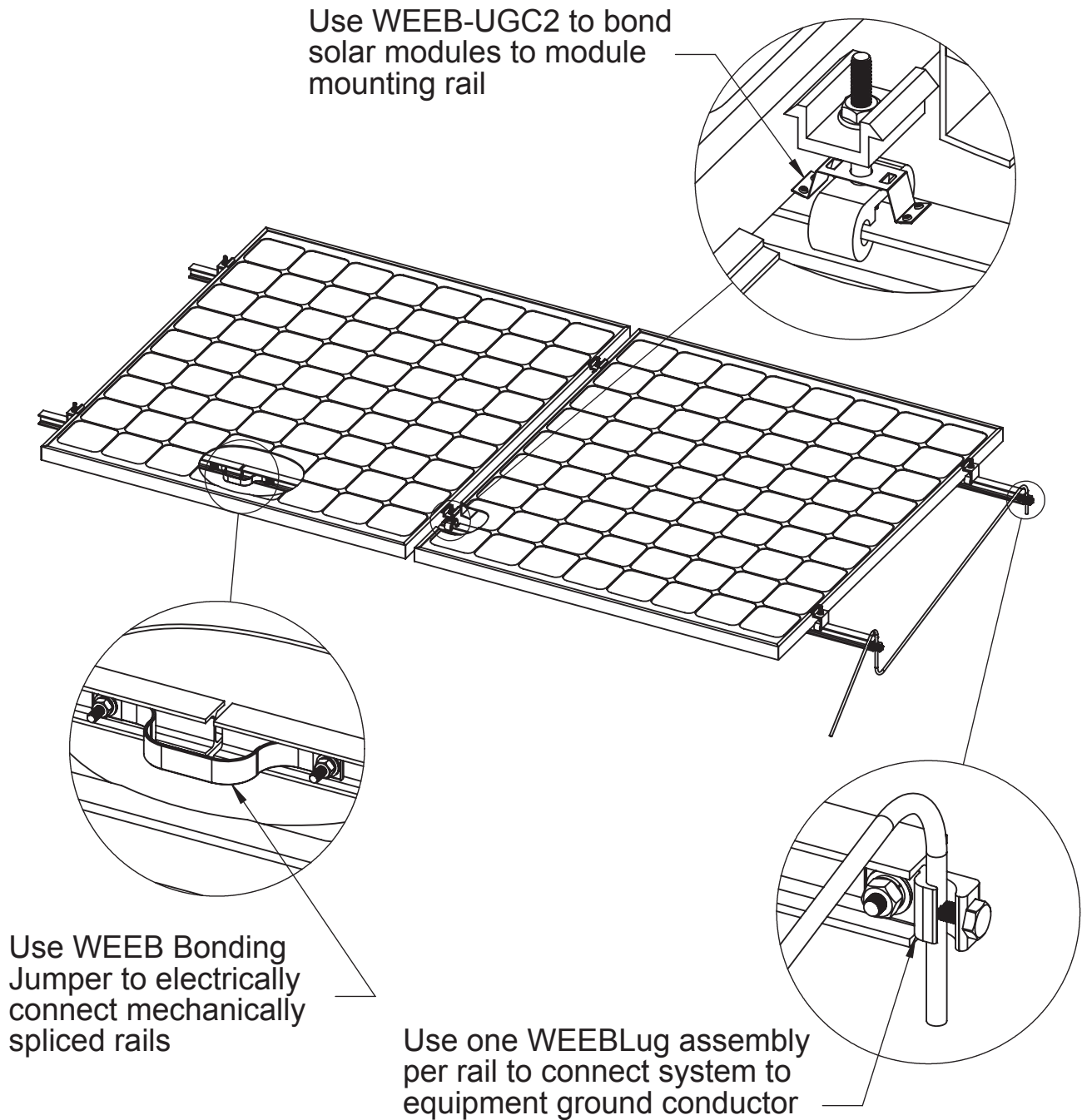
The WEEBs used for bonding the PV modules to the mounting rails are compatible with various cross-sections of module frames. The following are examples of module frames that are compatible. Notice that the WEEB teeth are positioned completely under the edge of the module frame. The WEEB-UGC2 is only compatible with module frames that have a reinforcing box structure, as illustrated below.



Important note:

The WEEB-UGC2 is not compatible with lipped modules and inverted U-shaped clamps. The WEEB teeth must be positioned entirely under the edge of the module.

SYSTEM OVERVIEW



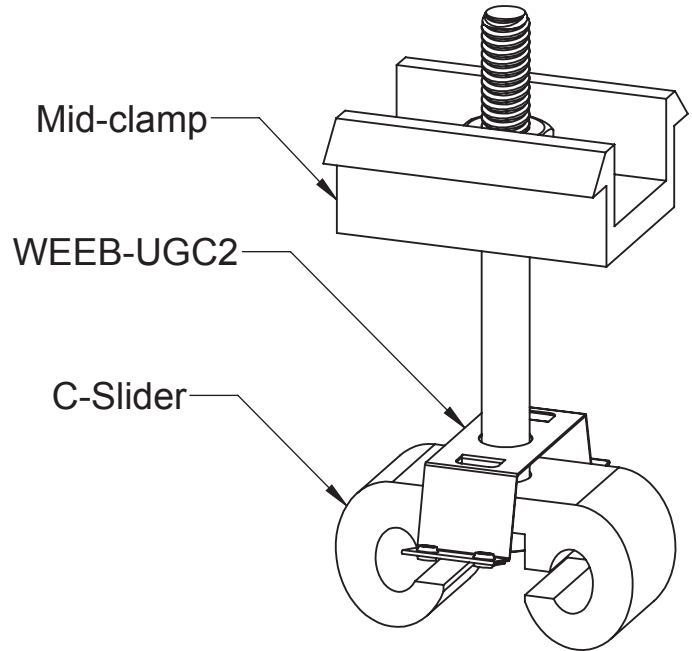
Important notes:

1. Use general purpose anti-seize compound on fastener threads when installing WEEBs.
2. WEEBs are intended for **SINGLE USE ONLY**. Functionality will not be guaranteed if reused.

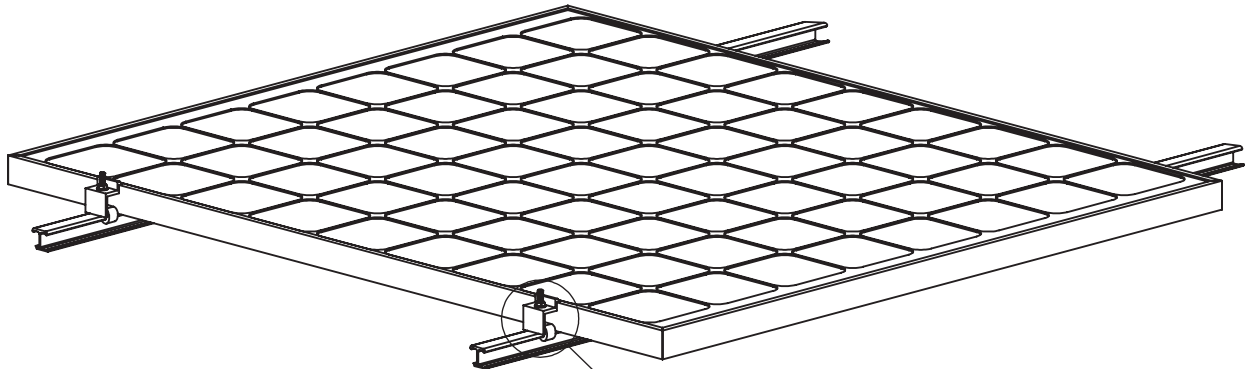
WEEB-UGC2 ASSEMBLY

①

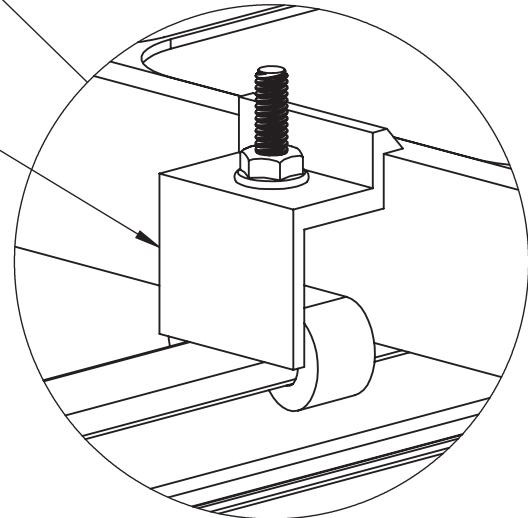
Pre-assemble WEEB-UGC2 to mid-clamp assembly as shown. Pre-assembling WEEB-UGC2 to mid-clamp assembly will contain the small individual parts, reducing the possibility of losing parts during installation.



②

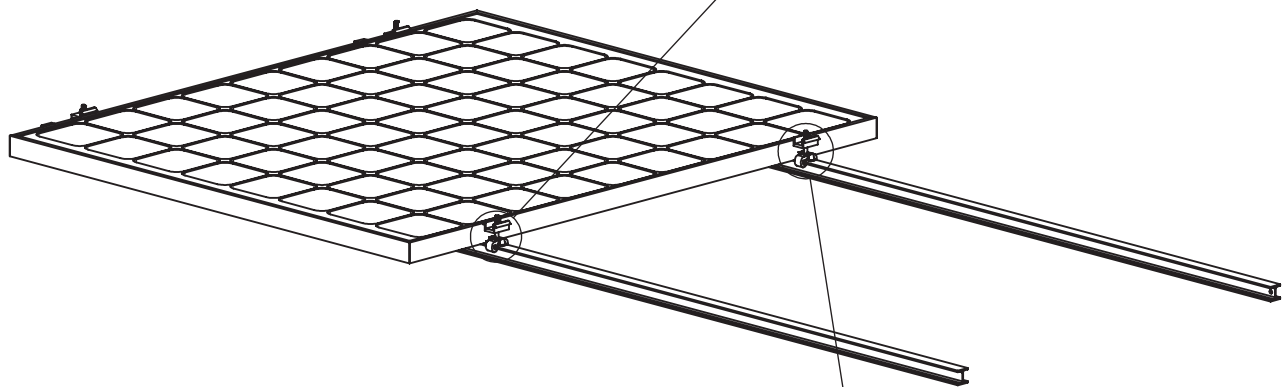
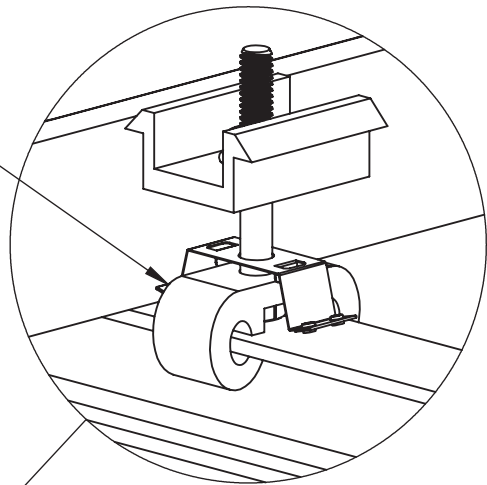


Assemble end clamp to manufacturer's specification

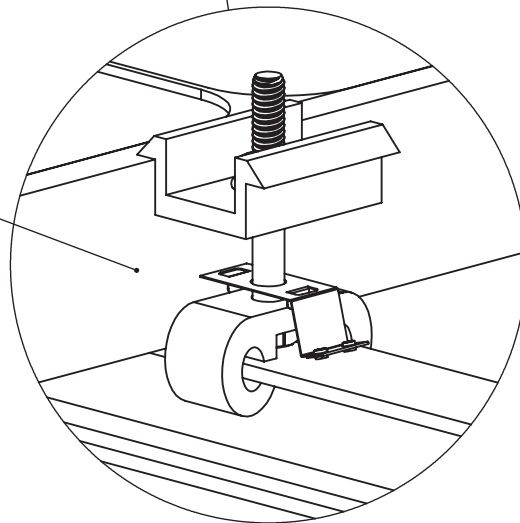


3

Slide pre-assembled WEEB-UGC2 and mid-clamp assembly into position



Slightly lift solar module and slide WEEB-UGC2 and mid-clamp assembly into position. WEEB-UGC2 will flex and allow for adjustment of module. WEEB teeth will automatically be aligned under the edge of the module when the mid-clamp assembly is correctly installed.



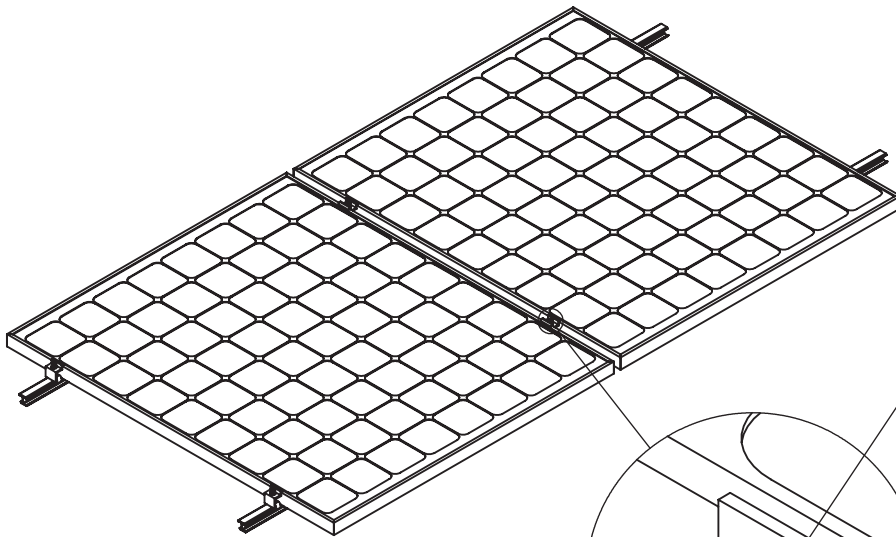
Important note:

To correctly install mid-clamp assembly, ensure that both sides of the solar modules are completely positioned against the mid clamp. Refer to WEEB compatibility page for illustrations.

④

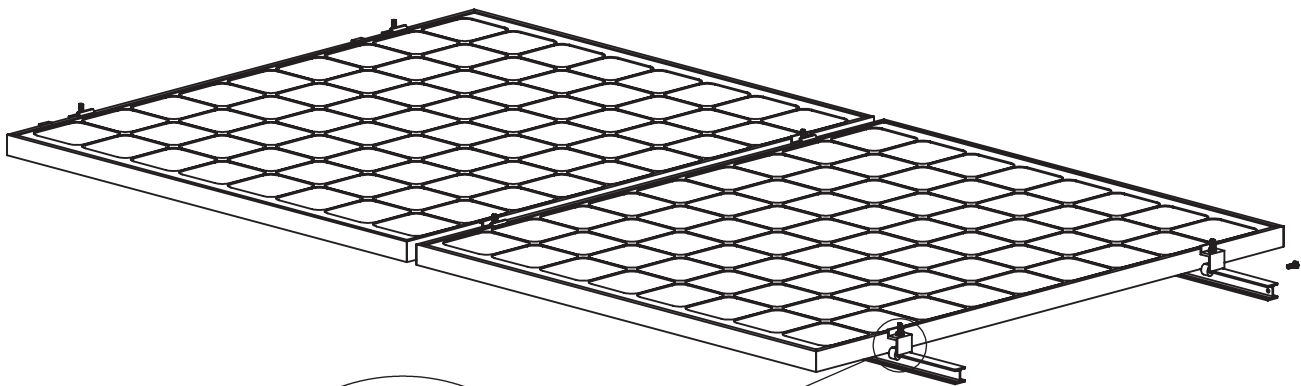
Important note:

WEEBs are for **SINGLE USE ONLY!** Do not torque fasteners down if position of solar modules is not finalized. Only slightly tighten fasteners to keep modules in place.



When position of solar modules are finalized, torque fasteners to 10 ft-lb / 13.5 N-m using general purpose anti-seize compound on threads

⑤

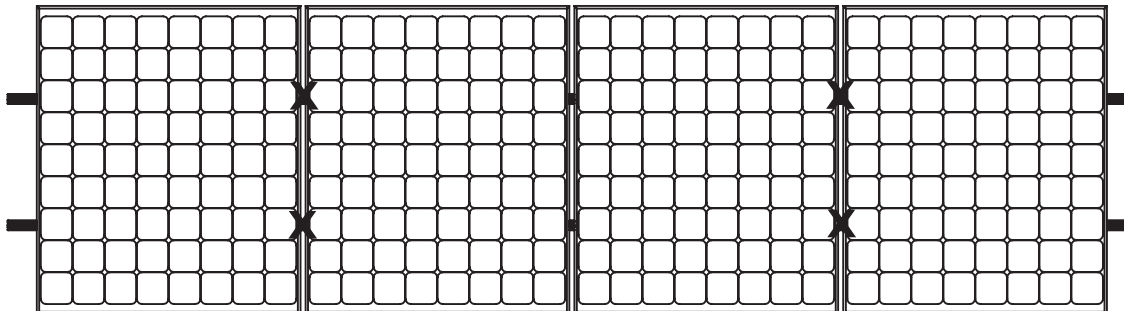


Assemble end clamp to manufacturer's specification

WEEB-UGC2 LAYOUT

6

EVEN NUMBER OF MODULES IN ROW

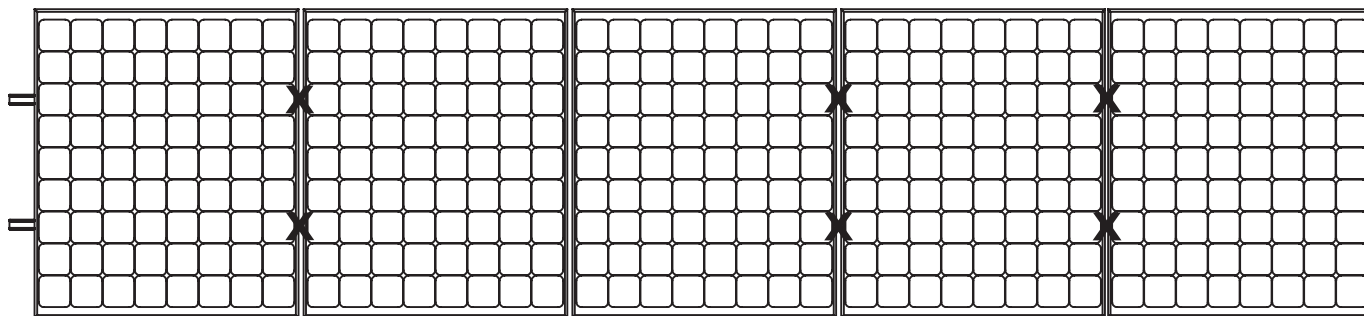


X DENOTES PLACES TO INSTALL WEEB-UGC2

$$C \times R = 4 \times 1$$

$$\text{WEEB-UMC NEEDED} = C \times R = 4 \times 1 = 4$$

ODD NUMBER OF MODULES IN ROW



X DENOTES PLACES TO INSTALL WEEB-UGC2

$$C \times R = 5 \times 1$$

$$\text{WEEB-UMC NEEDED} = [C+1] \times R = [5+1] \times 1 = 6$$

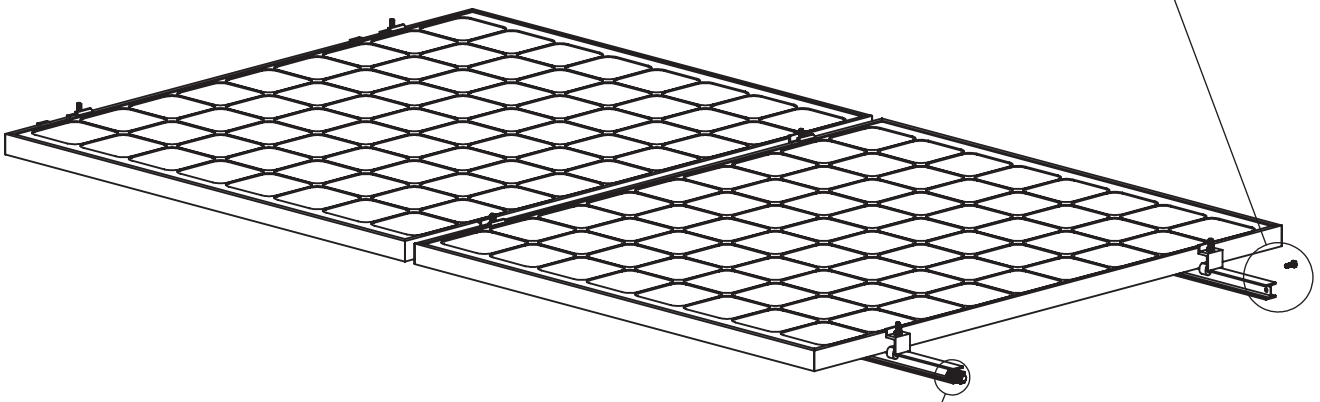
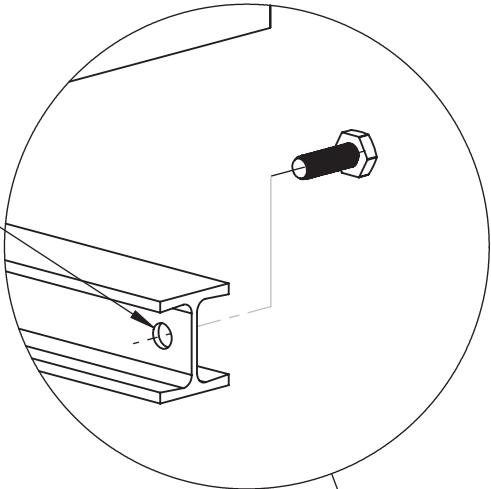
Note:

When replacing a single faulty module, also remove the adjacent module which contacts the same WEEBs as the faulty module. This will ensure that there are never ungrounded modules in the array.

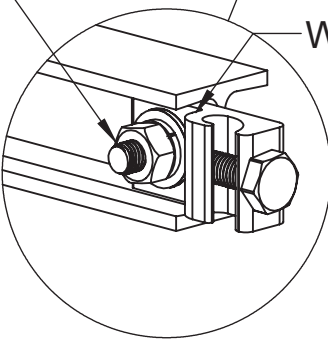
WEEBLUG ASSEMBLY

7

Drill bolt clearance hole
 ϕ 17/64in / 7mm on center
of vertical rail support.



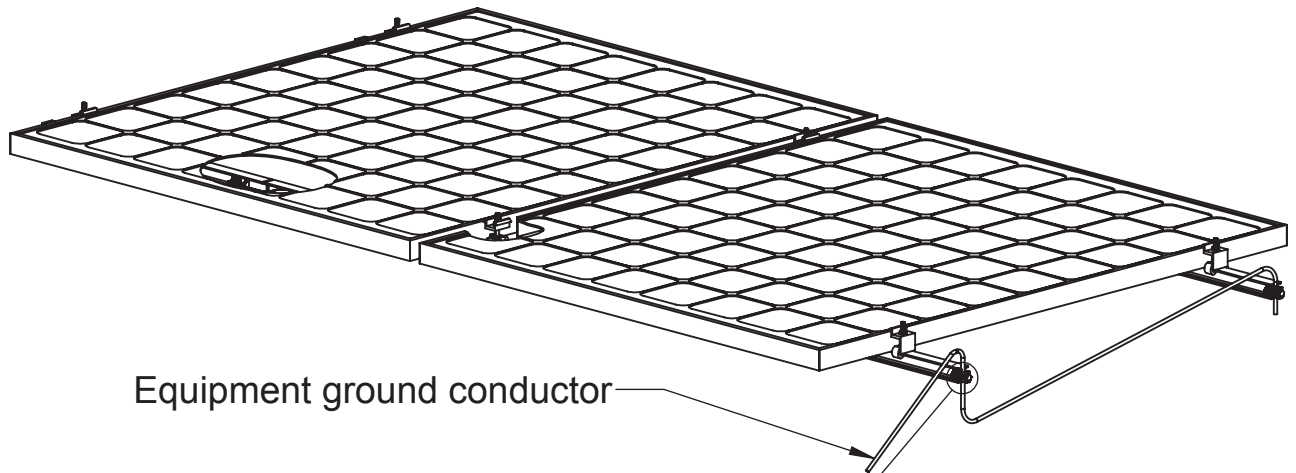
Assemble WEEBLug assembly
and torque fasteners to
10 ft-lb / 13.5 N-m



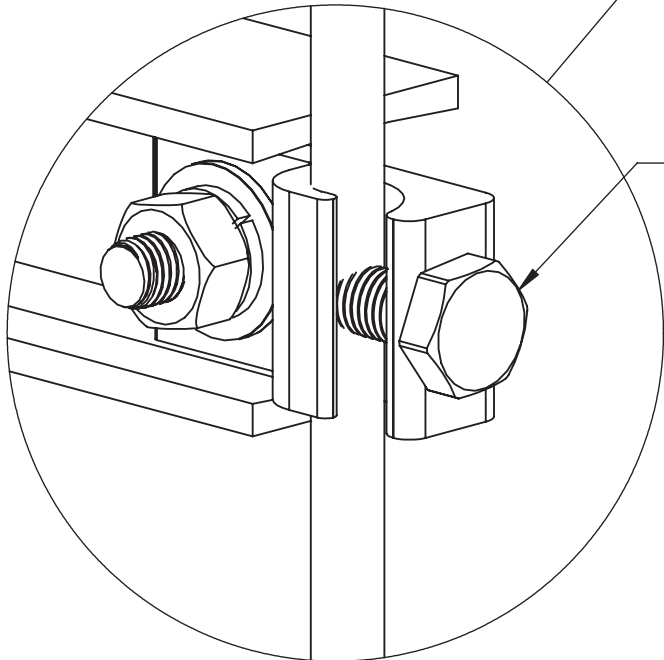
WEEB teeth towards rail

Important note:
WEEB-6.7 that sits under the WEEBLug is for single use only.
Ensure orientation is correct before tightening down.

8



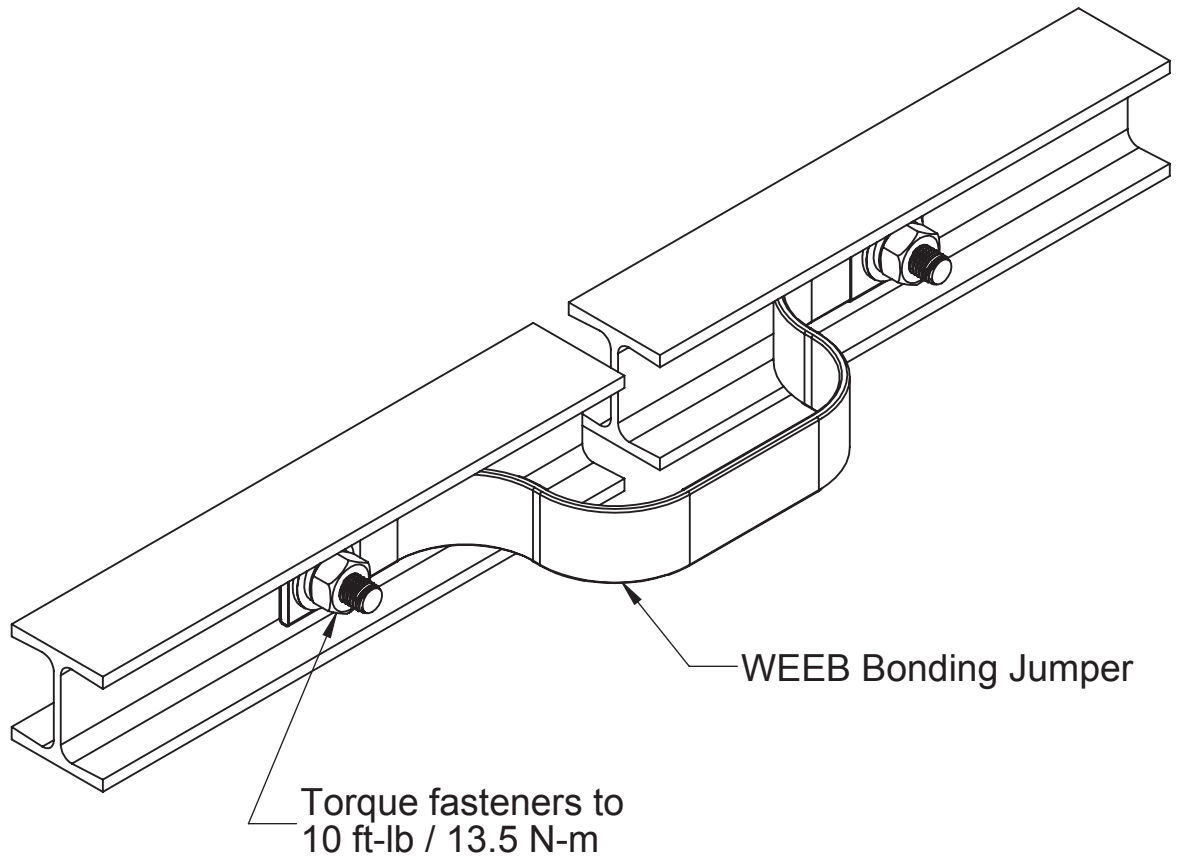
Equipment ground conductor



Lay in equipment ground conductor and torque to 7 ft-lb / 10 N-m

UGC2 SPLICE KIT ASSEMBLY

- ⑨ WEEB Bonding Jumper can be used for all rail splices including expansion joints.



Customer Service Department
7 Aviation Park Drive
Londonderry, NH 03053
1-800-346-4175
1-603-647-5299 (International)