



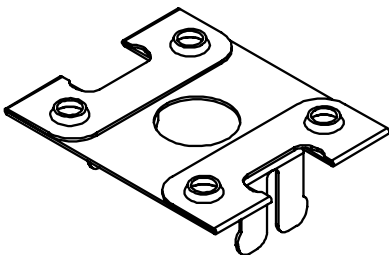
Washer, Electrical Equipment Bond

WEEB® WASHER

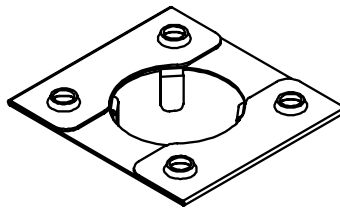
INSTALLATION INSTRUCTIONS

For DP&W Multi-Pole Mounting System Only

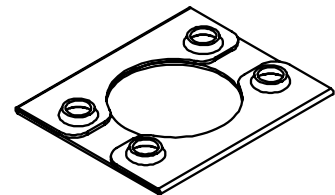
BURNDY recommends that the sufficient details of the installation be submitted to the AHJ for approval before any work is started.



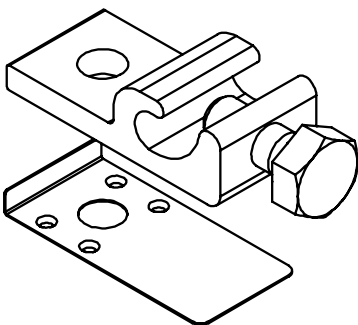
WEEB-DMC



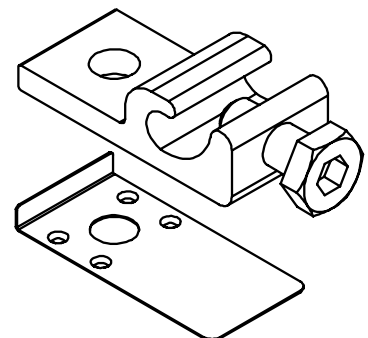
WEEB-11.5



WEEB-9.5NL



WEEB-LUG-6.7



WEEB-LUG-6.7HS



Products are tested to UL 467, CAN/CSA-C22.2 No. 41
US/ Canadian standards for safety grounding and bonding equipment.



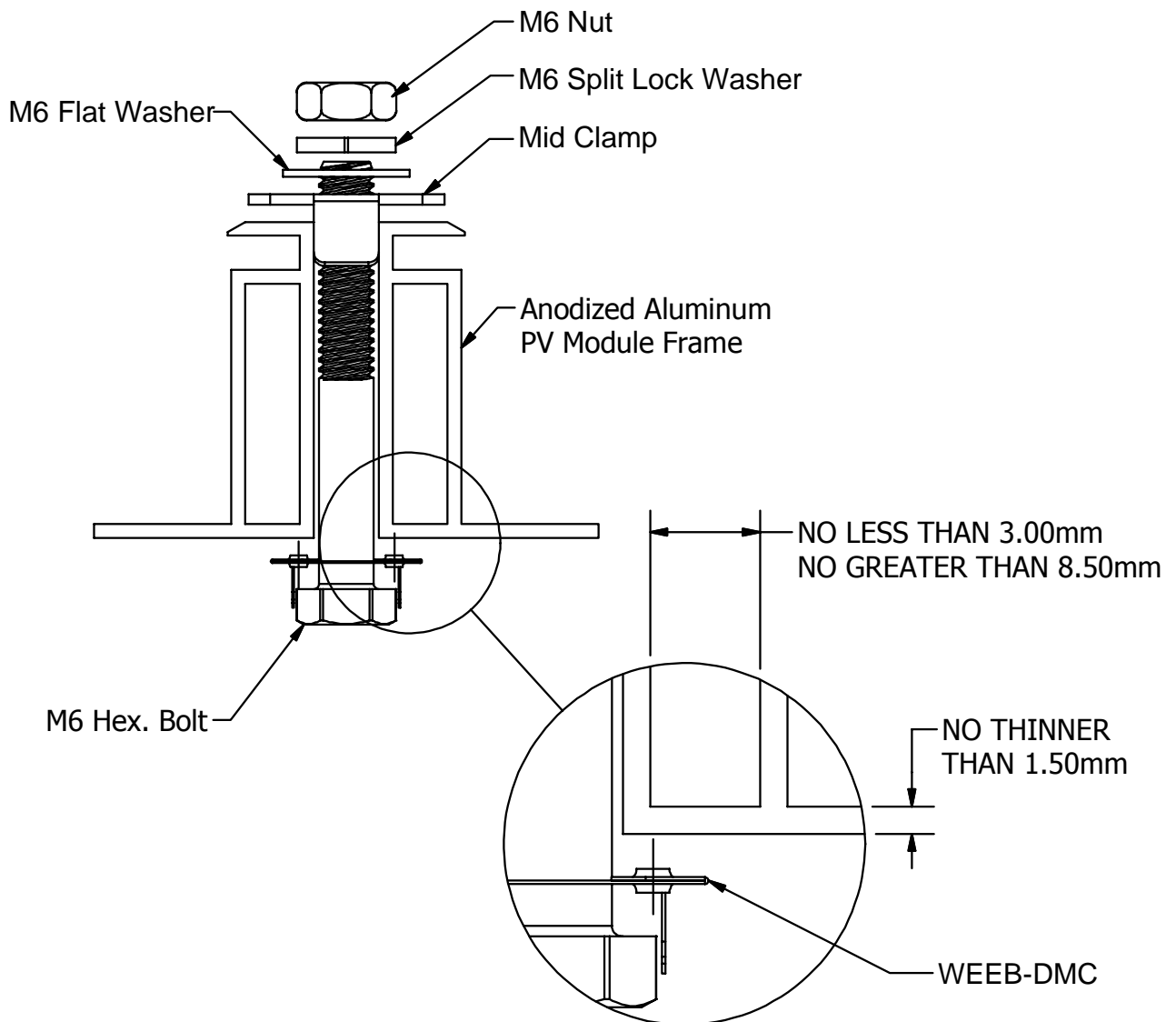
Intertek
4004188



WEEB® WASHER COMPATIBILITY

The WEEB® Washer family of products can be used to bond anodized aluminum, galvanized steel, steel and other electrically conductive metal structures. All installations shall be in accordance with NEC requirements in the USA and with CSA C22.1 in Canada. The WEEB® washers are for use with modules that have a maximum fuse rating of less than 25A.

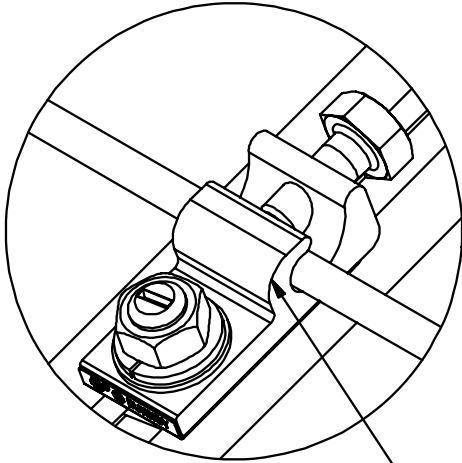
Certain module frames do not have enough structural strength to withstand the force required to embed a WEEB® washer. These frames will deform and therefore not allow sufficient penetration of the WEEB® washer teeth. The general requirements for minimum module frame thickness of "boxed" type module frames are illustrated below. For more information regarding module compatibility, please see the technical documents section of our website.



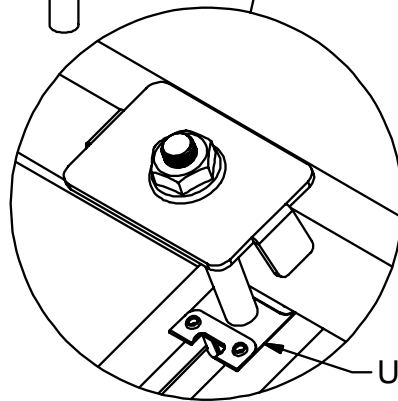
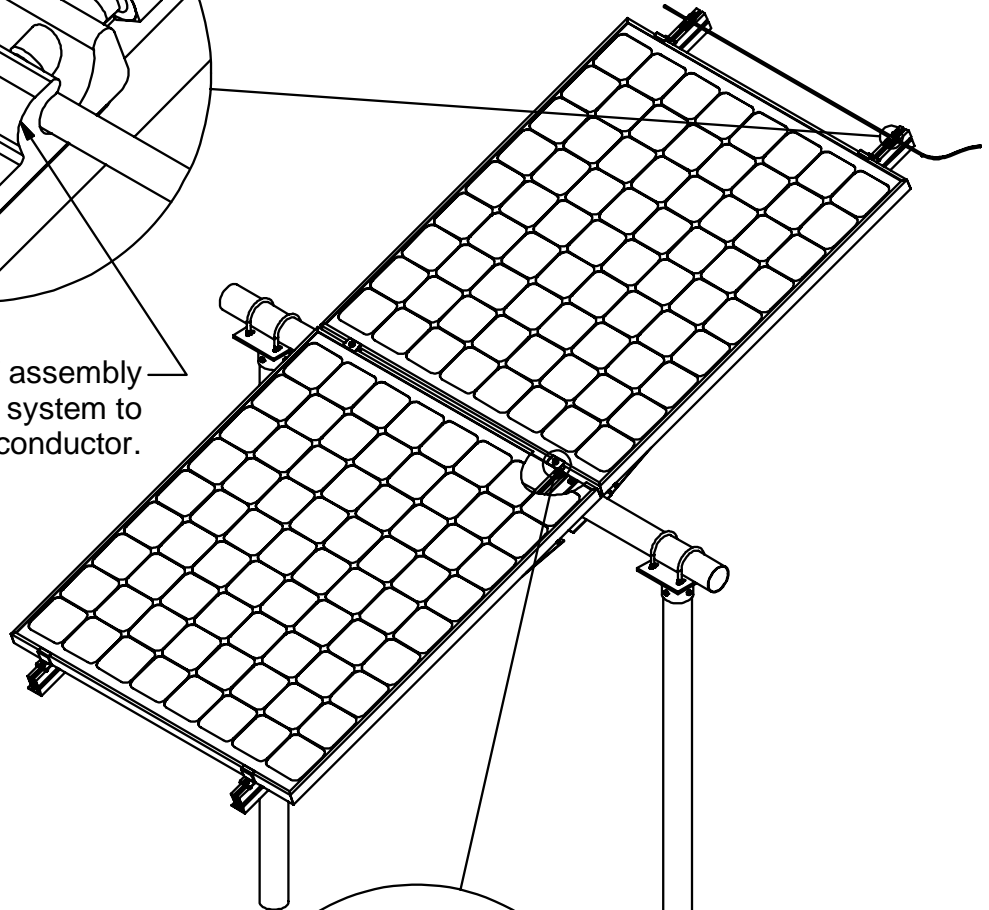
Note:

Inspect each module frame used with a WEEB® device to ensure that the bottom mounting face of the frame is flat, and that there are no hindrances to embedding WEEB® washer teeth. Do not use a module with a frame that prevents the WEEB® washer teeth from embedding fully.

SYSTEM OVERVIEW



Use one WEEB-LUG-6.7 assembly per rail to connect system to equipment ground conductor.



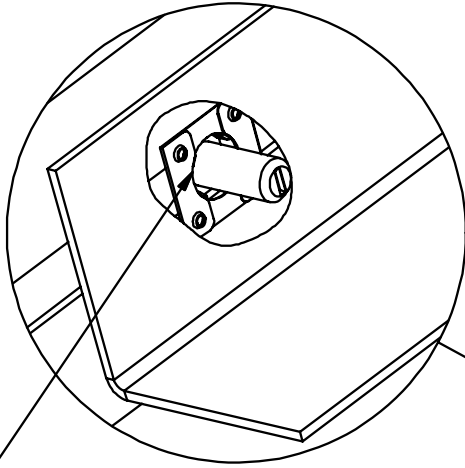
Use WEEB-DMC to bond solar module frames to module mounting rail.

Important notes:

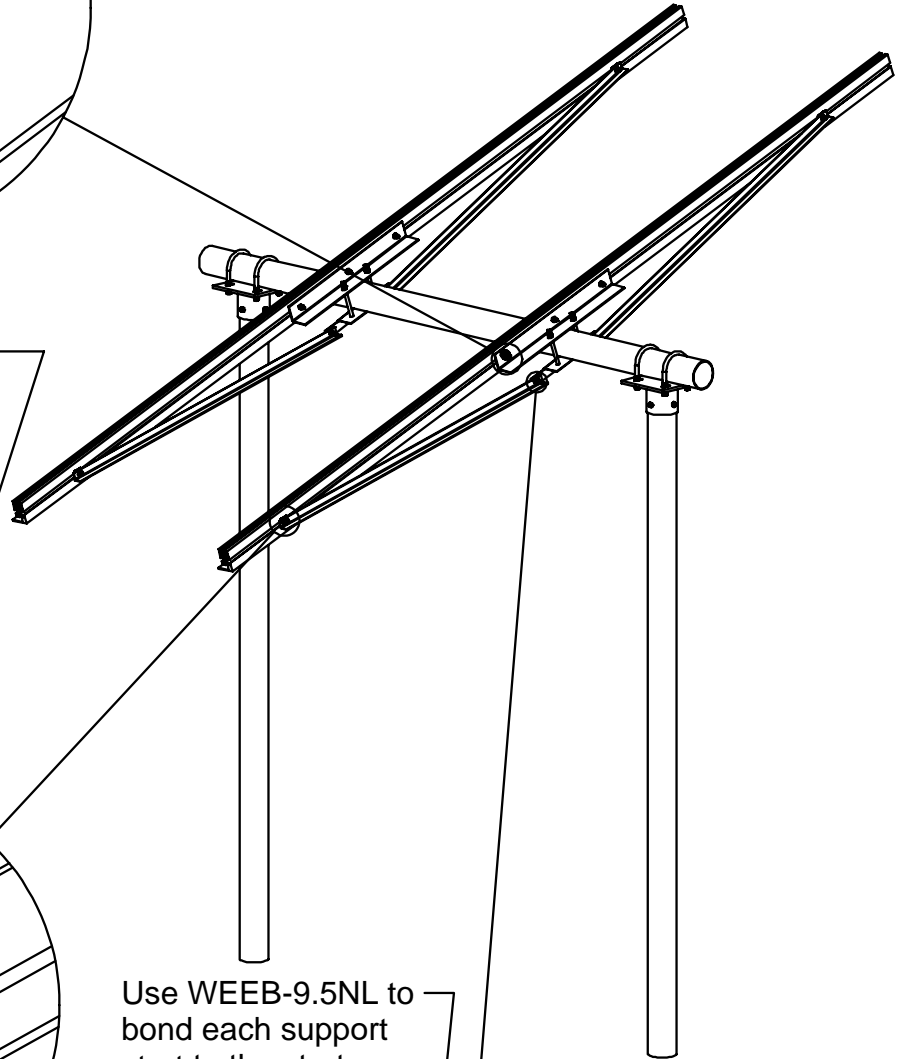
1. Anti-Seize or BURNDY PENETROX™ oxide inhibitor is not required on mounting hardware.
2. Secure PV cables and reliably route cables using Wiley ACC cable clips for proper wire management.
3. The NEC section 690.43 states “Exposed non-current carrying metal parts of module frames, equipment, and conductor enclosures shall be grounded in accordance with 250.134 or 250.136(A) regardless of voltage”.

Assemble Module Rails and Rail Brackets

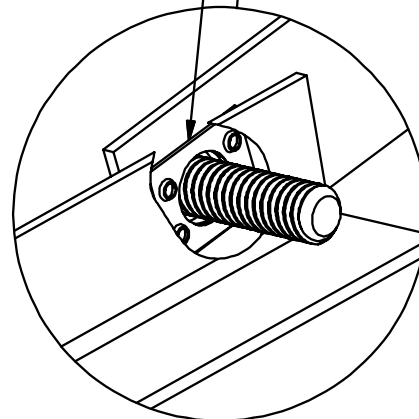
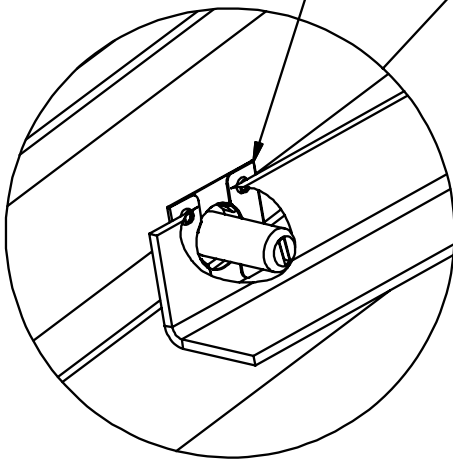
①



Use one WEEB-11.5 to bond each rail bracket to the rail and each support strut to the rail.

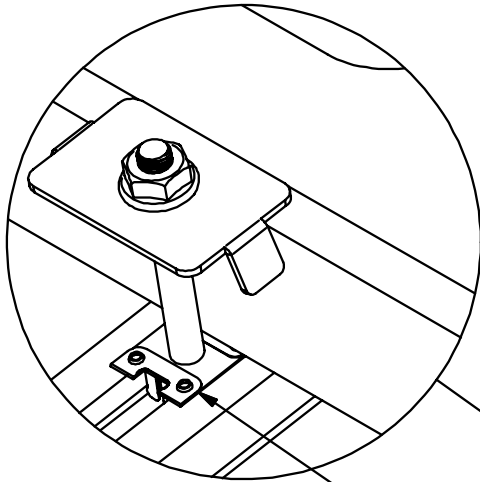


Use WEEB-9.5NL to bond each support strut to the strut bracket.

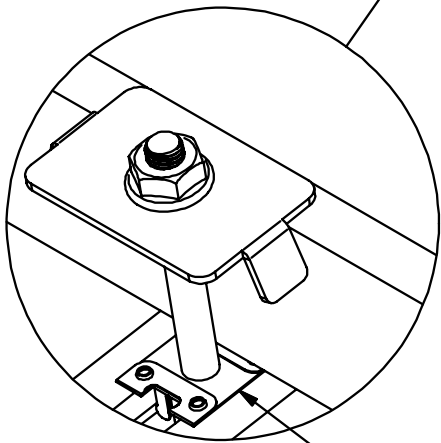
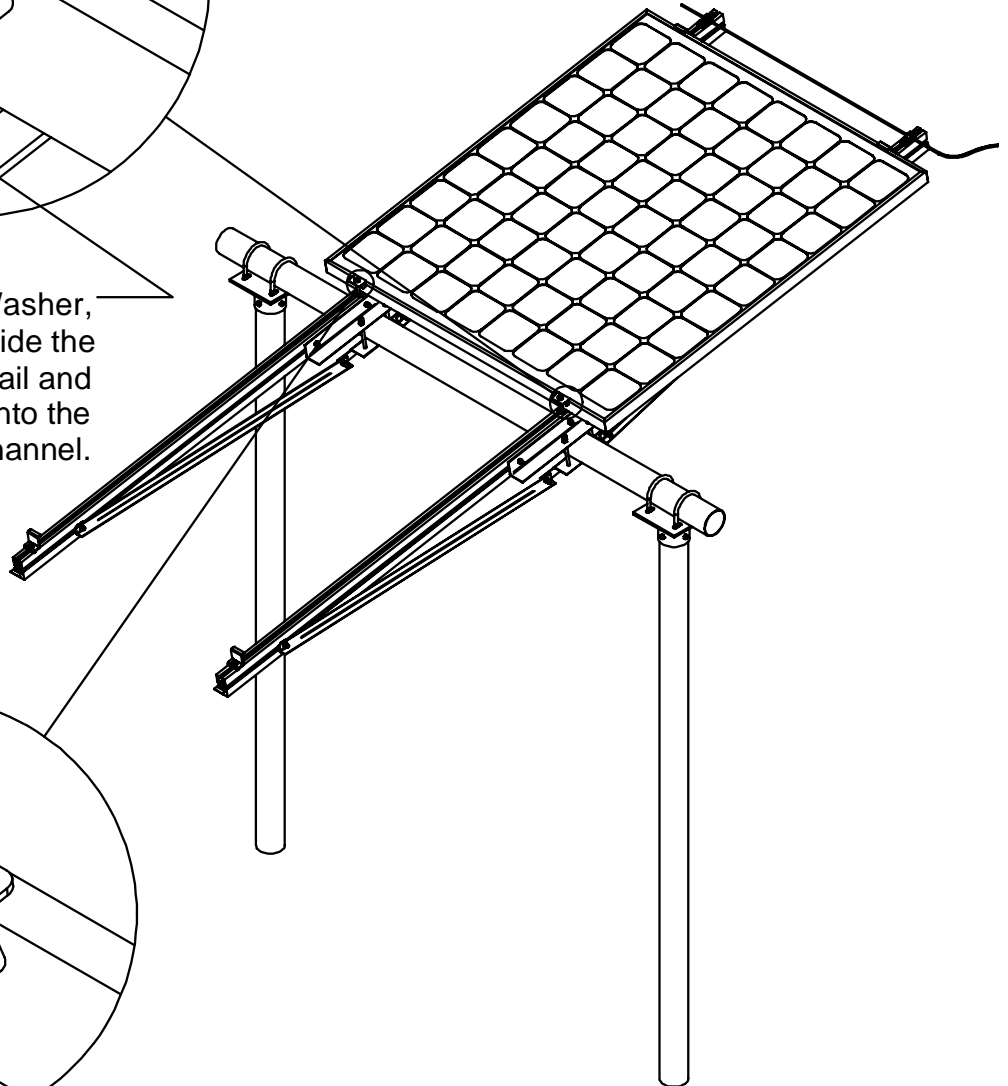


WEEB-DMC ASSEMBLY

②



Assemble WEEB® Washer, bolt, and mid clamp. Slide the assembly into the rail and snap WEEB-DMC into the mounting channel.

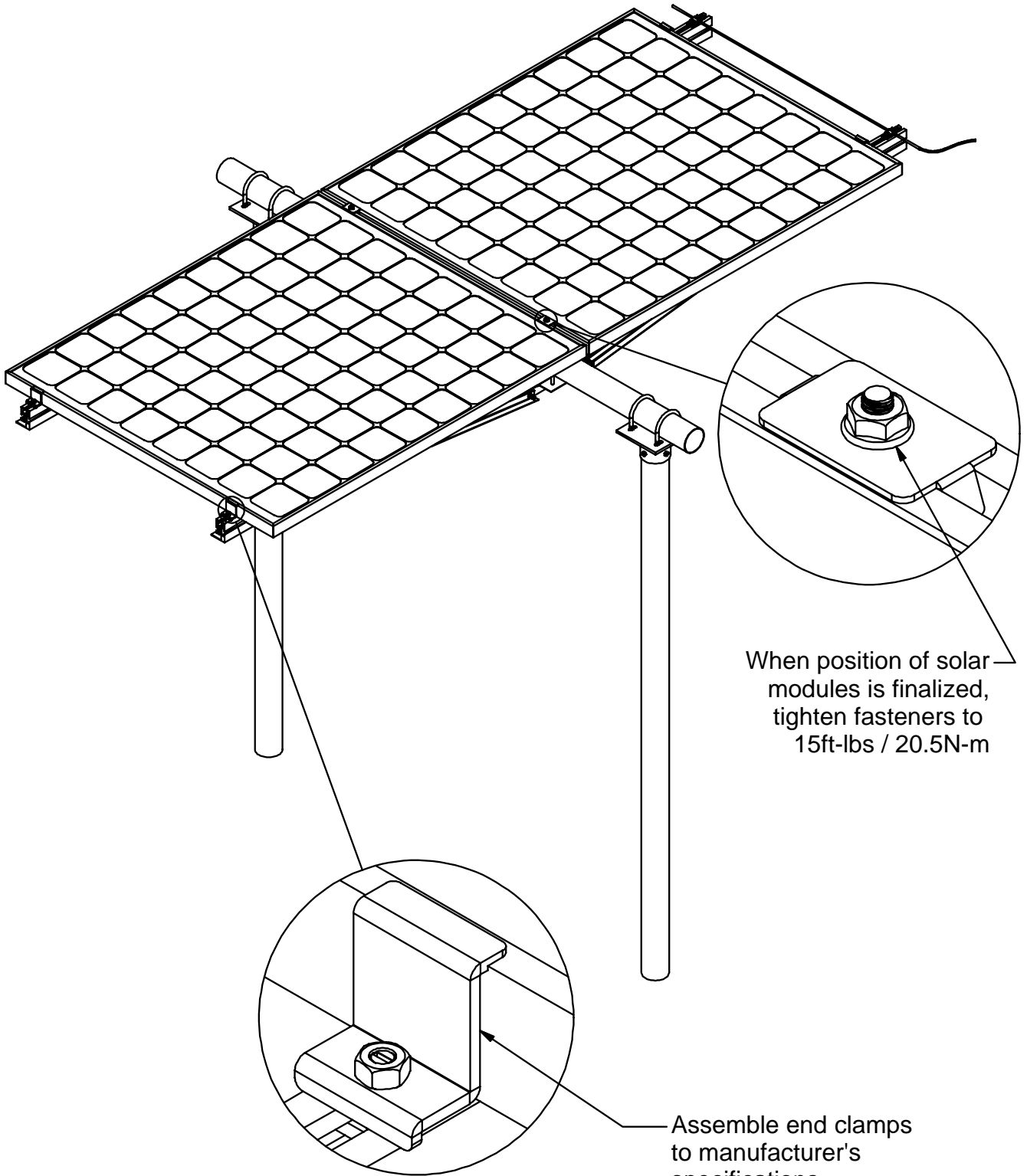


Slightly lift solar module and slide assembly into position. WEEB® washer teeth will automatically be aligned under the edge of the module when the mid clamp assembly is correctly installed.

Important note:

To correctly install WEEB-DMC, ensure that both sides of the solar modules are completely positioned against the mid clamp. Refer to the WEEB® washer compatibility page for illustrations.

③

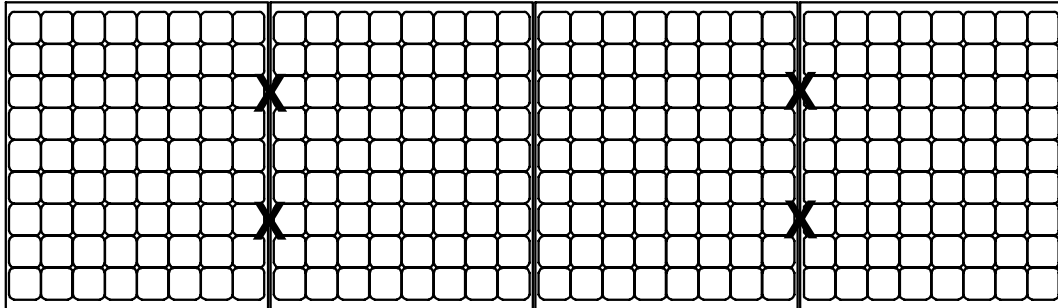


When position of solar modules is finalized, tighten fasteners to 15ft-lbs / 20.5N-m

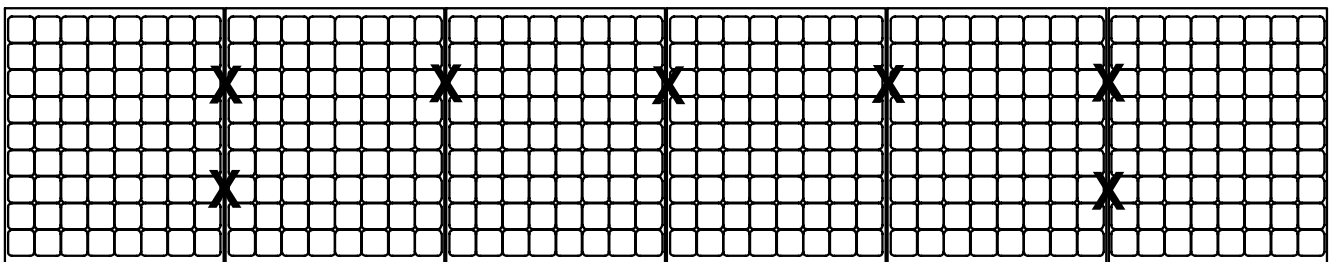
Assemble end clamps to manufacturer's specifications.

WEEB-DMC LAYOUT

EVEN NUMBER OF MODULES IN ROW



or



NOTE: For this arrangement, designed to simplify installation, one extra WEEB® washer is required.

X DENOTES PLACES TO INSTALL WEEB-DMC

COLUMN X ROW = C X R = 4 X 1 = 4

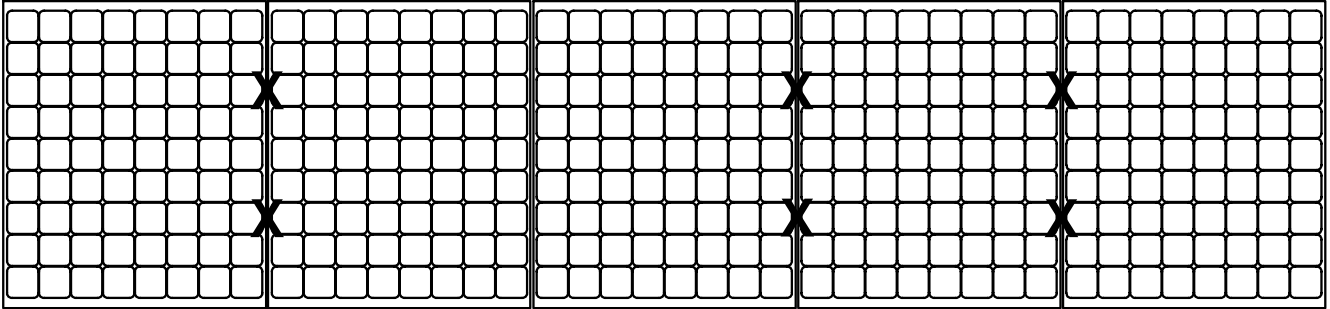
WEEB-DMC NEEDED = 4

Note:

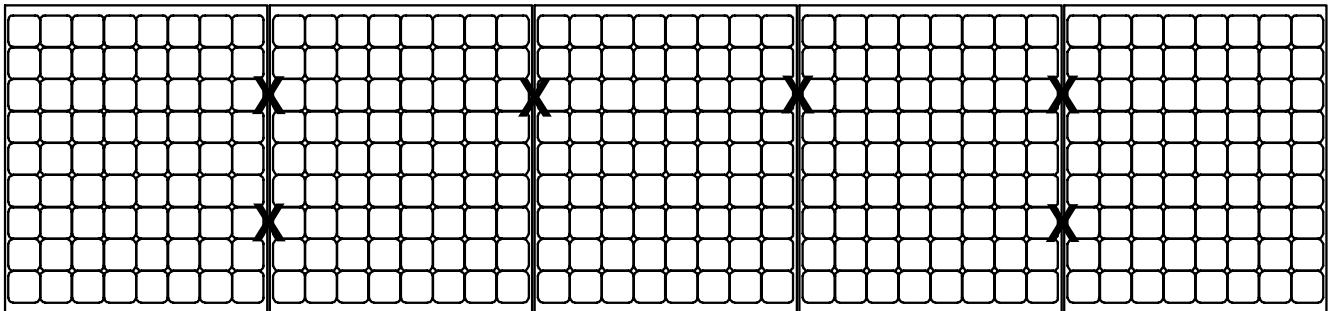
When replacing a single faulty module, also remove the adjacent module which contacts the same WEEB® washers as the faulty module.

WEEB-DMC LAYOUT

ODD NUMBER OF MODULES IN ROW



or



X DENOTES PLACES TO INSTALL WEEB-DMC

$$[\text{COLUMN} + 1] \times \text{ROW} = [C + 1] \times R = [5 + 1] \times 1 = 6$$

WEEB-DMC NEEDED = 6

Note:

When replacing a single faulty module, also remove the adjacent module which contacts the same WEEB® washers as the faulty module.

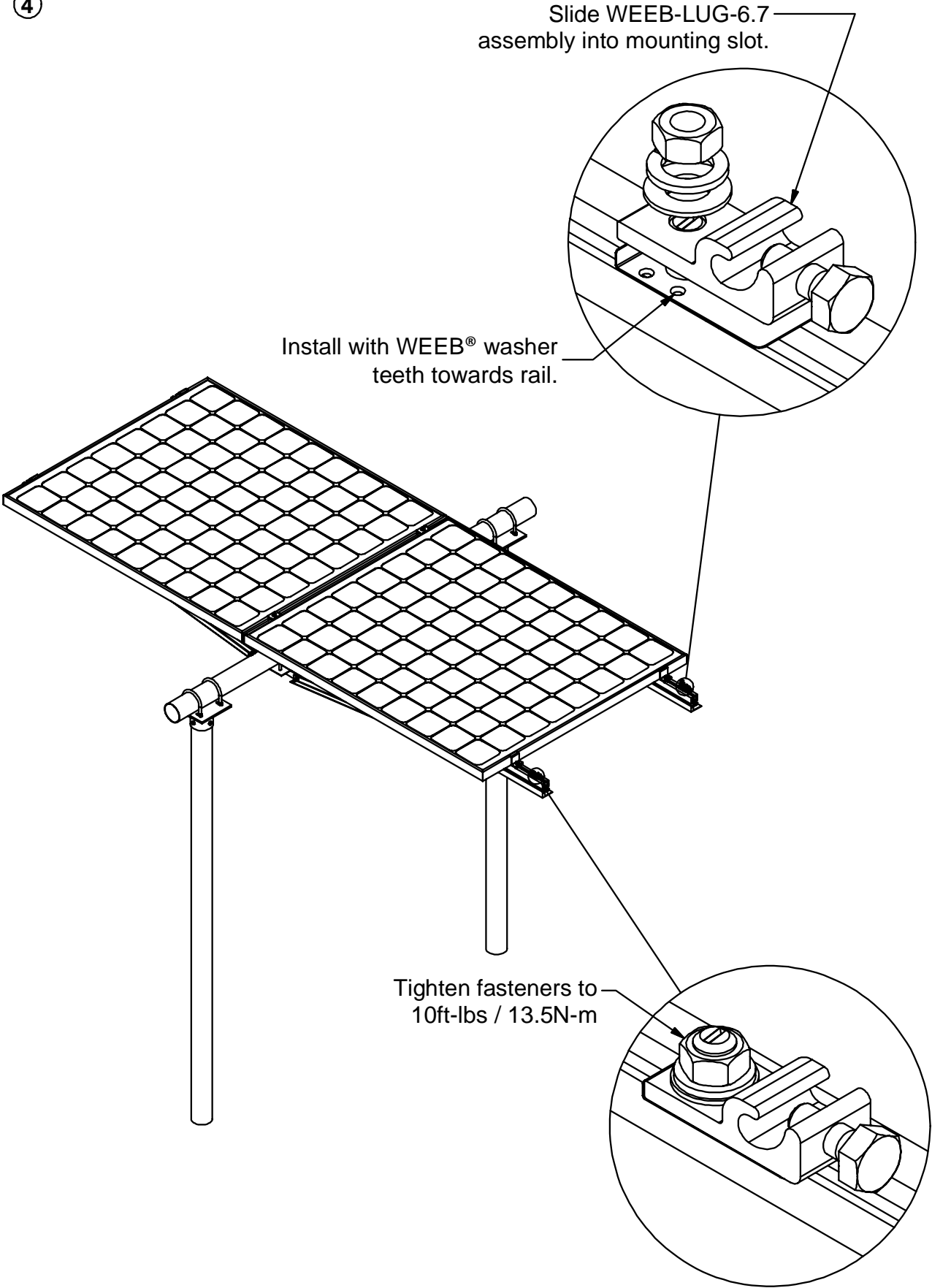
WEEB-LUG ASSEMBLY

④

Slide WEEB-LUG-6.7 assembly into mounting slot.

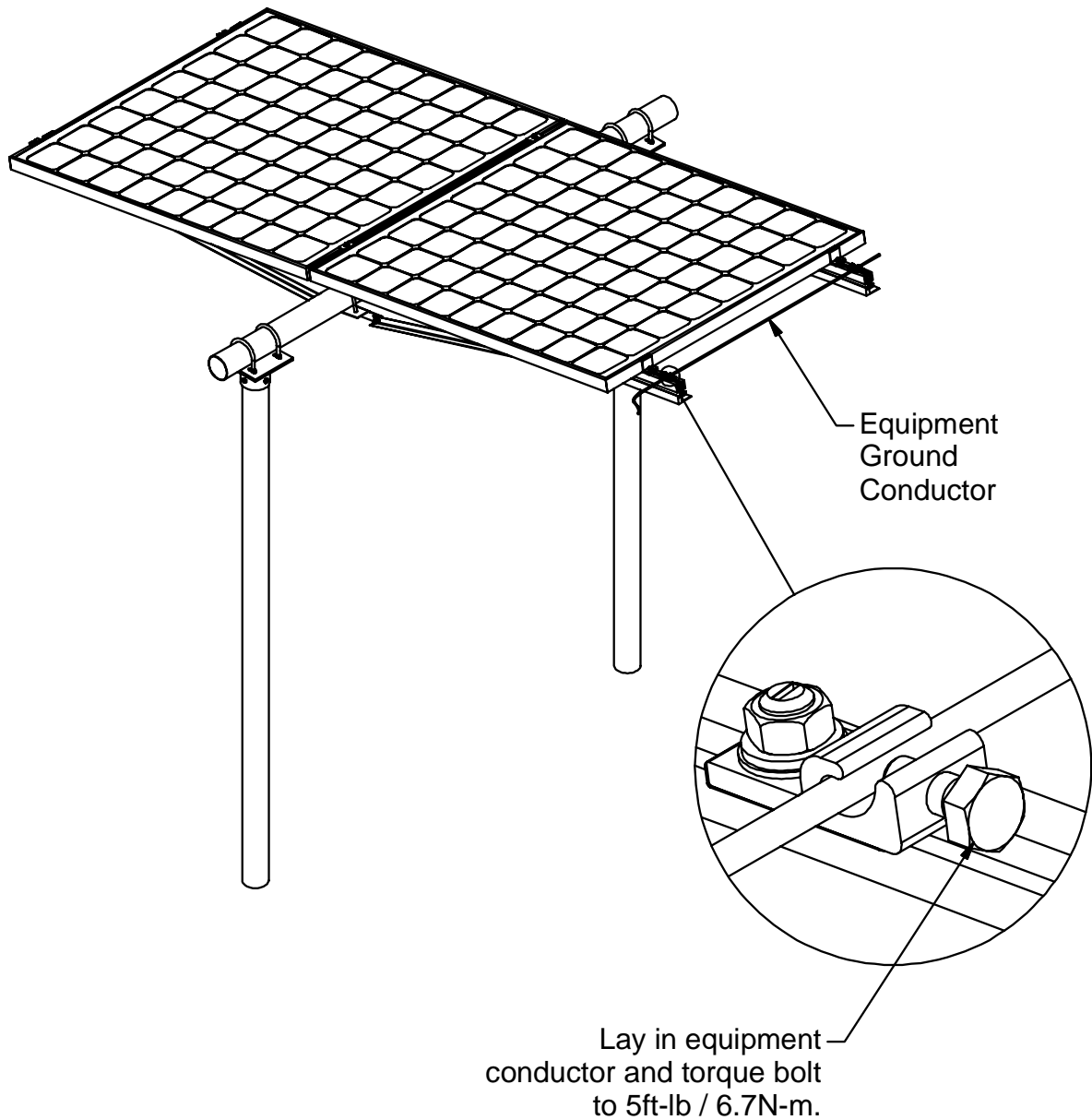
Install with WEEB® washer teeth towards rail.

Tighten fasteners to 10ft-lbs / 13.5N-m



Equipment Ground Connection

⑤



Customer Service Department
7 Aviation Park Drive
Londonderry, NH 03053
1-800-346-4175
1-603-647-5299 (International)