



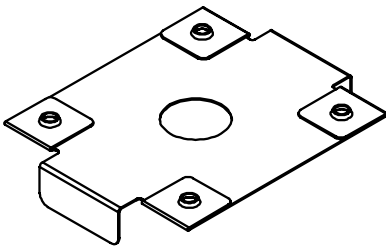
Washer, Electrical Equipment Bond

WEEB[®] WASHER

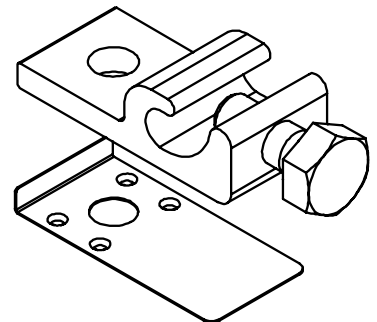
INSTALLATION INSTRUCTIONS

*For SunEarth Solar Strut
Employing CR-Clamp Only*

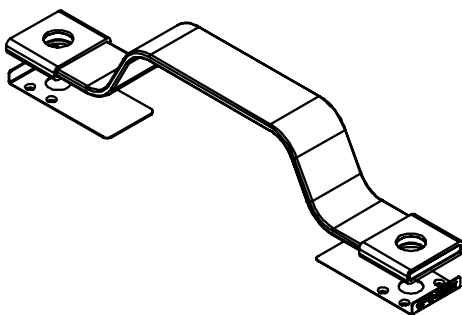
BURNDY recommends that the sufficient details of the installation be submitted to the AHJ for approval before any work is started.



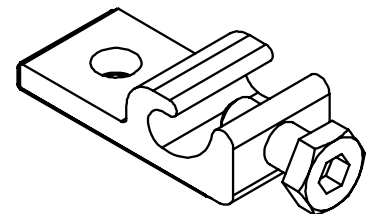
WEEB-SSR



WEEB-LUG-6.7



WEEB-BNDJMP6.7



WEEB-LUG-6.7HS



Products are tested to UL 467, CAN/CSA-C22.2 No. 41
US/ Canadian standards for safety grounding and bonding equipment.

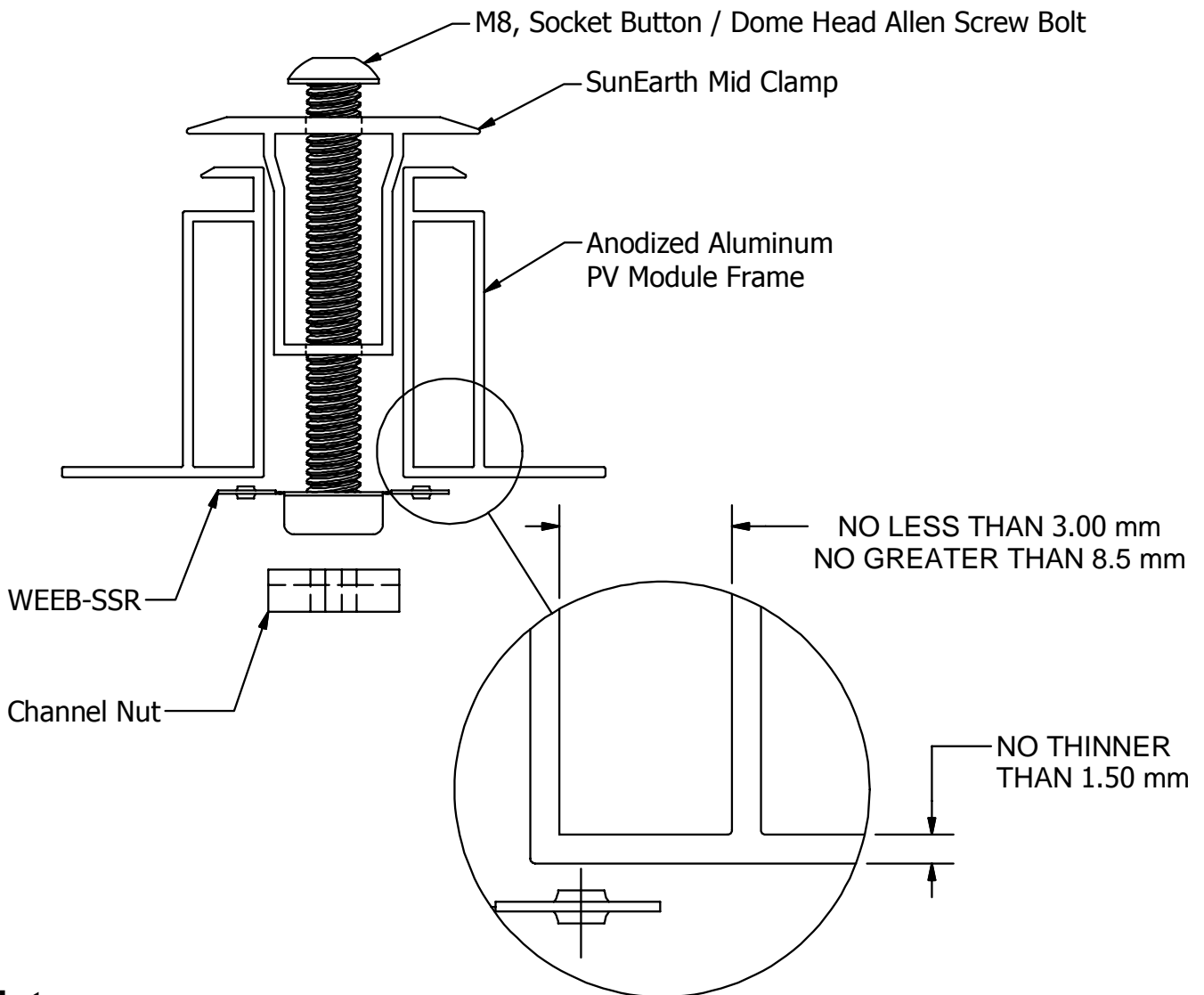


WEEB[®] WASHER COMPATIBILITY

The WEEB[®] washer family of products can be used to bond anodized aluminum, galvanized steel, steel and other electrically conductive metal structures. All installations shall be in accordance with NEC requirements in the USA and with CSA C22.1 in Canada. The WEEB[®] washers are for use with modules that have a maximum fuse rating of less than 25A.

WEEB-SSR on Boxed Module Frames

Certain module frames do not have enough structural strength to withstand the force required to embed a WEEB[®] washer. These frames will deform and therefore not allow sufficient penetration of the WEEB[®] washer teeth. The general requirements for minimum module frame thickness of "boxed" type module frames are illustrated below. For more information regarding module compatibility, please see the technical documents section of our website.

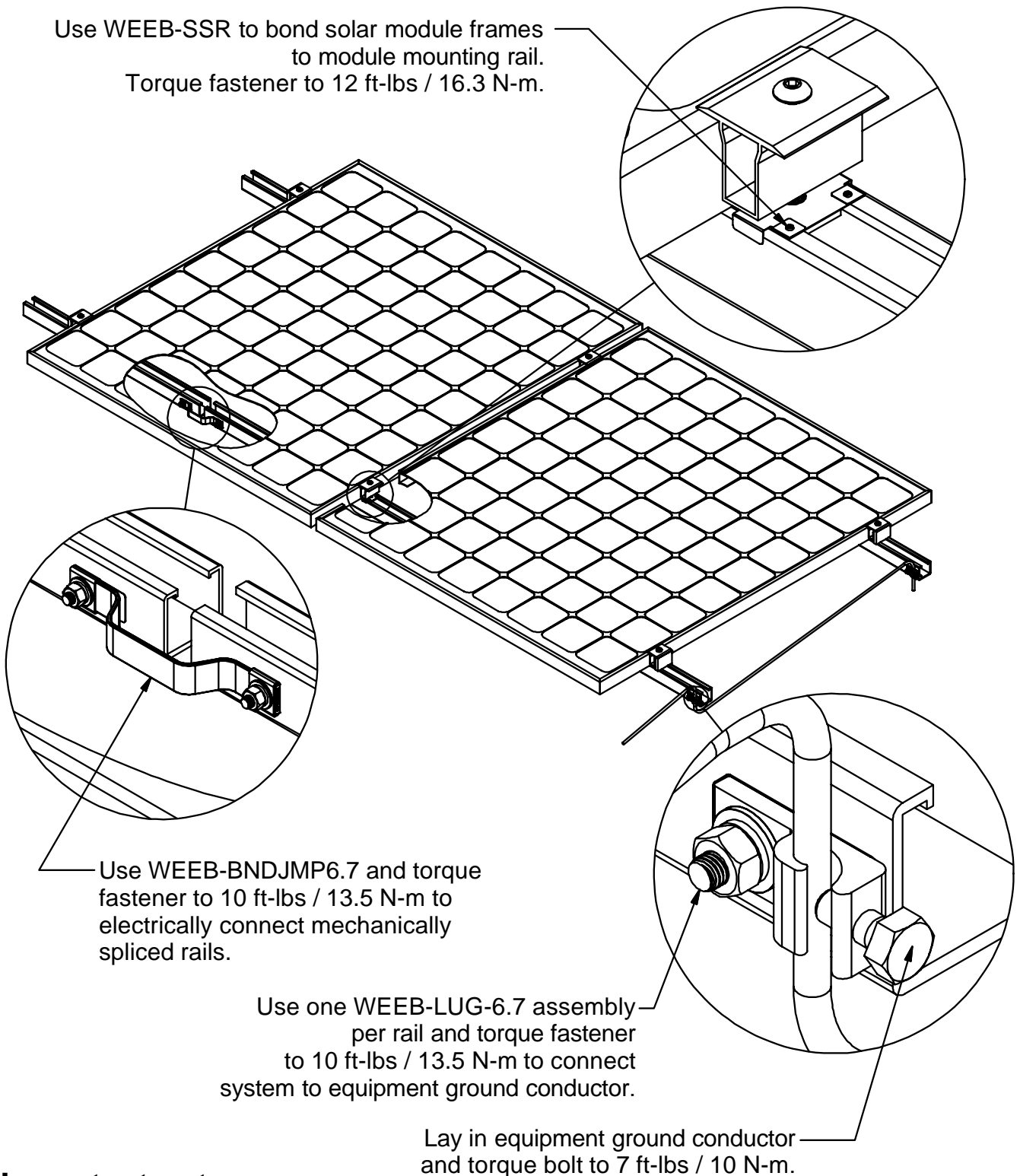


Note:

Inspect each module frame used with a WEEB[®] device to ensure that the bottom mounting face of the frame is flat, and that there are no hindrances to embedding WEEB[®] washer teeth. Do not use a module with a frame that prevents the WEEB[®] washer teeth from embedding fully.

SYSTEM OVERVIEW

Use WEEB-SSR to bond solar module frames to module mounting rail.
Torque fastener to 12 ft-lbs / 16.3 N-m.



Use WEEB-BNDJMP6.7 and torque fastener to 10 ft-lbs / 13.5 N-m to electrically connect mechanically spliced rails.

Use one WEEB-LUG-6.7 assembly per rail and torque fastener to 10 ft-lbs / 13.5 N-m to connect system to equipment ground conductor.

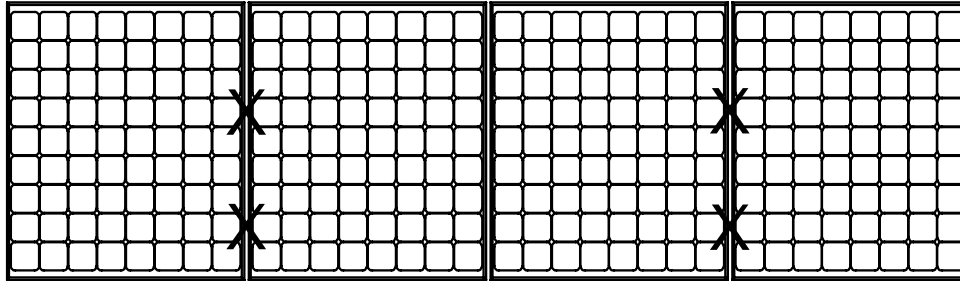
Lay in equipment ground conductor and torque bolt to 7 ft-lbs / 10 N-m.

Important notes:

1. Anti-Seize or BURNDY PENETROX™ oxide inhibitor is not required on mounting hardware.
2. Secure PV cables and reliably route cables using Wiley ACC cable clips for proper wire management.
3. The NEC section 690.43 states “Exposed non-current carrying metal parts of module frames, equipment, and conductor enclosures shall be grounded in accordance with 250.134 or 250.136(A) regardless of voltage”.

WEEB® WASHER LAYOUT LANDSCAPE MODULE ORIENTATION

EVEN NUMBER OF MODULES IN ROW

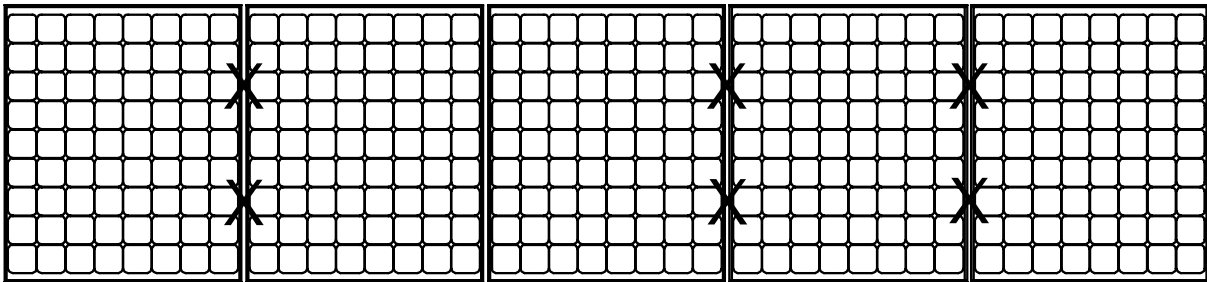


X DENOTES PLACES TO INSTALL WEEB-SSR

$$\text{COLUMN X ROW} = C \times R = 4 \times 1 = 4$$

$$\text{WEEB-SSR NEEDED} = 4$$

ODD NUMBER OF MODULES IN ROW



X DENOTES PLACES TO INSTALL WEEB-SSR

$$[\text{COLUMN} + 1] \times \text{ROW} = [C + 1] \times R = [5 + 1] \times 1 = 6$$

$$\text{WEEB-SSR NEEDED} = 6$$

Customer Service Department
7 Aviation Park Drive
Londonderry, NH 03053
1-800-346-4175
1-603-647-5299 (International)

Note:

When replacing a single faulty module, also remove the adjacent module which contacts the same WEEB® washers as the faulty module. This will ensure that there are never ungrounded modules in the array.