



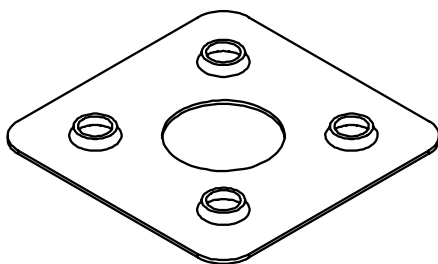
Washer, Electrical Equipment Bond

WEEB[®] WASHER

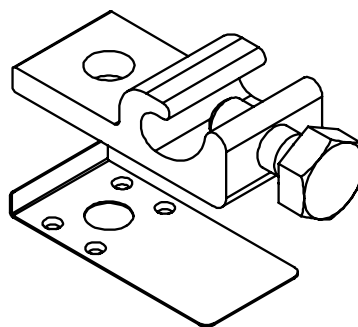
INSTALLATION INSTRUCTIONS

*For ISYS Roof Mount (IRM),
Ground Mount Steel (GMS), and
Ground Mount Tracker (GMT) Systems Only*

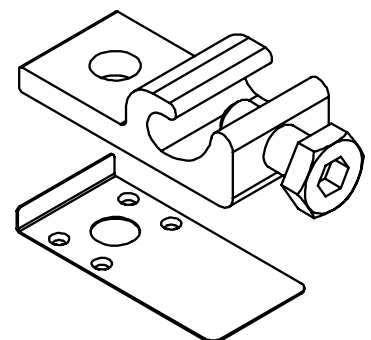
BURNDY recommends that the sufficient details of the installation be submitted to the AHJ for approval before any work is started.



WEEB-UIR



WEEB-LUG-6.7



WEEB-LUG-6.7HS

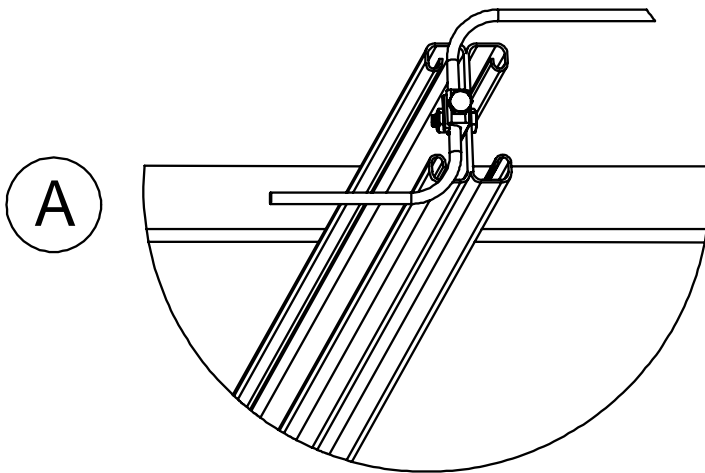


Products are tested to UL 467, CAN/CSA-C22.2 No. 41
US/ Canadian standards for safety grounding and bonding equipment.

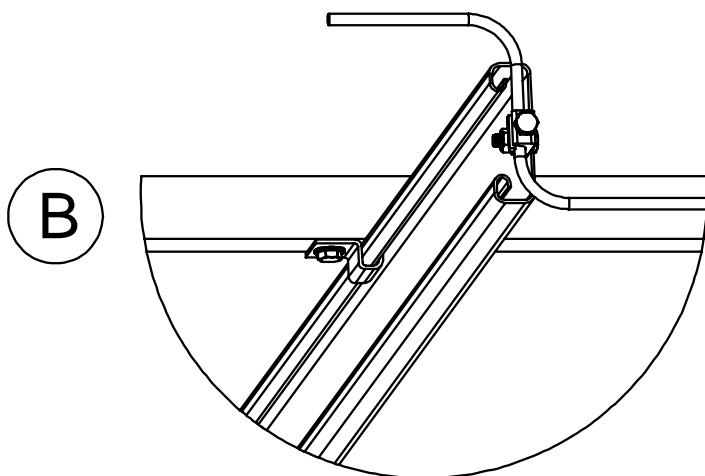


ISYS RACKING SYSTEMS

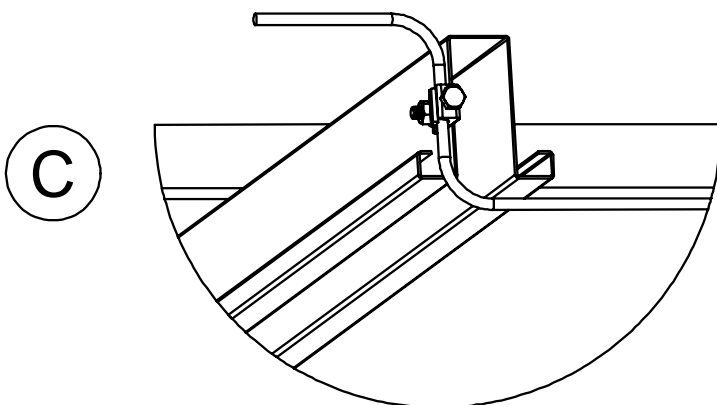
This manual covers the following ISYS Racking Systems



ISYS Roof and Ground Mount
I-Beam



ISYS Roof and Ground Mount
Channel Beam
(same WEEB® washer
instructions as scenario A)

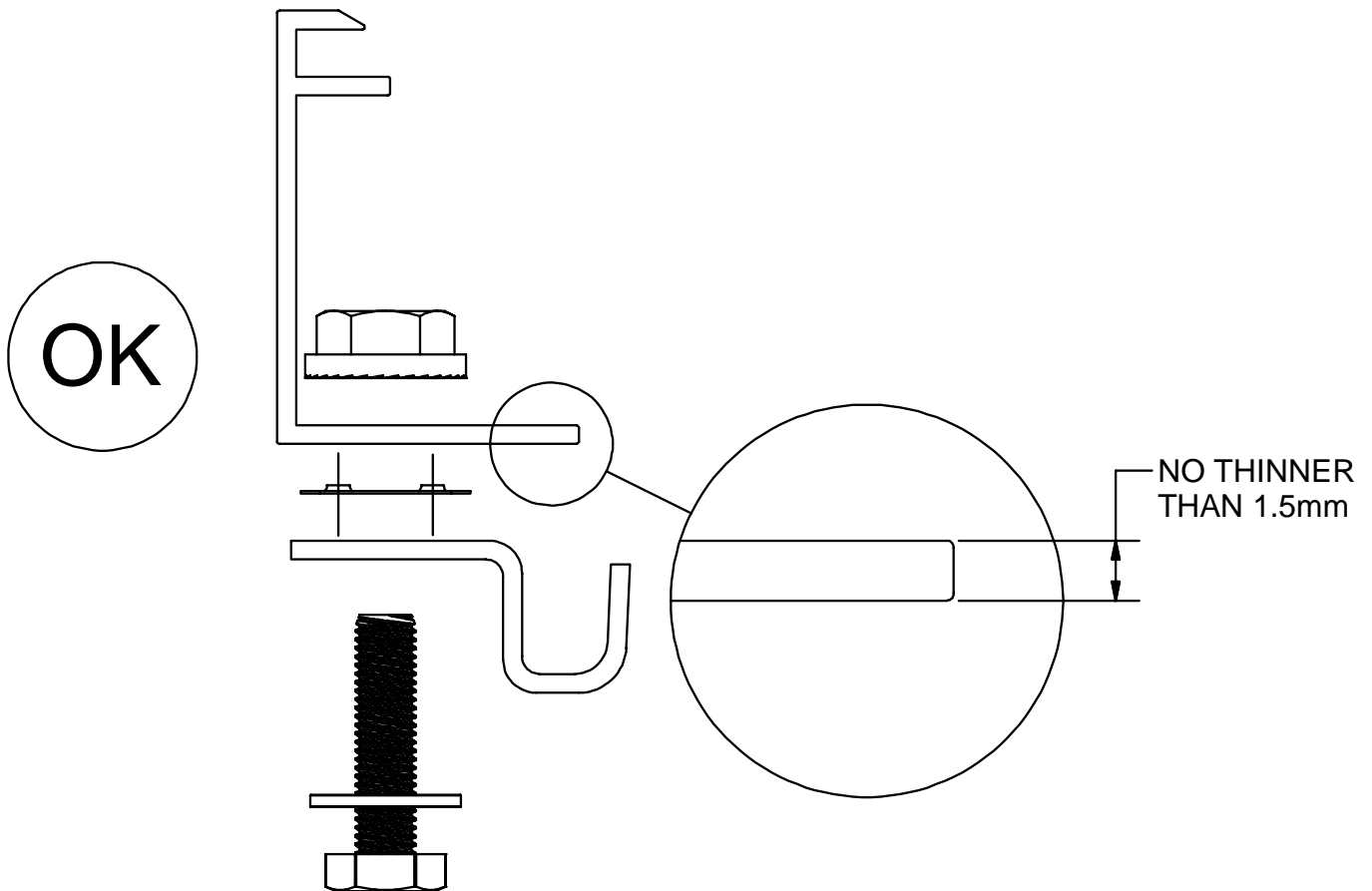


ISYS Utility Ground Mount
Hat Channel

WEEB-UIR COMPATIBILITY

The WEEB® washer family of products can be used to bond anodized aluminum, galvanized steel, steel and other electrically conductive metal structures. All installations shall be in accordance with NEC requirements in the USA and with CSA C22.1 in Canada. The WEEB® washers are for use with modules that have a maximum fuse rating of less than 25A.

Certain module frames do not have enough structural strength to withstand the force required to embed a WEEB® washer. These frames will deform and therefore not allow sufficient penetration of the WEEB® washer teeth. The general requirement for minimum module frame thickness is illustrated below. For more information regarding module compatibility, please see the technical documents section of our website.



Note:

Inspect each module frame used with a WEEB® device to ensure that the bottom mounting face of the frame is flat, and that there are no hindrances to embedding WEEB® washer teeth. Do not use a module with a frame that prevents the WEEB® washer teeth from embedding fully.

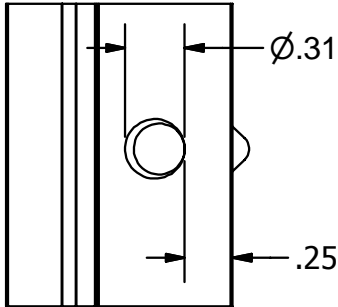
WEEB-UIR COMPATIBILITY

WEEB-UIR BOTTOM MOUNT SCENARIOS

This chart is only applicable with the
ISYS I-Beam and Channel Beam

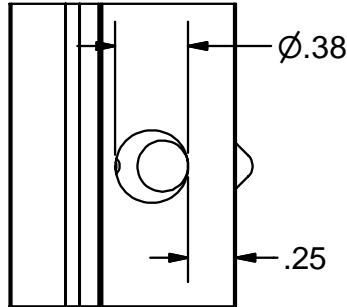
BOTTOM MOUNTING THE WEEB-UIR REQUIRES CERTAIN MODULE FRAME SPECIFICATIONS
PLEASE REVIEW THE SCENARIOS BELOW TO DETERMINE
HOW MANY WEEB-UIR'S PER MODULE ARE NECESSARY

Small Clearance



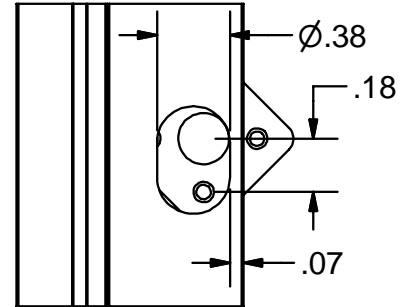
1/4" - 5/16" Module Mounting Hole at least 0.25" away from flange edge

Large Clearance

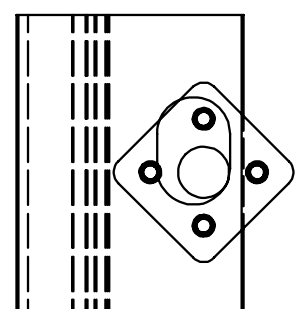
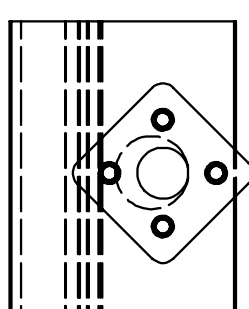
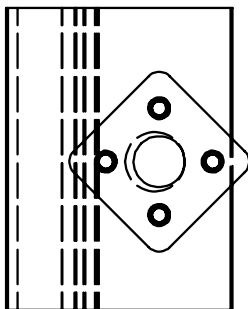
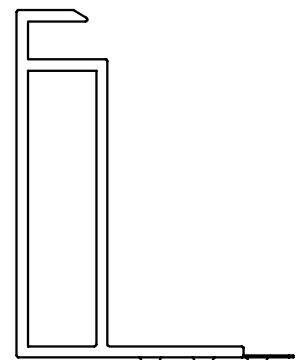
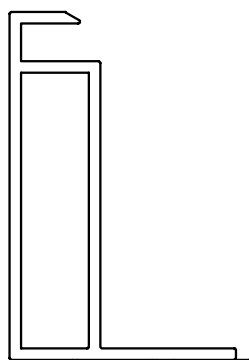
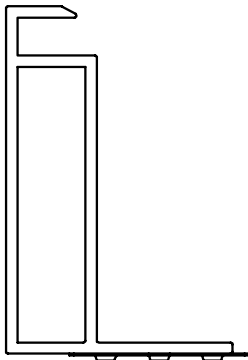


11/32" - 3/8" Module Mounting Hole or 1/4" Module Mounting Hole closer than 0.25" to the flange edge

Slotted



Slotted Module Mounting Hole with maximum dimensions shown above



ALL WEEB® WASHER
TEETH EMBED

ONLY (1) WEEB-UIR
NEEDED PER MODULE

AT LEAST 2 WEEB® WASHER
TEETH EMBED

ONLY (1) WEEB-UIR
NEEDED PER MODULE

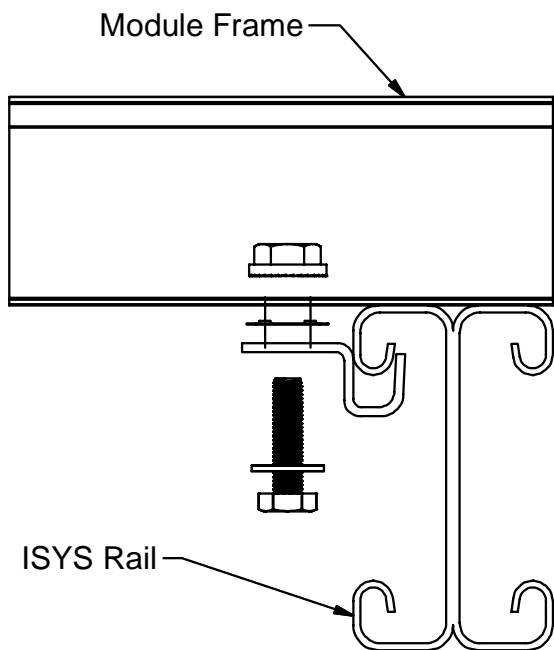
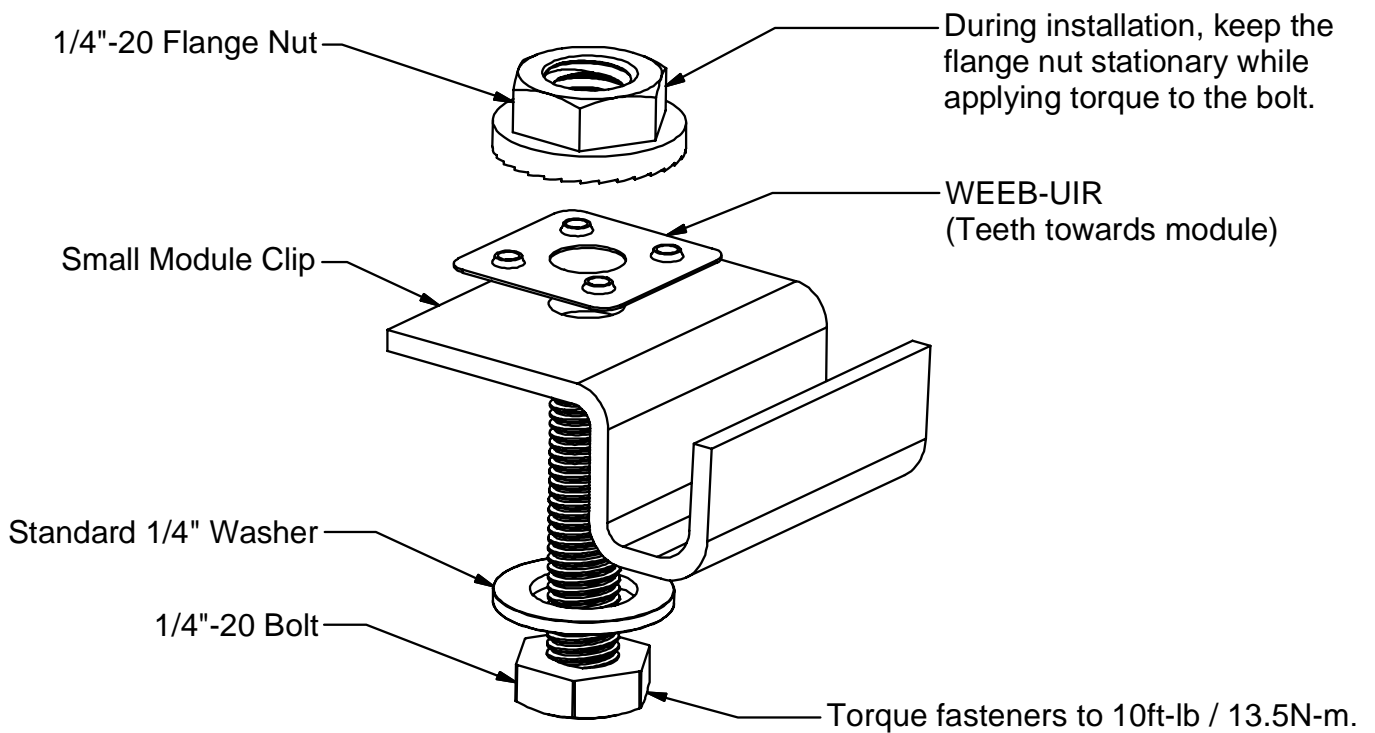
AT LEAST (1) WEEB® WASHER
TOOTH EMBEDS

(2) WEEB-UIR
NEEDED PER MODULE

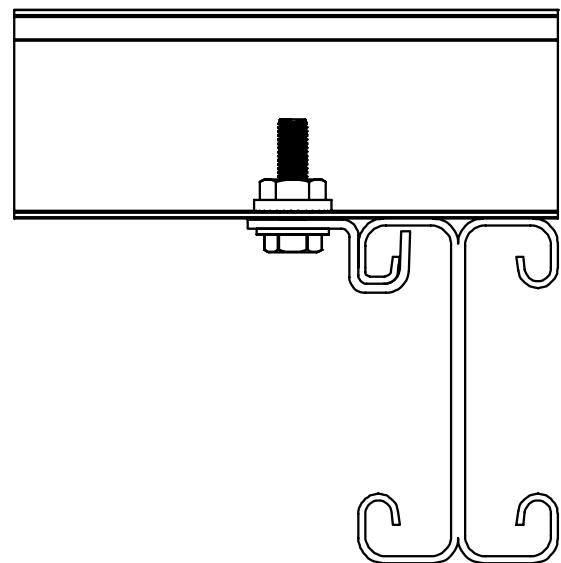
IF YOUR MODULE FRAME DOES NOT FIT ANY OF THESE SCENARIO'S
PLEASE CONTACT BURNDY TO DETERMINE FINAL COMPATIBILITY

WEEB-UIR ASSEMBLY

For ISYS I-Beam and Channel Beam



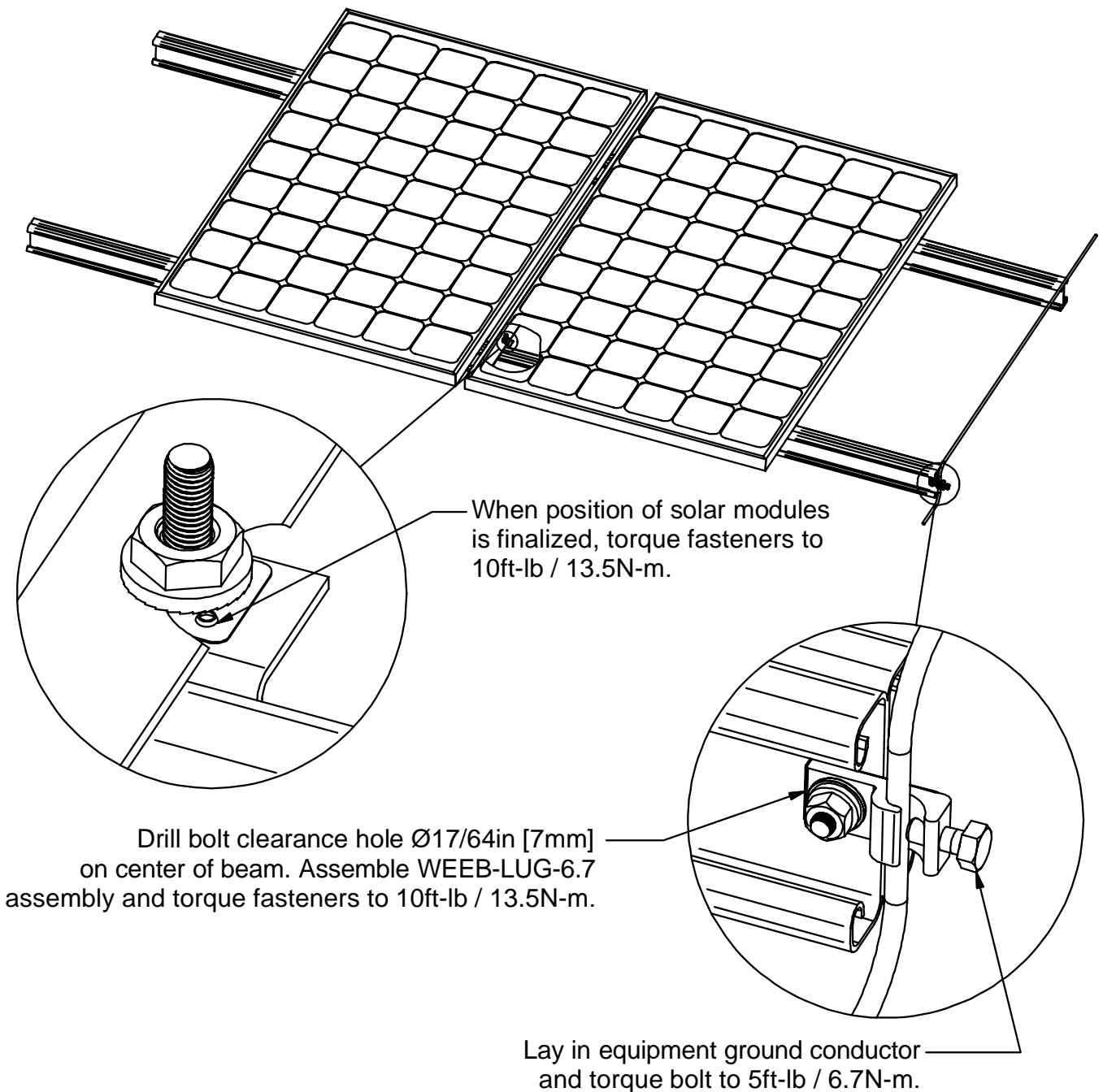
Pre-Assembled



Assembled

SYSTEM OVERVIEW

Unirac ISYS I-Beam and Channel Beam



Important notes:

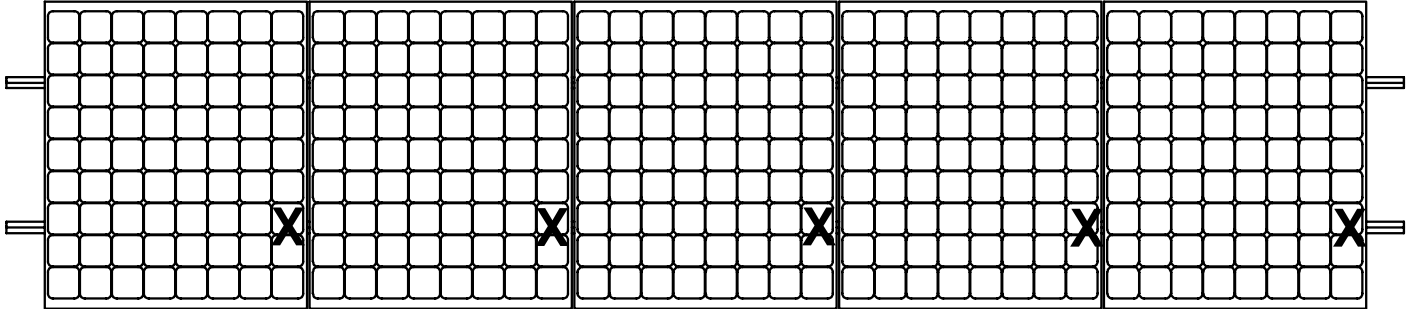
1. Anti-Seize or BURNDY PENETROX™ oxide inhibitor is not required on mounting hardware.
2. Secure PV cables and reliably route cables using Wiley ACC cable clips for proper wire management.
3. The NEC section 690.43 states “Exposed non-current carrying metal parts of module frames, equipment, and conductor enclosures shall be grounded in accordance with 250.134 or 250.136(A) regardless of voltage”.

WEEB-UIR LAYOUT

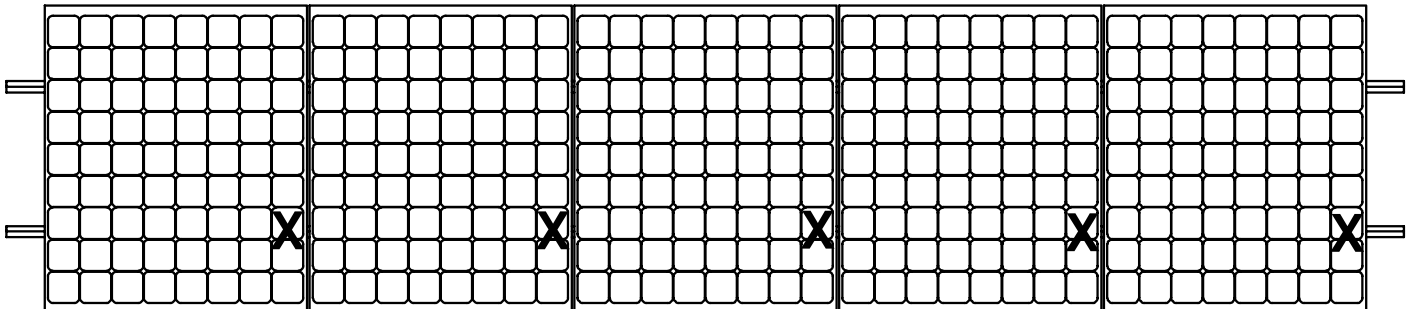
For ISYS I-Beam and Channel Beam

Please refer back to WEEB® Washer compatibility page to reference which mounting scenario is necessary

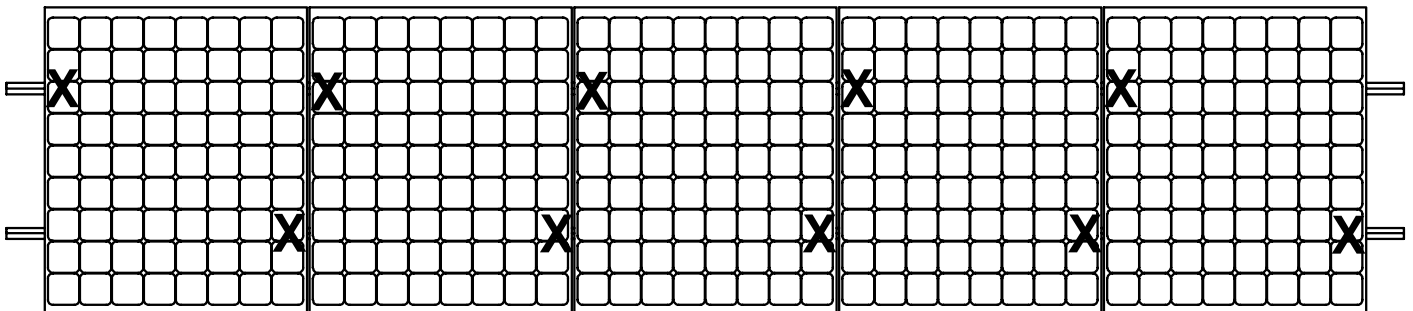
X DENOTES PLACES TO INSTALL WEEB-UIR



Small Clearance



Large Clearance



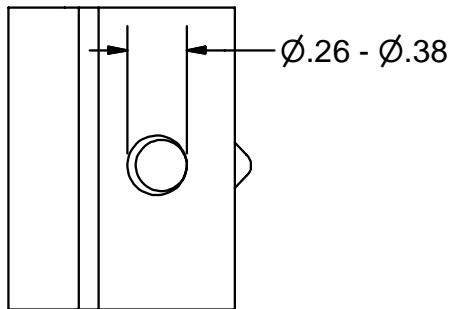
Slotted

WEEB-UIR COMPATIBILITY

WEEB-UIR BOTTOM MOUNT SCENARIOS This chart is only applicable with the ISYS HAT CHANNEL

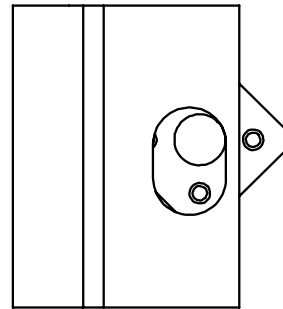
BOTTOM MOUNTING THE WEEB-UIR REQUIRES CERTAIN MODULE FRAME SPECIFICATIONS
PLEASE REVIEW THE SCENARIOS BELOW TO DETERMINE
HOW MANY WEEB-UIR'S PER MODULE ARE NECESSARY

Clearance Hole

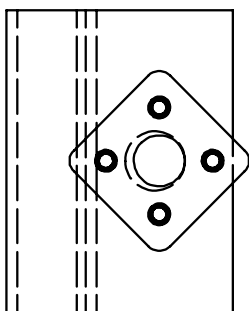
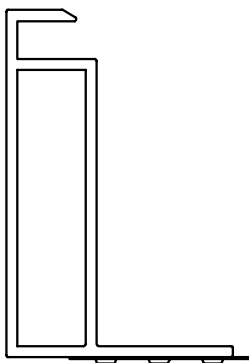


1/4" - 3/8" Module
Mounting Hole

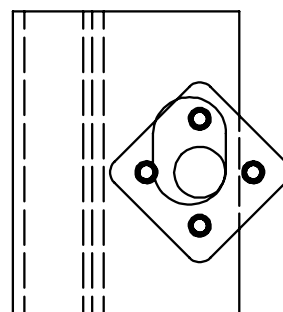
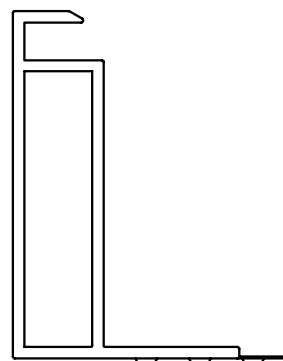
Slotted



All modules that use slotted
mounting holes will require
two (2) WEEB-UIR's



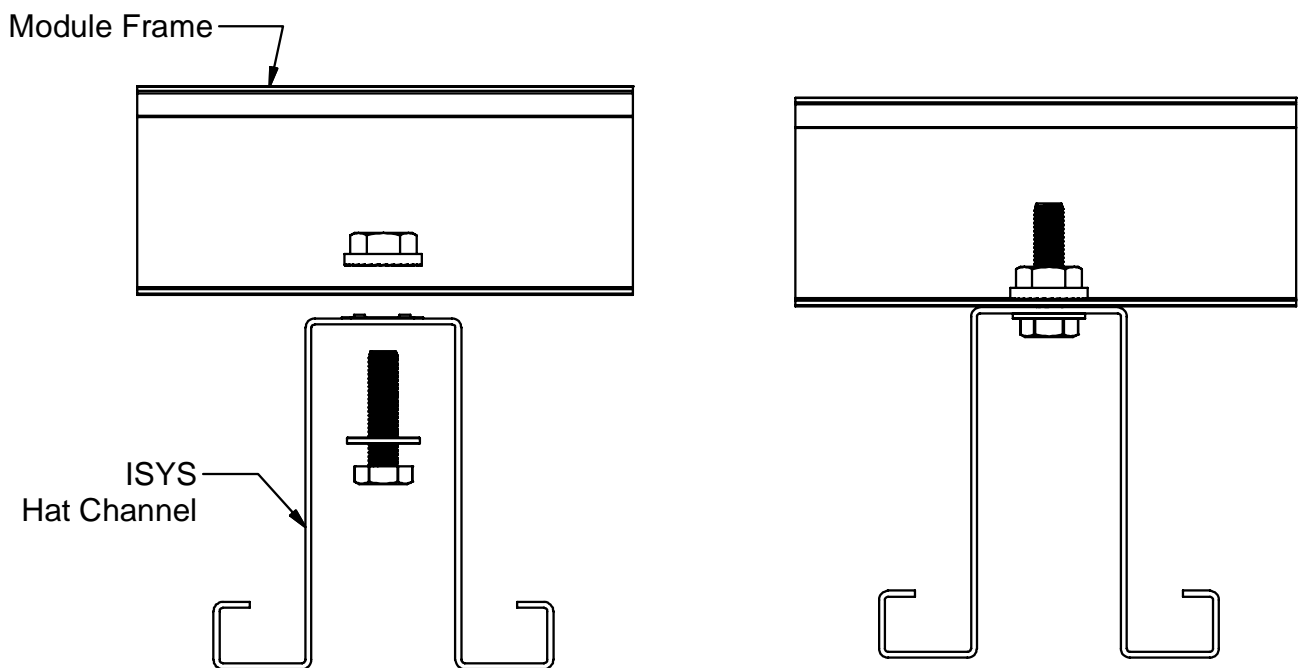
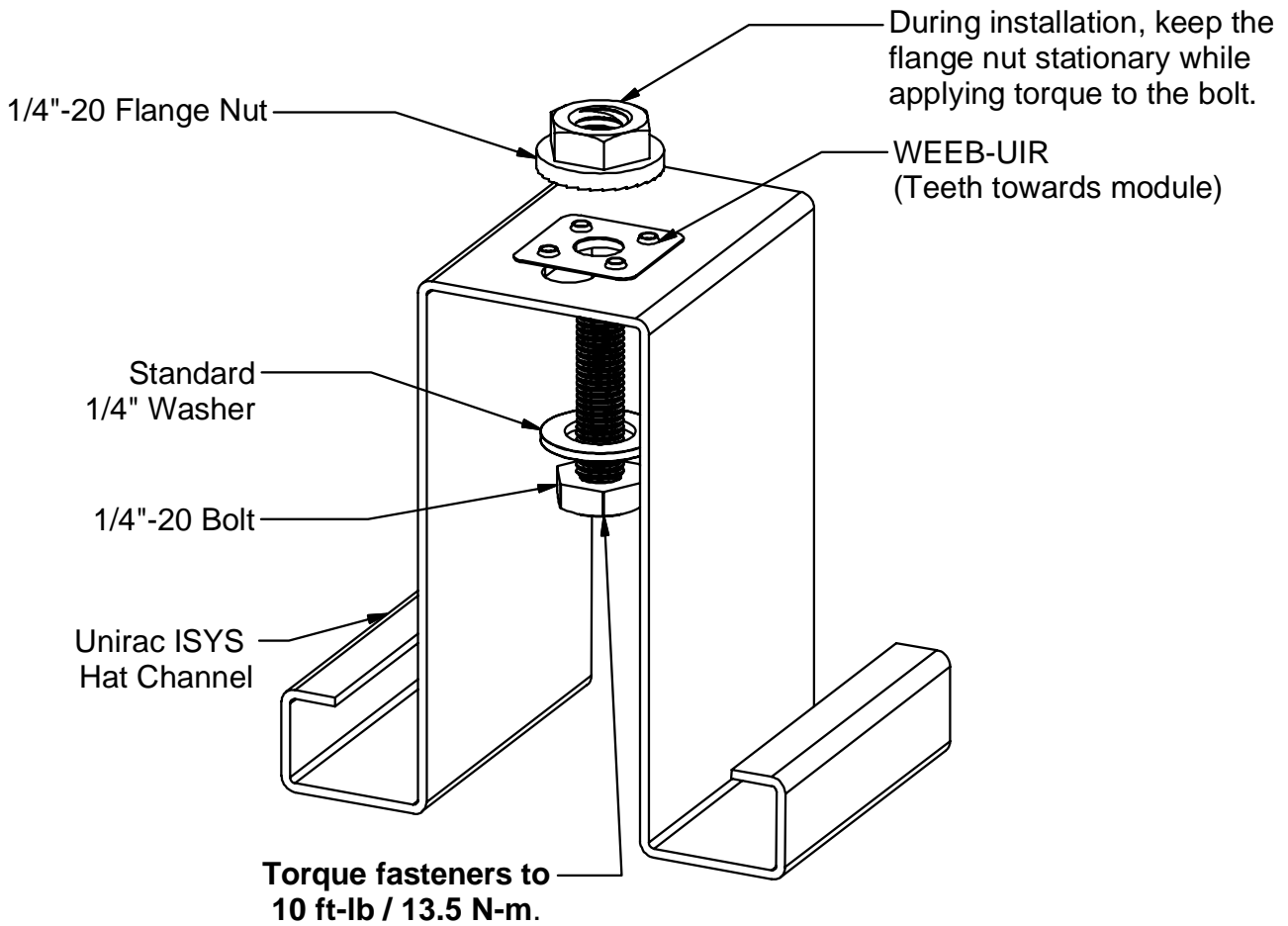
ONLY (1) WEEB-UIR
NEEDED PER MODULE



ONLY (2) WEEB-UIR
NEEDED PER MODULE

IF YOUR MODULE FRAME DOES NOT FIT ANY OF THESE SCENARIO'S
PLEASE CONTACT BURNDY TO DETERMINE FINAL COMPATIBILITY

WEEB-UIR ASSEMBLY For ISYS Hat Channel Only

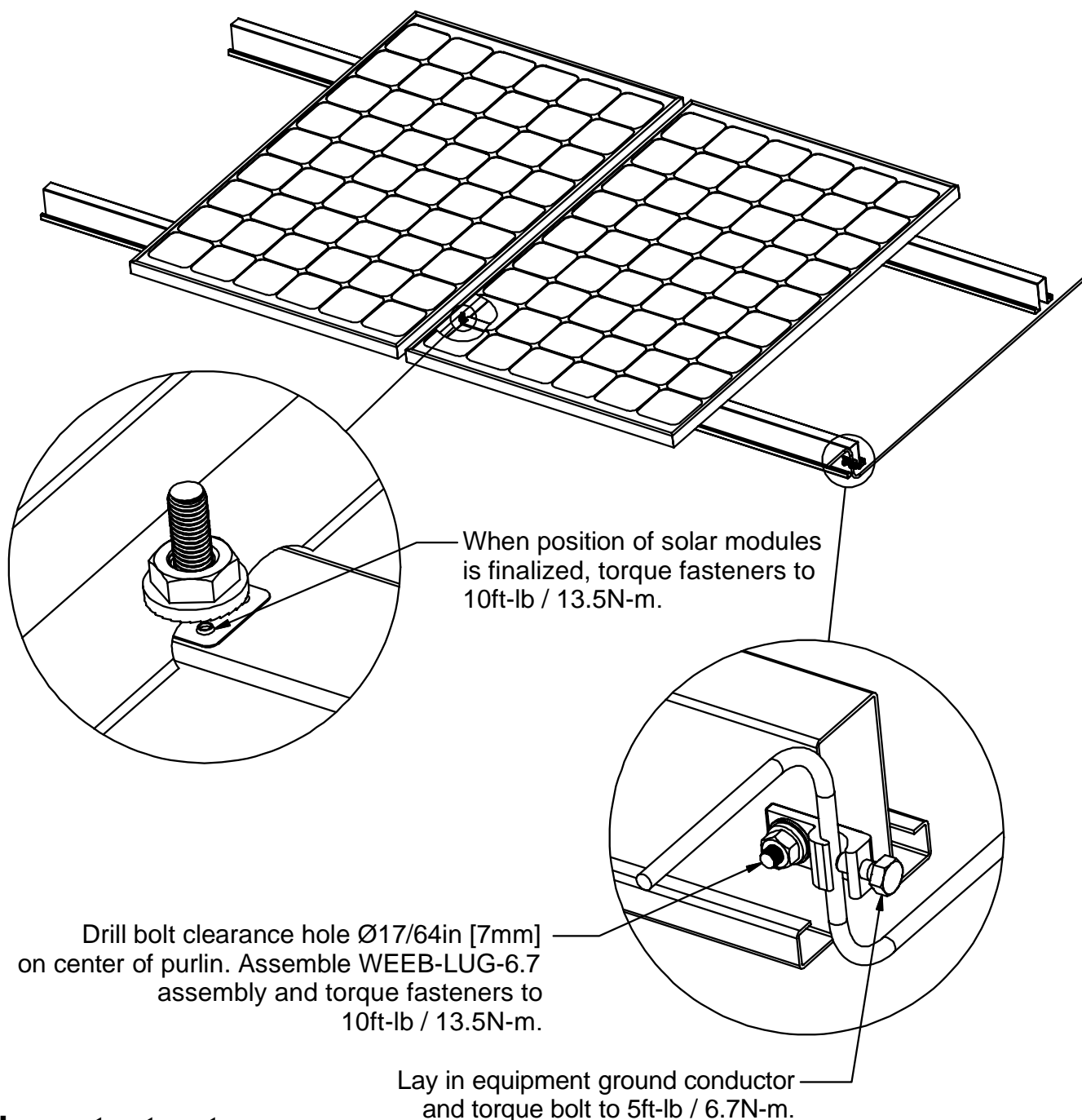


Pre-Assembled

Assembled

SYSTEM OVERVIEW

Unirac ISYS Ground Mount Steel and Ground Mount Tracker Hat Channel



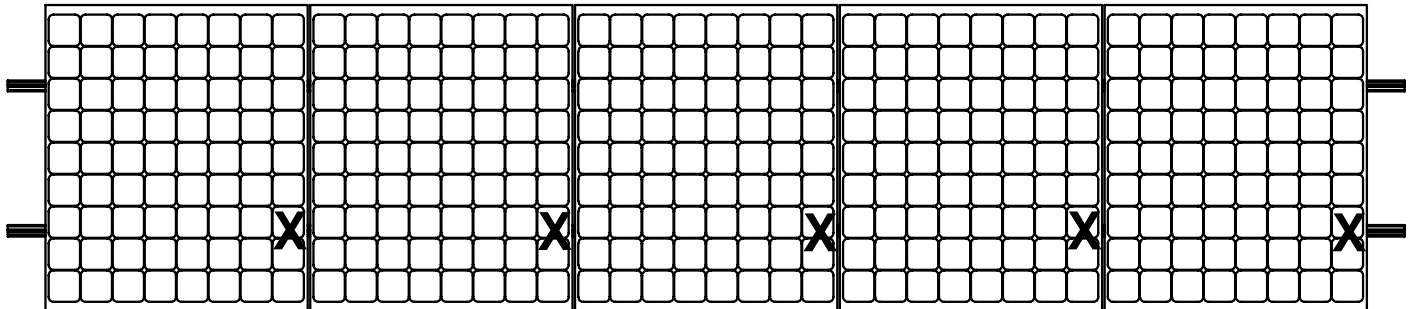
Important notes:

1. Anti-Seize or BURNDY PENETROX™ oxide inhibitor is not required on mounting hardware.
2. Secure PV cables and reliably route cables using Wiley ACC cable clips for proper wire management.
3. The NEC section 690.43 states “Exposed non-current carrying metal parts of module frames, equipment, and conductor enclosures shall be grounded in accordance with 250.134 or 250.136(A) regardless of voltage”.

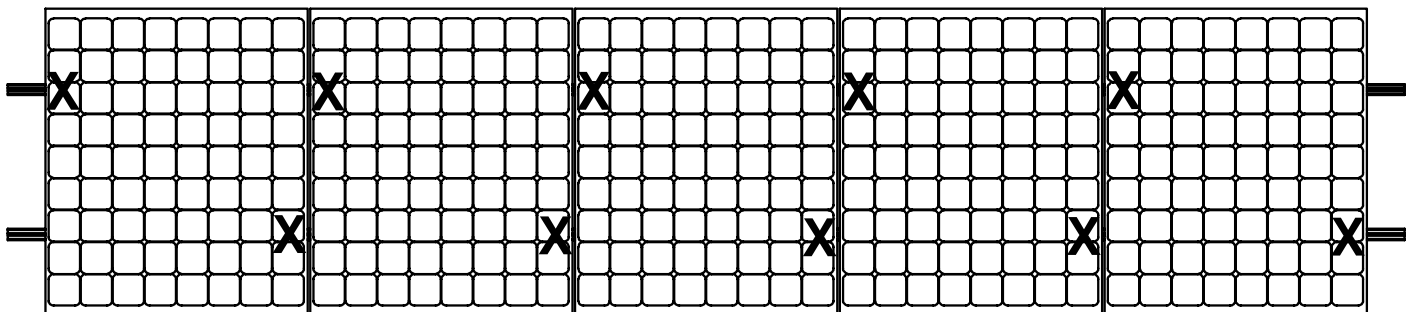
WEEB-UIR LAYOUT For ISYS Hat Channel

Please refer back to WEEB® Washer compatibility page to reference which mounting scenario is necessary

X DENOTES PLACES TO INSTALL WEEB-UIR



Clearance Hole



Slotted

Customer Service Department
7 Aviation Park Drive
Londonderry, NH 03053
1-800-346-4175
1-603-647-5299 (International)