

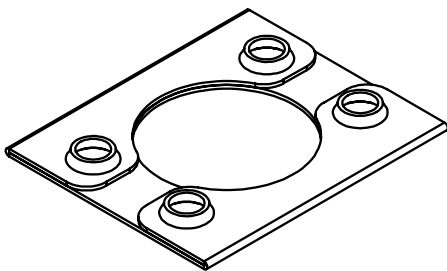


Washer, Electrical Equipment Bond

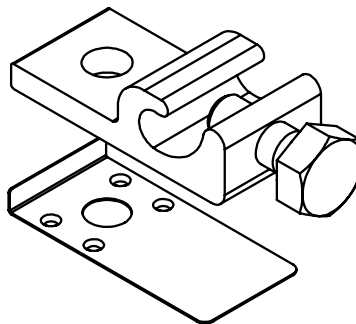
WEEB[®] WASHER

INSTALLATION INSTRUCTIONS *For SPG Solar SunSeeker All Weather Single-Axis Tracker Only*

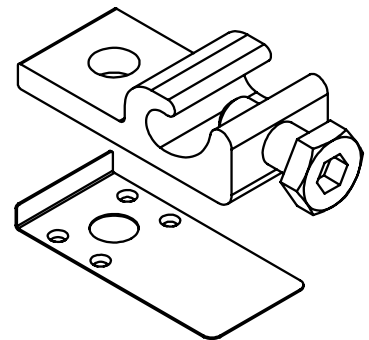
BURNDY recommends that the sufficient details of the installation be submitted to the AHJ for approval before any work is started.



WEEB-9.5NL



WEEB-LUG-6.7



WEEB-LUG-6.7HS



Products are tested to UL 467, CAN/CSA-C22.2 No. 41
US/ Canadian standards for safety grounding and bonding equipment.

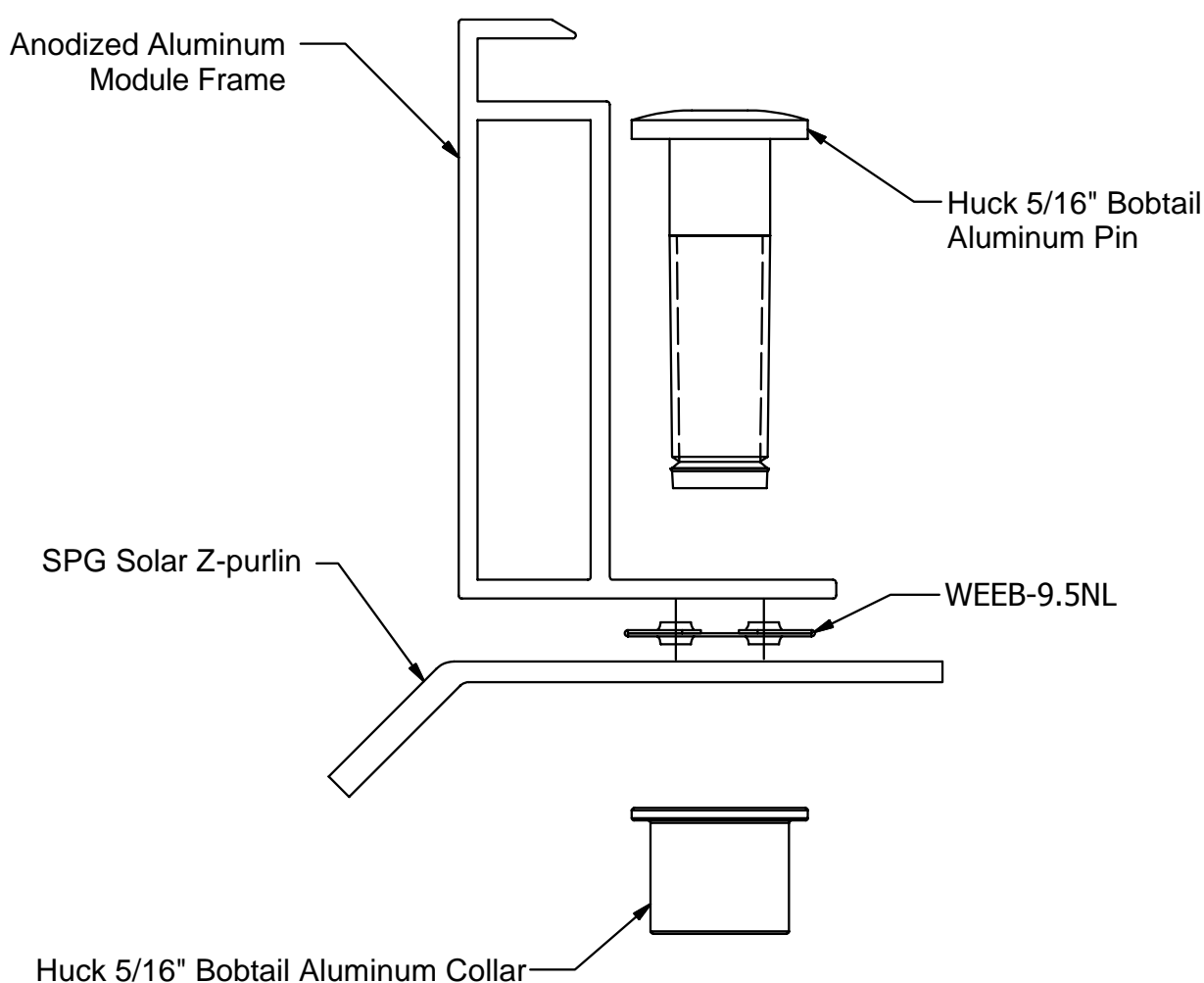


WEEB® WASHER COMPATIBILITY

The WEEB® washer family of products can be used to bond anodized aluminum, galvanized steel, steel and other electrically conductive metal structures. All installations shall be in accordance with NEC requirements in the USA and with CSA C22.1 in Canada. The WEEB® washers are for use with modules that have a maximum fuse rating of less than 25A.

Bottom Mounting Modules

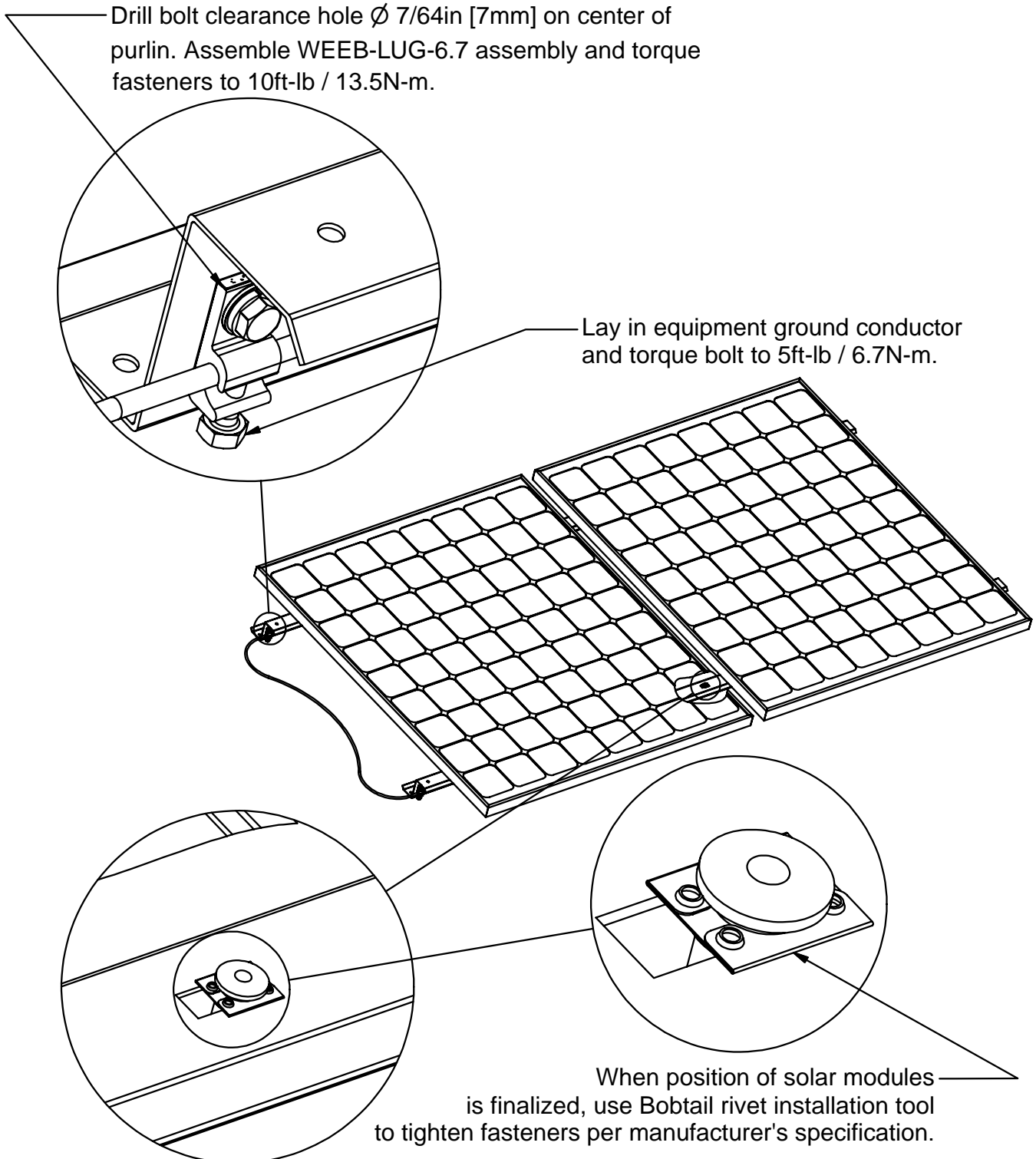
The WEEB® washers used for bonding the PV modules to the mounting rails are compatible with various cross-sections of module frames. The following is an example of a module frame that is compatible. Notice that the WEEB® washer teeth are positioned completely under the edge of the module frame.



Note:

Inspect each module frame used with a WEEB® device to ensure that the bottom mounting face of the frame is flat, and that there are no hindrances to embedding WEEB® washer teeth. Do not use a module with a frame that prevents the WEEB® washer teeth from embedding fully.

SYSTEM OVERVIEW

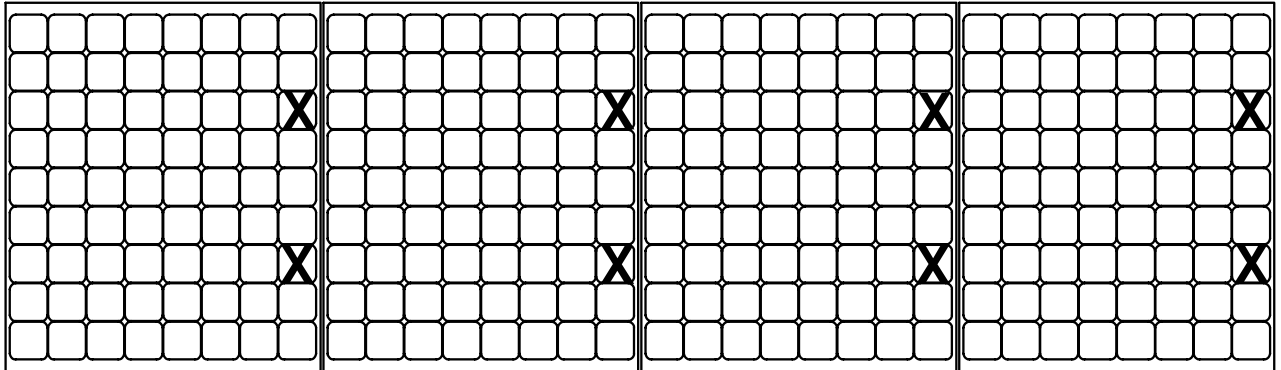


Important notes:

1. Anti-Seize or BURNDY PENETROX™ oxide inhibitor is not required on mounting hardware.
2. Secure PV cables and reliably route cables using Wiley ACC cable clips for proper wire management.
3. The NEC section 690.43 states “Exposed non-current carrying metal parts of module frames, equipment, and conductor enclosures shall be grounded in accordance with 250.134 or 250.136(A) regardless of voltage”.

WEEB-9.5NL LAYOUT PORTRAIT MODULE ORIENTATION

EVEN NUMBER OF MODULES IN ROW

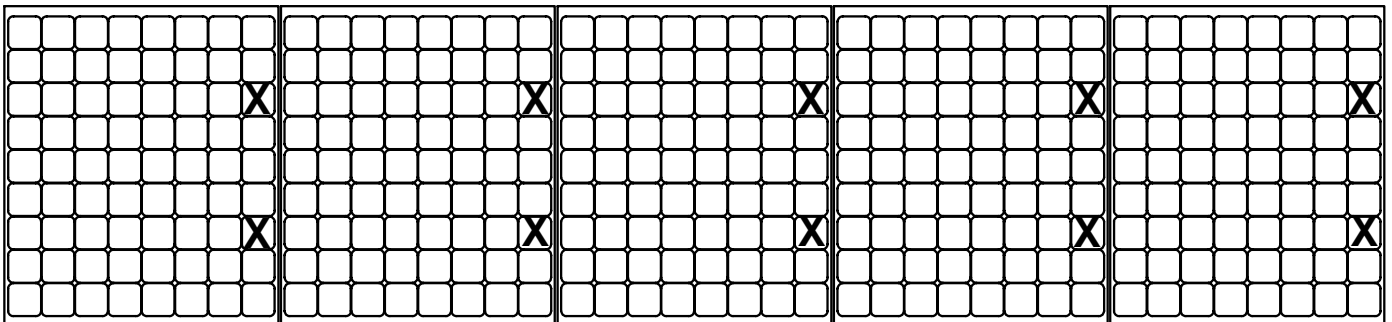


X DENOTES PLACES TO INSTALL WEEB-9.5NL

$$[\text{COLUMN} \times \text{ROW}] \times 2 = [C \times R] \times 2 = [4 \times 1] \times 2 = 8$$

WEEB-9.5NL NEEDED = 8

ODD NUMBER OF MODULES IN ROW



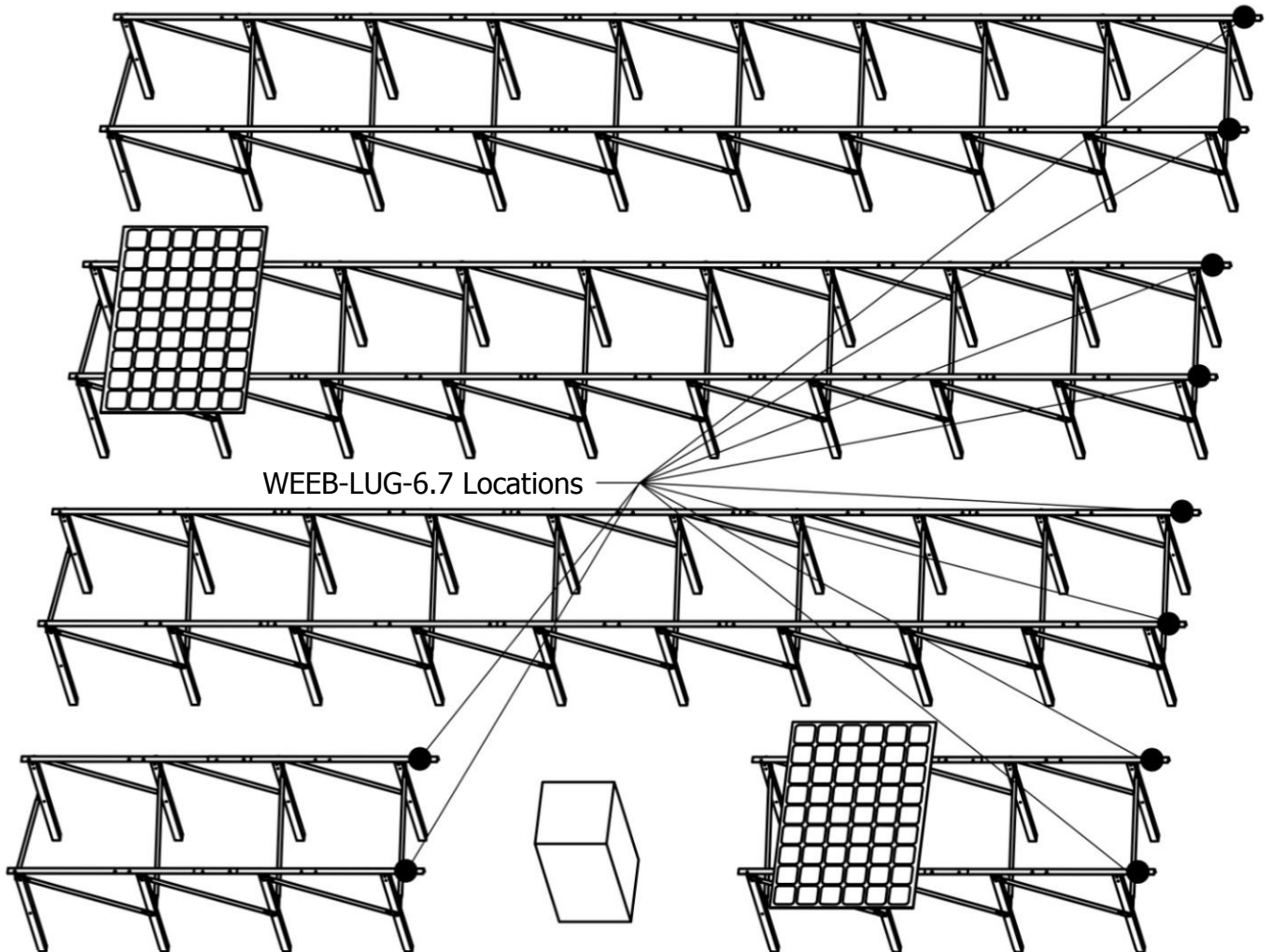
X DENOTES PLACES TO INSTALL WEEB-9.5NL

$$[\text{COLUMN} \times \text{ROW}] \times 2 = [C \times R] \times 2 = [5 \times 1] \times 2 = 10$$

WEEB-9.5NL NEEDED = 10

WEEB-LUG-6.7 LOCATIONS

Install WEEB-LUG-6.7's at the following marked locations. Lug position is the same in both portrait and landscape configurations.



Customer Service Department
7 Aviation Park Drive
Londonderry, NH 03053
1-800-346-4175
1-603-647-5299 (International)