



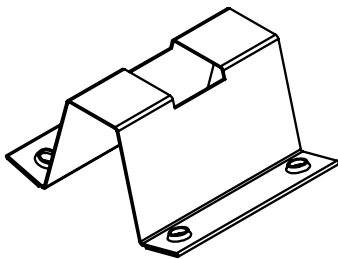
Washer, Electrical Equipment Bond

WEEB[®] WASHER

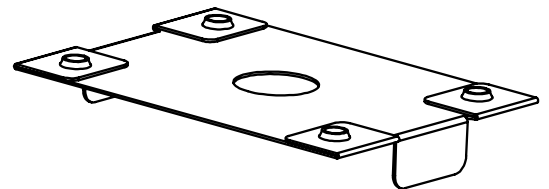
INSTALLATION INSTRUCTIONS

*For SolarWorld Suntrac
Single-Axis Tracker Only*

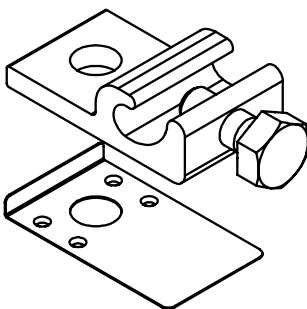
BURNDY recommends that the sufficient details of the installation be submitted to the AHJ for approval before any work is started.



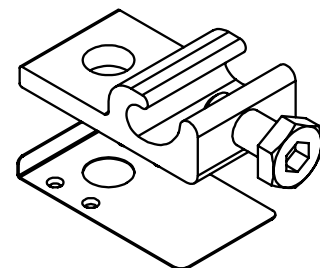
WEEB-DPF



WEEB-PMC



WEEB-LUG-8.0



WEEB-LUG-8.0HS



Products are tested to UL 467, CAN/CSA-C22.2 No. 41
US/ Canadian standards for safety grounding and bonding equipment.



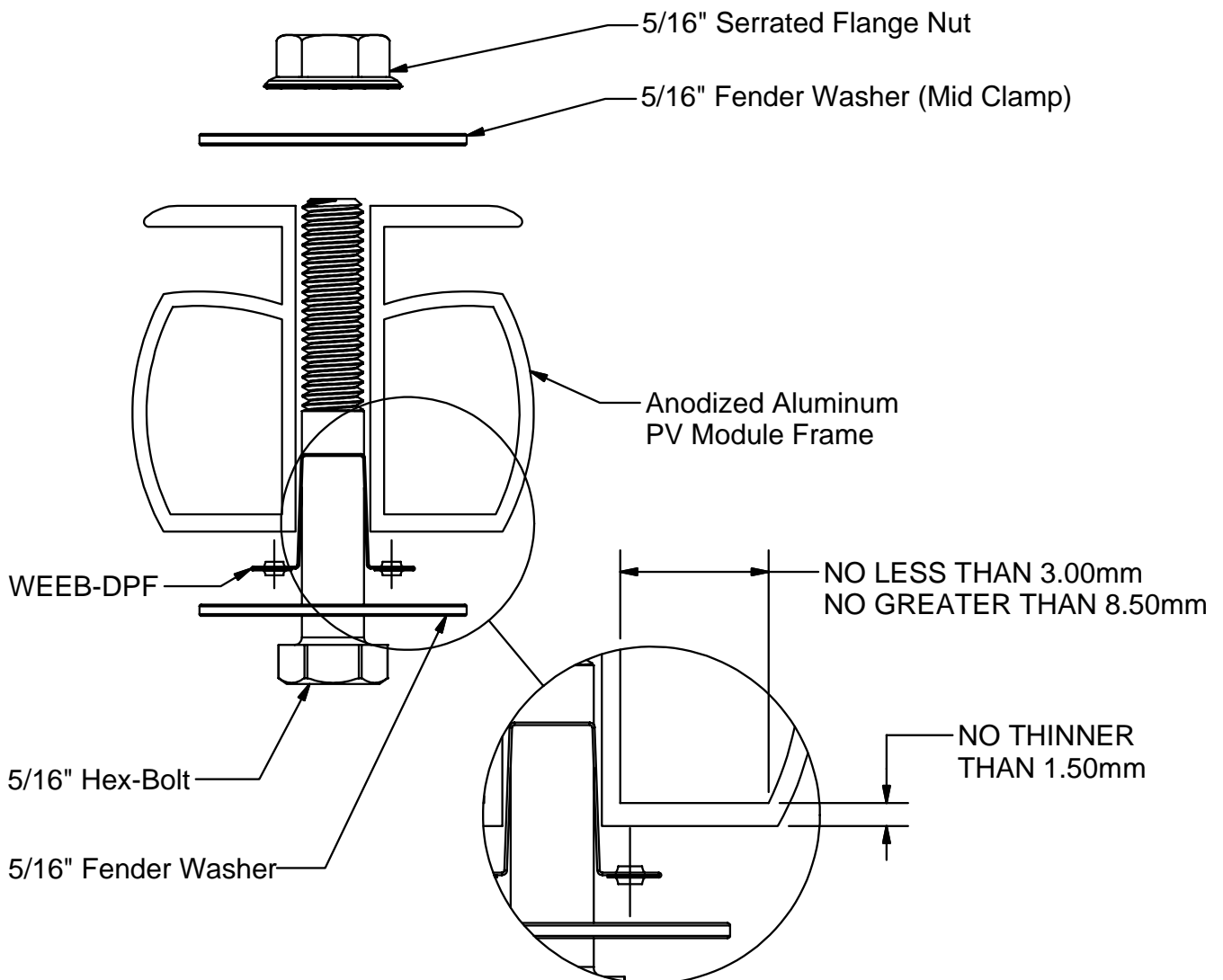
Intertek
4004188



WEEB® WASHER COMPATIBILITY

The WEEB® washer family of products can be used to bond anodized aluminum, galvanized steel, steel and other electrically conductive metal structures. All installations shall be in accordance with NEC requirements in the USA and with CSA C22.1 in Canada. The WEEB® washers are for use with modules that have a maximum fuse rating of less than 25A.

Certain module frames do not have enough structural strength to withstand the force required to embed a WEEB® washer. These frames will deform and therefore not allow sufficient penetration of the WEEB® washer teeth. The general requirements for minimum module frame thickness of "boxed" type module frames are illustrated below. For more information regarding module compatibility, please see the technical documents section of our website.

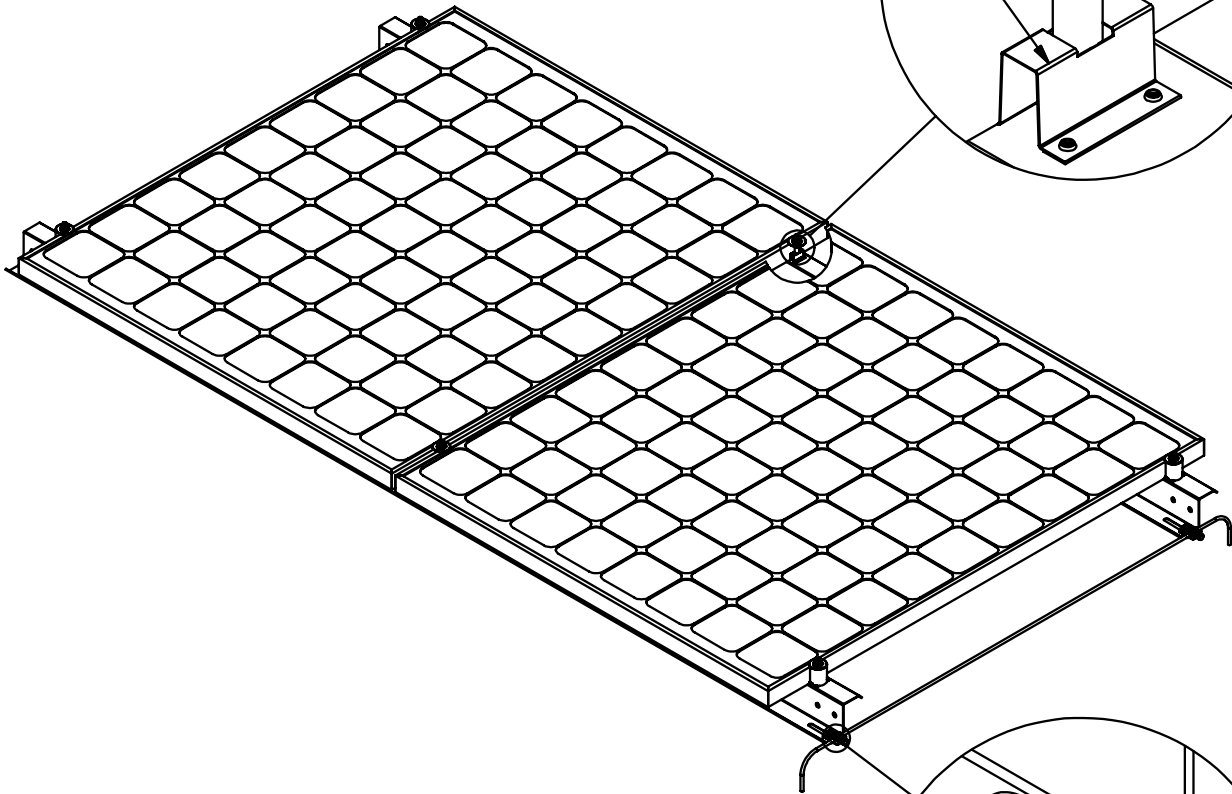
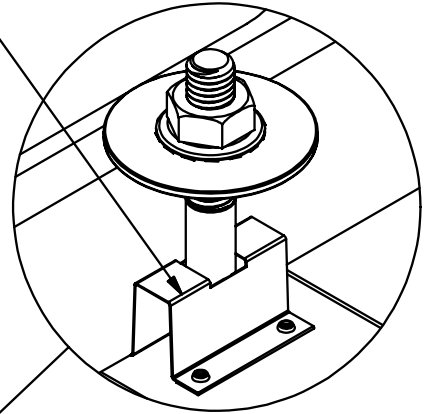


Note:

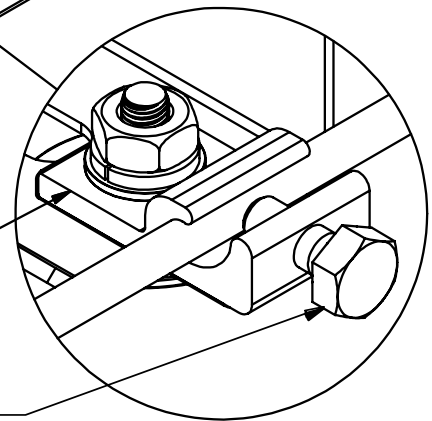
Inspect each module frame used with a WEEB® device to ensure that the bottom mounting face of the frame is flat, and that there are no hindrances to embedding WEEB® washer teeth. Do not use a module with a frame that prevents the WEEB® washer teeth from embedding fully.

SYSTEM OVERVIEW

Use WEEB-DPF to bond solar module frames to module mounting rail. Torque fastener to 12ft-lbs / 16.3N-m



Drill bolt clearance hole \varnothing 8.4mm / 21/64in on center of vertical rail support. Then assemble WEEB-LUG-8.0 assembly and torque fasteners to 10ft-lb / 13.5N-m.

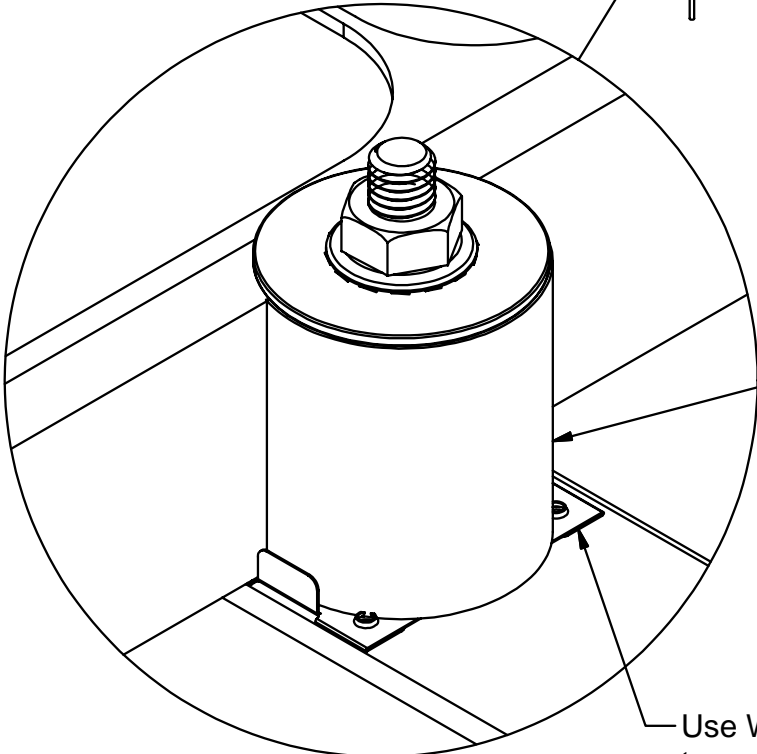
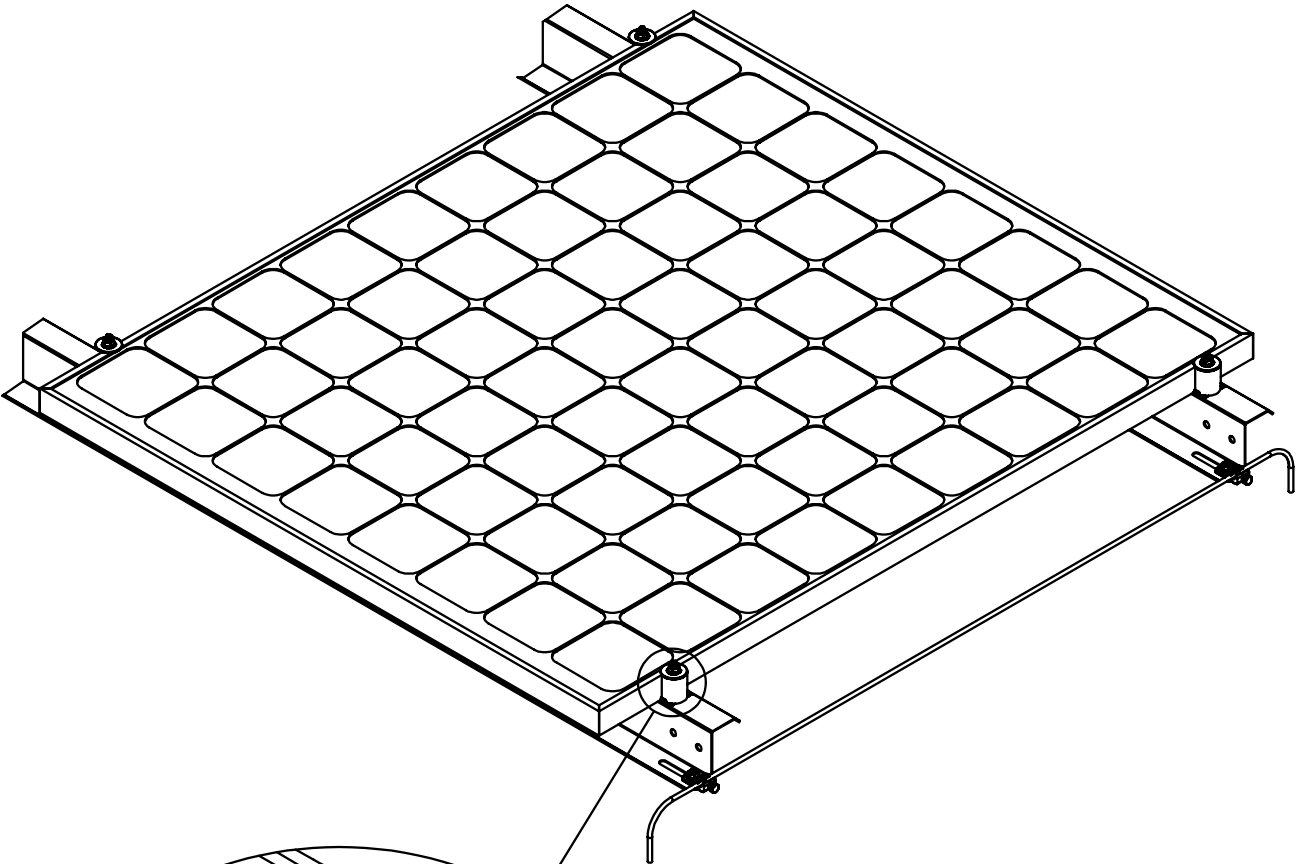


Lay in equipment ground conductor and torque bolt to 5ft-lbs / 6.7N-m.

Important notes:

1. Anti-Seize or BURNDY PENETROX™ oxide inhibitor is not required on mounting hardware.
2. Secure PV cables and reliably route cables using Wiley ACC cable clips for proper wire management.
3. The NEC section 690.43 states “Exposed non-current carrying metal parts of module frames, equipment, and conductor enclosures shall be grounded in accordance with 250.134 or 250.136(A) regardless of voltage”.

SYSTEM OVERVIEW

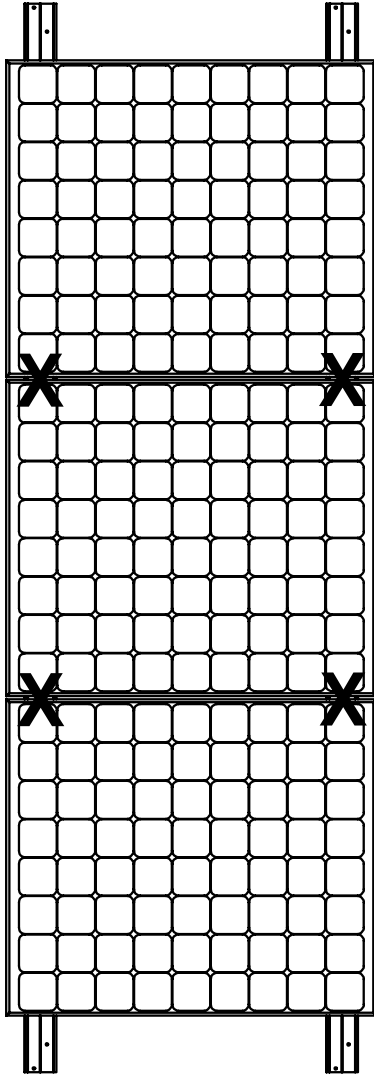


Assemble end clamp to manufacturer's specification.

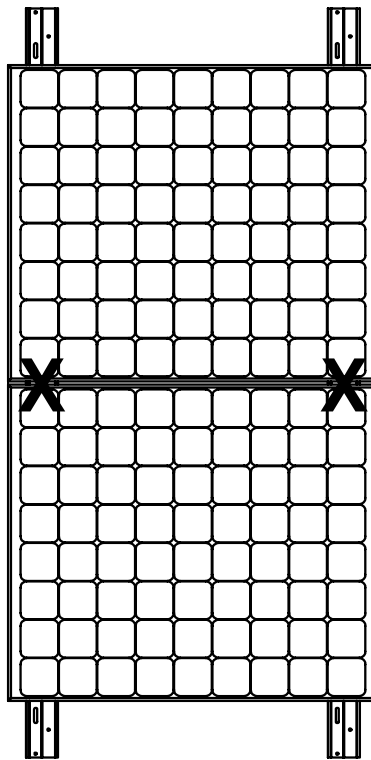
Use WEEB-PMC to bond solar module frames to module mounting rail. Torque fastener to 12ft-lbs / 16.3N-m.

WEEB-DPF & PMC LAYOUT LANDSCAPE MODULE ORIENTATION

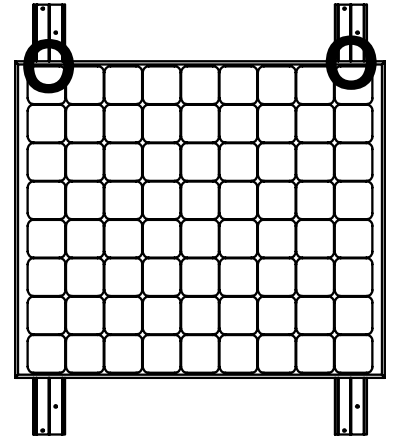
3 X 1 Module Orientation



2 X 1 Module Orientation



1 X 1 Module Orientation



X DENOTES PLACES TO INSTALL WEEB-DPF

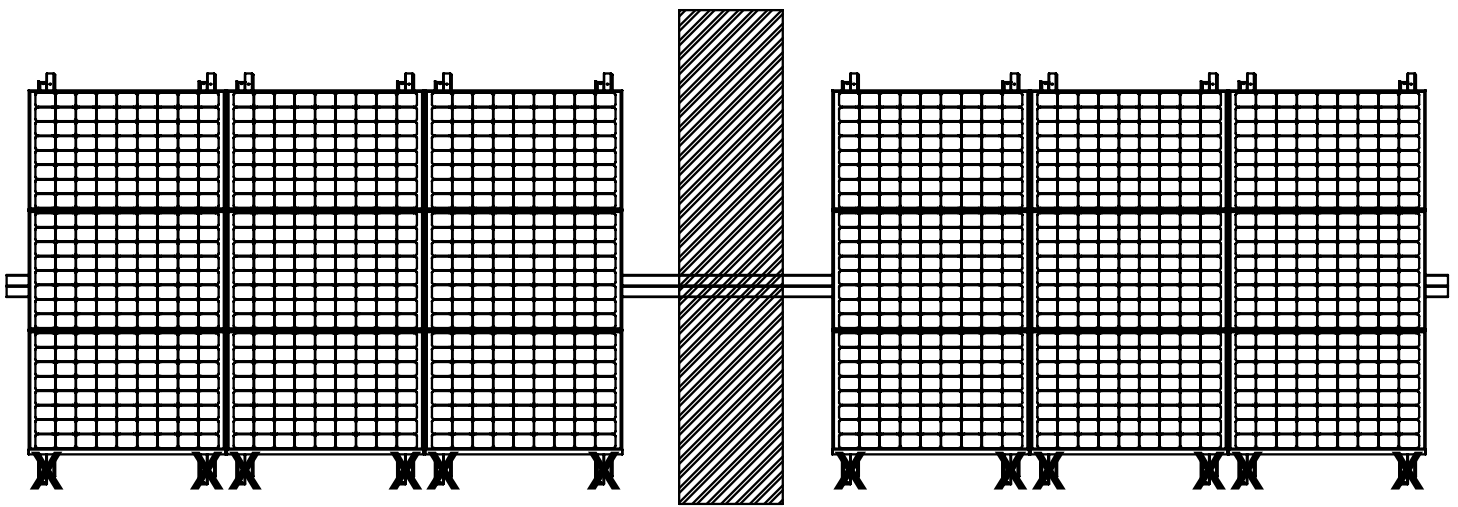
O DENOTES PLACES TO INSTALL WEEB-PMC

Note:

When replacing a single faulty module, also remove the adjacent module which contacts the same WEEB® washers as the faulty module. This will ensure that there are never ungrounded modules in the array.

WEEB-LUG-8.0 LOCATIONS

Install WEEB-LUG-8.0's at the following marked locations.
Lug position is shown for landscape configurations.



X DENOTES PLACES TO INSTALL WEEB-LUG-8.0

Customer Service Department
7 Aviation Park Drive
Londonderry, NH 03053
1-800-346-4175
1-603-647-5299 (International)