

Compression Connections

Copper Compression — Flex — One or Two Hole
Standard Barrel, Tin-Zinc Plated — Shrouded Specials

TYPE YA-LH-TZ

HYTIN-ZCLAD™

Uninsulated Copper Compression Terminal, Tin-Zinc Plated,
Shrouded Standard Length Barrel

Features & Benefits

- No inspection window is ideal for more corrosive environments as the barrel transition is not open
- Barrel is designed with an internal chamfer at the wire entry to ensure smooth insertion of the wire, preventing possible damaging of the wire strands during insertion
- Tin-Zinc plated for battery connectors or other heavy duty equipment, to reduce the corrosion from lead/acid batteries
- Connectors are clearly marked with stamping and barrel color coding
- Connectors accommodate both Flex and Code Wire. See Tables on each page for specific details.

NOTE: Field bending straight lugs to achieve an angular connection will void UL Listing / CSA Certifications and BURNDY will not be liable for the connection.

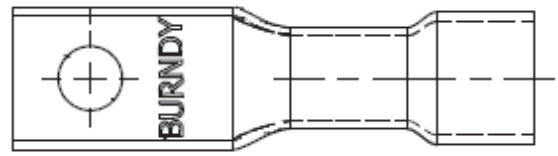


Figure 1

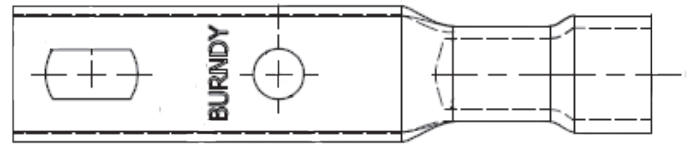


Figure 2

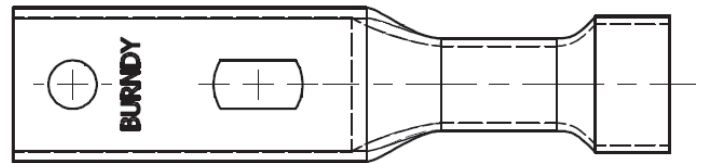
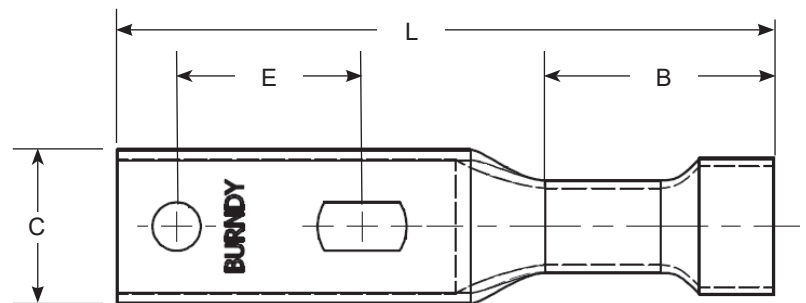
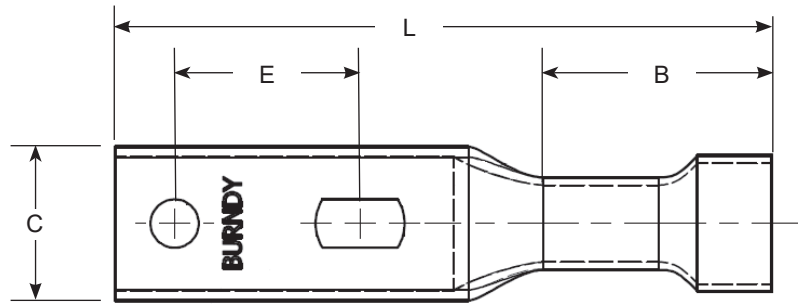


Figure 3



TYPE YA-LH-TZ (Continued)

NOTE: Field bending straight lugs to achieve an angular connection will void UL Listing / CSA Certifications and BURNDY will not be liable for the connection.



Catalog Number	Figure #	Conductor AWG/ KCMIL	Stud Hole Size	Hole Spacing	Tongue Width	Figure Dimensions			Installation Tooling (# of crimps)			Wire Strip Length
						(B)	(T)	(L)	35, 750, 46* Series	Color Code	Die Index	
YA27LH77TZ	1	1/0 AWG 3325/34	3/8	—	0.93	1.55	0.13	3.38	U26RT (1)	Black	13	13/16
YA282LH82TZ	2	3/0 STR 4256/34	3/8	1.53	1.04	1.61	0.14	5.20	U27RT (1)	Orange	14	15/16
YA292LH99TZ	2	4/0 AWG 5230/34	3/8	1.75	1.10	1.94	0.16	5.50	U28RT (1)	Purple	15	1-1/8
YA292LH75TZ	2	4/0 AWG 5320/34	3/8	1.53	1.09	1.94	0.16	5.50	U28RT (1)	Purple	15	1-1/8
YA312LH80TZG1	3	250 kcmil Flex	3/8	1.53	1.29	1.93	0.18	5.50	U31D1 (nest) Y34PR-2 (indenter) (1)	—	1025	1-1/8

* Use PUADP-1 adapter with U dies in 46 Series of tools

*** The MM² conductor sizes listed are the recommendations for Class 5 conductor.

◆ For applications greater than 2000 Volts consult cable manufacturer for voltage stress relief instructions.

Note: All dimensions shown are for reference only.