

VERSIPOLE™

Double-Wide, Box-to-Stud, and Stud-to-Stud Styles

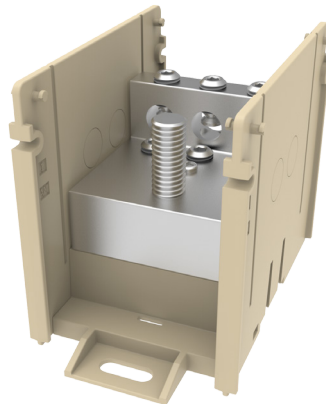
These styles offer additional splicing and tapping options over the standard Open and Finger-Safe styles.



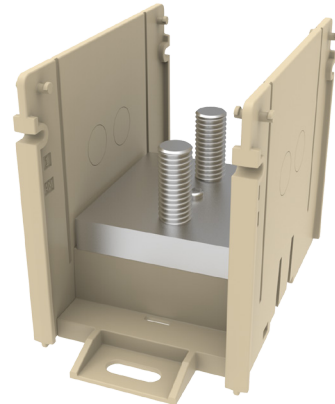
Double-Wide

Features & Benefits

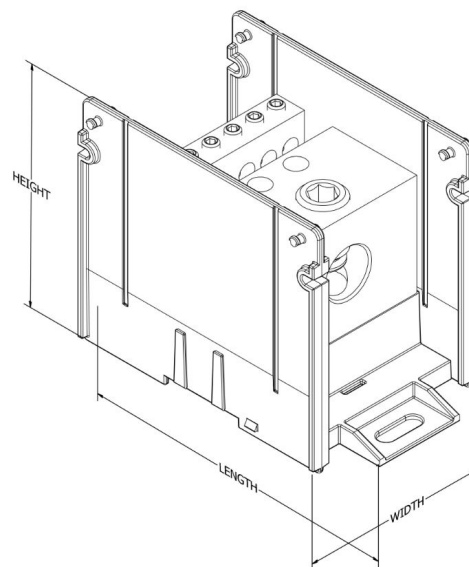
- 600 Volt Rated
- Listed to UL1953
- Rated for use with code and flex conductor without requiring ferrules
- AL9CU dual rated for use with copper and aluminum conductors
- Range taking conductor ports can accommodate wire sizes up to 535 DLO and can support up to 5 run conductors and up to 24 tap conductors
- High Short-Circuit Current Rating up to 100kA with proper fusing



Box-to-Stud

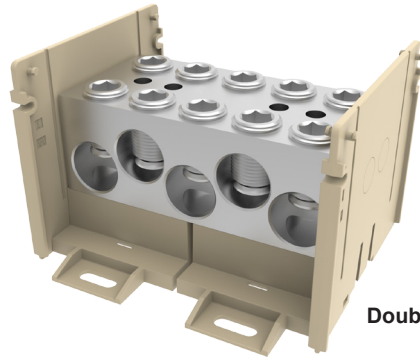


Stud-to-Stud



VERSIPOLE™

(Continued)

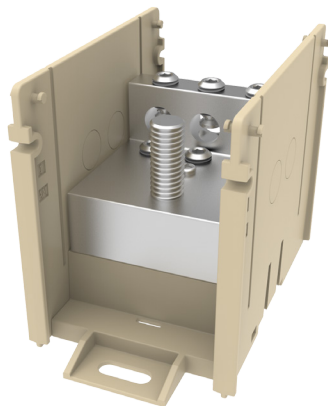


Double-Wide

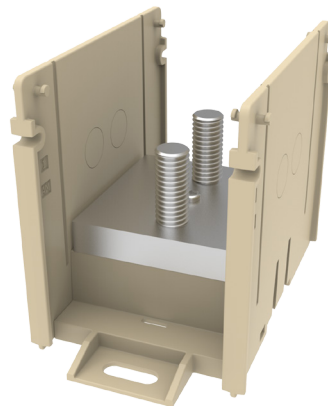
Double-Wide Series:

Catalog Number	# of Conductors		Wire Range		# of Poles	Dimensions			Amp Rating per Pole	SCCR ¹
	Run	Tap	Run	Tap		W	D	H		
BDBLCS7X1DW	5	5	#4 - 500	#4 - 500	1	6.17	5.54	4.12	1720	100kA
BDBLCS7R1DW	5	8	#4 - 500	#6 - 4/0	1	6.17	5.54	4.12	1456	100kA
BDBLCS7K1DW	5	12	#4 - 500	#14 - 2/0	1	6.17	5.54	4.12	1170	100kA
BDBLCS7A1DW	5	24	#4 - 500	#14 - #4	1	6.17	5.54	4.12	1026	100kA

¹ Short-Circuit Current Rating with proper fusing



Box-to-Stud



Stud-to-Stud

Box-to-Stud and Stud-to-Stud Series:

Catalog Number	# of Conductors		Wire Range		# of Poles	Dimensions			Amp Rating per Pole	SCCR ¹
	Run	Tap	Run	Tap		W	D	H		
BDBSCS1S1S1	1/4" Ø stud	1/4" Ø stud	—	—	1	1.34	2.76	5.56	175	100kA
BDBMCS3S3S1	3/8" Ø stud	3/8" Ø stud	—	—	1	2.09	4.52	3.70	350	100kA
BDBMCS3SM1	3/8" Ø stud	4	—	#14 - 2/0	1	2.09	4.52	3.70	350	100kA
BDBMCS3SF1	3/8" Ø stud	6	—	#14 - #2	1	2.09	4.52	3.70	350	100kA
BDBLCS5S5S1	1/2" Ø stud	1/2" Ø stud	—	—	1	3.25	5.54	4.12	620	100kA
BDBLCS5SK1	1/2" Ø stud	6	—	#14 - 2/0	1	3.25	5.54	4.12	380	100kA
BDBLCS5SA1	1/2" Ø stud	12	—	#14 - #4	1	3.25	5.54	4.12	310	100kA

¹ Short-Circuit Current Rating with proper fusing