

Catalog Number	FLAME RETARDANT CLEAR COVER CATALOG NO.	FLAME RETARDANT BLACK COVER CATALOG NO.	Fig	Color Code Die Index	Dimensions			Wire Strip Length	Hydraulic Tools - Dies Required (# Crimps)		Cover Catalog Number	
					Height (H)	Width (W)	Length (L)		750, 35 Series	46 Series Use PUADP1 with U Dies	Clear Cover	Black Cover
YH4444	YH4444WCC	YH4444WC	1	White 1102	3.38	1.70	1.00	1-1/4	-	P1102 (1)	CCFR-FR	CFR-FR
YH4434	YH4434WCC	YH4434WC	6	Yellow KR	3.50	1.70	1.00	1-3/8	-	PYFR (1)	CCFR-FR	CFR-FR
YH4429	YH4429WCC	YH4429WC	5	Yellow KR	3.22	1.70	1.00	1-3/8	-	PYFR (1)	CCFR-FR	CFR-FR
YH3939	YH3939WCC	YH3939WC	1	Yellow KR	2.97	1.50	1.25	1-3/8	-	PYFR (1)	CCFR-FR	CFR-FR
YH3931	YH3931WCC	YH3931WC	2	Yellow KR	2.97	1.50	0.95	1-1/16	-	PYFR (1)	CCFR-FR	CFR-FR
YH3434	YH3434WCC	YH3434WC	1	Brown 1104	2.43	1.15	1.00	1-1/8	U1104M (1) U1104 (2)	P1104 (1) U1104M (1)	CCFN-FR	CFN-FR
YH3429	YH3429WCC	YH3429WC	2	Brown 1104	2.43	1.31	1.00	1-1/8	U1104M (1) U1104 (2)	P1104 (1) U1104M (1)	CCFN-FR	CFN-FR
YH2929	YH2929WCC	YH2929WC	1	Purple 654	1.85	0.90	0.90	1-1/16	U654 (1)	U654 (1) P654 (1)	CCFDX-FR	CFD-FR
YH292C	YH292CWCC	YH292WC	3	Purple 654	1.52	0.90	0.90	1-1/16	U654 (1)	U654 (1) P654 (1)	CCFD-FR	CFD-FR
YH298C	YH298CWCC	YH298CWC	3	Purple 654	1.52	0.90	0.90	1-1/16	U654 (1)	U654 (1) P654 (1)	CCFD-FR	CFD-FR
YH2C2C	YH2C2CWCC	YH2C2CWC	4	Brown C	1.25	0.60	0.75	7/8	UC (1)	UC (1)	CCFO-FR	CFO-FR
YH6C6C	YH6C6CWCC	YH6C6CWC	1	Orange BG	0.81	0.39	0.60	3/4	UBGRT (1)	UBGRT (1)	CCFBG-FR	CFBG-FR
YH8C8C	YH8C8CWCC	YH8C8CWC	4	Green 11	0.63	0.40	0.60	3/4	U11T1 (1)	U11T1 (1)	CCFBG-FR	CFBG-FR

REV	DATE	DESCRIPTION	ECO	BY	CHK.
K	10/29/2021	UPDATED AS PER MARKUP	211029013899	RA	YR

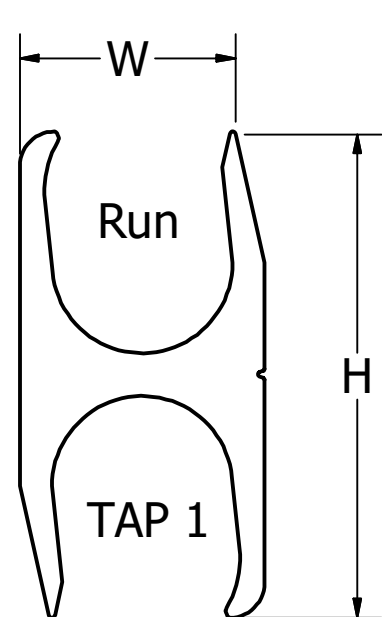
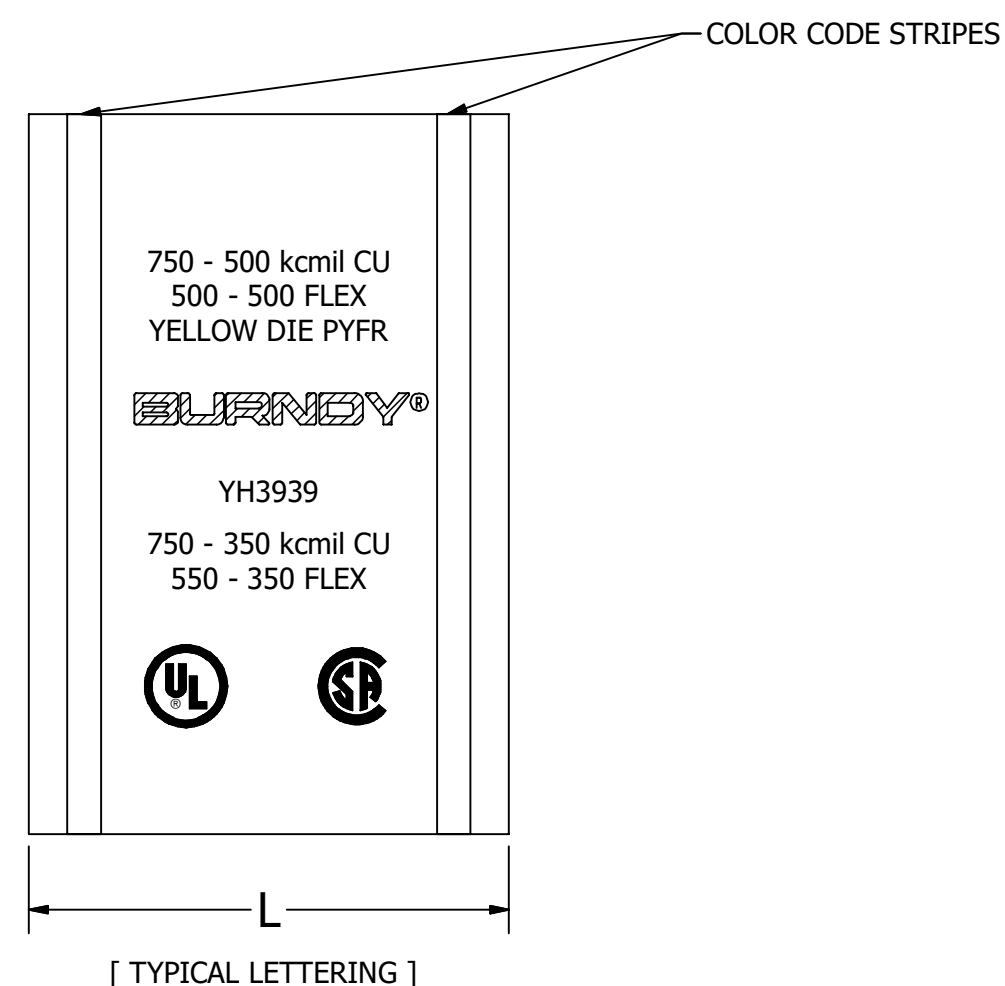


FIG 1

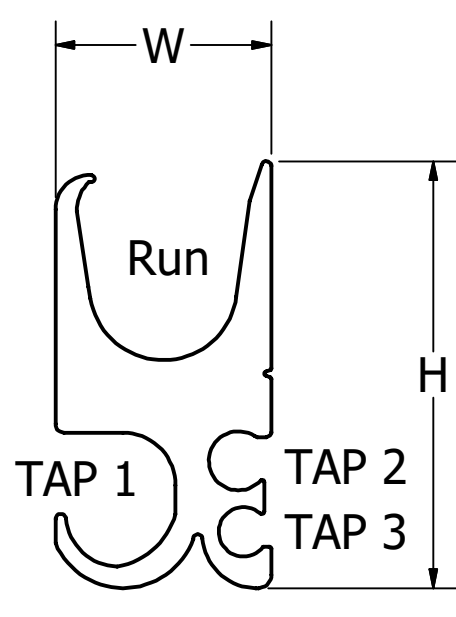


FIG 2

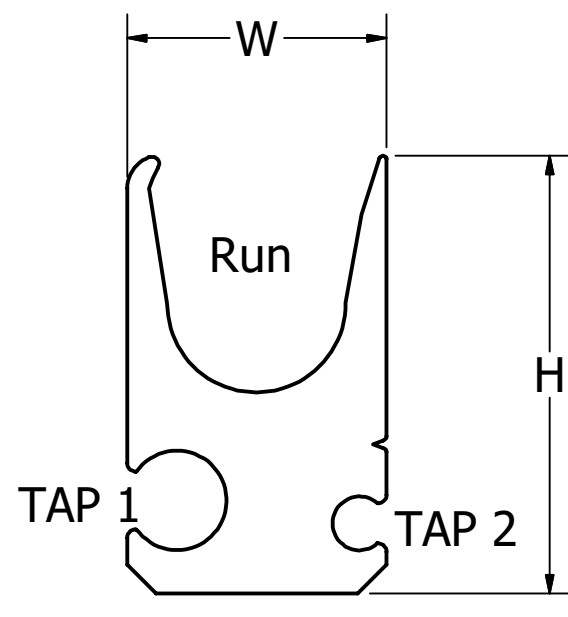


FIG 3

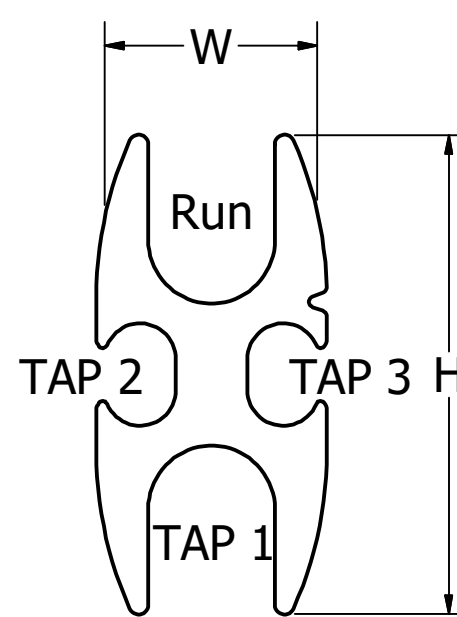


FIG 4

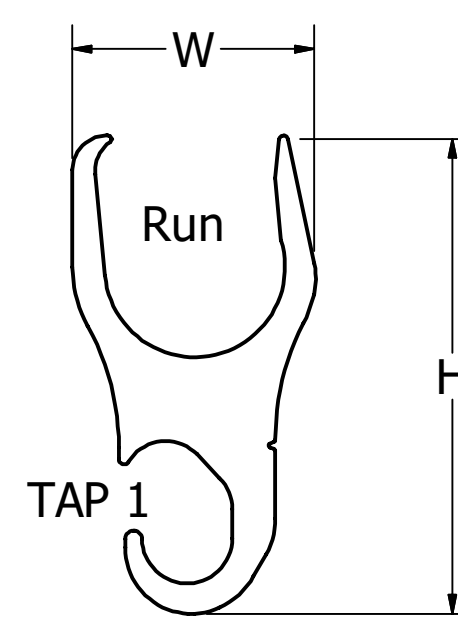


FIG 5

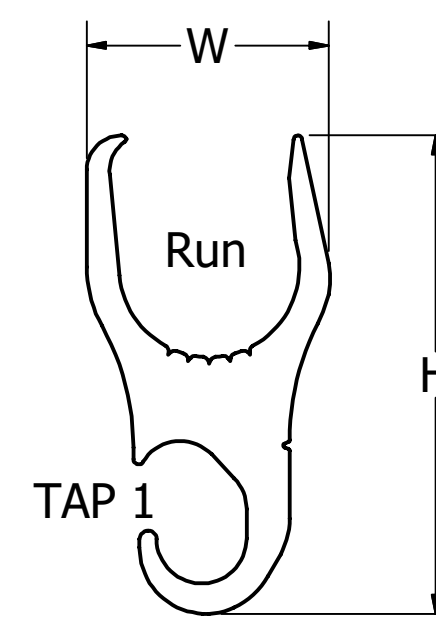


FIG 6

NOTES:

1. MATERIAL: COPPER
FINISH: TIN PLATE
2. FOR USE WITH COPPER OR TIN PLATED COPPER CONDUCTORS ONLY.
3. UL LISTED AND CSA CERTIFIED WIRE CONNECTORS.
SEE SHEET 3 FOR CATALOG NUMBERS THAT HAVE GROUNDING AND BONDING RATING.
4. RECOMMENDED CONDUCTOR STRIP LENGTH (CONNECTOR LENGTH + 1/8" MAX), CONNECTOR LENGTH SHOWN BY DIMENSION "L"
5. ANY SINGLE TAP OR COMBINATION OF TAPS MAY BE USED.
6. MAX CORD IS ATTACHED TO EACH CONNECTOR TO ASSIST IN SECURING CONNECTORS PRIOR TO COMPRESSION.
7. USE CFN - FR OR CCFN - FR FOR SINGLE TAP INSTALLATION. USE CFR - FR WHEN 2 OR MORE TAP CONDUCTORS ARE INSTALLED.
8. TO ORDER CONNECTOR AND COVER SET, ADD SUFFIX "-WC" TO CONNECTOR CAT NUMBER.
9. IF HIGHEST REVISION OF THIS SALES PRINT IS AFFECTED,
UPDATE PRINT WSA208758 TO INCLUDE THE NEW REVISION
10. DIMENSIONS IN BRACKETS [] ARE IN MILLIMETERS ROUNDED OFF TO THE NEAREST MILLIMETER, UNLESS OTHERWISE SPECIFIED AND ARE FOR REFERENCE ONLY.

11. NO "CSA" CERTIFICATION.

TO ORDER BURNDY® PRODUCTS CALL

UNITED STATES
1-800-346-4175 (LONDONDERRY, NH)

CANADA:
1-800-361-6975 (QUEBEC)
1-800-387-6487 (ALL OTHER PROVINCES)

FOR PRODUCT INFO: <http://www.burndy.com>

'H' SHAPE COPPER TAP

ITEM NO: - - -

CAT. NO: [SEE TABLE]

DRAWN BY: R.ANNAN 12/28/1990

CHECKER: T.NELSON 2/21/1991

DSN APRVL: G.SCHRADER 12/28/1990

MFG APRVL: J.RUDD 2/21/1991

QA APRVL: F.RUMFELT 12/30/1990

MKT APRVL: --

PROD FAM: --

PROJECT #: --

DOCUMENT TYPE: SALES

REL LEVEL: Released



DRAWING NO

SD206566-01

SHEET 1 OF 3

REV

K

SIZE

C

Catalog Number	Fig	Conductor Sizes				Metric Conductor Sizes (mm2)			
		Main (Run)	Tap 1	Tap 2	Tap 3	Main (Run)	Tap 1	Tap 2	Tap 3
YH4444	1	1000-750 kcmil Class B,C 777-535 kcmil DLO 750-500 kcmil Class I	1000-750 kcmil Class B,C 777-535 kcmil DLO 750-350 kcmil Class I	NA	NA	508-380 mm2 Class 2 393-253 mm2 Class 5	508-380 mm2 Class 2 393-177 mm2 Class 5	NA	NA
YH4434	6	1000-750 kcmil Class B,C 777-535 kcmil DLO 750-500 kcmil Class I	500-350 kcmil Class B,C 350 kcmil Class I,K	NA	NA	508-380 mm2 Class 2 393-253 mm2 Class 5	253-177 mm2 Class 2 177 mm2 Class 5	NA	NA
YH4429	5	1000-750 kcmil Class B,C 777-535 kcmil DLO 750-500 kcmil Class I	250 kcmil - 2 AWG Class B,C 4/0 - 2 AWG Class I, DLO	NA	NA	508-380 mm2 Class 2 393-253 mm2 Class 5	127-33.6 mm2 Class 2 107-33.6 mm2 Class 5	NA	NA
YH3939	1	750 - 500 kcmil B,C 535-444 kcmil DLO 550-450 kcmil Class I	750-350 kcmil B,C 535-313 kcmil DLO 550-350 kcmil Class I	NA	NA	380-253 mm2 Class 2 278-223 mm2 Class 5	380-177 mm2 Class 2 278-159 mm2 Class 5	NA	NA
YH3931	2	750-350 kcmil B,C 535 kcmil DLO 550 - 500 kcmil Class I	4/0-1/0 AWG Class B,C 250 kcmil - 1/0 AWG Class I, DLO 4/0 AWG Class K	1-6 AWG Solid 1-6 AWG Class B,C 1-8 AWG Class I,DLO	2-14 AWG Class B,C 2-14 AWG Class I,DLO	380-177 mm2 Class 2 278-253 mm2 Class 5	107-53.5 mm2 Class 2 127-53.5 mm2 Class 5	42.4-13.3 mm2 Class 1 42.4-13.3 mm2 Class 2 42.4-8.4 mm2 Class 5	33.6-2.1 mm2 Class 2 33.6-2.1 mm2 Class 5
YH3434	1	500-250 kcmil Class B,C 373 kcmil - 4/0 AWG DLO 350 kcmil - 4/0 AWG Class I	500 kcmil - 4/0 AWG Class B,C 373 kcmil - 4/0 AWG DLO 350 kcmil - 4/0 AWG Class I	NA	NA	253-127 mm2 Class 2 189-107 mm2 Class 5	253-107 mm2 Class 2 189-107 mm2 Class 5	NA	NA
YH3429	2	500 kcmil - 4/0 AWG Class B,C 373 kcmil - 4/0 AWG DLO 350 kcmil - 4/0 AWG Class I 4/0 AWG Class K	250 kcmil - 1/0 AWG Class B,C 4/0-1/0 AWG Class I, DLO 4/0 AWG Class K	1-6 AWG Solid 1-6 AWG Class B,C 1-8 AWG Class I,DLO 8 AWG Class K	8-14 AWG Class B,C 8-14 AWG Class I,DLO 8 AWG Class K	253-107 mm2 Class 2 189-107 mm2 Class 5	127-53.5 mm2 Class 2 107-53.5 mm2 Class 5	42.4-13.3 mm2 Class 1 42.4-13.3 mm2 Class 2 42.7-8.4 mm2 Class 5	8.4-2.1 mm2 Class 2 8.4-2.1 mm2 Class 5
YH2929	1	250 kcmil - 2 AWG Class B,C 4/0-2 AWG Class I, DLO	250 kcmil - 2 AWG Class B,C 4/0-2 AWG Class I, DLO	NA	NA	127-33.6 mm2 Class 2 107-33.6 mm2 Class 5	127-33.6 mm2 Class 2 107-33.6 mm2 Class 5	NA	NA
YH292C	3	250 kcmil - 2 AWG Class B,C 4/0-2 AWG Class I, DLO	2-6 AWG Sol 2-6 AWG Class B,C 2-8 AWG Class I, DLO	8-14 AWG Class B,C 8-14 AWG Class I,DLO	NA	127-33.6 mm2 Class 2 107-33.6 mm2 Class 5	33.6-13.3 mm2 Class 1 33.6-13.3 mm2 Class 2 33.6-8.4 mm2 Class 5	8.4-2.1 mm2 Class 2 8.4-2.1 mm2 Class 5	NA
YH298C	3	250 kcmil - 2 AWG Class B,C 4/0-2 AWG Class I, DLO	8-14 AWG Class B,C 8-14 AWG Class G,H,I,DLO 8 AWG Class K	8-14 AWG Class B,C 8-14 AWG Class G,H,I,DLO 8 AWG Class K	NA	127-33.6 mm2 Class 2 107-33.6 mm2 Class 5	8.4-2.1 mm2 Class 2 8.4-2.1 mm2 Class 5	8.4-2.1 mm2 Class 2 8.4-2.1 mm2 Class 5	NA
YH2C2C	4	2-6 AWG Solid 2-6 AWG Class B,C 2-6 AWG Class G,HI,DLO 8 AWG Class I,K, DLO	2-6 AWG Solid 2-6 AWG Class B,C 2-6 AWG Class G,HI,DLO 8 AWG Class I,K, DLO	8-14 AWG Class B,C 8-14 AWG Class G,H,I,DLO 8 AWG Class K	8-14 AWG Class B,C 8-14 AWG Class G,H,I,DLO 8 AWG Class K	33.6-13.3 mm2 Class 1 33.6-13.3 mm2 Class 2 33.6-8.4 mm2 Class 5	33.6-13.3 mm2 Class 1 33.6-13.3 mm2 Class 2 33.6-8.4 mm2 Class 5	8.4-2.1 mm2 Class 2 8.4-2.1 mm2 Class 5	8.4-2.1 mm2 Class 2 8.4-2.1 mm2 Class 5
YH6C6C	1	6-10 AWG Class B,C 6-10 AWG Class I,DLO	6-14 AWG Class B,C 6-14 AWG Class I,DLO	NA	NA	13.3-5.3 mm2 Class 2 13.3-5.3 mm2 Class 5	13.3-5.3 mm2 Class 2 13.3-5.3 mm2 Class 5	NA	NA
YH8C8C	4	8-14 AWG Class B,C 8-14 AWG Class I,DLO	8-14 AWG Class B,C 8-14 AWG Class I,DLO	NA	NA	8.4-2.1 mm2 Class 2 8.4-2.1 mm2 Class 5	8.4-2.1 mm2 Class 2 8.4-2.1 mm2 Class 5	NA	NA

REV	DATE	DESCRIPTION	ECO	BY	CH'K.
K	10/29/2021	UPDATED AS PER MARKUP	211029013899	RA	YR

NOTES:

1. H-TAPS ON THIS SHEET ARE UL LISTED AND CSA CERTIFIED WIRE CONNECTORS.

TO ORDER BURNDY® PRODUCTS CALL
 UNITED STATES
 1-800-346-4175 (LONDONDERRY, NH)
 CANADA:
 1-800-361-6975 (QUEBEC)
 1-800-387-6487 (ALL OTHER PROVINCES)
 FOR PRODUCT INFO: <http://www.burndy.com>

'H' SHAPE COPPER TAP

ITEM NO: - - -	
CAT. NO: [SEE TABLE]	
DRAWN BY: R.ANNAN	12/28/1990
CHECKER: T.NELSON	2/21/1991
DSN APRVL: G.SCHRADER	12/28/1990
MFG APRVL: J.RUDD	2/21/1991
QA APRVL: F.RUMFELT	12/30/1990
MKT APRVL: --	
PROD FAM: --	
PROJECT #: --	SIZE
DOCUMENT TYPE: SALES	C
REL LEVEL: Released	
DRAWING NO	REV
SD206566-01	K
SHEET 2 OF 3	



Catalog Number	Fig	Conductor Sizes Code (Class B,C) & Flex Wire (Class G,H,I,K,M,DLO)				Copper Metric Conductor Sizes (mm2)			
		Main (Run)	Tap 1	Tap 2	Tap 3	Main (Run)	Tap 1	Tap 2	Tap 3
YH2929	1	250 kcmil - 2 AWG Class B,C 4/0-2 AWG Class I, DLO	250 kcmil - 2 AWG Class B,C 4/0-2 AWG Class I, DLO	NA	NA	127-33.6 mm2 Class 2 107-33.6 mm2 Class 5	127-33.6 mm2 Class 2 107-33.6 mm2 Class 5	NA	NA
YH292C	3	250 kcmil - 2 AWG Class B,C 4/0-2 AWG Class I, DLO	2-6 AWG Sol. 2-6 AWG Class B,C 2-8 AWG Class I, DLO	8-14 AWG Class B,C 8-14 AWG Class I,DLO	NA	127-33.6 mm2 Class 2 107-33.6 mm2 Class 5	33.6-13.3 mm2 Class 1 33.6-13.3 mm2 Class 2 33.6-8.4 mm2 Class 5	8.4-2.1 mm2 Class 2 8.4-2.1 mm2 Class 5	NA
YH298C	3	250 kcmil - 2 AWG Class B,C 4/0-2 AWG Class I, DLO	8-14 AWG Class B,C 8-14 AWG Class G,H,I,DLO 8 AWG Class K	8-14 AWG Class B,C 8-14 AWG Class G,H,I,DLO 8 AWG Class K	NA	127-33.6 mm2 Class 2 107-33.6 mm2 Class 5	8.4-2.1 mm2 Class 2 8.4-2.1 mm2 Class 5	8.4-2.1 mm2 Class 2 8.4-2.1 mm2 Class 5	NA
YH2C2C	4	2-6 AWG Solid 2-6 AWG Class B,C 2-6 AWG Class G,HI,DLO 8 AWG Class I,K, DLO	2-6 AWG Solid 2-6 AWG Class B,C 2-6 AWG Class G,HI,DLO 8 AWG Class I,K, DLO	8-14 AWG Class B,C 8-14 AWG Class G,H,I,DLO 8 AWG Class K	8-14 AWG Class B,C 8-14 AWG Class G,H,I,DLO 8 AWG Class K	33.6-13.3 mm2 Class 1 33.6-13.3 mm2 Class 2 33.6-8.4 mm2 Class 5	33.6-13.3 mm2 Class 1 33.6-13.3 mm2 Class 2 33.6-8.4 mm2 Class 5	8.4-2.1 mm2 Class 2 8.4-2.1 mm2 Class 5	8.4-2.1 mm2 Class 2 8.4-2.1 mm2 Class 5
YH6C6C	1	6-10 AWG Class B,C 6-10 AWG Class I,DLO	6-14 AWG Class B,C 6-14 AWG Class I,DLO	NA	NA	13.3-5.3 mm2 Class 2 13.3-5.3 mm2 Class 5	13.3-5.3 mm2 Class 2 13.3-5.3 mm2 Class 5	NA	NA
YH8C8C	4	8-14 AWG Class B,C 8-14 AWG Class I,DLO	8-14 AWG Class B,C 8-14 AWG Class I,DLO	NA	NA	8.4-2.1 mm2 Class 2 8.4-2.1 mm2 Class 5	8.4-2.1 mm2 Class 2 8.4-2.1 mm2 Class 5	NA	NA

REV	DATE	DESCRIPTION	ECO	BY	C'H'K.
K	10/29/2021	UPDATED AS PER MARKUP	211029013899	RA	YR

NOTES:

- H-TAPS ON THIS SHEET ARE UL LISTED AND CSA CERTIFIED WIRE CONNECTORS AND LISTED FOR GROUNDING AND BONDING WITH A DIRECT BURIAL RATING.

TO ORDER BURNDY® PRODUCTS CALL
 UNITED STATES
 1-800-346-4175 (LONDONDERRY, NH)

CANADA:
 1-800-361-6975 (QUEBEC)
 1-800-387-6487 (ALL OTHER PROVINCES)

FOR PRODUCT INFO: <http://www.burndy.com>

'H' SHAPE COPPER TAP

ITEM NO: - - -

CAT. NO: [SEE TABLE]

DRAWN BY:	R.ANNAN	12/28/1990
CHECKER:	T.NELSON	2/21/1991
DSN APRVL:	G.SCHRADER	12/28/1990
MFG APRVL:	J.RUDD	2/21/1991
QA APRVL:	F.RUMFELT	12/30/1990



MKT APRVL:	--		
PROD FAM:	--		
PROJECT #:	--	SIZE	DRAWING NO
DOCUMENT TYPE:	SALES	C	SD206566-01
REL LEVEL:	Released		SHEET 3 OF 3
			K