

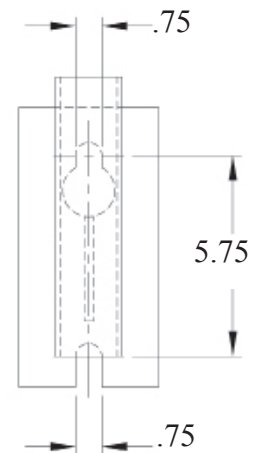
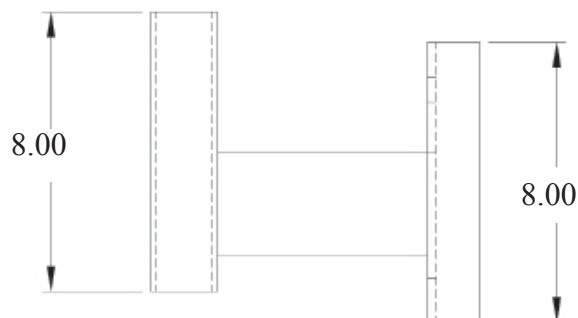
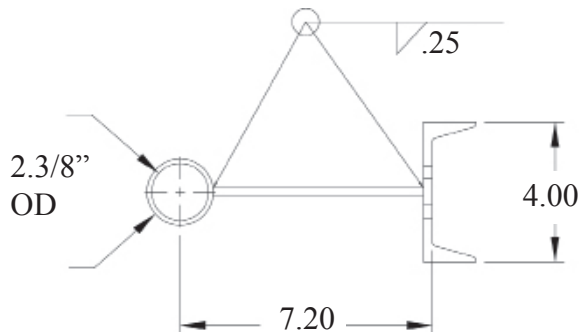
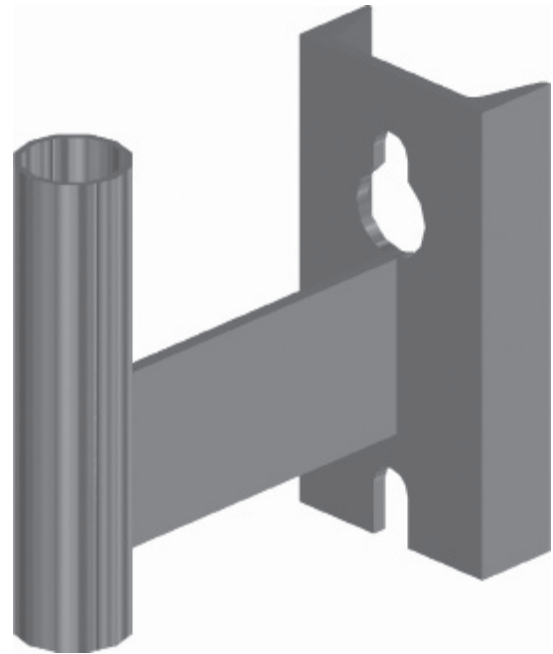
# ANTENNA BRACKET

## BAAB-6

**BAAB-6:** Bracket extends 6' from pole.

**Material:** Aluminum

**Application:** The antenna bracket is designed for mounting to a pole or flat surface with bolts or stainless steel banding. It has 2 3/8" OD pipe for mounting antenna to bracket.



# LAPTOP COMPUTER DESK



The laptop computer desk is designed to hold a laptop computer while reading the meter in the field. (Computer not included).

Material: .090 aluminum

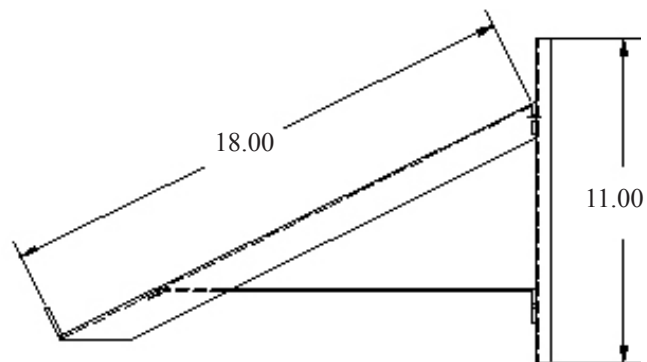
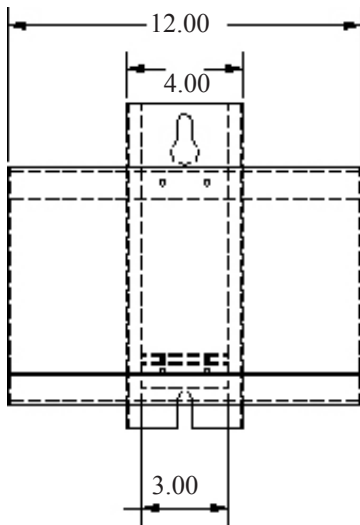


## **BALTPC1218PM:**

The Pole Mounted Computer Desk has a channel, which is pre-punched with a keyhole on the top and a slot on the bottom for mounting to poles or flat surfaces with lag bolts. Once bolts are set into the surface, the meter reader each will slip the keyhole and slots over existing bolts. Folds up for easy transport or storage.

## **BALTPC1218BM:**

The Bucket Mounted Computer Desk has a bracket to hook over the side of a bucket (not shown).



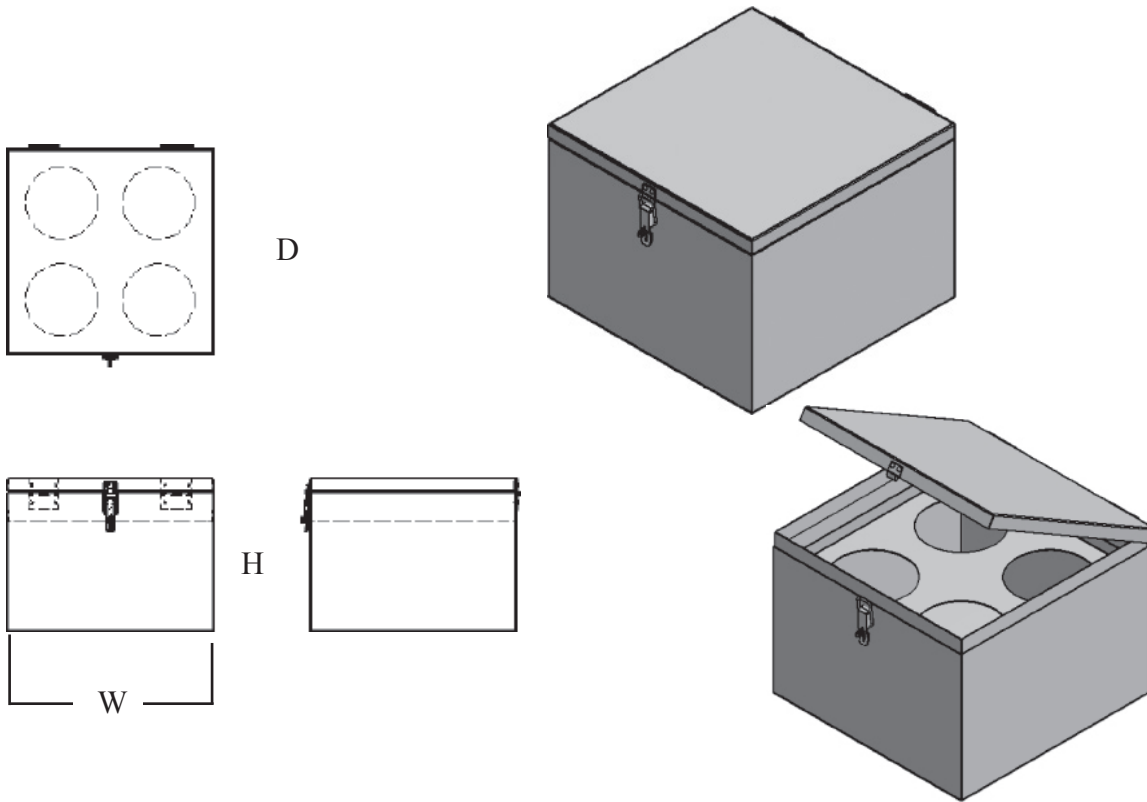
## POLE TOP CAPS



Helps to protect the integrity of wood poles from rain damage/deterioration.

Catalog Number	Description	Material
BAPC8SQ	8" Square Pole Top Cap	.025 Aluminum
BAPC10SQ	10" Square Pole Top Cap	.025 Aluminum
BAPC12SQ	12" Square Pole Top Cap	.025 Aluminum
BAPC15SQ	15" Square Pole Top Cap	.025 Aluminum
BAPC17SQ	17" Square Pole Top Cap	.025 Aluminum
BAPC8R	8" Round Pole Top Cap	.025 Aluminum
BAPC10R	10" Round Pole Top Cap	.025 Aluminum
BAPC12R	12" Round Pole Top Cap	.025 Aluminum
BAPC15R	15" Round Pole Top Cap	.025 Aluminum
BAPC17R	17" Round Pole Top Cap	.025 Aluminum

# RAIN PROTECTED METER CARRIERS



Single or Three-Phase				
Catalog Number	D	W	H	Description
BA181717PMC8	18"	17"	17"	Holds 8 Solid State Meters

Single-Phase				
Catalog Number	D	W	H	Description
BA71717SMC4	7"	17"	17"	Holds 4 Single-Phase Meters
BA131717SMC8	13"	17"	17"	Holds 8 Single-Phase Meters

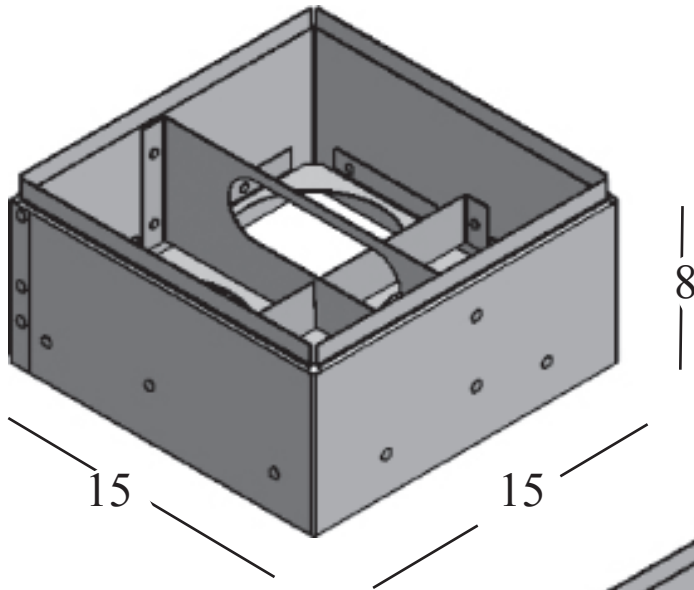
Three-Phase				
Catalog Number	D	W	H	Description
BA12917PMC2	12"	9"	17"	Holds 2 Mechanical Meters
BA121717PMC4	12"	17"	17"	Holds 4 Mechanical Meters

Rain-Tight Carrying Cases are available in four designs to accommodate any socket type meter transporting requirements. They are constructed of .063 aluminum and have stainless steel hinges and heavy-duty pull-down catches for padlocking or sealing. All carriers are equipped with hinged lids and shock absorbing pads on the top and meter trays). All seams are welded.

Many utilities fasten the meter carrying case to the truck bed for security purposes.

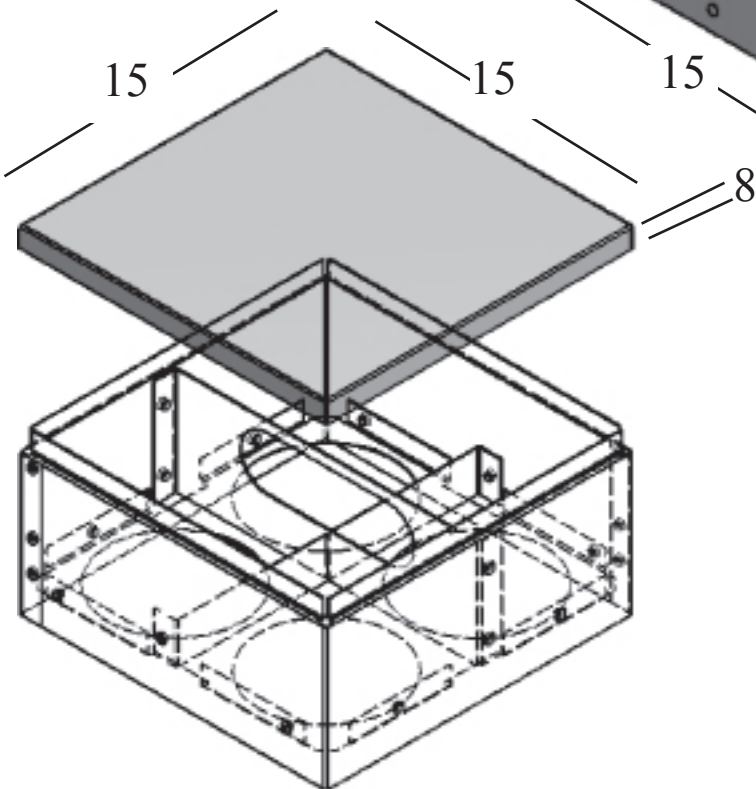
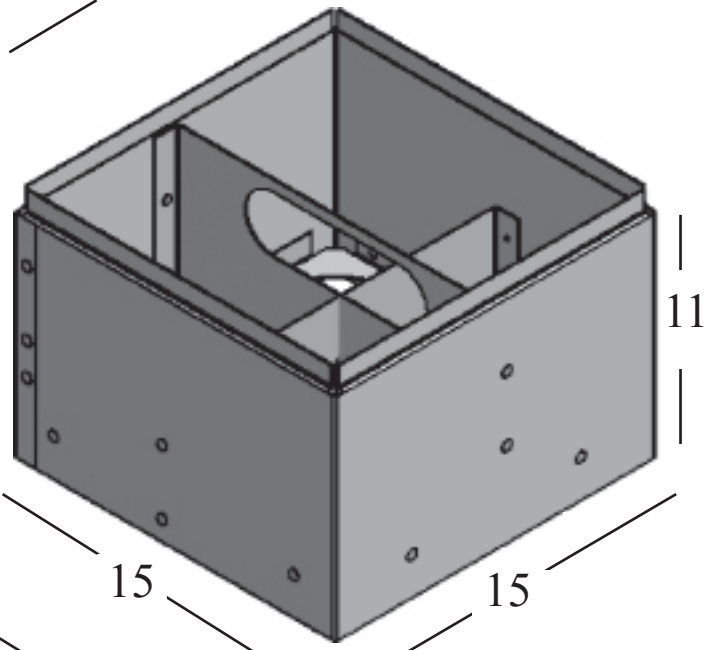
**RAIN PROTECTED METER CARRIERS**

Meter Carrier  
4 Meters Stackable



**BAMC-8**

**BAMC-11**



**BAMC-8-11**

METER CARRIER COVER  
FOR BAMC-8 & BAMC-11