

CMC[®] Style Guide



www.cmclugs.com | 513-860-4455



Connector Manufacturing Company Style Guide



www.cmclugs.com | 513-860-4455



The Connector Manufacturing Company (CMC®) Brand

To foster and reinforce company values throughout all our communications, Connector Manufacturing Company has developed this business unit style guide. You will be held accountable to ensure that all materials produced or disseminated by Connector Manufacturing Company should follow the guidelines outlined here.

Questions?

Contact Tracey Vest, Marketing Coordinator, at tvest@cmclugs.com.



www.cmclugs.com | 513-860-4455

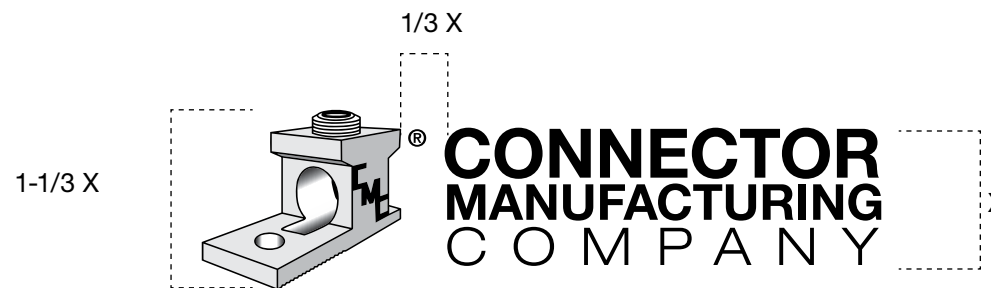


CMC[®]

Anatomy: The signature is the complete brand identity mark.
It consists of the logotype and symbol.



Positioning

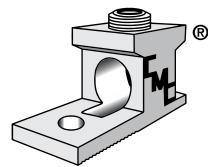


www.cmclugs.com | 513-860-4455



CMC[®]

Logo Usage: Logo is always used in black/gray/white format.



**CONNECTOR
MANUFACTURING
C O M P A N Y**

_____ Helvetica Neue - Bold

_____ Helvetica Neue - Bold

_____ Helvetica Neue - Light Extended



www.cmclugs.com | 513-860-4455



CMC®

Logo Misuse: Do not distort the CMC® logo in any way.

No Horizontal Scaling



No Vertical Scaling



No Outlining



Do Not Set at an Angle



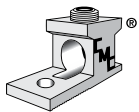
Do Not Change Color



Do Not Change Size of Elements



Do Not Separate Elements



Do Not Change Color



www.cmclugs.com | 513-860-4455



CMC[®]

CMC[®] Footer: On white or black field. Occasionally on a CMC[®] blue field.



www.cmclugs.com | 513-860-4455



www.cmclugs.com | 513-860-4455



www.cmclugs.com | 513-860-4455





Font Families

The Helvetica Neue font family is preferred for all marketing applications. The Arial font family is also acceptable and is used for internal documents and in online applications.

Helvetica Neue

Helvetica Neue Condensed

Arial

Arial Narrow



www.cmclugs.com | 513-860-4455



CMC[®]

Color Palette

**Connector Manufacturing
Company (CMC)**



PMS 286 PC

C - 100

M - 75

Y - 0

K - 0

R - 0

G - 51

B - 160

RICH BLACK



C - 40

M - 30

Y - 30

K - 100

R - 0

G - 0

B - 0



www.cmclugs.com | 513-860-4455





Trademark Usage

- CMC® can be used when referring to the company, Connector Manufacturing Company.
- CMC® is always capitalized in all uses
 - Possessive form is not permitted
- When preceding the name of a product CMC makes or a generic term in place of products CMC makes, include the ® mark after CMC
 - CMC® ROTO-LUG®
 - CMC® lugs and connectors
- When referring to the company itself, no ® follows CMC
 - The exception is in the logo where an ® always follows CMC



www.cmclugs.com | 513-860-4455



- If an ® is required, it is recommended to be used for all references, not only the first reference. The exception is if repeated use distracts from the marketing/advertising message. If in doubt, err on the side of over-protection and use the ®
 - For a list of specific trademarked terms, see the CMC-Held Trademarks section
 - In general, ® terms cannot be used as nouns or verbs; they are adjectives. Avoid the possessive or plural forms of trademarks



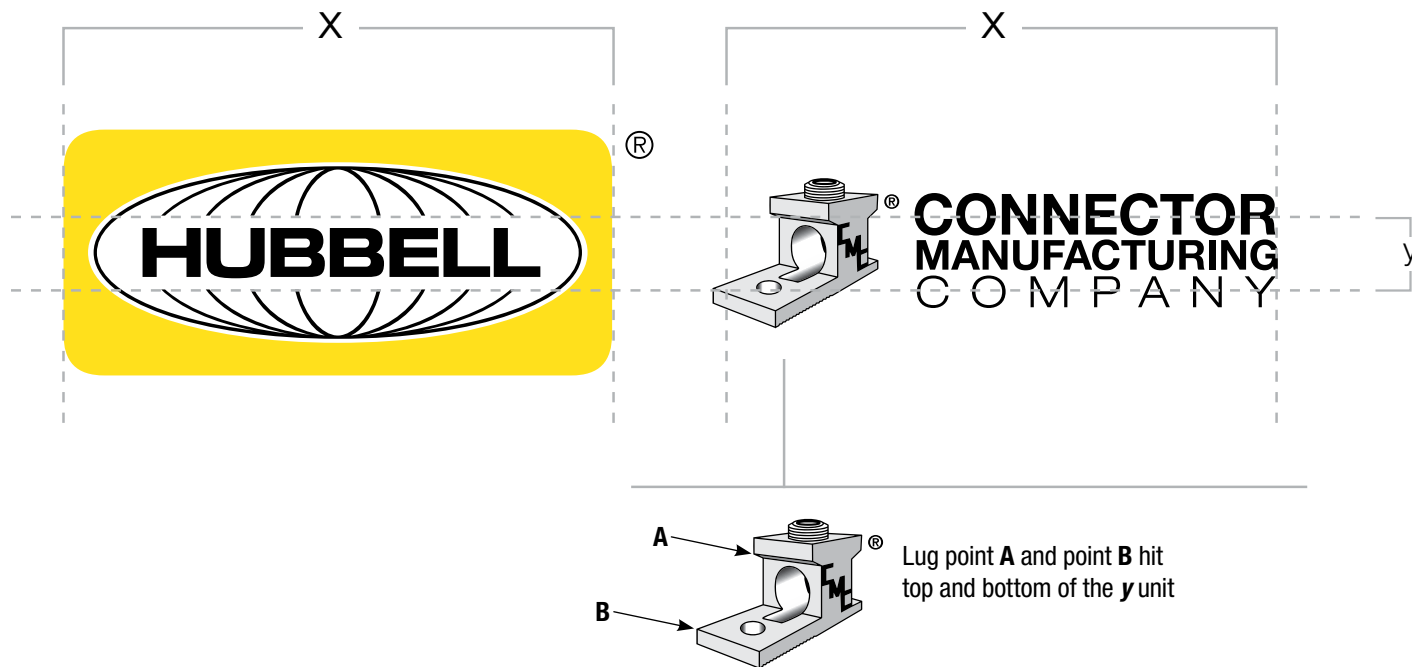
www.cmclugs.com | 513-860-4455



CMC®

Logo Lock-Up Usage

Follow proportions shown below when pairing the CMC® logo with the Hubbell logo.



CMC[®]

CMC[®] Held Trademarks

Keyhole[™]

Posigrip

ROTO-LUG[®]

Sharkbite[™]



www.cmclugs.com | 513-860-4455

