

ENCLOSURE LOCKS

TYPE PCL

Enclosure Locks with Shear Head Screws

- Used where padlocks are presently used.
- Economical locking device.
- Used where entrance is not required on a regular basis.
- Corrosion proof.
- Adjustable, will fit any hasp.

Catalog Number	Fig. No.	Ring Inside Dia. Inches	Alumoweld Gauge		Hasp Length Inches
			No.	Inches	
PCL1	1	.880	4	0.21	3.00
PCL-1S	2	.880	4	0.21	2.2
PCL2	3	.992	6	0.16	N/A
PCL3	4	2.125	6	0.16	N/A
PCL4	5	.990	2	0.26	2.2
PCL-5S	6	1.042	4	0.21	2.2
PCL5L	7	.880.	4	0.21	2.2
PCL6	8	.990.	2	0.26	3.00
PCL7	9	N/A	4	0.21	N/A
PCL8	10	.880.	4	0.21	3

Fig. 1
PCL1

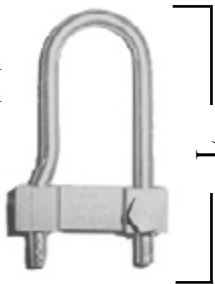


Fig. 2
PCL-1S



Fig. 3
PCL2



Fig. 4
PCL3



Fig. 5
PCL4



Fig. 6
PCL-5S



Fig. 7
PCL5L



Fig. 8
PCL6



Fig. 9
PCL7



Fig. 10
PCL8



UNDERGROUND ACCESSORIES

TYPE CO-OX JOINT COMPOUND

- A superior general purpose aluminum connector compound for all cable and terminal pad connections.
- Compatible with all cable insulating materials, including rubber and paper.
- Stable over a wide temperature range.
- Seals out air and moisture.
- Non-toxic and non-flammable.

Catalog Number	Description	Carton Qty
CO-OX-1G	1 Gallon Can	1
	3.79 Liters	
CO-OX 5G	5 Gallon Can	1
	18.93 Liters	

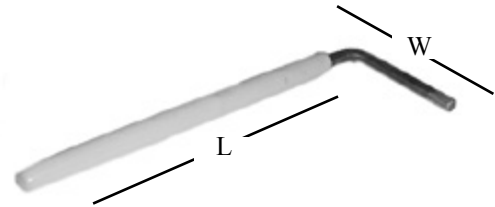


Aluminum Reducer

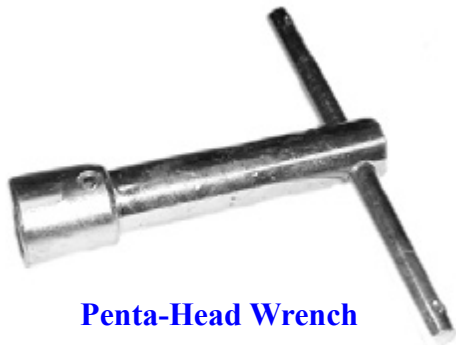
Catalog Number
AD-158



5/8 internal
1" external



Catalog Number	Hex	L	W
	Inches	Inches	Inches
	MM	MM	MM
WR-516L	0.31	9.00	3.00
	7.92	28.60	76.20
WR-38	.375"	9.00"	3.00"



Penta-Head Wrench

Catalog Number	Penta Size	Length
	Inches	Inches
	MM	MM
PH-1	0.875	4.625
	22.23	117.48



Catalog Number
PHB12

Stainless Steel
Penta Head Bolt
1/2-13 x 1.5

FASTENER HARDWARE

TYPE SBA

Stainless Steel Bolt Assemblies - Standard Duty

- 1/2" thread-hex head bolt assemblies supplied with two flat washers, Belleville washer and silicon bronze nut.
- Recommended for making aluminum to copper or copper to copper flat connections including copper alloys.
- Each bolt with its respective components is packaged 10 per clear poly bag.
- Other lengths available - contact factory.
- Add suffix "S" for stainless steel hex nut.



TYPE SHA

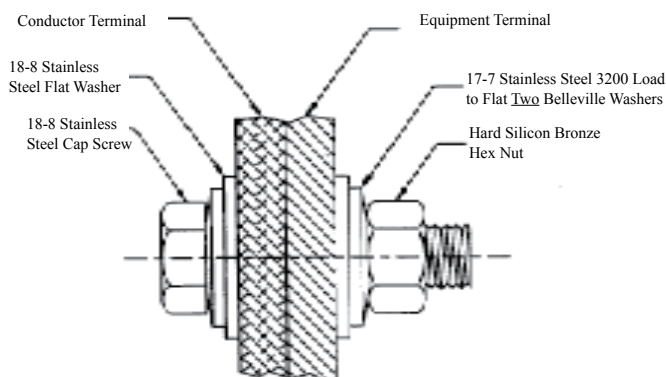
Stainless Steel Bolt Assemblies - Premium Duty With Preset Belleville Washer

- 1/2"-13 thread-hex head bolt assemblies supplied with two flat washers, preset Belleville washer and silicon bronze nut.
- Recommended for making aluminum to copper or copper to copper flat connections.
- Each bolt with its respective components is supplied packaged 10 per clear poly bag.

TYPE SBA / HD

Stainless Steel Bolt Assemblies - Heavy Duty With 2 Flat Washers and 2 Preset Belleville Washers

- 1/2"-13 thread-hex head bolt assemblies supplied with two flat washers, preset Belleville washer and silicon bronze nut.
- Recommended for making aluminum to copper or copper to copper flat connections.
- Each bolt with its respective components is supplied packaged 10 per clear poly bag.



Catalog Number	Overall Clamping Range- Inches	Bolt Length Inches
SBA15-50	.50-.75	1.50
SBA17-50	.75-1.00	1.75
SBA20-50	1.00-1.25	2.00
SBA225-50	1.25-1.50	2.25
SBA25-50	1.50-1.75	2.50
SBA275-50	1.75-2.00	2.75
SBA30-50	2.00-2.25	3.00
SBA35-50	2.50-2.75	3.50
SBA40-50	3.00-3.25	4.00

Catalog Number	Overall Clamping Range- Inches	Bolt Length Inches
SHA175	.75-1.00	1.75
SHA200	1.00-1.25	2.00
SHA225	1.25-1.50	2.25
SHA250	1.50-1.75	2.50
SHA275	1.75-2.00	2.75
SHA300	2.00-2.25	3.00
SHA350	2.50-2.75	3.50
SHA350	3.00-3.25	4.00

Catalog Number	Overall Clamping Range- Inches	Bolt Length Inches
SBA15-50HD	.50-.75	1.50
SBA17-50HD	.75-1.00	1.75
SBA20-50HD	1.00-1.25	2.00
SBA225-50HD	1.25-1.50	2.25
SBA25-50HD	1.50-1.75	2.50
SBA275-50HD	1.75-2.00	2.75
SBA30-50HD	2.00-2.25	3.00
SBA35-50HD	2.25-2.75	3.50
SBA40-50HD	3.00-3.25	4.00

ALUMINUM FLAT PAD EXTENSIONS

600V

TYPE FPX

- Adapters provide the means to connect virtually any required number of conductors to a transformer using NEMA two-hole terminal lugs. Stacking type terminal lugs can also be used where more conductor connections are required than available mounting positions.
- Other pad extensions are available. Consult factory.
- Supplied with or without hardware (stainless steel studs and flange nuts). Add suffix “WOH” to receive without hardware.
- Meets the performance requirements of ANSI C119.4.

Catalog Number	Fig. No.	L	H	T	Hole Diameter
		Dimensions - Inches			
FPX44	1	6.75	3.00	0.50	0.56
FPX46	1	8.50	3.00	0.50	0.56
FPX48	1	10.25	3.00	0.50	0.56
FPX25	2	6.50	6.50	0.50	0.56
FPX44WOH	1	6.75	3.00	0.50	0.56
FPX46WOH	1	8.50	3.00	0.50	0.56
FPX48WOH	1	10.25	3.00	0.50	0.56
FPX412WOH	1	14.25	4.00	.75	0.56
FPX25WOH	2	6.50	6.50	0.50	0.56

Material:
Extruded - 6061-T6 Aluminum
Cast - 356-T6 Aluminum

Note: Add suffix “TP” for tin plating.

Other sizes and configurations available. Contact the factory for information.

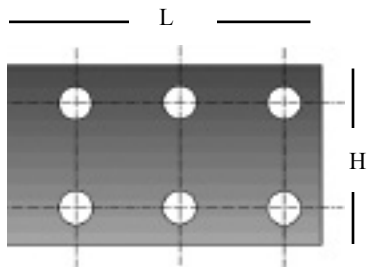


Fig. 1

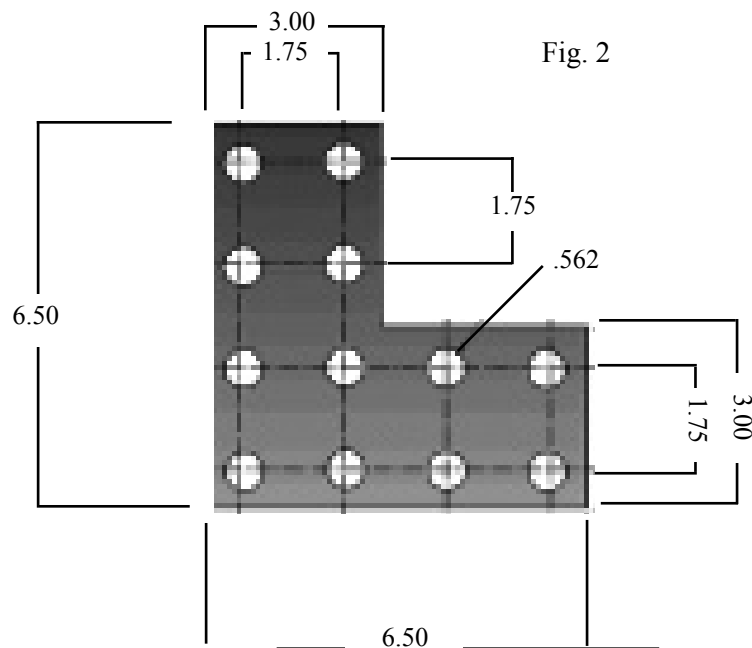


Fig. 2

COPPER FLAT PAD EXTENSIONS

600V

TYPE CFPX

- Adapters provide the means to connect virtually any required number of conductors to a transformer using NEMA two-hole terminal lugs. Stacking type terminal lugs can also be used where more conductor connections are required than available mounting positions.
- Other pad extensions are available. Consult factory.
- Supplied with or without hardware (stainless steel studs and flange nuts). Add suffix “WOH” to receive without hardware.
- Meets the performance requirements of ANSI C119.4.

Catalog Number	Fig. No.	L	H	T	Hole Diameter
		Dimensions - Inches			
CFPX44	1	6.75	3.00	0.50	0.56
CFPX46	1	8.50	3.00	0.50	0.56
CFPX48	1	10.25	3.00	0.56	
CFPX25	2	6.50	6.50	0.50	0.56
CFPX44WOH	1	6.75	3.00	0.50	0.56
CFPX46WOH	1	8.50	3.00	0.50	0.56
CFPX48WOH	1	10.25	3.00	0.50	0.56
CFPX412WOH	1	14.25	4.00	.75	0.56
CFPX25WOH	2	6.50	6.50	0.50	0.56

Note: Add suffix “TP” for tin plating.

Other sizes and configurations available. Contact the factory for information.

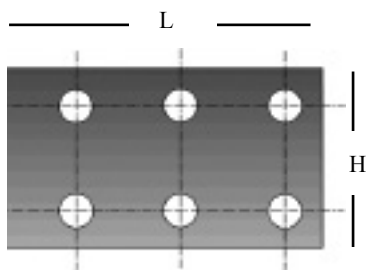


Fig. 1

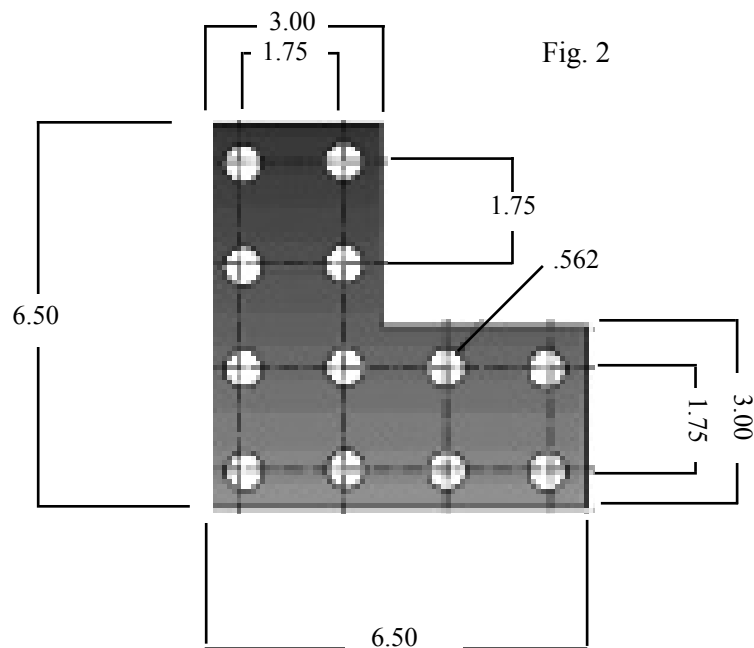


Fig. 2

ALUMINUM PAD EXTENSIONS

TYPE FPX-2S

- Adapters provide the means to connect virtually any required number of conductors to a transformer using NEMA two-hole terminal lugs. Stacking type terminal lugs can also be used where more conductor connections are required than available mounting positions.
- Slotted rail allows for adjustable height for easy transformer reconnection/replacement.
- Meets the performance requirements of ANSI C119.4.
- Tin plated.
- Other pad extensions are available. Consult factory.

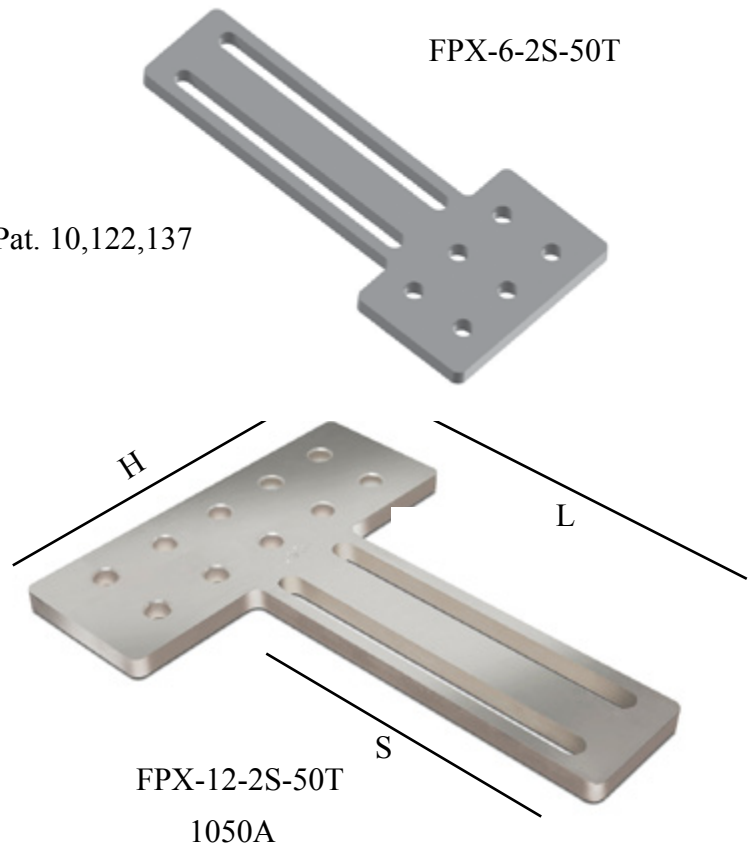
Catalog Number	H	L	S	Pad Width	Hole Diameter
	Dimensions - Inches				
FPX-6-2S-50T	6	12.75	8	.50	.56
FPX-8-2S-50T	8	12.75	8	.50	.56
FPX-10-2S-50T	10	12.75	8	.50	.56
FPX-12-2S-50T	10	18.75	8.5	.50	.56

Material:
Extruded - 6061-T6 Aluminum

Other sizes and configurations available. Contact the factory for information.



Pat. 10,122,137



COPPER PAD EXTENSIONS

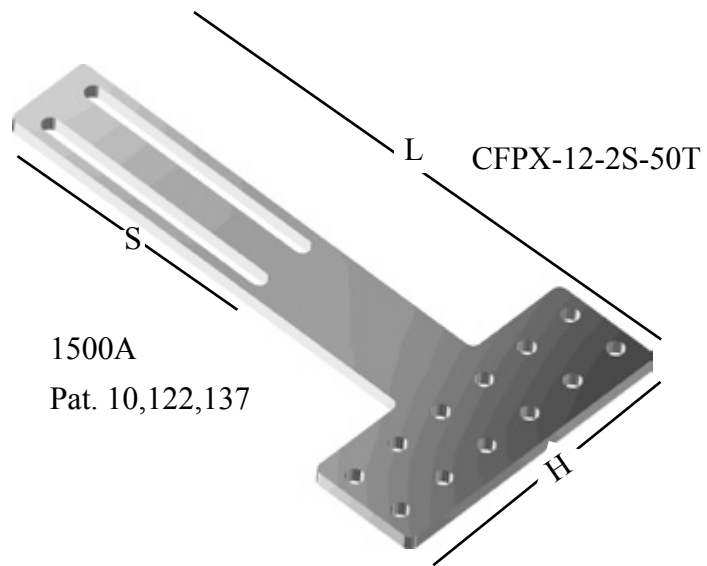
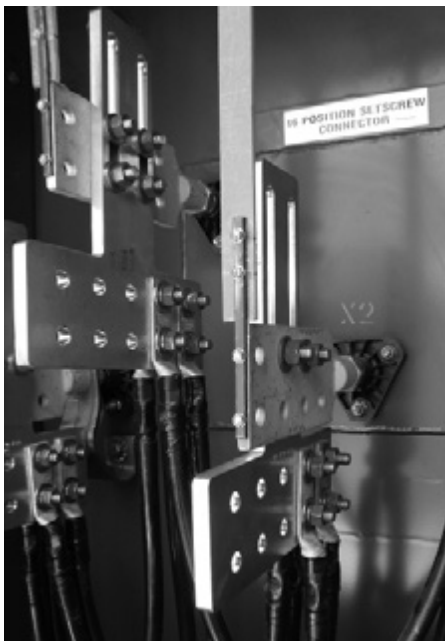
TYPE CFPX-2S

- Adapters provide the means to connect virtually any required number of conductors to a transformer using NEMA two-hole terminal lugs. Stacking type terminal lugs can also be used where more conductor connections are required than available mounting positions.
- Slotted rail allows for adjustable height for easy transformer reconnection/replacement.
- Meets the performance requirements of ANSI C119.4.
- Tin plated.
- Other pad extensions are available. Consult factory.

Catalog Number	H	L	S	Pad Width	Hole Diameter
	Dimensions - Inches				
CFPX-6-2S-50T	6	12.75	8	.50	.56
CFPX-8-2S-50T	8	12.75	8	.50	.56
CFPX-10-2S-50T	10	12.75	8	.50	.56
CFPX-12-2S-50T	10	18.75	8.5	.50	.56

Material:
Extruded - C110 Copper

Other sizes and configurations available. Contact the factory for information.



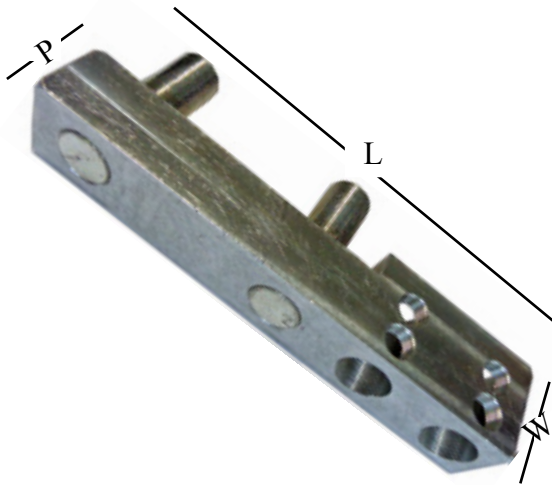
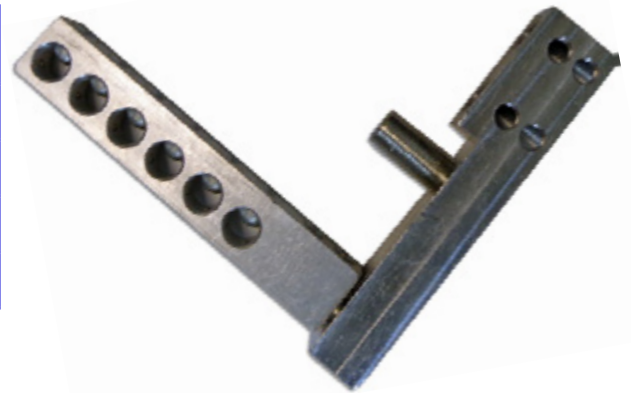
Catalog Number	H	L	S	Pad Width	Hole Diameter
	Dimensions - Inches				
CFPXL4-2A-MLGW-KIT	3.5	20.12	14.44	.50	.56

STUD EXTENSIONS

TYPE NTS

- Available for 1" or 5/8" transformer studs.
- Copper stud is electro-tin plated.
- Fully insulated.
- Clear plated for low-contact resistance.
- Supplied with brass jam nut.
- Uses CMC® patented keyhole mount for maximum contact area and a “wobble-free” mount.
- Adjustable to shift transformer stud down 2, 4, 6, or 8”.
- Connector fabricated from 6061-T6 aluminum alloy for conductivity and strength.
- Each unit individually wrapped and labeled for ease of identification and cleanliness.
- For installation, CMC® recommends the use of a 9” insulated Allen wrench.
- A torque wrench should be used to ensure the proper torque is achieved.
- Dual rated for copper and aluminum conductor.

Catalog Number	W	L	Pad Thickness	Stud Size
NTS10-EB	2	9.75	1.375"	1"
NTS10-EBC	2.2	9.95	1.575"	1"
NTS 58-EB	1.75	9.25	1"	5/8"
NTS 58-EBC	1.95	9.45	1.2"	5/8"



CMC's transformer stud extensions allow for faster, easier, and less expensive replacement of transformers. Adjustable, patented, slip-fit keyhole stud mounts eliminate the need for splices when new bushing heights don't allow old connections to reach.

Remove the risk and strain of cantilever forces on transformer bushings that cause premature leaking. The drop down extensions are adjustable in two inch increments and come in options for 5/8 and 1" studs. Available insulated or bare, (add suffix "C" for insulated).

CONNECTOR ACCESSORIES

TYPE APMB

Aluminum Multi-Tap Adapters for use on NEMA Four-Hole Secondary Spade Terminals

600V

- Adapters provide the means to connect virtually any required number of conductors to a transformer using NEMA two-hole terminal lugs. Stacking type terminal lugs can also be used where more conductor connections are required than available mounting positions.
- Meets the performance requirements of ANSI C119.4.

Catalog Number	Fig. No.	Thickness (mm)
APMB6B34	1	.75(19)
APMB8B12	2	.50(13)
APMB8B34	2	.75(19)
APMB10B34	3	.75(19)
APMB12B34	4	.75(19)

Material:
Extruded - 6061-T6 Aluminum
Cast - 356-T6 Aluminum

Note: Add suffix "TP" for tin plating.

Other sizes and configurations available. Contact the factory for information.

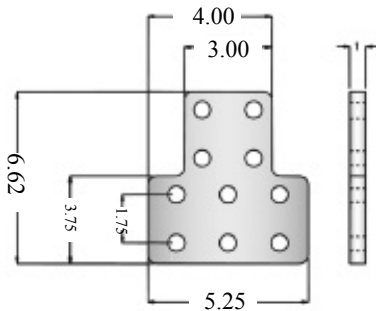


Fig. 1

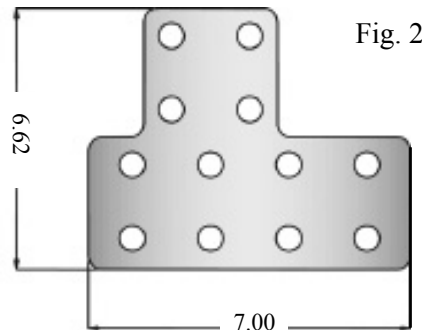


Fig. 2

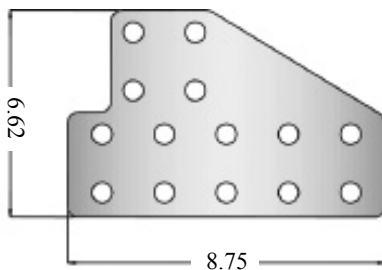


Fig. 3

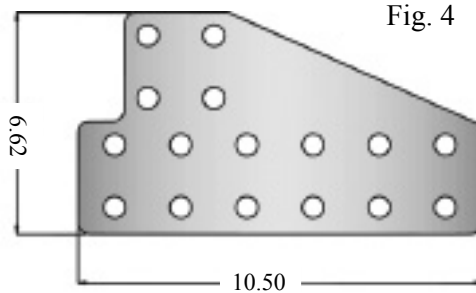


Fig. 4

ANIMAL / BIRD GUARDS

TYPE AG-11

- Made from a specially blended plastisol (PVC) material designed to “lock in” the oils (plasticizer) to promote a longer product life.
- A minimum thickness of 100 mils, with a voltage gradient of 300 volts/mil.
- Gray appearance with added UV stabilizers.
- A fungicide is also added to prevent the formation of mold when installed in a shady location.
- Fits a variety of insulators and comes complete with locking ring to hold it in place.

Catalog Number	A	B	L
	Dimensions - Inches		
AG-11	1	3.87	11.5

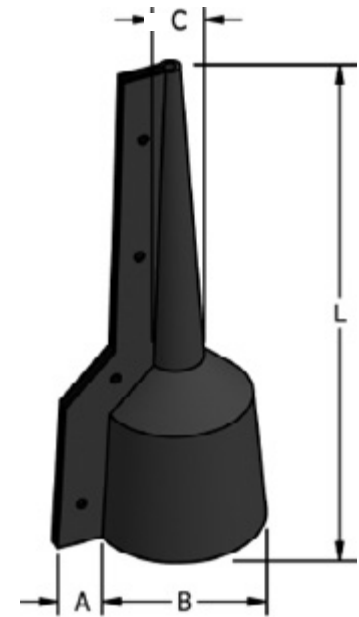


Fig 1

TYPE AG-RF (Retro-Fit)

- Made from a specially blended plastisol (PVC) material designed to “lock in” the oils (plasticizer) to promote a longer product life.
- A minimum thickness of 100 mils, with a voltage gradient of 300 volts/mil.
- Gray appearance with added UV stabilizers.
- A fungicide is also added to prevent the formation of mold when installed in a shady location.
- Locking ring keeps guard from riding up on the conductors (locks onto first skirt of the insulator). Slit down side to assist installation.

Catalog Number	A	B	C	L	Fig
	Dimensions - Inches				
AG-13RF	1	3.5	1.38	11.6	1
AG-17RF	1	4.4	1.38	18.1	2
AG-16RF	1.25	4.9	2.54	16.0	2

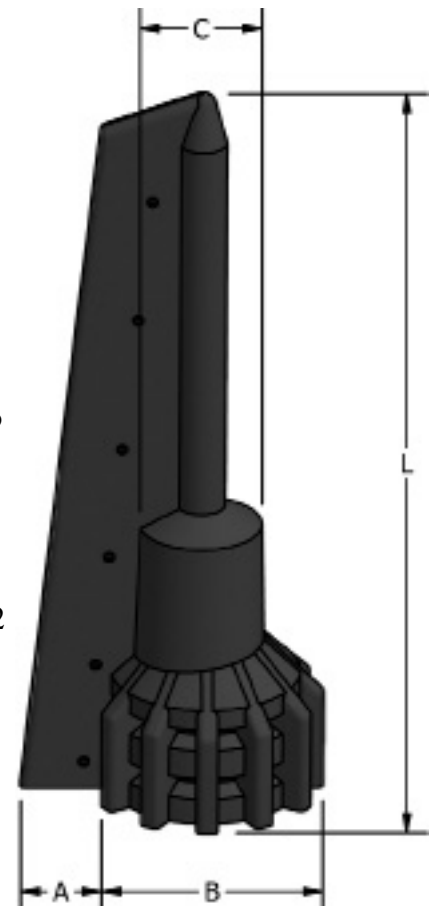


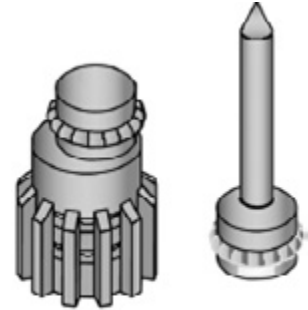
Fig 2

ANIMAL / BIRD GUARDS

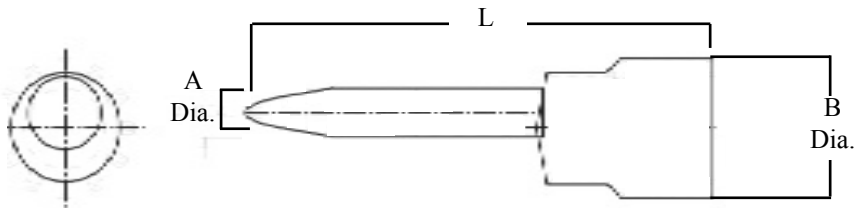
TYPE AG-17

Two-Piece

- Made from specially blended plastisol (PVC) material.
- Gray appearance with black added for UV protection.
- Double locking rings keep guard from sliding down on the insulator.
- Expandable base fits many sizes of insulators (O.D.).
- Fits over current limiting fuse.
- Over 17" tall, minimum thickness from 100 to 125 mils (1/8"), with a voltage gradient of 300v/mil.
- A fungicide is added to prevent the formation of mold when installed in shady areas.



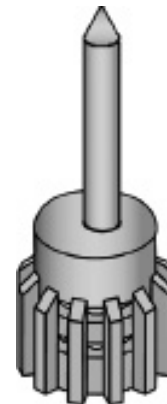
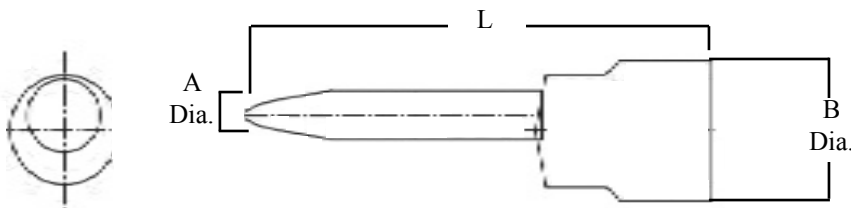
Catalog Number	A	B	L
	Dimensions - Inches		
AG-17	0.75	4.41	18.12



TYPE AG-17A

- Made from a specially blended plastisol (PVC) material.
- Gray appearance with black added for UV protection.
- Double locking rings keep guard from sliding down on the insulator.
- Expandable base fits many sizes of insulators (O.D.).
- Over 17" tall, minimum thickness from 100 to 125 mils (1/8"), with a voltage gradient of 300v/mil.
- A fungicide is added to prevent the formation of mold when installed in shady areas.

Catalog Number	A	B	L
	Dimensions- Inches		
AG-17A	0.75	4.41	18.12



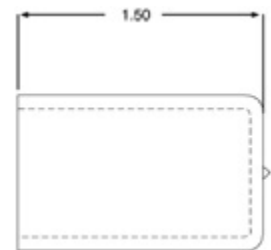
FORCE FIT CABLE CAPS

TYPE PC

- PC caps are sized to provide force fits on the listed diameters of conductors. Caps are color coded as indicated and are packaged in clear polyethylene bags which show size and application data. Caps conform to the conductor shape and will remain in place without using tape. A moisture seal cannot always be assured using this method however, and where required, type SC Instant Cable Seals are recommended.
- Additional intermediate sizes and larger sizes through 4.88" O.D. can also be supplied on special orders to specific color codes. Contact factory for information.

Catalog Number	Conductor O.D. Range Inches	Conductor Size Ratings Based on 600 V XLP Insulation		Cap Color Code	Pcs. Per Bag	Std. Box Qty.
		Concentric & Compressed Str.	Compact Strand			
PC312	.32-.38	6 & 4	6,4 & 2	Orange	100	500
PC375	.38-.44	4 & 2	2	Red	100	500
PC437	.44-.51	1	1 & 10	Pink	100	500
PC500	.51-.55	1/0	2/0	Yellow	100	500
PC562	.57-.65	2/0 & 3/0	3/0	Pale Blue	100	500
PC625	.63-.70	-	4/0	Pink	100	500
PC687	.69-.75	4/0	250	Red	100	500
PC750	.76-.84	250 & 300	300 & 350	Black	100	500
PC843	.85-.93	350	400	Brown	50	250
PC875	.88-.96	400	500	Maroon	50	250
PC1000	1.00-1.08	500	600	Orange	50	250
PC1125	1.13-1.21	600	750	Yellow	50	250
PC1187	1.19-1.27	750	-	Black	50	250
PC1250	1.30-1.38	-	1000	Red	50	250
PC1375	1.38-1.47	1000	-	Gray	50	250
PC1500	1.53-1.63	1250	-	Black	40	200
PC1687	1.70-1.80	1500	-	Pale Blue	40	200
PC1875	1.90-2.04	2000	-	Yellow	40	200
PC2000	2.02-2.18	-	-	Orange	40	200
PC2375	2.39-2.55	-	-	Blue	40	200
PC2500	3.50-3.66	-	-	Black	40	200
PC3500	3.50-3.66	-	-	Red	40	200

**Material:
600V PVC**



PUSH-ON CABLE END CAP CONTAINING “SUPER-SEAL”

WATERPROOFING MASTIC

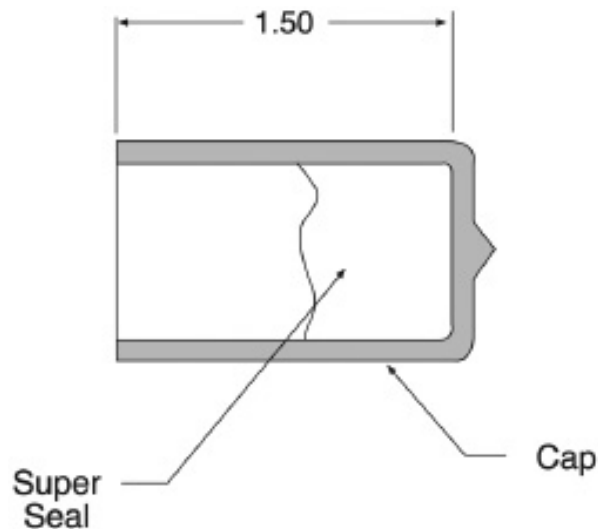
TYPE SC

- Waterproofing seals work instantly and stay in place without tape.
- The maximum conductors shown are based upon caps that have been stretched when making the installations. The same items can be effectively installed on small conductors since the mastic has adhesive qualities when pressed by firmly pushing the caps against the conductor ends.
- Bagged in clear polyethylene with an information tag.
- Shelf service life is indefinite since Super-Seal is non-hardening. Super-Seal has no adverse effect on cable insulation.
- Additional intermediate sizes and larger sizes through 4.88” O.D. can also be supplied on special orders to specific color codes. Contact factory for information.

Catalog Number	Max. Conductor O.D. Based on a Snug Cap Fit	Cap Color Code	Pcs. Per Bag	Std. Box Qty.
SC687	0.75	Red	3	300
SC1000	1.08	Orange	3	300
SC1125	1.21	Yellow	3	300
SC1375	1.47	Gray	3	300
SC1500	1.63	Black	3	300
SC1875	2.04	Yellow	3	150
SC2000	2.18	Black	3	150
SC2375	2.55	Blue	3	150
SC2500	2.66	Black	3	150
SC25002.5	2.66	Black	3	150

**Material:
600V PVC**

Note: Add suffix “-4” for 4 inch length



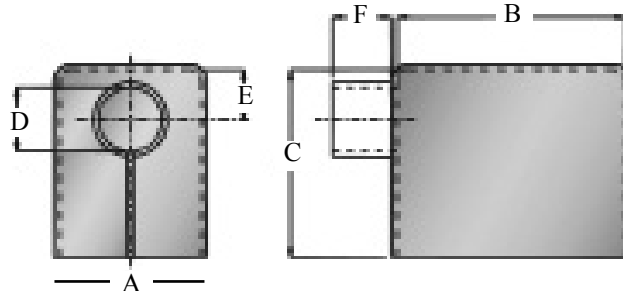
UNDERGROUND COVERS

TYPE B

Flexible Covers for Insulating Transformer Connectors and Related Cable Connectors

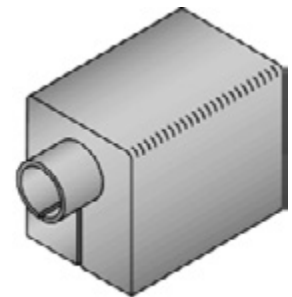
600V

Insulating boots can be used as working covers or permanent installations. (The material is black dielectric grade PVC) rated at 240 volts per mil based on 90 mils thickness. Material has good flexing and impact cracking resistance properties at temperatures as low as 0 degrees F (-18 degrees C).



Material:
PVC

Catalog Number	A	B	C	D	E	F
	Dimensions - Inches (MM)					
B8	5.00 (127)	10.00(254)	10.00 (254)	3.00 (76)	1.75 (44)	2.00 (51)
B20	3.00 (76)	8.75 (222)	5.62 (143)	2.00 (51)	1.75 (44)	1.50 (39)
B43	3.50 (89)	6.25 (159)	7.00 (179)	2.00 (51)	1.75 (44)	1.00 (25)
B45	3.50 (89)	8.75 (222)	7.00 (179)	2.00 (51)	1.75 (44)	1.00 (25)
B60	2.75 (70)	12.00 (305)	8.00 (203)	2.12 (54)	1.75 (44)	1.56 (40)

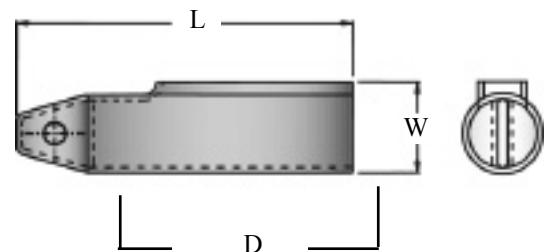


TYPE CC1928-1

Load Break Elbow Covers

Helps in keeping the load break elbow bushing interfaces free of dirt, mud and other contaminants, especially useful in street/sidewalk vaults. (The material is black dielectric grade PVC) rated at 240 volts per mil based on 90 mils thickness. Material has good flexing and impact cracking resistance properties at temperatures as low as 0 degrees F (-18 degrees C).

Catalog Number	D	W	L
	Dimensions - Inches		
CC1928-1	10.25	3.73	12.75



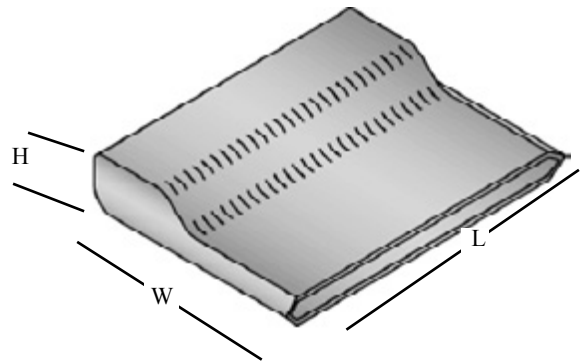
PVC BOOTS

TYPE BUP

600V

- Type BUP- Black PVC Boots have extra long skirts.
- Nominal thickness .125 (1/8 inch).
- Rated at 240 volts per mil.
- Cover rated at 105 degrees C.

Catalog Number	For Use With Connector	L	W	H
		Dimensions - Inches		
BUP-B	NA250-4 NA350-4	4.20	6.50	2.18
BUP-C	NA250-5 NA350-5	5.50	5.12	1.75
BUP-D	NA250-8 NA500-6	7.38	6.50	2.37
BUPD-A	ND500-4	5.50	5.50	2.25
BUPD-B	ND750-4 ND1000-4	7.25	7.50	2.25
BUP-F	NA250-6 NA350-6	6.12	5.12	1.75
BUP-G	NA350-8 NA500-8 ND250-8 ND350-8 ND500-6 ND500-8 ND750-6	9.75	7.25	2.25
BUP-H	NA500-4	5.20	6.50	2.37
NC68-750-1000	ND750-8 ND1000-6	10.92	4.55	2.53



DURA-BOOT EPDM RUBBER

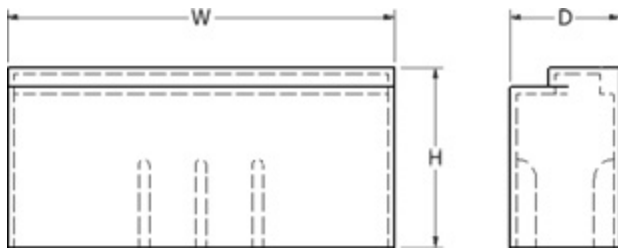
TYPE DB

EPDM Rubber Cover

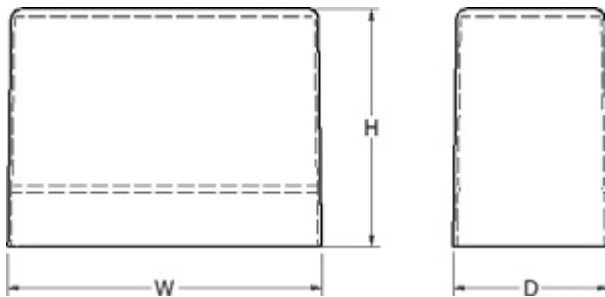
600V

- EPDM Rubber will not crack from cold embrittlement.
- Will not soften with heat.
- Will not cold flow.
- Flexible locking ribs prevent accidental removal of the cover.
- Double-thick top for extra protection.

Catalog Number	For Use With the Following Connectors			H	D	W
				Dimensions - Inches		
DB-6	NA350-4 NA350-5 NA350-6	NA500-4 NA500-5 NA500-6	LI250-6 LI350-6	3.47	1.98	7.25
DB-4	NA250-8 NA250-6 NA350-8 NA350-6 NA500-4 NA500-6 NA750-4 NA750-6	ND250-8 ND250-6 ND350-8 ND350-6 ND500-4 ND500-6 ND750-4 ND750-6	LI1000-3 LI1000-4	6.50	4.40	8.90



DB-6



DB-4



SEALING COMPOUNDS

TYPE DSC

Duct Sealing Compound

- DSC Asbestos Free Sealer is a gray, permanently soft, nontoxic compound which will adhere to most clean, dry surfaces. DSC Sealer will not adversely affect other plastic materials or corrode metals. It also has no adverse effect on human skin.
- Supplied in a convenient block shape over wrapped with release paper and bagged in a clear reentry type PVC bag with application data.
- Unlimited shelf life.
- Dielectric strength approximately 100V/mil. using ASTM D149-64.
- Nontoxic and nonirritating.
- Easily shaped by hand to suit the application.
- 100% nonvolatile solids including non-drying, synthetic polymers with inert mineral fibers.
- Recommended working range when applying is 20 degrees F. Tolerance range is 40 degrees to 194 degrees F. Will not sag at 280 degrees F when under such exposure for brief periods.
- Permanently pliable and non-cracking. May be painted immediately.

Catalog Number	Block Size	Carton Quantity
DSC1	1 lb.	50 lbs.
DSC5	5 lbs.	50 lbs.

TYPE IS

Insta-Seal Pads and Rolls

- Insta-Seal pads & rolls have wax paper backing.
- Ideal for covering electrical connections to seal out moisture and prevent corrosion from attacking interface contact surfaces.
- Highly cohesive and adhesive cured butyl rubber compound which adheres to polyethylene as well as RHW, THW and rubber.
- Has a 1/8" nominal thickness with a wax paper backing on one face. The Mylar keeps the tenacious mastic from getting on either hands or gloves as it is be pressed over a connection, and it also acts as a tough dielectric covering which is highly resistant to being pierced by bolts, conductor ends and sharp projections on connectors.
- Can be applied on non-icy surfaces when temperatures are down to 0 degrees F and it retains flexibility and adhesion after installation down to - 50 degrees F.

Catalog Number	Description	Carton Qty	Master Ctn. Qty.	Wt per Master Ctn.
IS-44	3.75" x 3.75" x 1/8" paper backed pads packed 20 pcs./box	20 Pads	12 Cartons	31 lbs.
IS-4-10R	3.75 x 10" x 1/8" paper backed roll packed in dispenser box	8 Rolls	1 Carton	24 lbs.

CAST HOT LINE CLAMPS

TYPE HLB/HLA (protected thread) Hot Line Clamps

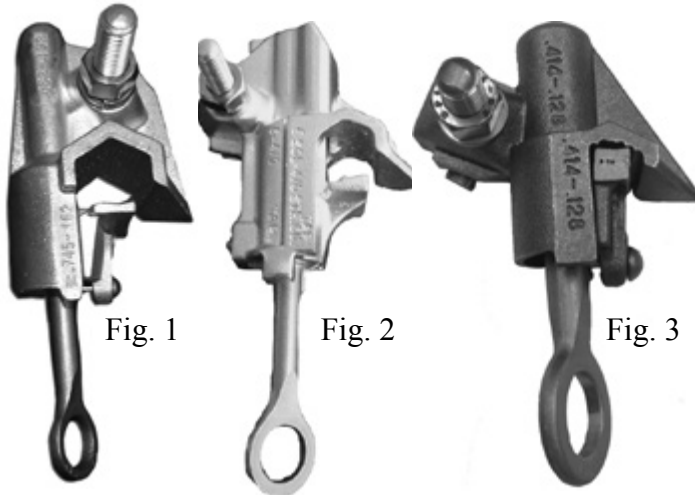


Fig. 1

Fig. 2

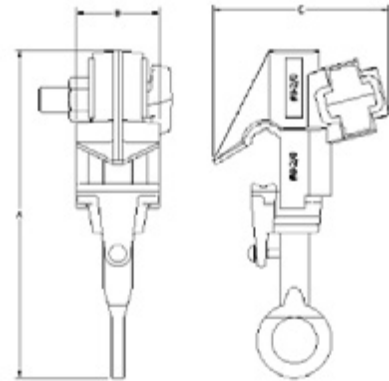
Fig. 3

CMC® Hot Line Clamps are designed for installing or removing distribution tap connections with standard hot line tools and equipment.

CMC® Hot Line Clamps are cast from high strength bronze or aluminum alloy and forged eyebolts in stainless steel.

Eyebolt coated with high temperature grease, assuring easy turning in all weather conditions.

RUS APPROVED



Notes:

- HLA indicates aluminum body clamps*
- HLB indicates bronze body clamps*
- LD indicates long duck bill*
- Add suffix "T" for tin plating*
- Add suffix "I" for packaging with inhibitor*

Catalog Number	Connection Type Run	Connection Type Tap	Run Dia.	Run	Tap Dia.	Tap	A	B	C	Tap Nut	Standard Pack	Figure Number
HLA 2/0	AL	AL/CU	.128"-.414"	#8 Sol-2/0 str.	.128"-.414"	#8 Sol-2/0 str.	4.50	1.25	2.75	9/16	25	3
HLA 2/0 LD	AL	AL/CU	.128"-.414"	#8 Sol-2/0 str.	.128"-.414"	#8 Sol-2/0 str.	4.50	1.25	3.12	9/16	25	3
HLB 2/0	CU	CU	.128"-.414"	#8 sol - 2/0 str.	.128"-.414"	#8 sol - 2/0 str.	4.50	1.25	2.75	9/16	25	3
HLB 2/0 LD	CU	CU	.128"-.414"	#8 Sol-2/0 str.	.128"-.414"	#8 Sol-2/0 str.	4.50	1.25	3.12	9/16	25	3
HLA400R	AL	AL/CU	.162"-.745"	#6 ACSR-336.4 MCM	.152"-.682"	#6 sol-4/0 str.	7.25	1.38	3.62	9/16	25	2
HLB400R	CU	CU	.162"-.745"	#6 sol - 400 MCM	.152"-.682"	#6 sol-4/0 str.	7.25	1.38	3.62	9/16	25	2
HLA 400	AL	AL/CU	.162"-.745"	#6 ACSR-336.4 MCM	.152"-.682"	#6 sol-4/0 str.	6.50	1.75	2.50	3/4	25	1
HLB-400	CU	CU	.162"-.745"	#6 sol - 400 MCM	.152"-.682"	#6 sol-4/0 str.	6.50	1.75	2.50	3/4	25	1
HLA 800	AL	AL/CU	.502"-.1.031"	4/0 ACSR-800 MCM	.198"-.703"	#4 sol-350 MCM	6.50	2.00	3.00	3/4	25	1
HLB 800	CU	CU	.502"-.1.031"	4/0 ACSR-800 MCM	.198"-.703"	#4 sol-350 MCM	6.50	2.00	3.00	3/4	25	1