
TERMINATION ENCLOSURE OPTIONS

Add suffix:

- R - Reverse Stagger the Bus Bars (to run cable in from the top)
- CU - Copper NEMA Mount Bus Bars
- C - Plastisol Covers for Bus Bars
- DF - Dead Fronts
- T - Tin Plated Bus bars
- LI - Lay-In Bus Bars
- SS - Stainless Steel Cabinets
- G - Grounding Strap

WALL-MOUNTED TERMINATION ENCLOSURES

TYPE LWTE

Three-Phase, NEMA 3R (rain-proof), 600 Volt Rated

- Aluminum mechanical bar connector eliminates compression tools, lugs and bolt assemblies.
- Aluminum enclosure is lightweight, low maintenance and has excellent corrosion resistance.
- Ample working space, allowing for easier termination with a removable swinging door.
- All-welded construction: welds and seams are ground smooth.
- Manufactured to meet or exceed ANSI C57-12.28 for wall-mount equipment enclosure integrity.
- Three-point positive latch mechanism (secured with a captive and recessed penta-head bolt) and shielded padlock shackle.
- Finish meets or exceeds proposed EEI paint specification.
- Finish is gray, oven cured powder coat.
- All mounting hardware is 18-8 stainless steel.

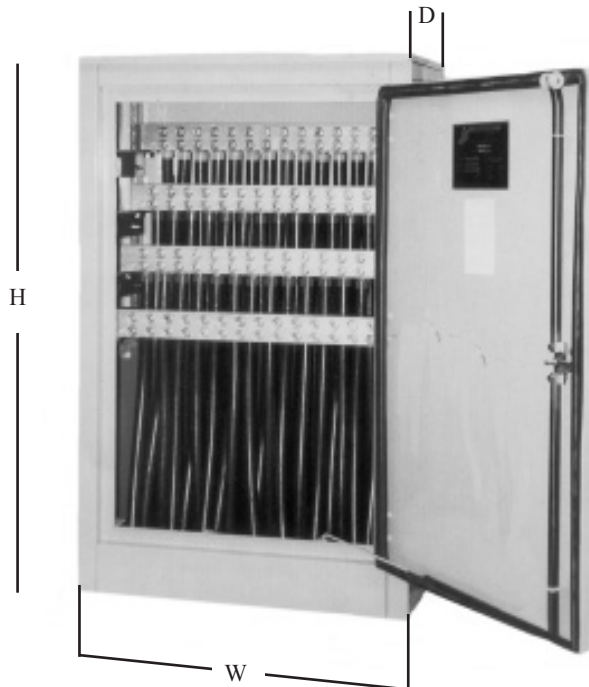


ANSI C119.4
14KL

Catalog Number	Cond. Range AWG	No. of Cond. Per Phase	W	D	H	U.L. Listed Amp Rating	
			Dimensions - Inches			Copper	Aluminum
LWTE21-500	500-10	21	32.00	16.00	51.00	3800	3100
LWTE14-750	750-2	14	32.00	16.00	51.00	3325	2695
LWTE14-1000	1000-1/0	14	32.00	16.00	51.00	3815	3115

Notes:

- Consult factory for special applications or conductor sizes.
- Add suffix "C" to the end of the catalog number to include 4-phase covers.
- Grounding strap not included. Add suffix "G".



Cover available - *not U.L. listed*
TEC-30

PAD-MOUNTED TERMINATION ENCLOSURES

TYPE **LPTE/LPLE**

Three-Phase, NEMA 3R (rain-proof), 600 Volt Rated



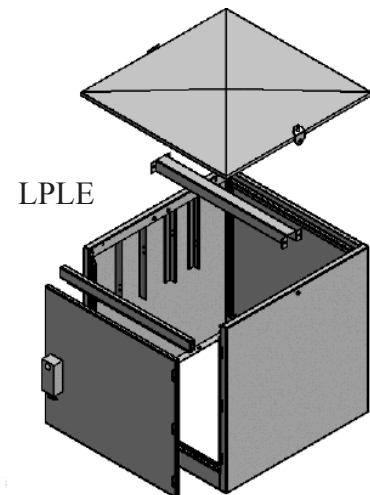
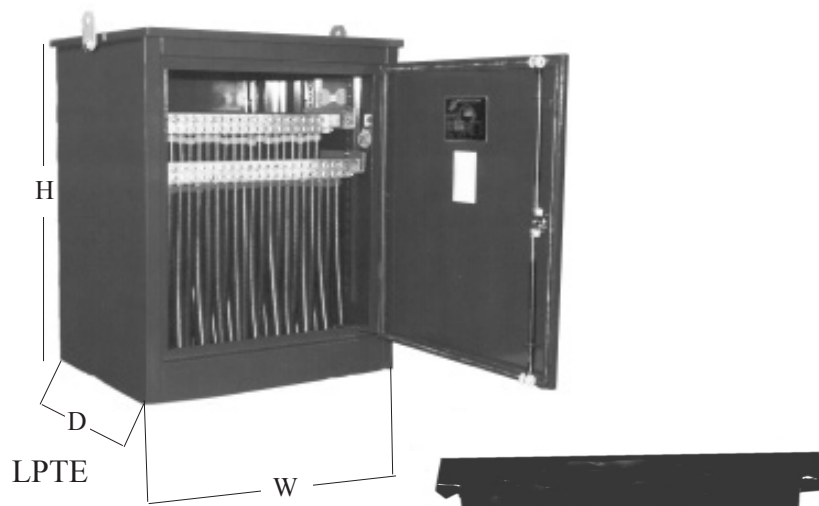
ANSI C119.4
14KL

- Aluminum mechanical bar connector eliminates compression tools, lugs and bolt assemblies.
- Aluminum enclosure is lightweight, low maintenance and has excellent corrosion resistance.
- All-welded construction: Welds and seams are ground smooth.
- Manufactured to meet or exceed ANSI C57-12.28 for pad-mount equipment enclosure integrity.
- Removable swinging doors - Doors have stainless steel lift off hinges with stainless steel three-point locking handles and recessed stainless steel penta-head bolts for security.
- Finish is Munsell green, oven cured powder coat.
- All mounting hardware is 18-8 stainless steel.
- **Any pad mount enclosure can be made with a lift-off (removable) top. In order to designate this use “LPLE” instead of “LPTE”**

Catalog Number	Cond. Range AWG	No. of Cond. Per Phase	W	D	H	U.L. Listed Amp Rating	
			Dimensions - Inches			Copper	Aluminum
LPTE26-500	500-10	26	36.00	30.00	44.00	4560	3720
LPTE22-750	750-2	22	36.00	30.00	44.00	5225	4235
LPTE20-1000	1000-1/0	20	36.00	30.00	44.00	4905	4005
LPTE14-750	750-2	14	25.00	24.00	44.00	3325	2695
LPTE24-750	750-2	24	48.00	54.00	44.00	4560	3720
LPTE30-750	750-2	30	48.00	30.00	44.00	4905	4005
LPTE30-1000	1000-1/0	30	54.00	52.00	44.00	5225	4235

Notes:

- Consult factory for special applications or conductor sizes.
- Add suffix “C” to the end of the catalog number to include 4-phase covers.
- Grounding strap not included. Add suffix “G”.



Cover available *not - U.L. listed*
TEC-34

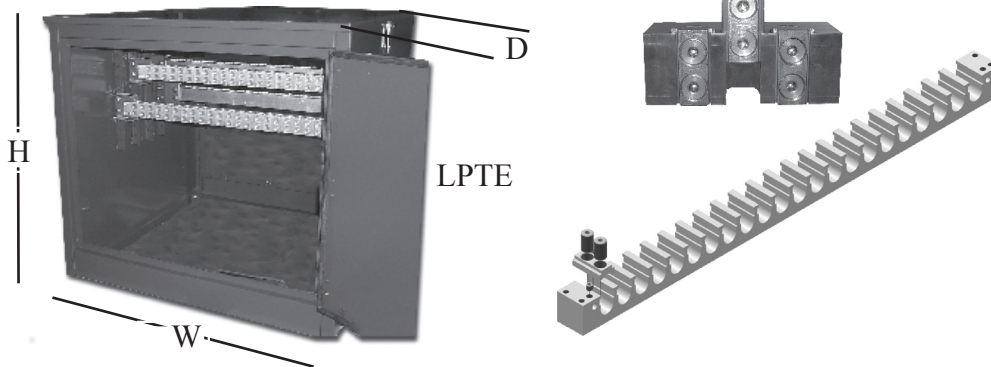
LAY-IN BUS BAR TERMINATION ENCLOSURES

TYPE LPTE/LPLE - LI

ANSI C57-12.28

Three-Phase, NEMA 3R (rain-proof), 600 Volt Rated

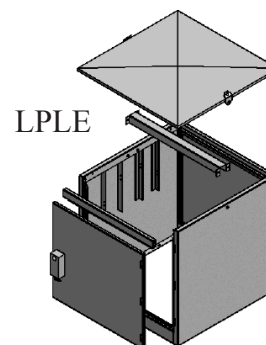
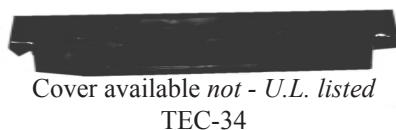
- Aluminum enclosure is lightweight, low maintenance and has excellent corrosion resistance.
- All-welded construction: Welds and seams are ground smooth.
- Removable swinging doors - Doors have stainless steel lift off hinges with stainless steel three-point locking handles and recessed stainless steel penta-head bolts for security.
- Finish is Munsell green, oven cured powder coat.
- All mounting hardware is 18-8 stainless steel.
- Aluminum mechanical bar connector eliminates compression tools, lugs and bolt assemblies.
- Unique lay-in feature reduces frustration of feeding multiple conductors through standard connectors.
- Each outlet has a removable “keeper” that allows conductors to be laid into the outlet, solving the problem of trying to bend large conductors in confined areas. The “keeper” is then slid over the conductor and the set-screws are tightened. It is fast and easy at initial installations and for later service additions.
- Connectors are fabricated from 6061-T6 aluminum alloy for conductivity and strength.
- Fully tested to ANSI C119.4 for Class “A” connectors.
- **Any pad mount enclosure can be made with a lift-off (removable) top. In order to designate this use “LPLE” instead of “LPTE”**



Catalog Number	Cond. Range AWG	No. of Cond. Per Phase	Cover	W	D	H	U.L. Listed Amp Rating	
				Dimensions - Inches			Copper	Aluminum
LPTE18-750LI	750-2	18	TEC-34	36.00	30.00	44.00	5225	4235
LPTE18-1000LI	1000-1/0	18	TEC-34	36.00	30.00	44.00	4905	4005
LPTE24-750LI	750-2	24	TEC-46	54.00	52.00	44.00	4905	4005
LPTE25-1000LI	1000-1/0	24	TEC50-15	54.00	52.00	44.00	5225	4235

Notes:

- Consult factory for special applications or conductor sizes.
- Add suffix “C” to the end of the catalog number to include 4-phase covers.
- Grounding strap not included. Add suffix “G”.



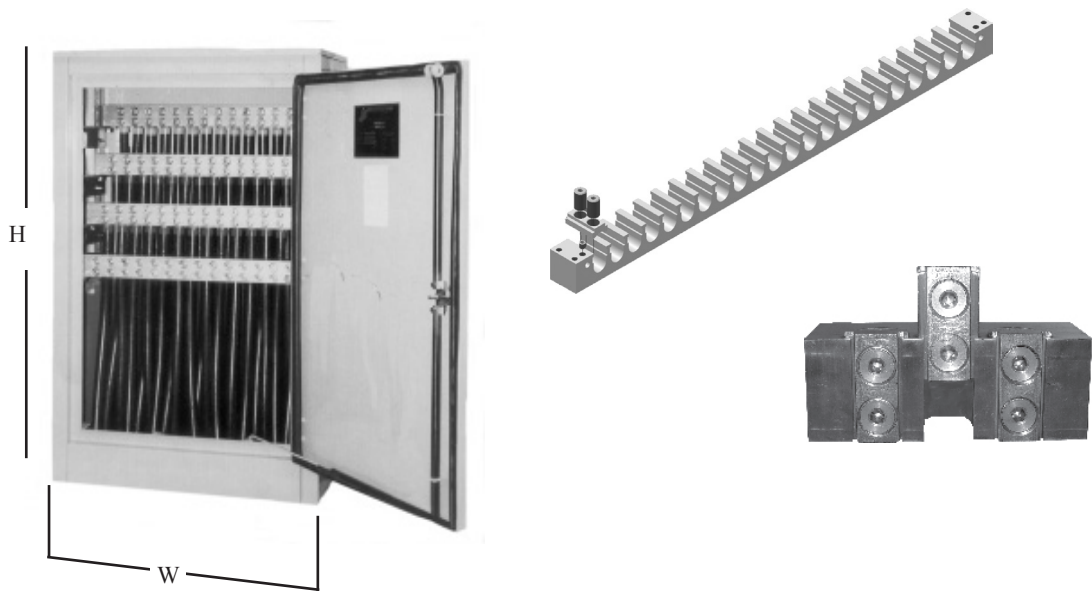
LAY-IN BUS BAR TERMINATION ENCLOSURES

TYPE LWTE - LI

Three-Phase, NEMA 3R (rain-proof), 600 Volt Rated

ANSI C57-12.28

- Aluminum enclosure is lightweight, low maintenance and has excellent corrosion resistance.
- All-welded construction: Welds and seams are ground smooth.
- Removable swinging doors - Doors have stainless steel lift off hinges with stainless steel three-point locking handles and recessed stainless steel penta-head bolts for security.
- Finish is grey, oven cured powder coat.
- All mounting hardware is 18-8 stainless steel.
- Aluminum mechanical bar connector eliminates compression tools, lugs and bolt assemblies.
- Unique lay-in feature reduces frustration of feeding multiple conductors through standard connectors.
- Each outlet has a removable “keeper” that allows conductors to be laid into the outlet, solving the problem of trying to bend large conductors in confined areas. The “keeper” is then slid over the conductor and the set-screws are tightened. It is fast and easy at initial installations and for later service additions.
- Connectors are fabricated from 6061-T6 aluminum alloy for conductivity and strength.
- Fully tested to ANSI C119.4 for Class “A” connectors.



Catalog Number	Cond. Range AWG	No. of Cond. Per Phase	W	D	H	U.L. Listed Amp Rating	
						Copper	Aluminum
LWTE19-500LI	500-10	19	32.00	16.00	51.00	3800	3100
LWTE11-750LI	750-2	11	32.00	16.00	51.00	3325	2695
LWTE11-1000LI	1000-1/0	11	32.00	16.00	51.00	3815	3115
LWTE22-750LI	1000-1/0	11	44.00	18.00	51.00	3815	3115

Notes:

- Consult factory for special applications or conductor sizes.
- Add suffix “C” to the end of the catalog number to include 4-phase covers.
- Grounding strap not included. Add suffix “G”.

CABLE SPLICING ENCLOSURE FOR WIND TURBINES

TYPE LWS



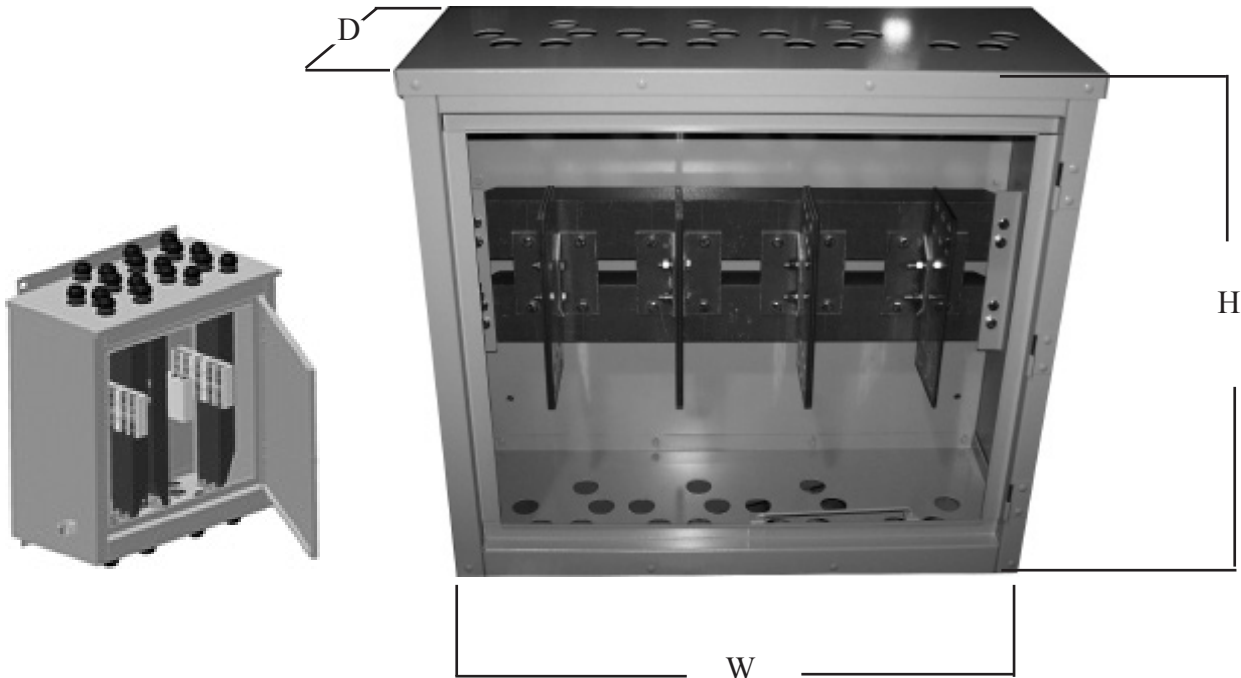
- Lay-in bus bars for easy installation
- Lightweight
- Fast and easy to install - Saves Time
- Aluminum mechanical bar connector eliminates compression tools, lugs and bolt assemblies.
- Aluminum enclosure is lightweight, low maintenance and has excellent corrosion resistance.
- All-welded construction: Welds and seams are ground smooth.
- Manufactured to meet or exceed ANSI C57-12.28 for pad-mount equipment enclosure integrity.
- Removable swinging doors - Doors have stainless steel lift off hinges with stainless steel three point locking handles and recessed stainless steel penta-head bolts for security.
- All mounting hardware is 18-8 stainless steel.
- Serviceable
- Customize to Meet Your Needs
- Versatile
- DLO Cable Compatible

PATENTED

Catalog Number	Cond. Range AWG	No. of Cond. Per Phase	W	D	H	U.L. Listed Amp Rating	
			Dimensions - Inches			Copper	Aluminum
LWSA-4B	750-2	5	32.00	16.00	32.00	3000	3000
LWSC-6NC0	600-10	4	40.00	16.00	38.00	3000	3000

Notes: Consult factory for special applications or conductor sizes.

LWSC-6NC0



ABOVE-GRADE PEDESTAL WITH COVERED CONNECTORS

TYPE PA-200 / PF-300

Material:
 Pedestal, Base & Cover- Linear low-density polyethylene
 Connector Body - Extruded 6061-T6 aluminum
 Connector Cover - Clear, co-polyester

- Standard Mussel green tint and ultraviolet stabilizer ensure an attractive and long- lasting pedestal. Add suffix “LG” for light willow green tint.
- Pedestal ribbing ensures in-ground stability where driven stakes are not used.
- Stainless steel penta-head lock assembly.
- Linear low-density polyethylene rotational molding process produces superior fit and finish, with high impact and tensile strength and a dielectric strength of 450 volts/mil.
- Incorporates unique molded connector brackets that support the mounted connectors.
- Clear, hard Lexan cover; clear or black plastisol cover available.
- Connector set-screws accept a 5/16” Allen wrench. Recommend 9” insulated Allen wrench.

Catalog Number	Conductor Range	No. of Outlets	Cover
PA-200	Pedestal Only	n/a	n/a
PA200-L1350-6I	350-12	6	PEDCA
PA200-L1600-6I	600-10	6	PEDCA-600
PA200-NA350-6I	350-12	6	PEDCA
PA200-NA500-6I	500-10	6	PEDCA-600
PF-300	Pedestal Only	n/a	n/a
PF300-L1350-6I	350-12	6	PEDCA
PF300-L1600-6I	600-10	6	PEDCA-600
PF300-NA350-6I	350-12	6	PEDCA
PF300-NA500-6I	500-10	6	PEDCA-600

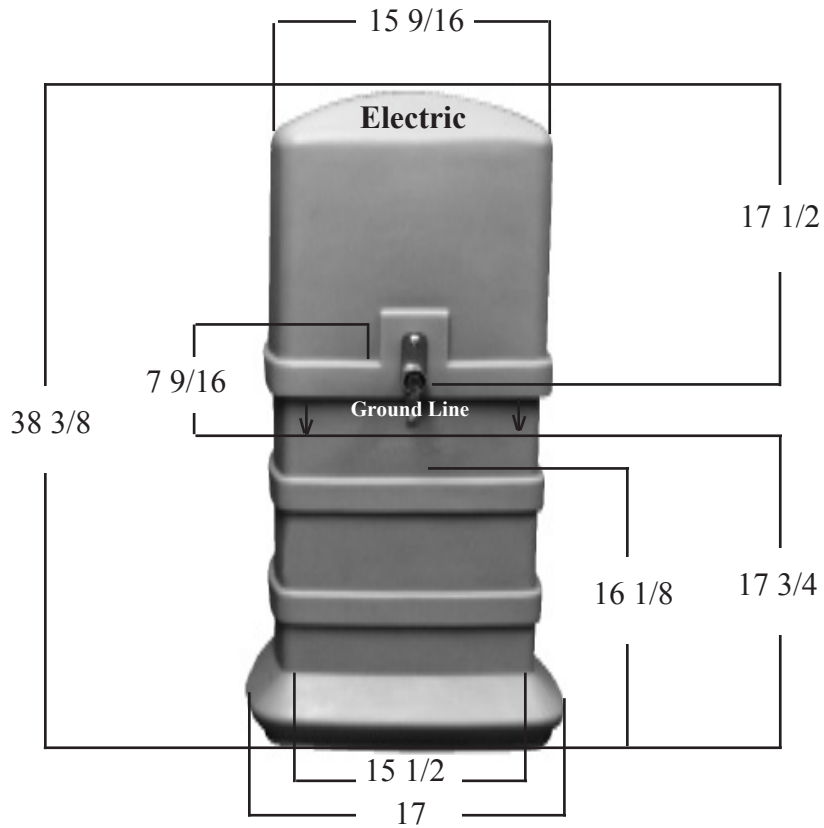


PA-200

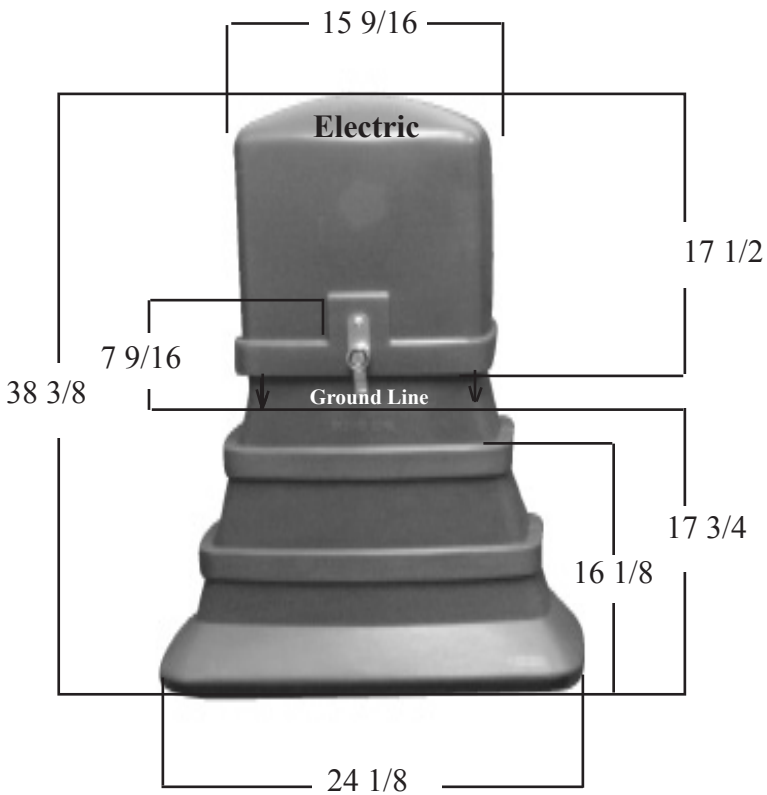
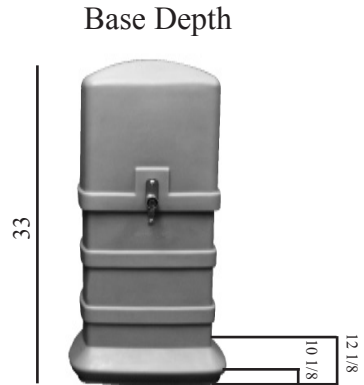
Covers: Made of clear, hard lexan.



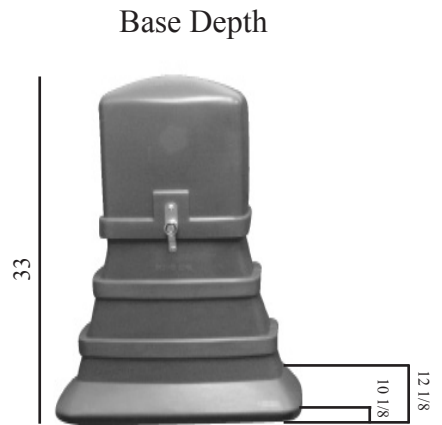
PF-300



PA-200



PF-300



ROTATIONAL MOLDED POLYETHYLENE PEDESTALS

600V

FEATURES:

- Linear low-density polyethylene with UV inhibitors (this is the same classification of polyethylene used as jacket for URD medium voltage cable).
- Excellent weathering characteristics.
- High environmental stress crack resistance.
- High tensile strength.
- High impact strength at low temperatures.
- Dielectric strength of 450 volts per mil.
- All external hardware 304 stainless steel.
- Standard Munsell green color identifies pedestal power.
- Alternate colors for special application include light green, gray, black, brown, tan and purple.

OPTIONS AVAILABLE:

- Connectors and insulating cover factory installed in pedestal.
- Stainless steel stake.
- Graphics: molded-in-engraved logo, name, etc. - colored surface applied vinyl warning and ID.
- Graphics: colored pre-mold and post molded custom graphics, all factory applied to customer specifications.
- All pedestal tops interchangeable size for PA200 and PF300.
- Temporary service power module for unmetered power will fit either PA200 or PF300 pedestal.

Note: A complete copy of the polyethylene material specification is available upon request.

The inert characteristics of polyethylene, the physical design of the pedestal and the design options, which [CMC Utility Products](#) has incorporated, make it the most versatile and still competitive pedestal choice available today.

SERIES PA AND PF ABOVE GROUND, SECONDARY POWER PEDESTALS

Features

- Linear Low Density Polyethylene, rotational molded for consistent finish and dimensional tolerance MP635-661.
- UV stabilized for weathering performance, 1700 ppm Cytec 3346.
- Mechanical properties of materials listed below, provide for excellent field performance in all climatic conditions, with high strength values.
- Penta head bolt and padlock provision provided.
- Ribbed base provides superior rigidity and flexural strength.
- Available with connectors and covers installed as an option.
- Available with stainless steel stake as an option.
- Refer to drawings for specific dimensions and design geometry.

Material Property	Test Method	Value
Density	ASTM D 1505	0.94 g/cm ³
Melt Index	ASTM D 123B	6.5 g/10 min.
Environmental Stress		
Crack Resistance, F50		
100% Igepal	ASTM D 1693	> 1000 hrs.
10% Igepal	ASTM D 1693	92 hrs.
Flexural Modulus, 1% Secant	ASTM D 790	80,700 psi
Tensile Strength at 2"/min. Yeild	ASTM D 638	2,500 psi
Heat Distortion		
Temp @ 66psi	ASTM D 648	50° C
Temp @ 264 psi	ASTM D 648	35° C
Low Temp Impact		
1/8" specimen	ARM STD	45 ft-lbs.
1/4" specimen	(40° F Impact)	200 ft-lbs.

Type	Base Dimensions Width x Depth x Height	Cover Height	Catalog Number
CF	15" dia x 15" H	N/A	CF600
PA	15" x 10" x 23"	18"	PA200
PF	28" x 10" x 23"	18"	PF300