

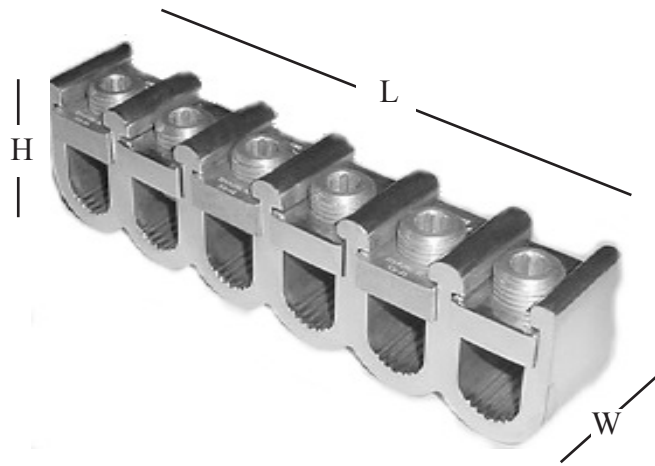
LAY-IN PEDESTAL CONNECTORS

600V

TYPE LI

DUAL-RATED CONNECTORS FOR ALUMINUM OR COPPER CONDUCTORS

- Unique lay-in feature reduces frustration of feeding multiple conductors through standard connectors.
- Each outlet has a removable “keeper” that allows conductors to be laid into the outlet, solving the problem of trying to bend in confined areas. The “keeper” is then slid over the conductor and the set-screws are tightened. It is fast and easy at initial installations, and for later service additions.
- Connectors are fabricated from 6061-T6 aluminum alloy and clear plated for high conductivity and strength.
- Fully tested ANSI C119.4 for Class ‘A’ connectors.
- CMC® recommends the use of a 9” insulated wrench for installations.



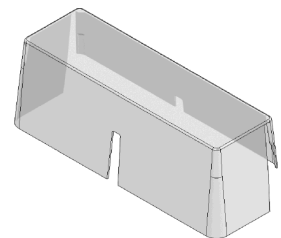
Catalog Number	Number Cond.	Conductor Range kcmil	L	W	H	Cover
LI350-6	6	350-10	6.912	1.250	1.750	PEDCA
**LI350-6-1	6	350-10	6.912	1.250	1.750	PEDCA
LI600-6	6	600-10	8.375	1.250	2.000	PEDCA-600
**LI600-6-1	6	600-10	8.375	1.250	2.000	PEDCA-600
*LI1000-4	4	1000-1/0	6.812	2.500	3.000	DB-4

*Two set-screws per conductor

**Connector includes two 1/4 - 20 mounting holes

PEDCA

Cover made with Clear, hard Lexan.



ABOVE-GRADE SECONDARY CONNECTORS

600V

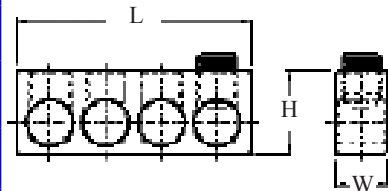
TYPE NA

Secondary Connectors for Above-Grade Use

DUAL-RATED CONNECTORS FOR ALUMINUM OR COPPER CONDUCTORS

- Clear plated for low-contact resistance.
 - Fully tested to ANSI C119.4 for Class ‘A’ connectors.
 - Supplied with radial-tipped set-screws.
 - 105 °C rated black plastisol cover available.
 - Connector fabricated from 6061-T6 aluminum alloy for conductivity and strength.
- Includes CO-OX oxide inhibitor in all conductor holes.
 - Each unit individually wrapped and labeled for ease of identification and cleanliness.
 - For installation, CMC® recommends the use of a 9” insulated Allen wrench.

Catalog Number	No. of Cond.	Cond. Range AWG	H	W	L	Cover Number
			Dimensions - Inches			
NA250-3I	3	250-12	1.13	0.88	2.75	NC3-250
NA250-4I	4	250-12	1.13	0.88	3.63	NC4-250
NA250-5I	5	250-12	1.13	0.88	4.5	NC6-250
NA250-6I	6	250-12	1.13	0.88	5.38	NC6-250
NA250-8I	8	250-12	1.13	0.88	7.13	NC8-250
NA350-3I	3	350-12	1.25	1.00	2.88	NC3-350
NA350-4I	4	350-12	1.25	1.00	3.79	NC4-350
NA350-5I	5	350-12	1.25	1.00	4.7	NC6-350
NA350-6I	6	350-12	1.25	1.00	5.61	NC6-350
NA350-8I	8	350-12	1.25	1.00	7.43	NC8-350



- Note:*
1. For omission of CO-OX oxide inhibitor, delete suffix - "I"
 2. Street light tap available - add suffix "SL" to catalog number.
 3. To order connector and cover add "C" to description. eg: NA350-6CI



ABOVE-GRADE SECONDARY CONNECTORS

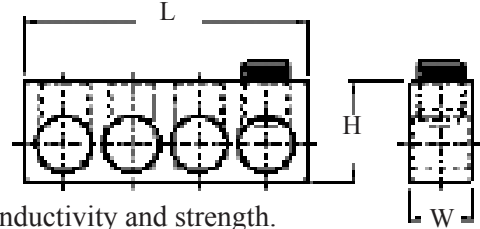
TYPE NA

600V

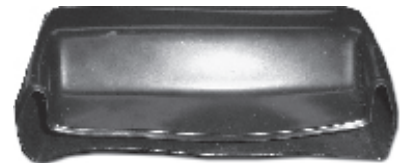
Secondary Connectors for Above-Grade Use

DUAL-RATED CONNECTORS
FOR ALUMINUM OR COPPER CONDUCTORS

- Clear plated for low-contact resistance.
- Fully tested to ANSI C119.4 for Class 'A' connectors.
- Supplied with radial-tipped set-screws.
- 105°C Rated black plastisol cover available.
- Connector fabricated from 6061-T6 aluminum alloy for conductivity and strength.
- Includes CO-OX oxide inhibitor in all conductor holes.
- Each unit individually wrapped and labeled for ease of identification and cleanliness.
- For installation, CMC® recommends the use of a 9" insulated Allen wrench.



Catalog Number	No. of Cond.	Cond. Range AWG MM2	Dimensions - Inches			Cover Number
			H	W	L	
			Dimensions - (mm)			
NA500-3I	3	500-10 240-4	1.406 41.4	1.00 25.4	3.65 92.71	NC3-500
NA500-4I	4	500-10 240-4	1.406 41.4	1.00 25.4	4.84 122.94	NC4-500
NA500-5I	5	500-10 240-4	1.406 41.4	1.00 25.4	6.03 153.16	NC6-500
NA500-6I	6	500-10 240-4	1.406 41.4	1.00 25.4	7.22 183.39	NC6-500
NA500-8I	8	500-10 240-4	1.406 41.4	1.00 25.4	9.59 243.57	NC8-500
NA750-3I	3	750-2 300-25	1.88 47.75	1.38 35.05	4.18 106.17	NC3-750
NA750-4I	4	750-2 300-25	1.88 47.75	1.38 35.05	5.49 139.45	NC4-750
NA750-5I	5	750-2 300-25	1.88 47.75	1.38 35.05	6.8 172.72	NC6-750
NA750-6I	6	750-2 300-25	1.88 47.75	1.38 35.05	8.11 205.99	NC6-750
NA750-8I	8	750-2 300-25	1.88 47.75	1.38 35.05	10.73 272.54	NC8-750



- Note:
1. For omission of CO-OX oxide inhibitor, delete suffix - "I"
 2. Street light tap available - add suffix "SL" to catalog number.
 3. To order connector and cover add "C" to description. eg: NA350-6CI

ABOVE-GRADE SECONDARY CONNECTORS

TYPE ND

Heavy-Duty Secondary Connectors

DUAL-RATED CONNECTORS

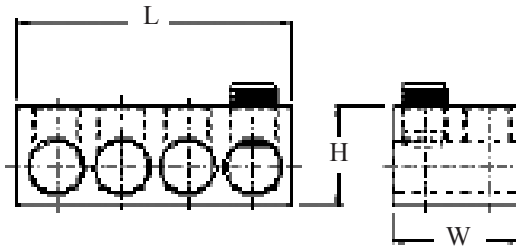
FOR ALUMINUM OR COPPER CONDUCTORS

600V

- Clear plated for low-contact resistance.
- Fully tested to ANSI C119.4 for Class 'A' connectors.
- Supplied with radial-tipped set-screws.
- Connector fabricated from 6061-T6 aluminum alloy for conductivity and strength.

- Includes CO-OX oxide inhibitor in all conductor holes.
- Each unit is individually wrapped and labeled for ease of identification and cleanliness.
- For installation, CMC® recommends the use of a 9" insulated Allen wrench.

Catalog Number	No. of Cond.	Cond. Range AWG MM2	H	W	L
			Dimensions - Inches		
			Dimensions - (mm)		
ND250-4I	4	250-12	1.36	1.75	3.63
		120-4	34.93	44.45	92.20
ND250-6I	6	250-12	1.36	1.75	5.38
		120-4	34.93	44.45	136.65
ND250-8I	8	250-12	1.36	1.75	7.13
		120-4	34.93	44.45	181.10
ND350-4I	4	350-12	1.38	1.86	3.79
		185-4	35.05	47.63	96.27
ND350-6I	6	350-12	1.38	1.86	5.61
		185-4	35.05	47.63	142.49
ND350-8I	8	350-12	1.38	1.86	7.43
		185-4	35.05	47.63	188.72
ND500-4I	4	500-10	1.50	2.25	4.84
		240-4	38.10	57.15	122.94
ND500-6I	6	500-10	1.50	2.25	7.22
		240-4	38.10	2.25	183.39
ND500-8I	8	500-10	1.50	2.25	9.59
		240-4	38.10	2.25	243.59
ND750-4I	4	750-2	2.50	2.00	5.49
		300-25	63.50	57.15	139.45
ND750-6I	6	750-2	2.50	2.00	8.11
		300-25	63.50	57.15	205.99
ND750-8I	8	750-2	2.50	2.00	10.73
		300-25	63.50	57.15	272.54
ND1000-4I	4	1000-2	2.50	2.00	6.58
		500-25	63.50	57.15	167.13
ND1000-6I	6	1000-2	2.50	2.00	9.83
		500-25	63.50	57.15	249.68
ND1000-8I	8	1000-2	2.50	2.00	13.08
		500-25	63.50	57.15	332.23



See page I-11 for covers.

Note: For omission of CO-OX oxide inhibitor, delete suffix - "I"

INSULATED SECONDARY CONNECTORS

TYPE NACC

Clear Insulated Secondary Connectors

DUAL-RATED CONNECTORS
FOR ALUMINUM OR COPPER CONDUCTORS



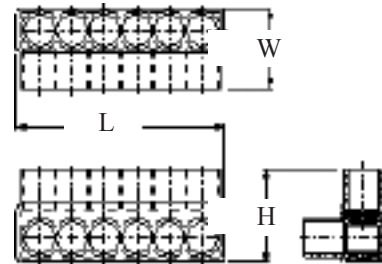
90° C Rating (486B listed).

RUS Approved
600V

- Clear plated for low-contact resistance.
 - Fully tested to ANSI C119.4 for Class 'A' connectors.
 - Supplied with radial-tipped set-screws.
 - Connector fabricated from 6061-T6 aluminum alloy for conductivity and strength.
 - Includes CO-OX oxide inhibitor in all conductor holes.
- Each unit is individually wrapped and labeled for ease of identification and cleanliness.
 - For installation, CMC® recommends the use of a 9" insulated Allen wrench.

PATENTED

Catalog Number	Number of Cond.	Cond. Range	H	W	L
NACC250-2SI	2	250-12	2.13	2.06	2
NACC250-3SI	3				3
NACC250-4SI	4				3.90
NACC250-5SI	5				4.90
NACC250-6SI	6				5.80
NACC250-8SI	8				7.60
NACC350-2SI	2	350-12	2.31	2.50	2.20
NACC350-3SI	3				3.10
NACC350-4SI	4				4.00
NACC350-5SI	5				5.00
NACC350-6SI	6				5.90
NACC350-7SI	7				6.90
NACC350-8SI	8				7.70
NACC600-2SI	2	600-4	2.75	2.50	2.70
NACC600-3SI	3				4.00
NACC600-4SI	4				5.25
NACC600-5SI	5				6.60
NACC600-6SI	6				7.80
NACC600-7SI	7				8.80
NACC600-8SI	8				10.40



Note: Available in black for UV protection. Add "black" to the end of the catalog number.

FLEX TAP INSULATED BAR CONNECTORS

TYPE NACC

Clear Insulated Secondary Connectors

DUAL-RATED CONNECTORS
FOR ALUMINUM OR COPPER CONDUCTORS



90° C Rating (486B listed).

600V

- CMC® Flex tap is available in two through eight conductor configurations in five conductor sizes.
- Connector fabricated from 6061-T6 aluminum alloy for conductivity and strength.
- Connector is encapsulated in clear PVC rated at 240 volts per mil.
- Clear cover allows visual inspection of conductors during installation.
- Fully tested to ANSI C119.4 for Class ‘A’ connectors.



Fig. 1
Top View



Fig. 2
Top View



Fig. 3
Top View

PATENTED

Catalog Number	Figure Number	No. of Cond.	Cond. Range AWG Alum - Copper	H	W	L
				Dimensions - Inches		
NACC4-2A	2	2	4-14	1.12	1.50	1.21
NACC4-3A	2	3				1.81
NACC4-2S	1	2	4-14	1.12	1.06	1.21
NACC4-3S	1	3				1.81
NACC4-4S	1	4				2.40
NACC4-5S	1	5				3.00
NACC4-6S	1	6				3.60
NACC4-8S	1	8				4.78
NACC4-2B	3	2	4-14	1.12	1.50	1.21
NACC4-3B	3	3				1.81
NACC4-4B	3	4				2.40
NACC4-5B	3	5				3.00
NACC4-6B	3	6				3.60
NACC4-8B	3	8				4.78

Note: Available in black for UV protection. Add "black" to the end of the catalog number.

FLEX TAP INSULATED BAR CONNECTORS

TYPE NACC Clear Insulated Secondary Connectors



90° C Rating (486B listed).

600V

DUAL-RATED CONNECTORS FOR ALUMINUM OR COPPER CONDUCTORS

- CMC® Flex tap is available in two through eight conductor configurations in five conductor sizes.
- Connector fabricated from 6061-T6 aluminum alloy for conductivity and strength.
- Connector is encapsulated in clear PVC rated at 240 volts per mil.
- Clear cover allows visual inspection of conductors during installation.
- Fully tested to ANSI C119.4 for Class ‘A’ connectors.



Fig. 1
Top View



Fig. 2
Top View



Fig. 3
Top View

Catalog Number	Figure Number	No. of Cond.	Cond. Range AWG Alum - Copper	H	W	L
				Dimensions - Inches		
NACC2/0-2A	2	2	2/0-14	1.20	1.56	1.21
NACC2/0-3A	2	3				1.81
NACC2/0-2S	1	2	2/0-14	1.20	1.12	1.21
NACC2/0-3S	1	3				1.81
NACC2/0-4S	1	4				2.40
NACC2/0-5S	1	5				3.00
NACC2/0-6S	1	6				3.60
NACC2/0-8S	1	8				4.78
NACC2/0-2B	3	2	2/0-14	1.20	1.56	1.21
NACC2/0-3B	3	3				1.81
NACC2/0-4B	3	4				2.40
NACC2/0-5B	3	5				3.00
NACC2/0-6B	3	6				3.60
NACC2/0-8B	3	8				4.78

Note: Available in black for UV protection. Add “black” to the end of the catalog number.

FLEX TAP INSULATED BAR CONNECTORS

TYPE NACC

Clear Insulated Secondary Connectors

DUAL-RATED CONNECTORS
FOR ALUMINUM OR COPPER CONDUCTORS



90° C Rating (486B listed).

600V

- CMC® Flex tap is available in two through eight conductor configurations in five conductor sizes.
- Connector fabricated from 6061-T6 aluminum alloy for conductivity and strength.
- Connector is encapsulated in clear PVC rated at 240 volts per mil.
- Clear cover allows visual inspection of conductors during installation.
- Fully tested to ANSI C119.4 for Class ‘A’ connectors.



Fig. 1
Top View



Fig. 2
Top View

PATENTED

Catalog Number	Fig. No.	No. of Cond.	Cond. Range AWG Alum - Copper	H	W	L
				Dimensions - Inches		
NACC250-2A	1	2	250 - 12	2.13	2.60	1.87
NACC250-3A	1	3	250 - 12	2.13	2.60	2.75
NACC250-2B	2	2	250 - 12	2.13	2.60	1.87
NACC250-3B	2	3	250 - 12	2.13	2.60	2.75
NACC250-4B	2	4	250 - 12	2.13	2.60	3.62
NACC250-5B	2	5	250 - 12	2.13	2.60	4.50
NACC250-6B	2	6	250 - 12	2.13	2.60	5.37
NACC250-8B	2	8	250 - 12	2.13	2.60	7.12

Note: Available in black for UV protection. Add “black” to the end of the catalog number.

FLEX TAP INSULATED BAR CONNECTORS

TYPE NACC

Clear Insulated Secondary Connectors

DUAL-RATED CONNECTORS
FOR ALUMINUM OR COPPER CONDUCTORS



90° C Rating (486B listed).

600V

- CMC® Flex tap is available in two through eight conductor configurations in five conductor sizes.
- Connector is fabricated from 6061-T6 aluminum alloy for conductivity and strength.
- Connector is encapsulated in clear PVC rated at 240 volts per mil.
- Clear cover allows visual inspection of conductors during installation.
- Fully tested to ANSI C119.4 for Class ‘A’ connectors.



Fig. 1
Top View



Fig. 2
Top View

PATENTED

Catalog Number	Fig. No.	No. of Cond.	Cond. Range AWG Alum. - Copper	H	W	L
				Dimensions - Inches		
NACC350-2A	1	2	350 - 12	2.13	2.60	1.87
NACC350-3A	1	3	350 - 12	2.13	2.60	2.75
NACC350-2B	2	2	350 - 12	2.13	2.60	1.87
NACC350-3B	2	3	350 - 12	2.13	2.60	2.75
NACC350-4B	2	4	350 - 12	2.13	2.60	3.62
NACC350-5B	2	5	350 - 12	2.13	2.60	4.50
NACC350-6B	2	6	350 - 12	2.13	2.60	5.37
NACC350-8B	2	8	350 - 12	2.13	2.60	7.12

Note: Available in black for UV protection. Add "black" to the end of the catalog number.

FLEX TAP INSULATED BAR CONNECTORS

TYPE NACC

Clear Insulated Secondary Connectors

DUAL-RATED CONNECTORS
FOR ALUMINUM OR COPPER CONDUCTORS



90° C Rating (486B listed).
600V

- CMC® Flex tap is available in two through eight conductor configurations in five conductor sizes.
- Connector fabricated from 6061-T6 aluminum alloy for conductivity and strength.
- Connector is encapsulated in clear PVC rated at 240 volts per mil.
- Clear cover allows visual inspection of conductors during installation.
- Fully tested to ANSI C119.4 for Class ‘A’ connectors.



Fig. 1
Top View



Fig. 2
Top View



Fig. 3
Top View

PATENTED

Catalog Number	Figure Number	No. of Cond.	Cond. Range AWG Alum - Copper	H	W	L
				Dimensions - Inches		
NACC600-2A	2	2	600-4	2.62	2.50	2.50
NACC600-3A	2	3				3.70
NACC600-2S	1	2	600-4	2.62	1.50	2.50
NACC600-3S	1	3				3.70
NACC600-4S	1	4				4.80
NACC600-5S	1	5				6.00
NACC600-6S	1	6				7.20
NACC600-8S	1	8				9.60
NACC600-2B	3	2	600-4	2.62	2.50	2.50
NACC600-3B	3	3				3.70
NACC600-4B	3	4				4.80
NACC600-5B	3	5				6.00
NACC600-6B	3	6				7.20
NACC600-8B	3	8				9.60

Note: Available in black for UV protection. Add "black" to the end of the catalog number.

FLEX TAP INSULATED BAR CONNECTORS

TYPE NACC

Clear Insulated Secondary Connectors

600V

DUAL-RATED CONNECTORS
FOR ALUMINUM OR COPPER CONDUCTORS

- Connector fabricated from 6061-T6 aluminum alloy for conductivity and strength.
- Connector is encapsulated in clear PVC rated at 240 volts per mil.
- Clear cover allows visual inspection of conductors during installation.
- Fully tested to ANSI C119.4 for Class ‘A’ connectors.



Fig. 1
Top View



Fig. 2
Top View



Fig. 3
Top View

PATENTED

Catalog Number	Figure Number	No. of Cond.	Cond. Range AWG Alum - Copper	H	W	L
				Dimensions - Inches		
NACC750-2A	2	2	750-2	2.75	3.00	2.75
NACC750-3A	2	3				4.000
NACC750-2S	1	2	750-2	2.75	2.00	2.75
NACC750-3S	1	3				4.000
NACC750-4S	1	4				5.25
NACC750-5S	1	5				6.62
NACC750-6S	1	6				7.88
NACC750-8S	1	8				10.875
NACC750-2B	3	2	750-2	2.75	3.00	2.75
NACC750-3B	3	3				4.000
NACC750-4B	3	4				5.25
NACC750-5B	3	5				6.62
NACC750-6B	3	6				7.88
NACC750-8B	3	8				10.50

Notes:

- Dimensions are for Neutral Bar only. NOT for encapsulated part.
- Available in black for UV protection. Add "black" to the end of the catalog number.

ABOVE-GRADE SECONDARY CONNECTORS

TYPE D/DO

Space-Saver Secondary Connectors

600V

DUAL-RATED CONNECTORS FOR ALUMINUM OR COPPER CONDUCTORS

- Clear plated for low-contact resistance.
- Fully tested to ANSI C119.4 for Class ‘A’ connectors.
- Supplied with radial-tipped set-screws.
- 105°C Rated black plastisol cover available.
- Includes CO-OX oxide inhibitor in all conductor holes.
- Connector fabricated from 6061-T6 aluminum alloy for conductivity and strength.
- Each unit individually wrapped and labeled for ease of identification and cleanliness.
- For installation, CMC® recommends the use of a 9” insulated Allen wrench.



Catalog Number	No. of Cond.	Cond. Range AWG MM2	H	W	L	Plastisol Cover
			Dimensions - Inches Dimensions - (mm)			
DO-4I	4	1/0-14	1.25	0.75	1.25	N/A
		50-1.5	31.75	19.05	31.75	
DO-6I	6	1/0-14	1.25	0.75	1.91	N/A
		50-1.5	31.75	19.05	48.51	
DO-8I	8	1/0-14	1.25	0.75	2.57	N/A
		50-1.5	31.75	19.05	65.28	
D250-4I	4	250-12	2.00	1.00	1.75	DC4-350
		120-4	50.80	25.4	44.45	
D250-6I	6	250-12	2.00	1.00	2.65	DC6-350
		120-4	50.80	25.4	67.31	
D250-8I	8	250-12	2.00	1.00	3.56	DC8-350
		120-4	50.80	25.4	90.42	
D350-4I	4	350-12	2.50	1.00	2.11	DC4-350
		185-4	63.50	25.4	53.59	
D350-6I	6	350-12	2.50	1.00	3.21	DC6-350
		185-4	63.50	25.4	81.53	
D350-8I	8	350-12	2.50	1.00	4.30	DC8-350
		185-4	63.50	25.4	109.22	



Note: For omissions of CO-OX oxide inhibitor delete suffix - "I".

ABOVE-GRADE SECONDARY CONNECTORS

TYPE T

Space-Saver Secondary Connectors

600V

DUAL-RATED CONNECTORS FOR ALUMINUM OR COPPER CONDUCTORS

- Clear plated for low-contact resistance.
- Fully tested to ANSI C119.4 for Class 'A' connectors.
- Supplied with radial-tipped set-screws.
- 105°C Rated black plastisol cover available.
- Includes CO-OX oxide inhibitor in all conductor holes.
- Connector fabricated from 6061-T6 aluminum alloy for conductivity and strength.
- Each unit individually wrapped and labeled for ease of identification and cleanliness.
- For installation, CMC® recommends the use of a 9" insulated Allen wrench.

Catalog Number	Cond. Range		L	W	H	Plastisol Cover
	Main	Tap				
	MM2	MM2	Dimensions - (mm)			
T24-350-250I	350-1/0	250-12	3.00	1.88	2.25	DC350-4
	185-50	120-4	76.20	47.75	57.15	
T26-350-250I	350-1/0	250-12	3.00	1.88	2.56	DC350-6
	185-50	120-4	76.20	47.75	65.02	
T24-500-250I	500-3/0	250-12	3.00	1.88	2.25	DC500-4
	185-50	120-4	76.20	47.75	57.15	
T26-500-250I	500-3/0	250-12	3.00	1.88	2.56	DC500-6
	185-50	120-4	76.20	47.75	65.02	

Note: For omission of CO-OX oxide inhibitor, delete suffix - "I".



INSULATED WATERPROOF STREETLIGHT CONNECTORS

TYPE DSR

600V

- The DSR-K product is a hinged, single piece clamshell housing, each side filled with pre-cured insulating material and a 6061-T6 aluminum alloy connector.
- The housing provides physical protection to the insulating material and provides compression that is essential for the sealing properties.
- Simple to use - Install the conductors in the connector, position the connector in the cover and close the cover.
- Fully tested to ANSI C119.4 and C119.1 and Western Underground Guide 2.5.

Catalog Number	Conductor Range	Figure Number
DSR1/0-3K	1/0-14	1
	AL-CU	
DSR-2K	2-14	2
	AL-CU	
DSR-2/0K	2/0-14	3
	AL-CU	

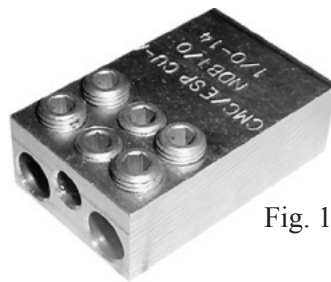


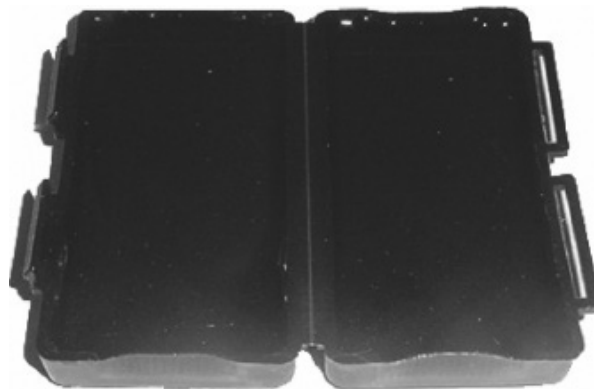
Fig. 1



Fig. 2



Fig. 3



Waterproof Cover

STREET LIGHT CONNECTORS

TYPE SLK/NACC

600V

DUAL-RATED CONNECTORS FOR ALUMINUM OR COPPER CONDUCTORS

- Connector fabricated from 6061-T6 aluminum alloy for conductivity and strength.
- Clear Plated for low contact resistance.
- Supplied with 6262-T9 aluminum alloy screws.
- Plastisol cover has dielectric strength of 240 volts per mil. nominal thickness 125 mils.

Catalog Number	Figure Number	Conductor Range	Number of Outlets
*SLK-1/0I	1	1/0-14	3
*SLK-2/0I	1	2/0-14	3
*D1/0-4SL	2	(4)1/0-14, (1) #12	5
*SLK-112I	3	(2)1/0-14, (2) #12	4
**NACC-2/0-3A	4	2/0-14	3
**NACC-2/0-3S	5	2/0-14	3

* Includes black plastisol cover

** Connector is encapsulated in clear plastisol. Available in black for UV protection, add "black" to the end of the catalog number.



Fig. 1



Fig. 2



Fig. 3

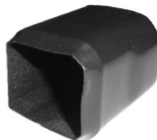


Fig. 4



Fig. 5

DUAL-RATED SPLICERS

TYPE WS

600V

Aluminum Splicer Reducers

DUAL-RATED CONNECTORS FOR ALUMINUM OR COPPER CONDUCTORS

- Clear plated for low-contact resistance.
- Fully tested to ANSI C119.4 for Class ‘A’ connectors.
- Supplied with radial-tipped set-screws.
- Connector fabricated from 6061-T6 aluminum alloy for conductivity and strength.
- Solid barrier center stop prevents contact of dissimilar metals.
- For installation, CMC® recommends the use of a 9” insulated Allen wrench.

Catalog Number	Figure Number	Cond. Range
		AWG
		MM2
WS-2I	1	2-12
		25-2.5
WS-1/0I	1	1/0-12
		50.25
WS-250I	1	250-6
		120-16
WS-350I	1	350-6
		185-16
WS-500I	1	500-3/0
		240-70
WSD-250I	2	250-6
		120-16
WSD-350I	2	350-6
		185-16
WSD500I	2	500-3/0
		240-70
WSD750I	2	750-250
		300-120
WSD1000I	2	1000-500
		500-24

Fig. 1

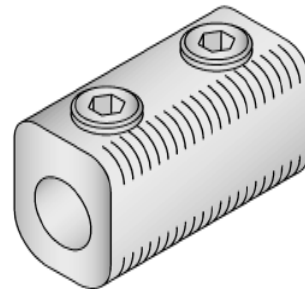
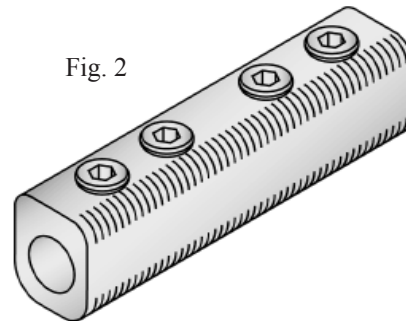


Fig. 2



Note: For omission of CO-OX oxide inhibitor, delete suffix - “I”.