

SUBMERSIBLE SECONDARY CONNECTORS

TYPE **SSBC350-S** NEXT GENERATION

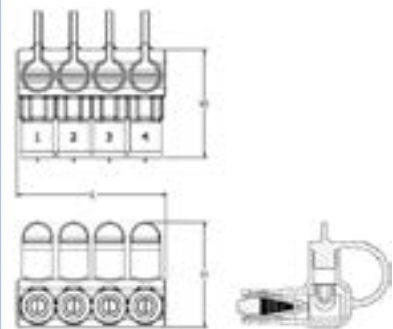
DUAL-RATED CONNECTORS
FOR ALUMINUM OR COPPER CONDUCTORS

When Superior
Becomes Masterful!

600V

- Additional ridges on rockets, ports, and caps added for an **enhanced seal**
- Patented **tethered cap** design eliminates the problem of lost caps
- Easy to install, **right-sized** for space-constrained handholes
- **Recyclable TPE** encapsulation provides improved insulating properties and sustainability
- Shorter wire way ports with support fins for **increased stability** and **eliminate gapping** around the conductor insulation seal
- Solid wire stop prevents conductor strands from piercing the insulation
- Crossmember design added to caps for a more **robust structure**
- Rounded edges withstand forceful installation techniques
- Made in the USA
- Range taking from #12 – 350kcmil
- High strength 6061-T6 aluminum alloy for maximum conductivity
- Listed to UL486A/B and UL486D
- Submersible and direct bury rated
- Custom configurations, including anodized screws and oxide inhibitor available upon request
- Clear plated for low-contact resistance.
- Supplied with aluminum set-screws.
- Includes silicone grease and CO-OX oxide inhibitor.
- Connector fabricated from 6061-T6 aluminum alloy for conductivity and strength.
- Each unit individually wrapped and labeled for ease of identification and cleanliness.
- For installation, CMC® recommends the use of a 9" insulated hex wrench (no tee handles).
- A torque wrench should be used to ensure the proper torque is achieved.

Catalog Number	No. of Cond.	Cond. Range	H	W	L
		AWG	Dimensions - Inches		
		MM2	Dimensions - (mm)		
SSBC350-2SI	2	350-12	3.30	3.39	2.44
		185-4	83.88	86.21	61.95
SSBC350-3SI	3	350-12	3.30	3.39	3.57
		185-4	83.88	86.21	90.60
SSBC350-4SI	4	350-12	3.30	3.39	4.70
		185-4	83.88	86.21	119.25
SSBC350-6SI	6	350-12	3.30	3.39	6.95
		185-4	83.88	86.21	176.56



Note: For omission of CO-OX oxide inhibitor delete suffix "-I".

SUBMERSIBLE SECONDARY CONNECTORS

TYPE **SSBC350-S** **NEXT GENERATION**

Environmentally sealed and suitable for use in below-grade boxes, above-ground pedestals, direct burial and street light applications.



SSBC350-2SI



SSBC350-3SI

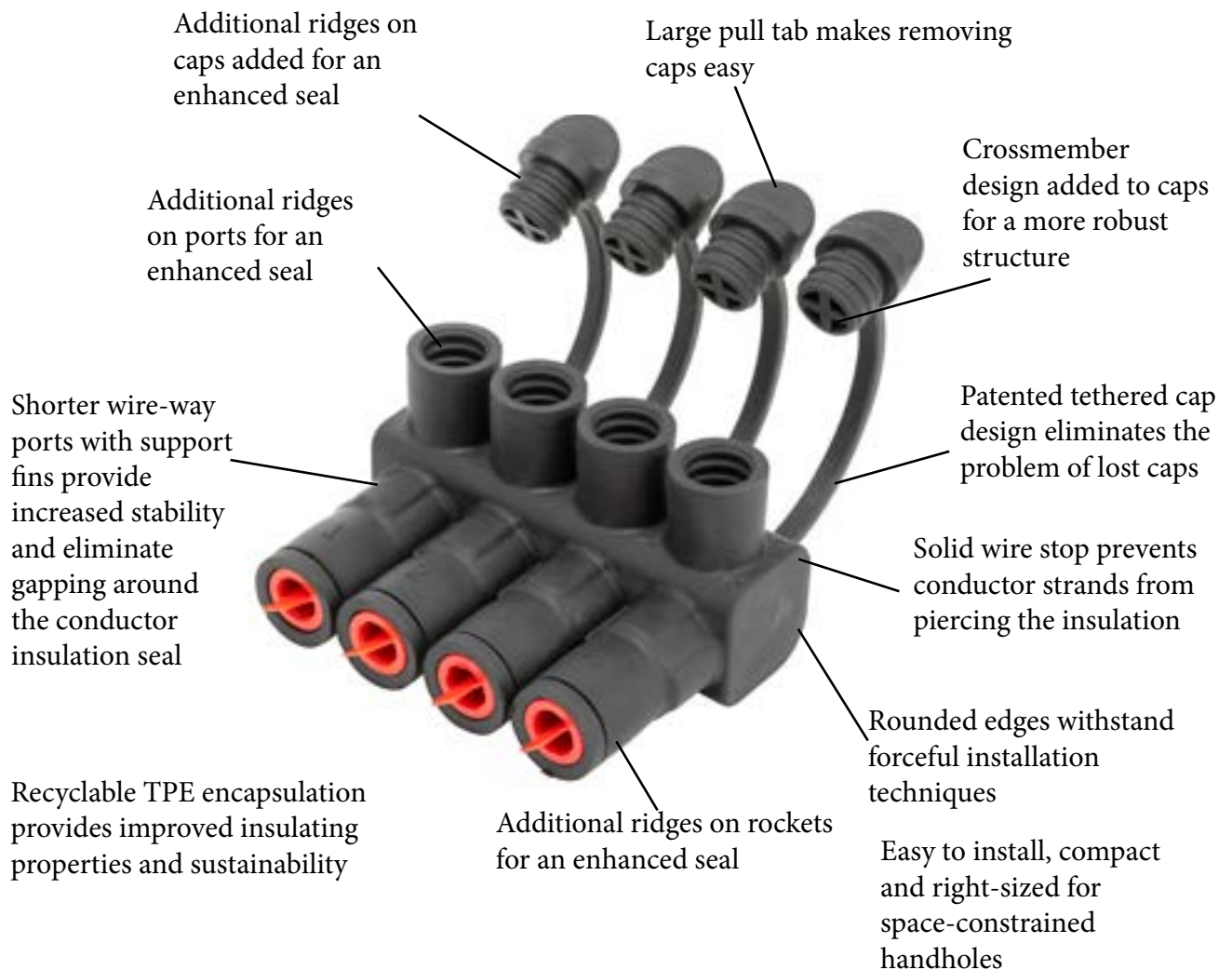


SSBC350-4SI



SSBC350-6SI

Enhancements



SUBMERSIBLE SECONDARY CONNECTORS

TYPE **SSBC350-L** (Wide-Port Spacing) EPDM Rubber Insulated Secondary Connectors

RUS Approved
600V

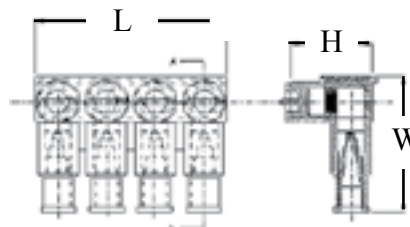
DUAL-RATED CONNECTORS FOR ALUMINUM OR COPPER CONDUCTORS



- User friendly wide-port spacing (50% more room for cable training).
- Multiple seals incorporated into caps and rockets.
- High quality EPDM rubber.
- Clear plated for low-contact resistance.
- Meets the performance requirements of ANSI C119.1, ANSI C119.4 and Western Underground Committee Guide 2.5.
- Supplied with aluminum set-screws.
- Includes silicone grease and CO-OX oxide inhibitor.
- Connector fabricated from 6061-T6 aluminum alloy for conductivity and strength.
- Each unit individually wrapped and labeled for ease of identification and cleanliness.
- For installation, CMC® recommends the use of a 9" insulated hex wrench (no tee handles).
- A torque wrench should be used to ensure the proper torque is achieved.



SSBC350-4LI



Catalog Number	No. of Cond.	Cond. Range	H	W	L
		AWG	Dimensions - Inches		
		MM2	Dimensions - (mm)		
SSBC350-3LI	3	350-12	2.75	4.21	4.02
		185-4	69.85	106.93	102.11
SSBC350-4LI	4	350-12	2.75	4.21	5.52
		185-4	69.85	106.93	140.21
SSBC350-5LI	5	350-12	2.75	4.21	7.02
		185-4	69.85	106.93	178.31
SSBC350-6LI	6	350-12	2.75	4.21	8.52
		185-4	69.85	106.93	216.41
SSBC350-8LI	8	350-12	2.75	4.21	11.52
		185-4	69.81	106.93	292.61

*Note: For omission of CO-OX oxide inhibitor delete suffix "-I".
For orange screw plugs add suffix "-V"*

SUBMERSIBLE SECONDARY CONNECTORS

TYPE **SSBC-S/E** (Standard Spacing)

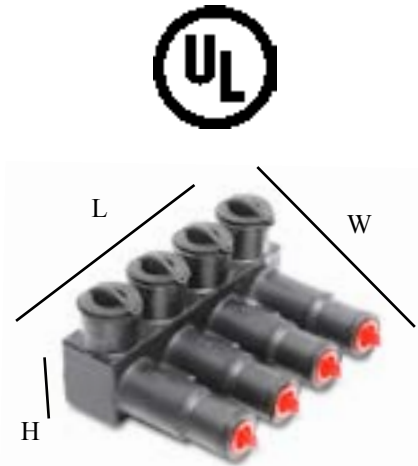
EPDM Rubber Insulated Secondary Connectors

RUS Approved
600V

DUAL-RATED CONNECTORS
FOR ALUMINUM OR COPPER CONDUCTORS

- Clear plated for low-contact resistance
- Meets the performance requirements of ANSI C119.1, ANSI C119.4 and Western Under ground Committee Guide 2.5.
- Supplied with aluminum set-screws.
- Includes silicone grease and CO-OX oxide inhibitor.
- Connector fabricated from 6061-T6 aluminum alloy for conductivity and strength.
- Each unit individually wrapped and labeled for ease of identification and cleanliness.
- For installation, CMC® recommends the use of a 9" insulated hex wrench (no tee handles).
- A torque wrench should be used to ensure the proper torque is achieved.

Catalog Number	No. of Cond.	Cond. Range	H	W	L
		AWG	Dimensions - Inches		
		MM2	Dimensions - (mm)		
SSBC350-2EI	2	350-12	2.46	4.06	2.32
		185-4	62.48	103.13	58.93
SSBC350-3EI	3	350-12	2.46	4.06	3.51
		185-4	62.48	103.13	89.15
SSBC350-4EI	4	350-12	2.46	4.06	4.72
		185-4	62.48	103.13	119.88
SSBC350-5EI	5	350-12	2.46	4.06	5.93
		185-4	62.48	103.13	150.62
SSBC350-6EI	6	350-12	2.46	4.06	7.14
		185-4	62.48	103.13	181.35
SSBC500-3SI	3	500-12	2.83	4.58	4.25
		240-4	79.5	116.33	109.95
SSBC500-4SI	4	500-12	2.83	4.58	5.63
		240-4	79.5	116.33	143
SSBC500-5SI	5	500-12	2.83	4.58	7.01
		240-4	79.5	116.33	178.05
SSBC500-6SI	6	500-12	2.83	4.58	8.39
		240-4	79.5	116.33	213.11
SSBC500-7SI	7	500-12	2.83	4.58	9.77
		240-4	79.5	116.33	248.16
SSBC500-8SI	8	500-12	2.83	4.58	11.15
		240-4	79.5	116.33	283.21
SSBC500-9SI	9	500-12	2.83	4.58	12.53
		240-4	79.5	116.33	318.26



Note: For omission of CO-OX oxide inhibitor delete suffix - "I". For orange screw plugs add suffix - "V"

SUBMERSIBLE SECONDARY CONNECTORS

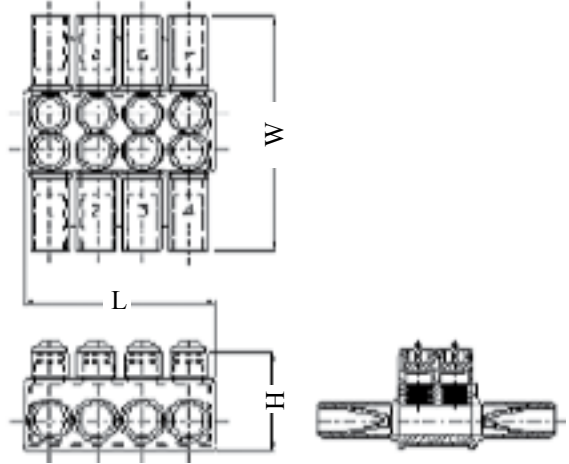
TYPE **SSBC/DESS**

EPDM Rubber Insulated Secondary Connectors

RUS Approved
600V

DUAL-RATED CONNECTORS FOR ALUMINUM OR COPPER CONDUCTORS

- Clear plated for low-contact resistance.
- Meets the performance requirements of ANSI C119.1, ANSI C119.4 and Western Underground Committee Guide 2.5.
- Fully tested to ANSI 119.4 for Class 'A' connectors.
- Includes CO-OX oxide inhibitor.
- Supplied with aluminum set-screws.
- Connector fabricated from 6061-T6 aluminum alloy for conductivity and strength.
- Each unit individually wrapped and labeled for ease of identification and cleanliness.
- For installation, CMC® recommends the use of a 9" insulated hex wrench (no tee handles).
- A torque wrench should be used to ensure the proper torque is achieved.



Catalog Number	No. of Cond.	Cond. Range	H	W	L
SSBC750-3I	3	750-2	3.065	5.42	4.57
SSBC750-4I	4	750-2	3.065	5.42	6.13
SSBC750-5I	5	750-2	3.065	5.42	7.69
SSBC750-6I	6	750-2	3.065	5.42	9.25
SSBC750-7I	7	750-2	3.065	5.42	10.81
SSBC750-8I	8	750-2	3.065	5.42	12.37
DESS750-3I	3	750-2	3.065	8.15	4.57
DESS750-4I	4	750-2	3.065	8.15	6.13
DESS750-5I	5	750-2	3.065	8.15	7.69
DESS750-6I	6	750-2	3.065	8.15	9.25
DESS750-7I	7	750-2	3.065	8.15	10.81
DESS750-8I	8	750-2	3.065	8.15	12.31



SSBC



DESS

Note: For omission of CO-OX oxide inhibitor delete suffix - "I".

For orange screw plugs add suffix - "V"

OVERHEAD OR SUBMERSIBLE SECONDARY CONNECTORS

TYPE **SSBC750**

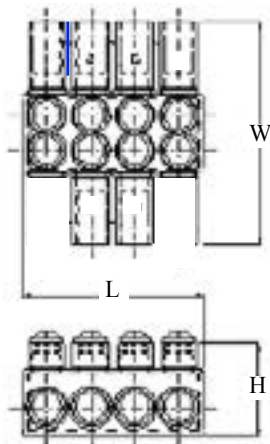
EPDM Rubber Insulated Secondary Connectors

RUS Approved
600V

- Clear plated for low-contact resistance.
- Meets the performance requirements of ANSI C119.1, ANSI C119.4 and Western Underground Committee Guide 2.5.
- Fully tested to ANSI C119.4 for Class 'A' connectors.
- Includes CO-OX oxide inhibitor and silicon grease.
- Supplied with aluminum set-screws.
- Connector fabricated from 6061-T6 aluminum alloy for conductivity and strength.
- Each unit individually wrapped and labeled for ease of identification and cleanliness.
- For installation, CMC® recommends the use of a 9" insulated hex wrench (no tee handles).
- A torque wrench should be used to ensure the proper torque is achieved.

Catalog Number	No. of Cond.	Cond. Range	H	W	L
SSBC750-1-1	2	750-2	3.07	8.50	4.57
SSBC750-2-1	3	750-2	3.07	8.50	4.57
SSBC750-3-1	4	750-2	3.07	8.50	6.13
SSBC750-4-1	5	750-2	3.07	8.50	7.69
SSBC750-4-2	6	750-2	3.07	8.50	9.25
SSBC750-6-2	8	750-2	3.07	8.50	10.81

*Note: Order using first number (SSBC-750-4-2) for outlets needed on one side;
And second number (SSBC750-4-2) for outlets needed on opposite side.*



SUBMERSIBLE SECONDARY CONNECTORS

TYPE **ULS**

EPDM Rubber Insulated Secondary Connectors (Submersible)

RUS Approved
600V

DUAL-RATED CONNECTORS
FOR ALUMINUM OR COPPER CONDUCTORS

- Clear plated for low-contact resistance.
- Fully tested to ANSI C119.1 and Western Underground Guide 2.5 for submersible applications.
- Fully tested to ANSI C119.4 for Class 'A' connectors.
- Supplied with aluminum set-screws.
- Includes silicone grease and CO-OX oxide inhibitor.
- Connector fabricated from 6061-T6 aluminum alloy for conductivity and strength.
- Each unit individually wrapped and labeled for ease of identification and cleanliness.
- For installation CMC® recommends the use of a 9" insulated hex wrench (no tee handles).
- A torque wrench should be used to ensure the proper torque is achieved.

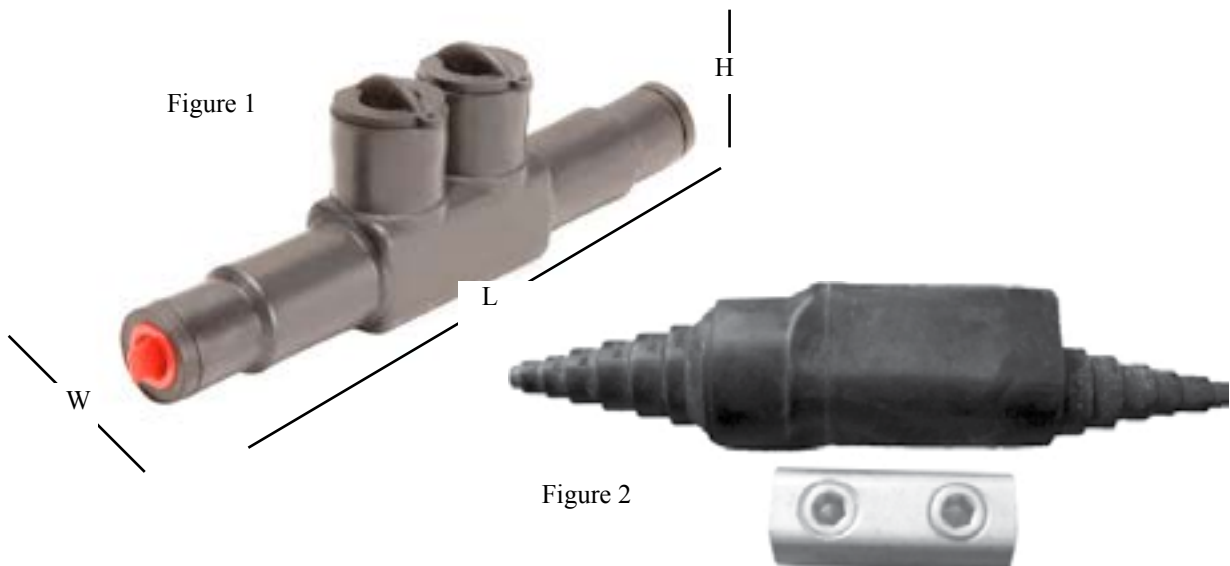
Catalog Number	Fig. No.	Cond. Range	H	W	L
			Dimensions - Inches		
ULS2-350I	1	350-12	2.48	1.34	8.09
ULS2-500I	1	500-10	2.80	1.60	8.09
*ULS2-350-II	2	350-12	1.90	1.65	8.50



* Not UL listed

Note: For omission of CO-OX oxide inhibitor delete suffix - "I".

For orange screw plugs add suffix - "V".



INSULATED WATERPROOF STREETLIGHT CONNECTORS

TYPE DSR

600V

- The DSR-K product is a hinged, single piece clamshell housing, each side filled with pre-cured insulating material and a 6061-T6 aluminum alloy connector.
- The housing provides physical protection to the insulating material and provides compression that is essential for the sealing properties.
- Simple to use - Install the conductors in the connector, position the connector in the cover and close the cover.
- Fully tested to ANSI C119.4 and C119.1 and Western Underground Guide 2.5.
- Gel pack, water proof cover is included in kits.

Catalog Number	Conductor Range	Figure Number
DSR1/0-3K	1/0-14 AL-CU	1
DSR-2K	2-14 AL-CU	
DSR-2/0K	2/0-14 AL-CU	2
SR 4/0 K	2-4/0 AL-CU	3



To order only the Gel Pack Waterproof Cover - Cat # NBD1/0



UNDERGROUND CONNECTORS

TYPE **BRD**

600V

Submersible Pedestal Set Screw Connector for Direct Burial or Below-Grade Boxes

DUAL-RATED CONNECTORS FOR ALUMINUM OR COPPER CONDUCTORS

- Patented, one-piece extruded aluminum body.
- Dual purpose rubber TLS Torpedo cover furnished on all outlets /field cut at marked steps to accommodate specified conductor size.
- High capacity bus provides assurance of reliable performance under adverse conditions.
- Set-screws accept 5/16" Allen wrench.
- Meets performance requirements of ANSI C119.1, ANSI C119.4 for Class 'A' and Western Underground Committee Guide 2.5.
- Installation instructions and silicon lubricant included.

Material:
 Body - Extruded aluminum 6061-T6 alloy
 Hardware - Aluminum round bottom set-screws
 Insulation - EDPM rubber

The listed wire range is without a street light connection made in the same port. When a street light conductor is installed in the same port with a feeder or service conductor, the maximum size rating listed on this page, is reduced as follows:

- With a #10, the max is 300 Str.
- With a #8, the max is 250 Str.
- With a #6, the max is 4/0 Str.
- With a #4, the max is 3/0 Str.

Catalog Number	Number of Outlets	Conductor Range	H	W				
			Dimensions - Inches					
			Dimensions- (mm)					
BRD2-350TSXB	2	350-12	6.75	171	3.67			
					93			
					5.86			
					149			
					7.71			
					196			
BRD3-350TSXB	3		500-12	6.75	171	9.61		
						244		
BRD4-350TSXB	4			500-12	6.75	171	11.49	
							292	
BRD5-350TSXB	5				500-12	6.75	171	15.24
								387
BRD6-350TSXB	6	500-12	6.75			171	3.67	
							93	
BRD2-500TSXB	2		500-12	6.75		171	5.53	
							140	
BRD3-500TSXB	3			500-12	6.75	171	7.39	
							188	
BRD4-500TSXB	4	500-12			6.75	171	9.61	
							244	
BRD5-500TSXB	5		500-12		6.75	171	11.11	
							282	
BRD6-500TSXB	6			500-12	6.75	171	14.82	
							376	
BRD8-500TSXB	8	500-12			6.75	171		



Note: Add suffix "SL" for one Torpedo to have dual outlets to accommodate a street light conductor.

UNDERGROUND CONNECTORS

TYPE **BRDD**

600V

Submersible Pedestal Set Screw Connector for Direct

Burial or Below-Grade Boxes

DUAL-RATED CONNECTORS FOR ALUMINUM OR COPPER CONDUCTORS

- Patented, one-piece extruded aluminum body.
- Dual purpose rubber TLS Torpedo cover furnished on all outlets /field cut at marked steps to accommodate specified conductor size.
- High capacity bus provides assurance of reliable performance under adverse conditions.
- Set-screws accept 5/16" Allen wrench.
- Meets performance requirements of ANSI C119.1, ANSI C119.4 for Class 'A' and Western Underground Committee Guide 2.5.
- Installation instructions and silicon lubricant included.

Material:

Body - Extruded aluminum 6061-T6 alloy
Hardware - Aluminum round bottom set-screws
Insulation - EDPM rubber

The listed wire range is without a street light connection made in the same port. When a street light conductor is installed in the same port with a feeder or service conductor, the maximum size rating listed on this page, is reduced as follows:

- With a #10, the max is 300 Str.
- With a #8, the max is 250 Str.
- With a #6, the max is 4/0 Str.
- With a #4, the max is 3/0 Str.

Catalog Number	No. of Outlets	Conductor Range	H	W
			Dimensions - Inches	
			Dimensions- (mm)	
BRDD2-350TSXB	2	350-12	6.75 171	3.35
BRDD3-350TSXB	3			5.20
BRDD4-350TSXB	4			7.06
BRDD5-350TSXB	5			8.92
BRDD6-350TSXB	6			10.78
BRDD8-350TSXB	8			14.50
BRDD2-500TSXB	2	500-12	6.75 171	3.35
BRDD3-500TSXB	3			5.20
BRDD4-500TSXB	4			7.06
BRDD5-500TSXB	5			8.92
BRDD6-500TSXB	6			10.78
BRDD8-500TSXB	8			14.50



UNDERGROUND CONNECTORS

TYPE UC

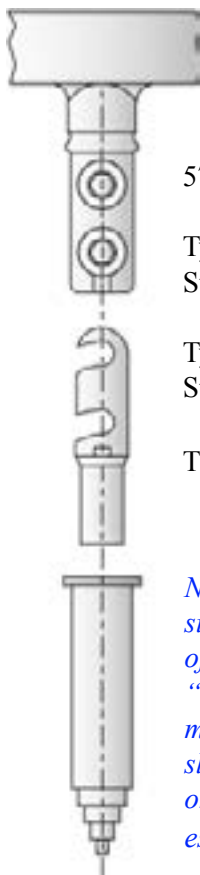
600V

Submersible "RESIDENTIAL EEL" Pedestal Connector used with LA and LA2 Compression Lugs for Direct Burial or Below-Grade Boxes.

DUAL-RATED CONNECTORS
FOR ALUMINUM OR COPPER CONDUCTORS

- Meets the performance requirements of ANSI C119.1, ANSI C119.4 and Western Underground Committee Guide 2.5.
- Terminal pads are supplied assembled with 3/8" diameter hex head cap screws and captive Belleville washer.
- Pads include interlocking features with terminal lugs to prevent twisting. Allows field attachments of lugs to be made without removing hardware assemblies.

Material:
Casting: Aluminum
Hardware: Plated steel cap screws and washers
Insulation: PVC



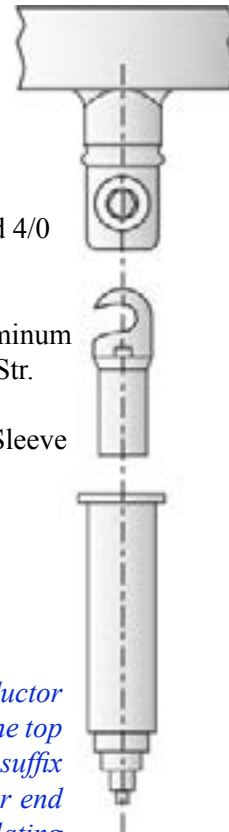
572 Amps and 500 kcmil

Type LA2 Aluminum lug 4 Str. - 500 Str.

Type LCL copper lug 1/0 Str. - 500 Str.

TL Torpedo Sleeve

Note: Optional set-screw type street light taps for conductor sizes from 12 Sol. - 4 Str. can be provided either on the top of the bus or at one end. To specify top mounting, add suffix "SL" to the listed catalog number or add "SL1" for end mounting. Rubber cover, which doubles as an insulating sleeve, is supplied. Lugs and Torpedo sleeves must be ordered separately. Specific accessory selections can be established, based upon the information on these pages.



356 Amps and 4/0 AWG

Type LA Aluminum 12 Str. - 4/0 Str.

TS Torpedo Sleeve

UNDERGROUND CONNECTORS

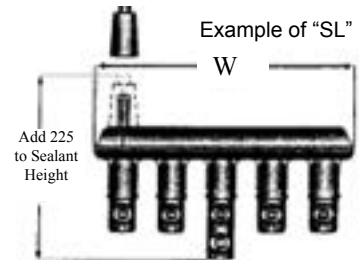
TYPE UC

600V

Submersible "RESIDENTIAL EEL" Pedestal Connector used with LA and LA2 Compression Lugs for Direct Burial or Below-Grade Boxes

DUAL-RATED CONNECTORS FOR ALUMINUM OR COPPER CONDUCTORS

- Terminal pads are supplied assembled with 3/8" diameter hex head cap screws and captive Belleville washer.
- Pads include interlocking feature with terminal lugs to prevent twisting. Allows field attachments of lugs to be made without removing hardware assemblies.
- Meet the performance requirements of ANSI C119.1, ANSI C119.4 and Western Underground Committee Guide 2.5.



Material:
Body - Casting - Aluminum
Hardware - Plated steel cap screws and washers
Insulation - PVC

Catalog Number	Total Number	No. of Terminal		Dimensions - Inches (mm)			Approx. Wt. 100 LBS. (KG)
		1-Bolt Term.	2-Bolt Term.	H	W	Sealed Height	
UC30	3	3	0	3.38 (86)	5.31 (134)	7.13 (191)	60 (27)
UC31	3	2	1	4.31 (109)	5.69 (144)	9.38 (238)	82 (37)
UC33	3	0	3	4.31 (109)	6.06 (154)	9.38 (238)	128 (58)
UC40	4	4	0	3.38 (86)	7.19 (183)	7.13 (191)	78 (35)
UC41	4	3	1	4.31 (109)	7.69 (195)	9.38 (238)	100 (45)
UC42	4	2	2	4.31 (109)	7.94 (202)	9.38 (238)	123 (56)
UC44	4	0	4	4.31 (109)	8.19 (208)	9.38 (238)	155 (70)
UC50	5	5	0	3.38 (86)	9.06 (230)	7.13 (191)	98 (44)
UC51	5	4	1	4.31 (109)	9.06 (230)	9.38 (238)	121 (55)
UC52	5	3	2	4.31 (109)	9.19 (249)	9.38 (238)	142 (64)
UC55	5	0	5	4.31 (109)	10.31 (262)	9.38 (238)	198 (90)
UC60	6	6	0	3.31 (86)	10.31 (278)	7.13 (191)	121 (55)
UC61	6	5	1	4.38 (109)	11.44 (290)	9.38 (238)	144 (65)
UC62	6	4	2	4.31 (109)	11.69 (297)	9.38 (238)	167 (76)
UC66	6	0	6	4.31 (109)	12.44 (316)	9.38 (238)	233 (106)
UC81	8	7	1	4.31 (109)	15.19 (386)	9.38 (238)	188 (85)
UC88	8	0	8	4.31 (109)	16.69 (424)	9.38 (238)	342 (155)



UC30



UC31



UC33

Note: Optional set-screw type street light taps for conductor sizes from 12 Sol. - 4 Str. can be provided either on the top of the bus or at one end. To specify top mounting, add suffix "SL" to listed catalog number or add "SL1" for end mounting. Rubber cover which doubles as an insulating sleeve is supplied. Lugs and Torpedo sleeves must be ordered separately. Specific accessory selections can be established based upon the information on these pages.

UNDERGROUND COMPRESSION CONNECTORS

TYPE LA

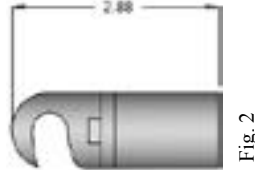
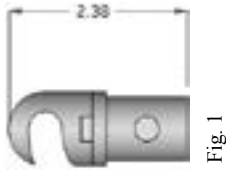
600V

Aluminum Terminal Lugs and Tap Kits for use on UC Connectors

DUAL-RATED CONNECTORS
FOR ALUMINUM OR COPPER CONDUCTORS

Material:
Terminal - Aluminum

- Offered as individual terminal lugs or in kit form, complete with a Torpedo sleeve. Kits are offered in two types: One type consists of the lug and uncut torpedo cover The other consists of the lug and a Torpedo sleeve factory cut at the appropriate conductor step to match the wire size of a particular lug.
- Hook-on terminal lugs have side tabs to mate with locking recesses provided in the corresponding pads of “RESIDENTIAL EEL” series types UC.
- Common die terminal lugs are pre-filled with electrical joint compound and capped with color coded plugs. Field instructions and lubricant are supplied with kits.
- Meets the performance requirements of ANSI C119.1, ANSI C119.4 and Western Underground Committee Guide 2.5.



Catalog Number			Fig. No.	Conductor Sizes			Color Code	Crimping Dies
Terminal Lug Only	Terminal Kit with Uncut Torpedo	Terminal Kit with Cut Off Torpedo		Concentric Round & Compressed Str.	Solid	Compact Str.		
LA14	LA14-TS	LA14-TS1	1	12 to 4	10-4	14	Orange	n/a
LA12	LA12-TS	LA12-TS1	2	12	10	12		
LA10	LA10-TS	LA10-TS1	2	10	10	10		
LA8	LA8-TS	LA8-TS1	2	8	6	8		
LA6	LA6-TS	LA6-TS1	2	6	4	6		Blue
LA4	LA4-TS	LA4-TS1	2	4	3	4		Orange
LA3	LA3-TS	LA3-TS1	2	3	2	-		Red
LA2	LA2-TS	LA2-TS2	2	2	1	2		White
LA1/0	LA1/0-TS	LA1/0-TS2	2	1/0	2/0	1/0		Yellow
LA2/0	LA2/0-TS	LA2/0-TS3	2	2/0	3/0	2/0		Gray
LA3/0	LA3/0-TS	LA3/0-TS3	2	3/0	4/0	3/0	Black	
LA4/0	LA4/0-TS	LA4/0-TS3	2	4/0	-	4/0	Pink	
LA250	LA250-TL	LA250-TL6	3	0	-	250	Green	Kearney 1-1/8 Burndy 655 705, 717 Alcoa B13AH Homac-T&B Code 94 or 96 EE1-13A
		LA250-TL7	3	250 266.8	-	-	Green	
LA350	LA350-TL	LA350-TL7	3	300	-	350	Brown	
				350				
LA500	(1) LA500-TL	(1) LA500-TL7	3	400	-	500	Aqua	
	(1) LA500-TL	(1) LA500-TL8	3	500	-	-	Aqua	

Note: The minimum cable jacket O.D. which can be used to obtain a sealed joint is 0.220 inch; Types USE & RHW 600 volt conductors meet this need. This size does not meet class A 500 cycle EEI-NEMA rating but exceeds ampacity rating of 350 KCM XLP AA conductor and may be used for applications where 500 KCM is being used for voltage drop considerations versus ampacity.

UNDERGROUND COMPRESSION CONNECTORS

TYPE LA2

600V

Aluminum Terminal Lugs and Tap Kits for Use on UC Connectors

DUAL-RATED CONNECTORS
FOR ALUMINUM OR COPPER CONDUCTORS

Material:
Terminals - Aluminum

- Offered as individual terminal lugs or in kit form complete with a Torpedo sleeve. Kits are offered in two types: one type consists of the lug and uncut Torpedo cover; The other consists of the lug and a Torpedo sleeve factory cut, at the appropriate conductor step to match the wire size of a particular lug.
- Hook-on terminal lugs have side tabs to mate with locking recesses provided in the corresponding pads of "RESIDENTIAL EEL" series types UC.
- Common die terminal lugs are pre-filled with electrical joint compound and capped with color coded plugs. Field instructions and lubricant are supplied with kits.
- Meets the performance requirements of ANSI C119.1, ANSI C119.4 and Western Underground Committee Guide 2.5.

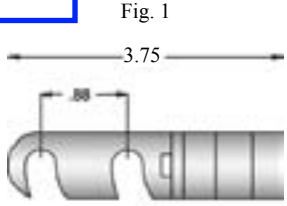


Fig. 1

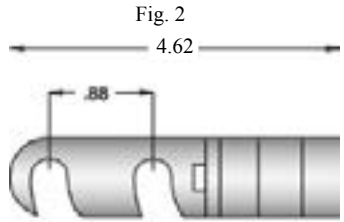


Fig. 2

Catalog Number			Fig. No.	Conductor Sizes			Color Code	Crimping Dies	Approx. Wt. LBS. (KG)
Terminal Lug Only	Terminal Kit with Uncut Torpedo	Terminal Kit with Cut Off Torpedo		Concentric Round & Compressed Str.	Solid	Compact Str.			
LA2-4	LA2-4TL	LA2-4TL4	1	4	3	4	Orange	EE1-11A Kearney Burndy WK840 U-K840, U249 T&B TX or 76H Alcoa 11AH	14 (6)
LA2-3	LA2-3TL	LA2-3TL4	1	3	2	0	Orange		14 (6)
LA2-2	LA2-2TL	LA2-2TL5	1	2	1	2	Red		14 (6)
LA2-1	LA2-1TL	LA2-1TL5	1	1	1/0	1	White		14 (6)
LA2-1/0	LA2-1/0TL	LA2-1/0TL5	1	1/0	2/0	1/0	Yellow		14 (6)
LA2-2/0	LA2-2/0TL	LA2-2/0TL5	1	2/0	3/0	2/0	Gray		13 (6)
LA2-3/0	LA2-3/0TL	LA2-3/0TL6	1	3/0	4/0	3/0	Black		12 (5)
LA2-4/0	LA2-4/0TL	LA2-4/0TL6	1	4/0	0	4/0	Pink		11 (5)
LA2-250	LA2-250TL	LA2-250TL6	2	-	0	250 kcmil	Green	Kearney 1-1/8 Burndy 655 705, 717 Alcoa B13AH Homac- T&B Code 94 or 96 EE1-13A	30 (14)
LA2-250	LA2-250TL	LA2-250TL7	2	250 kcmil	-	-	Green		30 (14)
				266.8 kcmil	-	-			
LA2-350	LA2-350TL	LA2-350TL7	2	300 kcmil	-	350 kcmil	Brown		30 (14)
				350 kcmil	-	-			
LA2-500	LA2-500TL	LA2-500TL7	2	400 kcmil	-	500 kcmil	Aqua	31 (14)	
	LA2-500TL	LA2-500TL8	2	500 kcmil	-	-	Aqua	31 (14)	

UNDERGROUND CONNECTORS

600V

TYPE AL

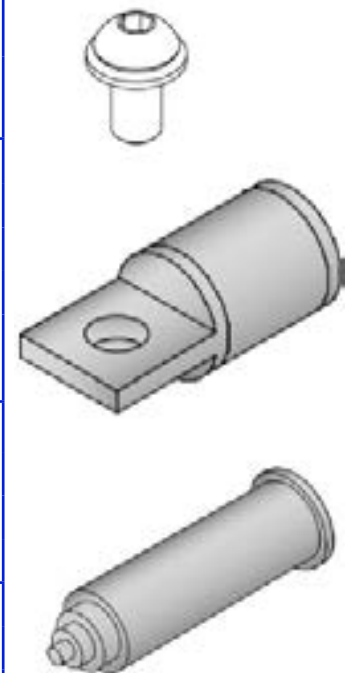
Aluminum Compression Lugs and Tap Kits for Type RD Connectors

DUAL-RATED CONNECTORS
FOR ALUMINUM OR COPPER CONDUCTORS

- Kit includes crimp connector inhibited with rubber compatible sealant, rubber TS Torpedo sleeve, 3/8" button-head Allen screw with captive Belleville washer and installation instructions.
- Meets the performance requirements of ANSI C119.1, ANSI C119.4 and Western Underground Committee Guide 2.5.

Material:
Lugs - Aluminum

Catalog Number	Catalog Number	Conductor Range			Common Crimping Dies
		Concentric Round Str.	Compact Str.	Solid Alum.	
Lug	Lug With Torpedo				
AL10	AL10TS	10	8	8	5/8 BG 243 EEI-8A
AL8	AL8TS	8	8	6	
AL6	AL6TS	6	6	4	
AL4	AL4TS	4	4	2	
AL2	AL2TS	2 & 1	2 & 1	1/0	
AL1/0	AL1/0TS	1/0	1/0 & 2/0	0	
AL1/0A	AL1/0ATS	1/0	1/0 & 2/0	2/0	840 249 EEI-11A
AL2/0	AL2/0TS	2/0	2/0	-	
AL3/0	AL3/0TS	3/0	3/0	-	
AL4/0	AL4/0TS	4/0	4/0-250	-	
AL250	AL250TS	4/0-250	250	-	299, 655
AL300	AL300TS	250-300	300	-	705, EEI
AL350	AL350TS	300-350	350	-	12A, 13A
AL350S	AL350STS	300-350	350	-	840, 845, 249, 11A



Notes: Add suffix "HH" to specify hex head fasteners in lieu of the hex socket button-head type.

UNDERGROUND CONNECTORS

TYPE **SLC/T/TSC**

**Rubber Covers/Sleeves for Submersible Connectors
RD, BRD, UC, UCB and UCD**

Material:
EPDM
Rubber

600V

The following is a directory of rubber components used or supplied with various connectors:

Catalog Number	General Description	Fig No.	Cable End	Other End O.D. - IN.	Overall Length Inches - (MM)		Usable Internal Length Inches - (MM)	
SLC1	Small cover used on street light.	1	4-14.	.067 - .94	2.28	(5.8)	0	0
TS	For single bolt UC & RD series junction connectors.	2	350-12	1.06 - 1.18	7.9	(201)	4.42	(112)
TL	For two bolt UC series and single bolt HFS series junctions connectors.	2	500-12	1.30 - 1.50	9.34	(237)	5.97	(152)
TH	For "commercial" size two bolt terminal pad and lug connections including the UCD types.	2	1000-2	1.95 - 2.20	14.31	(363)	9.42	(239)
TLS	For single set-screw terminals where 1 connector is installed including BRD type.	3	500-12	1.39 - 1.50	5.86	(149)	N/A	N/A
TKSL	For single set-screw terminals where a street-light tap will be installed along with a feeder or a service conductor.	3	One only 350-6 and One only 4-12	1.30 - 1.50	5.36	(136)	N/A	N/A
TSCSC	These are three sizes of end caps used as splice chamber cable closures on TSC and HSS splice covers or equivalent. May also be used to cap conduit.	4	350-12	1.24 - 1.40 (inc. 1.00 IPS)	3.25	(83)	N/A	N/A
TSCLC			500-12	1.52 - 1.72 (Inc. 1.25 IPS)	3.87	(98)	N/A	N/A
TSCHC			750-12	2.15 - 2.40 (Inc. 2.00 IPS)	4.81	(122)	N/A	N/A



Fig 1



Fig 2



Fig 3



Fig 4

SUBMERSIBLE SPLICES

Material:
EPDM rubber

TYPE TSC

Submersible EPDM Rubber Splice Covers

600V

- EPDM rubber covers for insulating 600 volt compression splice connections including those subject to water submersion at head pressures of three feet or less. Also suitable for direct burial. Ends have stepped sealed surfaces to accommodate a wide variety of conductor sizes. Installer cuts off these ends to fit the specific application.
- Meets the performance requirements of ANSI C119.1, ANSI C119.4 and Western Underground Committee Guide 2.5

Catalog Number	Conductor Sealing Range		Length	Inside Dia. I.D.	Maximum Size of Uncompressed Sleeve	
	600 V Min. - Max.	O.D. in Inches Min. - Max.			Inside Chamber Dimensions Inches (MM)	O.D.
	TSCS	400-12	.22 - .96	4.75 (121)		
TSCL	500-12	.22 - 1.16	6.28 (160)	1.28 (32)	1.188 (30)	5.00 (127)
TSCH	1000-12	.22 - 1.40	9.62 (244)	1.840 (48)	1.840 (47)	8.00 (127)



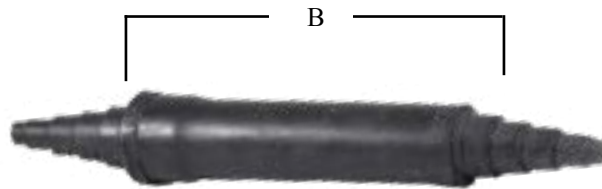
SUBMERSIBLE SPLICE COVERS

TYPE **SSI**

600V

Flexible Rubber Covers for Insulating

- 600 volt compression splice connections including those subject to water submersion; Suitable for direct burial. Ends have stepped sealing surfaces to accommodate a wide variety of conductor sizes.
- Maintains watertight integrity and full insulating value in all direct buried, underground networks, residential and overhead service joints.
- Taping is eliminated and splice preparation time is significantly reduced.
- Meets the performance requirements of ANSI C119.1, ANSI C119.4 and Western Underground Committee Guide 2.5.



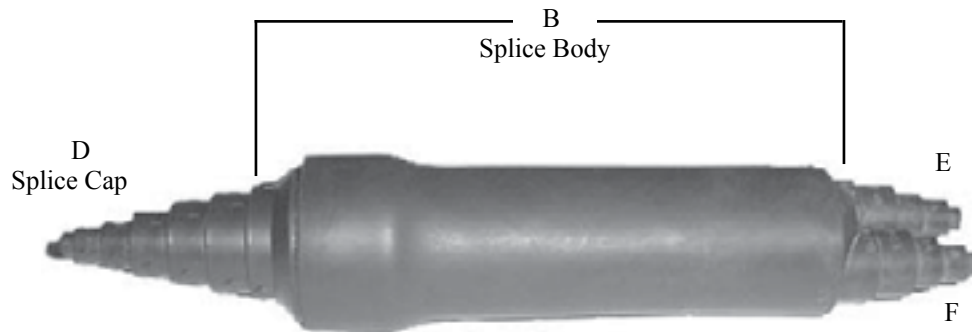
Catalog Number	Copper Cond. Range	Aluminum Cond. Range	Cable Insulation Diameter Range	B Inches	Diameter Inches	Uncompressed Splice Size	
						O.D.	O.A.L.
SSI-20	2/0-14	2/0-14	.150 - .600	4.4	0.84	0.75	3
SSI-500	500-14	500-14	.150 - 1.175	5.3	1.25	1.188	4
SSI-500L	500-14	500-14	.150 - 1.175	7.7	1.35	1.188	6

Note: SSI covers are supplied without connectors

Three Wire Twin Tap Cover

Catalog Number	Length - Inches B	Cable Range		
		D	E	F
DTI-500	5.3	500-14	250-14	250-14

Note: DTI-500 Supplied without connector



UNDERGROUND CONNECTORS

TYPE ESC

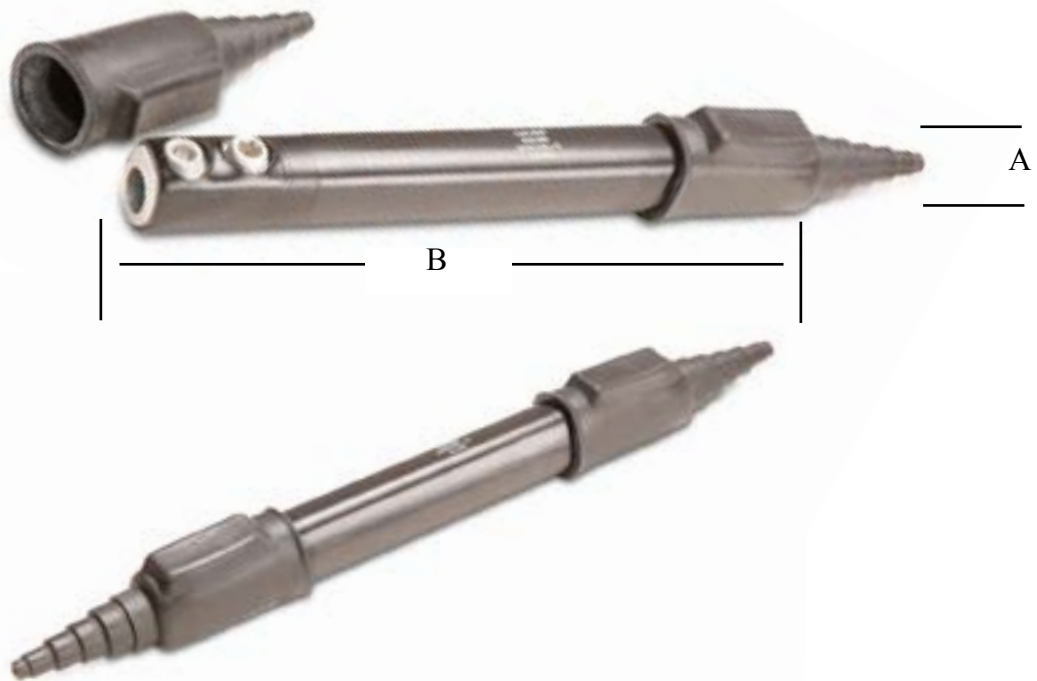
Mechanical Underground Cable Repair Splice

600V

- Dual rated for aluminum or copper conductors
- Cable repair made easy - only a 5/16 Hex Wrench is needed to install this mechanical splice.
- Insulation is electrical grade PVC.
- Boots are watertight EPDM rubber.
- Repairs 350 kcmil down to #10 wire sizes.
- For installation CMC® recommends the use of a 9" insulated Allen wrench.

Catalog Number	Conductor Range	A	B
	AWG	Inches	Inches
ESC350-12I	350-12	1.38	12
ESC350-18I	350-12	1.38	18
ESC350-24I	350-12	1.38	24

Note: Standard length is 12 inches. Available in 6 inch increments up to 48 inches. Includes watertight EPDM insulating sleeves.



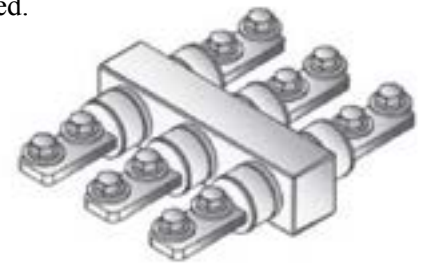
UNDERGROUND CONNECTORS

TYPE UCC

Submersible Connector for Direct Burial, Below-Grade Boxes, and Network Underground. For Use with Copper Compression Lugs

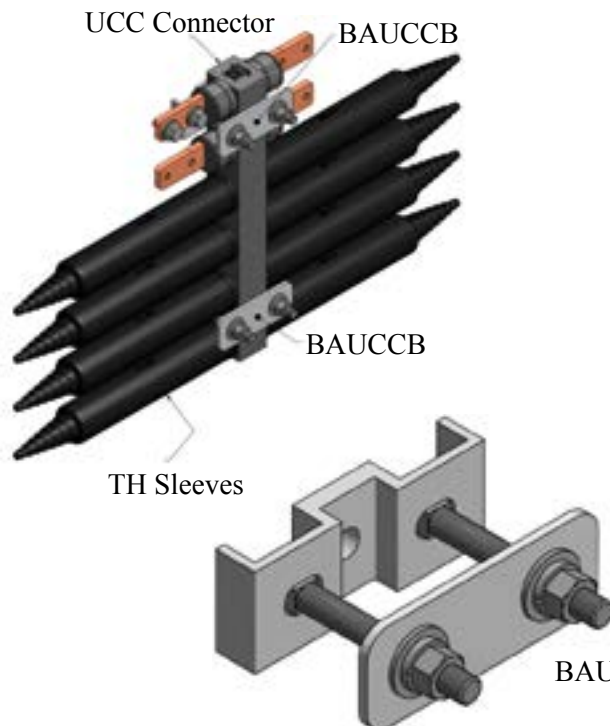
- Connects copper conductors through 1000 kcmil with two-hole NEMA compression lugs.
- Meets the performance requirements of ANSIC119.1, ANSIC119.4 and Western Underground Committee Guide 2.5.
- Stainless steel mounting hardware included.
- Boots are watertight EPDM rubber.
- Repairs 350 kcmil down to #10 wire sizes.
- For installation CMC® recommends the use of a 9" insulated Allen wrench.
- A torque wrench should be used to ensure the proper torque is achieved.

Catalog Number	No. of Outlets	Length	Width
UCC-D01	2	3.00	11.00
UCC-D04	4	6.00	11.00
UCC-D06	6	9.00	11.00
UCC-D08	8	12.00	11.00
UCC-D10	10	15.00	11.00
UCC-D12	12	18.00	11.00



Uses the TH Rubber Rocket

Material:
 Body - Tin Plated Copper
 Hardware - Stainless Steel, Captive Belleville and Flat Washers
 Insulation - EPDM Rubber



- **TH Sleeves** (sold separately) allow for a waterproof seal up to 1000 kcmil.
- Ceneterform compression lugs available in common 500, 750 and 1000mcm.
- **BAUCCB Mounting Bracket** - 2 required, per assembly.
- Unique time-saving, adjustable mounting bracket (sold separately) allows for quick installation and support of the connector.
- Eliminates twisted and bent connections that allow for gapping and improper sealing around the conductor.
- Supports heavy copper connectors and conductor.