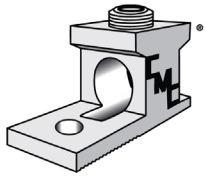


PRODUCT BULLETIN



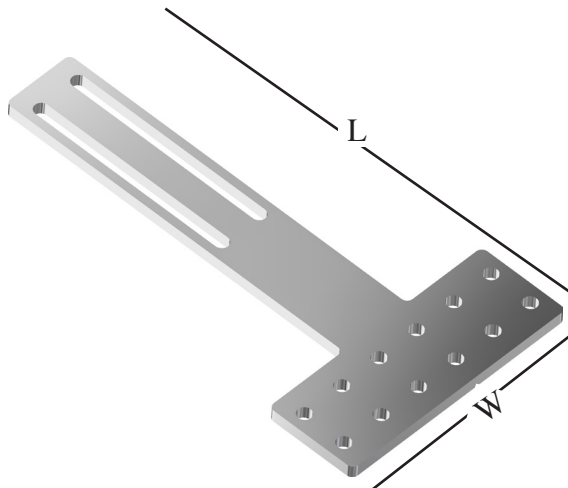
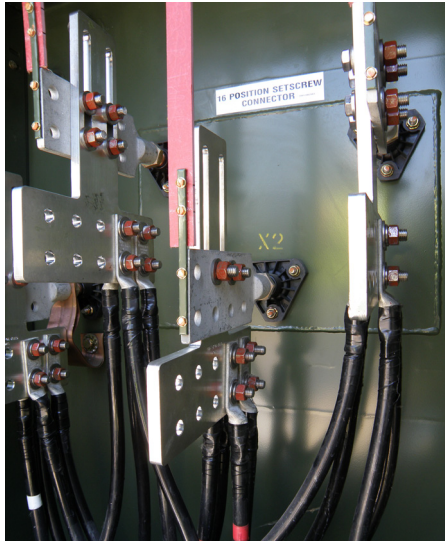
**CONNECTOR
MANUFACTURING
COMPANY**

Aluminum Pad Extensions

TYPE FPX-2S

Adapters provide the means to connect virtually any required number of conductors to a transformer using NEMA two-hole terminal lugs.

- Slotted rails allow for adjustable height for easy transformer reconnection/replacement.
- Meets the performance requirements of ANSI C119.4.
- Stacking type terminal lugs can also be used where more conductor connections are required than available mounting positions.
- Tin plated.



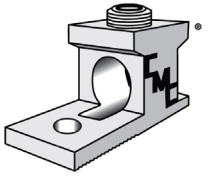
Catalog Number	W	L	Pad Thickness	Hole Diameter	Number of Holes
FPX-6-2S-50T	6"	12.75	.50	.56	6
FPX-8-2S-50T	8"	12.75	.50	.56	8
FPX-10-2S-50T	10"	12.75	.50	.56	10
FPX-12-2S-50T	10"	18.75	.50	.56	12

Connector Manufacturing Company
3501 Symmes Road
Hamilton, Ohio 45015-1369
Phone: 513-860-4455
Fax: 800-846-0787
www.cmclugs.com

Material:
Extruded - 6061-T6 Aluminum



PRODUCT BULLETIN



**CONNECTOR
MANUFACTURING
COMPANY**

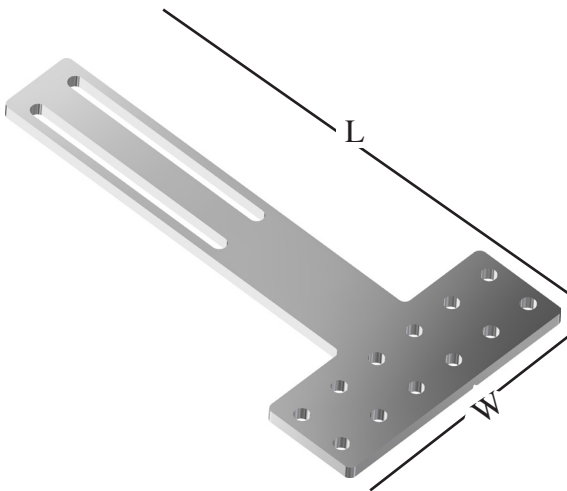
Copper Pad Extensions



TYPE CFPX-2S

Connects virtually to any required number of conductors to a transformer using NEMA two-hole terminal lugs. Stacking type terminal lugs can also be used where more conductor connections are required than available mounting positions.

- Slotted rails allow for adjustable height for easy transformer reconnection/replacement.
- Meets the performance requirements of ANSI C119.4.
- Stacking type terminal lugs can also be used where more conductor connections are required than available mounting positions.
- Tin plated.



Catalog Number	W	L	Pad Thickness	Hole Diameter	Number of Holes
CFPX-6-2S-50T	6"	12.75	.50	.56	6
CFPX-8-2S-50T	8"	12.75	.50	.56	8
CFPX-10-2S-50T	10"	12.75	.50	.56	10
CFPX-12-2S-50T	10"	18.75	.50	.56	12

Connector Manufacturing Company

3501 Symmes Road
Hamilton, Ohio 45015-1369

Phone: 513-860-4455

Fax: 800-846-0787

www.cmclugs.com



Material:
Extruded - C110 Copper