

## Features

- Fully Compatible with GAI-TRONICS Page/Party® and ADVANCE/SmartSeries™ Systems
- Full Duplex Communication
- Efficient 30 Watt Class D Amplifier
- AC (120/230V) and DC (24V) Versions
- Lower 316 Stainless Steel Terminal Box with Removable Gland Plate

## Options

- One or Five Party Lines
- Handset/Amplifier or Amplifier Only Stations
- Auxiliary Jack for Headset Operation
- PVC or Hytrel® Handset Cords
- Remote Volume Level Control (VLC)
- SmartSeries™ Technology
- Ambient Level Sensing (ALS)
- Remote Monitoring
- Remote Terminal Unit (RTU) Operation for Input/Output Applications

ICS is GAI-TRONICS' latest generation of Page/Party® and SmartSeries products and provides two important plant communication functions in one durable, easy-to-operate package, offering paging and line intercom capability. Through the page function, individuals can be contacted anywhere in your facility. For further communication, the party line function allows two or more people to converse without being heard over the paging speakers.

ICS is a distributed amplifier system with each station containing a 30W speaker amplifier. Stations/amplifiers are parallel wired, simplifying system design and expansion. Distributed amplifier systems offer major advantages over conventional power amplifier systems. For example, if an amplifier fails in a distributed system, only the associated speaker is inoperable. All other system speakers will continue to broadcast pages.

ICS operation is simple. The user lifts the station handset, presses the page button, and announces. The responding individual lifts the handset of their nearest station for full



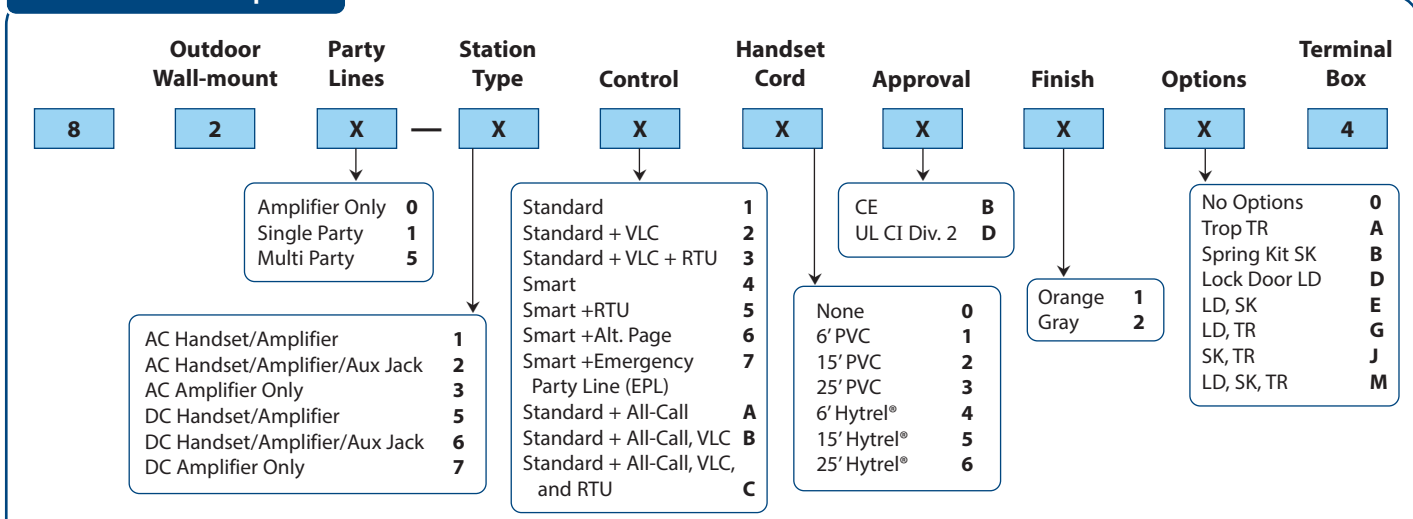
duplex communication over the party line. Speaker amplifier versions are available for powering speakers where handset intercom stations are not required.

ICS Offshore stations add a stainless steel terminal box to the standard ICS design, simplifying installation in the demanding offshore environment. An internal wiring harness means that all connections can be made without opening the upper unit. A removable gland plate on the terminal box makes cable gland drilling more convenient.

ICS stations are fully compatible with existing GAI-TRONICS® Page/Party® and ADVANCE/SmartSeries™ stations and systems, with additional features:

- 30 watt speaker amplifier
- Field-upgradeable from standard configuration to:
  - Volume Level Control (VLC)
  - SmartSeries™
  - Remote Terminal Unit
- More efficient design requires less power
- Compliance with current and upcoming UL and worldwide approvals.

### ICS Offshore Stations part #'s



#### Example:

An outdoor wall-mount, multi-party, AC-powered handset/speaker amplifier standard ICS Offshore Station with a 6' PVC handset cord, UL Class I, Division 1 approvals, orange finish and no options selected, is part number **825-111D104**

## Specifications

### Electrical

#### AC Stations

Supply Voltage ..... 120/230 V ac  
 Max Power Consumption ..... 400mA/48.0VA @ 120 V ac  
 ..... 220mA/50.6VA @ 230 V ac

Input frequency range ..... 50/60 Hz

#### DC Stations

Supply Voltage ..... 24 V dc  
 Max Power Consumption ..... 1.95A/46.8W

### Handset

Microphone..... Dynamic, noise-cancelling  
 Receiver ..... Dynamic, hearing aid compatible  
 Material ..... ABS  
 External Control..... Push-to-page handset pressbar

### Handset Amplifier

Output Level (compression controlled) ..... 1.5V<sub>RMS</sub>  
 nominal into 33Ω load.  
 Frequency Response ..... 250–6,500 Hz,  
 +0/-3dB ref. to 1KHz  
 Distortion ..... <1.5% THD @ 1KHz  
 (below compression level)  
 Receiver Level ..... 200mV<sub>RMS</sub> nominal

### Speaker Amplifier

Max Output ..... 30W into 8Ω load with 1.5VRMS input  
 Frequency Response ..... 250–6,500 Hz, +0/-3 dB ref. to 1 kHz  
 Distortion ..... <1% THD @ 1KHz to 34W  
 ..... <3% THD @ 1KHz to 30W  
 Input Impedance ..... 50KΩ;  
 16KΩ with SmartSeries™ option

### Mechanical

Construction/Finish  
 Upper enclosure ..... Engineered Glass-Reinforced Plastic  
 Lower enclosure..... 316 Stainless Steel  
 Connections ..... Screw-type barrier terminal blocks  
 Dimensions (overall)..... 29.3H x 12.1 W x 10.5 D inches  
 (744.2 x 307.3 x 266.7 mm)  
 Temperature range ..... -22° F to +158° F (-30° C to +70° C)  
 Relative Humidity..... 95%, non-condensing  
 Environmental Rating ..... Type 3R (IP65);  
 Type 4X (IP66) with door closed  
 Shipping Weight..... 30.0lbs (13.6kg)

### Approvals

CE Mark ..... Complies with Low Voltage Directive  
 73/23/EEC, and the EMS Directive 89/336/EEC  
 amended by the Directive 93/68/EEC  
 NRTL Listed for USA and Canada..... Class I Div. 2,  
 Groups A, B, C, D;  
 Class II, Div. 2, Groups F & G;  
 Class III, Div. 2;  
 Temperature Code, T4A - USA;  
 T3C - Canada