



Centra Page/Party[®]



Market



Application



Product

Dependable paging and party line communications for rugged and hazardous offshore platforms and rigs.

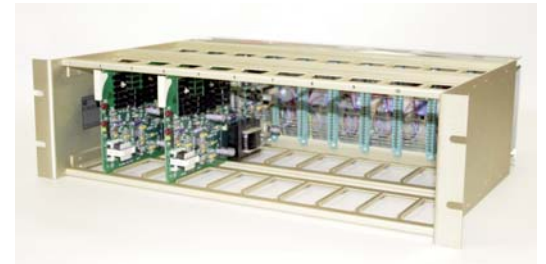


GAI-TRONICS' Centra Page/Party® system provides dependable paging and party line communications for rugged and hazardous industrial facilities. Centra Page features centrally-located electronics which provide environmental protection, and unitized amplification for easy maintenance. Standard Centra Page cabinets can support up to 30 handset stations and in most cases up to 60 paging speakers. Alarms and telephone interfacing can also be added to Centra Page.

Basic Operation:

Basic system operation is simple: an individual lifts a station handset, locates an available party line, depresses the handset pressbar and announces a page, and releases the pressbar. The paged individual goes to an available station, turns the party line selector switch to the proper party line, lifts the handset and answers the page. Telephone type, duplex communication can then be held on the party line without broadcasting over speakers.

The primary component of a Centra Page system is the card rack. This unit houses the individual line cards (Part # 69037-101), which corresponds to specific handset stations and speakers in the system. The card rack contains termination points for power and the alarm / tone generator and telephone interface connections. Each card rack accommodates up to ten line cards.



All stations are homerun wired to the central cabinet, where station status is monitored. To maximize flexibility, stations are available in Desktop, Desk-Edge, Weatherproof, Indoor, Flush-mount, and Jack Stations when used with headset configurations.



The 10961-101 AMI Centra Page Interface contains a priority alarm test and telephone interface panel, allowing the customer access to the public telephone network. The AMI I/O Controller Board is mounted onto the panel with a terminal block. The interface connects the alarm, page and party audio between the Audio Messenger and Centra-Page System.



The 10959-208 Audio Messenger Interface provides the capability to generate emergency tone alarms, prerecorded voice message and automated normal operations announcements over the Centra Page System. A Smart Media® memory card stores the configuration programming, the voice and tone recordings. Five standard alarms are factory installed.



Specifications

Central Cabinet

Construction: Wall mounted, 16-gauge cold rolled steel with polyurethane enamel finish

Dimensions 20.625" W X 18.5" D x 31" H
(523.9mm x 469.9 mm x 787.4 mm)

Connections: All connections are made to terminal blocks located on wall-mounted rear section

Contents: Up to three card racks with up to ten line cards, AMI Centra Page Interface, Rackmount Audio Messenger Interface

Weight: 165 lbs. (74.8 kg) approx.

Power Requirements: 22-28 VDC negative ground
35A maximum; 3A idle

Line Cards

- Handset Amplifier
- Speaker Amplifier portion delivers to 16 W to 8 ohm or 70.7 v line
- Short circuit current limited
- Five indicator lights:
 -• Power to handset
 - Off-hook
 - Page Activated
 - Power to Speaker
 - Signal Intensity

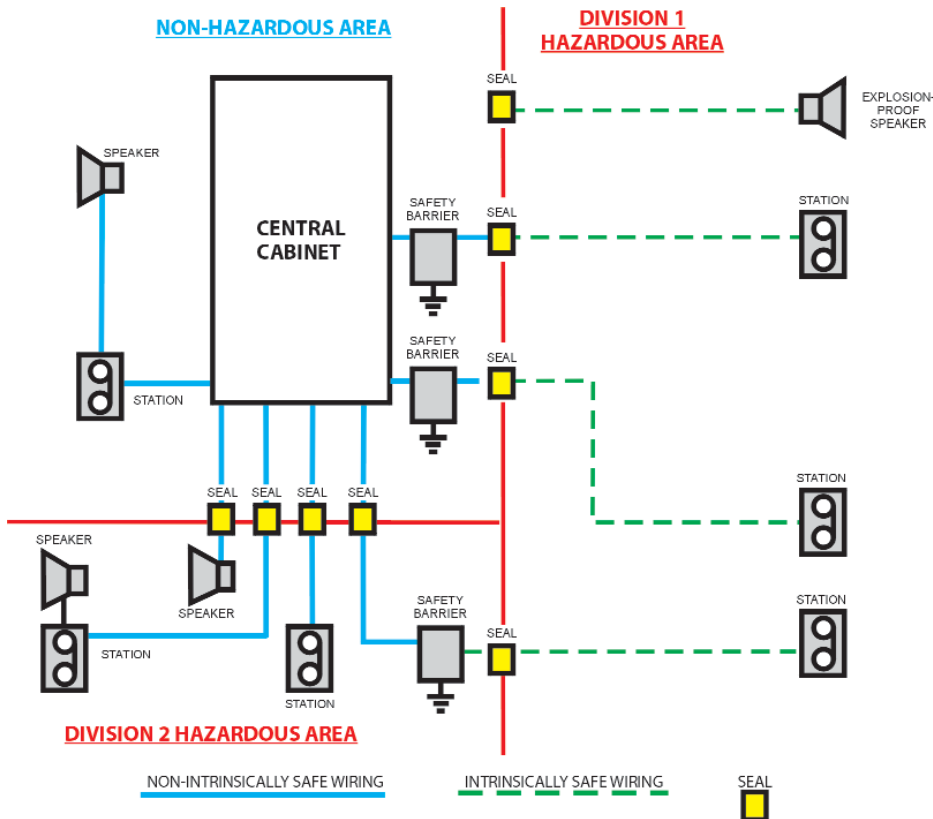
Audio Messenger Interface: Five tones, internally selected priority, Alarm muting available when voice page initiated, Alarm test switches

Tones: The following tones are factory-set: Yelp, Warble, Siren, Pulse, and Steady. Additional tones are customer configurable using AMI's ACT Software.

Telephone Interface: Standard modular plug/jack to ordinary telephone line (48 VDC, 20 Hz bridged ringing), "In Use" indicator on front panel , Signal on page line indicates incoming calls 1300 and 1600 Hz tones toggled at 20 Hz

Inputs / Outputs: Can support the addition of 29 inputs and 29 outputs.

Typical Diagram



The Central Cabinet must be located in a non-hazardous area. Stations and speaker may be then located in both hazardous and non-hazardous locations, depending on the method used to install wiring.

Reference Manual:
42004-356A

Part Number Description

Cabinet Components

- 10468-002 Central Cabinet
- 10461-002 19" P.C. Card Rack
- 69037-101 Station Line Card
- 69460-001 Crews' Quarters Muting Card
- 10961-101 AMI Central-Page Interface
- 10959-208 Rack-Mount Audio Messenger Interface
- 14736-242 Blank Panel 19" x 10.5"

Safety Barrier / Stations / Headsets

- 10439-102 Safety Barrier
- 472-002 Indoor Handset Station
- 473-002 Outdoor Weatherproof Handset Station
- 475-002 Indoor Handset / Headset Jack Station
- 475-004 Weatherproof Handset / Headset Jack Station
- 476-002 Flush Mount Handset Station
- 478-002 Desk Top Handset Station with Speaker
- 10453-501 Headset Microphone Assembly
- 10410-002 30' Headset Assembly Ext. Cable
- 10450-302 Handset Assembly

System / Speaker Cable

- 60051-001 6 Conductor System Cable - PVC Jacket
- 60051-003 6 Conductor System Cable - Bronze Braid / PVC Jacket
- 60028-101 3 Conductor Speaker Cable - PVC Jacket
- 60028-003 3 Conductor System Cable - Bronze Braid / PVC Jacket

Horns / Drivers

- 13309-001 Horn Non-Metallic Weatherproof
- 13309-001SB Horn Non-Metallic Weatherproof with Stainless Steel Bracket
- 13340 Horn Non-Metallic Weatherproof
- 12526-001 Stainless Steel Mounting Bracket
- 13314-003 Speaker Driver Division II, 70V Weatherproof
- 13310-203 Speaker Driver Division I, 70V
- 13351 Wall Speaker 70V Non-Classified, Weatherproof
- B406T-70W Indoor Wall Speaker without Volume Control (with Transformer)
- B650T-70 Indoor Ceiling Speaker without Volume Control (with Transformer)
- 12506-001 Volume Control Kit



Pub. 800603 Rev. 9-2015



USA Toll Free: 1 (800) 492-1212 Tel: (610) 777-1374 Fax: (610) 796-5954 www.gai-tronics.com
 UK Tel: +44 (0)1283 500500 Fax: +44 (0)1283 500400 www.gai-tronics.co.uk
 Italy Tel: +39 02 48601460 Fax: +39 02 93663110 www.gai-tronics.com
 Asia Tel: +(65) 6282 2242 (Press 4 for GAI-TRONICS) www.gai-tronics.com
 Australia Tel: 011-61-28-851-5000 Fax: 011-61-29-899-2490 www.austdac.com.au



Quality Management System Certified by DNV-GL - ISO 9001:2015. The policy of GAI-TRONICS is one of continuous improvement; therefore the company reserves the right to change specifications without notice.

