

Titan for Rail

Metal Bodied Weather Resistant Telephone



- No. 1 Keylock Option
- Robust and weather resistant to IP66
- Aluminium Metal Casing
- Easy Installation/Replacement
- CB version
- Network Rail acceptance for use in SPT and level crossing applications
- Industry standard robust handset c/w armoured cord
- Several mounting options including compatibility with previous model telephones
- CE compliant
- Increased protection from lightning transients

NETWORK RAIL APPROVED PRODUCT

Titan brings state of the art design and technology to metal bodied weather and vandal resistant telephones.

The Titan range is designed to meet the acoustic performance, reliability and varying applications demanded by today's markets. They provide solutions to meet the requirements of most customers for 'hot line', CB and crossing telephones.

Other features include selectable time out function, inductive coupler and handset integrity loop.

Titan's aluminium body is robust and designed to look

good and last longer in hostile outdoor environments where high levels of service delivery are demanded.

Its spring loaded door has a high integrity hinge with options available for various locking mechanisms and a latch open facility. With the door open, Titan has an IP rating of IP65 and with it closed, achieves a rating of IP66.

Titan is simple to install and fixings are concealed from view. A pole mounting bracket kit is included.

These models are designed to be fully compatible with most PABXs and public switched telephone networks.

Titan for Rail - Technical Specifications

Technical Specifications

Speech / Network Interface: Tested to TBR21 / TBR38

Ringing:

Dual tone ringing, 80 dBa @ 1 metre typical. REN 1

Hookswitch: Electronic with no mechanical moving parts

Time Out: Selectable timer to release line even if the handset is left off hook. Handset alert feature can disable the timer in the event of vandalism.

Timer can be set to 7 minutes or 3 minutes

Power Supply:

Drawn from telephone line. Loop start down to 15mA

EMC:

Tested to:

EN55022:1998 (Emissions)

EN55024:1998 (Immunity)

EN50121-4:2000 (Railway applications, emissions and immunity)

RT/E/S/3003 (1999) The performance of Telecommunications Equipment under Conditions of Electrical Interference

Safety: Tested to EN60950-1:2001

Transients / Lightning:

Tested to ITU-T recommendation K.21 (10/2000) – (enhanced levels)

Temperature:

Operating: -20° C to +60° C

Storing: -40° C to +70° C

Relative Humidity: Up to 95% (non-condensing).

Weather Resistance:

Door open - IP65.

Door closed - IP66

Casing Material: Die cast aluminium, epoxy powder coated.

Colours: yellow, grey; other colours to special order

Handset Material: Cycoloy with stainless steel spiral cord

Locking: No. 1 Keylock option

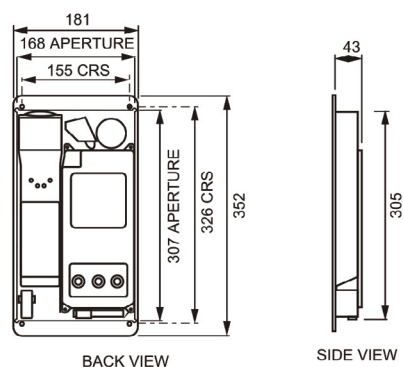
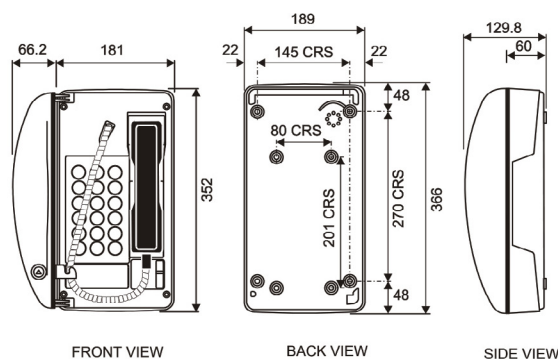
Dimensions:

H366mm x W189mm x D130mm

H270 x W145 mm fixing dimensions

Weight: Approximately 5kg

Dimensions



Approvals

Compliant to NR/L2/TEL/30143



This mark indicates compliance with the following directives: Radio & Telecommunications Terminal Equipment Directive 1999/5/EC (R&TTE)



This mark indicates compliance for inductively coupling to Hearing Aids having a 'T' switch position. Tested to ETS 300-381 and in accordance with ITU-T P37.



Certificate of Acceptance Number PA05/02569

For specific country approval, please call

Optional Accessories

Please ask for Brochure **B150** or visit www.gai-tronics.co.uk

T: 01283 500500, F: 01283 500400, E: sales@gai-tronics.co.uk

Order Information

Description	Part number	PADS number	Typical application
Titan for Rail ,CB, grey	028-02-2790-651	087/037914	SPT
Titan for Rail, CB, yellow	028-02-2790-652	087/037926	Level crossings (not PETS)
Titan for Rail CB grey with No. 1 Keylock	028-02-2790-681	pending	Where additional security is required

For non-standard products and configurations not listed, including pushbutton versions, please call.

www.gai-tronics.co.uk



UK: Tel: +44 (0) 1283 500500
 USA: Tel: +1 (610) 777-1374
 Italy: Tel: +39 02 4860 1460
 Malaysia: Tel: +60-3-8945-4035
 Australia: Tel: +61-28-851-5000

www.gai-tronics.co.uk
www.gai-tronics.com
www.gai-tronics.it
www.gai-tronics.com
www.austdac.com.au

