

# CONNECTORS

STRATELINE™



STRATELINE™ DELAYED ACTION

## STRATELINE™

**Circuit Breaking, Delayed Action Type**

**Explosionproof, Class I, Groups C and D**

20 or 30 Amperes  
2 Pole, 3 Wire or 3 Pole, 4 Wire



EPD Plugs and ER Receptacles, in addition to their regular function of making electrical connections to portable equipment, are current-interrupting devices which provide a safe and positive means for opening and closing electrical circuits.

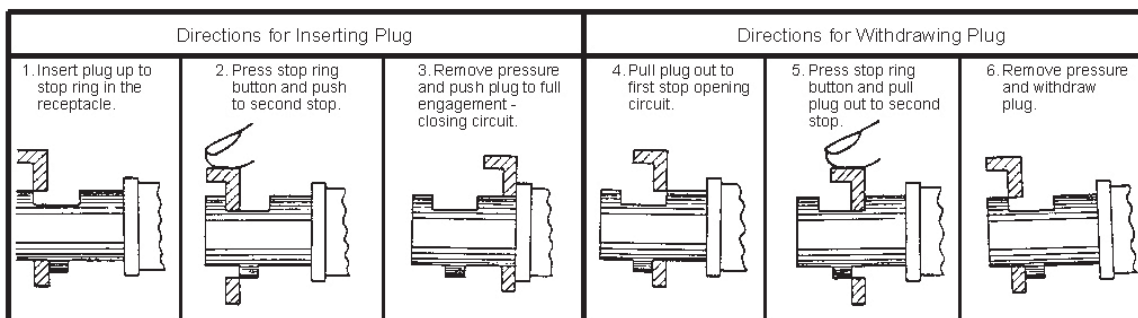
The contacts are confined within closed chambers to snuff the arc and are detained a sufficient length of time in their travel to permit cooling before exposure to the atmosphere. This is accomplished by the delayed action feature, which operates on the extremely simple straight-line principle illustrated schematically below.

Contact units are factory-sealed in the receptacle housing at the terminal end therefore seal fittings are not required adjacent to the receptacle. Flexible lead wires are provided for connection to the circuit wires.

Plugs and receptacles with a longer extra pole connect directly to the shell, completing the grounding circuit through the conduit system. The ground pole of the plug has a solder-less lug for connecting the extra conductor of the portable cord which is required by Article 500 of the N.E.C. for grounding non-current carrying metal parts of portable devices

Listed plugs fit only receptacles of the same rating.

### Circuit Breaking, Delayed Action Operating Principle





PART NUMBERS ERR & EPD

## STRATELINE™

**Factory Sealed  
EPD PLUGS AND ERR RECEPTACLES  
CIRCUIT BREAKING WITH DELAYED ACTION**

Explosionproof Class I, Groups C and D

ERR Receptacles



ERR Two-Gang Receptacles



EPD Plugs - Aluminum Alloy



Plugs fit only receptacles of the same electrical rating as listed in the spaces directly to the left of each plug group.

	FOR CIRCUITS	HUB POSITIONS	HUB SIZE	RECEPTACLE CATALOG NUMBER		DIAMETER CORD	PLUG CATALOG NUMBER
20 AMPERE	20 AMPERES OR 1 HP, 120 OR 240 VOLTS - 60 HZ						
				Single	Duplex		
	2 Pole 3 Wire	Dead End ‡	½ ¾ 1	ERRA-11532 ERRA-21532 ERRA-31532	ERRA-115322 ERRA-215322 ERRA-315322	.250 to .625	EPD-51532
	2 Pole 3 Wire	Through Feed	½ ¾ 1		ERRC-115322 ERRC-215322 ERRC-315322		
	20 AMPERES OR 1 ½ HP, 120 OR 240 VOLTS - 60 HZ						
	3 Pole 4 Wire	Dead End ‡	½ ¾ 1	ERRA-11542 ERRA-21542 ERRA-31542	ERRA-115422 ERRA-215422 ERRA-315422	.250 to .625	EPD-51542
3 Pole 4 Wire	Through Feed	½ ¾ 1		ERRC-115422 ERRC-215422 ERRC-315422			
30 AMPERE	30 AMPERES OR 1 ½ HP, 120 OR 240 VAC; 7 AMPERES OR ½ HP, 480 VAC - 60 HZ						
	2 Pole 3 Wire	Dead End ‡	¾ 1	ERRA-23032 ERRA-33032	ERRA-230322 ERRA-330322	.375 to .625 .626 to .875	EPD-53032 EPD-73032
		Through Feed	¾ 1		ERRC-230322 ERRC-330322		
	30 AMPERES OR 3 HP, 120 OR 240 VAC; 7 AMPERES OR ½ HP, 480 VAC - 60 HZ						
	3 Pole 4 Wire	Dead End ‡	¾ 1	ERRA-23042 ERRA-33042	ERRA-230422 ERRA-330422	.375 to .625 .626 to .875	EPD-53042 EPD-73042
		Through Feed	¾ 1		ERRC-230422 ERRC-330422		

‡ Can be installed with hub at top or bottom, as covers are reversible.  
 Dimensions: Height including hubs: 6 1/4" except 1" hub sizes which are 6 1/2".  
 Width: 3 1/2" for single gang - 7 3/8" for two gang.  
 Mounting Holes: 11/32" diameter on 5 1/2" x 2 1/2" centers.  
 Depth from mounting surface to end of receptacle cover: 7 1/8" for 20 amperes - 8 3/4" for 30 ampere.

See Page CN81 for Part Number Code Logic.

# CONNECTORS

STRATELINE™



PART NUMBERS ERH & EPD

## STRATELINE™

**Factory Sealed  
EPD PLUGS AND ERH RECEPTACLES  
CIRCUIT BREAKING WITH DELAYED ACTION**

**Explosionproof Class I, Groups C and D**

ERH Receptacles



ERH Two-Gang Receptacles



EPD Plugs - Aluminum Alloy



Plugs fit only receptacles of the same electrical rating as listed in the spaces directly to the left of each plug group.

	FOR CIRCUITS	HUB POSITIONS	HUB SIZE	RECEPTACLE CATALOG NUMBER		DIAMETER CORD	PLUG CATALOG NUMBER
20 AMPERE	<b>20 AMPERES OR 1 HP, 120 OR 240 VAC - 60 HZ</b>						
				Single	Duplex		
	2 Pole 3 Wire	Dead End ‡	½ ¾ 1	ERHA-11532 ERHA-21532 ERHA-31532	ERHA-115322 ERHA-215322 ERHA-315322	.250 to .625	EPD-51532
	2 Pole 3 Wire	Through Feed	½ ¾ 1		ERHC-115322 ERHC-215322 ERHC-315322		
	<b>20 AMPERES OR 1 ½ HP, 120 OR 240 VAC - 60 HZ</b>						
	3 Pole 4 Wire	Dead End ‡	½ ¾ 1	ERHA-11542 ERHA-21542 ERHA-31542	ERHA-115422 ERHA-215422 ERHA-315422	.250 to .625	EPD-51542
3 Pole 4 Wire	Through Feed	½ ¾ 1		ERHC-115422 ERHC-215422 ERHC-315422			
30 AMPERE	<b>30 AMPERES OR 1 ½ HP, 120 OR 240 VAC; 7 AMPERES OR ½ HP, 480 VAC - 60 HZ</b>						
	2 Pole 3 Wire	Dead End ‡	¾ 1	ERHA-23032 ERHA-33032	ERHA-230322 ERHA-330322	.375 to .625 .626 to .875	EPD-53032 EPD-73032
		Through Feed	¾ 1		ERHC-230322 ERHC-330322		
	<b>30 AMPERES OR 3 HP, 120 OR 240 VAC; 7 AMPERES OR ½ HP, 480 VAC - 60 HZ</b>						
	3 Pole 4 Wire	Dead End ‡	¾ 1	ERHA-23042 ERHA-33042	ERHA-230422 ERHA-330422	.375 to .625 .626 to .875	EPD-53042 EPD-73042
		Through Feed	¾ 1		ERHC-230422 ERHC-330422		

‡ Can be installed with hub at top or bottom, as covers are reversible.  
 Dimensions: Height including hubs: 6 1/4" except 1" hub sizes which are 6 1/2".  
 Width: 3 1/2" for single gang - 7 3/8" for two gang.  
 Mounting Holes: 11/32" diameter on 5 1/2" x 2 1/2" centers.  
 Depth from mounting surface to end of receptacle cover: 7 1/8" for 20 amperes - 8 3/4" for 30 amperes.

See Page CN81 for Part Number Code Logic.



STRATELINE™

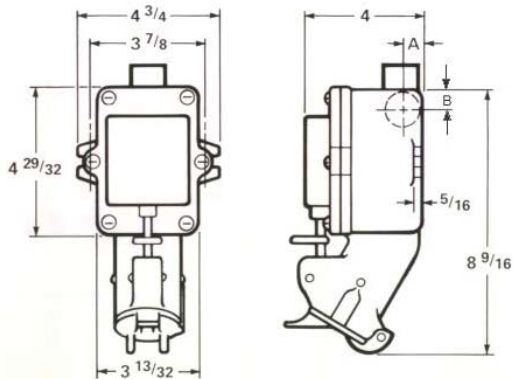
# VANTAGE

STRATELINE™ PXD & YXA

## STRATELINE™

Featuring an Interlocked Tumbler Switch

Explosionproof and Dust-tight, Class I, Group D and Class II, Group G



**APPLICATION**

Used as service outlets for portable electrical equipment in hazardous locations.

**CONSTRUCTION**

Plugs cannot be inserted or withdrawn unless switch is open. Switch cannot be closed unless plugs are fully inserted. The extra pole of the receptacle is connected to the housing to complete the equipment ground circuit.

SERIES	SIZE NPT (INCHES)	A (INCHES)	B (INCHES)	INSIDE CLEAR DIMENSIONS (INCHES)		
				LENGTH	WIDTH	DEPTH
YX	1/2	21/32	5/8	2 15/16	2 17/32	2 9/16
	3/4	25/32	17/32	2 15/16	2 17/32	2 9/16
	1	7/8	17/32	2 15/16	2 17/32	2 9/16

RUST PROOFED FERROUS ALLOY	2 Pole, 3 Wire 30 Amp 250 Vac 1 HP 460 Vac 2 HP 240 Vac	3 Pole, 4 Wire 20 Amp 460 Vac 30 Amp 250 Vac 2 HP 240 Vac or 480 Vac	HUB SIZE (NPT INCHES)
	CATALOG NUMBER	CATALOG NUMBER	
	YXA-13022-G	YXA-13032-G	1/2
	YXA-23022-G	YXA-23032-G	3/4
	YXA-33022-G	YXA-33032-G	1
	YXRL-113022-G	YXRL-113032-G	1/2
	YXRL-223022-G	YXRL-223032-G	3/4
	YXRL-333022-G	YXRL-333032-G	1
	PXD SERIES PLUGS FOR YX SERIES RECEPTACLES WITH STRAIN RELIEF CORD GRIP ALUMINUM ALLOY, NATURAL FINISH		DIAMETER CORD (INCHES)
	2 Pole, 3 Wire 30 Amp 250 Vac 1 HP 460 Vac 2 HP 240 Vac	3 Pole, 4 Wire 20 Amp 460 Vac 30 Amp 250 Vac 2 HP 240 Vac or 480 Vac	
	CATALOG NUMBER	CATALOG NUMBER	
	PXD-53032-G	PXD-53042-G	.250 to .625
	PXD-73032-G	PXD-73042-G	.625 to .875

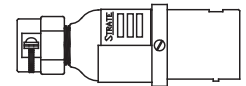
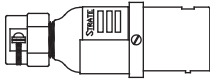
See Page CN82 for Part Number Code Logic.

# CONNECTORS

STRATELINE™



## CODE LOGIC – EPD AND ER



**1. Classification**

**2. Cable Diameter Range**

**3. Rating**

**4. Insert**

**5. Voltage**

EPD = Explosionproof ... Class I, Division 1, Groups C and D

5 = .250" to .625" (15 Amp)

5 = .375" to .687" (30 Amp)

7 = .750" to .875" (15 and 30 Amp)

15 = 20 amps / 1 HP                      2 pole, 3 wire at 120 or 240VAC

15 = 20 amps / 1½" HP                    3 pole, 4 wire at 120 or 240VAC

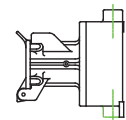
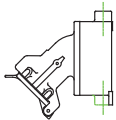
30 = 30 amps / 1½HP                    2 pole, 3 wire at 120 or 240VAC  
7 amps / 1½ HP                            480VAC 60 Hz

30 = 30 amps / 3 HP                      3 pole, 4 wire at 120 or 240VAC  
7 amps / 1½ HP                            480VAC, 60 Hz

3 = 2 pole, 3 wire

4 = 3 pole, 4 wire

2 = 240 volts                                      See rating specified above.



**1. Classification**

**2. Types**

**3. Style**

**4. Hub Size**

**5. Rating**

**6. Insert**

**7. Voltage**

**8. Gang Style**

ER = Explosionproof Receptacle ... Class I, Division 1, Groups C and D

R = Angled (45°) Receptacle    H = Straight (90°) Receptacle

A = Single Hub

C = Thru-feed Hub

P = Panel-mount

1 = ½" NPT

2 = ¾" NPT

3 = 1" NPT

15 = 20 amps                                      2 pole, 3 wire at 120 or 240VAC

15 = 20 amps                                      3 pole, 4 wire at 120 or 240VAC

30 = 30 amps                                      2 pole, 3 wire at 120 or 240VAC  
7 amps / 1½ HP                            7 amps at 480VAC 60 Hz

30 = 30 amps                                      3 pole, 4 wire at 120 or 240 Vac  
7 amps / 1½ HP                            480VAC, 60 Hz

3 = 2 pole, 3 wire                                4 = 3 pole, 4 wire

2 = 240 volts                                      See rating specified above.

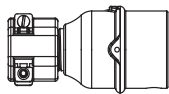
2 = 2 Gang Receptacle                      Omit for single gang

ER	R	A	-	2	30	3	2	2
1	2	3		4	5	6	7	8

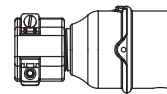
Note: Code logic is provided to identify features called out by standard part numbers. Not all component codes are compatible with all others. Reference part number tables under appropriate product sections of this catalog or consult Vantage Technology.



## CODE LOGIC – YX AND PX



PXD	-	5	30	3	2	-	G
1		2	3	4	5		6



**1. Classification**

PXD = Explosionproof Plugs Class I, Division 1, Group D and Class II, Groups F and G

**2. Cable Diameter Range**

5 = .250" to .625"

7 = .625" to .875"

**3. Rating**

30 = 30 amps at 250VAC for 2 pole 3 wire

2 HP at 240VAC

1 HP 460VAC

30 = 30 amps at 250VAC for 3 pole 4 wire

2 HP at 240VAC or 480VAC

20 amps at 460VAC

**4. Insert**

2 = 2 pole, 3 wire

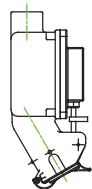
3 = 3 pole, 4 wire

**5. Voltage**

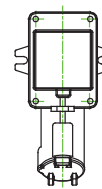
2 = 250VAC See rating specified above.

**6. Grounding**

G = Grounded through shell and extra pole.



YX	A	-	2	2	30	3	2	-	G
1	2		3	4	5	6	7		8



**1. Classification**

YX = Explosionproof Receptacles Class I, Division 1, Group D and Class II, Groups F and G

**2. Hub Style**

A = Top Hub

RL = Right and Left Thru-feed Hubs

**3. Hub Size**

1 = 1/2"

2 = 3/4"

3 = 1"

**4. Hub Size**

Omit for top hub only

1 = 1/2"

2 = 3/4"

3 = 1"

**5. Rating**

30 = 30 amps at 250VAC for 2 pole 3 wire

2 HP at 240VAC

1 HP 460VAC

30 = 30 amps at 250VAC for 3 pole 4 wire

2 HP at 240VAC or 480VAC

20 amps at 460VAC

**6. Insert**

2 = 2 pole, 3 wire

3 = 3 pole, 4 wire

**7. Voltage**

2 = 250VAC See rating specified above.

**8. Grounding**

G = Grounded through shell and extra pole.

Note: Code logic is provided to identify features called out by standard part numbers. Not all component codes are compatible with all others. Reference part number tables under appropriate product sections of this catalog or consult Vantage Technology.