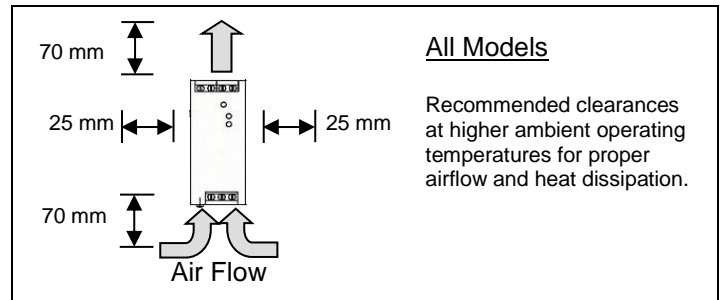


⚠ Installation Instructions **WARNING – Avoid Personal Injury or Product Damage.**

1. **Read and follow all instructions before installation** as indicated in this manual. This publication is based on information that was available at the time it was printed. We reserve the right to make changes to the products and/or publications at any time without notice and without obligation.
2. DIN Rail Connection; as per local electrical codes and recommended wire sizes.
3. DIN Rail mounted per VDE0160 Please see diagram as noted below.
4. This power supply is designed for professional indoor systems. During operation the power supply must not be accessible. Install and put into service by qualified personnel only.
5. **Do not operate without Protective Earth (PE) connection!** To comply with EMC and safety standards (CE mark, approvals) the power supply must be operated only if PE terminal is connected to the non-fused earth conductor.
6. **Do not cover any ventilation holes.** The correct mounting position for optimal cooling performance must be observed. All free space requirements and power de-rating as specified at the beginning of this manual must be observed.
7. **WARNING** The internal fire safety fuse is not accessible. This fuse is not to be replaced by the user. For continued protection against risk of fire, NO REPLACEMENT OF FUSE IS ALLOWED REGARDLESS. If this internal fuse has blown, the power supply has an serious internal defect, and for safety reasons, must be discarded, or if under warranty, returned.
8. **Please ensure that the power supply will be recycled properly at the end of its life.** Some components of this power supply may be suitable for recycling, including some that require special disposal.

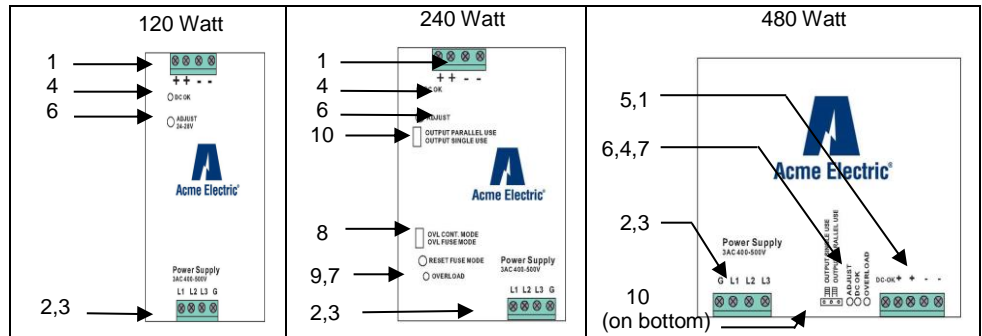
Cooling, Airflow and Free Space Clearances

1. Airflow must be upward as shown in figure.
2. Always maintain operation conditions within output power and temperature ratings.
3. All units are rated for convectional cooling and require free space on both sides and above / below unit for proper airflow and heat dissipation.
4. Do not to block vent holes because by doing so, it may overheat and damage the unit.



Names and Descriptions

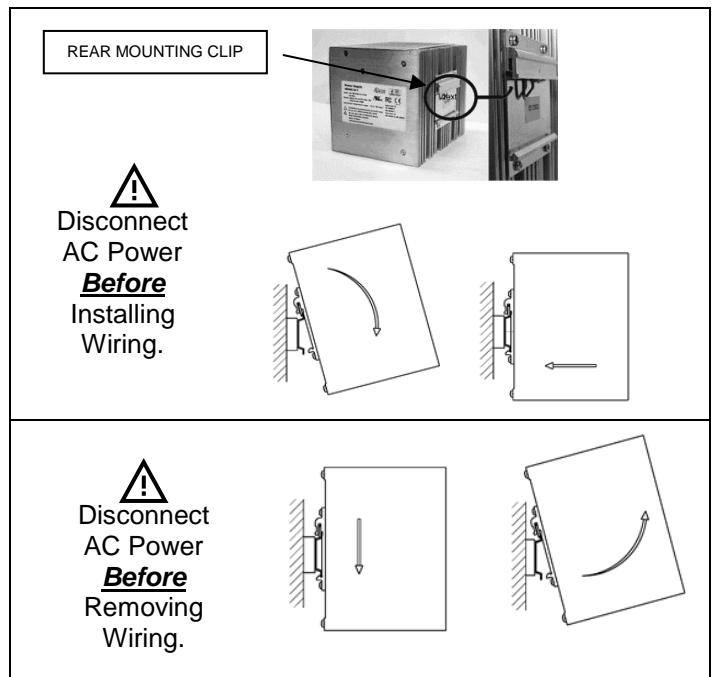
1. + - DC outputs
2. L1, L2, L3 mains (3AC Line)
3. Ⓧ Safety Earth Ground
4. DC OK Indicator
5. DC OK output, +24V 20mA max
6. Adjust DC output voltage
7. OVL Indicator
8. OVL Mode Switch/Fuse*
9. Reset Fuse Switch
10. Parallel-Single Switch



*OVL Switch Continuous Mode: auto recovery, Fuse Mode: Pushbutton recovery

Installation Procedure

1. Locate mounting bracket on back of unit.
2. A spring clip is mounted to the upper channel of the mounting bracket as shown in picture to the right.
3. Attach the Unit to the Din Rail by sliding the mounting brackets upper channel lip and attached spring clip over the top edge of Din Rail as shown in bottom right figure. (The bottom of the unit should be tilted out about 10°)
4. Apply a downward pressure assuring that the top edge of the Din Rail is firmly seated into the top channel of the mounting bracket.
5. In the final step, swing the bottom of the unit towards the bottom edge of the Din Rail latching the bottom of the Din Rail to the bottom channel of the mounting bracket.



Removal Procedure

1. After insuring that the AC power is disconnected from its source, disconnect all wiring connections from Power supply.
2. Insert pressure downward on the unit and tilt the bottom outward, disengaging the bottom channel of the unit bracket from the bottom edge of the Din Rail.
3. Lift the unit detaching it from the top edge of the Din Rail.

Copyright© 2012, Acme Electric Corp. Acme Electric Corp. reserves the right to make changes in the product at any time, without notification.