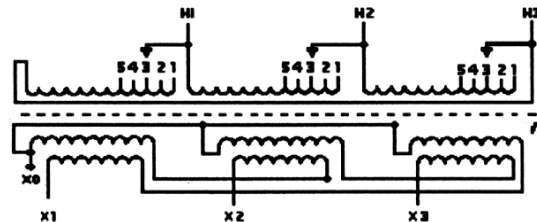
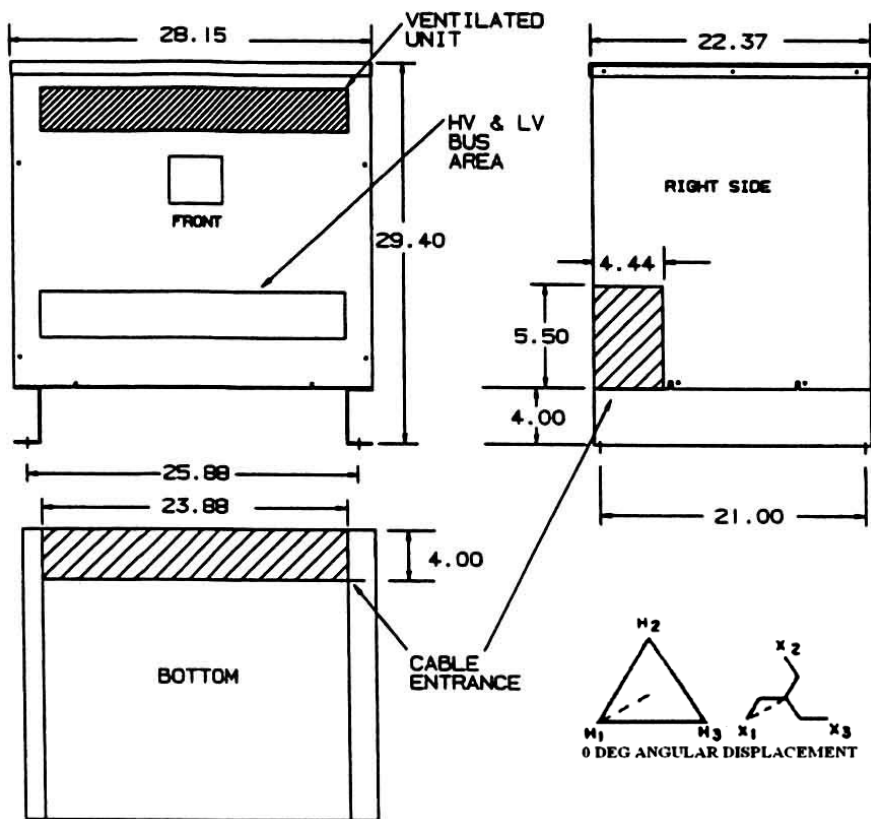


# Revisions



PRIMARY VOLTS	%	CONNECT LEADS TO TAP NO.
504	105	1
492	102.5	2
480	100	3
468	97.5	4
456	95	5

PRIMARY LINES TO H1-H2-H3,  
SECONDARY LINES TO X0-X1-X2-X3  
CAUTION: KEEP 3 TAP CONNECTIONS IN SAME POSITION WHEN TRANSFORMER IS IN OPERATION

NOTE: PRIMARY AND SECONDARY BUS AREA IN FRONT OF CASE.

KEY: DENOTES CONDUIT AREAS



Type No. CMTI533124S

Weather Shield – WS-A-2

KVA	CATALOG NUMBER	VOLTAGE		Windings	WEIGHT	PHASE	FREQ.
		HIGH	LOW				
30	<b>CMTI533124S</b>	480Δ	208Y/120	CU	535 Lbs	3φ	60 Hz

### TYPICAL PERFORMANCE DATA

Winding Rise	150°C
Insulation	220°C
Sound Level	50 dB

Regulation @ 100% PF	1.88%
Reference Temp:	75°C

Impedance	2.42%
Efficiency based @ 35% of Nameplate KVA.	

Typical Efficiency@35%	97.21%
No Load Losses:	249 W
Full Load Losses:	677 W