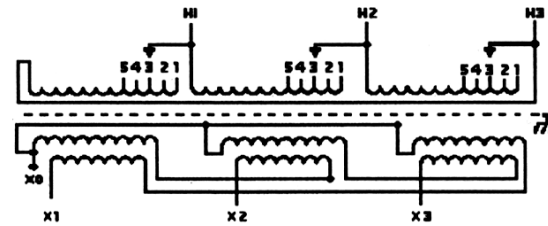
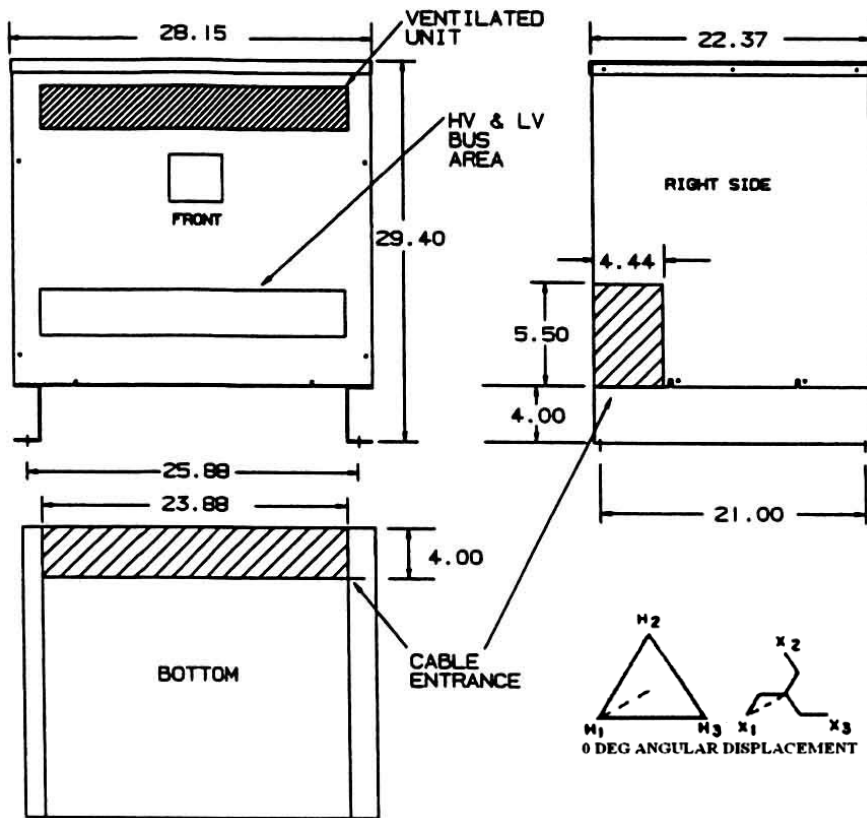


Revisions



PRIMARY VOLTS	%	CONNECT LEADS TO TAP NO.
504	105	1
492	102.5	2
480	100	3
468	97.5	4
456	95	5

PRIMARY LINES TO H1-H2-H3,
SECONDARY LINES TO X0-X1-X2-X3
CAUTION: KEEP 3 TAP CONNECTIONS IN SAME POSITION WHEN TRANSFORMER IS IN OPERATION

NOTE: PRIMARY AND SECONDARY BUS AREA IN FRONT OF CASE.

KEY: DENOTES CONDUIT AREAS



Type No. CMTI533134S

Weather Shield – WS-A-2

KVA	CATALOG NUMBER	VOLTAGE		Windings	WEIGHT	PHASE	FREQ.
		HIGH	LOW				
45	CMTI533134S	480Δ	208Y/120	CU	600 Lbs	3φ	60 Hz

TYPICAL PERFORMANCE DATA

Winding Rise	130°C
Insulation	220°C
Sound Level	50 dB

Regulation @ 100% PF	2.14%
Reference Temp:	75°C

Impedance	2.66%
Efficiency based @ 35% of Nameplate KVA.	

Typical Efficiency	97.75%
No Load Losses	272 W
Full Load Losses	1,015 W