



SERIES K HOSE REELS

DUAL HOSE HYDRAULIC REEL

Gleason K-Reels are ideal for hydraulic hose control on boom cranes, hoists, tree cutters, lifts or any moving hydraulic equipment. They can also be used for other liquids or air. Whether machines push-pull, extend-retract, turn, tip, clamp hold or dump, Gleason series K all-steel spring driven dual hose reels speed operation and improve handling and safety. K-Reels handle up to 80 ft. of 1/4" I.D. dual hose with 3000 psi full-flow pressure throughout the reel. Maximum 3/4" I.D. hose.



GLEASON K-REEL installed on a hoist.

Standard Features

- 3000 PSI standard swivel joint rating.
- Dual port swivel joint removes easily when replacing seal.
- Hose connections readily accessible.
- Welded, all steel frame for maximum strength.
- Safetychange® Spring Motor makes replacement safe and easy.
- Optional Ratchet Lock.
- Pre-lubricated, sealed ball bearings.



STANDARD HOSE SIZES		
I.D.	MAX O.D.	*WEIGHT/ FT
0.250 inch	0.580 inch	0.330 lbs
0.375 inch	0.840 inch	0.450 lbs
0.500 inch	0.970 inch	0.560 lbs
0.750 inch	1.250 inch	0.800 lbs

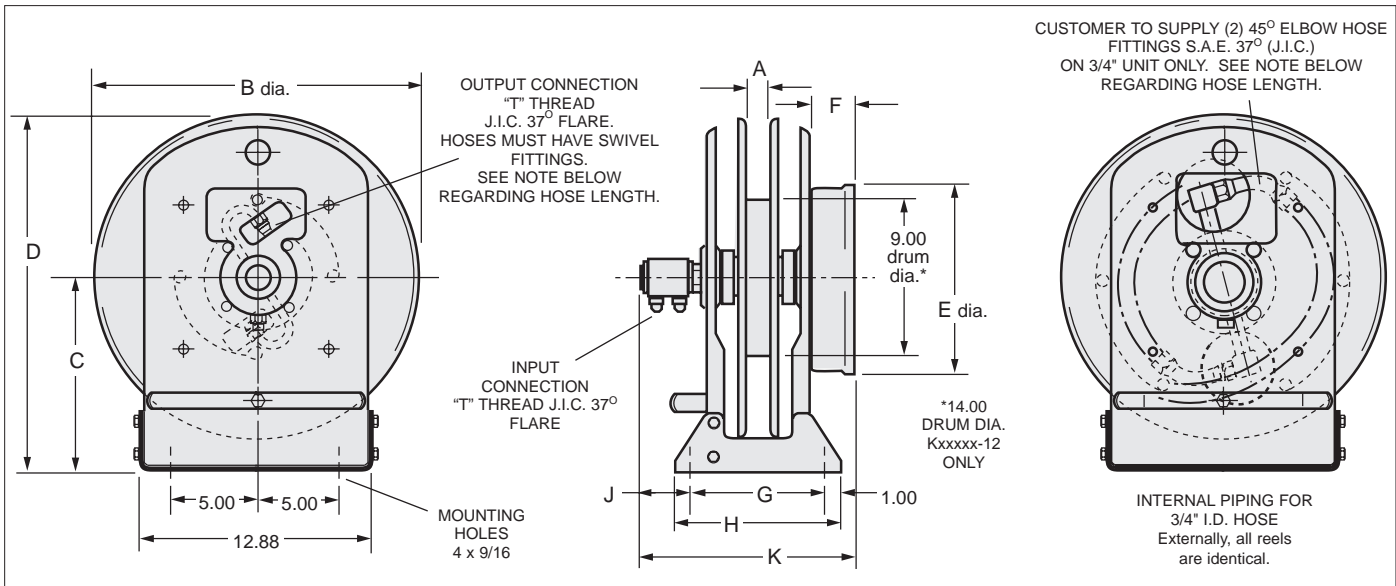
*Weights shown above are for single hose without fluid.

Charts below are based on SAE100R2 two wire braided hose. Consult factory if vinyl hose is to be used.

LIFT APPLICATION					STRETCH APPLICATION				
Capacities based on speed of 150 ft/min. and acceleration of 0.50 ft/sec ² .					Capacities based on 6% sag				
FEET of HOSE	REELS FOR USE WITH STANDARD HOSE SIZES				FEET of HOSE	REELS FOR USE WITH STANDARD HOSE SIZES			
	1/4" I.D.	3/8" I.D.	1/2" I.D.	3/4" I.D.		1/4" I.D.	3/8" I.D.	1/2" I.D.	3/4" I.D.
10	K18351-4-10	K21351-6-10	K18751-8-1	K241001-12-1	10	K18751-4-1	K18751-6-1	K18751-8-3	K241001-12-5
15	K18351-4-10	K21751-6-1	K21751-8-1	K241001-12-2	15	K18751-4-1	K21751-6-2	K21751-8-4	K241001-12-5
20	K21751-4-1	K21751-6-1	K21751-8-1	K281001-12-6	20	K21751-4-1	K21751-6-2	K21751-8-4	K28753-12-3
25	K21751-4-1	K24751-6-1	K24751-8-2	K32753-12-4	25	K21751-4-1	K24751-6-5	K241001-8-1	K32753-12-8
30	K24751-4-1	K24751-6-1	K28751-8-5	K32753-12-4	30	K24751-4-1	K24751-6-5	K281001-8-5	K32754-12-4
35	K24751-4-1	K28751-6-3	K281001-8-1	K32753-12-4	35	K24751-4-1	K281001-6-1	K281001-8-3	K32754-12-4
40	K28751-4-1	K28751-6-3	K321001-8-1		40	K281001-4-1	K281001-6-1	K32752-8-1	
45	K28751-4-1	K281001-6-1	K321001-8-1		45	K281001-4-1	K281001-6-1	K32752-8-3	
50	K28751-4-1	K281001-6-1	K321001-8-1		50	K281001-4-1	K281001-6-1	K32753-8-1	
55	K28751-4-1	K321001-6-1			55	K281001-4-1	K32752-6-1		
60	K321001-4-1	K321001-6-1			60	K321001-4-1	K32753-6-1		
65	K321001-4-1	K321001-6-1			65	K321001-4-1	K32753-6-1		
70	K321001-4-1				70	K321001-4-1			
75	K32802-4-1				75	K32802-4-7			
80	K32802-4-1				80	K32802-4-7			

SERIES K HOSE REEL DIMENSIONS

All dimensions in inches. For millimeters, multiply inches by 25.4



MODEL NO.	A	B	C	D	E	F	G	H	J	K	T	WEIGHT
K18351-4	1.25	18.00	10.75	19.75	10.59	2.50	7.50	9.50	2.88	12.12	.56-18	115 lbs
K18751-4	1.25	18.00	10.75	19.75	10.59	3.00	7.50	9.50	2.88	12.62	.56-18	120 lbs
K21751-4	1.25	21.00	12.50	23.00	10.59	3.00	7.50	9.50	2.88	12.62	.56-18	130 lbs
K24751-4	1.25	24.00	14.00	26.00	10.59	3.00	7.50	9.50	2.88	12.62	.56-18	140 lbs
K28751-4	1.25	28.00	16.00	30.00	10.59	3.00	7.50	9.50	2.88	12.62	.56-18	150 lbs
K281001-4	1.25	28.00	16.00	30.00	14.34	4.00	7.50	9.50	2.88	13.62	.56-18	160 lbs
K32802-4	1.25	32.00	18.00	34.00	14.34	5.38	7.50	9.50	2.88	15.00	.56-18	235 lbs
K321001-4	1.25	32.00	18.00	34.00	14.34	4.00	7.50	9.50	2.88	13.62	.56-18	180 lbs
K18751-6	1.75	18.00	10.75	19.75	10.59	3.00	8.00	10.00	2.88	13.12	.75-16	120 lbs
K21351-6	1.75	21.00	12.50	23.00	10.59	2.50	8.00	10.00	2.88	12.62	.75-16	115 lbs
K21751-6	1.75	21.00	12.50	23.00	10.59	3.00	8.00	10.00	2.88	13.12	.75-16	130 lbs
K24751-6	1.75	24.00	14.00	26.00	10.59	3.00	8.00	10.00	2.88	13.12	.75-16	140 lbs
K28751-6	1.75	28.00	16.00	30.00	10.59	3.00	8.00	10.00	2.88	13.12	.75-16	155 lbs
K281001-6	1.75	28.00	16.00	30.00	14.34	4.00	8.00	10.00	2.88	14.12	.75-16	165 lbs
K32752-6	1.75	32.00	18.00	34.00	10.59	5.38	8.00	10.00	2.88	15.50	.75-16	225 lbs
K32753-6	1.75	32.00	18.00	34.00	10.59	7.75	8.00	10.00	2.88	17.88	.75-16	280 lbs
K321001-6	1.75	32.00	18.00	34.00	14.34	4.00	8.00	10.00	2.88	14.12	.75-16	180 lbs
K18751-8	2.12	18.00	10.75	19.75	10.59	3.00	8.38	10.38	2.88	13.50	.88-14	120 lbs
K21751-8	2.12	21.00	12.50	23.00	10.59	3.00	8.38	10.38	2.88	13.50	.88-14	130 lbs
K24751-8	2.12	24.00	14.00	26.00	10.59	3.00	8.38	10.38	2.88	13.50	.88-14	140 lbs
K241001-8	2.12	24.00	14.00	26.00	14.34	4.00	8.38	10.38	2.88	14.50	.88-14	150 lbs
K28751-8	2.12	28.00	16.00	30.00	10.59	3.00	8.38	10.38	2.88	13.50	.88-14	155 lbs
K281001-8	2.12	28.00	16.00	30.00	14.34	4.00	8.38	10.38	2.88	14.50	.88-14	165 lbs
K32752-8	2.12	32.00	18.00	34.00	10.59	5.38	8.38	10.38	2.88	15.88	.88-14	225 lbs
K32753-8	2.12	32.00	18.00	34.00	10.59	7.75	8.38	10.38	2.88	18.25	.88-14	280 lbs
K321001-8	2.12	32.00	18.00	34.00	14.34	4.00	8.38	10.38	2.88	14.50	.88-14	180 lbs
K241001-12	2.75	24.00	14.00	26.00	14.34	4.00	9.00	11.00	2.88	16.77	1.06-12	160 lbs
K28753-12	2.75	28.00	16.00	30.00	10.59	7.75	9.00	11.00	2.88	20.56	1.06-12	275 lbs
K281001-12	2.75	28.00	16.00	30.00	14.34	4.00	9.00	11.00	2.88	16.77	1.06-12	175 lbs
K32753-12	2.75	32.00	18.00	34.00	10.59	7.75	9.00	11.00	2.88	20.56	1.06-12	290 lbs
K32754-12	2.75	32.00	18.00	34.00	10.59	10.12	9.00	11.00	2.88	22.88	1.06-12	350 lbs

Optional Ratchet Lock
All Models: Part No. 014209

NOTE REGARDING HOSE LENGTH: Because hoses attach to reel on opposite sides of spool core (see drawings above), one hose must be longer than the other per following table.

- 1/4" I.D.....12"
- 3/8" I.D.....16"
- 1/2" I.D.....16"
- 3/4" I.D.....24"



Gleason Reel Corp.
600 South Clark St. • P.O. Box 26
Mayville, WI 53050
Phone: 920-387-4120
Fax: 920-387-4189
www.hubbell-gleason.com