



SERIES MH HOSE REELS

COMMERCIAL / INDUSTRIAL APPLICATIONS
FOR MOBILE OUTDOOR ENVIRONMENT USE

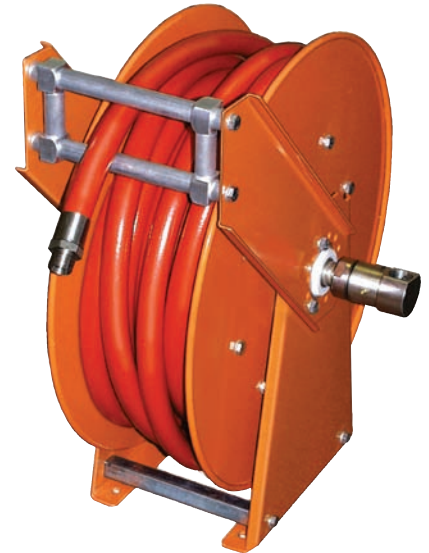
Choose 3/8", 1/2", 3/4", 1", 1-1/4" or 1-1/2" hose. Reels feature spring rewind and ratchet lock, multi-position four roller hose guide and adjustable hose stop. Hand-pull application with rugged steel construction. Steel components protected by durable baked polyester finish. Female input fitting is the same size as output hose on reel spool.

REELS FEATURE:

- 3/8", 1/2", 3/4", 1", 1-1/4" or 1-1/2" hose
- air, water, oil, grease, or oxygen/acetylene duty
- Rugged steel construction
- High quality swivel joints designed with seals for each specific fluid application
- Hand pull, fully automatic rewind
- Heavy duty mounting brackets
- Spring motors are safety banded, totally enclosed and lubricated for long, trouble free performance
- Positive ratchet lock
- Multi-position adjustable full width hose guides to prevent hose from "stacking"
- Orange polyester baked-on finish
- Adjustable hose stops



Model MHA



Model MHB

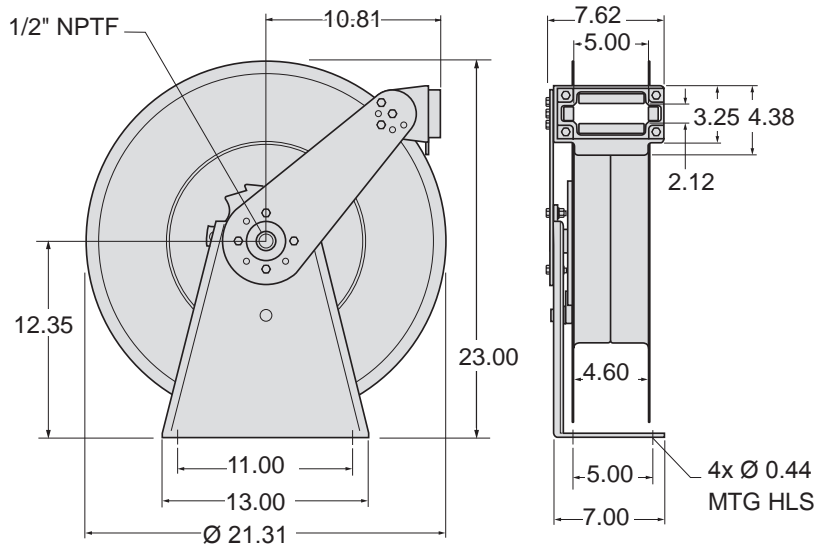
HOSE REEL DATA

MODEL NUMBER	I.D. inch	LENGTH feet	MAX PRESSURE psi	APPLICATION	DESCRIPTION	INPUT HOSE FITTING	O.D. inch	WGT (LB)
MHA3850-L	3/8	50	300	Air/Water	50' of low pressure 3/8" ID Hose	3/8 NPTF	21/32	70
MHA3875-L	3/8	75	300	Air/Water	75' of low pressure 3/8" ID Hose	3/8 NPTF	21/32	73
MHA5050-L	1/2	50	300	Air/Water	50' of low pressure 1/2" ID Hose	1/2 NPTF	7/8	72
MHA5075-L	1/2	75	300	Air/Water	75' of low pressure 1/2" ID Hose	1/2 NPTF	7/8	77
MHA7550-L	3/4	75	300	Air/Water	50' of low pressure 3/4" ID Hose	3/4 NPTF	1-5/64	88
MHB1070-L	1.00	70	250	Air/Water	70' of low pressure 1.00" ID Hose	1.00 NPTF	1-7/16	164
MHB1250-L	1-1/4	50	300	Air/Water	50' of low pressure 1-1/4" ID Hose	1-1/4 NPTF	1-31/32	160
MHB1275-L	1-1/4	75	300	Air/Water	75' of low pressure 1-1/4" ID Hose	1-1/4 NPTF	1-31/32	178
MHB1525-L	1-1/2	25	300	Air/Water	25' of low pressure 1-1/2" ID Hose	1-1/2 NPTF	2-3/32	157
MHB1550-L	1-1/2	50	300	Air/Water	50' of low pressure 1-1/2" ID Hose	1-1/2 NPTF	2-3/32	171
MHA3850-M	3/8	50	2000	Oil/Hyd. Fluid	50' of medium pressure 3/8" ID Hose	3/8 NPTF	11/16	69
MHA3875-M	3/8	75	2000	Oil/Hyd. Fluid	75' of medium pressure 3/8" ID Hose	3/8 NPTF	11/16	84
MHA5050-M	1/2	50	1000	Oil/Hyd. Fluid	50' of medium pressure 1/2" ID Hose	1/2 NPTF	27/32	80
MHA7550-M	3/4	50	1000	Oil/Hyd. Fluid	50' of medium pressure 3/4" ID Hose	3/4 NPTF	1-3/16	88
MHB1070-M	1.00	70	1000	Oil/Hyd. Fluid	70' of medium pressure 1" ID Hose	1.00 NPTF	1-13/32	176
MHA3850-H	3/8	50	4000	Grease	50' of high pressure 3/8" ID Hose	3/8 NPTF	23/32	85
MHA3875-H	3/8	75	4000	Grease	75' of high pressure 3/8" ID Hose	3/8 NPTF	23/32	97
MHA5050-H	1/2	50	4000	Grease	50' of high pressure 1/2" ID Hose	1/2 NPTF	57/64	93
MHA2550-OA	1/4	50	200	Oxy/Acetylene	50' of 1/4" Oxy/Acetylene Hose	9/16-18 UNF	17/32	72
MHA7550-F	3/4	50	200	Fuel	50' of low pressure 3/4" ID Fuel Hose	3/4 NPTF	1-5/64	79
MHB1250-F	1-1/4	50	300	Fuel	50' of low pressure 1-1/4" ID Fuel Hose	1-1/4 NPTF	1-31/32	159
MHB1550-F	1-1/2	50	500	Fuel	50' of low pressure 1-1/2" ID Fuel Hose	1-1/2 NPTF	2-3/32	171

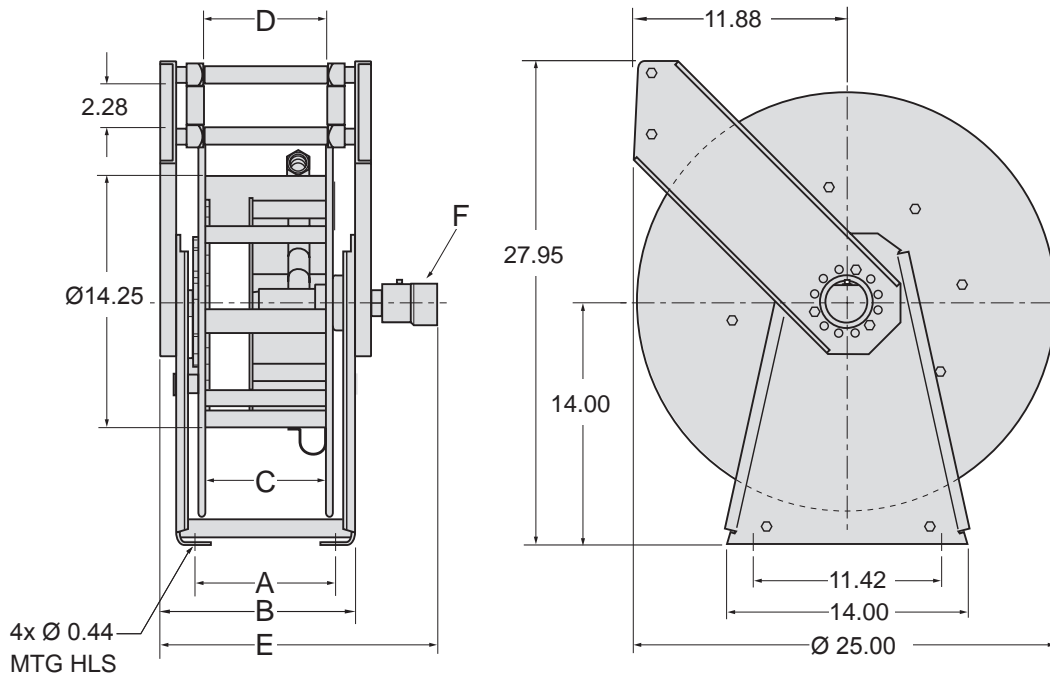
All reels can be supplied without hose. Please consult factory for pricing.

SERIES MH HOSE REEL DIMENSIONS

All dimensions in inches. For millimeters, multiply inches by 25.4.



SERIES MHA DIMENSIONS



SERIES MHB DIMENSIONS

A	B	C	D	E	F
7.83	10.28	7.89	6.73	16.00	1" NPTF
10.98	13.43	10.00	9.84	19.20	1-1/2" NPTF



Gleason Reel Corp.
 600 South Clark St. • P.O. Box 26
 Mayville, WI 53050
 Phone: 920-387-4120
 Fax: 920-387-4189

www.hubbell-gleason.com