



Workplace Solutions

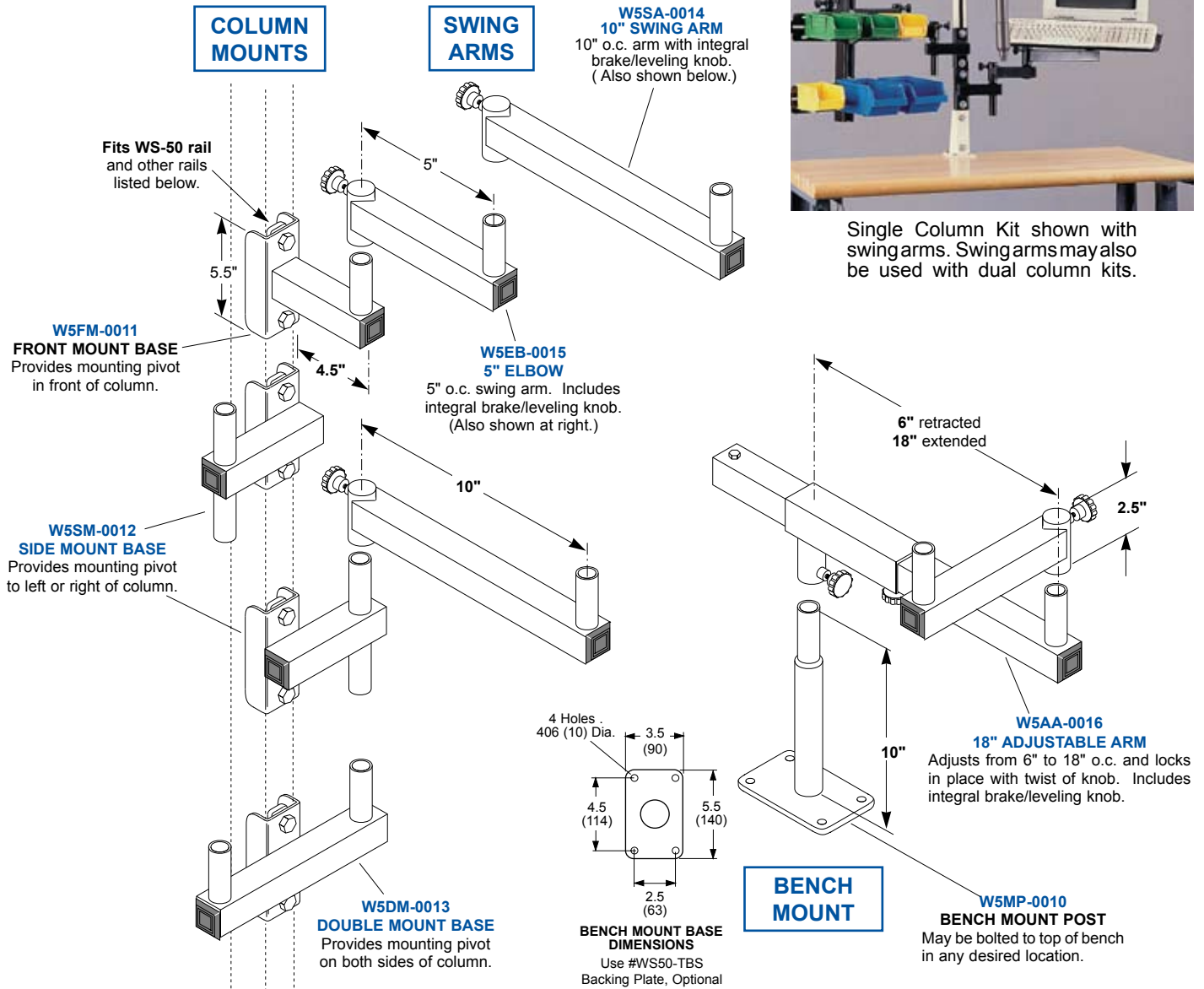
SWING ARMS

MAKE YOUR WORKPLACE USER FRIENDLY

Swing arms, with a variety of attachments, can be added to existing workstations or benches. Column mounts clamp on any **WS50** or similar column or rail. Bench mount can be bolted to any level surface. Arms, elbows and attachments slide together and can be adjusted to provide maximum worker efficiency...least worker strain. Black baked polyester finish (boards natural, beige or white as shown). Max capacity 30 lbs. (13.5 kg), arm alone or arm and elbow together. Use of three or more arms or elbows on one mount reduces capacity and is not recommended. Swing arms, elbows and attachments include adjustable drag brakes. Installation hardware included with column mounts.



Single Column Kit shown with swing arms. Swing arms may also be used with dual column kits.



BASES MOUNT TO COLUMNS MADE BY OTHERS

The wrap-around design of the column mounts allows affixing to a variety of commonly used vertical support rails with dimensions similar to our WS50 rail. The rails listed below will accept these mounting bases.

BRAND	RAIL TYPE	BRAND	RAIL TYPE
Aeromotive	See bewa	Econoline	WS50, WA50
Bee-Line [Ⓛ]	B-22 & B-24	Kindorf [Ⓛ]	B-905
bewa [Ⓢ]	5400	Unistrut [Ⓛ]	P-1000, P-3000
DuctoWire	FC-CH2A	Wampfler [Ⓢ]	24-100

[Ⓛ] This is a "construction" rail and does not provide a suitable surface for wheels.
[Ⓢ] German product design

ACCESSORIES



Workplace Solutions

ADD ACCESSORIES TO YOUR KIT MAKE YOUR WORKSTATIONS DO ALL THEY CAN DO

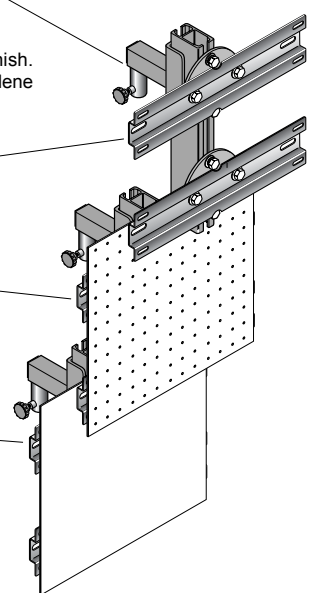
Customize your workstations to fit the task and the worker. Attachments slide easily onto mounts or swing arms (previous page). Adjustable brake may be tightened to limit free movement. Frame available separately for holding your custom board. Components finished as shown below. All mounting hardware included. Complete kits, including arms, also available. See details below, right.

W5BR-1018 (single bar)
W5BR-2018 (double bar, shown)
W5BR-3018 (triple bar)
BIN RACK
 19" w x 20" h (483 x 508).
 Heavy gauge steel with black finish.
 Accepts Akro, Lewis, Nestier, Duralene
 and other brands of bin boxes.

W5BR-0018
BAR ONLY
 Includes mounting disk.

W5PB-2018
PEG BOARD & MOUNT
 19" w x 20" h (483 x 508).
 Natural color composition board.

W5MB-2018
WHITE MARKER BOARD & MOUNT
 19" w x 20" h (483 x 508). Steel.
 Use magnets or wipe-off markers.

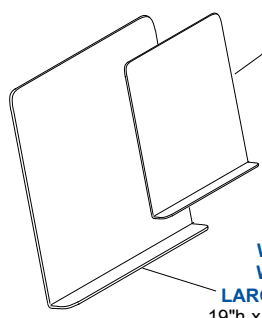


W5CT-0017
SWIVEL TRAY
 15" x 15" (381 x 381).
 Does not include Key Board Tray.
 Black baked polyester finish.

Also available: 10" x 10" flat tray
 which tilts 90°
 Order **W5ST-1010**

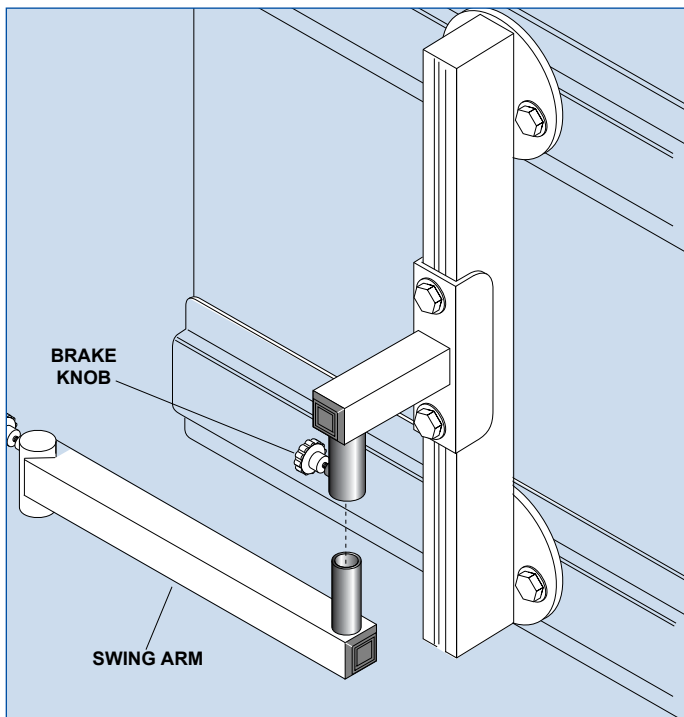
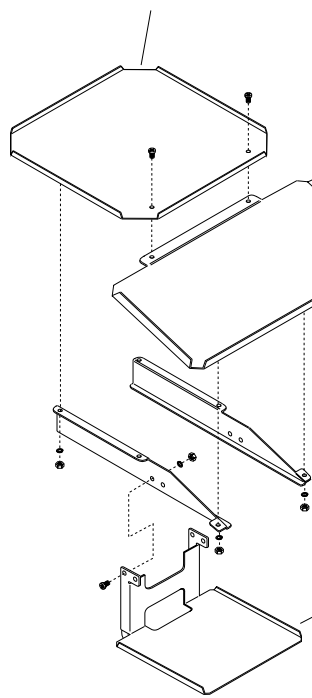
W5SS-0019 (Black)
W5SB-0024 (Beige)
SMALL DOCUMENT STAND
 10" w x 12" h (254 x 305).
 Holds A size drawings.
 Features 90° tilt; flat to vertical.

W5LB-0025 (Beige)
W5DB-0026 (Black)
LARGE DOCUMENT STAND
 19" h x 17" w (483 x 432).
 Ideal for B or C size drawings.
 Features 90° tilt; flat to vertical.



W5KT-0018
KEY BOARD TRAY & SUPPORTS
 9" x 21" (229 x 533). 15° tilt angle. Mounts to
 #W5CT-0017 Swivel Tray. Includes all mounting
 hardware. Also available: 12" x 6" tray with post for
 securing to arm. Swivels 360° and tilts up to 90°.
 Order model #W5KY-0612.

W5MT-0028
MOUSE PAD TRAY
 9" d x 10.5" w (229 x 267). Mounts
 to #W5KT-0018 Key Board Tray
 support brackets. Includes all
 mounting hardware.



UNIVERSAL MOUNTING SYSTEM

Attachments slide easily onto swing arm or base posts.
 No tools required. Knob locks attachment in place following adjustment.

Kits—Include Base, Arms & Attachment

Easily fasten to vertical columns of Workstation. Each kit includes one 5" & one 10" arm plus mounting base and attachment shown. Rugged steel construction. All mounting hardware included.



Document Stand. 19" W x 17" H. 90° tilt, from flat to vertical.



Combo Computer, Keyboard & Mouse Tray. CPU tray 15" x 15"; Keyboard tray 9" x 21", tilts 20°. Mouse tray 9" D x 10.5" W.



Adjustable, See-thru Rack for Hanging Shelf Bins. 24" H x 18" W. (Accommodates Akro-Mils Akrobins™, as well as Gould Duralux™ bin boxes)

DESCRIPTION	MODEL NUMBER
Document Stand	W5DS-SAK
Adjustable Bin Rack	W5BB-SAK
Combo Computer & Keyboard Tray	W5CK-SAK