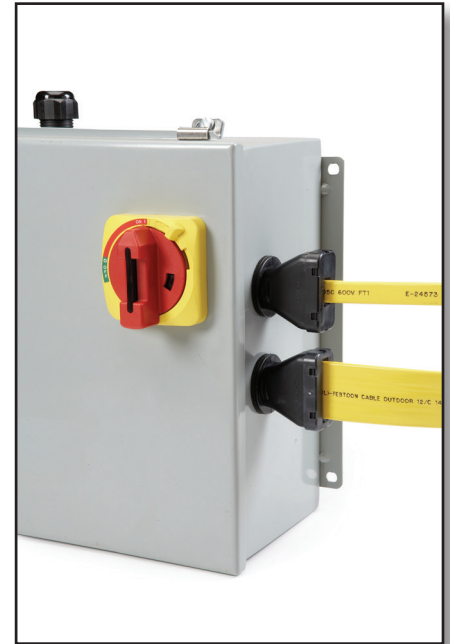


UNIVERSAL CABLE GRIP

Running industrial flat cables into electrical control panels has never been more convenient.

Our universal cable grip, with one size body fits flat cables ranging from 4 conductor #16 AWG, to 4 conductor #6 AWG up to 12 conductor #14 AWG.

Our unique 5 part construction, 2 body halves, rubber gasket, nut and interchangeable cap allows for ultimate flexibility. Our caps with various sized openings allow for a range of flat cables. The 1" NPT thread size in the neck of the cable grip body requires a standard 1.250" diameter hole cut into the electrical enclosure.



“No need to carry multiple hole saw cutting tools!”

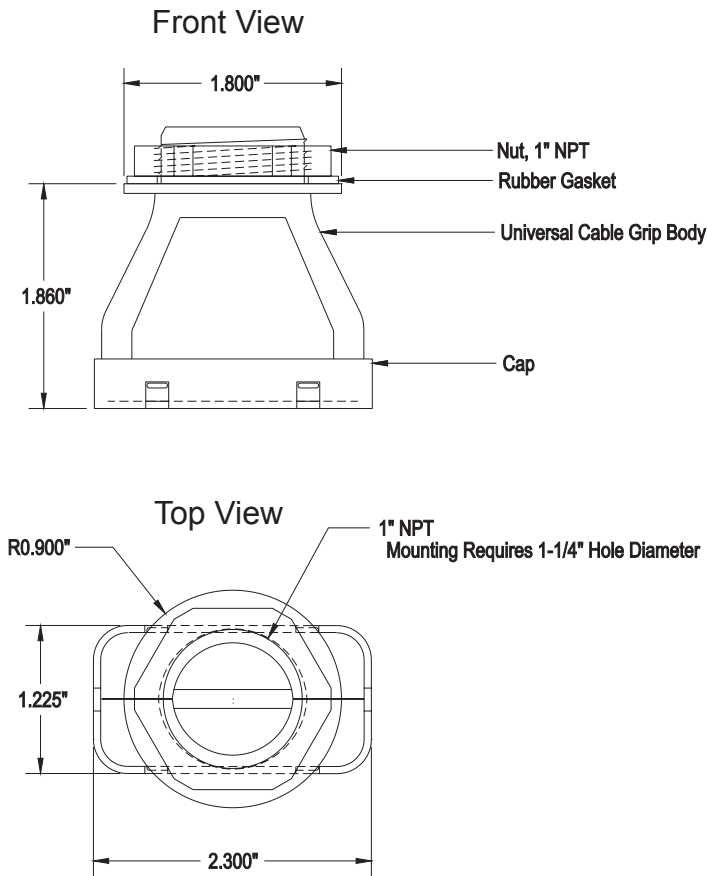


CAT. NUMBER	CABLE GRIP BODY	UNIT LIST PRICE
F-NMUCG-B1	4 Part Body (includes 2 pc. body halves, gasket and nut)	
F-NMUCG-B1-10	Package of 10 pcs.	
CAT. NUMBER	CABLE GRIP - CAP	UNIT LIST PRICE
See back page.	Package of 10 pcs. (one size only)	

UNIVERSAL CABLE GRIP

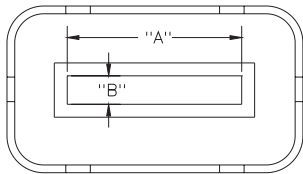
BENEFITS OF CONSTRUCTION

- Made from non-metallic, fire retardant, high-impact nylon compound
- Oil resistant, durable with temperature rating of -25°C to 81°C (-13°F to 177°F)
- Complete with rubber gasket to help prevent moisture penetration
- 2 part body incorporates interlocking frame for increased stability of construction
- Interchangeable caps for all the flat cable sizes listed in the chart below
- Requires a standard 1.250" diameter hole for mounting into the electrical enclosures



Each cap is clearly marked with a part number for easy identification of the correct cable size. See the chart below for the range of flat cable sizes and cap part numbers.

Part Number	"A"	"B"	For Flat Cable	Flat Cable
			Cat. #	Description
F-NMUCG-C1-10	0.625"	0.195"	F-14/4	4 conductor # 14 AWG
F-NMUCG-C11-10	0.675"	0.215"	F-12/4	4 conductor # 12 AWG
F-NMUCG-C2-10	0.850"	0.250"	F-10/4	4 conductor # 10 AWG
F-NMUCG-C3-10	1.160"	0.345"	F-8/4	4 conductor # 8 AWG
F-NMUCG-C4-10	1.430"	0.420"	F-6/4	4 conductor # 6 AWG
F-NMUCG-C5-10	1.100"	0.185"	F-16/8	8 conductor # 16 AWG
F-NMUCG-C51-10	1.120"	0.195"	F-14/8	8 conductor # 14 AWG
F-NMUCG-C6-10	1.113"	0.225"	F-12/8	8 conductor # 12 AWG
F-NMUCG-C7-10	1.575"	0.185"	F-16/12	12 conductor # 16 AWG
F-NMUCG-C71-10	1.630"	0.195"	F-14/12	12 conductor # 14 AWG



Gleason Reel Corp.
 600 South Clark St.
 Mayville, WI 53050
 Phone: 920-387-4120 • Fax: 920-387-4189
 www.hubbell-gleason.com