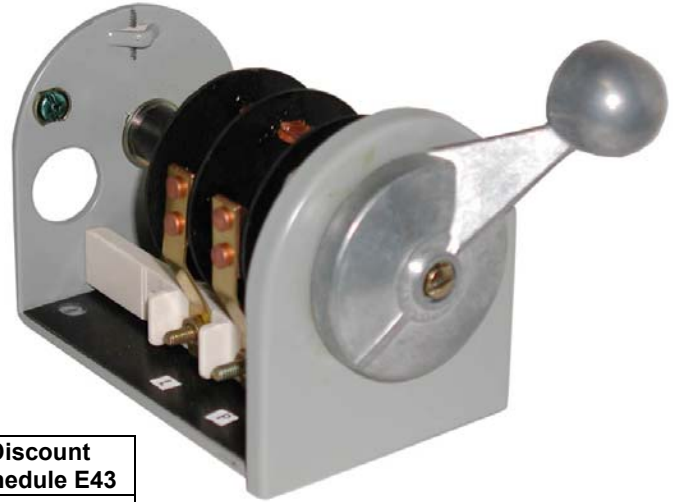


Features

- Easy Terminal Access
- Heavy Duty Contacts
- NEMA 1 Enclosed (Standard)
- NEMA 3 (Optional)
- UL Listed E10590
- CSA Certified LR6535

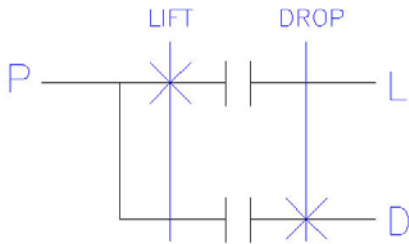


How to order

Part Number	Description	Discount Schedule E43
J2M4215	Lift-drop switch for Type 4292 or 4295 controller.	\$510
J2M92B	Lift-off drop switch for Type 4296 controller.	\$510

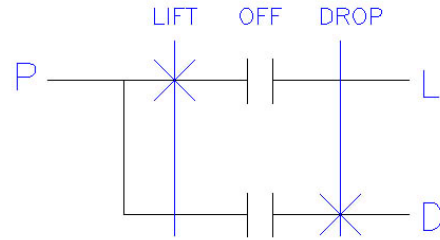
Connection Diagram

4291/4292/4295 Automatic Discharge Magnet Controller



Maintained in both positions

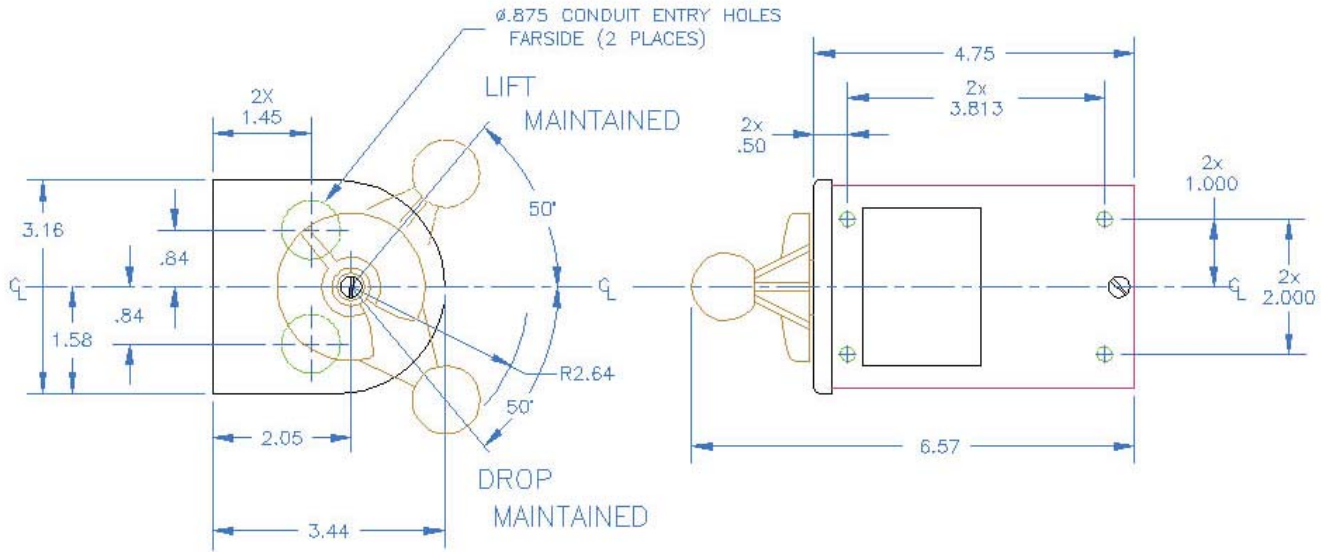
4296 Manual Discharge Magnet Controller
(Maintained) (Momentary)



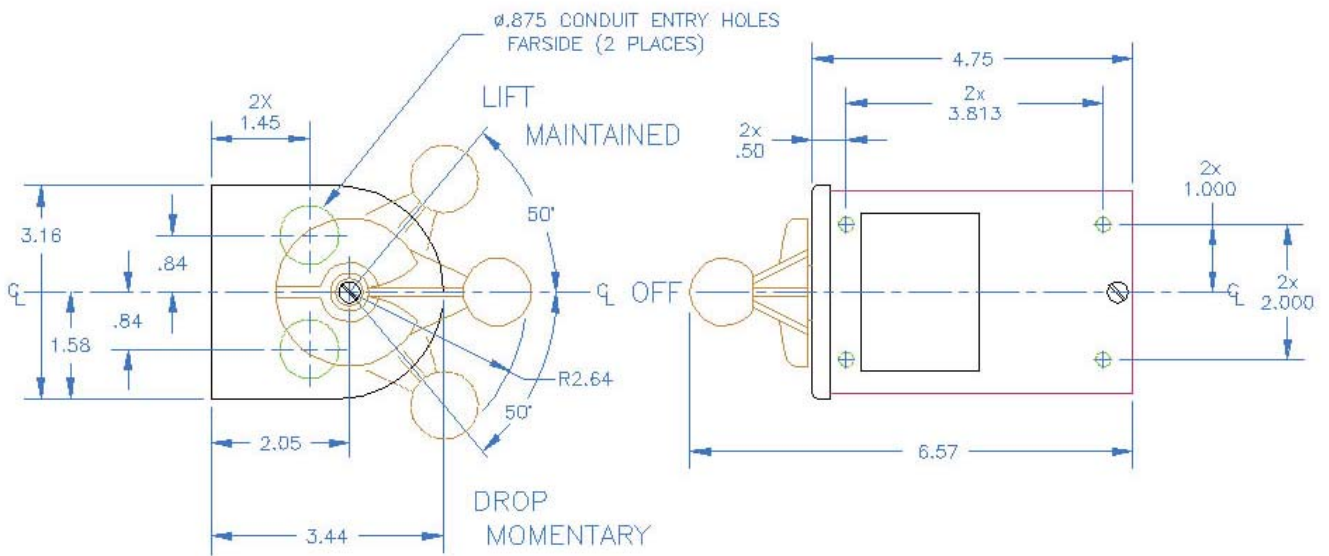
Contact Rating Table		
Part Number	Voltage	Amps
J2M4215	115/230 VDC	4
J2M92B	115/230 VDC	4



Dimensions
NEMA 1 Enclosed



A-17326-003



A-17326-002



Hubbell Industrial Controls, Inc.
 A subsidiary of Hubbell Incorporated
 4301 Cheyenne Dr., Archdale, NC. 27262
 Telephone (336) 434-2800 • FAX (336) 434-2803
<http://www.hubbell-icd.com>
Sales@hubbell-icd.com