



**Class 53**

**Class 53 Master Switches** are used to provide single handle pilot control of hoists, cranes, oven pushers, car movers and other equipment requiring speed steps of wound rotor or direct current motors.

A special duplex control accessory is available to provide single handle control of two master controls to provide diagonal motion.

They satisfy applications requiring a definite sequence of opening and closing multiple pilot contacts.

Class 53 Master Switch Standard Features Include:

- Double Break Contacts
- Compact Design
- Momentary or Maintained Contacts
- UL Listed
- CSA Certified

**Maintained Contacts - Class 53**

DISCOUNT CODE FP

Speeds	Contacts NO (poles)	Contacts Closed Forward	Contacts Closed Reverse	NEMA 1 Enclosure	
				Catalog No.	Price
1	2	1	1	HCC2542	\$2,104
2	3	2	2	HCC2374	\$2,196
3	4	3	3	HCC3331	\$2,266
4	5	4	4	HCC3330	\$2,358
5	6	5	5	HCC1950	\$2,428

**Momentary Contacts - Class 53**

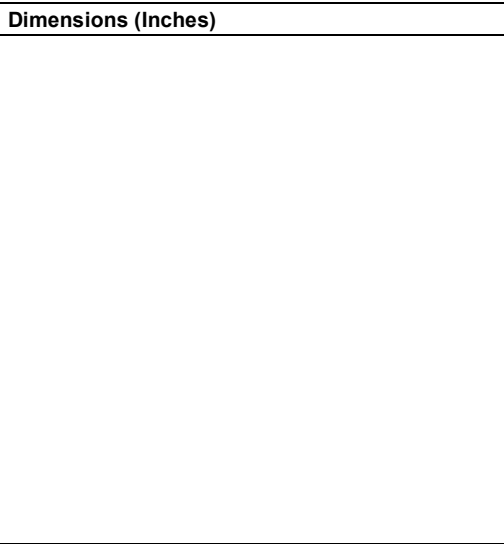
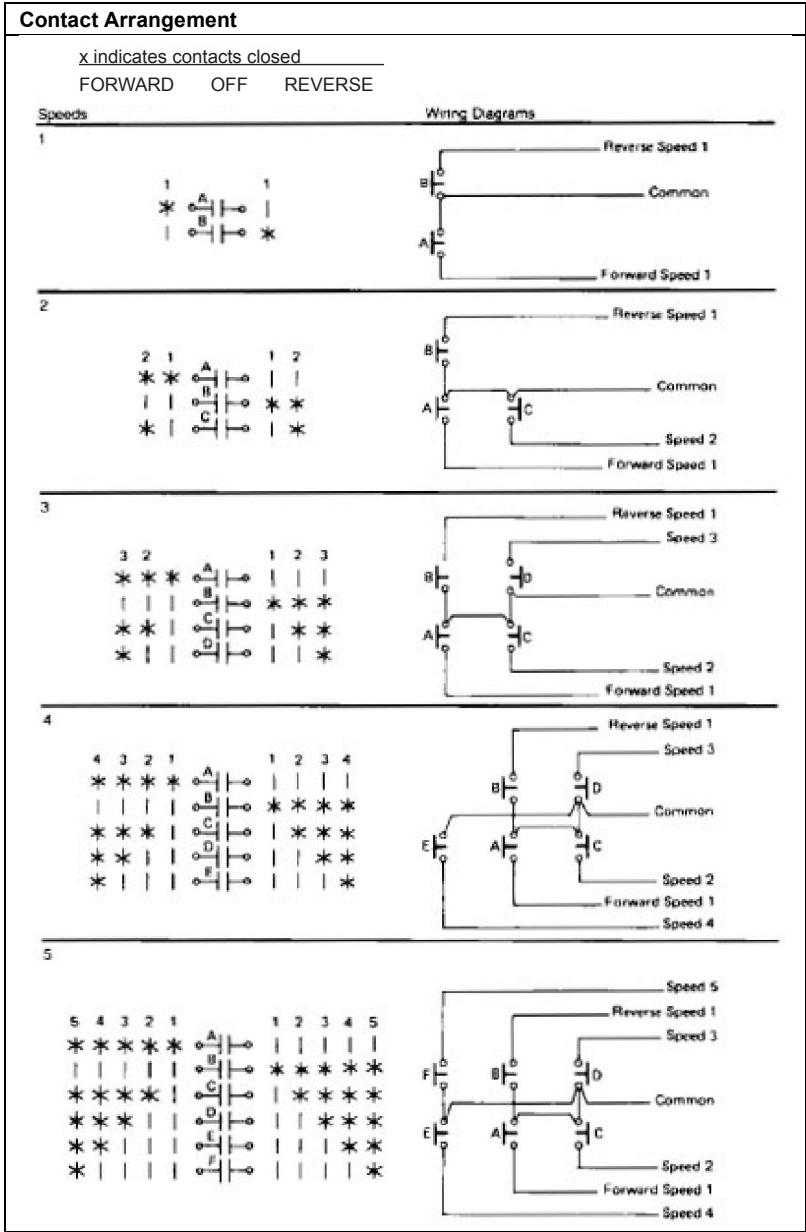
DISCOUNT CODE FP

Speeds	Contacts NO (poles)	Contacts Closed Forward	Contacts Closed Reverse	NEMA 1 Enclosure	
				Catalog No.	Price
1	2	1	1	HCC2123	\$2,290
2	3	2	2	HCC2268	\$2,382
3	4	3	3	HCC2060	\$2,452
4	5	4	4	HCC4130	\$2,542
5	6	5	5	HCC1188	\$2,614

**Replacement Parts - Class 53** DISCOUNT CODE FS

Description	Catalog No.	Price
Contact Board Contacts Included	HCL14112	\$137

Wiring



**Electrical Ratings**

Volts	Make	Break
<b>NEMA A600 10 Continuous Amps (AC)</b>		
120	60	6.0
240	30	3.0
480	15	1.5
600	12	1.2
VA	7200	720.0
<b>NEMA P600 5 Continuous Amps (DC)</b>		
125	1.10	1.10
250	0.55	0.55
301-600	0.20	0.20
VA (300V or less)	138.00	138.00



**Hubbell Industrial Controls, Inc.**

a subsidiary of Hubbell Incorporated  
 4301 Cheyenne Drive, Archdale, NC 27263  
 Phone (336) 434-2800 | Fax (336) 434-2801  
[www.hubbell-icd.com](http://www.hubbell-icd.com)  
[sales@hubbell-icd.com](mailto:sales@hubbell-icd.com)