

Alternating Relay

5247

Catalog & Price List • April 2013, Replaces April 2011

Description

The Class 47 alternator relay provides a means of automatically alternating the operation of two separately mounted motor driven pumps or compressors. This alternating action assures even readiness and wear on both pumps.

The Class 47 alternator is of industrial design specifically for use in pump and compressor applications. It is easily field installed and wired in control panels, pump panels or as a separately enclosed unit for surface mounting.

The alternator has single pole double throw heavy duty 10 ampere silver cadmium oxide contacts enclosed in a transparent dust cover. The snap action contacts transfer when the unit is de-energized. The circuit is never closed or opened while current is being conducted. This provides increased control life. The alternator is wired to operate the second motor starter the next time a pump operation is required.



Features

- No Load Transfer
- Industrial Design
- Front Wired
- NEMA Rating A600
- SPDT 10 Amp Contacts
- UL Listed File #E22655
- CSA Certified File #LR6535



Contacts shown with Plastic cover removed

Electrical Ratings

NEMA AC Ratings 50/60 Hz		
NEMA A600 10 Amps Cont.		
Volts	Make	Break
120	60	6
240	30	3
480	15	1.5

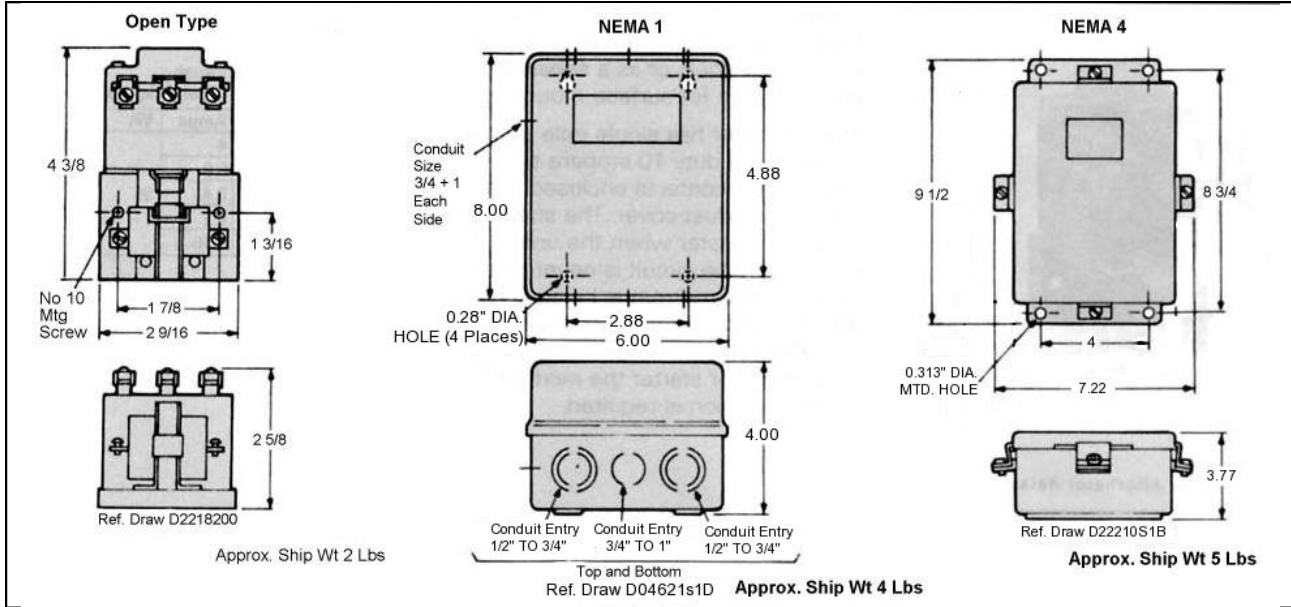
Coil Data					
Watts	Volts 60Hz	Inrush (Open Magnet)		Normal (Sealed Magnet)	
		Amps	VA	Amps	VA
4	24	4	96	0.629	15.1
	120	0.8		0.126	
	240	0.4		0.063	
	480	0.2		0.031	

Discount Code FP

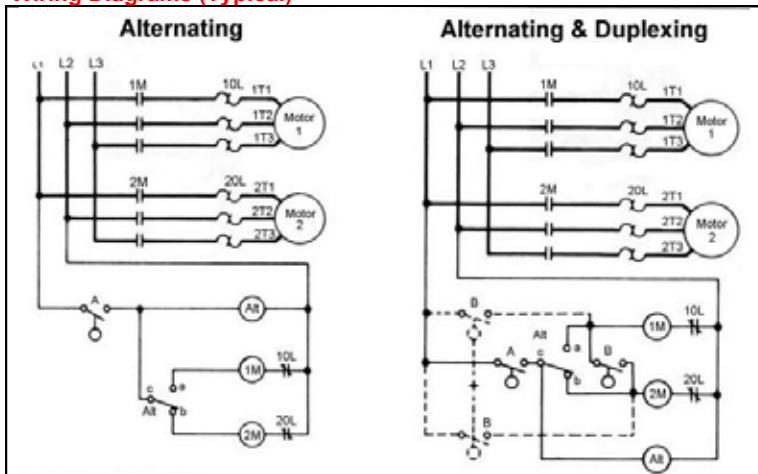
Volts 60Hz	Open Type		NEMA 1* General Purpose		NEMA 4* Water Tight / Painted Steel	
	Catalog No.	List Price	Catalog No.	List Price	Catalog No.	List Price
24	47AB10AJ	\$432	47AB10BJ	\$687	47AB10EJ	\$867
120	47AB10AF	\$432	47AB10BF	\$687	47AB10EF	\$867
200	47AB10AD	\$432	47AB10BD	\$687	47AB10ED	\$867
240	47AB10AG	\$432	47AB10BG	\$687	47AB10EG	\$867
480	47AB10AH	\$432	47AB10BH	\$687	47AB10EH	\$867

*Consult Factory for Enclosed Relays

Dimensions



Wiring Diagrams (Typical)



Replacement Parts



Class	Volts 60Hz	Catalog No.	Disc. Code FS List Price
47	24	75D50833J	\$126
47	120	75D50833F	\$126
47	200	75D50833D	\$126
47	240	75D50833G	\$126
47	480	75D50833H	\$126



Hubbell Industrial Controls, Inc.

a subsidiary of Hubbell Incorporated
 4301 Cheyenne Drive, Archdale, NC 27263
 Phone (336) 434-2800 | Fax (336) 434-2801
 www.hubbell-icd.com
 sales@hubbell-icd.com