



**RACO**

**TAYMAC**

**BELL**

**WIEGMANN**

**ACME**

**ELECTRIC**

COMMERCIAL, INDUSTRIAL AND RESIDENTIAL ELECTRICAL PRODUCTS

# ULTIMATE MINI-MAX™

JIC Box ¼ Turn Style

Maximum protection in a small enclosure

This product will complement the popular line of larger size N412-C Ultimate Enclosures.



**Ultimate  
Mini-Max™**

*Food & Beverage Processing, Washdown Areas, Corrosive Environments, Harsh Locations, Process, Automation, Waste Water Treatment, Oil/Gas Pharmaceutical, Mining, Coastal Installations*



ULTIMATE MINI-MAX™

# Ultimate Mini-Max™ JIC Box ¼ Turn Style

Maximum protection in a small enclosure

## Application

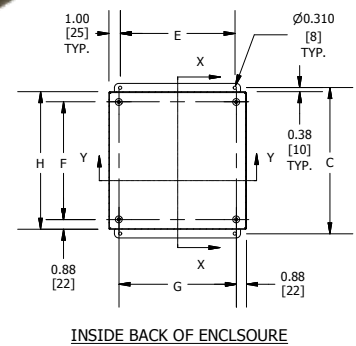
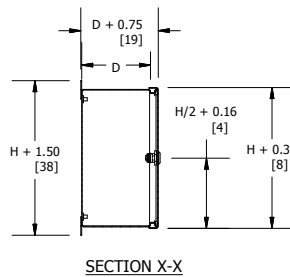
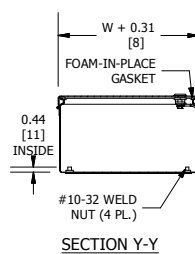
Ultimate Mini-Max™ Series enclosures are designed to house and protect electrical and electronic components from harsh, dirty environments. For use in installations where dirt, dust, oil, water and other contaminants are present. Streamlined styling, ¼ turn latch and attractive durable finish complement any high tech electronic equipment.

## Carbon Steel Enclosures

- New ¼ turn style JIC enclosure makes for easy door seal
- Eliminates the need for exterior clips to secure door shut
- ¼ turn latch is interchangeable with many locking designs available to better suit the customer
- FTC flange around the entire door opening to channel liquids away
- ANSI 61 Gray Powder Coat Finish

## Industry Standards

- UL Listed Enc. Types 4 & 12
- NEMA Type 4 & 12
- UL Classified IEC 60529 IP66



UL Files E64791, E470978



CATALOG NUMBER	ENCLOSURE SIZE	BACK PANEL CATALOG NUMBER WHITE "G"		BACK PANEL SIZE A X B	MOUNTING C X E	F	G
BN4060604CHQT	6" x 6" x 4"	P0606	P0606G	4.88 x 4.88	6.75 x 4.00	4.25	4.25
BN4080604CHQT	8" x 6" x 4"	P0806	P0806G	6.88 x 4.88	8.75 x 4.00	6.25	4.25
BN4100804CHQT	10" x 8" x 4"	P1008	P1008G	8.88 x 6.88	10.75 x 6.00	8.25	6.25
BN4100806CHQT	10" x 8" x 6"	P1008	P1008G	8.88 x 6.88	10.75 x 6.00	8.25	6.25
BN4121006CHQT	12" x 10" x 6"	P1210	P1210G	10.88 x 8.88	12.75 x 8.00	10.25	8.25
BN4121206CHQT	12" x 12" x 6"	P1212	P1212G	10.88 x 10.88	12.75 x 10.00	10.25	10.25
BN4141206CHQT	14" x 12" x 6"	P1412	P1412G	12.88 x 10.88	14.75 x 10.00	12.25	10.25
BN4161406CHQT	16" x 14" x 6"	P1614	P1614G	14.88 x 12.88	16.75 x 12.00	14.25	12.25
BN4121008CHQT	12" x 10" x 8"	P1210	P1210G	10.88 x 8.88	12.75 x 8.00	10.25	8.25
BN4121208CHQT	12" x 12" x 8"	P1212	P1212G	10.88 x 10.88	12.75 x 10.00	10.25	10.25
BN4141208CHQT	14" x 12" x 8"	P1412	P1412G	12.88 x 10.88	14.75 x 10.00	12.25	10.25
BN4161408CHQT	16" x 14" x 8"	P1614	P1614G	14.88 x 12.88	16.75 x 12.00	14.25	12.25
BN4121010CHQT	12" x 10" x 10"	P1210	P1210G	10.88 x 8.88	12.75 x 8.00	10.25	8.25
BN4121210CHQT	12" x 12" x 10"	P1212	P1212G	10.88 x 10.88	12.75 x 10.00	10.25	10.25

ULTIMATE MINI-MAX™

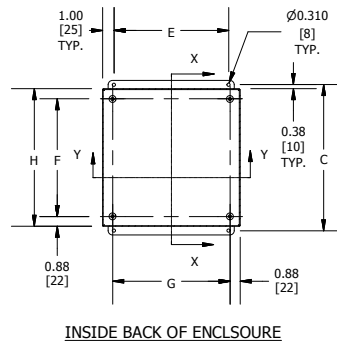
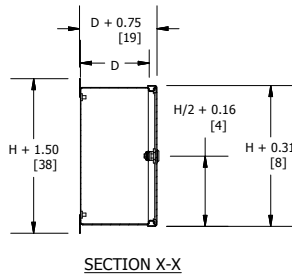
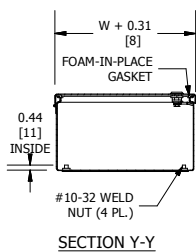


**Application**

Ultimate Mini-Max™ Series enclosures are designed to house and protect electrical and electronic components from harsh, dirty environments. For use in installations where dirt, dust, oil, water and other contaminants are present. Streamlined styling, ¼ turn latch and attractive durable finish complement any high tech electronic equipment.

**Stainless Steel Enclosures**

- New ¼ turn style JIC enclosure makes for easy door seal
- Eliminates the need for exterior clips to secure door shut
- ¼ turn latch is interchangeable with many locking designs available to better suit the customer
- FTC flange around the entire door opening to channel liquids away
- Available in light grained finish 304 or 316 Stainless Steel



**Industry Standards**

- UL Listed Enc. Types 4, 4X, & 12
- NEMA Type 4, 4X, & 12
- UL Classified IEC 60529 IP66

UL Files E64791, E470978



ENCLOSURE CATALOG NUMBER 304 SS	ENCLOSURE CATALOG NUMBER 316L SS	ENCLOSURE SIZE	WHITE	BACK PANEL CATALOG NUMBER 304 SS	"G"	BACK PANEL SIZE A X B	MOUNTING C X E	F	G
BN4060604CHQTSS	BN4060604CHQTSSA	6" x 6" x 4"	P0606	P0606SS	P0606G	4.88 x 4.88	6.75 x 4.00	4.25	4.25
BN4080604CHQTSS	BN4080604CHQTSSA	8" x 6" x 4"	P0806	P0806SS	P0806G	6.88 x 4.88	8.75 x 4.00	6.25	4.25
BN4100804CHQTSS	BN4100804CHQTSSA	10" x 8" x 4"	P1008	P1008SS	P1008G	8.88 x 6.88	10.75 x 6.00	8.25	6.25
BN4100806CHQTSS	BN4100806CHQTSSA	10" x 8" x 6"	P1008	P1008SS	P1008G	8.88 x 6.88	10.75 x 6.00	8.25	6.25
BN4121006CHQTSS	BN4121006CHQTSSA	12" x 10" x 6"	P1210	P1210SS	P1210G	10.88 x 8.88	12.75 x 8.00	10.25	8.25
BN4121206CHQTSS	BN4121206CHQTSSA	12" x 12" x 6"	P1212	P1212SS	P1212G	10.88 x 10.88	12.75 x 10.00	10.25	10.25
BN4141206CHQTSS	BN4141206CHQTSSA	14" x 12" x 6"	P1412	P1412SS	P1412G	12.88 x 10.88	14.75 x 10.00	12.25	10.25
BN4161406CHQTSS	BN4161406CHQTSSA	16" x 14" x 6"	P1614	P1614SS	P1614G	14.88 x 12.88	16.75 x 12.00	14.25	12.25
BN4121008CHQTSS	BN4121008CHQTSSA	12" x 10" x 8"	P1210	P1210SS	P1210G	10.88 x 8.88	12.75 x 8.00	10.25	8.25
BN4121208CHQTSS	BN4121208CHQTSSA	12" x 12" x 8"	P1212	P1212SS	P1212G	10.88 x 10.88	12.75 x 10.00	10.25	10.25
BN4141208CHQTSS	BN4141208CHQTSSA	14" x 12" x 8"	P1412	P1412SS	P1412G	12.88 x 10.88	14.75 x 10.00	12.25	10.25
BN4161408CHQTSS	BN4161408CHQTSSA	16" x 14" x 8"	P1614	P1614SS	P1614G	14.88 x 12.88	16.75 x 12.00	14.25	12.25
BN4121010CHQTSS	BN4121010CHQTSSA	12" x 10" x 10"	P1210	P1210SS	P1210G	10.88 x 8.88	12.75 x 8.00	10.25	8.25
BN4121210CHQTSS	BN4121210CHQTSSA	12" x 12" x 10"	P1212	P1212SS	P1212G	10.88 x 10.88	12.75 x 10.00	10.25	10.25

ULTIMATE SERIES™

Single Door Wall Mount



Carbon Steel  
N412-C



Stainless Steel  
N412-SSC (304)  
N412-SSAC (316)

Single Door Wall Mount with Window



Carbon Steel  
N412-WC



Stainless Steel  
N412-WSSC (304)

Single Door Wall Mount with Combo Handle



Carbon Steel  
N412-PTC



Stainless Steel  
N412-SS-PTC (304)  
N412-SSA-PTC (316)

Single Door Disconnect



Carbon Steel  
N412-CD



Stainless Steel  
N412-CDSS (304)  
N412-CDSSA (316)

Slope-Top Single Door



Carbon Steel  
N412-CST



Stainless Steel  
N412-CSSST (304)

Slope-Top Single Door Disconnect



Carbon Steel  
N412-CSTD



Stainless Steel  
N412-CSSSTD (304)