



COMMERCIAL, INDUSTRIAL AND RESIDENTIAL ELECTRICAL PRODUCTS

NEMA 4 AND IP66 REMOVABLE HINGE SINGLE DOOR AND DOUBLE DOOR FREESTANDING



WRD603624FS4



WRD604818FSD4

Food & Beverage Processing, Washdown Areas, Corrosive Environments, Harsh Locations, Process, Automation, Waste Water Treatment, Oil/Gas Pharmaceutical, Mining, Coastal Installations



FREESTANDING ENCLOSURES

Application


Designed to protect electrical and electronic controls, components, and instruments in typical industrial environments. Enclosures protect equipment from dust, dirt and water. These enclosures are used in machine tool applications for housing motor starters, drives, contactors, PLC's, as well as a wide variety of other electrical and electronic equipment. The addition of 19 inch rack mounted accessories make these enclosures ideal for providing rugged protection for sensitive rack mounted components in harsh industrial environments.

Industry Standards

UL listed Types 3R, 4 and 12

NEMA Types 3R, 4 and 12

UL Classified IEC 60529 IP66

 UL File E64791, E470978

Features

- Fabricated from Carbon Steel
- ANSI 61 Gray Polyester Powder Coat
- Heavy Duty 316 Stainless Steel Removable Hinges (patent pending)
- Continuously welded seams ground smooth
- Heavy duty lifting eyes for easy handling
- 3-point keylocking/padlocking combo handle
- Doors sealed with poured in place gasket
- Ground provisions provided
- Door opens 170°
- “Uni-strut” mounting channels are welded horizontally to interior body sides to allow back panels to be positioned in enclosure. Optional swing, half, full panels and rack angles can be mounted anywhere along “uni-strut” channel

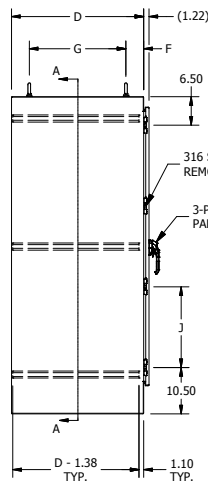
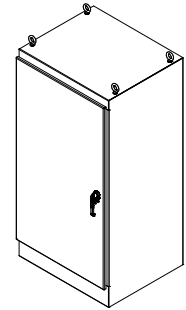


Removable hinge for easy Sub-panel installation and door modifications

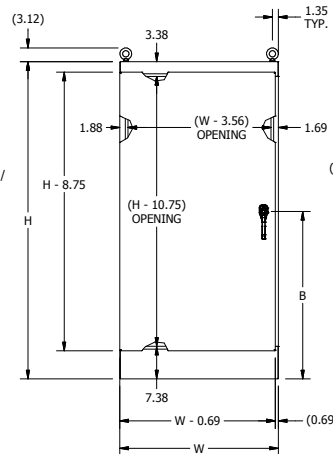


FREESTANDING ENCLOSURES

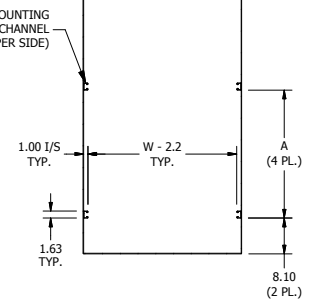
WRD-FS4 Single Door



LEFT SIDE VIEW



FRONT VIEW



SECTION A-A
(INSIDE BACK OF ENCL.)

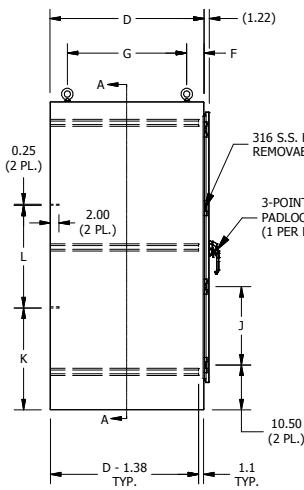
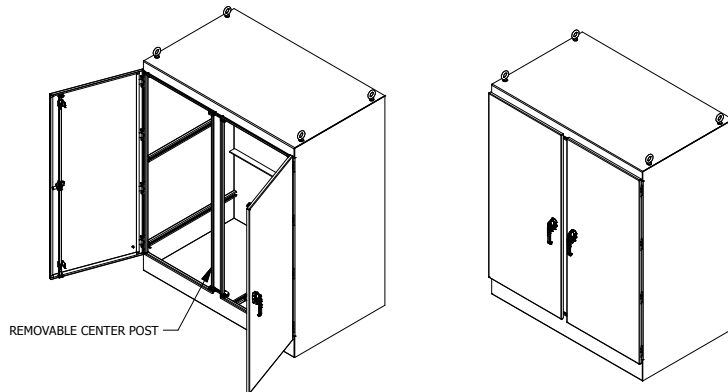
WRD-FS4 SINGLE DOOR, FREESTANDING, HEAVY-DUTY REMOVABLE HINGE ENCLOSURE

CATALOG NUMBER	ENCLOSURE SIZE H X W X D	A	B	F	G	J	NUMBER OF HINGES
WRD602418FS4	60.13 x 24.13 x 18.13 (1527x613x460)	23.13 (587)	32.06 (814)	9.06 (230)	N/A	21.56 (548)	3
WRD722418FS4	72.13 x 24.13 x 18.13 (1832x613x460)	29.13 (740)	38.06 (967)	9.06 (230)	N/A	18.38 (467)	4
WRD723018FS4	72.13 x 30.13 x 18.13 (1832x765x460)	29.13 (740)	38.06 (967)	9.06 (230)	N/A	18.38 (467)	4
WRD723618FS4	72.13 x 36.13 x 18.13 (1832x918x460)	29.13 (740)	38.06 (967)	9.06 (230)	N/A	18.38 (467)	4
WRD902420FS4	90.13 x 24.13 x 20.13 (2289x613x511)	38.13 (968)	47.06 (1195)	10.06 (256)	N/A	18.28 (464)	5
WRD903620FS4	90.13 x 36.13 x 20.13 (2289x918x511)	38.13 (968)	47.06 (1195)	10.06 (256)	N/A	18.28 (464)	5
WRD603624FS4	60.13 x 36.13 x 24.13 (1527x918x613)	23.13 (587)	32.06 (814)	12.06 (306)	N/A	21.56 (548)	3
WRD722424FS4	72.13 x 24.13 x 24.13 (1832x613x613)	29.13 (740)	38.06 (967)	12.06 (306)	N/A	18.38 (467)	4
WRD723024FS4	72.13 x 30.13 x 24.13 (1832x765x613)	29.13 (740)	38.06 (967)	12.06 (306)	N/A	18.38 (467)	4
WRD723624FS4	72.13 x 36.13 x 24.13 (1832x918x613)	29.13 (740)	38.06 (967)	12.06 (306)	N/A	18.38 (467)	4
WRD903624FS4	90.13 x 36.13 x 24.13 (2289x918x613)	38.13 (968)	47.06 (1195)	12.06 (306)	N/A	18.28 (464)	5
WRD723630FS4	72.13 x 36.13 x 30.13 (1832x918x765)	29.13 (740)	38.06 (967)	4.06 (103)	22.00 (559)	18.38 (467)	4
WRD723636FS4	72.13 x 36.13 x 36.13 (1832x918x918)	29.13 (740)	38.06 (967)	4.06 (103)	28.00 (711)	18.38 (467)	4
WRD903636FS4	90.13 x 36.13 x 36.13 (2289x918x918)	38.13 (968)	47.06 (1195)	4.06 (103)	28.00 (711)	18.28 (464)	5

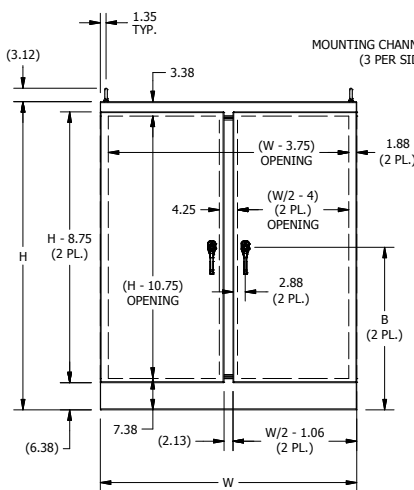


FREESTANDING ENCLOSURES

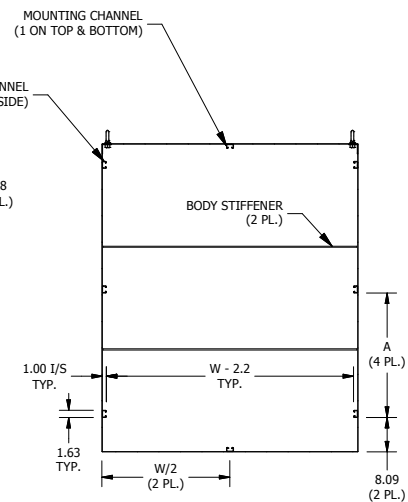
WRD-FSD4 Double Door



LEFT SIDE VIEW



FRONT VIEW



SECTION A-A
(INSIDE BACK OF ENCL.)

WRD-FSD4 DOUBLE DOOR, FREESTANDING, HEAVY-DUTY REMOVABLE HINGE ENCLOSURE

CATALOG NUMBER	ENCLOSURE SIZE H X W X D	A	B	F	G	J	NUMBER OF HINGES	K	L
WRD604818FSD4	60.13 x 48.13 x 18.13 (1527x1222x460)	23.13 (587)	32.06 (814)	9.06 (230)	N/A	21.56 (548)	3	19.88 (505)	20.03 (509)
WRD724818FSD4	72.13 x 48.13 x 18.13 (1832x1222x460)	29.13 (740)	38.06 (967)	9.06 (230)	N/A	18.38 (467)	4	23.88 (607)	24.03 (610)
WRD726018FSD4	72.13 x 60.13 x 18.13 (1832x1527x460)	29.13 (740)	38.06 (967)	9.06 (230)	N/A	18.38 (467)	4	23.88 (607)	24.03 (610)
WRD727218FSD4	72.13 x 72.13 x 18.13 (1832x1832x460)	29.13 (740)	38.06 (967)	9.06 (230)	N/A	18.38 (467)	4	23.88 (607)	24.03 (610)
WRD904820FSD4	90.13 x 48.13 x 20.13 (2289x1222x511)	38.13 (968)	47.06 (1195)	10.06 (256)	N/A	18.28 (464)	5	29.88 (759)	30.03 (763)
WRD907220FSD4	90.13 x 72.13 x 20.13 (2289x1832x511)	38.13 (968)	47.06 (1195)	10.06 (256)	N/A	18.28 (464)	5	29.88 (759)	30.03 (763)
WRD724824FSD4	72.13 x 48.13 x 24.13 (1832x1222x613)	29.13 (740)	38.06 (967)	12.06 (306)	N/A	18.38 (467)	4	23.88 (607)	24.03 (610)
WRD726024FSD4	72.13 x 60.13 x 24.13 (1832x1527x613)	29.13 (740)	38.06 (967)	12.06 (306)	N/A	18.38 (467)	4	23.88 (607)	24.03 (610)
WRD727224FSD4	72.13 x 72.13 x 24.13 (1832x1832x613)	29.13 (740)	38.06 (967)	12.06 (306)	N/A	18.38 (467)	4	23.88 (607)	24.03 (610)
WRD907224FSD4	90.13 x 72.13 x 24.13 (2289x1832x613)	38.13 (968)	47.06 (1195)	12.06 (306)	N/A	18.28 (464)	5	29.88 (759)	30.03 (763)
WRD726036FSD4	72.13 x 36.13 x 36.13 (1832x1527x918)	29.13 (740)	38.06 (967)	4.06 (103)	28.00 (711)	18.38 (467)	4	23.88 (607)	24.03 (610)
WRD907236FSD4	90.13 x 36.13 x 36.13 (2289x1832x918)	38.13 (968)	47.06 (1195)	4.06 (103)	28.00 (711)	18.28 (464)	5	29.88 (759)	30.03 (763)