



Your Favorite NEMA Enclosures without the Mounting Feet



SSN4242008LMF



N4242008LMF



N12202008LMF

Application:

Intended for use in housing electrical and electronic controls, instruments, components, and associated wiring. These enclosures incorporate hinged doors which provide convenient access.

Features:

- Continuously welded seams
- Rolled lip on three sides of door and all sides of enclosure
- Quick and easy to operate door clamps provided
- Doors are sealed with poured in place polyurethane gasket
- Hasp and Staple for Padlocking
- ANSI 61 Gray polyester powder painted carbon steel or 304 Stainless Steel options available
- 7/16" mounting holes on back panel of enclosure
- Sealing caps and washers included



Food & Beverage Processing, Washdown Areas, Corrosive Environments, Harsh Locations, Process, Automation, Waste Water Treatment, Oil/Gas Pharmaceutical, Mining, Coastal Installations





SSN4242008LMF



N4242008LMF

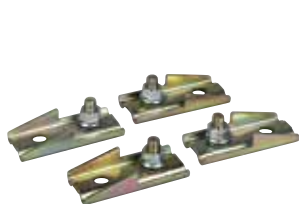


N12202008LMF

BACK PANEL CATALOG NUMBER

CATALOG NUMBER	ENCLOSURE SIZE H x W x D	WHITE	"G"	304SS	BACK PANEL SIZE A x B	# OF DOOR CLAMPS	MOUNTING FEET CATALOG NUMBER
N12 Series Single Door Enclosures - NEMA 12 & 13							
N12202008LMF	20.00x20.00x8.00 (508x508x203)	NP2020	NP2020G	NP2020SS	17.00x17.00 (432x432)	2	N412MFK
N12242408LMF	24.00x24.00x8.00 (610x610x203)	NP2424	NP2424G	NP2424SS	21.00x21.00 (533x533)	2	N412MFK
N4 Series Single Door Enclosures - NEMA 4, 12 & 13							
N4242008LMF	24.00x20.00x8.00 (610x508x203)	NP2420	NP2420G	NP2420SS	21.00x17.00 (533x432)	4	N412MFK
N4242408LMF	24.00x24.00x8.00 (610x610x203)	NP2424	NP2424G	NP2424SS	21.00x21.00 (533x533)	4	N412MFK
SSN4 Series Single Door Stainless Enclosures- NEMA 4, 4X, 12 & 13							
SSN4242008LMF	24.00x20.00x8.00 (610x508x203)	NP2420	NP2420G	NP2420SS	21.00x17.00 (533x432)	4	N412MFKSS
SSN4242408LMF	24.00x24.00x8.00 (610x610x203)	NP2424	NP2424G	NP2424SS	21.00x21.00 (533x533)	4	N412MFKSS

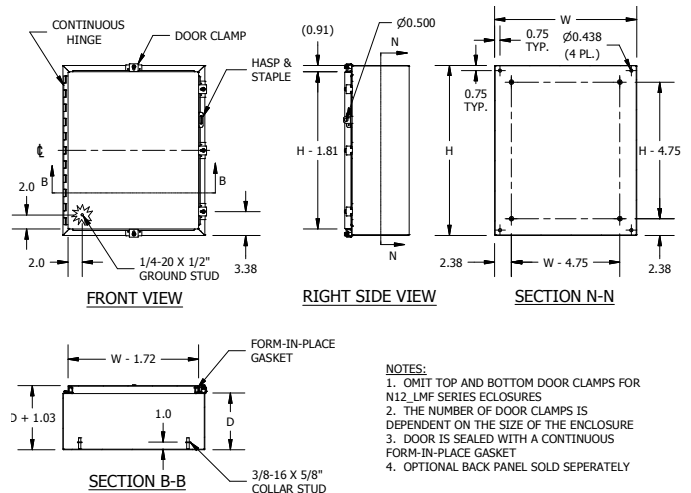
CATALOG NUMBER	DESCRIPTION
MOUNTING FEET KITS (CONTAINS 4 FEET AND SEALING WASHERS)	
N412MFK	For Carbon Steel Enclosures
N412MFKSS	For Stainless Steel Enclosures



MOUNTING FEET
(optional, not included)



Mounting holes pre-punched on the back of the enclosure for mounting directly to strut or installing optional mounting feet.



- NOTES:**
1. OMIT TOP AND BOTTOM DOOR CLAMPS FOR N12_LMF SERIES ENCLOSURES
 2. THE NUMBER OF DOOR CLAMPS IS DEPENDENT ON THE SIZE OF THE ENCLOSURE
 3. DOOR IS SEALED WITH A CONTINUOUS FORM-IN-PLACE GASKET
 4. OPTIONAL BACK PANEL SOLD SEPARATELY

501 West Apple Street • Freeburg, IL 62243
Phone: (618) 539-3193 • Fax: (618) 539-5794
www.hubbell-wiegmann.com

Food & Beverage Processing, Washdown Areas, Corrosive Environments, Harsh Locations, Process, Automation, Waste Water Treatment, Oil/Gas Pharmaceutical, Mining, Coastal Installations

