

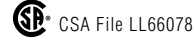
**RSC SERIES ENCLOSURES  
NEMA 3R SCREW-COVER WALL-MOUNT**



**RSC060604**

**Industry Standards**

UL 50, Type 1 & 3R  
CSA Certified, Type 1 & 3R  
NEMA/EEMAC Type 1 & 3R



**FEATURES-SPECIFICATIONS**

**Applications**

Designed for use as wiring boxes and junction boxes. Provides protection in outdoor applications against rain, sleet, and snow, or indoors against dripping water.

**Construction**

- Bodies and doors are fabricated from carbon steel or pre-galvanized steel

- Knockouts are standard on the bottom of 4.00" and 6.00" deep enclosures (reference table)
- A slip-on reversible cover is securely fastened with screws located along the bottom edge
- No gasketing is required
- Hasp for padlocking or meter seal is provided

**Finish**

- ANSI-61 gray polyester powder inside and out
- Unpainted pre-galvanized steel
- **Also available in stainless steel see page E2**

**Accessories**

- See pages L1-L24

‡ No hasp or meter seal.

Notes: For removal of cover, move downward, then outward.  
4.00x6.00x4.00 only has 2 mounting holes centered vertically.

**RSC SERIES SCREW-COVER ENCLOSURES**

With Knockouts		Without Knockouts		Enclosure Size HxWxD
Painted	Galvanized	Painted	Galvanized	
RSC040404‡	RSC040404G‡	RSC040404NK‡	RSC040404GNK‡	4.13x4.13x4.18 (105x105x107)
RSC040604‡	RSC040604G‡	RSC040604NK‡	RSC040604GNK‡	6.13x4.13x4.18 (156x105x107)
RSC060604	RSC060604G	RSC060604NK	RSC060604GNK	6.13x6.13x4.18 (156x156x107)
RSC060804	RSC060804G	RSC060804NK	RSC060804GNK	8.13x6.13x4.18 (207x156x107)
RSC080804	RSC080804G	RSC080804NK	RSC080804GNK	8.13x8.13x4.18 (207x207x107)
RSC081004	RSC081004G	RSC081004NK	RSC081004GNK	10.13x8.13x4.18 (258x207x107)
RSC101004	RSC101004G	RSC101004NK	RSC101004GNK	10.13x10.13x4.18 (258x258x107)
RSC101204	RSC101204G	RSC101204NK	RSC101204GNK	12.13x10.13x4.18 (309x258x107)
RSC121204	RSC121204G	RSC121204NK	RSC121204GNK	12.13x12.13x4.18 (309x309x107)
RSC121504	RSC121504G	RSC121504NK	RSC121504GNK	15.13x12.13x4.18 (385x309x107)
RSC181804	RSC181804G	RSC181804NK	RSC181804GNK	18.13x18.13x4.18 (461x461x107)
RSC060606	RSC060606G	RSC060606NK	RSC060606GNK	6.13x6.13x6.18 (156x156x157)
RSC060806	RSC060806G	RSC060806NK	RSC060806GNK	8.13x6.13x6.18 (207x156x157)
RSC080806	RSC080806G	RSC080806NK	RSC080806GNK	8.13x8.13x6.18 (207x207x157)
RSC081006	RSC081006G	RSC081006NK	RSC081006GNK	10.13x8.13x6.18 (258x207x157)
RSC081206	RSC081206G	RSC081206NK	RSC081206GNK	12.13x8.13x6.18 (309x207x157)
RSC101006	RSC101006G	RSC101006NK	RSC101006GNK	10.13x10.13x6.18 (258x258x157)
RSC101206	RSC101206G	RSC101206NK	RSC101206GNK	12.13x10.13x6.18 (309x258x157)
RSC121206	RSC121206G	RSC121206NK	RSC121206GNK	12.13x12.13x6.18 (309x309x157)
RSC121506	RSC121506G	RSC121506NK	RSC121506GNK	15.13x12.13x6.18 (385x309x157)
RSC121806	RSC121806G	RSC121806NK	RSC121806GNK	18.13x12.13x6.18 (461x309x157)

continued on page B3

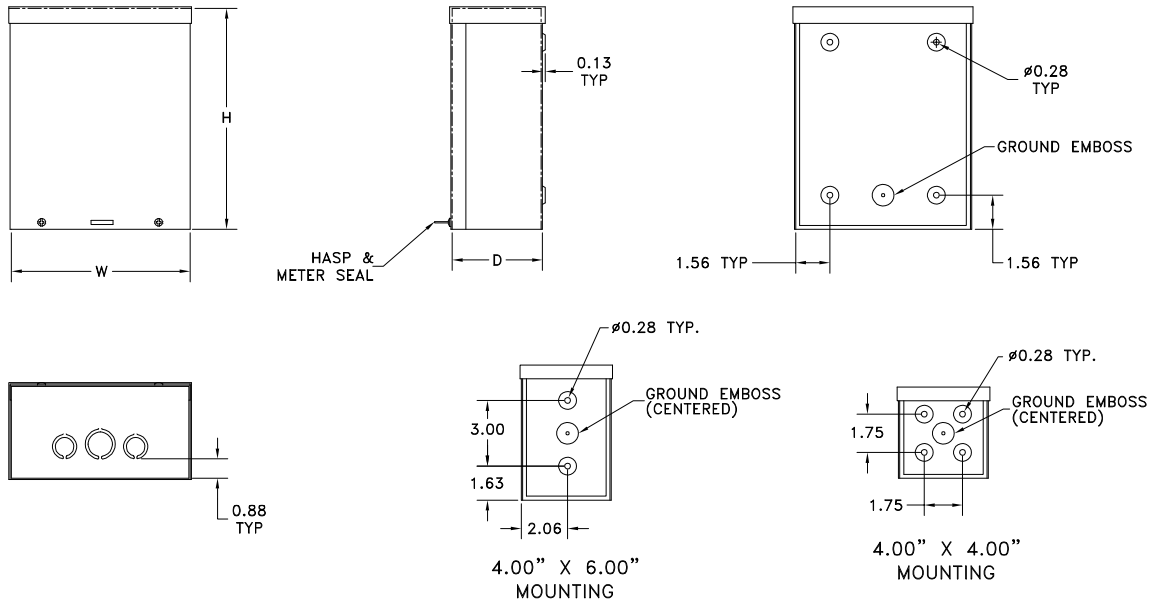
**RSC SERIES ENCLOSURES  
NEMA 3R SCREW-COVER WALL-MOUNT**

**B3**

**RSC SERIES SCREW-COVER ENCLOSURES CONT.**

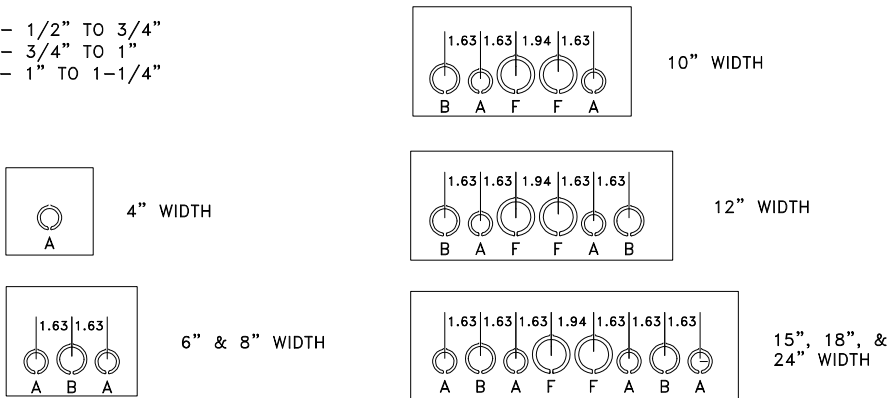
With Knockouts		Without Knockouts		Enclosure Size HxWxD
Painted	Galvanized	Painted	Galvanized	
RSC151806	RSC151806G	RSC151806NK	RSC151806GNK	18.13x15.13x6.18 (461x385x157)
—	—	RSC161606NK	RSC161606GNK	16.13x16.13x6.07 (407x410x155)
RSC181806	RSC181806G	RSC181806NK	RSC181806GNK	18.13x18.13x6.18 (461x461x157)
RSC182406	RSC182406G	RSC182406NK	RSC182406GNK	24.13x18.13x6.18 (613x461x157)
RSC242406	RSC242406G	RSC242406NK	RSC242406GNK	24.13x24.13x6.18 (613x613x157)
—	—	RSC080808NK	—	8.13x8.13x8.07 (204x207x205)
—	—	RSC121208NK	RSC121208GNK	12.13x12.13x8.07 (305x309x205)
—	—	RSC121808NK	RSC121808GNK	18.13x12.13x8.07 (458x309x205)
—	—	RSC151808NK	RSC151808GNK	18.13x15.13x8.07 (458x385x205)
—	—	RSC181808NK	RSC181808GNK	18.13x18.13x8.07 (458x461x205)
—	—	RSC182408NK	RSC182408GNK	20.13x18.13x8.07 (508x461x205)
—	—	RSC202408NK	RSC202408GNK	24.13x20.13x8.07 (610x512x205)
—	—	RSC242408NK	RSC242408GNK	24.13x24.13x8.07 (610x613x205)
—	—	RSC243008NK	RSC243008GNK	30.13x24.13x8.07 (762x613x205)
—	—	RSC303008NK	—	30.13x30.19x8.07 (762x767x205)
—	—	RSC363608NK	RSC363608GNK	36.13x36.19x8.07 (915x920x205)
—	—	RSC121210NK	RSC121210GNK	12.13x12.13x10.07 (305x309x256)
—	—	RSC161610NK	RSC161610GNK	16.13x16.13x10.07 (407x410x256)
—	—	RSC181810NK	—	18.13x18.13x10.07 (458x461x256)
—	—	RSC242410NK	RSC242410GNK	24.13x24.13x10.07 (610x613x256)
—	—	RSC303010NK	—	31.30x30.19x10.07 (762x767x254)
—	—	RSC303610NK	—	36.13x30.19x10.07 (915x767x254)
—	—	RSC363610NK	RSC363610GNK	36.13x36.19x10.07 (915x920x254)
—	—	RSC121212NK	—	12.13x12.13x12.07 (305x309x307)
—	—	RSC181812NK	—	18.13x18.13x12.07 (458x461x307)
—	—	RSC242412NK	RSC242412GNK	24.13x24.13x12.07 (610x613x307)
—	—	RSC243612NK	RSC243612GNK	36.13x24.19x12.07 (915x615x305)
—	—	RSC303012NK	RSC303012GNK	30.13x30.19x12.07 (762x767x305)
—	—	RSC303612NK	RSC303612GNK	36.13x30.19x12.07 (915x767x305)
—	—	RSC363612NK	RSC363612GNK	36.13x36.19x12.07 (915x920x305)
—	—	RSC484812NK	RSC484812GNK	48.13x48.19x12.07 (1220x1225x305)
—	—	RSC242416NK	RSC242416GNK	24.13x24.13x16.07 (610x613x409)
—	—	RSC303016NK	RSC303016GNK	30.13x30.19x16.07 (762x767x407)
—	—	RSC363616NK	RSC363616GNK	36.13x36.19x16.07 (915x920x407)
—	—	RSC364816NK	RSC364816GNK	48.13x36.19x16.07 (1220x920x407)
—	—	RSC363618NK	RSC363618GNK	36.13x36.19x18.07 (915x920x458)

*continued on page B4*



**Knockout Patterns**

- A -- 1/2" TO 3/4"
- B -- 3/4" TO 1"
- F -- 1" TO 1-1/4"



**RHC SERIES ENCLOSURES**  
**“SMALL” NEMA 3R HINGED-COVER WALL-MOUNT**



RHC060604

**Industry Standards**

UL 50, Type 1 & 3R  
 CSA Certified, Type 1 & 3R  
 NEMA/EEMAC Type 1 & 3R

 UL File E6924

 CSA File LL66078

**FEATURES-SPECIFICATIONS**

**Applications**

Designed for use as wiring boxes and junction boxes. Provides protection in outdoor installations against rain, sleet, and snow, or indoors against dripping water.

**Construction**

- Bodies and doors are fabricated from carbon steel
- Continuous hinge with a stainless steel pin
- Lid is secured with a padlockable draw latch

- Weldnuts are provided for mounting **optional** back panels
- External mounting plates on the top and bottom of the enclosure
- Knockouts on the bottom of the enclosure
- Grounding provisions are provided

**Finish**

- ANSI-61 gray polyester powder inside and out
- **Optional** back panels are painted with a white polyester powder

- **Optional** perforated panels are painted with a white polyester powder
- **Optional** “G” back panels are pre-galvanized steel

**Accessories**

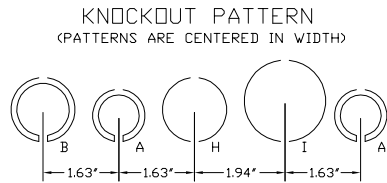
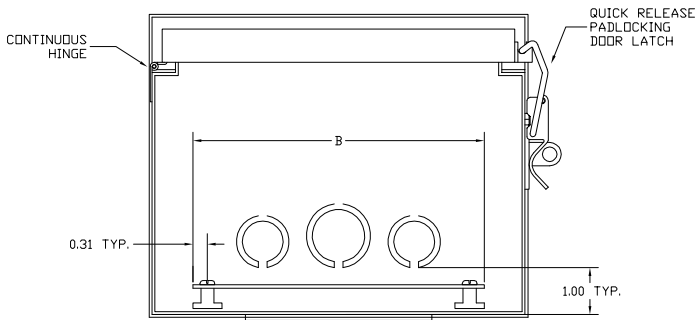
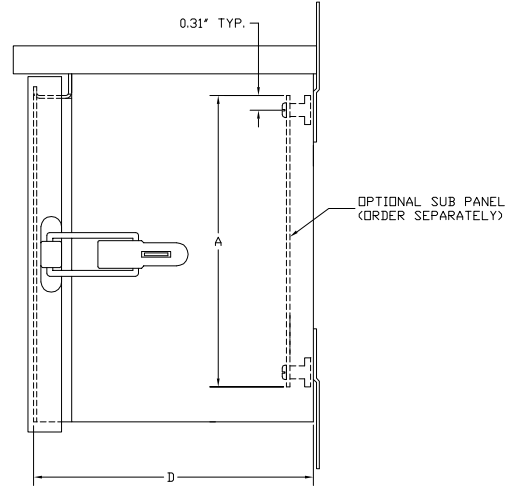
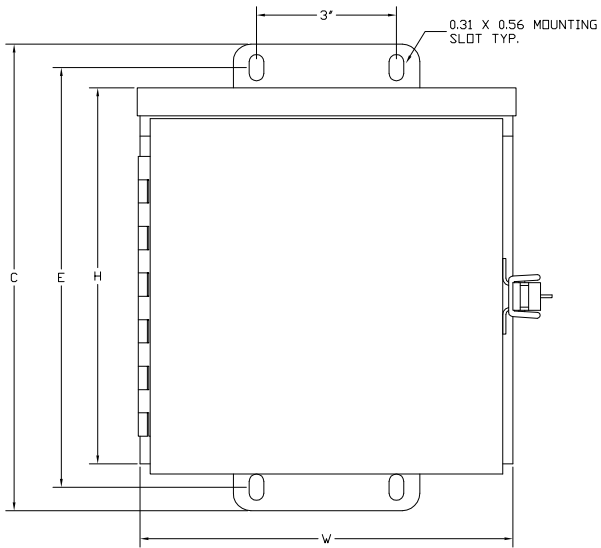
- Back panels (reference table)
- See pages L1-L24

**“SMALL” RHC SERIES HINGED-COVER ENCLOSURES**

Catalog Number	Enclosure Size HxWxD	Knockout Pattern	Back Panel Catalog Number*			Back Panel Size A x B	C	E
			White	“G”	Perforated			
RHC060604	6.06x6.00x4.13 (154x152x105)	A-B-A	N1P0606	N1P0606G	N1P0606PP	4.25x4.25 (108x108)	8.00 (203)	7.00 (178)
RHC060804	8.06x6.00x4.13 (205x152x105)	A-B-A	N1P0608	N1P0608G	N1P0608PP	6.25x4.25 (159x108)	10.00 (254)	9.00 (229)
RHC080804	8.06x8.00x4.13 (205x203x105)	A-B-A	N1P0808	N1P0808G	N1P0808PP	6.25x6.25 (159x159)	10.00 (254)	9.00 (229)
RHC080806	8.06x8.00x6.13 (205x203x156)	A-B-A	N1P0808	N1P0808G	N1P0808PP	6.25x6.25 (159x159)	10.00 (254)	9.00 (229)
RHC081006	10.06x8.00x6.13 (256x203x156)	A-B-A	N1P0810	N1P0810G	N1P0810PP	8.25x6.25 (210x159)	12.00 (305)	11.00 (279)
RHC101206	12.06x10.00x6.13 (306x254x156)	A-B-A	N1P1012	N1P1012G	N1P1012PP	10.25x8.25 (260x210)	14.00 (356)	13.00 (330)
RHC121206	12.06x12.00x6.13 (306x305x156)	B-A-H-I-A	N1P1212	N1P1212G	N1P1212PP	10.25x10.25 (260x260)	14.00 (356)	13.00 (330)

\* Back panels must be ordered separately.

**RHC SERIES ENCLOSURES**  
**"SMALL" NEMA 3R HINGED-COVER WALL-MOUNT**



- B = 3/4" X 1" CONCENTRIC KO
- A = 1/2" X 3/4" CONCENTRIC KO
- H = 1" SOLID KO
- I = 1-1/4" SOLID KO



RHC161206

**Industry Standards**

UL 508, Type 1 & 3R  
 CSA Certified, Type 1 & 3R  
 NEMA/EEMAC Type 1 & 3R



UL File E6924



CSA File LL66078

**FEATURES-SPECIFICATIONS**

**Applications**

Designed for use as wiring boxes and junction boxes. Provides protection in outdoor installations against rain, sleet, and snow, or indoors against dripping water.

**Construction**

- Bodies and doors are fabricated from carbon steel
- Continuous hinge with a stainless steel pin
- No knockouts

- Collar studs for mounting optional back panels are provided
- External mounting plates on the top and bottom of the enclosure
- Foldaway hasp and staple are provided for padlocking
- 1/4-turn semi-flush latches are supplied to hold door securely closed

**Finish**

- ANSI-61 gray polyester powder inside and out

- Optional back panels are painted with a white polyester powder
- Optional perforated panels are painted with a white polyester powder

**Accessories**

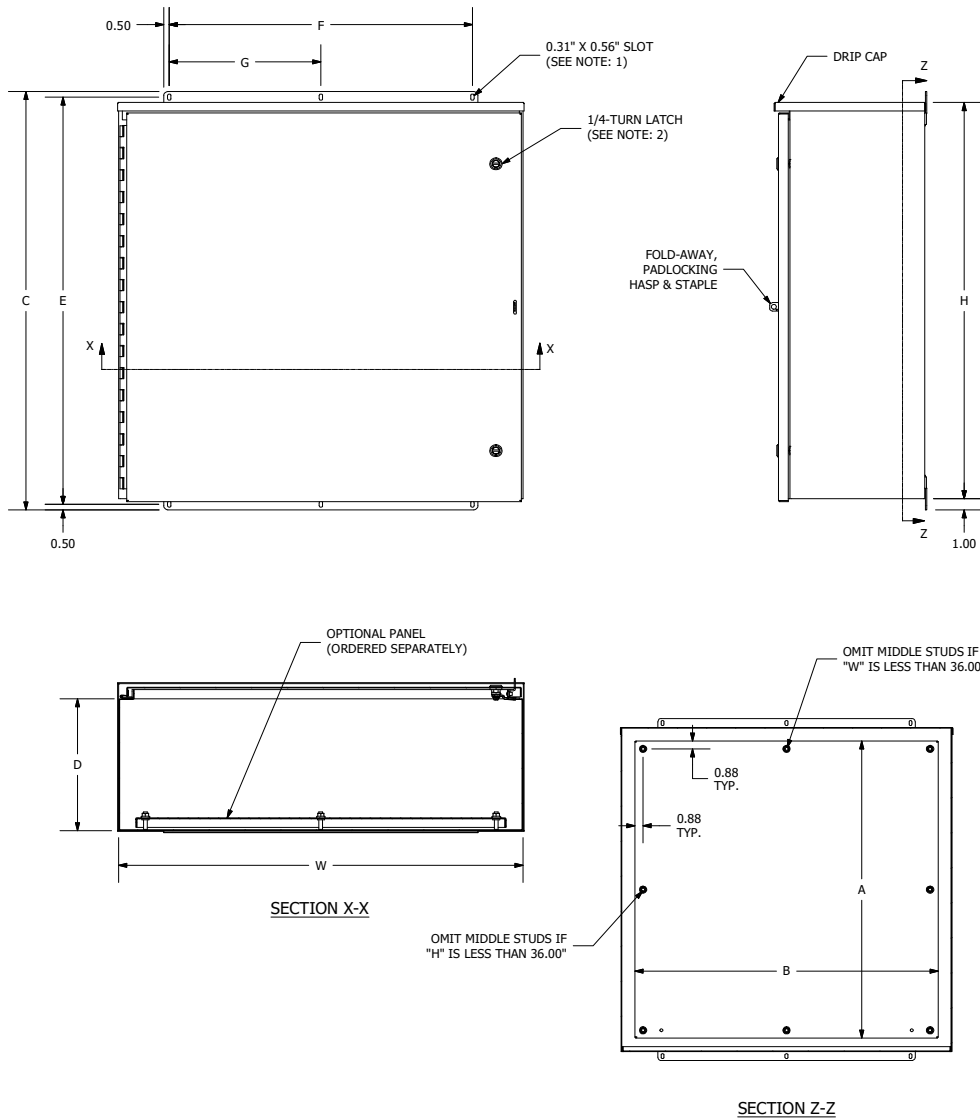
- Back panels (reference table)
- See pages L1-L24

**“MEDIUM” RHC SERIES HINGED-COVER ENCLOSURES**

Catalog Number	Enclosure Size HxWxD	Back Panel Catalog Number*						
		White	Perforated	Back Panel Size A x B	C	E	F	G
RHC161206	16.00x12.00x6.00 (406x305x152)	NP1612	NP1612PP	13.00x9.00 (330x229)	18.00 (457)	17.00 (432)	5.00 (127)	—
RHC161606	16.00x16.00x6.00 (406x406x152)	NP1616	NP1616PP	13.00x13.00 (330x330)	18.00 (457)	17.00 (432)	9.00 (229)	—
RHC201606	20.00x16.00x6.00 (508x406x152)	NP2016	NP2016PP	17.00x13.00 (432x330)	22.00 (559)	21.00 (533)	9.00 (229)	—
RHC202008	20.00x20.00x8.00 (508x508x203)	NP2020	NP2020PP	17.00x17.00 (432x432)	22.00 (559)	21.00 (533)	13.00 (330)	—
RHC242008	24.00x20.00x8.00 (610x508x203)	NP2420	NP2420PP	21.00x17.00 (533x432)	26.00(660)	25.00 (635)	13.00 (330)	—
RHC242408	24.00x24.00x8.00 (610x610x203)	NP2424	NP2424PP	21.00x21.00 (533x533)	26.00 (660)	25.00 (635)	17.00 (432)	—
RHC302408	30.00x24.00x8.00 (762x610x203)	NP3024	NP3024PP	27.00x21.00 (686x533)	32.00 (813)	31.00 (787)	17.00 (432)	—
RHC303012	30.00x30.00x12.00 (762x762x305)	NP3030	NP3030PP	27.00x27.00 (686x686)	32.00 (813)	31.00 (787)	27.00 (686)	13.50 (343)
RHC362412	36.00x24.00x12.00 (914x610x305)	NP3624	NP3624PP	33.00x21.00 (838x533)	38.00 (965)	37.00 (940)	17.00 (432)	—
RHC363012	36.00x30.00x12.00 (914x762x305)	NP3630	NP3630PP	33.00x27.00 (838x686)	38.00 (965)	37.00 (940)	27.00 (686)	13.50 (343)
RHC363612	36.00x36.00x12.00 (914x914x305)	NP3636	NP3636PP	33.00x33.00 (838x838)	38.00 (965)	37.00 (940)	27.00 (686)	13.50 (343)
RHC423012	42.00x30.00x12.00 (1067x762x305)	NP4230	—	39.00x27.00 (991x686)	44.00 (1118)	43.00 (1092)	27.00 (686)	13.50 (343)
RHC423612	42.00x36.00x12.00 (1067x914x305)	NP4236	—	39.00x33.00 (991x838)	44.00 (1118)	43.00 (1092)	27.00 (686)	13.50 (343)
RHC483612	48.00x36.00x12.00 (1219x914x305)	NP4836	—	45.00x33.00 (1143x838)	50.00 (1270)	49.00 (1245)	27.00 (686)	13.50 (343)
RHC603612	60.00x36.00x12.00 (1524x914x305)	NP6036	—	57.00x33.00 (1448x838)	62.00 (1575)	61.00 (1549)	27.00 (686)	13.50 (343)
RHC303016	30.00x30.00x16.00 (762x762x406)	NP3030	NP3030PP	27.00x27.00 (686x686)	32.00 (813)	31.00 (787)	27.00 (686)	13.50 (343)
RHC483616	48.00x36.00x16.00 (1219x914x406)	NP4836	NP4836PP	45.00x33.00 (991x838)	50.00 (1270)	49.00 (1245)	27.00 (686)	13.50 (343)

\* Back panels must be ordered separately.

**RHC SERIES ENCLOSURES**  
**"MEDIUM" NEMA 3R HINGED-COVER WALL-MOUNT**



- NOTES:**
1. RHC303012 & LARGER HAVE 0.38" X 0.63" MOUNTING SLOTS.
  2. (1) 1/4-TURN LATCH IS PROVIDED WHEN "H" IS LESS THAN 30.00".  
 (2) 1/4-TURN LATCHES ARE PROVIDED WHEN "H" IS 30.00" OR GREATER.



**LOH121206**

**Industry Standards**

UL 50, Type 1 & 3R  
CSA Certified, Type 1 & 3R  
NEMA/EEMAC Type 1 & 3R

 UL File E6924

 CSA File LL66078

**FEATURES-SPECIFICATIONS**

**Applications**

Designed for use as wiring boxes and junction boxes. Provides protection in outdoor installations against rain, sleet, and snow, or indoors against dripping water.

**Construction**

- Bodies and doors are fabricated from carbon steel
- Integrated drip cap
- Door is hinged on the left side with lift-off hinges

- No knockouts
- Mounting holes on the back of the enclosure
- Doors are securely fastened with a padlockable draw latch
- Grounding provisions are provided

**Finish**

- ANSI-61 gray polyester powder inside and out
- **Optional** back panels are painted with a white polyester powder

**Accessories**

- Mounting Foot Kit and Panel Mounting Kit (see page B10)
- Back panels (reference table)
- See pages L1-L24

**LOH SERIES HINGED-COVER ENCLOSURES**

Catalog Number	Enclosure Size HxWxD	Back Panel Catalog Number*	Back Panel Size A x B	C	E	F	G	H	I	J
LOH080604**	8.00x6.00x4.00 (203x152x102)	P0606	4.88x4.88 (124x124)	10.13 (257)	9.13 (232)	4.00 (102)	2.25 (57)	0.31 (8)	1.56 (40)	0.56 (14)
LOH080804**	8.00x8.00x6.00 (203x203x152)	P0806	6.88x4.88 (175x124)	10.13 (257)	9.13 (232)	4.00 (102)	2.25 (57)	0.31 (8)	1.56 (40)	0.56 (14)
LOH080806**	8.00x8.00x6.00 (203x203x152)	P0806	6.88x4.88 (175x124)	10.13 (257)	9.13 (232)	4.00 (102)	2.25 (57)	0.31 (8)	1.56 (40)	0.56 (14)
LOH100806	10.00x8.00x6.00 (254x203x152)	P0808	6.88x6.88 (175x175)	12.13 (308)	11.13 (283)	4.00 (102)	2.25 (57)	0.31 (8)	1.56 (40)	0.56 (14)
LOH121006	12.00x10.00x6.00 (305x254x152)	P1010	8.88x8.88 (226x226)	14.13 (359)	13.13 (334)	4.00 (102)	2.25 (57)	0.31 (8)	1.56 (40)	0.56 (14)
LOH121206	12.00x12.00x6.00 (305x305x152)	P1210	10.88x8.88 (276x226)	14.13 (359)	13.13 (334)	4.00 (102)	2.25 (57)	0.31 (8)	1.56 (40)	1.56 (40)
LOH141206	14.00x12.00x6.00 (355x305x152)	P1212	10.88x10.88 (276x276)	16.13 (409)	15.13 (384)	4.00 (102)	2.25 (57)	0.31 (8)	1.56 (40)	0.56 (14)
LOH161206	16.00x12.00x6.00 (406x305x152)	P1412	12.88x10.88 (327x175)	18.13 (461)	17.13 (435)	4.00 (102)	2.25 (57)	0.31 (8)	1.56 (40)	0.56 (14)
LOH161606	16.00x16.00x6.00 (406x406x152)	NP1616	13.00x13.00 (330x330)	18.13 (461)	17.19 (437)	13.00 (330)	13.00 (330)	0.88 (22)	1.50 (38)	1.50 (38)
LOH181806	18.00x18.00x6.00 (457x457x152)	NP1818	13.88x13.88 (352x352)	20.13 (511)	19.13 (485)	13.00 (330)	13.00 (330)	0.88 (22)	1.50 (38)	1.50 (38)
LOH201606	20.00x16.00x6.00 (508x406x152)	NP2016	17.00x13.00 (432x330)	22.19 (564)	21.19 (538)	13.00 (330)	13.00 (330)	0.88 (22)	1.50 (38)	1.50 (38)
LOH202008	20.00x20.00x8.00 (508x508x203)	NP2020	17.00x17.00 (432x432)	22.19 (564)	21.19 (538)	13.00 (330)	13.00 (330)	0.88 (22)	1.50 (38)	1.50 (38)
LOH242008	24.00x20.00x8.00 (610x508x203)	NP2420	21.00x17.00 (533x432)	26.19 (665)	25.19 (640)	13.00 (330)	13.00 (330)	0.88 (22)	1.50 (38)	1.50 (38)
LOH242408	24.00x24.00x8.00 (610x610x203)	NP2424	21.00x21.00 (533x533)	26.19 (665)	25.19 (640)	13.00 (330)	13.00 (330)	0.88 (22)	1.50 (38)	1.50 (38)
LOH302408	30.00x24.00x8.00 (762x610x203)	NP3024	27.00x21.00 (686x533)	32.19 (818)	21.19 (538)	13.00 (330)	13.00 (330)	0.88 (22)	1.50 (38)	1.50 (38)

\*Back panels must be ordered separately. When installing a back panel, a panel mounting kit is required. See page B10.

\*\* Enclosure has one latch only.

Note: If mounting feet are required, See page B10 for options.

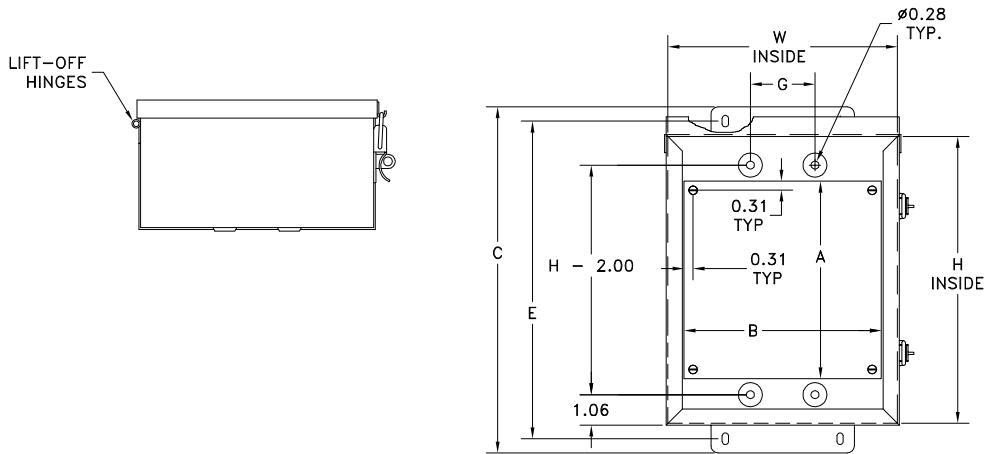
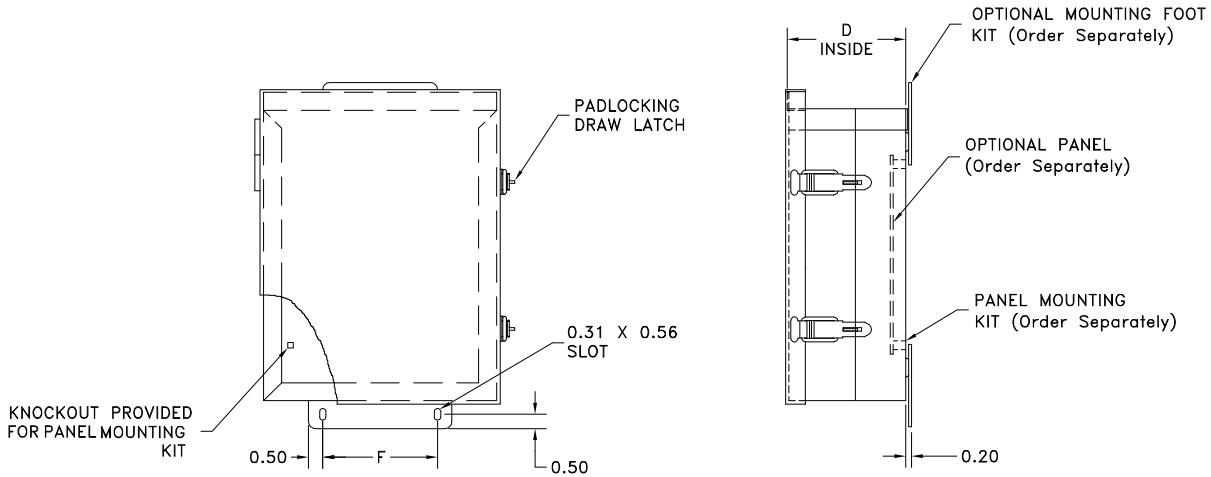


### PANEL MOUNTING KIT

Catalog Number	Description
WAPMK3RL016	Panel Mounting Kit for Enclosures 16x12x6 and smaller
WAPMK3RL014	Panel Mounting Kit for Enclosures 16x16x6 and larger

### MOUNTING FOOT KIT (OPTIONAL)

Catalog Number	Description	Overall Width of Foot	Hole Spacing
WAMFK3RL016	Mounting Foot Kit for Enclosures 16x12x6 and smaller	5.00 (127)	4.00 (102)
WAMFK3RL014	Mounting Foot Kit for Enclosures 16x16x6 and larger	14.00 (356)	13.00 (330)



View With Cover Removed  
& Panel Installed




**WCT242412**

**Industry Standards**

UL 50, Type 1 & 3R  
CSA Certified, Type 1 & 3R  
NEMA/EEMAC Type 1 & 3R

 UL File E23553

 CSA File LL66078

**FEATURES-SPECIFICATIONS**

**Applications**

Designed for use as transformer housing, junction boxes, and service boxes.

**Construction**

- A slip-on removable cover is securely fastened with plated screws located along the bottom edge of the enclosure

- No gasketing is required
- Mounting holes on the back of the enclosure
- Door handles are provided
- Hasp for padlocking and provisions for meter seal are provided
- For removal of cover, move downward, then outward

**Finish**

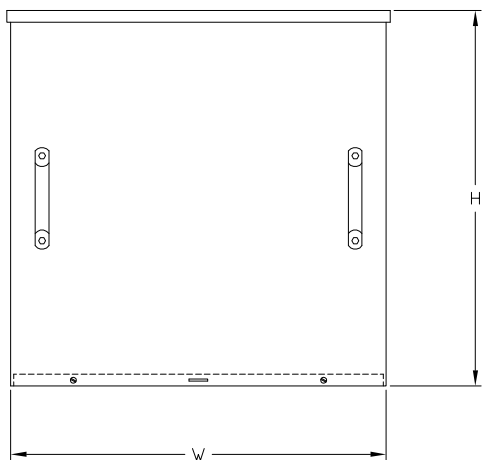
- ANSI-61 gray polyester powder inside and out

**Accessories**

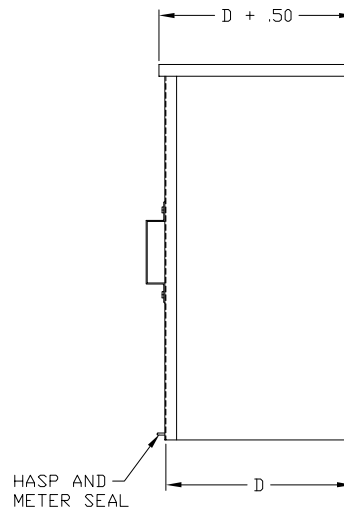
- See pages L1-L24

**WCT SERIES SCREW-COVER ENCLOSURES**

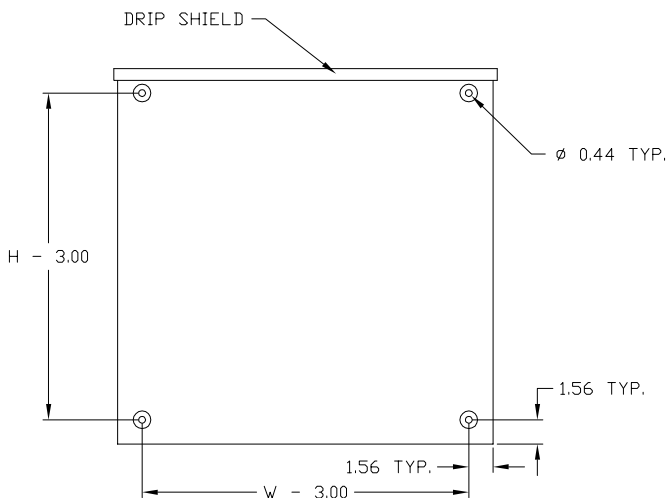
Catalog Number	Enclosure Size HxWxD
WCT242412	24.00x24.00x12.00 (610x610x305)
WCT303012	30.00x30.00x12.00 (762x762x305)
WCT363012	36.00x30.00x12.00 (914x762x305)
WCT363612	36.00x36.00x12.00 (914x914x305)
WCT483616	48.00x36.00x16.00 (1220x914x406)



FRONT VIEW



RIGHT SIDE



REAR VIEW



**CTSD242412**

**Industry Standards**  
UL Listed Type 3R

 UL File E23553

 CSA File LL66078

**FEATURES-SPECIFICATIONS**

**Application**

Designed as a housing for current and voltage transformers, recorders, meters, junction box, service box, relay and/or for terminal instrumentation.

**Construction**

- Bodies and doors are fabricated from carbon steel

- Seams are continuously welded and ground smooth, weep hole included
- Drip shield
- Lift-off hinges, gasketed doors
- Supplied with non-locking quarter turn latch
- Meter seal provisions are provided

- Mounting holes on the back of the enclosure
- Supplied with studs in the back of the enclosure to support **optional** wood back panel

**Finish**

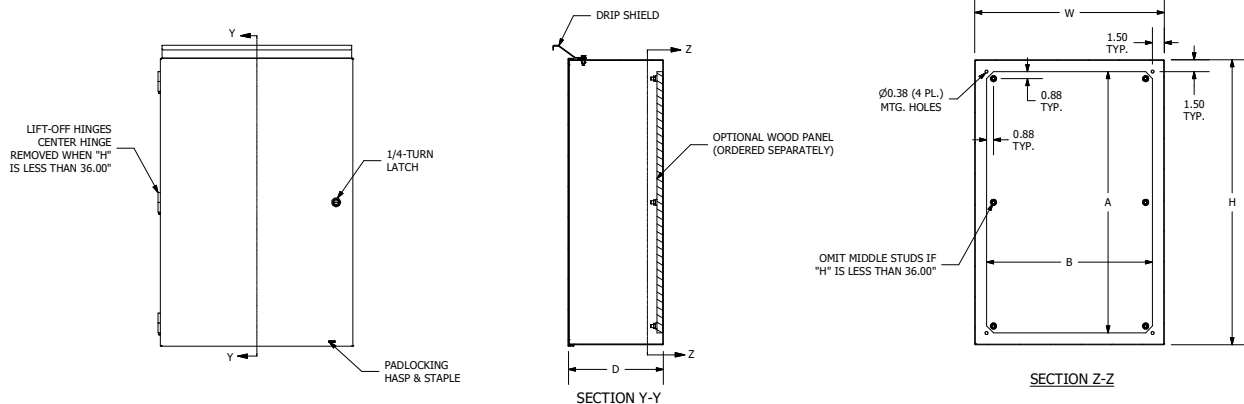
- ANSI 61 polyester powder inside and out

**CT SERIES SINGLE DOOR HINGED-COVER ENCLOSURES**

Catalog Number	Enclosure Size HxWxD	Back Panel Catalog Number	Back Panel Size AxB
CTSD121810	18.00x12.00x10.00 (457x305x254)	WBP1812	15x9
CTSD202010	20.00x20.00x10.00 (508x508x254)	WBP2020	17x17
CTSD182410	24.00x18.00x10.00 (610x457x254)	WBP2418	21x15
CTSD202412	24.00x20.00x12.00 (610x508x305)	WBP2420	21x17
CTSD242412	24.00x24.00x12.00 (610x610x305)	WBP2424	21x21
CTSD243012	30.00x24.00x12.00 (762x610x305)	WBP3024	27x21
CTSD243612	36.00x24.00x12.00 (914x610x305)	WBP3624	33x21
CTSD303612	36.00x30.00x12.00 (914x762x305)	WBP3630	33x27

NOTE: Second numerical value of catalog # represents height.

\* Back panels must be ordered separately.



## CT SERIES ENCLOSURES NEMA 3R DOUBLE DOOR HINGED-COVER



CTDD363612

### Industry Standards UL Listed Type 3R

UL File E23553

CSA File LL66078

### FEATURES-SPECIFICATIONS

#### Applications

Designed as a housing for current and voltage transformers, recorders, meters, junction, service box, relay and/or for terminal instrumentation.

#### Construction

- Bodies and doors are fabricated from carbon steel

- Seams are continuously welded and ground smooth, weep hole included
- Drip shield
- Lift-off hinges, gasketed doors
- Supplied with non-locking "T" handle
- Meter seal provisions are provided

- Mounting holes on the back of the enclosure
- Supplied with studs in the back of the enclosure to support **optional** wood back panel

#### Finish

- ANSI 61 polyester powder inside and out

#### CT SERIES DOUBLE DOOR HINGED-COVER ENCLOSURES

Catalog Number	Enclosure Size HxWxD	Back Panel Catalog Number*	Back Panel Size AxB
CTDD302410	24.00x30.00x10.00 (610x762x254)	WBP3024	21x27
CTDD303012	30.00x30.00x12.00 (762x762x254)	WBP3030DD	27x27
CTDD303612	36.00x30.00x12.00 (914x762x254)	WBP3630	33x27
CTDD362412	24.00x36.00x12.00 (610x914x254)	WBP3624	21x33
CTDD363012	30.00x36.00x12.00 (762x914x254)	WBP3630	27x33
CTDD363212	32.00x36.00x12.00 (813x914x254)	WBP3236DD	29x33
CTDD363612	36.00x36.00x12.00 (914x914x254)	WBP3636DD	33x33
CTDD363616	36.00x36.00x16.00 (914x914x406)	WBP3636DD	33x33
CTDD443012	30.00x44.00x12.00 (762x1118x305)	WBP3044DD	27x41
CTDD424212	42.00x42.00x12.00 (1067x1067x305)	WBP4242DD	39x39
CTDD484812	48.00x48.00x12.00 (1219x1219x406)	WBP4848DD	45x45
CTDD484816	48.00x48.00x16.00 (1219x1219x406)	WBP4848DD	45x45

NOTE: Second numerical value of catalog # represents height.

\* Back panels must be ordered separately.

