

SECTION K

Table of Contents



inREACH™ Industrial and Industrial Weatherproof Cord Reels



Commercial and Lighted Cord Reels



Air/Water Hose Reels and Static Discharge Reels



Product	Page
inREACH™ Industrial & Industrial Weatherproof Cord Reels	
Features and Benefits	K-2
inREACH™ Industrial Cord Reels	K-2
Industrial Cord Reels Connector Ends	K-3
inREACH™ Industrial Weatherproof Cord Reels	K-4
Heavy Duty Industrial Weatherproof Reels	K-5

Product	Page
Stainless Steel Cord Reels	K-6
Industrial and Commercial Lighted Cord Reels	K-6
Commercial Cord Reels	K-7
Air/Water Hose Reels and Static Discharge Reels	K-8

inREACH™ Industrial and Industrial Weatherproof Cord Reels

Hubbell's newly redesigned inREACH™ Industrial and Industrial Weatherproof Cord Reels improve existing user safety and maximize efficiency by managing cord and power in a safe and organized manner, while also meeting the most demanding industrial environments needs for years with little to no maintenance.

inREACH™ Industrial and Industrial Weatherproof Cord Reels are listed to UL 355 and CSA, C22.2 No. 308 with a durable, lightweight low profile cast aluminum construction. inREACH™ Reels also feature a newly designed mounting plate that allows for a quick easy installation on any surface.

inREACH™ *No matter what your need, Hubbell will always be inREACH™!*

inREACH™ Industrial and Industrial Weatherproof Cord Reels

- » Durable, corrosion resistant cast aluminum construction
- » Yellow or white powder coat finish
- » Multi-position guide arm can be mounted in two positions
- » Positive latch mechanism automatically maintains desired cord length
- » Ratchet lock can be disengaged in field for constant tension applications
- » 16–10 AWG, 3 & 4 conductor cord for greater current carrying capacity
- » Available in 25ft, 35ft and 45ft lengths



HBLI45163



HBLI45123



HBLI45103Y

inREACH™ Industrial Cord Reels

Description	Amps	Volts AC	Cable Length Feet (m)	Cable Type	Weight Lbs. (kg)	White Reel	Yellow Reel
Industrial Reel	10	250	45 (13.7)	16/3 SJO	22.9 (10.4)	HBLI45163	HBLI45163Y
				16/4 SJO	23.6 (10.7)	HBLI45164	HBLI45164Y
			35 (10.7)	16/3 SJO	22.0 (10.0)	HBLI35163	HBLI35163Y
				16/4 SJO	22.7 (10.3)	HBLI35164	HBLI35164Y
			25 (7.6)	16/3 SJO	21.2 (9.6)	HBLI25163	HBLI25163Y
				16/4 SJO	21.8 (9.9)	HBLI25164	HBLI25164Y
Industrial Reel	15	250	45 (13.7)	14/3 SJO	24.0 (10.9)	HBLI45143	HBLI45143Y
				14/4 SJO	25.4 (11.5)	HBLI45144	HBLI45144Y
			35 (10.7)	14/3 SJO	22.9 (10.4)	HBLI35143	HBLI35143Y
				14/4 SJO	24.0 (10.9)	HBLI35144	HBLI35144Y
			25 (7.6)	14/3 SJO	21.8 (9.9)	HBLI25143	HBLI25143Y
				14/4 SJO	22.7 (10.3)	HBLI25144	HBLI25144Y
Industrial Reel	20	250	45 (13.7)	12/3 SJO	26.5 (12.0)	HBLI45123	HBLI45123Y
				12/4 SJO	29.8 (13.5)	HBLI45124	HBLI45124Y
			35 (10.7)	12/3 SJO	24.9 (11.3)	HBLI35123	HBLI35123Y
				12/4 SJO	26.5 (12.0)	HBLI35124	HBLI35124Y
			25 (7.6)	12/3 SJO	23.4 (10.6)	HBLI25123	HBLI25123Y
				12/4 SJO	24.5 (11.1)	HBLI25124	HBLI25124Y
Industrial Reel	30	250	45 (13.7)	10/3 SJO	32.4 (14.7)	HBLI45103	HBLI45103Y
				10/4 SJO	33.7 (15.3)	HBLI40104	HBLI40104Y
			35 (10.7)	10/3 SJO	30.0 (13.6)	HBLI35103	HBLI35103Y
				10/4 SJO	32.2 (14.6)	HBLI35104	HBLI35104Y
			25 (7.6)	10/3 SJO	26.0 (11.8)	HBLI25103	HBLI25103Y
				10/4 SJO	29.1 (13.2)	HBLI25104	HBLI25104Y

Dimensions in Inches (mm)

Cable, Cord and Hose Reels



Features and Benefits

inREACH™ Industrial Cord Reels

- Durable, corrosion resistant cast aluminum construction
- Yellow or white powder coat finish
- Multi-position guide arm can be mounted in two positions
- Positive latch mechanism automatically maintains desired cord length
- Ratchet lock can be disengaged in field for constant tension applications
- 16–10 AWG, 3 & 4 conductor cord for greater current carrying capacity
- Available in 25ft, 35ft and 45ft lengths



HBLI45123C20

inREACH™ Industrial Cord Reels Connector Ends

Description		Amps	Volts AC	Cable Length		Weight Lbs. (kg)	Catalog Number
				Feet (m)	Cable Type		
White Industrial Reel	with HBL5269C	15	250	45 (13.7)	14/3 SJO	24.0 (10.9)	HBLI45143C15
	with HBL5369C	20	250	45 (13.7)	12/3 SJO	26.5 (12.0)	HBLI45123C20
	with HBL2313					26.5 (12.0)	HBLI45123TL20
White Industrial Reel with Yellow Portable Outlet Box	(1) 15A Duplex Receptacle	15	250	45 (13.7)	14/3 SJO	26.5 (12.0)	HBLI45143R15
	(2) 15A Duplex Receptacles					26.5 (12.0)	HBLI45143R215
	GFCI Module and (1) 15A Duplex Receptacle	15	250	45 (13.7)	14/3 SJO	26.5 (12.0)	HBLI45143GF15
	GFCI Module and (2) 15A Duplex Receptacles					26.5 (12.0)	HBLI45143GF215
White Industrial Reel with Black Portable Outlet Box	(1) 15A Duplex Receptacle	15	250	45 (13.7)	14/3 SJO	26.5 (12.0)	HBLI45143R15M1
	(2) 15A Duplex Receptacles					26.5 (12.0)	HBLI45143R215M1
	GFCI Module and (2) 15A Duplex Receptacles	15	250	45 (13.7)	14/3 SJO	26.5 (12.0)	HBLI45143GF215M1
White Industrial Reel with Yellow Portable Outlet Box	(1) 20A Duplex Receptacle	20	250	45 (13.7)	12/3 SJO	26.5 (12.0)	HBLI45123R20
	(2) 20A Duplex Receptacles					26.5 (12.0)	HBLI45123R220
	GFCI Module and (1) 20A Duplex Receptacle	20	250	45 (13.7)	12/3 SJO	26.5 (12.0)	HBLI45123GF20
	GFCI Module and (2) 20A Duplex Receptacles					26.5 (12.0)	HBLI45123GF220
White Industrial Reel with Black Portable Outlet Box	(1) 20A Duplex Receptacle	20	250	45 (13.7)	12/3 SJO	26.5 (12.0)	HBLI45123R20M1
	(2) 20A Duplex Receptacles					26.5 (12.0)	HBLI45123R220M1
	GFCI Module and (2) 20A Duplex Receptacles	20	250	45 (13.7)	12/3 SJO	26.5 (12.0)	HBLI45123GF220M1



HBLI45123R20M1

Note: 15A reels are supplied with HBL5266C on the power supply cord. 20A reels are supplied with HBL5366C on the power supply cord. For shorter cable lengths, modify length indication in catalog number (i.e. HBL1XX); 35ft & 25ft lengths are available. For yellow reel, add 'Y' suffix to catalog number.

inREACH™ Accessories

Description	Weight Lbs. (kg)	Catalog Number
Mounting bracket	2.5 (1.1)	HBLIMB
340° pivot base	3.5 (1.1)	HBLI340PB
Replacement stop.	.2 (.09)	HBLI16BS
		HBLI14BS
		HBLI12BS
		HBLI10BS



Dimensions in Inches (mm)

Labor Savings are inREACH™!



Features and Benefits

inREACH™ Industrial Weatherproof Cord Reels

- UL Type 4
- 600V AC, SOW Type Cable
- Durable, corrosion resistant cast aluminum construction design with yellow or white powder coat finish
- Multi-position guide arm
- Positive-latch mechanism automatically maintains desired cord length
- 16–10 AWG, 3 & 4 conductor cord for greater current carrying capacity



HBLW45103

inREACH™ Industrial Weatherproof Cord Reels



HBLW45163W



HBLW35143



HBLW45103

Description	Amps	Volts AC	Cable Length Feet (m)	Cable Type	Weight Lbs. (kg)	Yellow Reel	White Reel
Weatherproof Industrial Reel	10	600	45 (13.7)	16/3 SOW	23.6 (10.7)	HBLW45163	HBLW45163W
				16/4 SOW	25.6 (11.6)	HBLW45164	HBLW45164W
	35 (10.7)	16/3 SOW	22.5 (10.2)	HBLW35163	HBLW35163W		
		16/4 SOW	23.1 (10.5)	HBLW35164	HBLW35164W		
	25 (7.6)	16/3 SOW	21.4 (9.7)	HBLW25163	HBLW25163W		
		16/4 SOW	21.8 (9.9)	HBLW25164	HBLW25164W		
Weatherproof Industrial Reel	15	600	45 (13.7)	14/3 SOW	28.2 (12.8)	HBLW45143	HBLW45143W
				14/4 SOW	30.0 (13.6)	HBLW45144	HBLW45144W
	35 (10.7)	14/3 SOW	25.1 (11.4)	HBLW35143	HBLW35143W		
		14/4 SOW	26.5 (12.0)	HBLW35144	HBLW35144W		
	25 (7.6)	14/3 SOW	22.5 (10.2)	HBLW25143	HBLW25143W		
		14/4 SOW	24.3 (11.0)	HBLW25144	HBLW25144W		
Weatherproof Industrial Reel	20	600	45 (13.7)	12/3 SOW	31.3 (14.2)	HBLW45123	HBLW45123W
				12/4 SOW	32.2 (14.6)	HBLW40124	HBLW40124W
	35 (10.7)	12/3 SOW	28.9 (13.1)	HBLW35123	HBLW35123W		
		12/4 SOW	30.6 (13.9)	HBLW35124	HBLW35124W		
	25 (7.6)	12/3 SOW	24.9 (11.3)	HBLW25123	HBLW25123W		
		12/4 SOW	27.6 (12.5)	HBLW25124	HBLW25124W		
Weatherproof Industrial Reel	30	600	40 (12.2)	10/3 SOW	33.3 (15.1)	HBLW40103	HBLW40103W
				10/4 SOW	34.2 (15.5)	HBLW35103	HBLW35103W
	35 (10.7)	10/3 SOW	31.7 (14.4)	HBLW35103	HBLW35103W		
		10/4 SOW	34.2 (15.5)	HBLW35104	HBLW35104W		
25 (7.6)	10/3 SOW	28.4 (12.9)	HBLW25103	HBLW25103W			
	10/4 SOW	30.2 (13.7)	HBLW25104	HBLW25104W			

inREACH™ Accessories

Description	Weight Lbs. (kg)	Catalog Number
Mounting bracket	2.5 (1.1)	HBLIMB
340° pivot base	3.5 (1.1)	HBLI340PB
Replacement stop.	.2 (.09)	HBLI16BS
		HBLI14BS
		HBLI12BS
		HBLI10BS

HBLIMB



HBLI340PB



HBLI16BS

Labor Savings are inREACH™!



Dimensions in Inches (mm)

Features and Benefits

Heavy Duty Industrial Weatherproof Reels

- Powder coated, solid U.S. steel construction
- Multi-position roller guide can be mounted in four different positions
- Ratchet lock can be disengaged in field for constant tension application
- UL Type 4X enclosure protects spring motor, junction box, slip ring assembly and cable entrance from hosedown or corrosion
- Optional pivot base allows 340° rotation of reel and increases range of cable to nearly any direction



HBL501242W
with HBL16PB

Heavy Duty Industrial Weatherproof Reels*

Description	Amps	Volts AC	Cable Length Feet (m)	Cable Type	Weight Lbs. (kg)	Catalog Number
14" yellow weatherproof reel	15	600	50 (15.2)	14/3 SOW-A	55 (24.9)	HBL501431W
16" weatherproof reel yellow housing white housing	20	600	50 (15.2)	12/3 SOW-A	80 (36.3)	HBL501232W HBL501232WM1
16" yellow weatherproof reel	16	600	50 (15.2)	12/4 SOW-A	86 (39.0)	HBL501242W
16" weatherproof reel yellow housing white housing	25	600	50 (15.2)	10/3 SOW-A	86 (39.0)	HBL501032W HBL501032WM1
16" yellow weatherproof reel	20	600	50 (15.2)	10/4 SOW-A	92 (41.7)	HBL501042W

Note: *All heavy duty industrial cord reels are supplied with wire leads and 3/4" NPT hub feed. Power supply cable not supplied.



HBL501232WM1



HBL501242W
with HBL16PB

Accessories

Description	Weight Lbs. (kg)	Description
14" pivot base.	5 (2.3)	HBL14PB
16" pivot base.	13 (5.9)	HBL16PB
Replacement stop.	.2 (.09)	HBLWPBS



HBL14PB



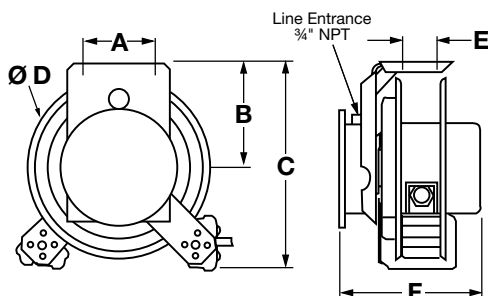
HBLWPBS

Specifications

Listing/Certification	UL 355 and CSA, C22.2 No. 308.
Environment	Type 4X enclosure, CAN/CSA - C22.2 No. 308. Dry, indoor and wet and damp outdoor non-hazardous location.

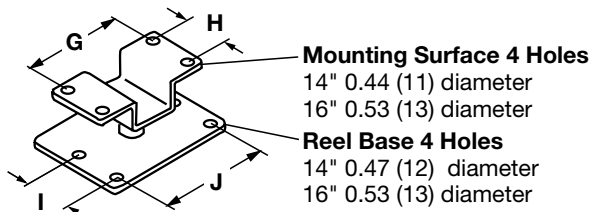
Dimensions

Inch (mm)	A	B	C	D	E	F	G	H	I	J
14" Reel	6.50" (165)	8.12" (206)	16.25" (413)	13.75" (349)	3.00" (76)	12.19" (310)	3.00" (76)	3.00" (76)	3.00" (76)	6.50" (165)
16" Reel	6.50" (165)	9.12" (232)	18.25" (464)	15.75" (400)	3.00" (76)	14.19" (360)	6.00" (152)	6.00" (152)	4.94" (125)	6.50" (165)



Pivot Base

340° Pivot Base (Optional)



Note: Pivot base for use only with Weatherproof Cable Reel.

Dimensions in Inches (mm)

Cable, Cord and Hose Reels



Stainless Steel Cord Reels



HBLSS45123

Description	Amps	Volts	Cable Length Feet (m)	Cable Type	Weight Lbs. (kg)	Catalog Number
Stainless steel reel without cord ends	20	125	45 (13.7)	#12/3 SJEO	30 (14)	HBLSS45123

Note: For indoor non-weathertight applications only.



Industrial Lighted Cord Reels, 45 Ft. (13.7m) - 16/3 AWG SJEO Cable



HBLI45163LED

Cord End	Amps	Volts AC	Watts (Max)	Weight Lbs. (kg)	Catalog Number
LED hand lamp, with end light, white reel.	0.07	120	8 + 1	22.9 (10.4)	HBLI45163LED
Fluorescent hand lamp, white reel.	0.3	120	13	22.9 (10.4)	HBLI45163FL
Incandescent hand lamp, white reel.	0.8	125	100	22.9 (10.4)	HBLI45163IN

Note: Supplied with 5 ft. power supply cord with HBL5266C, 15A straight blade plug.

For shorter cable lengths, modify length indication in catalog number (i.e. HBLIXX); 35ft & 25ft lengths are available.

For yellow reel, add 'Y' suffix to catalog number.

Accessories

Description	Amps	Volts AC	Watts (Max)	Weight Lbs. (kg)	Catalog Number
Replacement stop.	—	—	—	.2 (.09)	HBL16BS
Replacement LED hand lamp.	0.07	120	8 + 1	1 (.5)	HBL16LEDR*
Replacement fluorescent hand lamp.	0.3	120	13	1 (.5)	HBL16FLR
Replacement incandescent hand lamp.	0.8	125	100	1 (.5)	HBL16INR

Note: *cETLus Listed by INTERTEK.



HBLC40182LED



HBLC25143IN



HBLI45163FL



HBLI45163IN



HBLC40182AFL

Commercial Lighted Cord Reels



Description	Amps	Volts AC	Cable Length Feet (m)	Cable Type	Watts (Max)	Weight Lbs. (kg)	Catalog Number
White Reel with LED hand lamp, with flashlight end.	0.65	125	40 (12.2)	#18/2 SJTOW	8 + 1	8.2 (3.7)	HBLC40182LED
White Reel with non-metallic incandescent hand lamp and automatic shut off switch.	0.6	125	25 (7.6)	#16/3 SJT	75	9.0 (4.1)	HBLC25163AIN**
Yellow Reel with metallic incandescent hand lamp with receptacle.	13	125	25 (7.6)	#14/3 SJT	1,625	9.5 (4.3)	HBLC25143IN
White Reel with fluorescent hand lamp and automatic shut off switch.	0.3	120	40 (12.2)	#18/2 SJTOW	13	8.2 (3.7)	HBLC40182AFL**
White Reel with fluorescent hand lamp and in-line receptacle.	10	120	40 (12.2)	#16/3 SJT	1,200	9.0 (4.1)	HBLC40163FL

Note: **Allows the electrical cord reel installation to conform to Article 511 of the National Electric Code concerning installation of electrical devices in commercial garages, repair facilities and storage locations by positioning the switch above the defined area where hazardous fumes may collect.



HBLC40163FL

Dimensions in Inches (mm)



INTERTEK and the Intertek logo are registered trademarks of Intertek Group plc.

Features and Benefits

Commercial Cord Reels

- Durable steel construction for commercial and general purpose applications
- Compact size, flexible mounting options for ceiling, wall or bench
- Automatic ratchet lock holds cord at desired length and provides easy, smooth retraction of cord
- Attached plug for power cord requires no wiring



Commercial Cord Reels

- Durable light weight non-metallic housing
- Removable bracket allows reel to be disengaged from mount providing portability
- 40 Ft. of #12/3 cord for greater current carrying capacity
- Triple tap outlet with supplemental over current protection

Commercial Cord Reels

Description	Amps	Volts AC	Cable Length Feet (m)	Cable Type	Watts (Max)	Weight Lbs. (kg)	Catalog Number
Black Reel with triple tap outlet.	15	125	40 (12.2)	#12/3 SJTW	1,875	13.8 (6.3)	HBLC40123TT
Black Reel with wire leads.	15	125	40 (12.2)	#12/3 SJTW	1,875	13.8 (6.3)	HBLC40123
White Reel with triple tap outlet and white cord.	10	125	30 (9.1)	#16/3 SJT	1,250	8.5 (3.9)	HBLC30163TT
Yellow Reel with Hubbell HBL5969VBLK connector.	10	125	25 (7.6)	#16/3 SJT	1,250	8.5 (3.9)	HBLC25163C
Yellow Reel with wire leads.	10	125	25 (7.6)	#16/3 SJT	1,250	8.5 (3.9)	HBLC25163**
Replacement mounting bracket for 12/3 cable, commercial cord reels HBLC40123(TT).	—	—	—	—	—	.3 (.17)	HBLC12MB

Note: Reels supplied with 2 ft. power supply cord and molded on straight blade 15A plug.
 **UL Listed only.



HBLC40123TT



HBLC30163TT

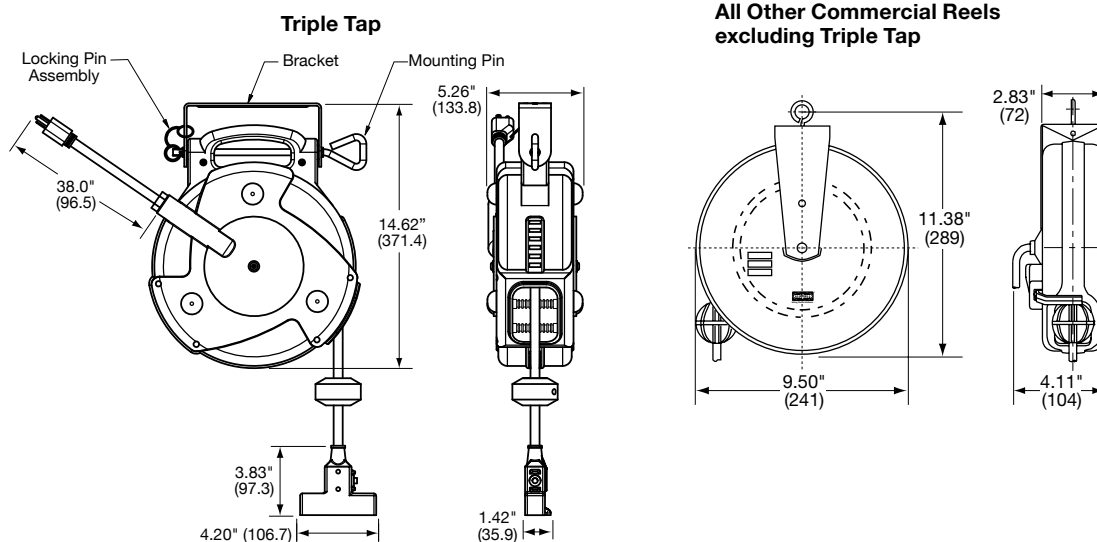


HBLC25163C

Specifications

Listing/Certification	UL 355.
Environment	Dry, indoor, non-hazardous locations.
Incandescent Lamp	75 watt max., auto switch, no receptacle; 100 watt max. bulb, with receptacle.
Fluorescent Lamp	10A/1200W max. with in-line receptacle; 13 watt without receptacle.

Dimensions



Dimensions in Inches (mm)

Features and Benefits

Air/Water Hose Reels

- Constructed of rugged steel, baked polyester finish components
- Multi-position four roller guide and adjustable hose stop
- Spring rewind and ratchet lock
- Full flow shafts and swivels assure maximum product delivery



HBLHR2535



HBL50SD

Static Discharge Reels

- Steel construction
- Compact design minimizes required installation space
- Available with steel or nylon coated steel cable
- Large grounding jaw clamp provides low resistant ground termination



HBLHR2535



HBL50SD

Air/Water Hose Reels

Description	Cable Length Feet (m)	Max Pressure Psi	Frame Size	Input Hose Fitting (NPTF)	O.D. Inch (mm)	Weight Lbs. (kg)	Catalog Number
Low pressure 1/4" ID.	35 (10.7)	300	A	1/4	0.51 (13.0)	24 (10.9)	HBLHR2535
	50 (15.2)	300	B	1/4	0.51 (13.0)	26 (11.8)	HBLHR2550
Low pressure 3/8" ID.	25 (7.6)	300	A	3/8	0.65 (16.5)	23 (10.4)	HBLHR3825
	50 (15.2)	300	C	3/8	0.65 (16.5)	36 (16.3)	HBLHR3850
	70 (21.3)	300	E	3/8	0.65 (16.5)	50 (22.7)	HBLHR3870
Low pressure 1/2" ID.	35 (10.7)	300	C	3/8	0.77 (19.6)	38 (17.2)	HBLHR5035
	50 (15.2)	300	E	3/8	0.77 (19.6)	44 (20.0)	HBLHR5050

Static Discharge Reels

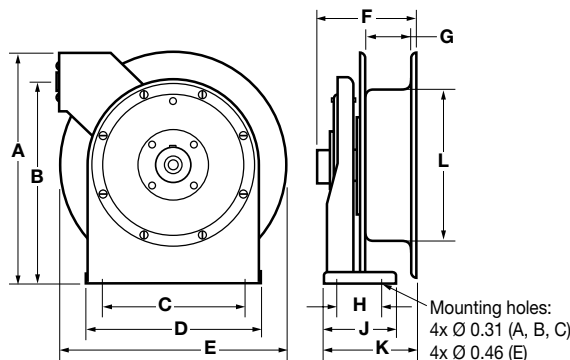
Description	Cable Length Feet (m)	Cable Type	Weight Lbs. (kg)	Catalog Number
Static discharge reel.	50 (15.2)	Single 3/32" Steel	12 (5.4)	HBL50SD
Static discharge reel.	50 (15.2)	Single 3/32" Steel Nylon Coated	13 (5.9)	HBL50SDN
Static discharge reel.	50 (15.2)*	Dual (Y) 3/32" Steel	13 (5.9)	HBL50YSD

Note: *35 ft. (10.6m) + Dual 15 ft. (4.5m) for "Y".

Dimensions

Frame size	A	B	C	D	E	F	G	H	J	K	L	M
A	12.88 (327)	11.25 (286)	8.00 (203)	9.88 (250)	12.13 (308)	5.50 (140)	2.50 (64)	2.50 (64)	4.00 (102)	5.09 (132)	8.38 (213)	—
B	14.50 (368)	12.81 (325)	9.75 (248)	11.25 (285)	13.75 (349)	6.19 (157)	3.16 (80)	2.50 (64)	4.00 (102)	5.88 (149)	8.38 (213)	—
C	17.50 (445)	15.63 (286)	9.75 (248)	11.25 (285)	16.50 (419)	6.19 (157)	3.16 (80)	2.50 (64)	4.00 (102)	5.88 (149)	10.25 (260)	—
E	20.38 (518)	18.12 (460)	7.88 (200)	9.45 (240)	19.00 (483)	6.63 (168)	3.35 (85)	3.86 (98)	5.43 (138)	6.10 (155)	11.00 (280)	9.5 (241)

Air/Water Hose Reels



Dimensions in Inches (mm)

Static Discharge Reel

