

*No matter what your need,
Hubbell will always be inREACH™!*

Hubbell's new inREACH™ plenum rated enclosure is the first of its kind, allowing customers to securely mount cord reels in drop ceilings, while isolating it from the plenum space. These enclosures are listed to UL2416, making them compliant with plenum requirements per the NEC.



FEATURES

- Steel Enclosure, White Powder Coat Surface Finish
- UL 2416 Listed; CAN/CSA C22.2 No 60950-1-07, Compliant with Plenum Requirements Per NEC300.22
- Accepts most Hubbell inREACH Industrial Cord Reels, HBLI4xxxx
- 75 lbs. Load Capacity
- 4 in. Square Electrical Box Included
- Pre-punched Knockout Hole



APPLICATIONS

Industrial/Commercial

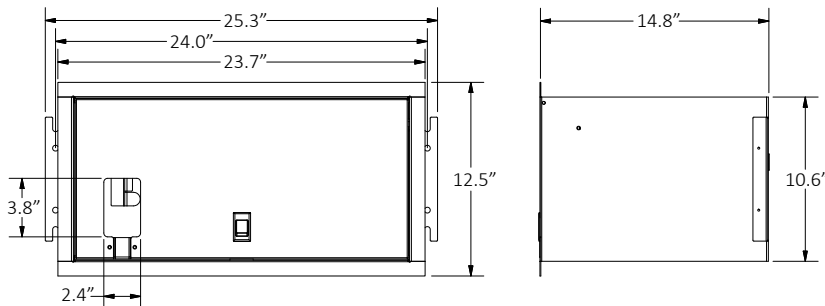
- Schools
- Laboratories
- Industrial Plants
- Offices



Plenum Rated Enclosure for inREACH™ Cord Reels

Plenum Rated Enclosure for inREACH™ Cord Reels

Description	Weight lbs. (kg)	Catalog Number
Plenum Rated Enclosure	30 lbs. (13.6)	HBLIPRBOX



HBLIPRBOX

inREACH™ Industrial Cord Reels

Description	Amps	Voltage	Cable Length ft (m)	Cable Type	Weight lbs. (kg)	Catalog Number		
White Industrial Reel without end effectors	10A	250V AC	45 (13.7)	16/3 SJO 16/4 SJO	22.9 (10.4) 23.6 (10.7)	HBLI45163 HBLI45164		
	15A	250V AC	45 (13.7)	14/3 SJO 14/4 SJO	24.0 (10.9) 25.4 (11.5)	HBLI45143 HBLI45144		
	20A	250V AC	45 (13.7)	12/3 SJO	12/3 SJO	26.5 (12.0)	HBLI45123	
					12/3 SJO	26.5 (12.0)	HBLI45123BLK*	
					12/3 SJO	26.5 (12.0)	HBLIWC45123**	
					12/4 SJO	29.8 (13.5)	HBLI45124	
	30A	250V AC	45 (13.7)	10/3 SJO	10/3 SJO	32.4 (14.7)	HBLI45103	
					10/4 SJO	33.7 (15.3)	HBLI40104	
	White Industrial Reel	with HBL5269C	15A	125V AC	45 (13.7)	14/3 SJO	24.0 (10.9)	HBLI45143C15
		with HBL5369C with HBL2313	20A	125V AC	45 (13.7)	12/3 SJO	26.5 (12.0) 26.5 (12.0)	HBLI45123C20 HBLI45123TL20
	White Industrial Reel with Yellow Portable Outlet Box	(1) 15A Duplex Receptacle (2) 15A Duplex Receptacles	15A	125V AC	45 (13.7)	14/3 SJO	24.0 (10.9) 24.0 (10.9)	HBLI45143R15 HBLI45143R215
		GFCI Module and (1) 15A Duplex Receptacle GFCI Module and (2) 15A Duplex Receptacles	15A	125V AC	45 (13.7)	14/3 SJO	24.0 (10.9) 24.0 (10.9)	HBLI45143GF15 HBLI45143GF215
White Industrial Reel with Black Portable Outlet Box	(1) 15A Duplex Receptacle (2) 15A Duplex Receptacles	15A	125V AC	45 (13.7)	14/3 SJO	24.0 (10.9) 24.0 (10.9)	HBLI45143R15M1 HBLI45143R215M1	
	GFCI Module and (2) 15A Duplex Receptacles	15A	125V AC	45 (13.7)	14/3 SJO	24.0 (10.9)	HBLI45143GF215M1	
White Industrial Reel with Yellow Portable Outlet Box	(1) 20A Duplex Receptacle (2) 20A Duplex Receptacles	20A	125V AC	45 (13.7)	12/3 SJO	26.5 (12.0) 26.5 (12.0)	HBLI45123R20 HBLI45123R220	
	GFCI Module and (1) 20A Duplex Receptacle GFCI Module and (2) 20A Duplex Receptacles	20A	125V AC	45 (13.7)	12/3 SJO	26.5 (12.0) 26.5 (12.0)	HBLI45123GF20 HBLI45123GF220	
White Industrial Reel with Black Portable Outlet Box	(1) 20A Duplex Receptacle (2) 20A Duplex Receptacles	20A	125V AC	45 (13.7)	12/3 SJO	26.5 (12.0) 26.5 (12.0)	HBLI45123R20M1 HBLI45123R220M1	
	GFCI Module and (2) 20A Duplex Receptacles	20A	125V AC	45 (13.7)	12/3 SJO	26.5 (12.0)	HBLI45123GF220M1	



inREACH™ Industrial Lighted Cord Reels

Description	Amps	Voltage	Watts (Max)	Cable Length ft (m)	Cable Type	Weight lbs. (kg)	Catalog Number	
White Industrial Reel	with LED hand lamp, with end light	0.07A	120V AC	8+1	45 (13.7)	16/3 SJO	22.9 (10.4)	HBLI45163LED
	with fluorescent hand lamp	0.3A	120V AC	13	45 (13.7)	16/3 SJO	22.9 (10.4)	HBLI45163FL
	with incandescent hand lamp	0.8A	125V AC	100	45 (13.7)	16/3 SJO	22.9 (10.4)	HBLI45163IN

Note: 15A reels are supplied with HBL5266C on the power supply cord. 20A reels are supplied with HBL5366C on the power supply cord.
For shorter cable lengths, modify length indication in catalog number (i.e. HBLIX); 35ft & 25ft lengths are available. For yellow reel, add 'Y' suffix to catalog number.
*Black cord reel. **Supplied with White cable.

inREACH™ Mounting Accessories

Description	Weight lbs. (kg)	Catalog Number
Mounting bracket	2.5 (1.1)	HBLIMB
Mounting bracket with junction box mount	3.0 (1.4)	HBLIMBJ
340° pivot base	3.5 (1.6)	HBLI340PB

